

MINIFLEX® 3-BFN L-LK-HD

机械锁扣, Hold down 设计, 较长钢琴盖, 低背(高度= 0.9 mm), 0.3 mm间距, 水平插拔, 后锁式的坚固连接器

Product Specifications:

Board Pitch (mm)	0.3	
Wiping Length (mm)	Contact A:0.9	
	Contact B:0.45	
Size (mm)	Height	0.90 +/- 0.10
	Width	Formula: Even no pos: 3.0+(0.3*?p). Odd no pos: 2.7+(0.3*?p)
	Depth	Open:2.55 Close:3.5
Pin counts	Range	11-57 (odd)
	Available	11, 40, 45

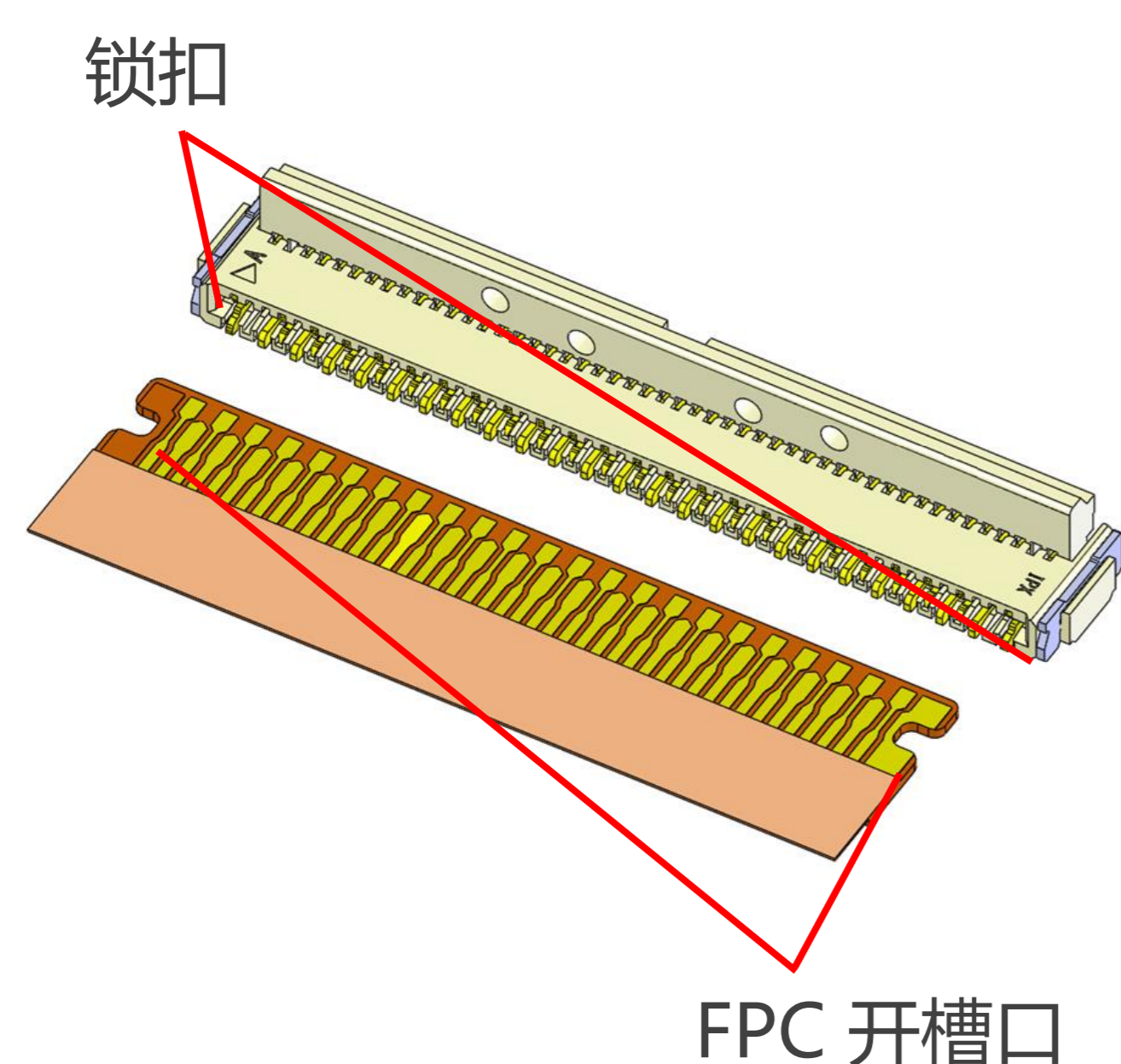
Applicable FPC/FFC:

FPC/FFC Contact Pitch	0.3
FPC/FFC Contact Point	Top and Bottom
FPC/FFC Thickness (mm)	0.2 +/- 0.03



*如您需要了解未列出或不在范围内的Pin数, 请咨询我们。

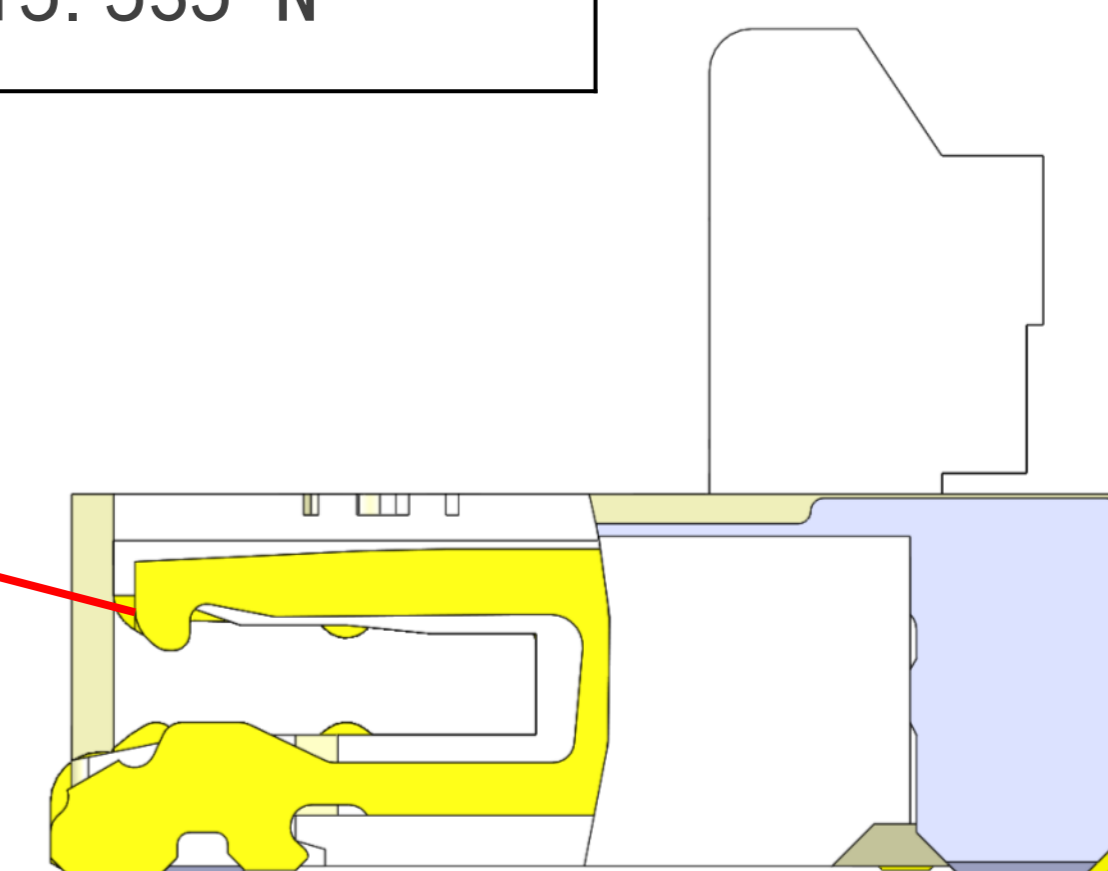
▶ 特有机械锁扣提供更大FPC保持力



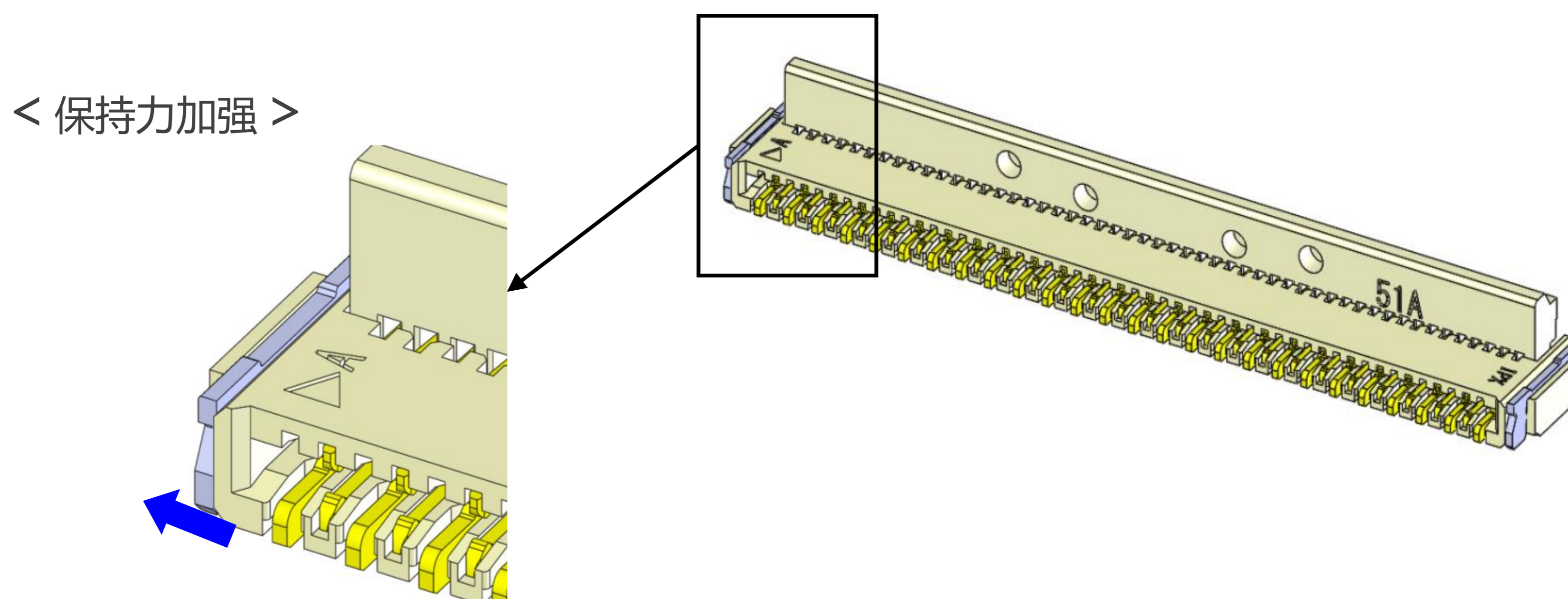
FPC 保持力比较 (45 p)

MINIFLEX® 3-BFN L-LK-HD	MINIFLEX® 3-BFN Long
20.710 N	15.535 N

FPC 锁扣机制维持
FPC高保持力



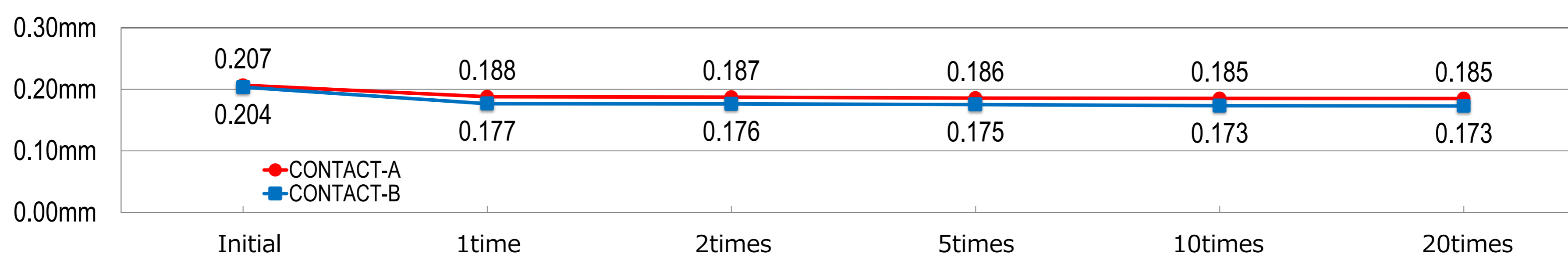
▶ 金属补强设计, 加强树脂侧壁强度



▶ 在没有插入 FPC 的情况下闭合钢琴盖, 连接器仍可使用

在 SMT 加工后, 如果钢琴盖在没有插入 FPC 的情况下意外闭合, 连接器仍可使用

- FPC 未插入情况下闭合钢琴盖, 其前后的接点间距离比较如图(图表为 MINIFLEX® 3-BFN L-LK-HD 51 pins)



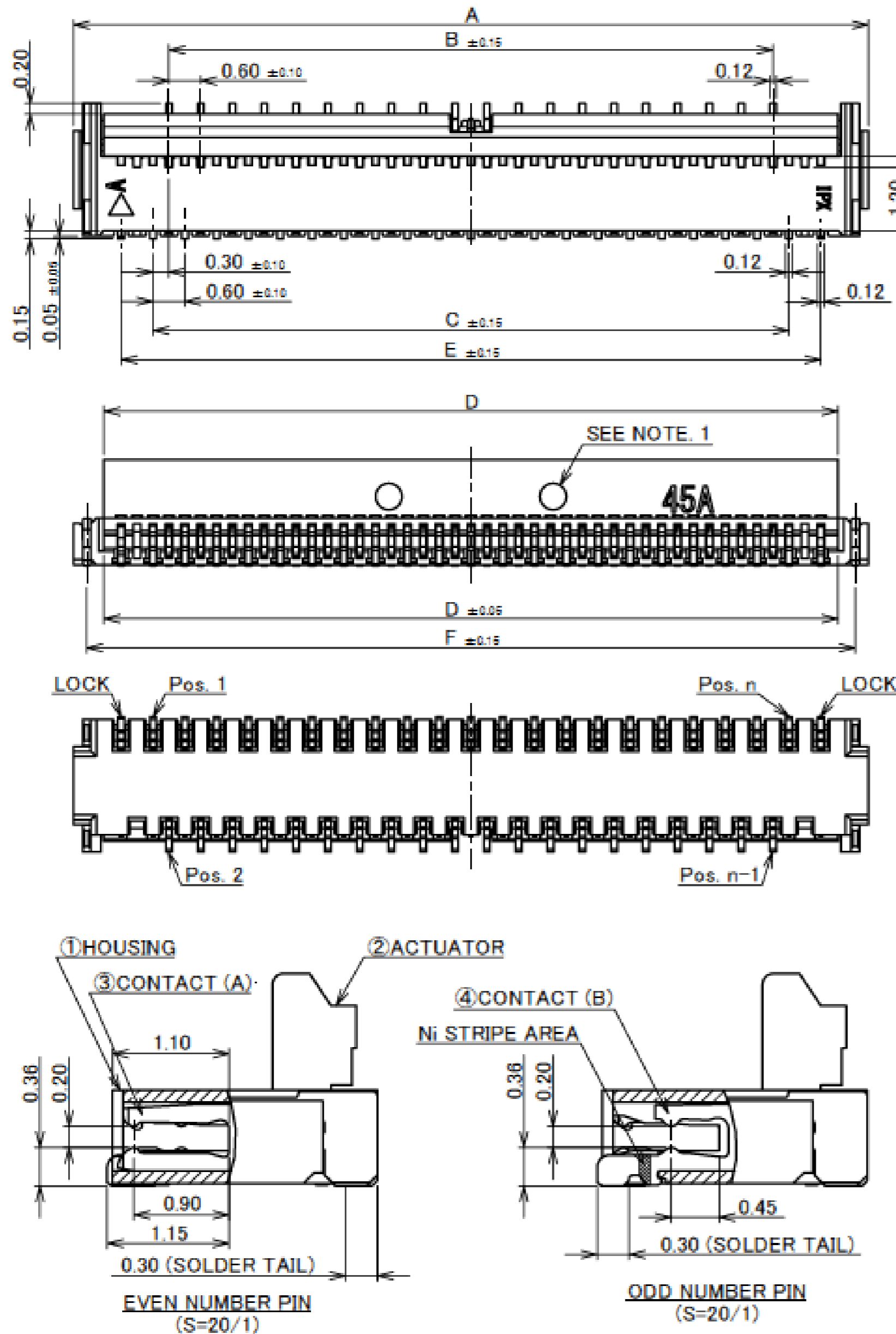
- FPC插入力上升
- FPC保持力无太大变化

Component Parts Details

Connector Assembly

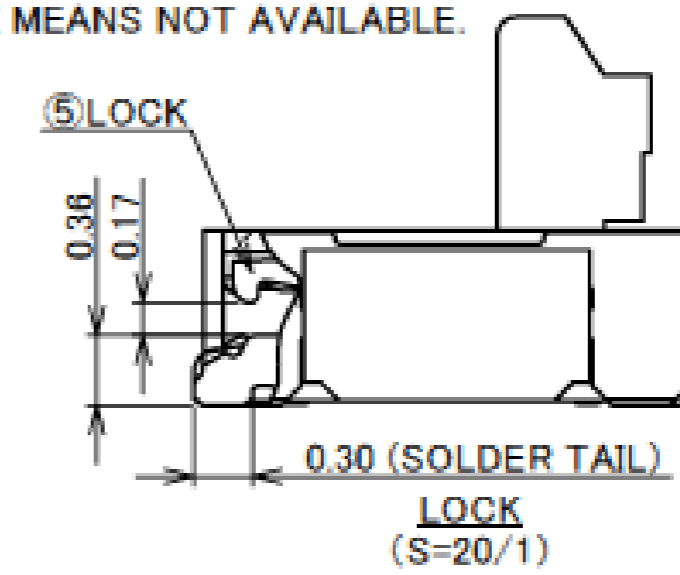
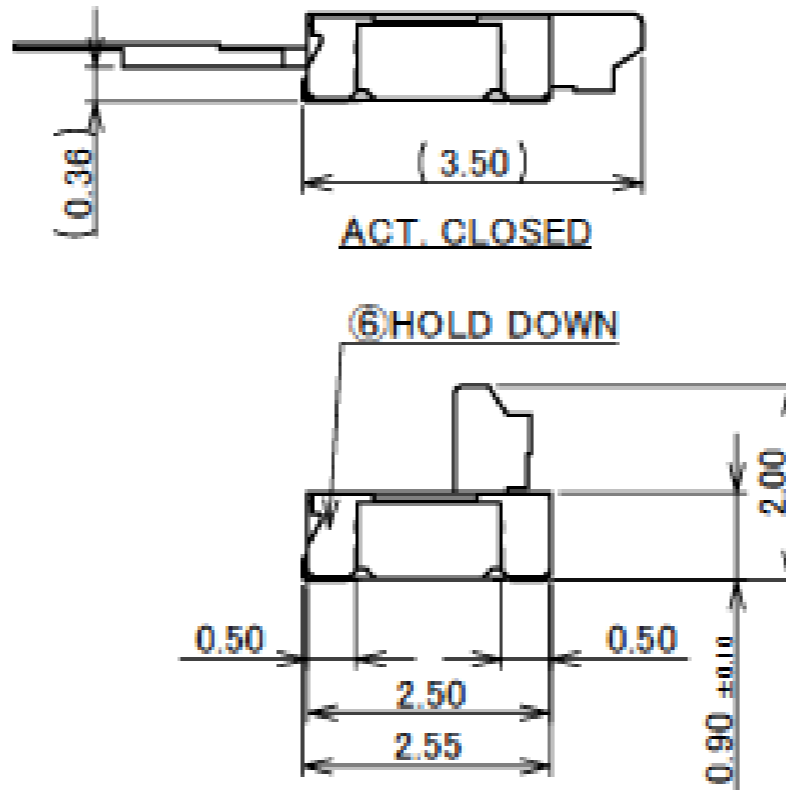
Recommended P/N 20655-0**E-01

ODD NUMBER POS.



PART NO.	Pos.	A	B	C	D	E	F
20655-011E-01	11P	6.00	2.40	3.00	4.85	4.20	5.50
◆20655-029E-01	29P	11.40	7.80	8.40	10.25	9.60	10.90
◆20655-031E-01	31P	12.00	8.40	9.00	10.85	10.20	11.50
◆20655-035E-01	35P	13.20	9.60	10.20	12.05	11.40	12.70
◆20655-037E-01	37P	13.80	10.20	10.80	12.65	12.00	13.30
◆20655-041E-01	41P	15.00	11.40	12.00	13.85	13.20	14.50
20655-045E-01	45P	16.20	12.60	13.20	15.05	14.40	15.70
◆20655-047E-01	47P	16.80	13.20	13.80	15.65	15.00	16.30
◆20655-051E-01	51P	18.00	14.40	15.00	16.85	16.20	17.50
◆20655-053E-01	53P	18.60	15.00	15.60	17.45	16.80	18.10
◆20655-057E-01	57P	19.80	16.20	16.80	18.65	18.00	19.30

◆ MARK MEANS NOT AVAILABLE.



NOTES:
 1. THIS DENT SHAPE IS PURPOSED FOR GOOD INJECTION QUALITY. THIS DENT SHAPE WILL NOT AFFECT CONNECTR FUNCTION. DENT SHAPE SHOWN ON DRAWING IS JUST FOR REFERENCE. DENT SHAPE AND QUANTITY MIGHT CHABGE FROM DIFFERENT PIN COUNT AND DIFFERENT TOOLING.
 2. CONTACT POINT: TOP AND BOTTOM CONTACT

CAUTION VISIT OUR WEBSITE FOR LATEST VERSIONS OF INSTRUCTION MANUAL NO. HIM-12007 TO HANDLE THE PRODUCT PROPERLY AND SAFELY.

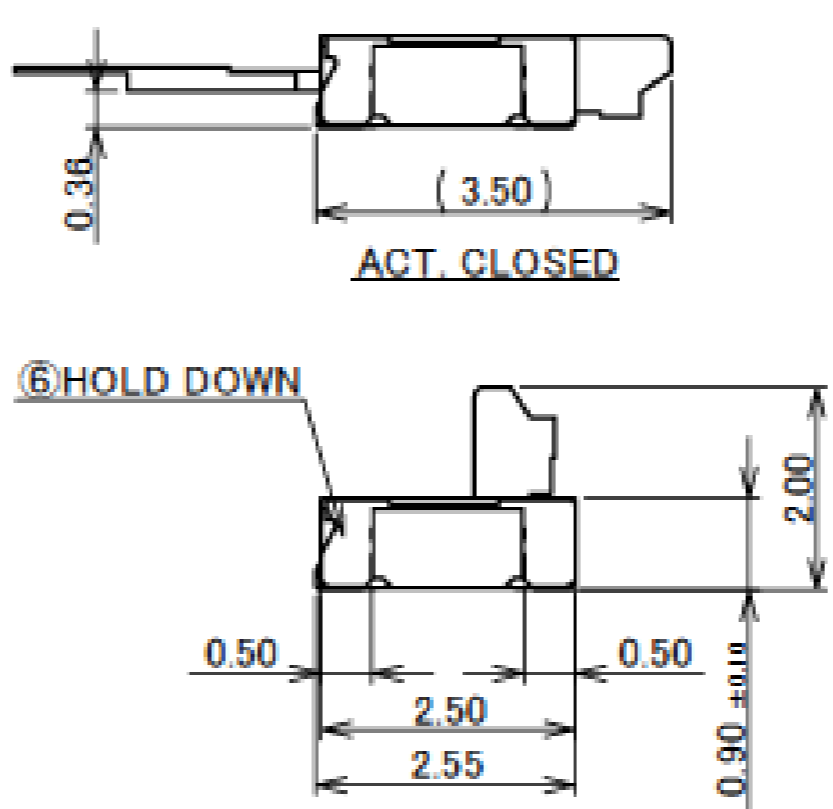
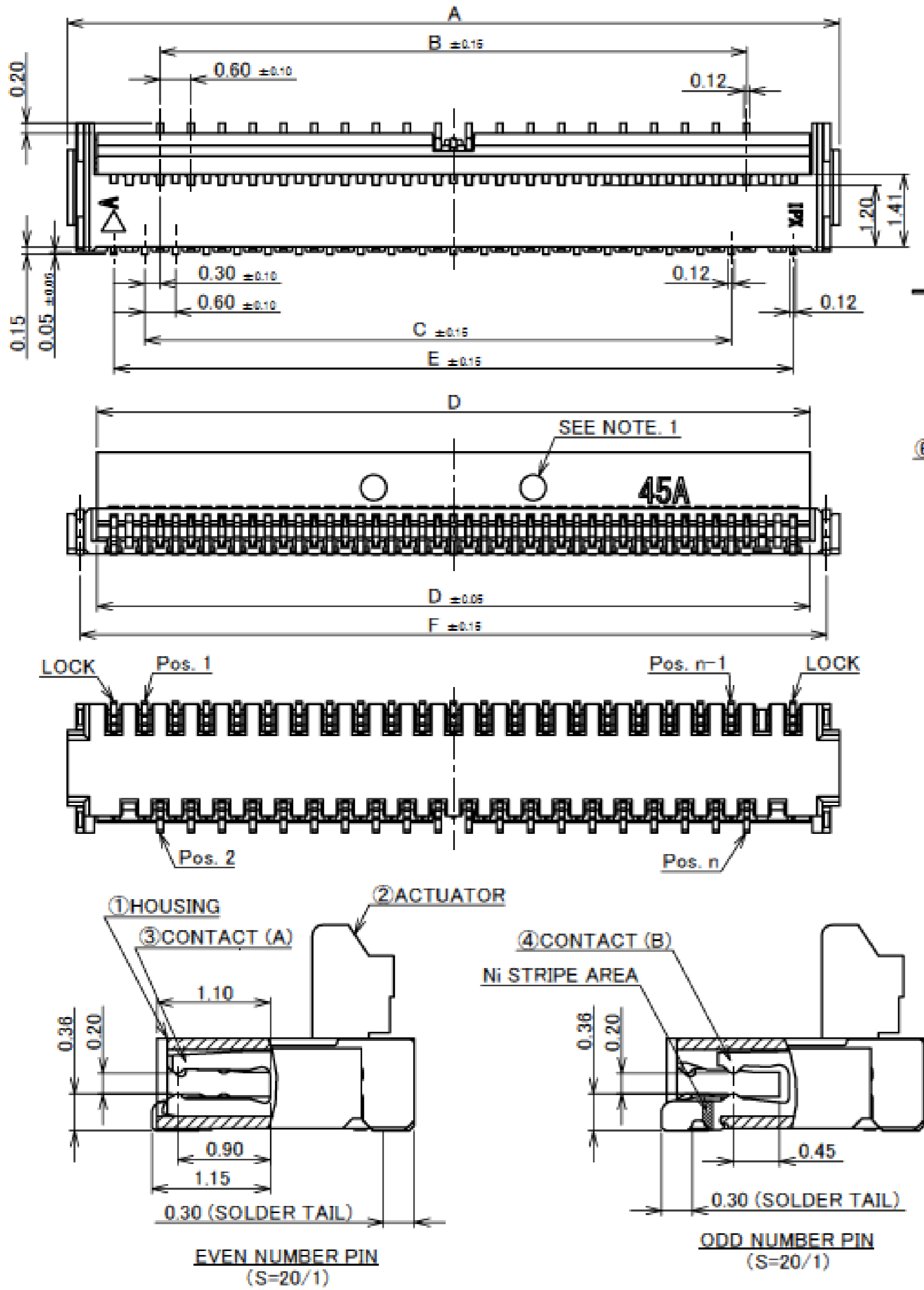
TABLE 1

PART NO.	FINISH		
20655-0**E-01	CONTACT AREA : Au 0.10 μm MIN. OVER Ni 1.00 μm MIN. SOLDERING AREA : Au 0.03 μm MIN. OVER Ni 1.00 μm MIN.		
6	HOLD DOWN	PHOSPHOR BRONZE Sn 2~6 μm OVER Ni 1.00 μm MIN.	
5	LOCK	PHOSPHOR BRONZE SOLDERLING AREA: Au 0.03 μm MIN. OVER Ni 1.00 μm MIN.	
4	CONTACT (B)	PHOSPHOR BRONZE SEE TABLE 1, WITH Ni STRIPE	
3	CONTACT (A)	PHOSPHOR BRONZE SEE TABLE 1	
2	ACTUATOR	LCP UL94V-0, BEIGE	
1	HOUSNIG	LCP UL94V-0, BEIGE	
NO.	DISCRIPTION	MATERIAL	FINISH, REMARKS

Connector Assembly

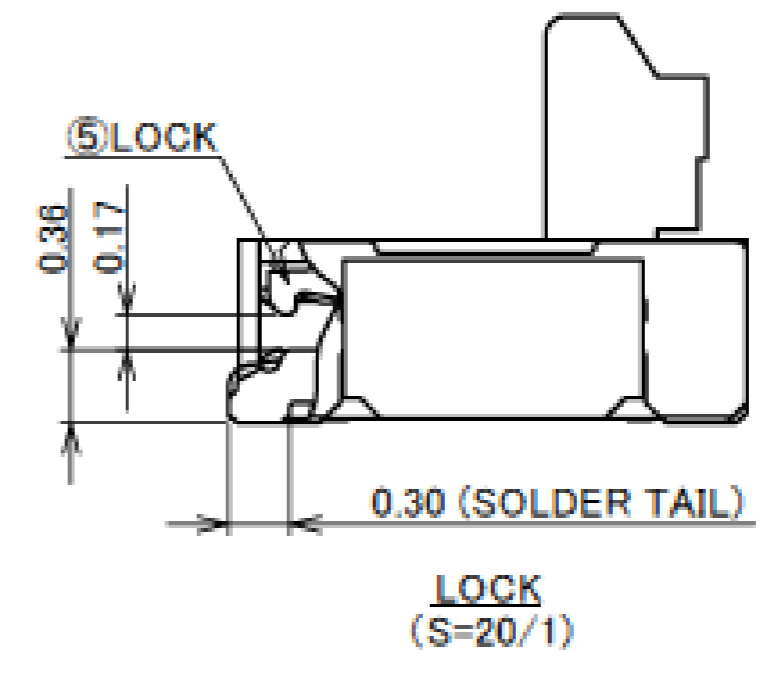
Recommended P/N 20655-0**E-01

EVEN NUMBER POS.



PART NO.	Pos.	A	B	C	D	E	F
◆20655-030E-01	30P	12.00	8.40	8.40	10.85	10.20	11.50
◆20655-040E-01	40P	15.00	11.40	11.40	13.85	13.20	14.50
◆20655-050E-01	50P	18.00	14.40	14.40	16.85	16.20	17.50

◆MARK MEANS NOT AVAILABLE.

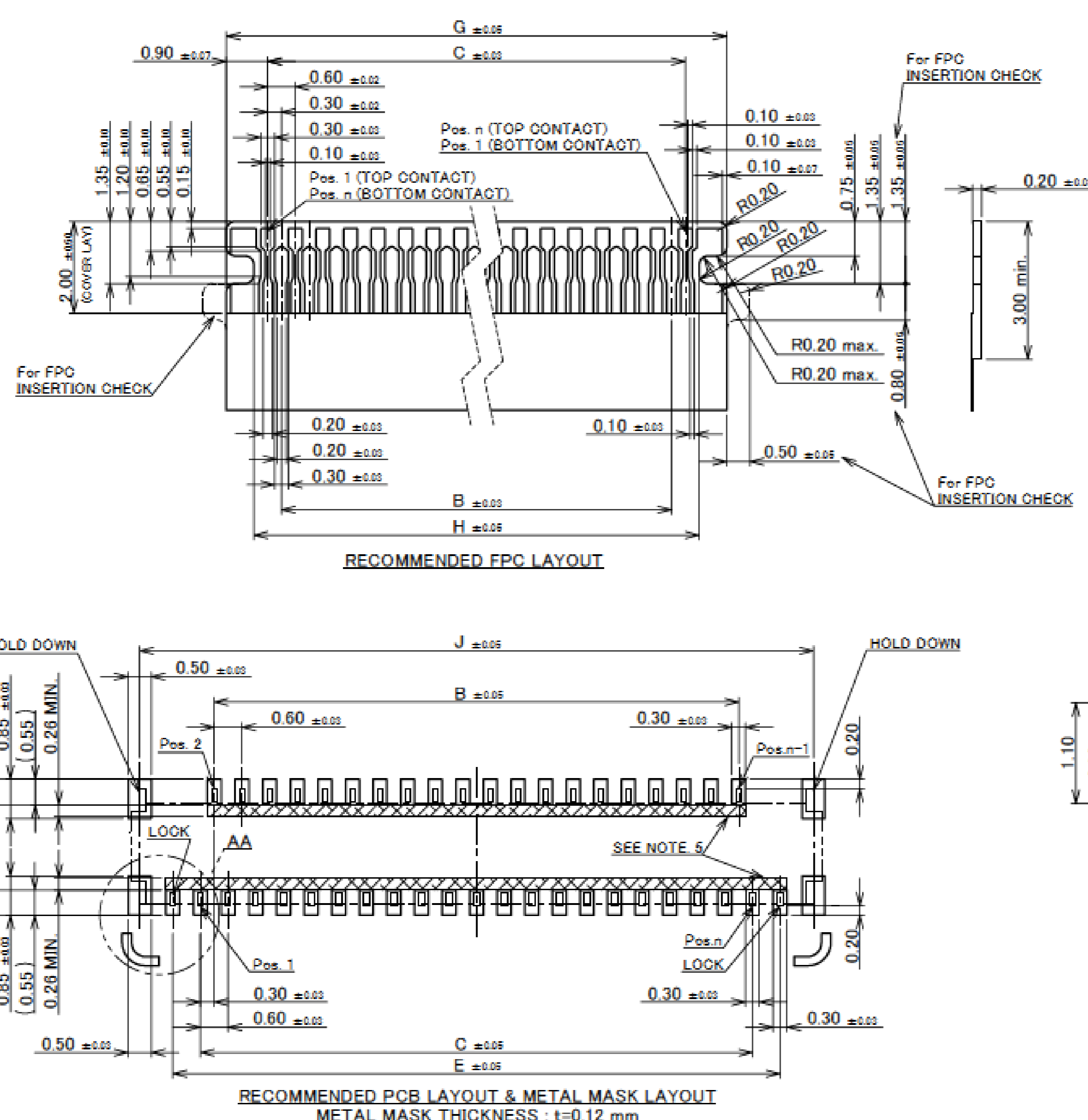


NOTES:
 1. THIS DENT SHAPE IS PURPOSED FOR GOOD INJECTION QUALITY. THIS DENT SHAPE WILL NOT AFFECT CONNECTOR FUNCTION. DENT SHAPE SHOWN ON DRAWING IS JUST FOR REFERENCE. DENT SHAPE AND QUANTITY MIGHT CHANGE FROM DIFFERENT PIN COUNT AND DIFFERENT TOOLING.
 2. CONTACT POINT: TOP AND BOTTOM CONTACT

CAUTION VISIT OUR WEBSITE FOR LATEST VERSIONS OF INSTRUCTION MANUAL NO. HIM-12007 TO HANDLE THE PRODUCT PROPERLY AND SAFELY.

Rev.9

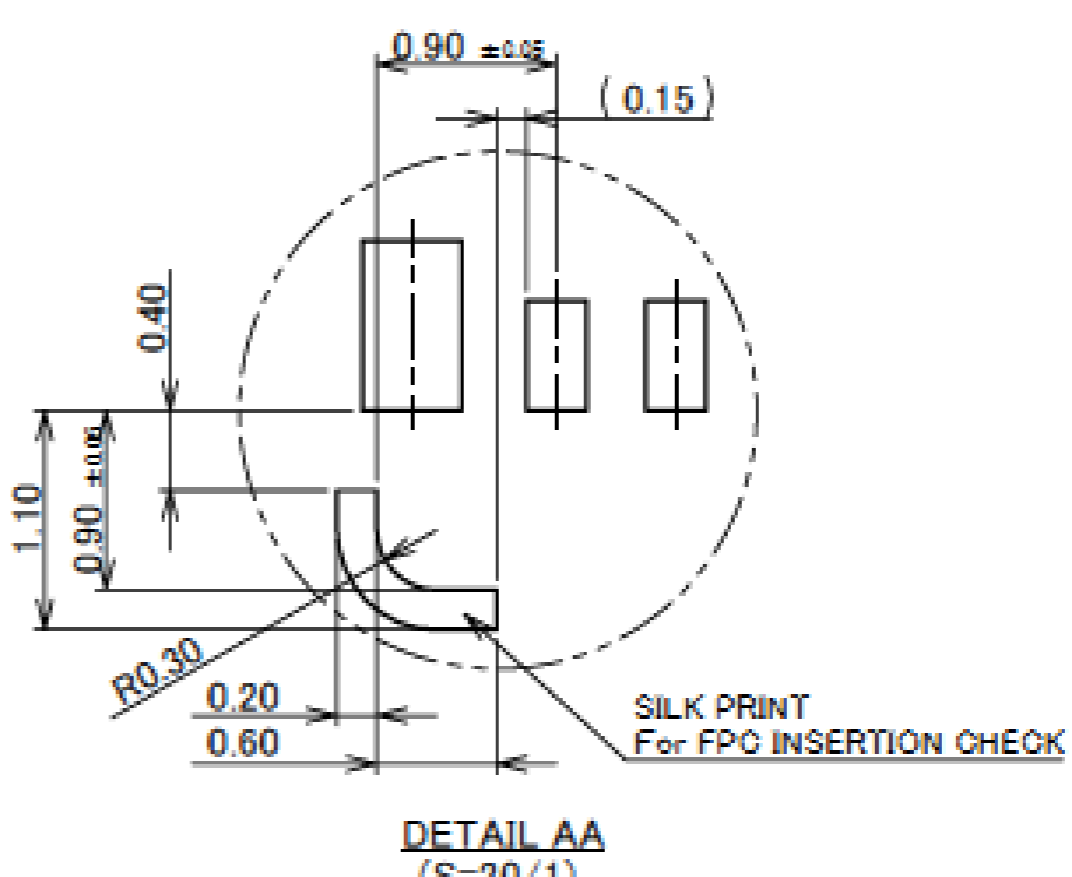
ODD NUMBER POS.



PART NO.	Pos.	B	C	E	G	H	J
20655-011E-01	11P	2.40	3.00	4.20	4.80	3.60	5.65
◆20655-029E-01	29P	7.80	8.40	9.60	10.20	9.00	11.05
◆20655-031E-01	31P	8.40	9.00	10.20	10.80	9.60	11.65
◆20655-035E-01	35P	9.60	10.20	11.40	12.00	10.80	12.85
◆20655-037E-01	37P	10.20	10.80	12.00	12.60	11.40	13.45
◆20655-041E-01	41P	11.40	12.00	13.20	13.80	12.60	14.65
◆20655-045E-01	45P	12.60	13.20	14.40	15.00	13.80	15.85
◆20655-047E-01	47P	13.20	13.80	15.00	15.60	14.40	16.45
◆20655-051E-01	51P	14.40	15.00	16.20	16.80	15.60	17.65
◆20655-053E-01	53P	15.00	15.60	16.80	17.40	16.20	18.25
◆20655-057E-01	57P	16.20	16.80	18.00	18.60	17.40	19.45

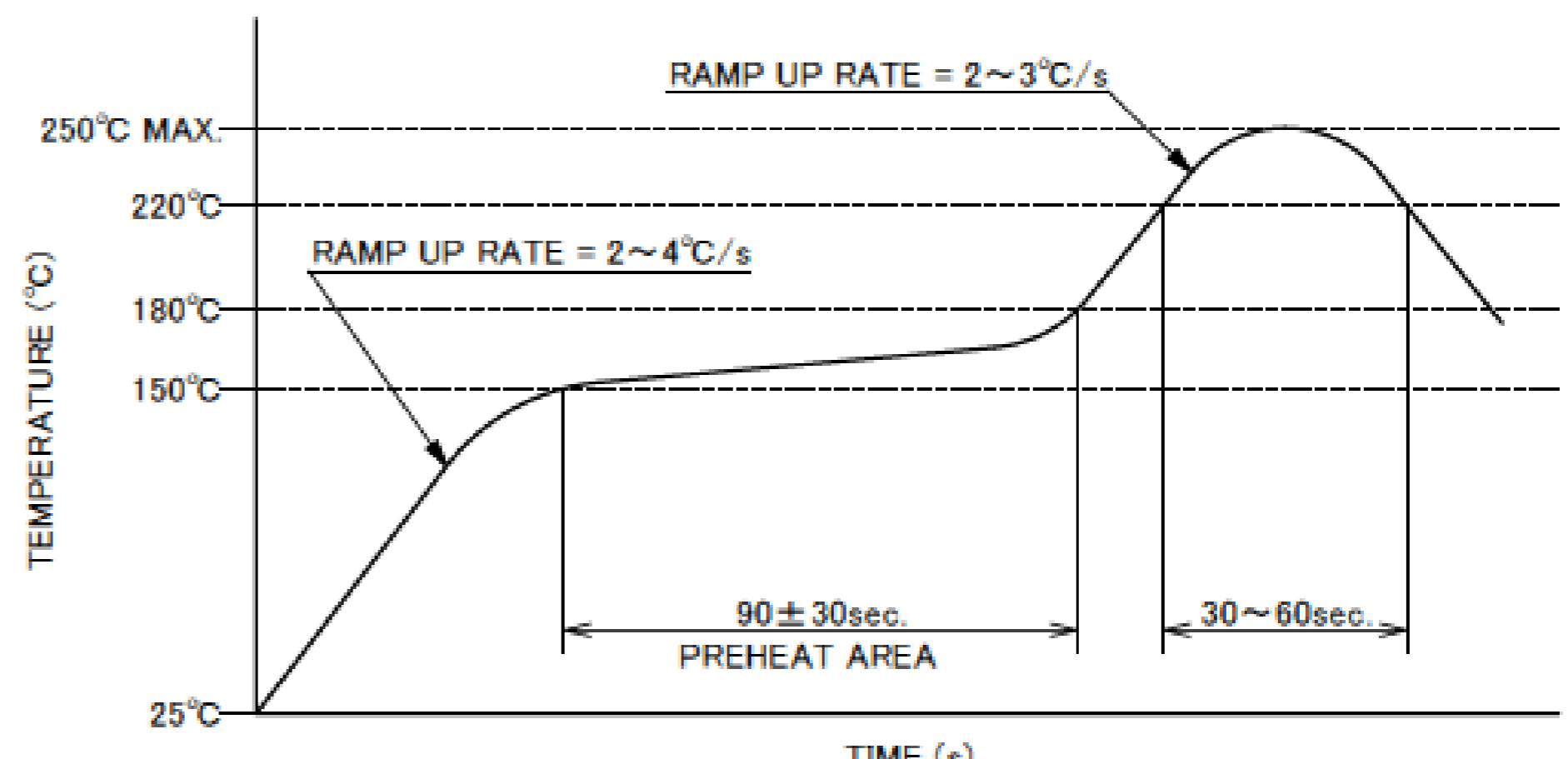
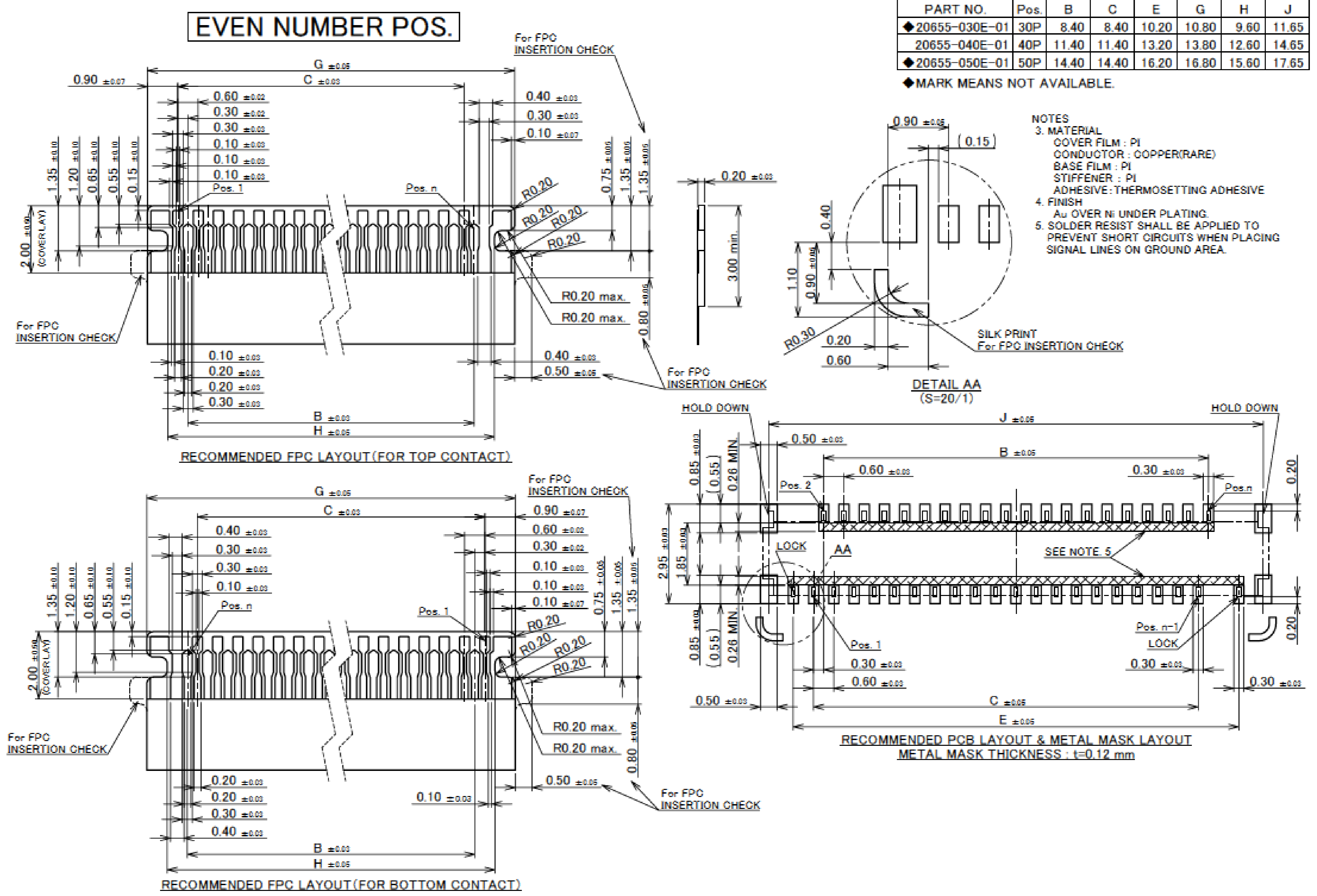
◆MARK MEANS NOT AVAILABLE.

NOTES:
 3. MATERIAL
 COVER FILM: PI
 CONDUCTOR: COPPER(RARE)
 BASE FILM: PI
 STIFFENER: PI
 ADHESIVE: THERMOSETTING ADHESIVE
 4. FINISH
 Au OVER Ni UNDER PLATING.
 5. SOLDER RESIST SHALL BE APPLIED TO PREVENT SHORT CIRCUITS WHEN PLACING SIGNAL LINES ON GROUND AREA.



Rev.9

Connector Assembly



Rev.9

Connector Assembly

ITEMS	SPECIFICATION
RATING VOLTAGE	50V AC/DC (PER CONTACT)
RATING AMPERAGE	0.3A DC (PER CONTACT)
OPERATING TEMPERATURE	233~358K(-40°C~85°C)
OPERATING HUMIDITY	20~80%RH (NON-CONDENSING)
CONTACT RESISTANCE	INITIAL : 60mohm MAX. / AFTER TEST : \triangleleft 40mohm MAX.
INSULATION RESISTANCE	100Mohm MIN.
DIELECTRIC WITHSTANDING VOLTAGE	AC250V 1min
DURABILITY	20 CYCLES
ACTUATOR LOCKING FORCE (INITIAL / 20TH CYCLES)	INITIAL / 20 CYCLES 0.21N (21gf) \times (n + 2) MAX.
ACTUATOR UNLOCKING FORCE (INITIAL / 20TH CYCLES)	INITIAL / 20 CYCLES 0.014N (1.4gf) \times (n + 2) MIN.
FPC RETENTION FORCE (INITIAL / AFTER TEST)	INITIAL: 0.13N (13gf) \times n + 1.0N MIN. / AFTER TEST: 0.10N (10gf) \times n + 1.0N MIN.
COPLANARITY	0.10 MAX.
PRODUCT SPECIFICATION	PRS-2077
TEST REPORT	TR-15027
PACKING STANDARD	PST-15018
INSTRUCTION MANUAL	HIM-12007
APPEARANCE CRITERIA No.	QLS-A***

※ "n" IS THE NUMBER OF PIN


Rev.9

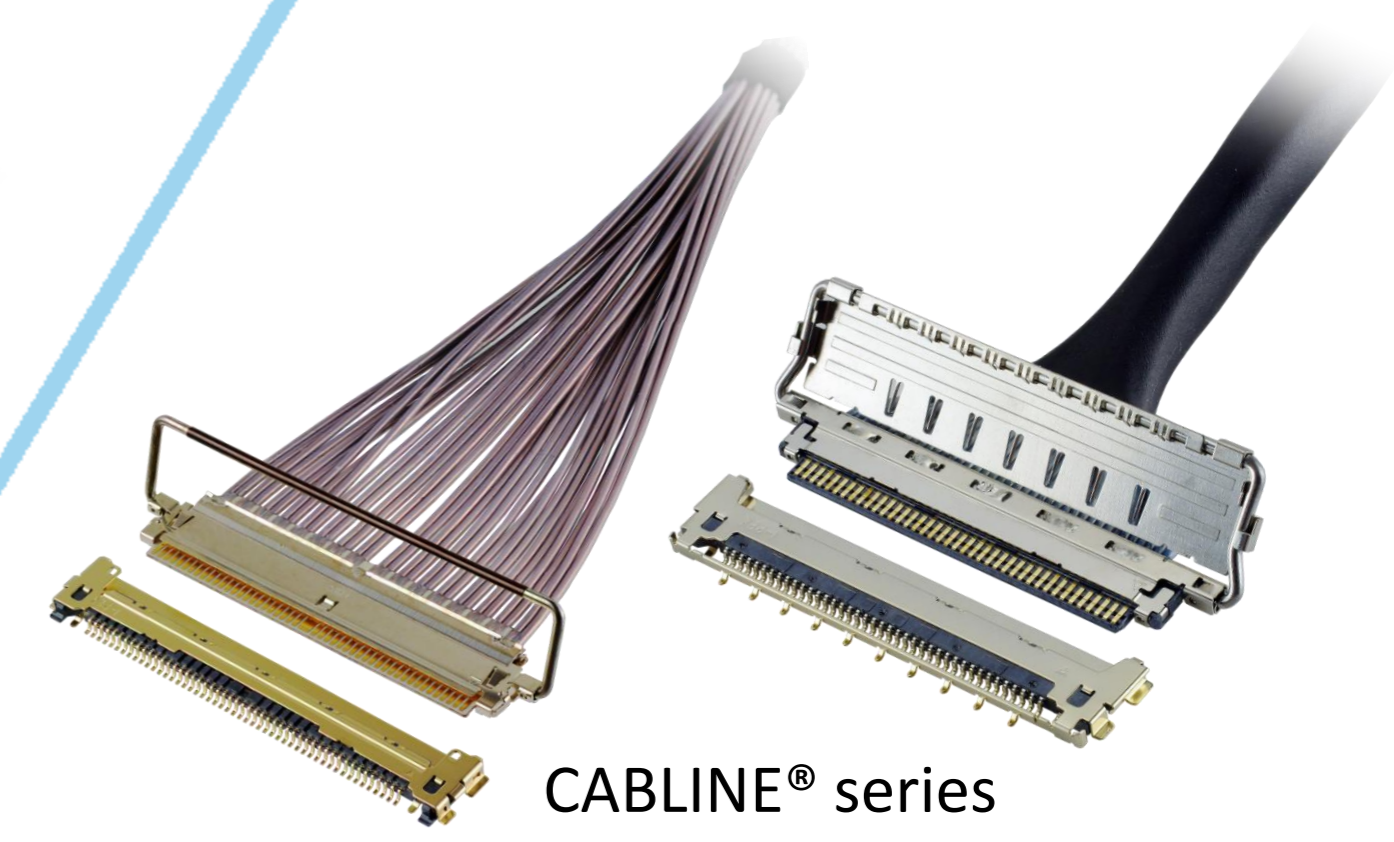
Custom Connectors Available

 RF Connector

MHF® series



 CABLINE® series
Micro-coaxial/Twinax/
Discrete Wire Connector



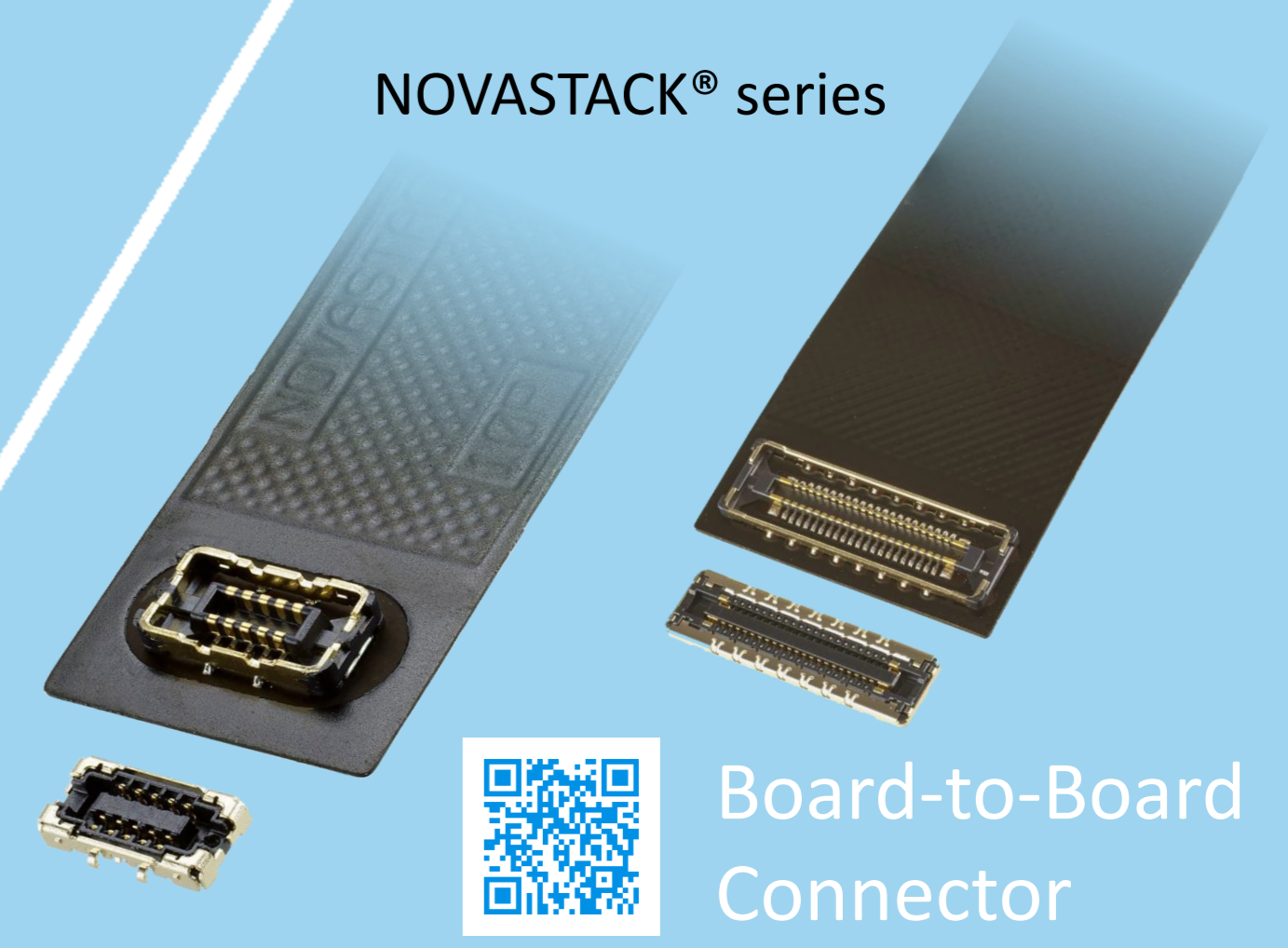
 Optical Module

LIGHTPASS® series



NOVASTACK® series

 Board-to-Board Connector



 Power Connector/
Terminal

AP series

ISH® series



MINIFLEX® series

EVAFLEX® series

 FPC FFC Connector

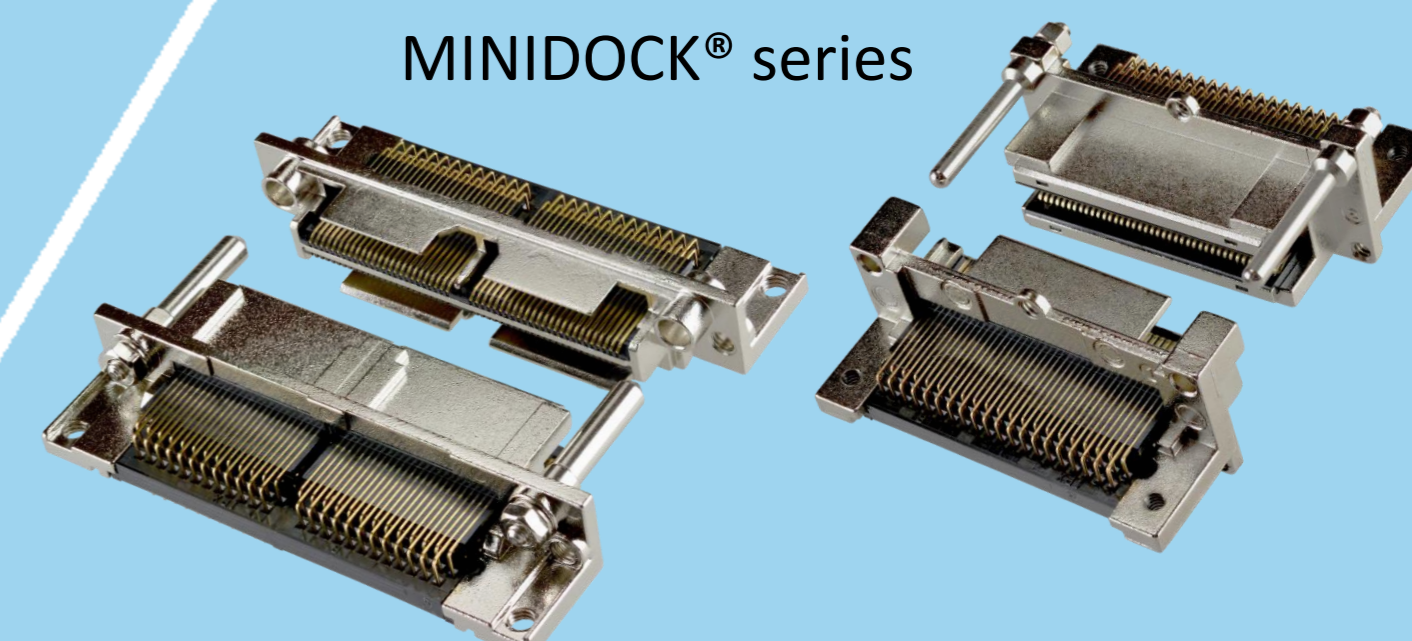


Inquiry



MINIDOCK® series

 I/O Connector



I-PEX, MHF, CABLINE, LIGHTPASS, NOVASTACK, ISH, IARPB, MINIFLEX, EVAFLEX, MINIDOCKS and ZenShield are registered trademarks of I-PEX Inc. Please note that the contents in the catalog might be changed without prior notification. I-PEX Inc. assumes no responsibility for any inaccuracies or obligation to update information on these documents. Please be sure to read and understand the latest "Precautions for Use" and "Instruction Manual" before you use our products. We shall not be responsible for any defects, damages or troubles in case you use our products without following the precautions for use. Please feel free to contact our sales representatives when you use our products for any applications that require very high reliability and safety, or that relate to human life (ex. nuclear power control, aerospace, transportation, medical equipment, safety equipment etc.).

Contact your sales representative or more detailed information.

www.i-pex.com



I-PEX

© I-PEX Inc. 2024
All rights reserved