

MINIFLEX® 3-BFN L-LK-HD

メカニカルロック、ホールドダウンによる堅牢性、ロングアクチュエータ、低背（高さ = 0.9 mm）、0.3 mmピッチ、水平嵌合、バックフリップ

Product Specifications:

Board Pitch (mm)	0.3	
Wiping Length (mm)	Contact A:0.9	
	Contact B:0.45	
Size (mm)	Height	0.90 +/- 0.10
	Width	Formula: Even no pos: 3.0+(0.3*?p), Odd no pos: 2.7+(0.3*?p)
	Depth	Open:2.55 Close:3.5
Pin counts	Range	11-57 (odd)
	Available	11, 40, 45

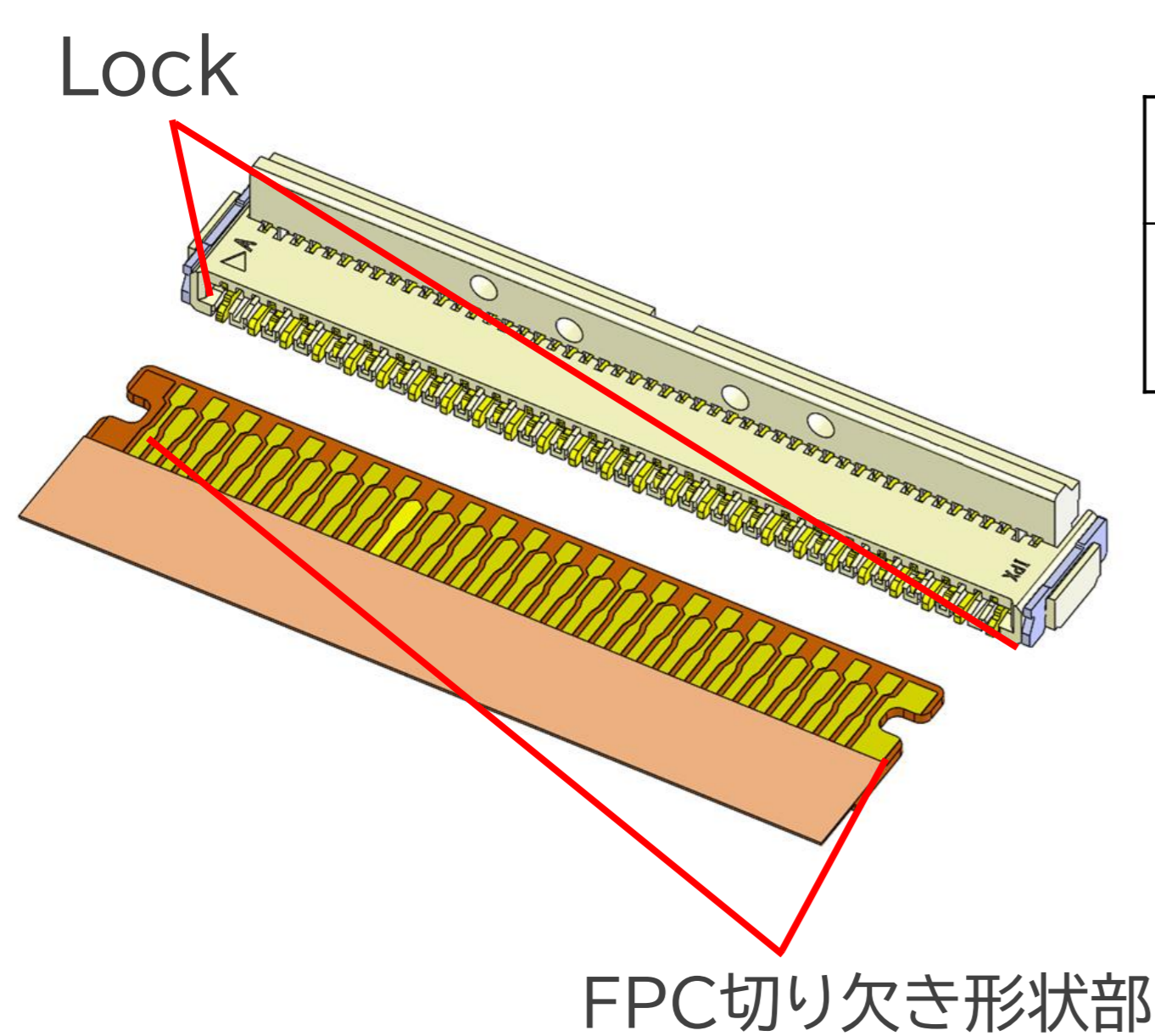
Applicable FPC/FFC:

FPC/FFC Contact Pitch	0.3
FPC/FFC Contact Point	Top and Bottom
FPC/FFC Thickness (mm)	0.2 +/- 0.03



*記載のない極数の対応状況についてはお問い合わせください。

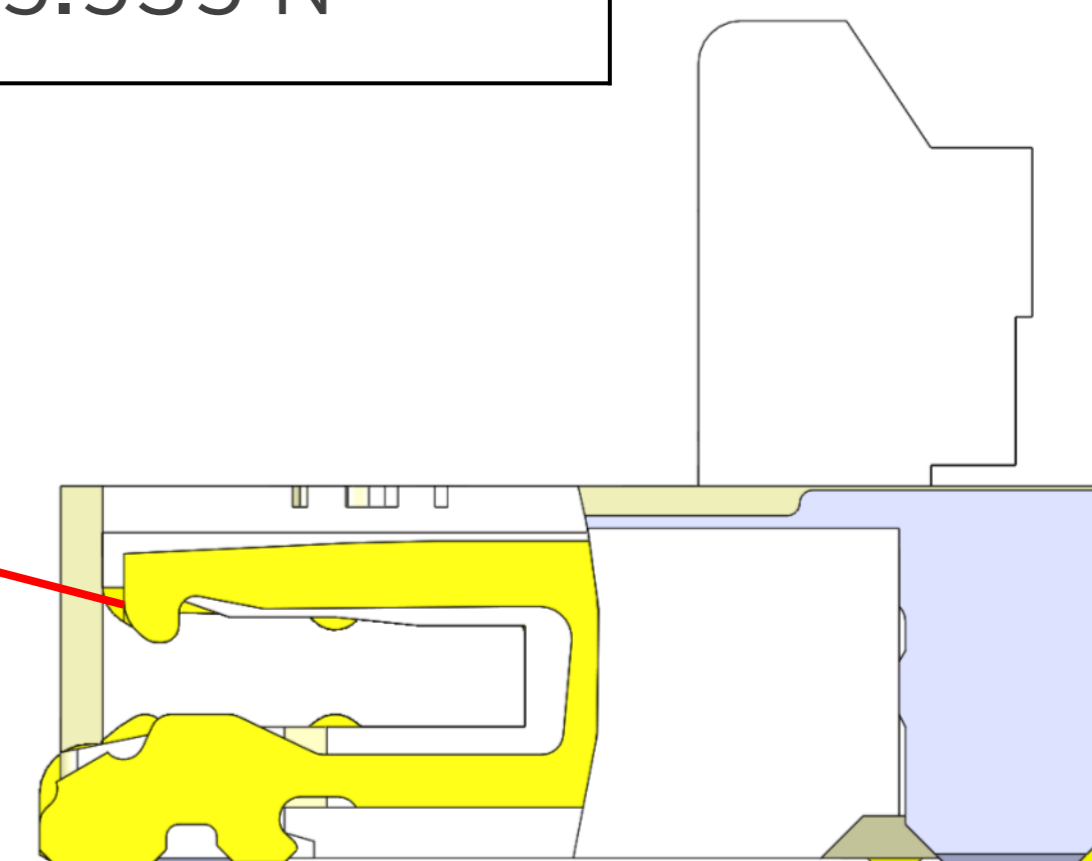
▶ メカニカルロックによる高FPC保持力



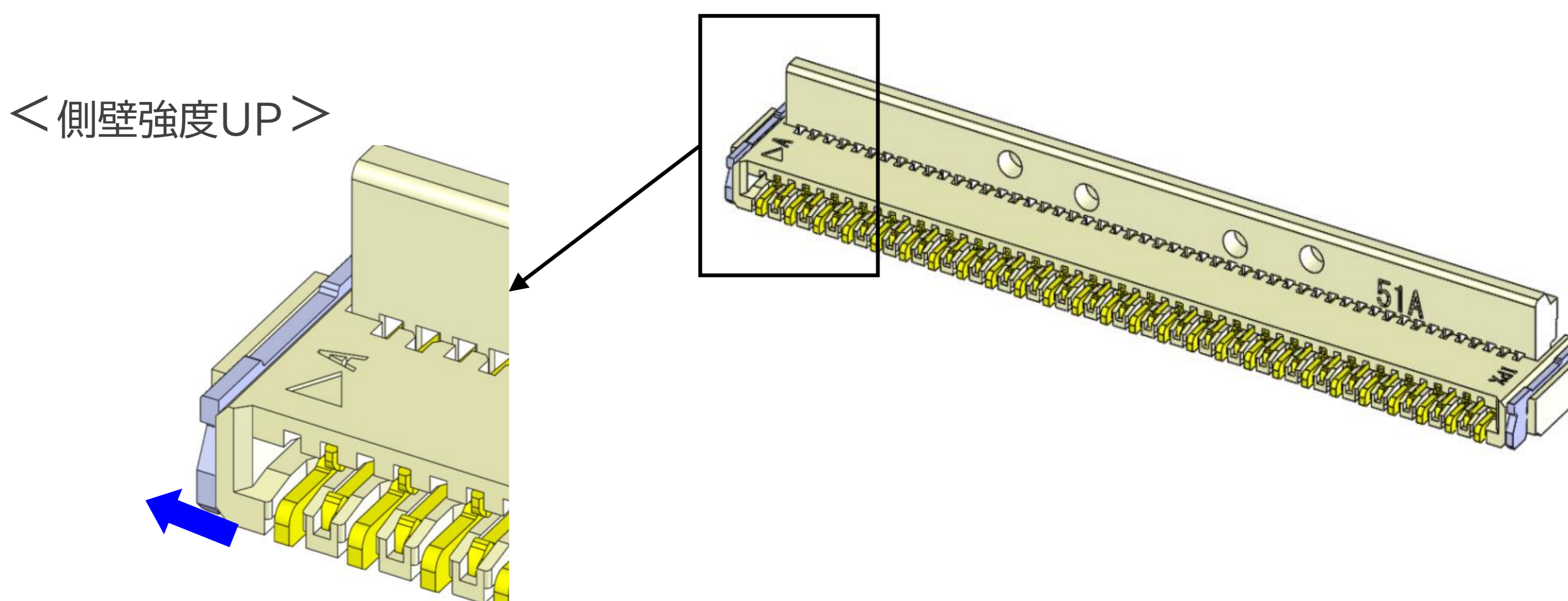
FPC 保持力比較 (45 p)

MINIFLEX® 3-BFN L-LK-HD	MINIFLEX® 3-BFN Long
20.710 N	15.535 N

FPCロックメカニズムによる
高FPC保持力



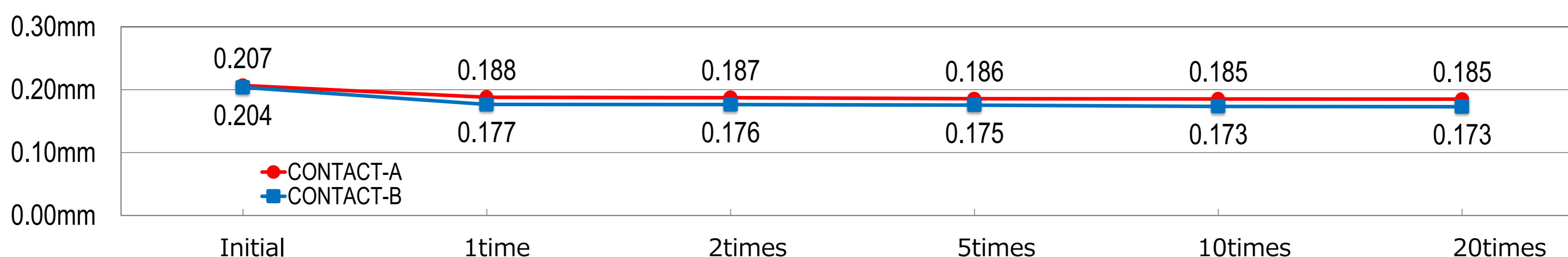
▶ ホールドダウンによる側壁強度UP



▶ FPC未挿入状態でのアクチュエータ空閉じ操作

SMTプロセス後に、もしもFPC未挿入状態でアクチュエータを操作してしまった場合でも十分にコネクタとして機能します

- FPC未挿入状態でのアクチュエータ空閉じ操作前後のコンタクト接点間寸法 (表図 MINIFLEX® 3-BFN L-HD 51 pins)



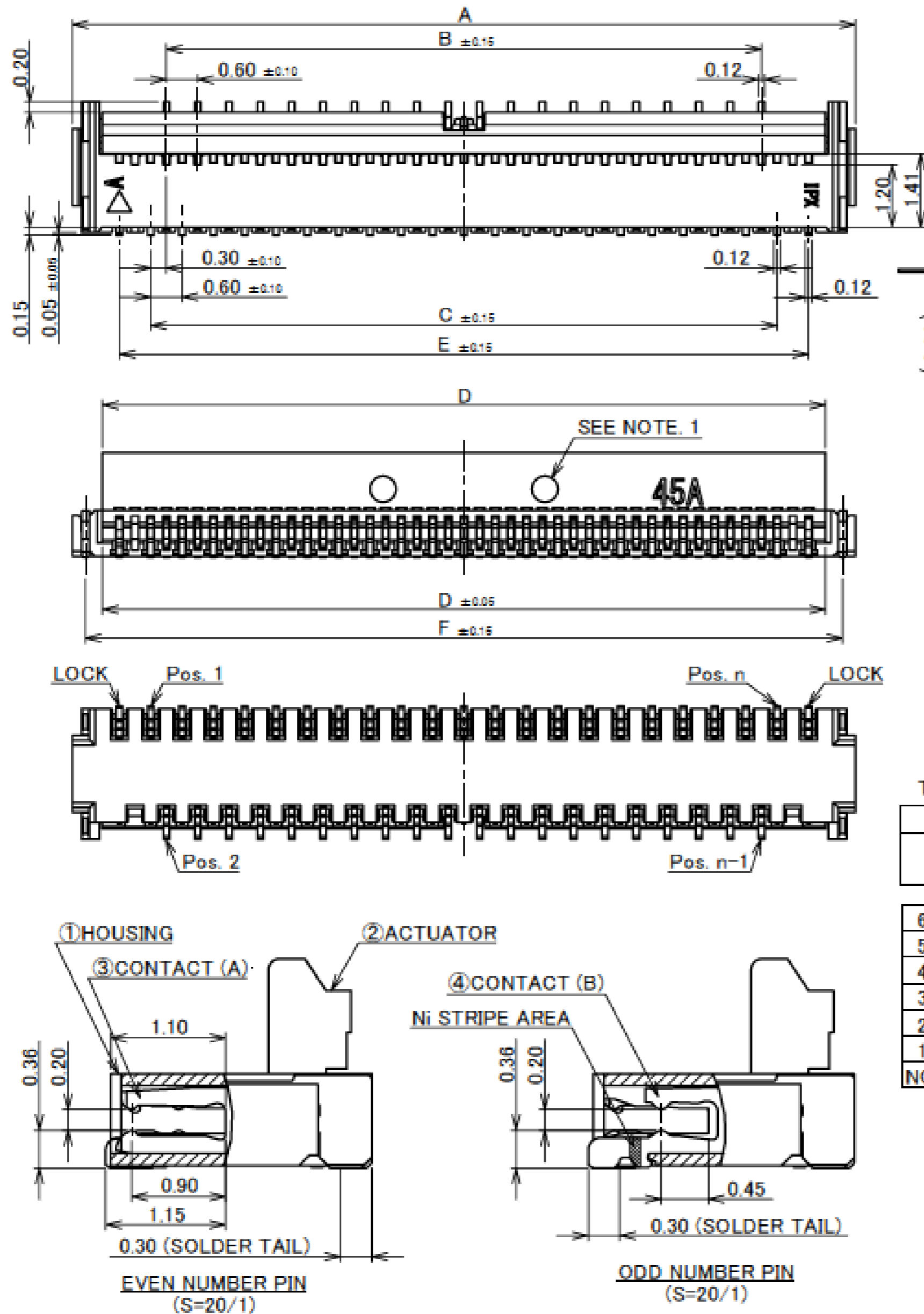
- FPC挿入力は上昇します
- FPC保持力に大きな変化はありません

Component Parts Details

Connector Assembly

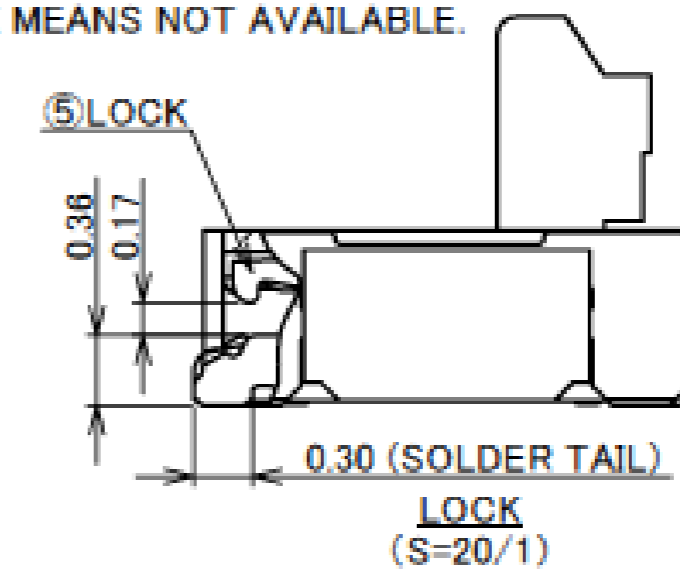
Recommended P/N 20655-0**E-01

ODD NUMBER POS.



PART NO.	Pos.	A	B	C	D	E	F
20655-011E-01	11P	6.00	2.40	3.00	4.85	4.20	5.50
◆20655-029E-01	29P	11.40	7.80	8.40	10.25	9.60	10.90
◆20655-031E-01	31P	12.00	8.40	9.00	10.85	10.20	11.50
◆20655-035E-01	35P	13.20	9.60	10.20	12.05	11.40	12.70
◆20655-037E-01	37P	13.80	10.20	10.80	12.65	12.00	13.30
◆20655-041E-01	41P	15.00	11.40	12.00	13.85	13.20	14.50
20655-045E-01	45P	16.20	12.60	13.20	15.05	14.40	15.70
◆20655-047E-01	47P	16.80	13.20	13.80	15.65	15.00	16.30
◆20655-051E-01	51P	18.00	14.40	15.00	16.85	16.20	17.50
◆20655-053E-01	53P	18.60	15.00	15.60	17.45	16.80	18.10
◆20655-057E-01	57P	19.80	16.20	16.80	18.65	18.00	19.30

◆ MARK MEANS NOT AVAILABLE.



NOTES:
 1. THIS DENT SHAPE IS PURPOSED FOR GOOD INJECTION QUALITY. THIS DENT SHAPE WILL NOT AFFECT CONNECTR FUNCTION. DENT SHAPE SHOWN ON DRAWING IS JUST FOR REFERENCE. DENT SHAPE AND QUANTITY MIGHT CHABGE FROM DIFFERENT PIN COUNT AND DIFFERENT TOOLING.
 2. CONTACT POINT: TOP AND BOTTOM CONTACT

CAUTION VISIT OUR WEBSITE FOR LATEST VERSIONS OF INSTRUCTION MANUAL NO. HIM-12007 TO HANDLE THE PRODUCT PROPERLY AND SAFELY.

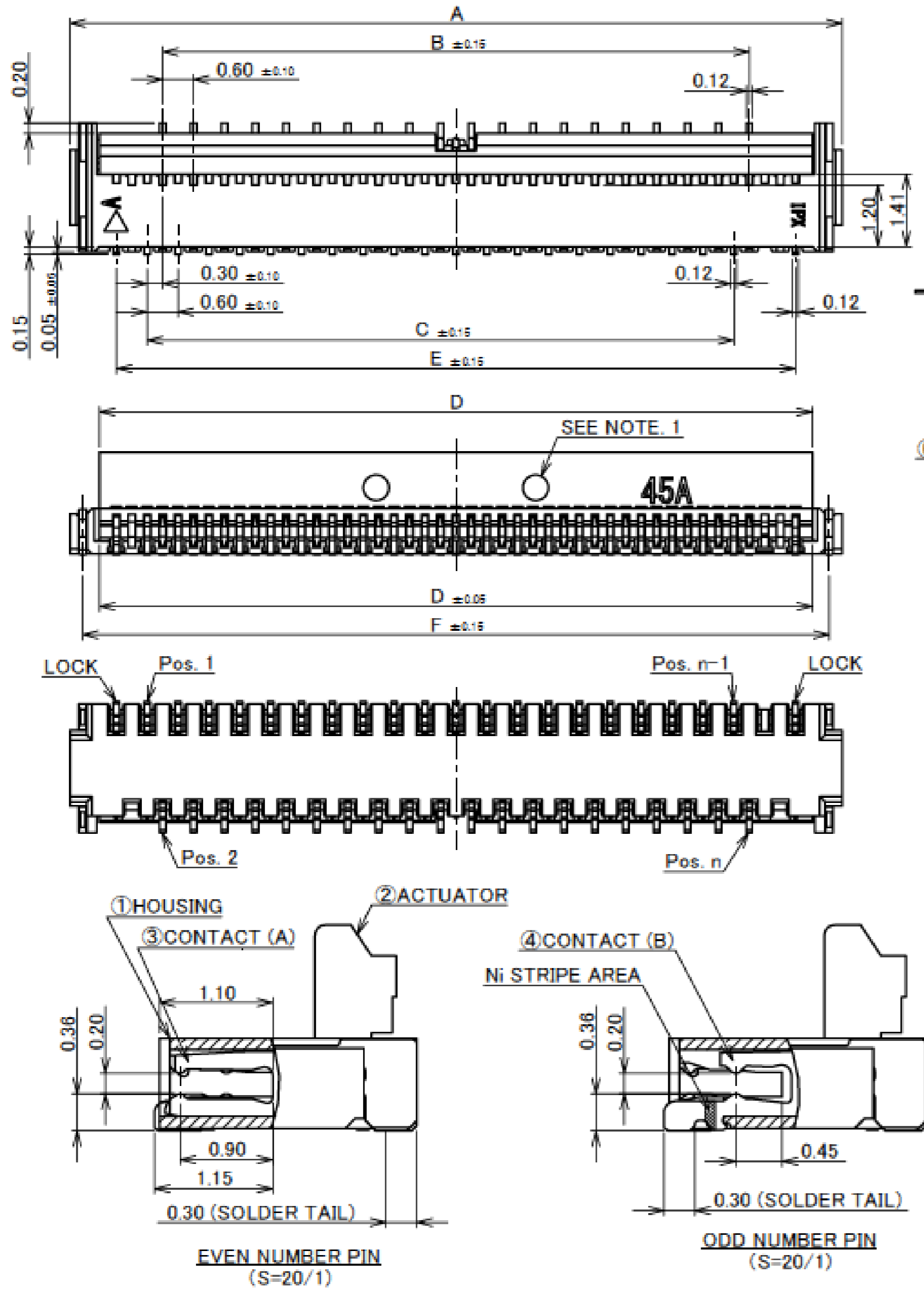
TABLE 1

PART NO.	FINISH		
20655-0**E-01	CONTACT AREA : Au 0.10 μm MIN. OVER Ni 1.00 μm MIN. SOLDERING AREA : Au 0.03 μm MIN. OVER Ni 1.00 μm MIN.		
6	HOLD DOWN	PHOSPHOR BRONZE Sn 2~6 μm OVER Ni 1.00 μm MIN.	
5	LOCK	PHOSPHOR BRONZE SOLDERLING AREA: Au 0.03 μm MIN. OVER Ni 1.00 μm MIN.	
4	CONTACT (B)	PHOSPHOR BRONZE SEE TABLE 1, WITH Ni STRIPE	
3	CONTACT (A)	PHOSPHOR BRONZE SEE TABLE 1	
2	ACTUATOR	LCP UL94V-0, BEIGE	
1	HOUSNIG	LCP UL94V-0, BEIGE	
NO.	DISCRIPTION	MATERIAL	FINISH, REMARKS

Connector Assembly

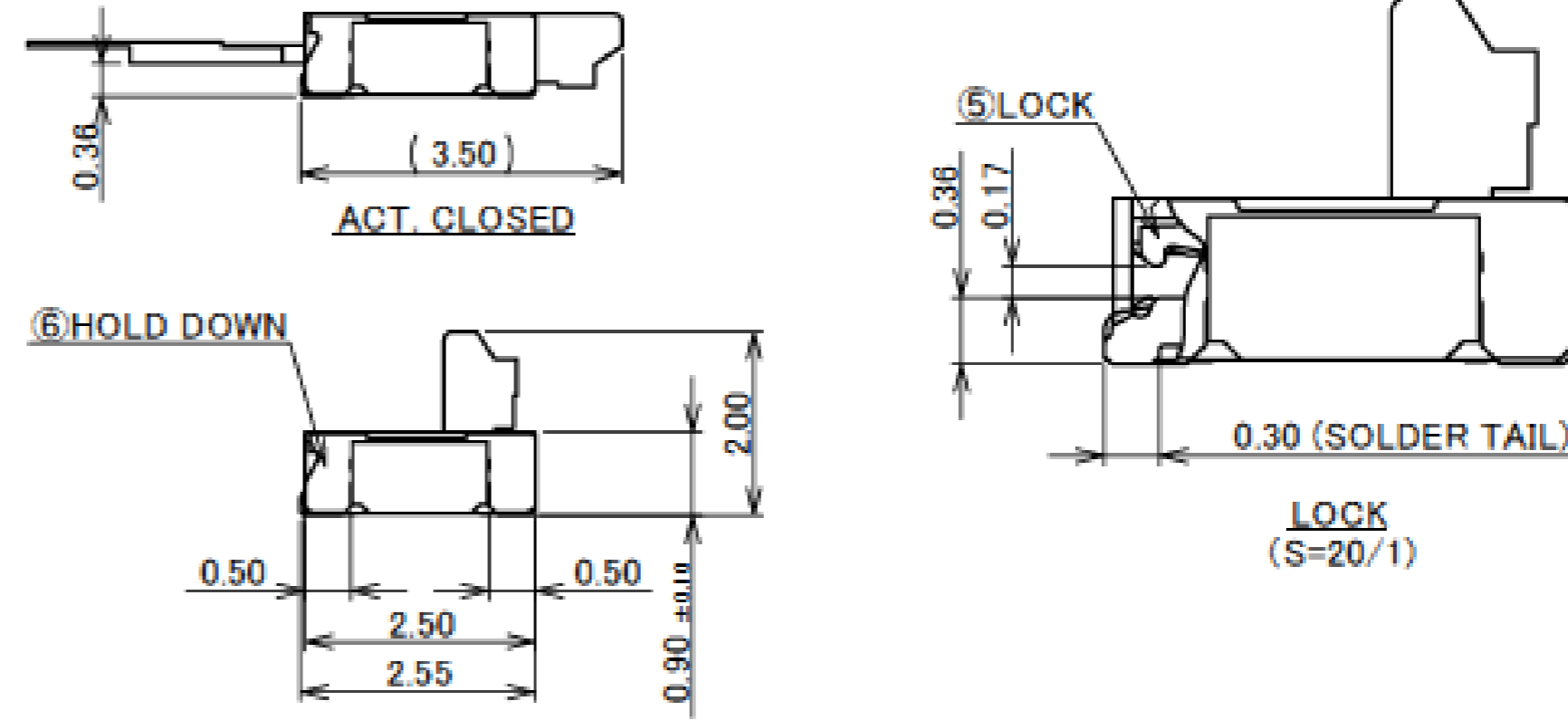
Recommended P/N 20655-0**E-01

EVEN NUMBER POS.



PART NO.	Pos.	A	B	C	D	E	F
◆20655-030E-01	30P	12.00	8.40	8.40	10.85	10.20	11.50
◆20655-040E-01	40P	15.00	11.40	11.40	13.85	13.20	14.50
◆20655-050E-01	50P	18.00	14.40	14.40	16.85	16.20	17.50

◆MARK MEANS NOT AVAILABLE.

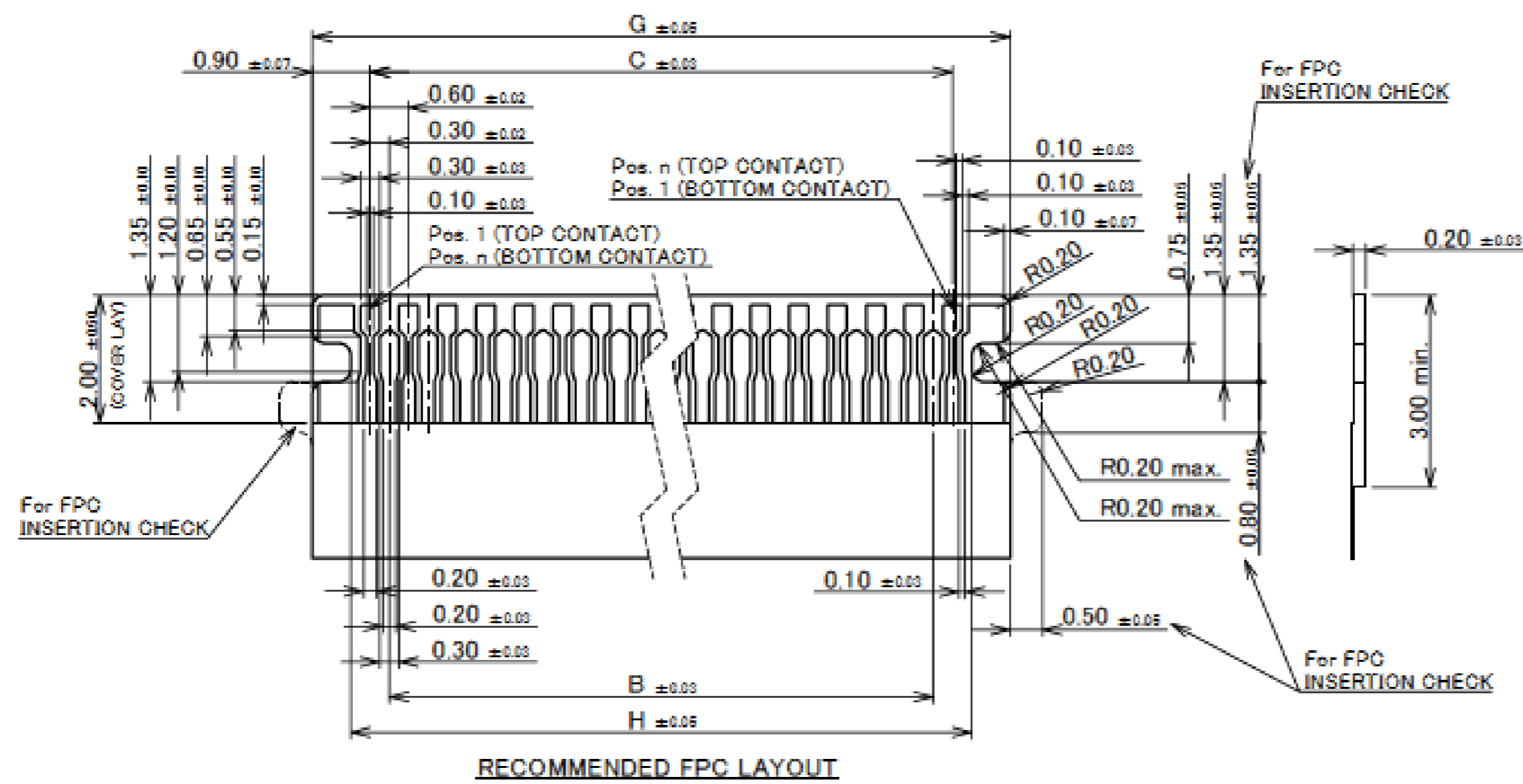


- NOTES:
- THIS DENT SHAPE IS PURPOSED FOR GOOD INJECTION QUALITY. THIS DENT SHAPE WILL NOT AFFECT CONNECTR FUNCTION. DENT SHAPE SHOWN ON DRAWING IS JUST FOR REFERENCE. DENT SHAPE AND QUANTITY MIGHT CHABGE FROM DIFFERENT PIN COUNT AND DIFFERENT TOOLING.
 - CONTACT POINT : TOP AND BOTTOM CONTACT

CAUTION VISIT OUR WEBSITE FOR LATEST VERSIONS OF INSTRUCTION MANUAL NO. HIM-12007 TO HANDLE THE PRODUCT PROPERLY AND SAFELY.

Rev.9

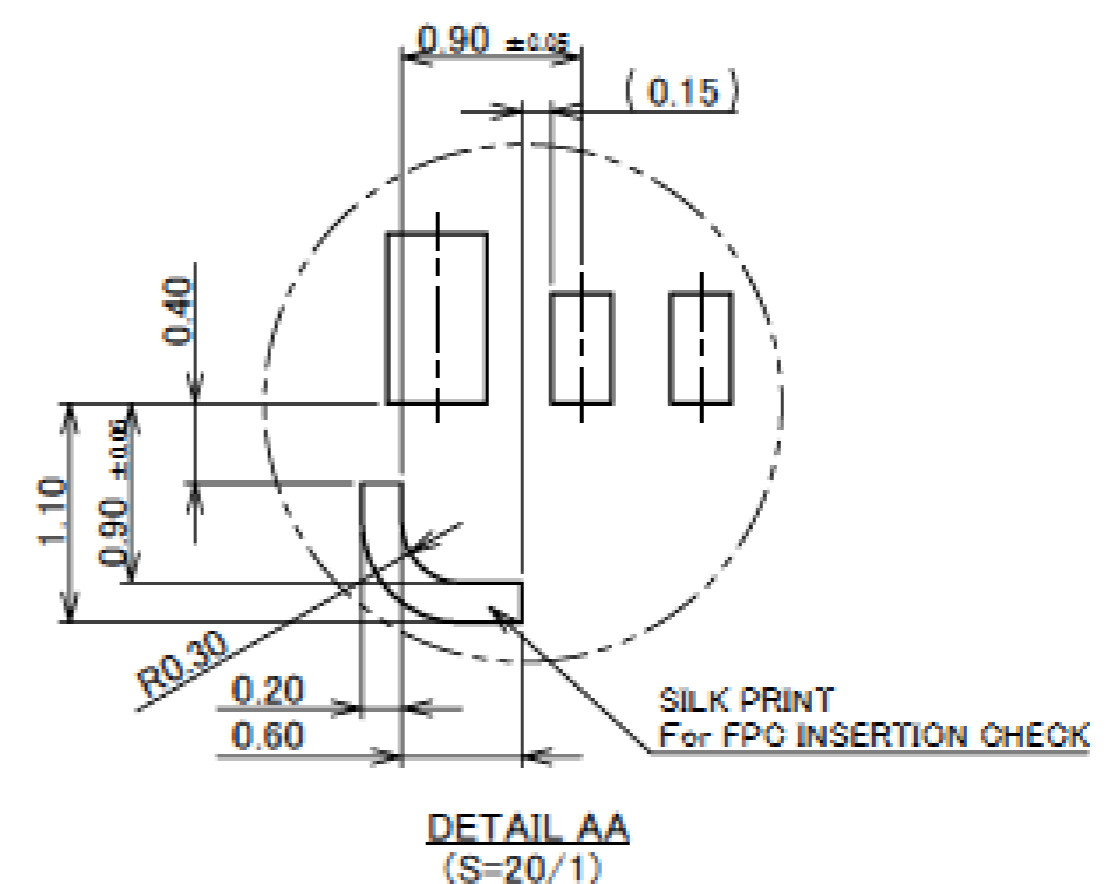
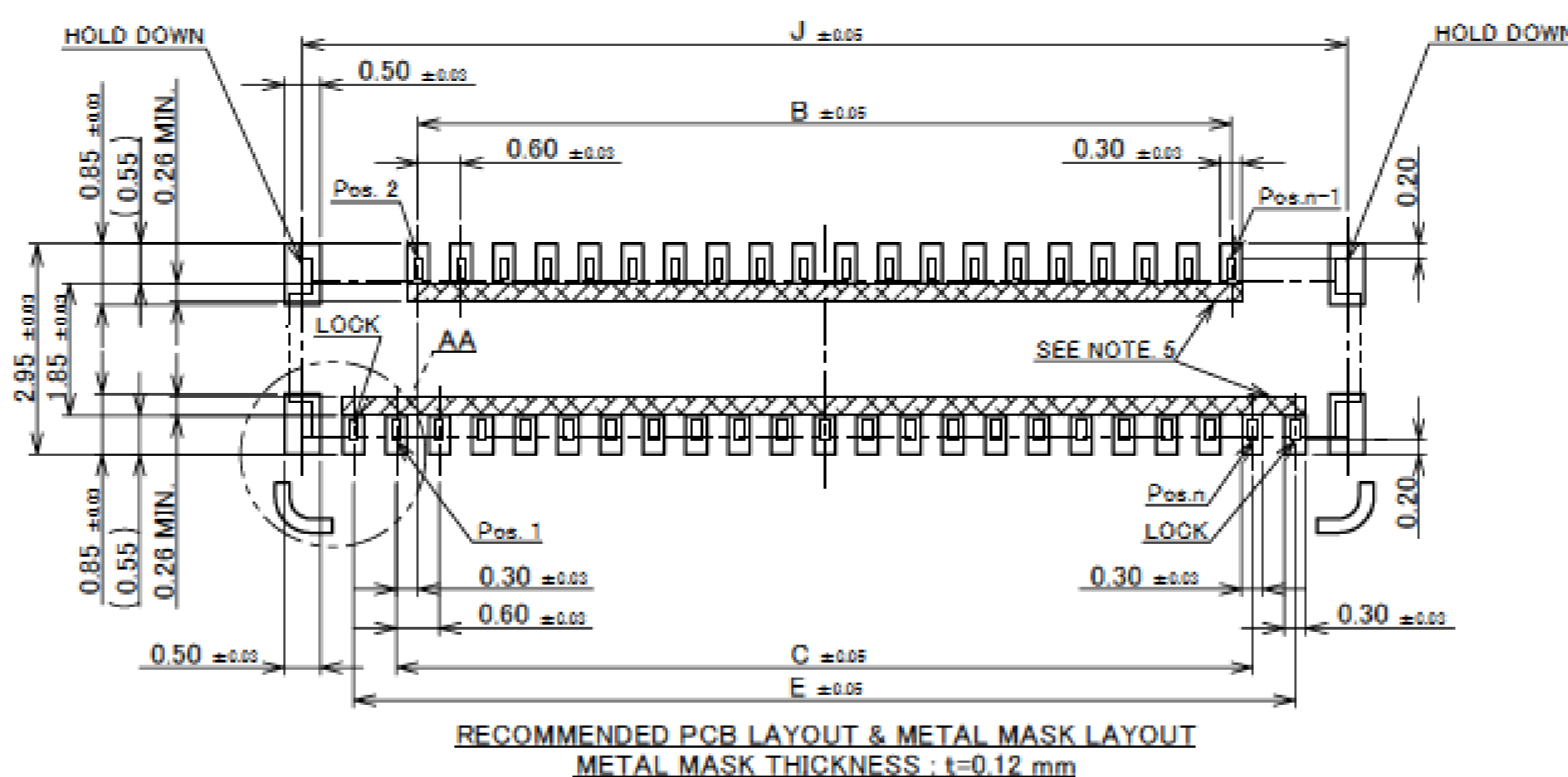
ODD NUMBER POS.



PART NO.	Pos.	B	C	E	G	H	J
20655-011E-01	11P	2.40	3.00	4.20	4.80	3.60	5.65
◆20655-029E-01	29P	7.80	8.40	9.60	10.20	9.00	11.05
◆20655-031E-01	31P	8.40	9.00	10.20	10.80	9.60	11.65
◆20655-035E-01	35P	9.60	10.20	11.40	12.00	10.80	12.85
◆20655-037E-01	37P	10.20	10.80	12.00	12.60	11.40	13.45
◆20655-041E-01	41P	11.40	12.00	13.20	13.80	12.60	14.65
20655-045E-01	45P	12.60	13.20	14.40	15.00	13.80	15.85
◆20655-047E-01	47P	13.20	13.80	15.00	15.60	14.40	16.45
◆20655-051E-01	51P	14.40	15.00	16.20	16.80	15.60	17.65
◆20655-053E-01	53P	15.00	15.60	16.80	17.40	16.20	18.25
◆20655-057E-01	57P	16.20	16.80	18.00	18.60	17.40	19.45

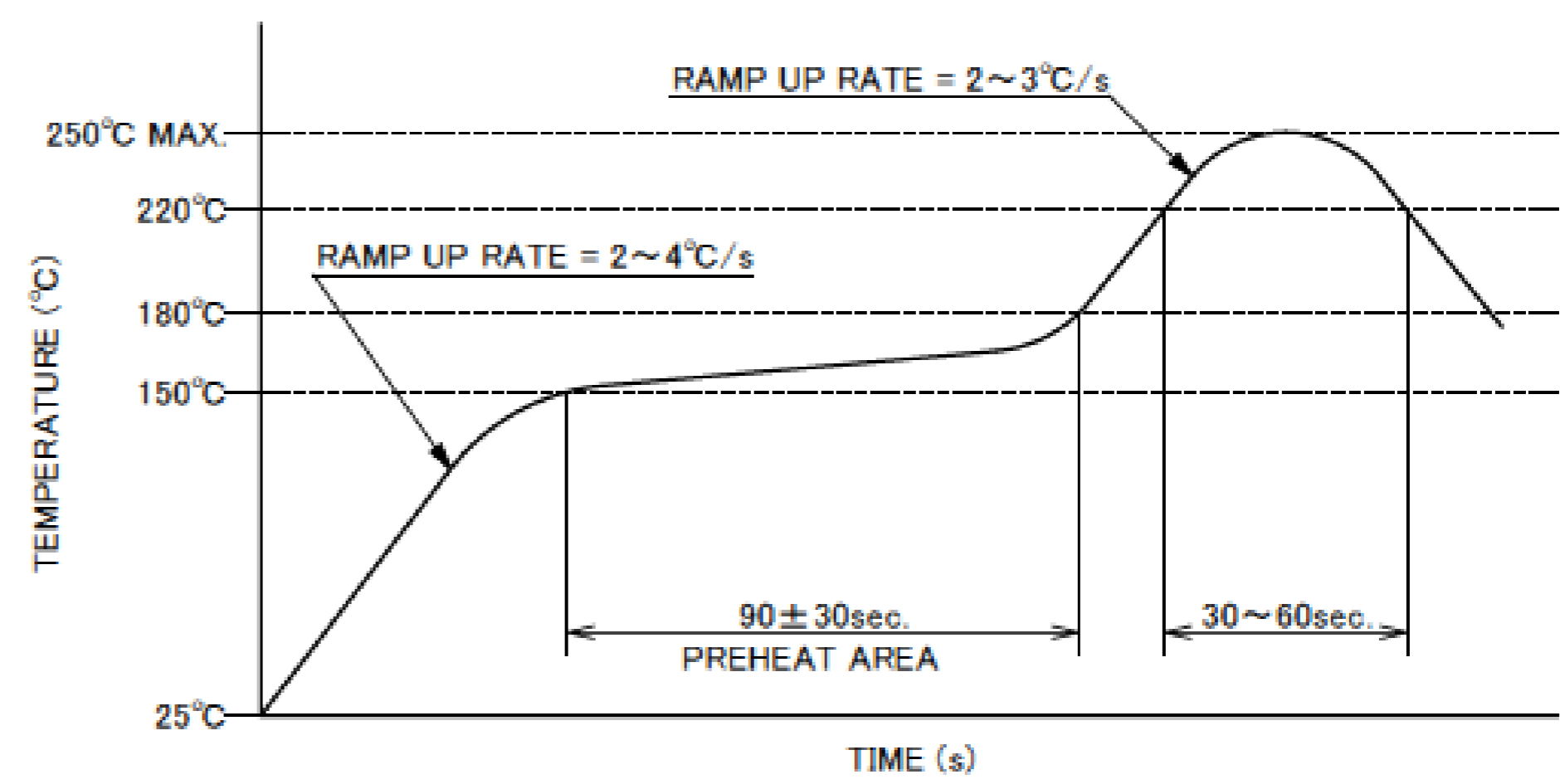
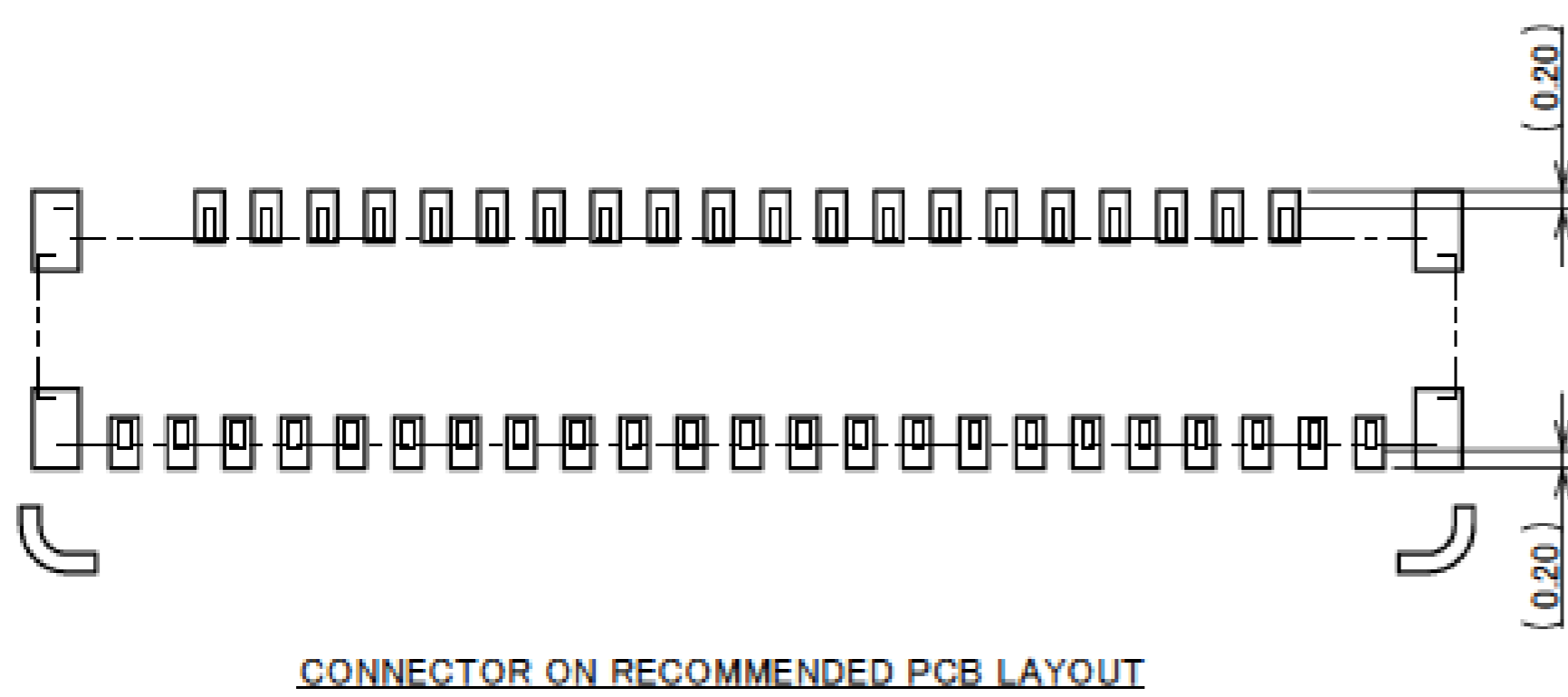
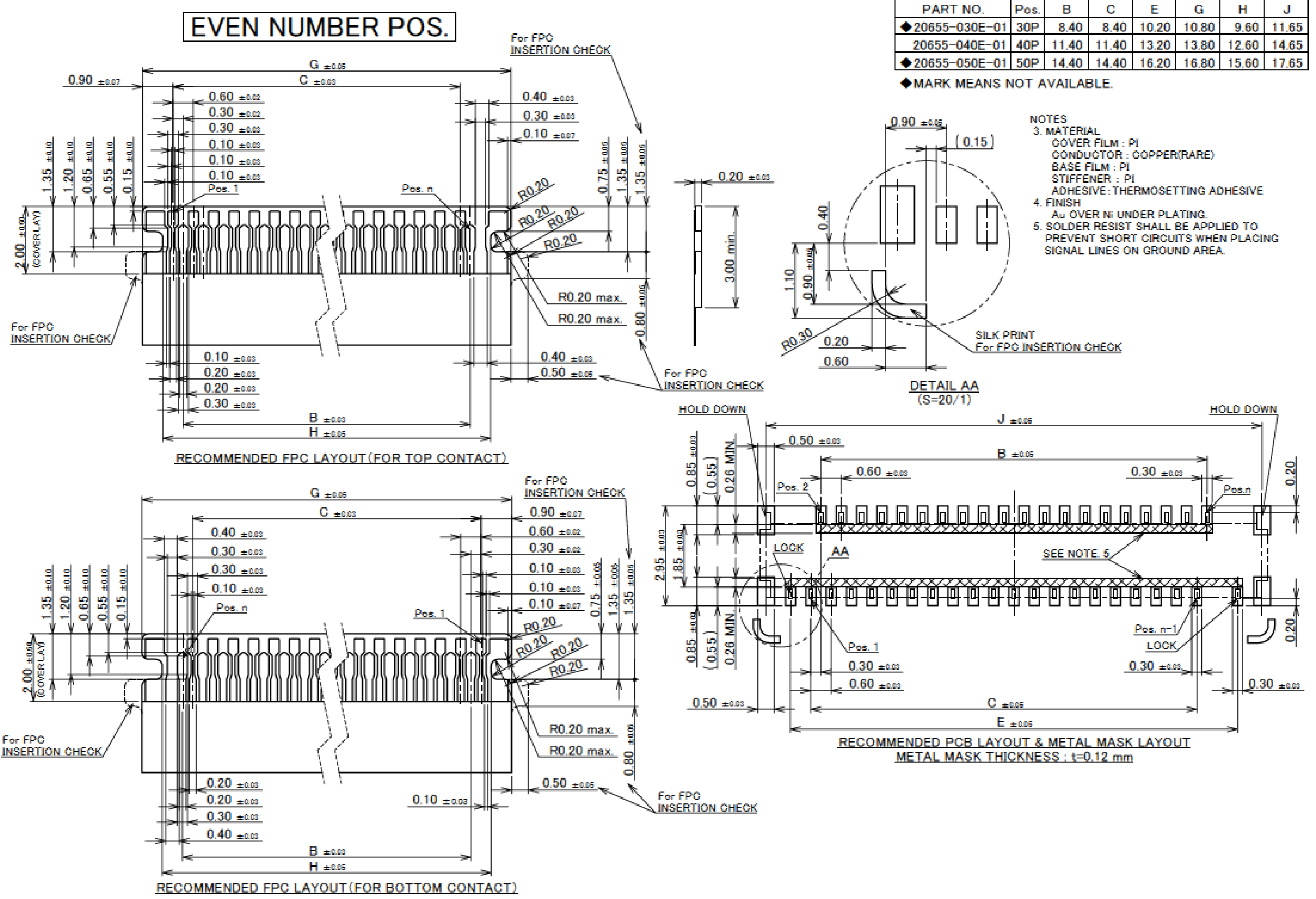
◆MARK MEANS NOT AVAILABLE.

- NOTES:
- MATERIAL
COVER FILM : PI
CONDUCTOR : COPPER(RARE)
BASE FILM : PI
STIFFENER : PI
ADHESIVE : THERMOSETTING ADHESIVE
 - FINISH
Au OVER Ni UNDER PLATING.
 - SOLDER RESIST SHALL BE APPLIED TO PREVENT SHORT CIRCUITS WHEN PLACING SIGNAL LINES ON GROUND AREA.



Rev.9

Connector Assembly



SENJU METAL INDUSTRY CO., LTD. · M705-SHF(Sn96.5 Ag3.0 Cu0.5)

Rev.9

Rev.9

Connector Assembly

ITEMS	SPECIFICATION
RATING VOLTAGE	50V AC/DC (PER CONTACT)
RATING AMPERAGE	0.3A DC (PER CONTACT)
OPERATING TEMPERATURE	233~358K(-40°C~85°C)
OPERATING HUMIDITY	20~80%RH (NON-CONDENSING)
CONTACT RESISTANCE	INITIAL : 60mohm MAX. / AFTER TEST : \triangleleft 40mohm MAX.
INSULATION RESISTANCE	100Mohm MIN.
DIELECTRIC WITHSTANDING VOLTAGE	AC250V 1min
DURABILITY	20 CYCLES
ACTUATOR LOCKING FORCE (INITIAL / 20TH CYCLES)	INITIAL / 20 CYCLES 0.21N (21gf) \times (n + 2) MAX.
ACTUATOR UNLOCKING FORCE (INITIAL / 20TH CYCLES)	INITIAL / 20 CYCLES 0.014N (1.4gf) \times (n + 2) MIN.
FPC RETENTION FORCE (INITIAL / AFTER TEST)	INITIAL: 0.13N (13gf) \times n + 1.0N MIN. / AFTER TEST: 0.10N (10gf) \times n + 1.0N MIN.
COPLANARITY	0.10 MAX.
PRODUCT SPECIFICATION	PRS-2077
TEST REPORT	TR-15027
PACKING STANDARD	PST-15018
INSTRUCTION MANUAL	HIM-12007
APPEARANCE CRITERIA No.	QLS-A***

※ "n" IS THE NUMBER OF PIN


Rev.9

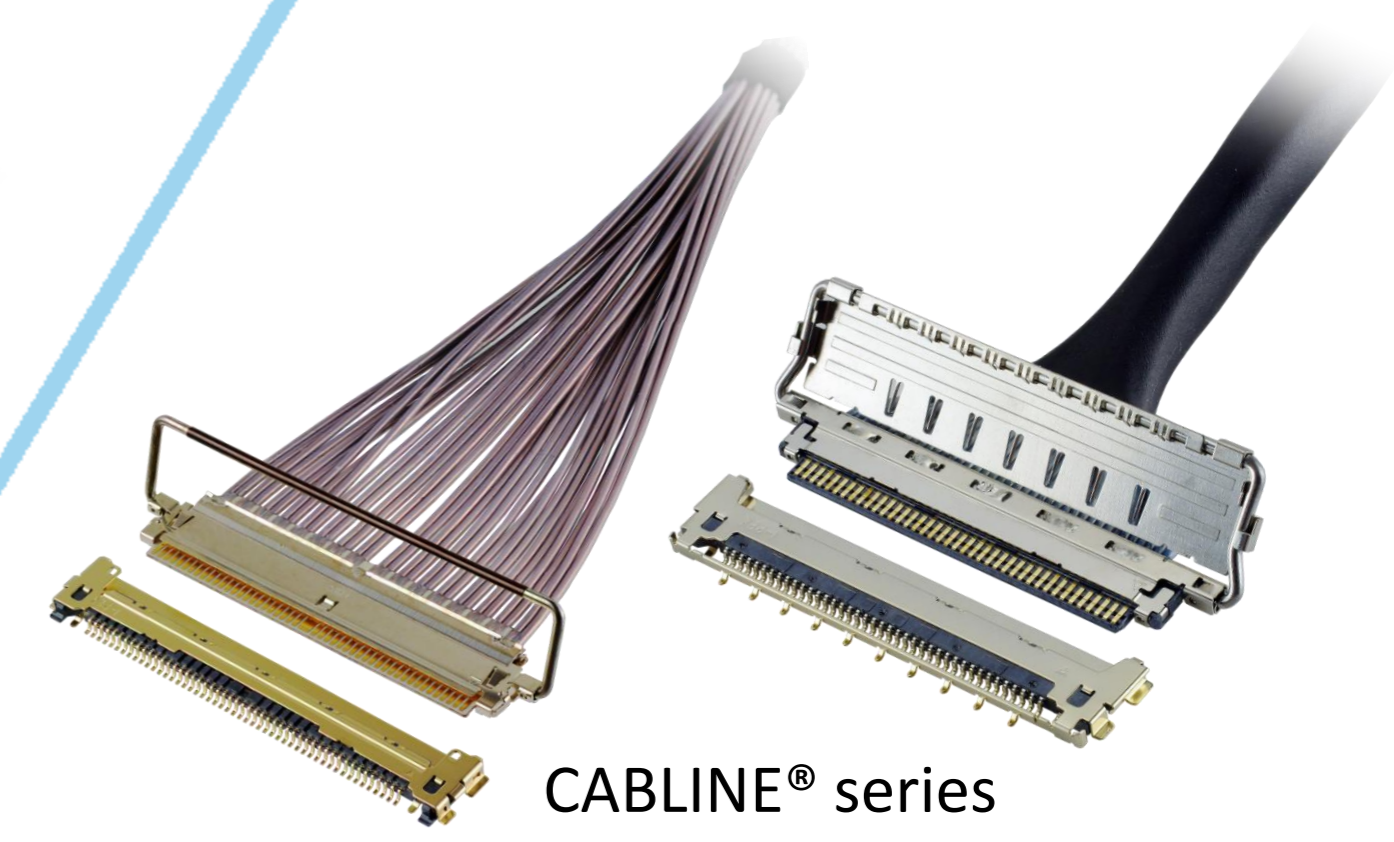
Custom Connectors Available

 RF Connector

MHF® series



 CABLINE® series
Micro-coaxial/Twinax/
Discrete Wire Connector



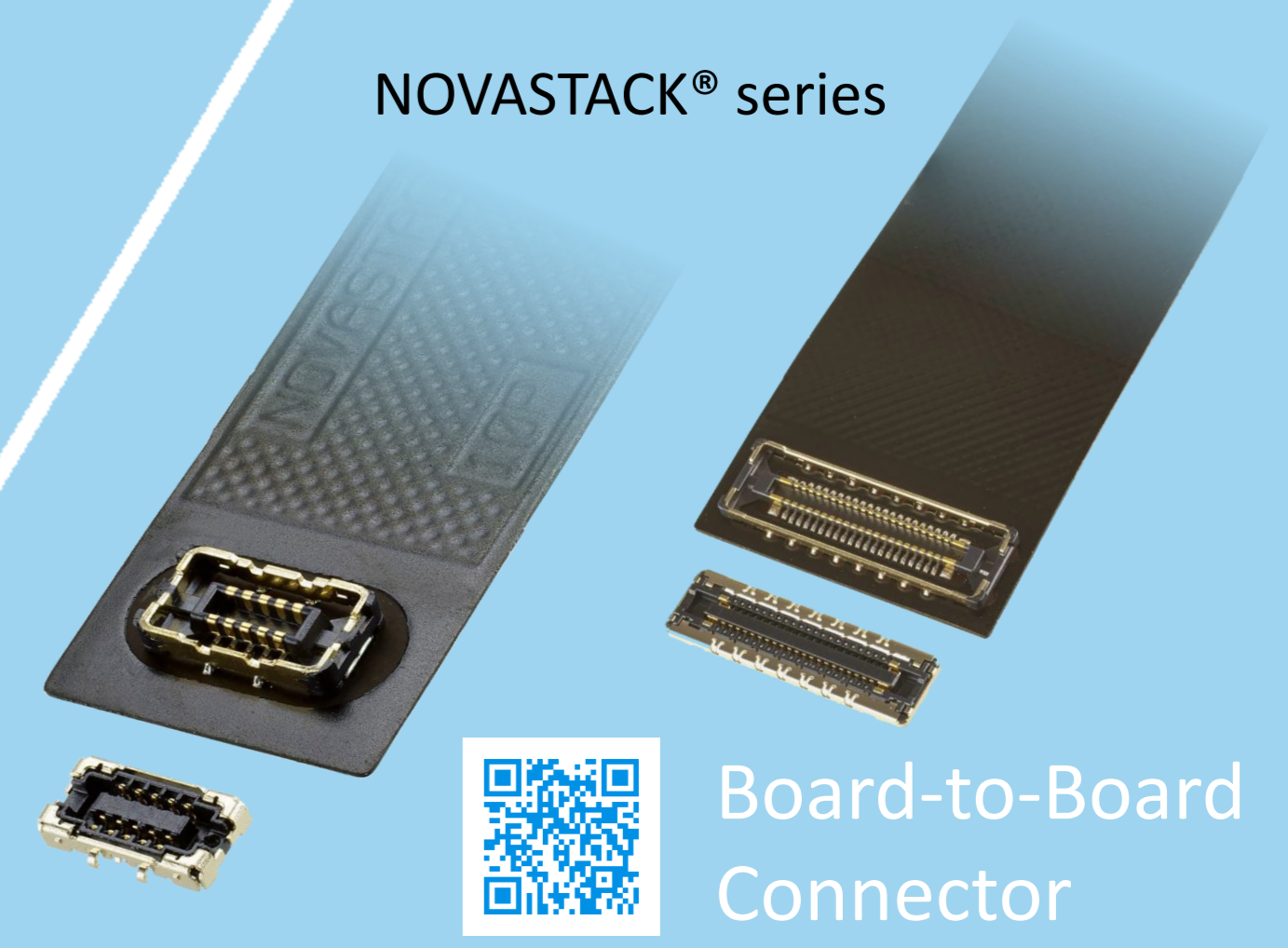
 Optical Module

LIGHTPASS® series



NOVASTACK® series

 Board-to-Board Connector



 Power Connector/
Terminal

AP series

ISH® series



MINIFLEX® series

EVAFLEX® series



 FPC FFC Connector

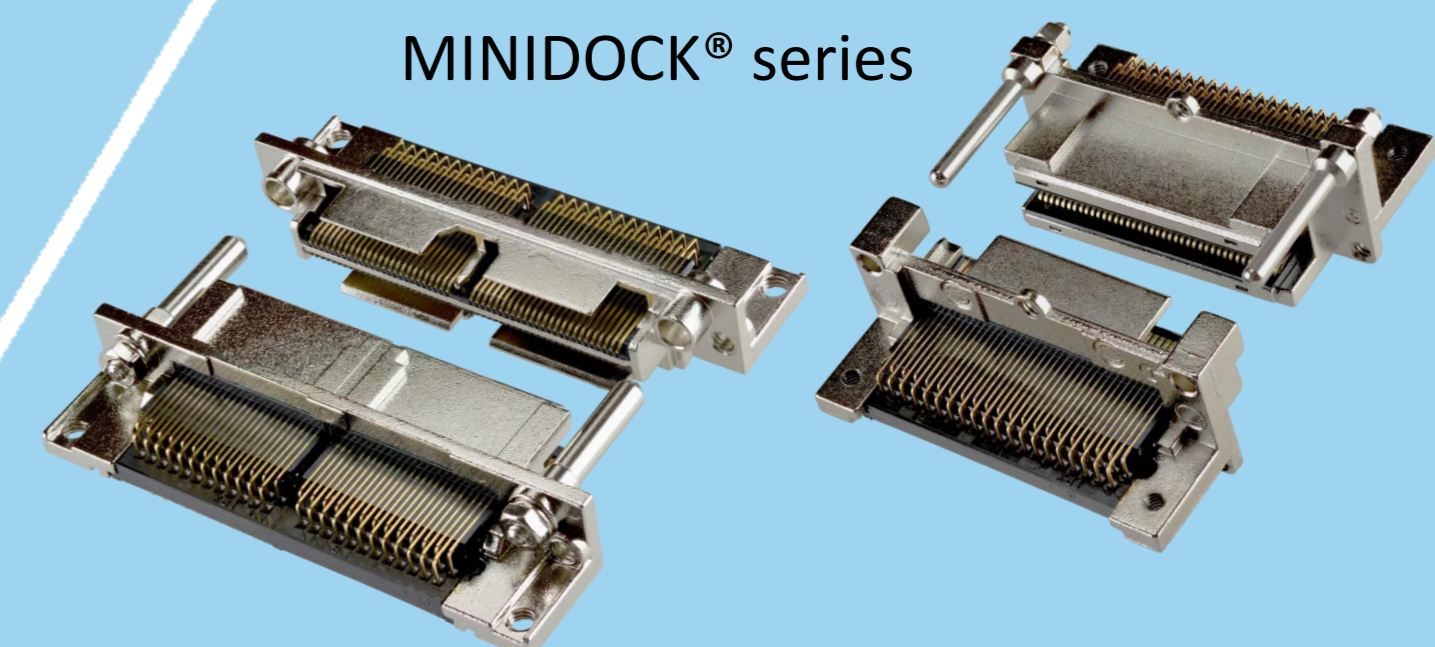


Inquiry



MINIDOCK® series

 I/O Connector



I-PEX, MHF, CABLINE, LIGHTPASS, NOVASTACK, ISH, IARPB, MINIFLEX, EVAFLEX, MINIDOCKS and ZenShield are registered trademarks of I-PEX Inc. Please note that the contents in the catalog might be changed without prior notification. I-PEX Inc. assumes no responsibility for any inaccuracies or obligation to update information on these documents. Please be sure to read and understand the latest "Precautions for Use" and "Instruction Manual" before you use our products. We shall not be responsible for any defects, damages or troubles in case you use our products without following the precautions for use. Please feel free to contact our sales representatives when you use our products for any applications that require very high reliability and safety, or that relate to human life (ex. nuclear power control, aerospace, transportation, medical equipment, safety equipment etc.).

Contact your sales representative or more detailed information.

www.i-pex.com



I-PEX

© I-PEX Inc. 2024
All rights reserved