

# MINIFLEX® 2-BF

0.2 mm 間距, 水平對插, 後鎖式 (高度 = 0.9 mm)

**Product Specifications:**

|                    |                |                        |
|--------------------|----------------|------------------------|
| Board Pitch (mm)   | 0.2            |                        |
| Wiping Length (mm) | Contact A:0.95 |                        |
|                    | Contact B:0.45 |                        |
| Size (mm)          | Height         | 0.90 +/- 0.10          |
|                    | Width          | Formula:1.5 +(0.2*p)   |
|                    | Depth          | Open:3.30<br>Close:4.5 |
| Pin counts         | Range          | 80-120 (even)          |
|                    | Available      | 80, 100, 120           |

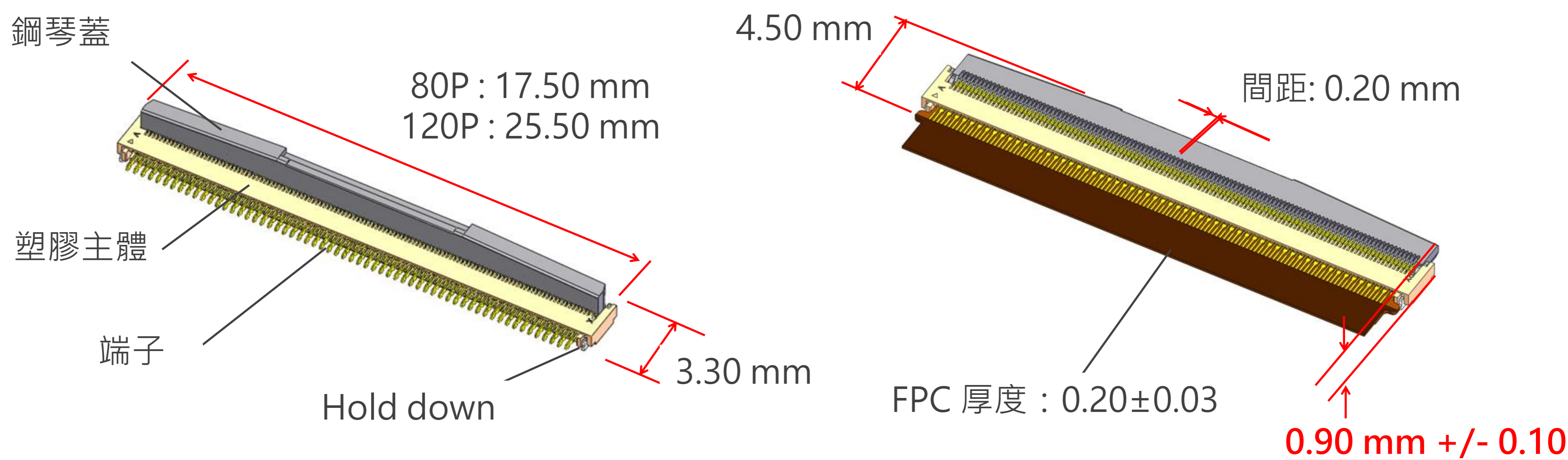
**Applicable FPC/FFC:**

|                        |                |
|------------------------|----------------|
| FPC/FFC Contact Pitch  | 0.2            |
| FPC/FFC Contact Point  | Top and Bottom |
| FPC/FFC Thickness (mm) | 0.2 +/- 0.03   |

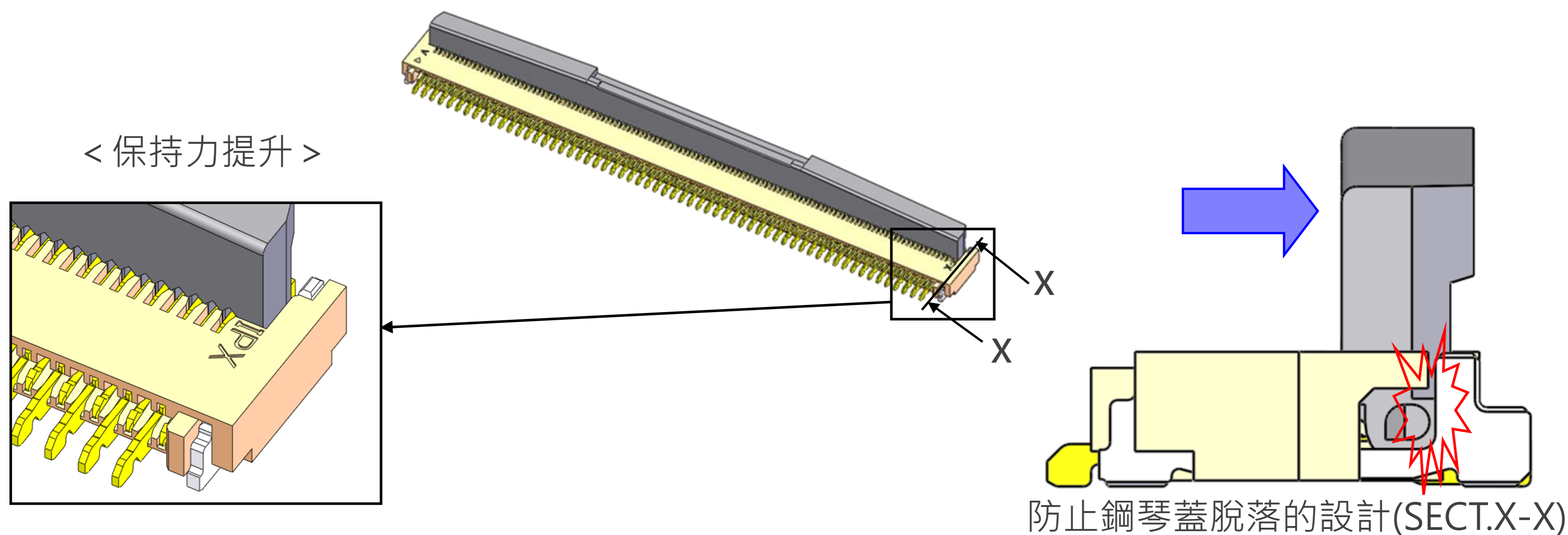
\*若有規格外 Pin 數需求, 請與當地負責業務窗口聯繫。



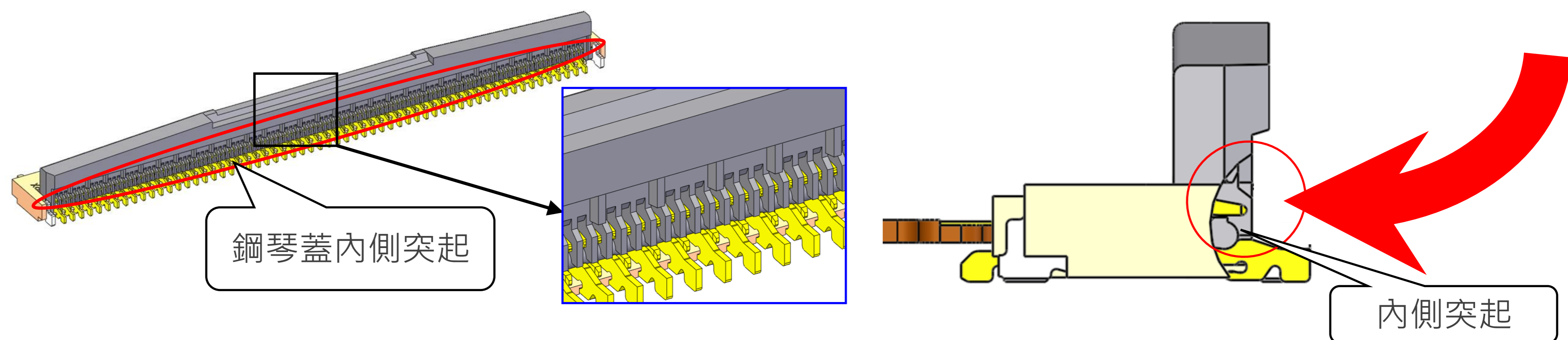
## ▶ 最多可達120 個位置，0.9 mm



## ▶ Hold down 設計防止鋼琴蓋脫落



## ▶ 結構設計可防止端子變形



當鋼琴蓋被打開時, 鋼琴蓋內側的突起可防止指甲碰觸端子而造成的變形

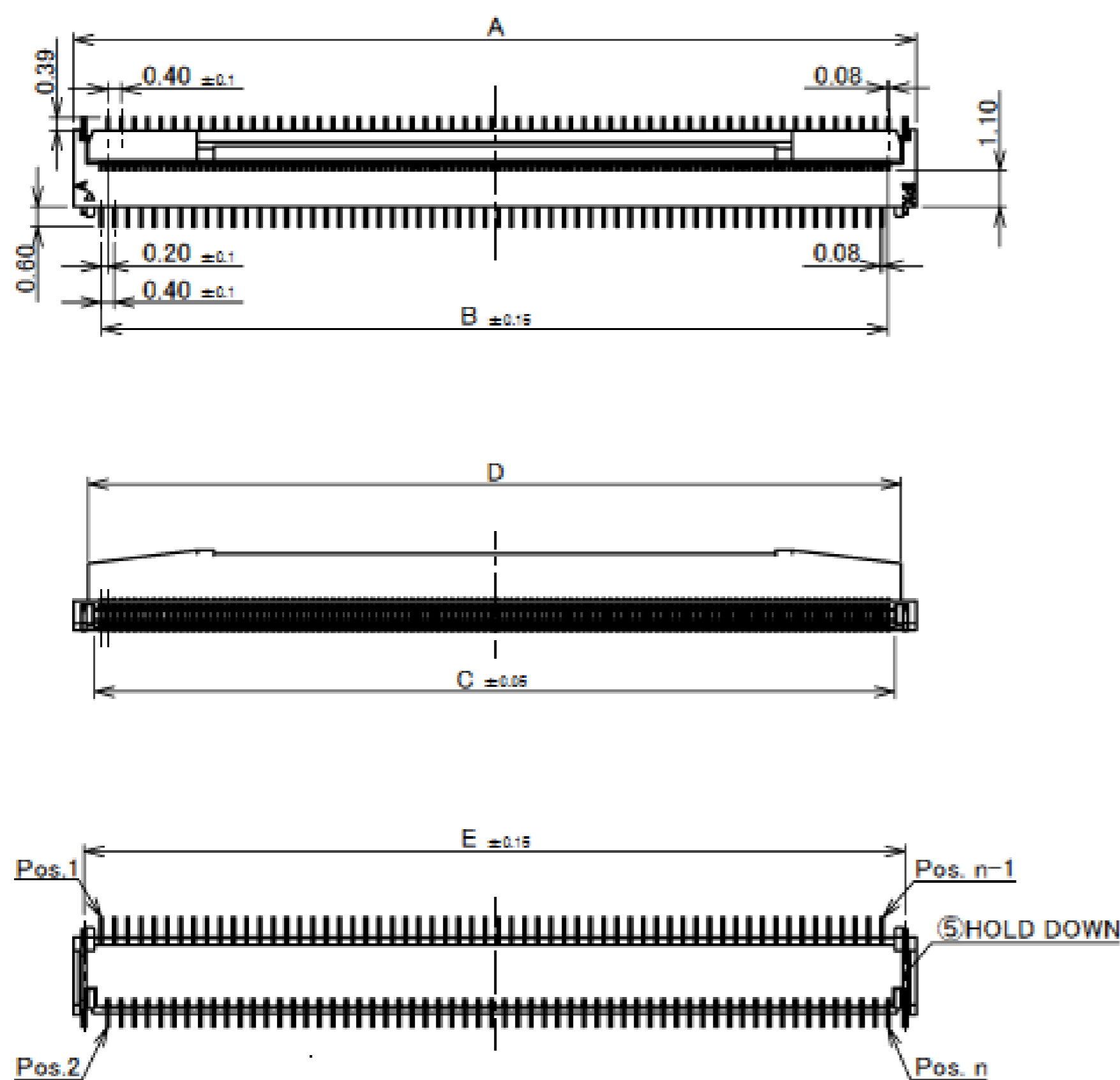


# Component Parts Details

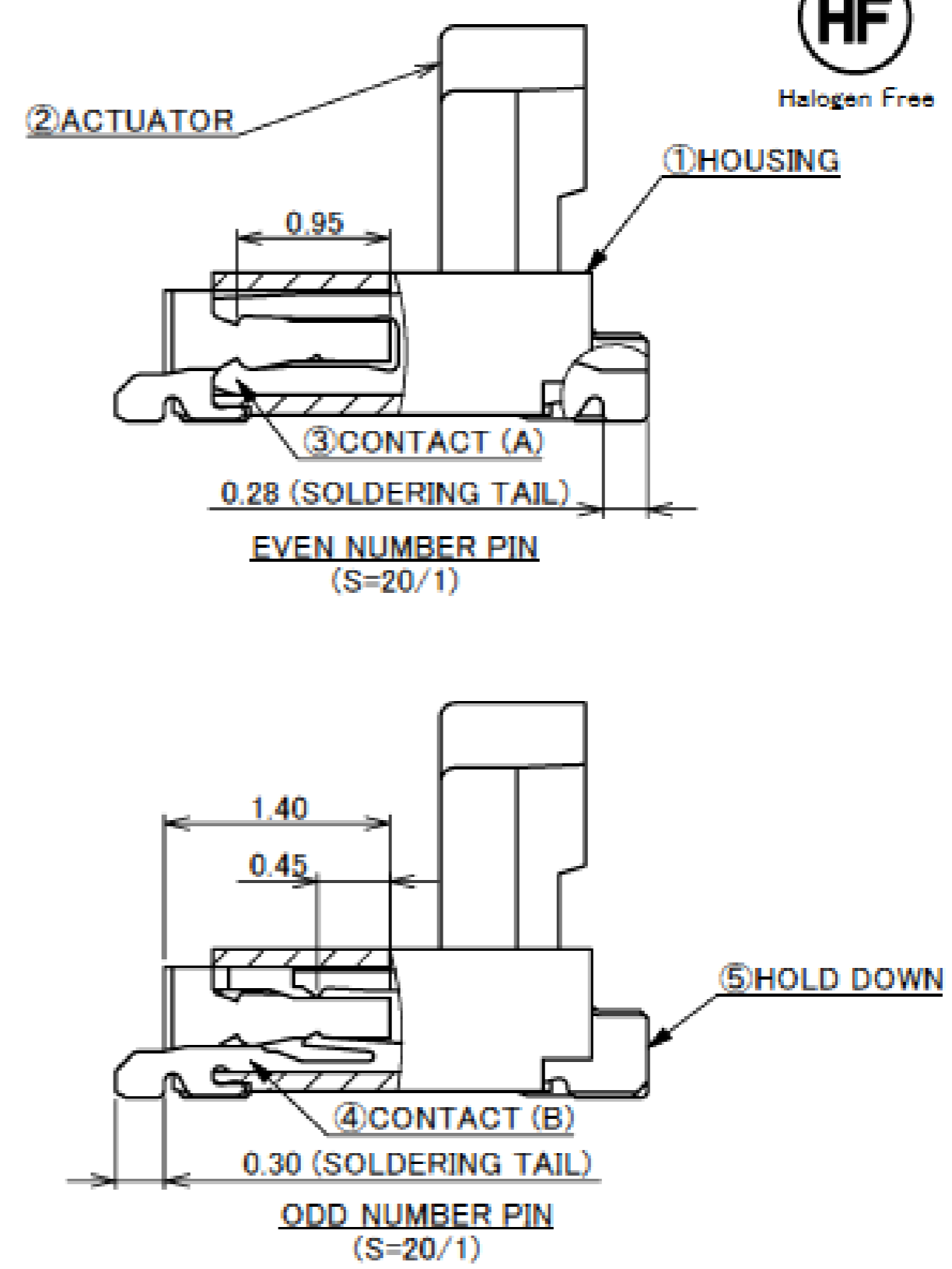
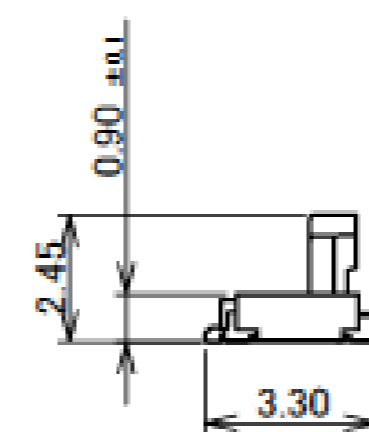
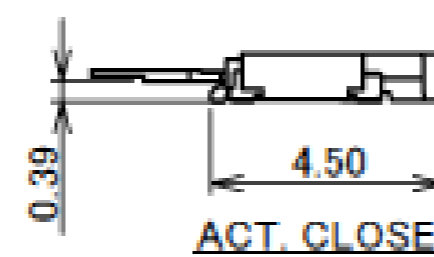
## Connector Assembly

| Recommended P/N |      | 20617-***E-01 |       |       |       |       |
|-----------------|------|---------------|-------|-------|-------|-------|
| PART NO.        | Pos. | A             | B     | C     | D     | E     |
| 20617-080E-01   | 80   | 17.50         | 15.80 | 16.22 | 16.60 | 16.85 |
| 20617-100E-01   | 100  | 21.50         | 19.80 | 20.22 | 20.60 | 20.85 |
| ◆20617-110E-01  | 110  | 23.50         | 21.80 | 22.22 | 22.60 | 22.85 |
| 20617-120E-01   | 120  | 25.50         | 23.80 | 24.22 | 24.60 | 24.85 |

◆MARK MEANS NOT AVAILABLE.



NOTES.  
1. CONTACT POINT : TOP AND BOTTOM CONTACT.

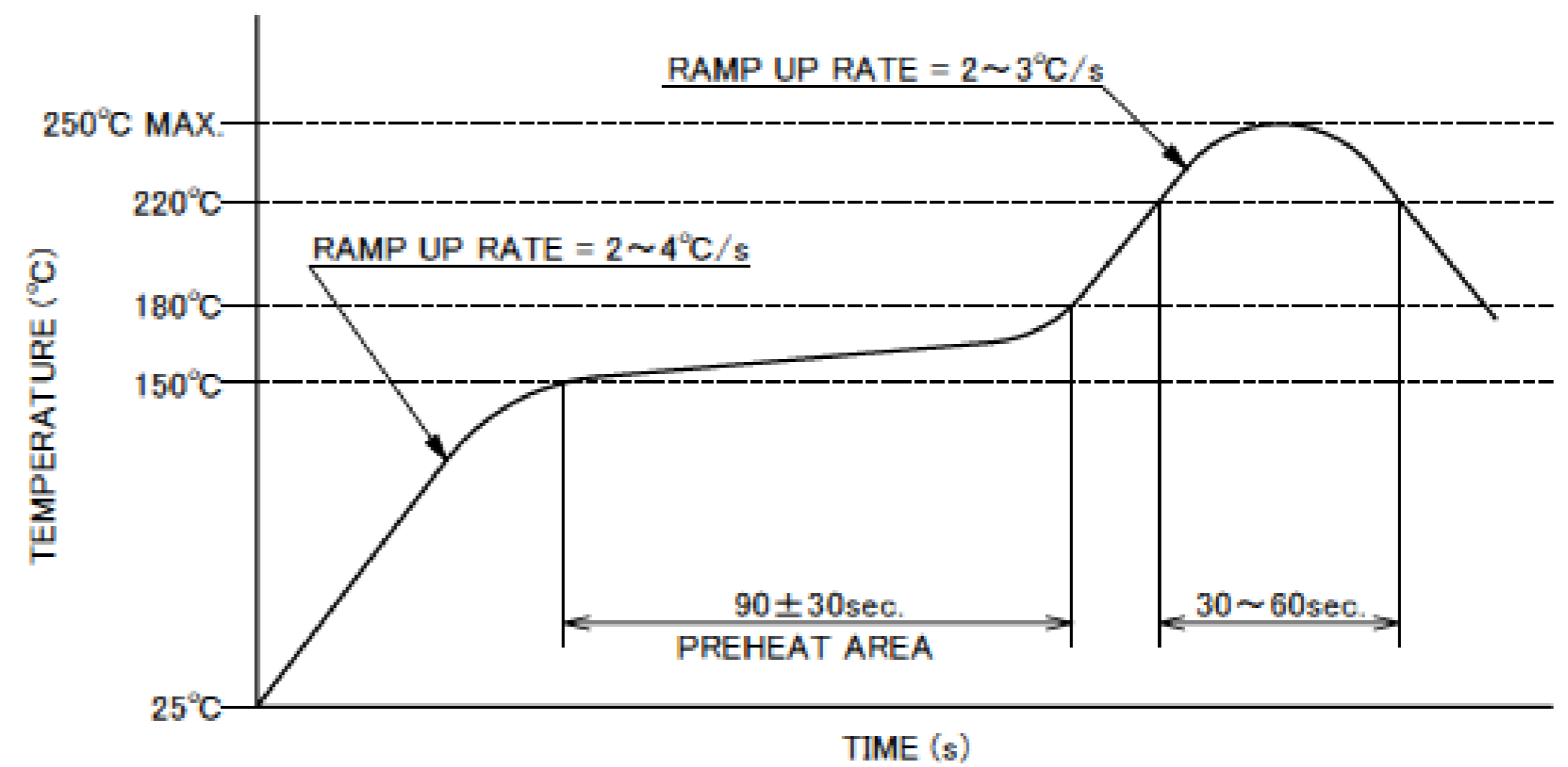
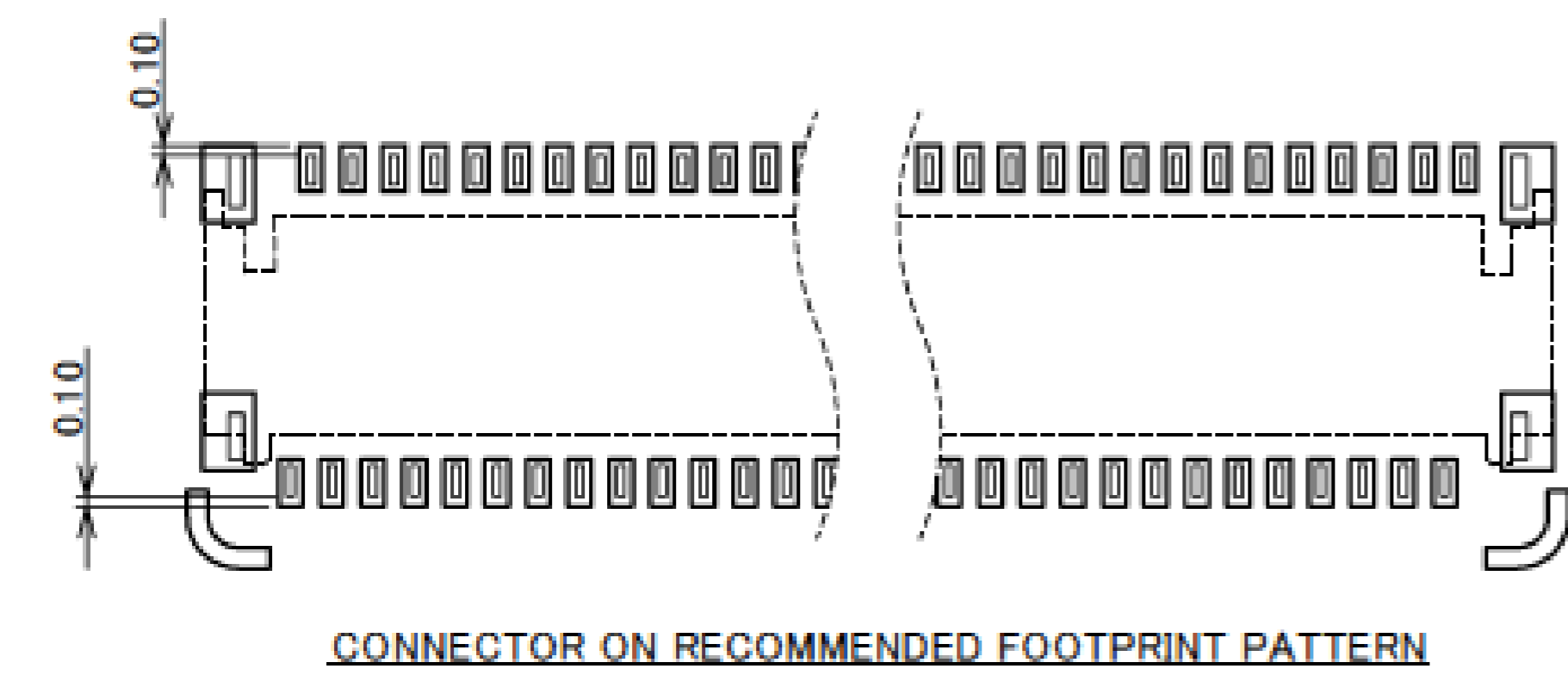
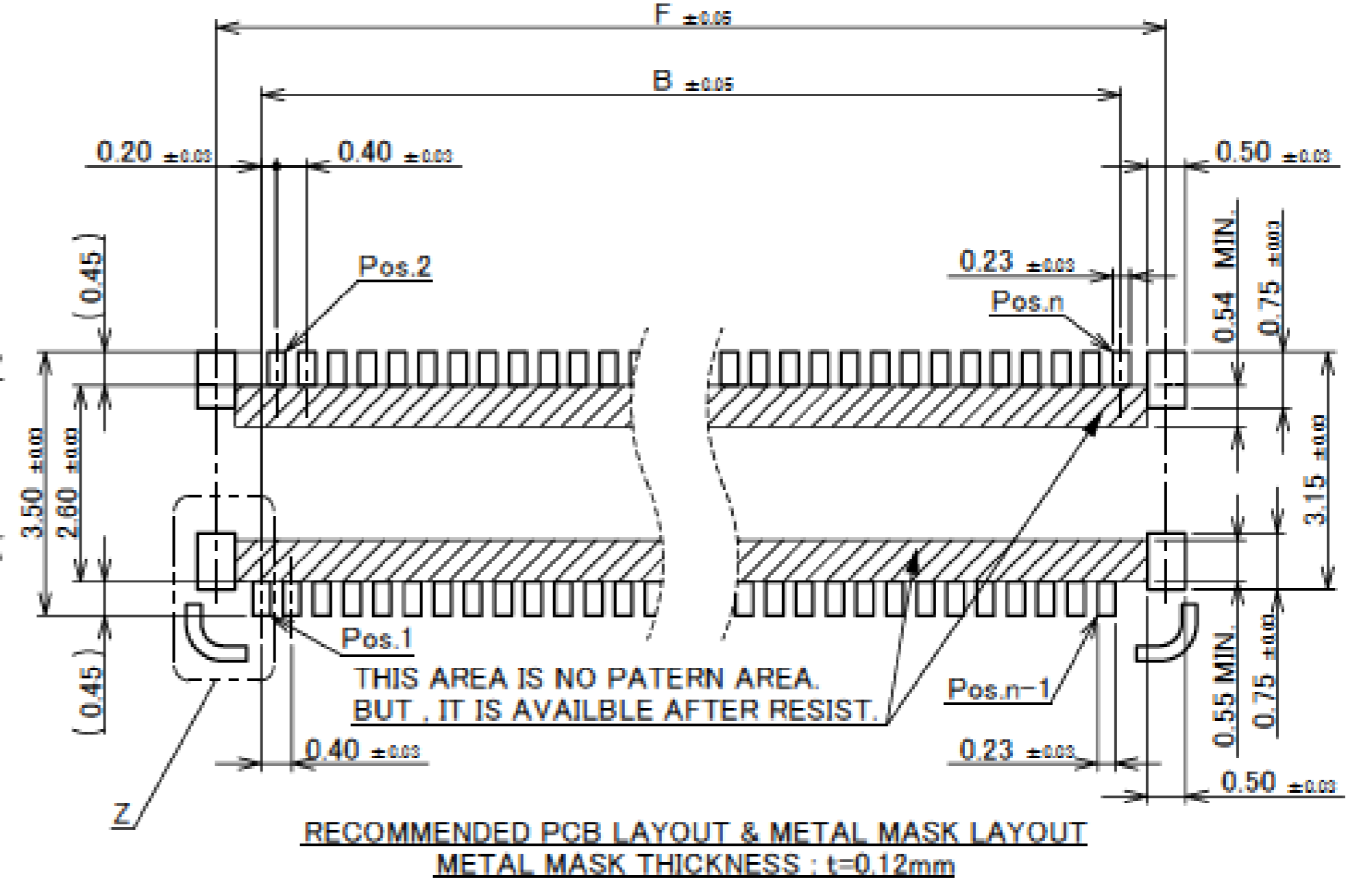
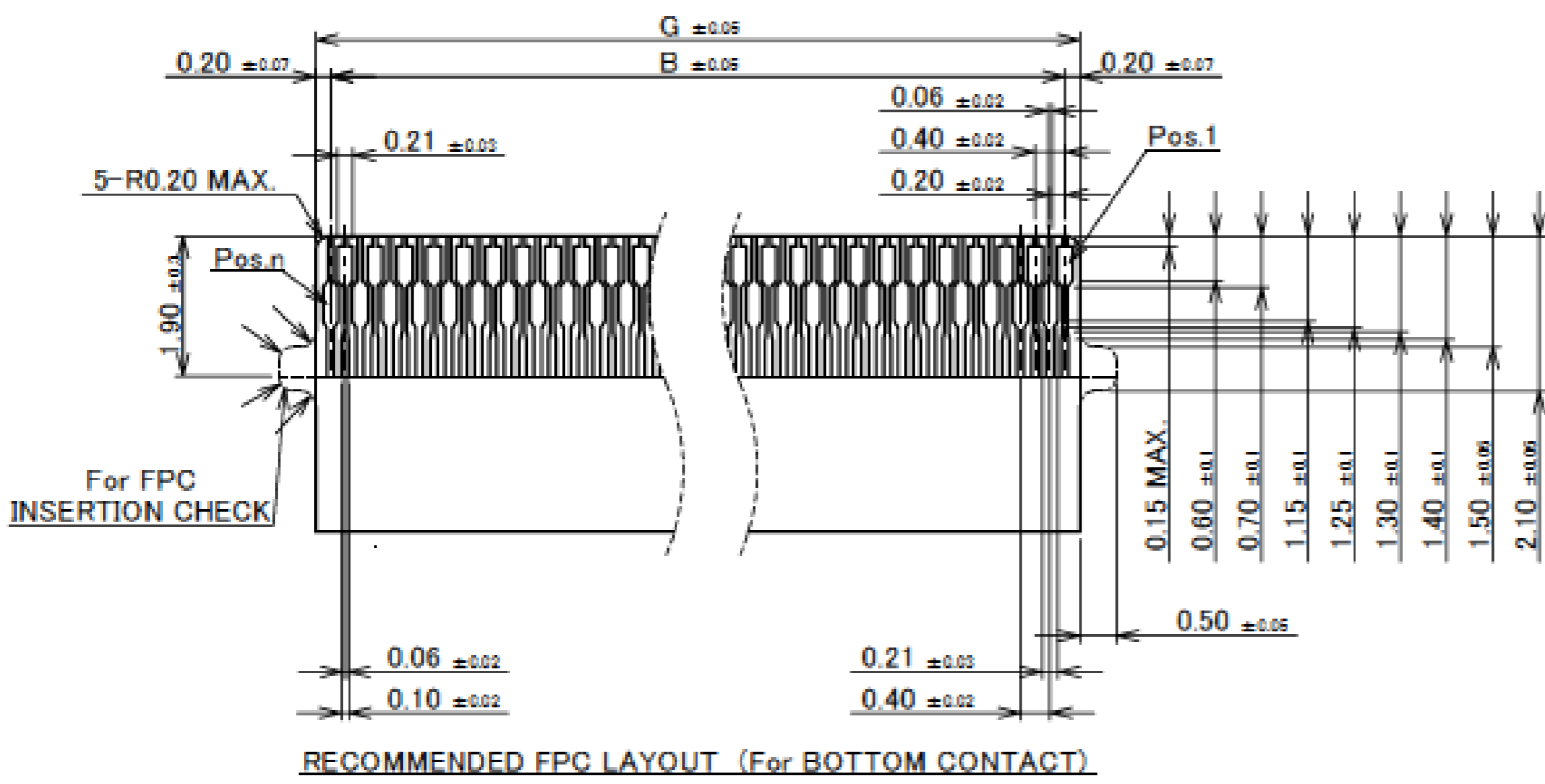
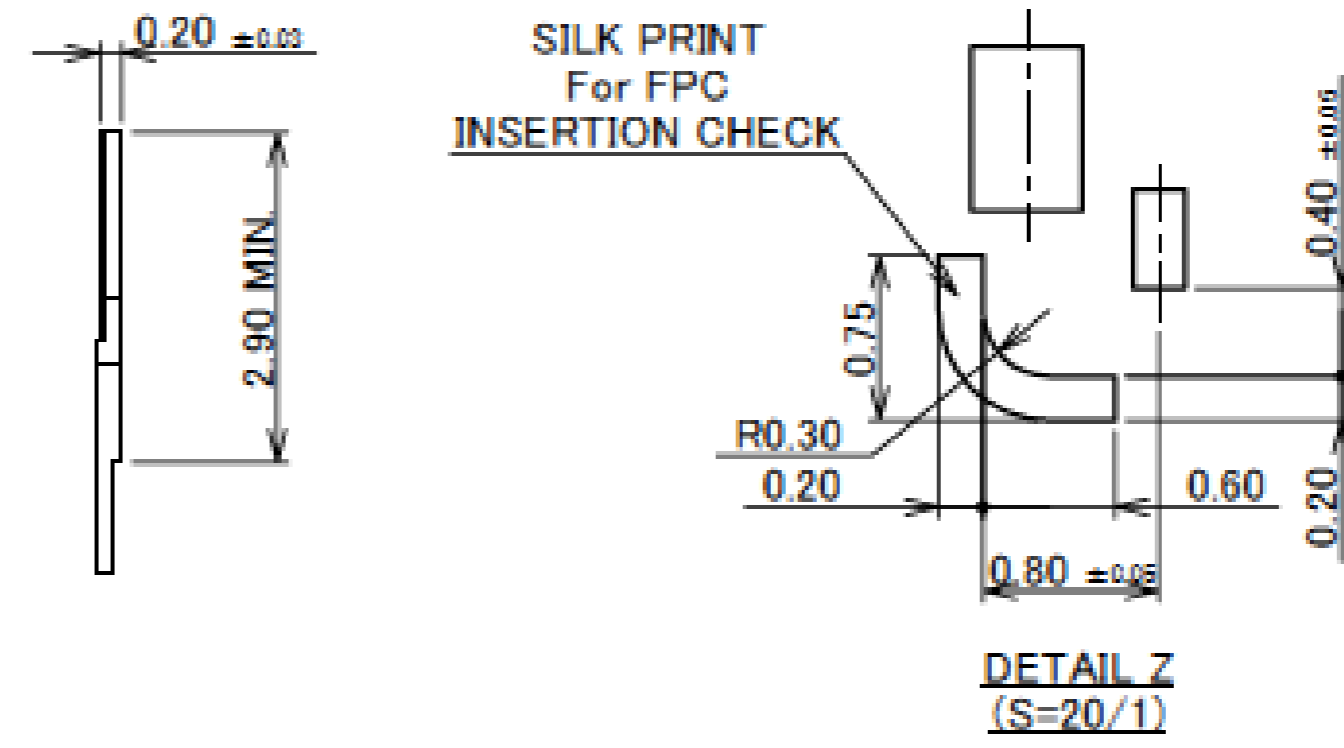
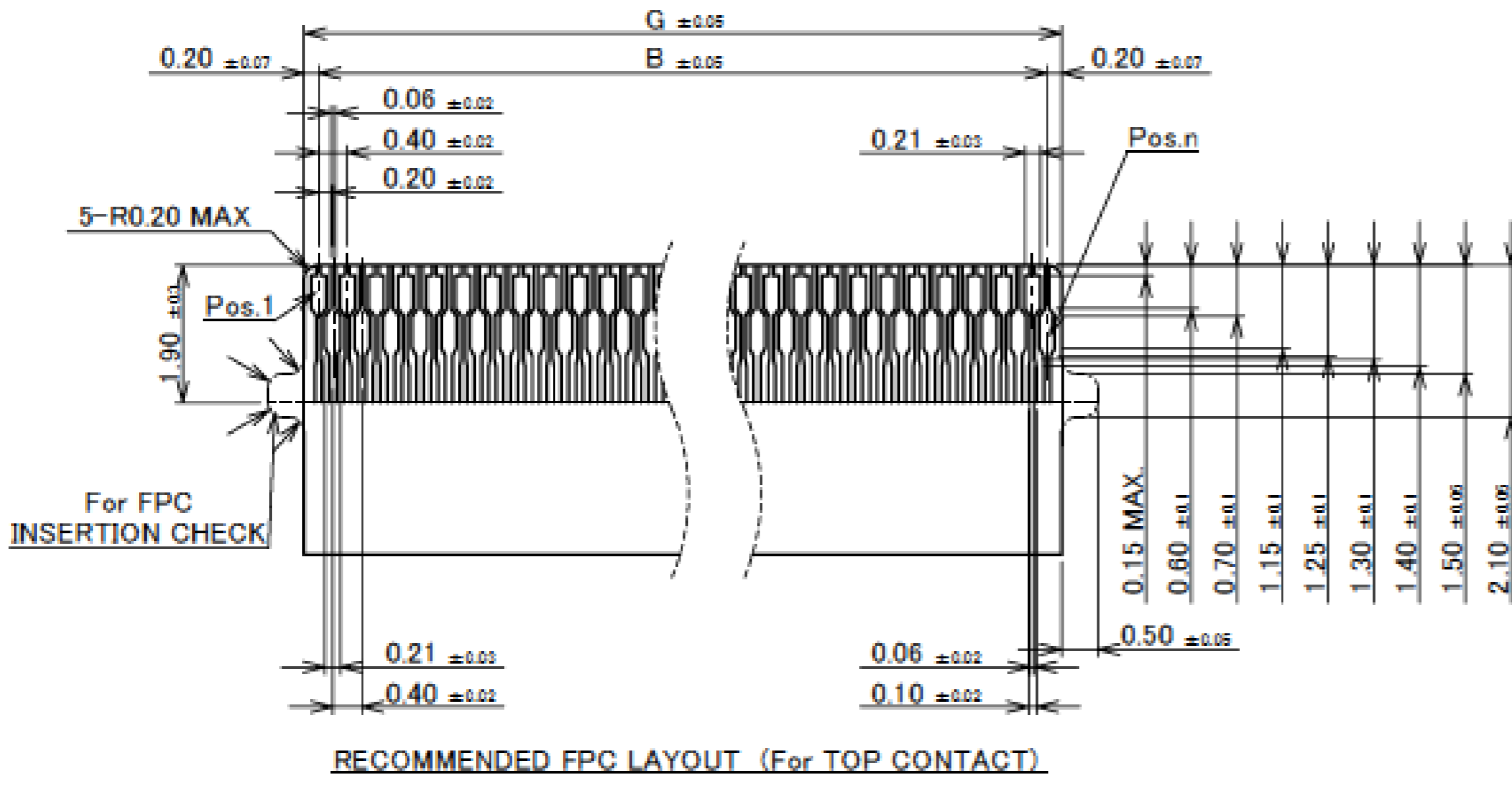


| NO. | DISCRIPTION | MATERIAL        | FINISH , REMARKS  |
|-----|-------------|-----------------|---|
| 5   | HOLD DOWN   | BRASS           | SOLDERING AREA :<br>Au 0.03 $\mu$ m MIN. OVER Ni 1.00 $\mu$ m MIN.              |
| 4   | CONTACT(B)  | PHOSPHOR BRONZE | CONTACT AREA&SOLDERING AREA :<br>Au 0.03 $\mu$ m MIN. OVER Ni 1.00 $\mu$ m MIN. |
| 3   | CONTACT(A)  | PHOSPHOR BRONZE | CONTACT AREA&SOLDERING AREA :<br>Au 0.03 $\mu$ m MIN. OVER Ni 1.00 $\mu$ m MIN. |
| 2   | ACTUATOR    | LCP             | UL94V-0,BLACK   |
| 1   | HOUSING     | LCP             | UL94V-0,BEIGE   |

# Connector Assembly

| PART No.       | Pos. | B     | F     | G     |
|----------------|------|-------|-------|-------|
| 20617-080E-01  | 80   | 15.80 | 17.00 | 16.20 |
| 20617-100E-01  | 100  | 19.80 | 21.00 | 20.20 |
| ◆20617-110E-01 | 110  | 21.80 | 23.00 | 22.20 |
| 20617-120E-01  | 120  | 23.80 | 25.00 | 24.20 |

◆ MARK MEANS NOT AVAILABLE.



REFLOW TEMPERATURE PROFILE  
 SENJU METAL INDUSTRY CO., LTD. : M705-SHF(Sn96.5 Ag3.0 Cu0.5)

Rev.11

Rev.11

## Connector Assembly

| ITEMS  | SPECIFICATION   |
|--|---|
| RATING VOLTAGE                                   | 50V AC (PER CONTACT PIN)  |
| RATING AMPERAGE                                  | 0.2A DC (PER CONTACT PIN)   |
| OPERATING TEMPERATURE                            | 233~358K(-40°C~+85°C)   |
| OPERATING HUMIDITY                               | 85% MAX.(NON-CONDENSING)  |
| CONTACT RESISTANCE                               | INITIAL : 100mohm MAX. / AFTER TEST : $\triangle$ 40mohm MAX.                         |
| INSULATION RESISTANCE                            | INITIAL : 100Mohm MIN. / AFTER TEST : 100Mohm MIN.                                    |
| DIELECTRIC WITHSTANDING VOLTAGE                  | AC150V 1min   |
| DURABILITY                                       | 20 CYCLES   |
| ACTUATOR LOCKING FORCE (INITIAL / 20TH CYCLES)   | INITIAL: 0.2N (20.4gf) $\times$ n MAX.<br>20 CYCLES : 0.2N (20.4gf) $\times$ n MAX.   |
| ACTUATOR UNLOCKING FORCE (INITIAL / 20TH CYCLES) | INITIAL: 0.014N (1.4gf) $\times$ n MIN.<br>20 CYCLES : 0.014N (1.4gf) $\times$ n MIN. |
| FPC RETENTION FORCE (INITIAL / 20TH CYCLES)      | INITIAL: 0.2N (20.4gf) $\times$ n MIN.<br>20 CYCLES : 0.2N (20.4gf) $\times$ n MIN.   |
| COPLANARITY                                      | 0.10 MAX.   |
| PRODUCT SPECIFICATION                            | PRS-2319  |
| TEST REPORT                                      | TR-16128  |
| PACKING STANDARD                                 | PST-16121   |
| INSTRUCTION MANUAL                               | HIM-16031   |
| APPEARANCE CRITERIA No.                          | QLS-A***  |

※ "n" IS THE NUMBER OF PIN




# Custom Connectors Available

 RF Connector

MHF® series



 CABLINE® series  
Micro-coaxial/Twinax/  
Discrete Wire Connector



 Optical Module

LIGHTPASS® series



NOVASTACK® series

 Board-to-Board Connector



 Power Connector/  
Terminal

AP series

ISH® series



MINIFLEX® series

EVAFLEX® series

 FPC FFC Connector

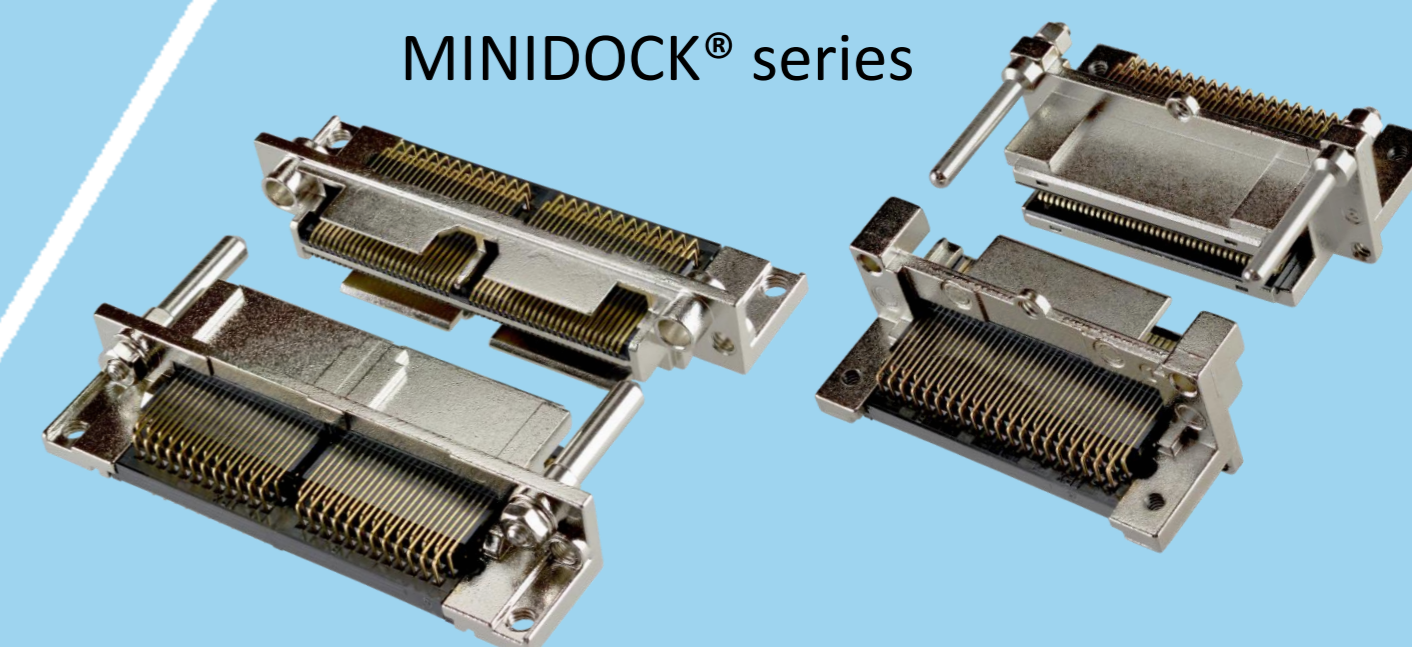


Inquiry



MINIDOCK® series

 I/O Connector



I-PEX, MHF, CABLINE, LIGHTPASS, NOVASTACK, ISH, IARPB, MINIFLEX, EVAFLEX, MINIDOCKS and ZenShield are registered trademarks of I-PEX Inc. Please note that the contents in the catalog might be changed without prior notification. I-PEX Inc. assumes no responsibility for any inaccuracies or obligation to update information on these documents. Please be sure to read and understand the latest "Precautions for Use" and "Instruction Manual" before you use our products. We shall not be responsible for any defects, damages or troubles in case you use our products without following the precautions for use. Please feel free to contact our sales representatives when you use our products for any applications that require very high reliability and safety, or that relate to human life (ex. nuclear power control, aerospace, transportation, medical equipment, safety equipment etc.).

Contact your sales representative or more detailed information.

[www.i-pex.com](http://www.i-pex.com)



# I-PEX

© I-PEX Inc. 2024  
All rights reserved