

MINIFLEX® 175-ST

초저배 (높이 = 0.52 mm), 0.175 mm Pitch, 수평 결합, 백플립

Product Specifications:

Board Pitch (mm)	0.175	
Wiping Length (mm)	Contact A: 0.85	
	Contact B: 0.40	
Size (mm)	Height	0.52+/-0.05
	Width	Formula: Even number pos. : 2.09 +(0.175*?p) Odd number pos. : 1.915 +(0.175*?p)
	Depth	Open: 2.65 Close: 3.0
Pin counts	Range	7-31 (odd)
	Available	16, 19

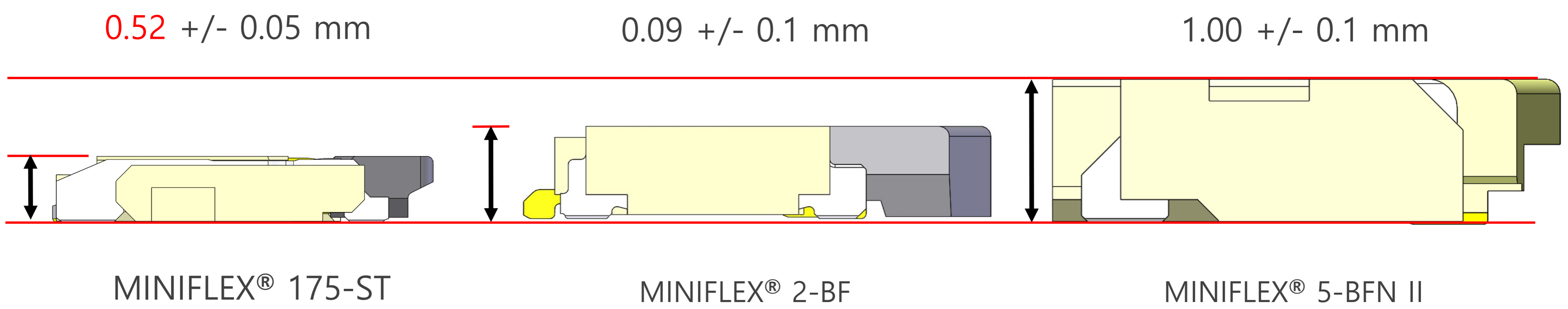
Applicable FPC/FFC:

FPC/FFC Contact Pitch	0.175
FPC/FFC Contact Point	Top
FPC/FFC Thickness (mm)	0.12 +/- 0.03

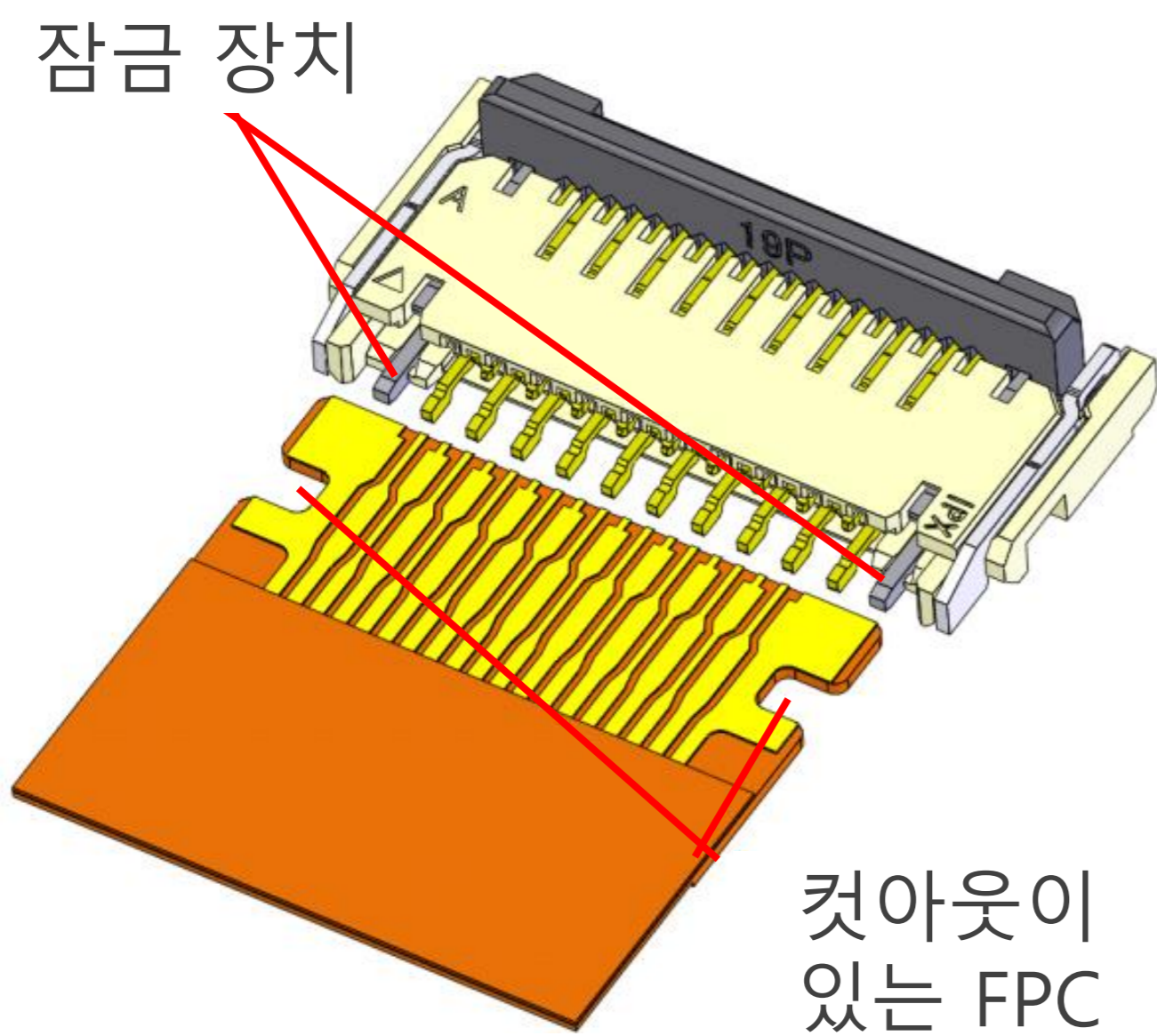


*기재가 되어있지 않은 핀 수의 대응 여부에 대해서는 문의해 부탁드립니다.

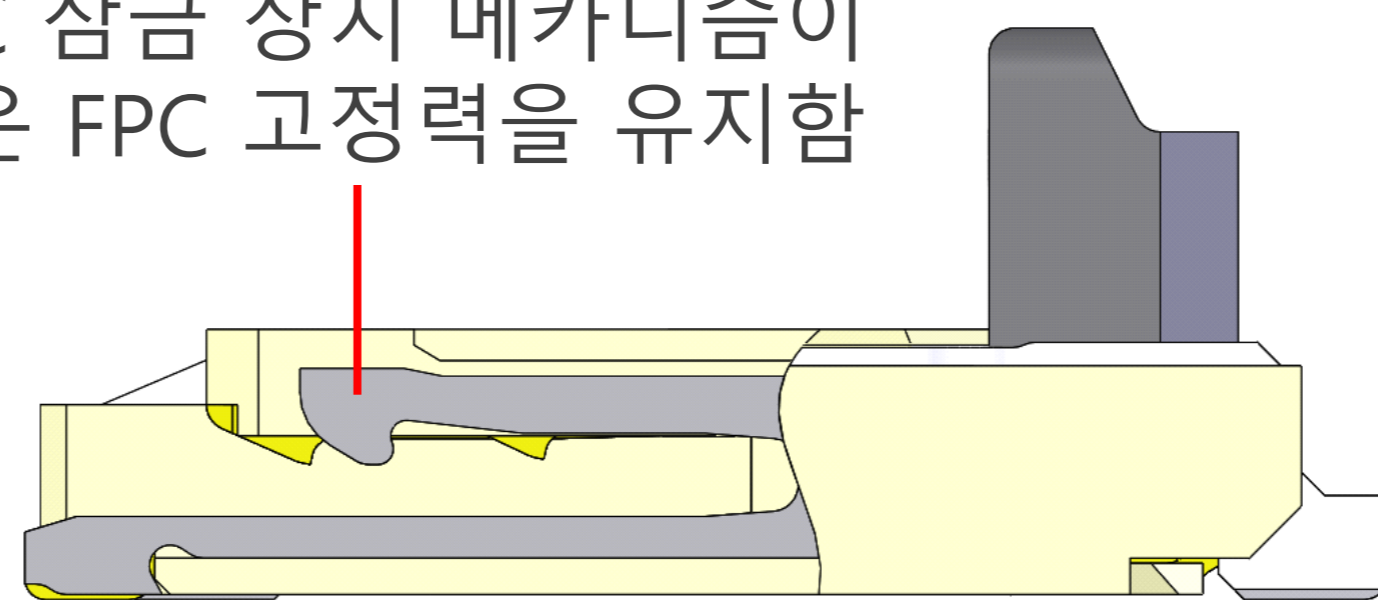
▶ 초저배 높이 0.52 mm



▶ 기계식 Lock 기능에 의한 높은 FPC 유지력



FPC 잠금 장치 메카니즘이 높은 FPC 고정력을 유지함

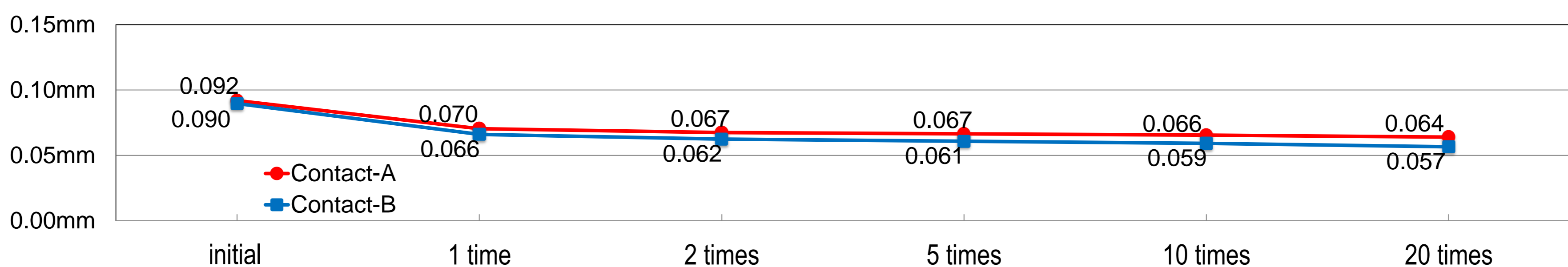


MINIFLEX® 175-ST (19 p)
7.634 N

▶ FPC 미삽입 상태에서도 액추에이터 닫기 조작 가능(단자 변형 최소화)

SMT 공정 후에 FPC를 삽입하지 않고 우연히 액추에이터를 닫은 경우에도 Contact 변형 최소화

- 커넥터가 여전히 안정적으로 작동합니다(FPC를 삽입하지 않은 상태에서 액추에이터 작동 전후 접촉 간격 그래프 19핀)



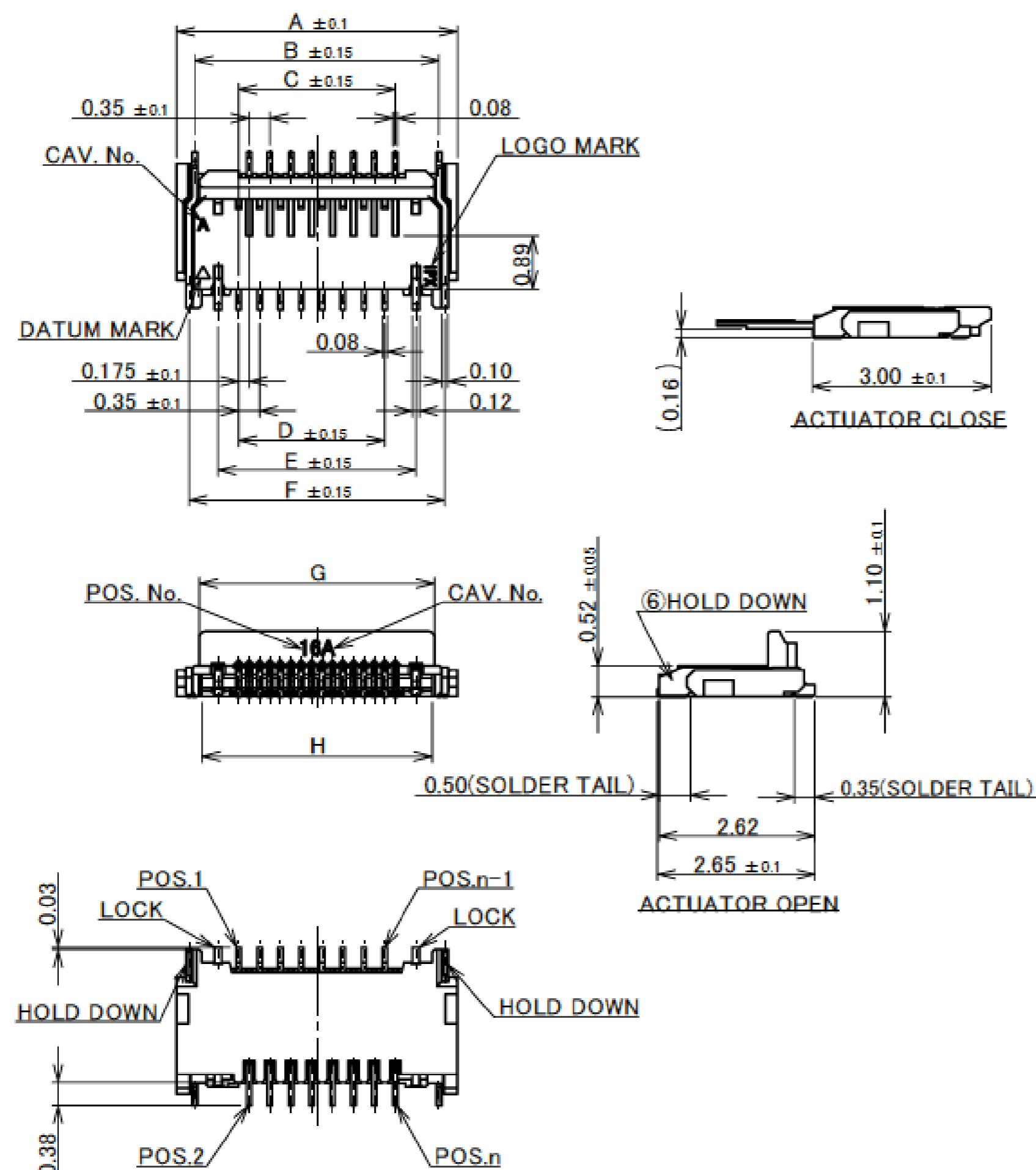
- 커넥터의 삽입력 상승
- 커넥터의 고정력은 큰 변화 없음

Component Parts Details

Connector Assembly

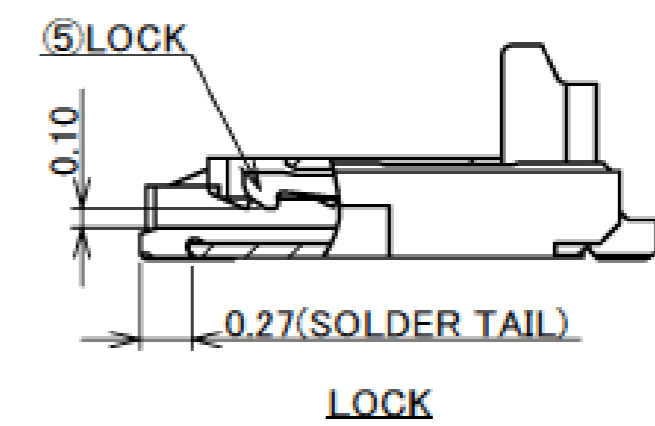
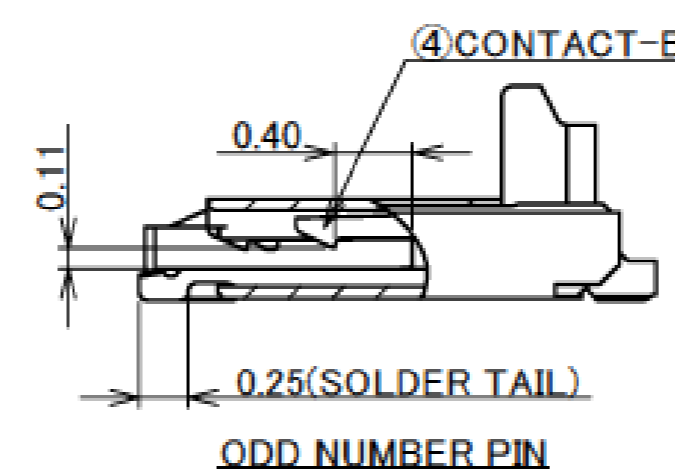
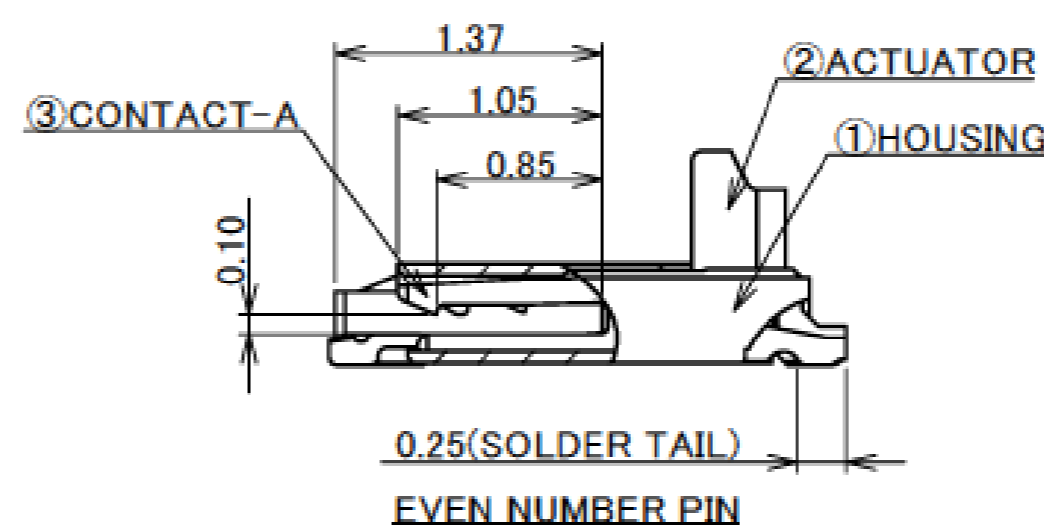
Recommended P/N		20622-0**E-02								
PART NO.	Pos.	A	B	C	D	E	F	G	H	
◆20622-008E-0#	8	3.315	2.700	1.225	1.050	1.925	2.900	2.540	2.480	
◆20622-010E-0#	10	3.665	3.050	1.575	1.400	2.275	3.250	2.890	2.810	
◆20622-012E-0#	12	4.015	3.400	1.925	1.750	2.625	3.600	3.240	3.160	
◆20622-014E-0#	14	4.365	3.750	2.275	2.100	2.975	3.950	3.590	3.510	
◆20622-016E-0#	16	4.715	4.100	2.625	2.450	3.325	4.300	3.940	3.860	
◆20622-018E-0#	18	5.065	4.450	2.975	2.800	3.675	4.650	4.290	4.210	
◆20622-020E-0#	20	5.415	4.800	3.325	3.150	4.025	5.000	4.640	4.560	
◆20622-022E-0#	22	5.765	5.150	3.675	3.500	4.375	5.350	4.990	4.910	
◆20622-024E-0#	24	6.115	5.500	4.025	3.850	4.725	5.700	5.340	5.260	
◆20622-026E-0#	26	6.465	5.850	4.375	4.200	5.075	6.050	5.690	5.610	
◆20622-028E-0#	28	6.815	6.200	4.725	4.550	5.425	6.400	6.040	5.960	
◆20622-030E-0#	30	7.165	6.550	5.075	4.900	5.775	6.750	6.390	6.310	

◆ MARK MEANS NOT AVAILABLE



P/N : 20622-0**E-0#

1 : HOUSING COLOR : BLACK
2 : HOUSING COLOR : BEIGE
POS.



NOTES.
1. CONTACT POINT: ONLY TOP CONTACT

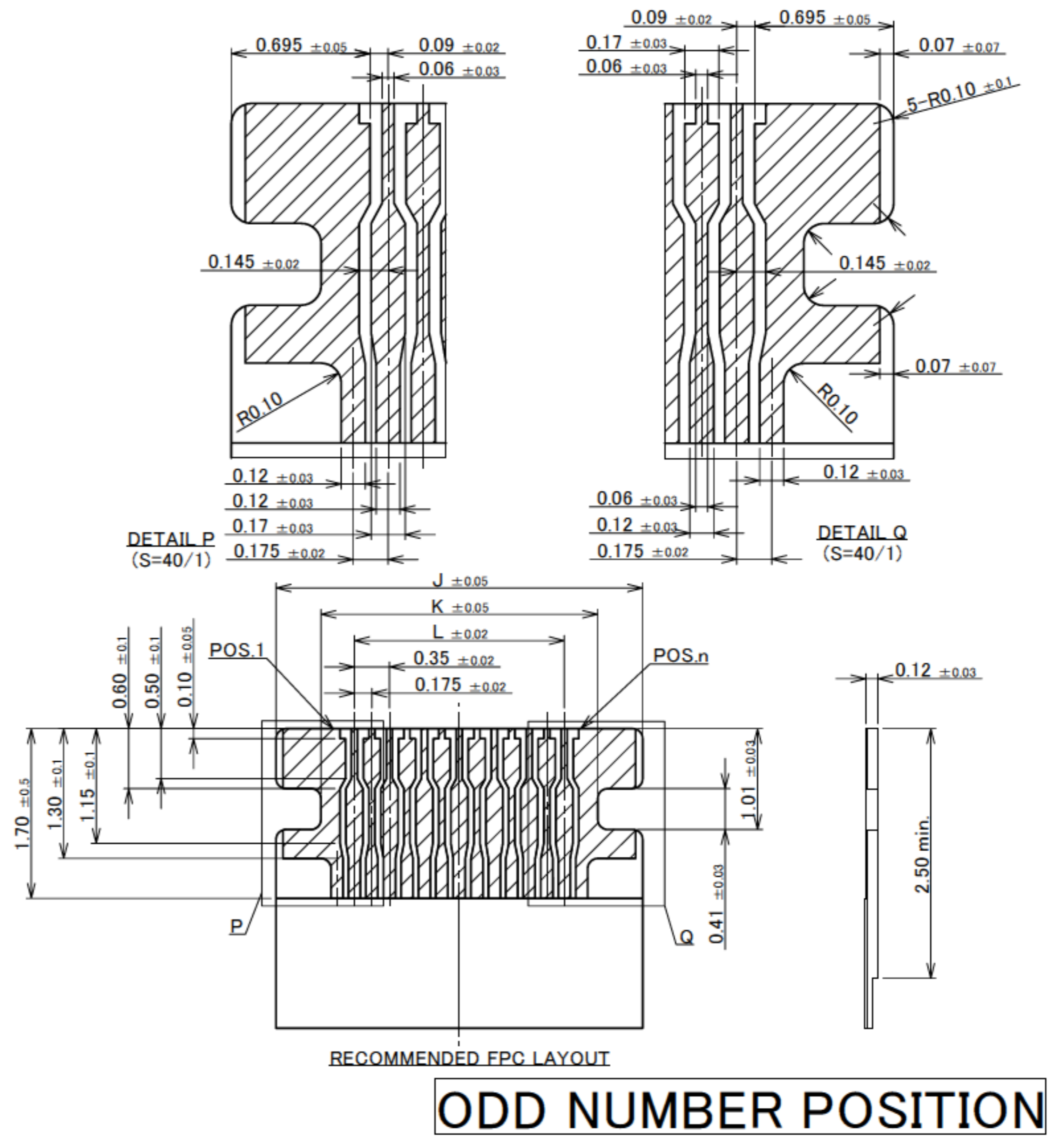
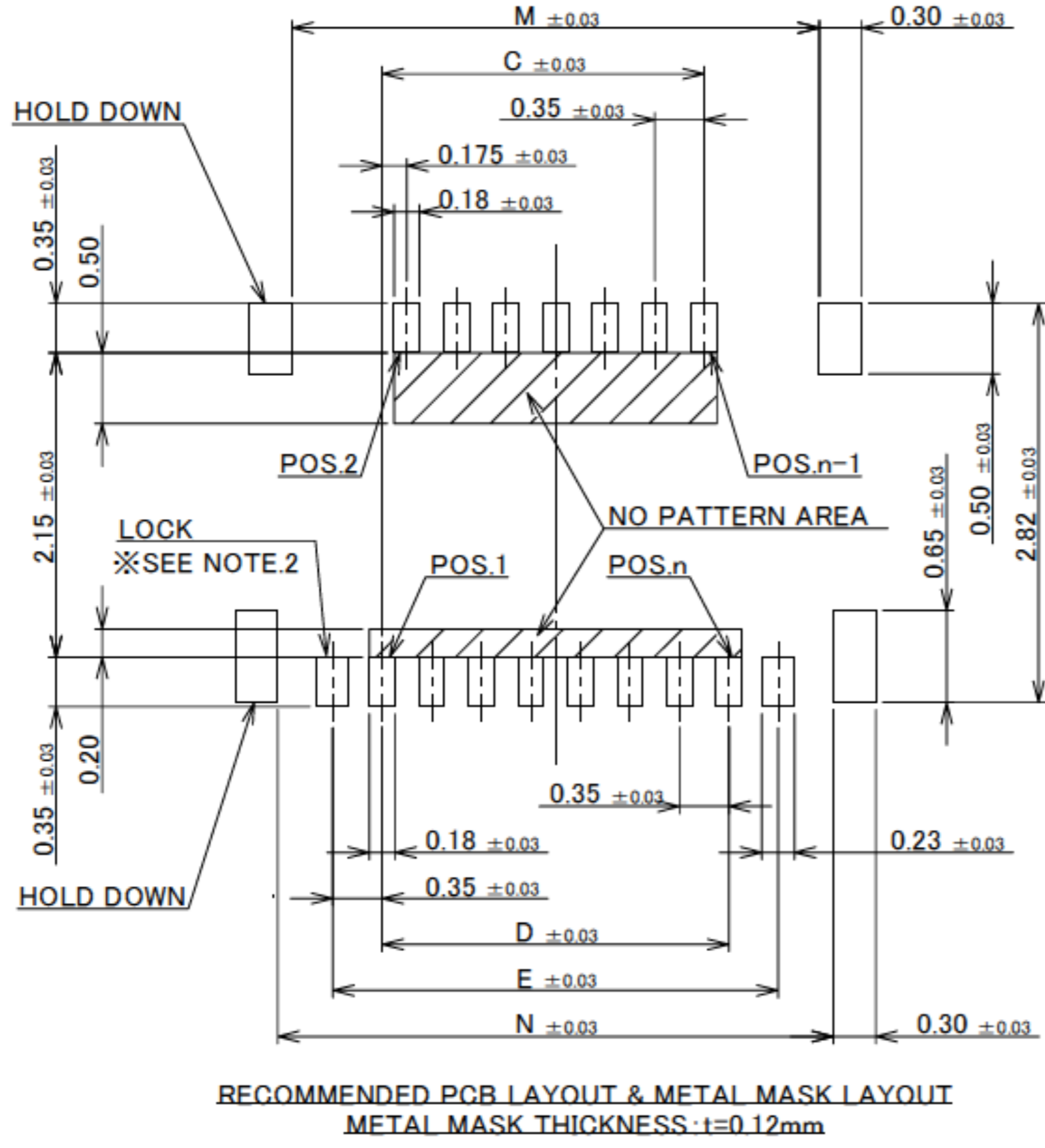
EVEN NUMBER POSITION

6	HOLD DOWN	PHOSPHOR BRONZE	SOLDERING AREA : Au 0.02 μm MIN. OVER Ni 1.00 μm MIN.
5	LOCK	PHOSPHOR BRONZE	ALL OVER Ni 1.00 μm MIN. SOLDERING AREA : Au 0.03 μm MIN.
4	CONTACT-B	PHOSPHOR BRONZE	CONTACT AREA : Au 0.10 μm MIN. OVER Ni 1.00 μm MIN. SOLDERING AREA : Au 0.03 μm MIN. OVER Ni 1.00 μm MIN.
3	CONTACT-A	PHOSPHOR BRONZE	CONTACT AREA : Au 0.10 μm MIN. OVER Ni 1.00 μm MIN. SOLDERING AREA : Au 0.03 μm MIN. OVER Ni 1.00 μm MIN.
2	ACTUATOR	LCP	UL94V-0, BLACK
1	HOUSING	LCP	UL94V-0, BLACK or BEIGE
NO.	DISCRIPTION	MATERIAL	FINISH , REMARKS

Connector Assembly

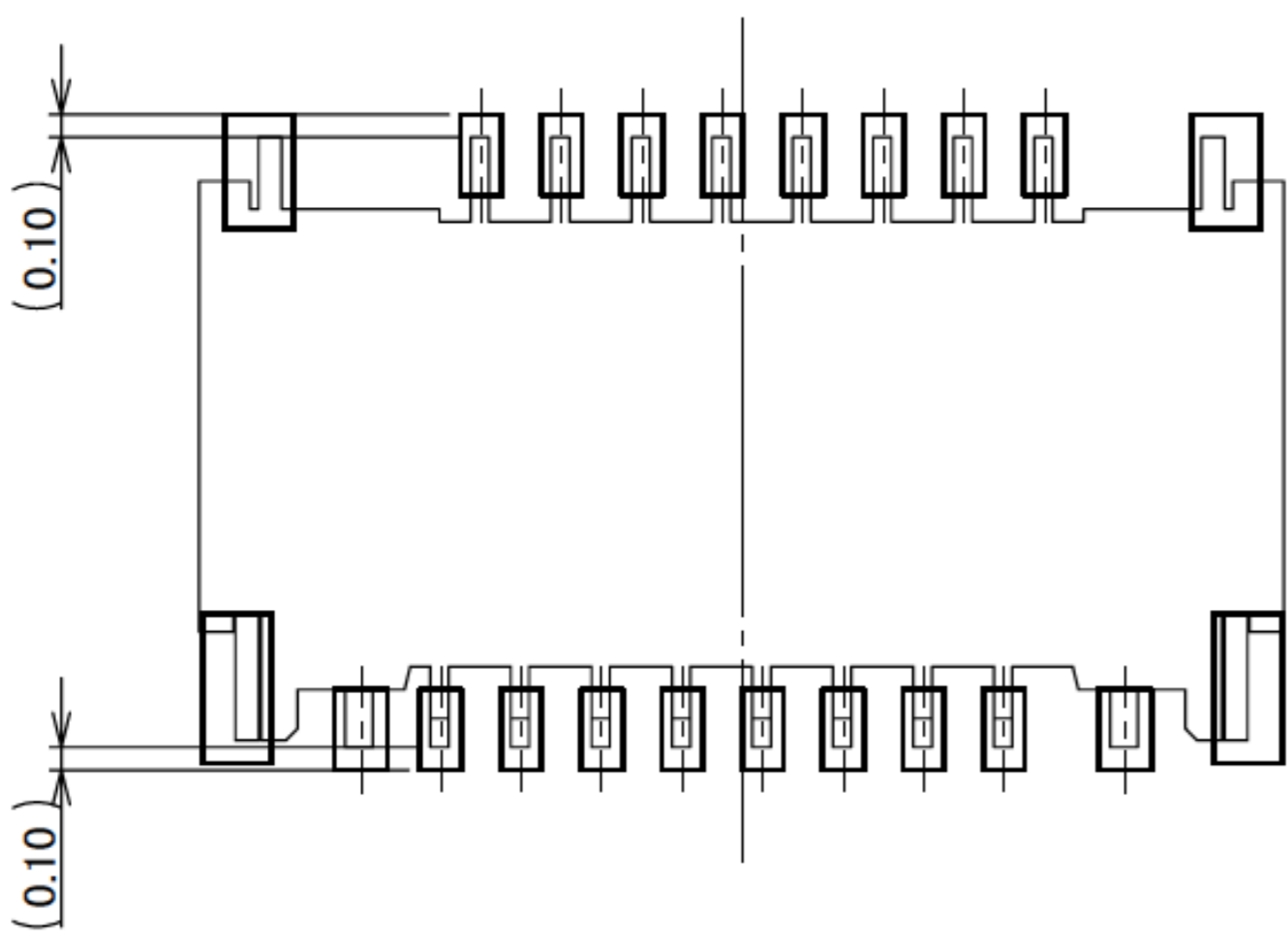
PART NO.	Pos.	C	D	E	J	K	L	M	N
◆20622-007E-0#	7	0.875	1.050	1.750	2.270	1.370	0.700	2.325	2.525
◆20622-009E-0#	9	1.225	1.400	2.100	2.620	1.720	1.050	2.675	2.875
◆20622-011E-0#	11	1.575	1.750	2.450	2.970	2.070	1.400	3.025	3.225
◆20622-013E-0#	13	1.925	2.100	2.800	3.320	2.420	1.750	3.375	3.575
◆20622-015E-0#	15	2.275	2.450	3.150	3.670	2.770	2.100	3.725	3.925
◆20622-017E-0#	17	2.625	2.800	3.500	4.020	3.120	2.450	4.075	4.275
◆20622-019E-0#	19	2.975	3.150	3.850	4.370	3.470	2.800	4.425	4.625
◆20622-021E-0#	21	3.325	3.500	4.200	4.720	3.820	3.150	4.775	4.975
◆20622-023E-0#	23	3.675	3.850	4.550	5.070	4.170	3.500	5.125	5.325
◆20622-025E-0#	25	4.025	4.200	4.900	5.420	4.520	3.850	5.475	5.675
◆20622-027E-0#	27	4.375	4.550	5.250	5.770	4.870	4.200	5.825	6.025
◆20622-029E-0#	29	4.725	4.900	5.600	6.120	5.220	4.550	6.175	6.375
◆20622-031E-0#	31	5.075	5.250	5.950	6.470	5.570	4.900	6.525	6.725

◆MARK MEANS NOT AVAILABLE

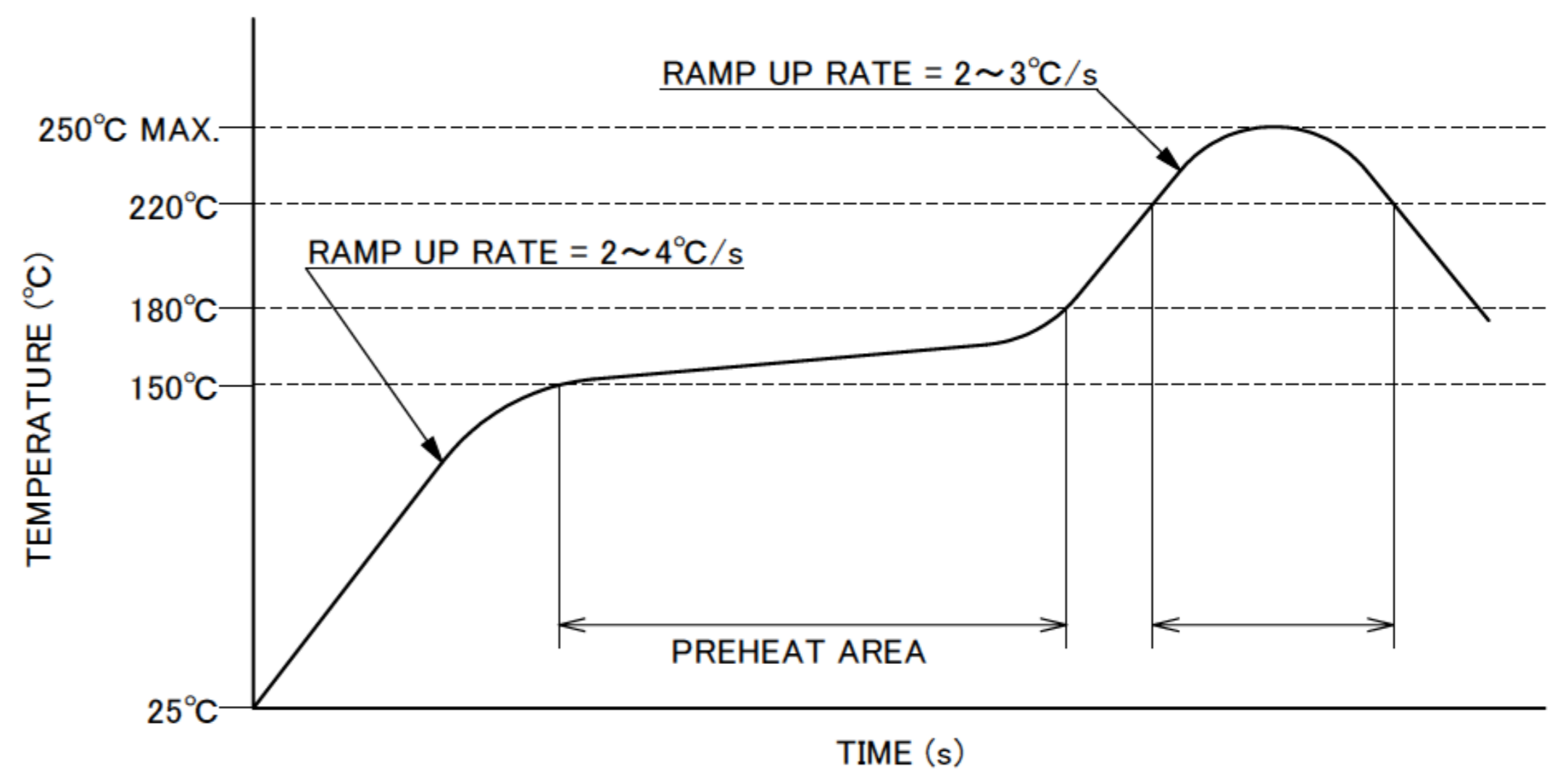


Rev.5

Plug Housing Assembly



CONNECTOR ON RECOMMENDED FOOTPRINT PATTERN



REFLOW TEMPERATURE PROFILE
SENJU METAL INDUSTRY CO., LTD. : M705-SHF(Sn96.5 Ag3.0 Cu0.5)

Rev.5

Connector Assembly

ITEMS	SPECIFICATION
RATING VOLTAGE	50V AC (PER CONTACT)
RATING AMPERAGE (FOR SIGNAL CONTACT)	0.3A DC (PER CONTACT) , 6.0A DC (PER CONNECTOR)
OPERATING TEMPERATURE	233~358K (-40°C~+85°C)
OPERATING HUMIDITY	20~80%RH (NON-CONDENSING)
CONTACT RESISTANCE (FOR SIGNAL CONTACT)	INITIAL : 80mohm MAX. / AFTER TEST : \triangle 40mohm MAX.
INSULATION RESISTANCE	INITIAL : 100Mohm MIN. / AFTER TEST : 100Mohm MIN.
DIELECTRIC WITHSTANDING VOLTAGE	AC200V 1min
DURABILITY	20 CYCLES
ACTUATOR LOCKING FORCE (INITIAL / AFTER 20CYCLES)	16P : 5.40N MAX. 19P : 6.30N MAX.
ACTUATOR UNLOCKING FORCE (INITIAL / AFTER 20CYCLES)	16P : 0.18N MIN. 19P : 0.21N MIN.
COPLANARITY	0.10 MAX.
PRODUCT SPECIFICATION	PRS-2024
TEST REPORT	TR-15076
PACKING STANDARD	PST-15073
INSTRUCTION MANUAL	HIM-16036
APPEARANCE CRITERIA No.	QLS-A***


Rev.5

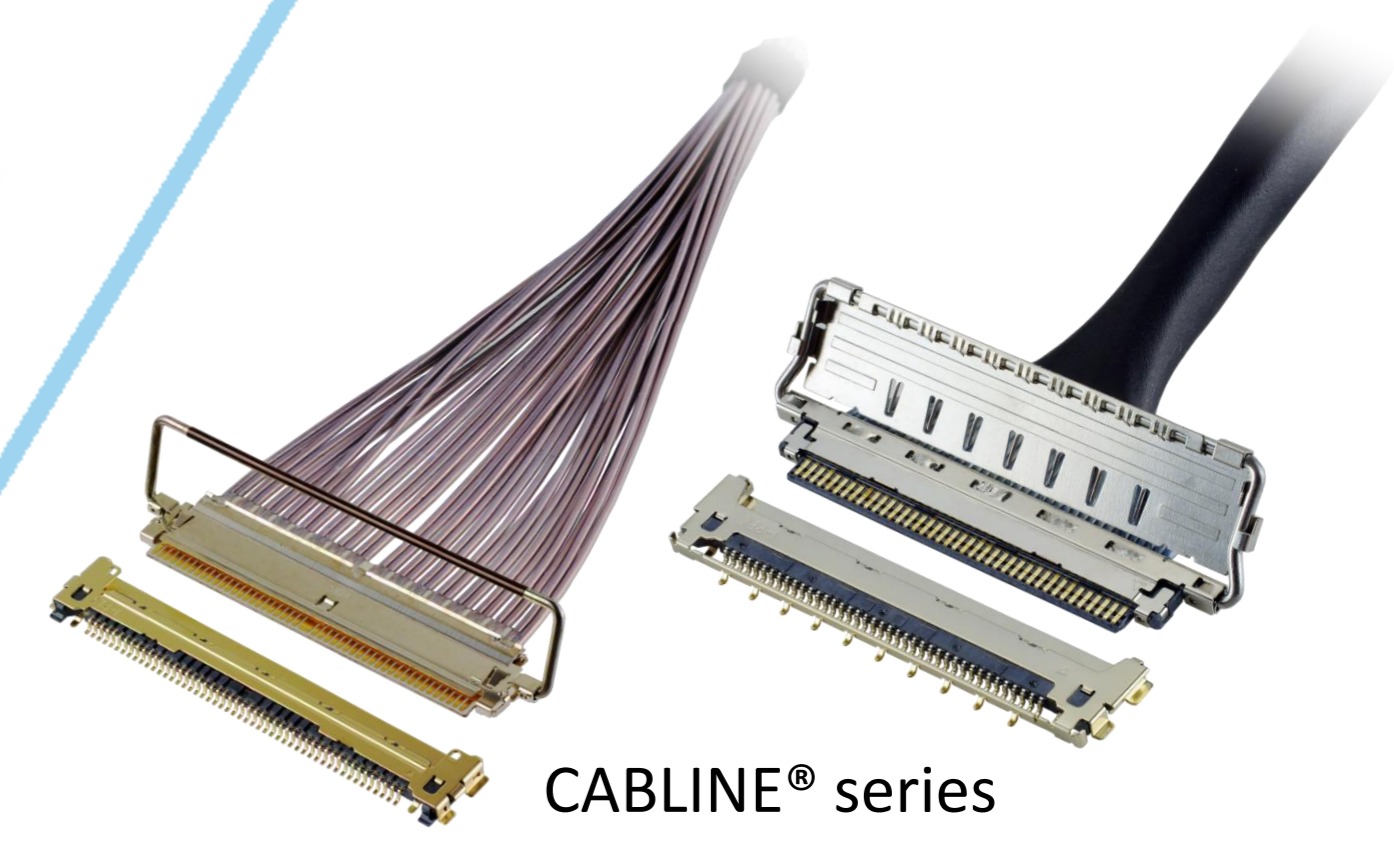
Custom Connectors Available

 RF Connector

MHF® series



 CABLINE® series
Micro-coaxial/Twinax/
Discrete Wire Connector



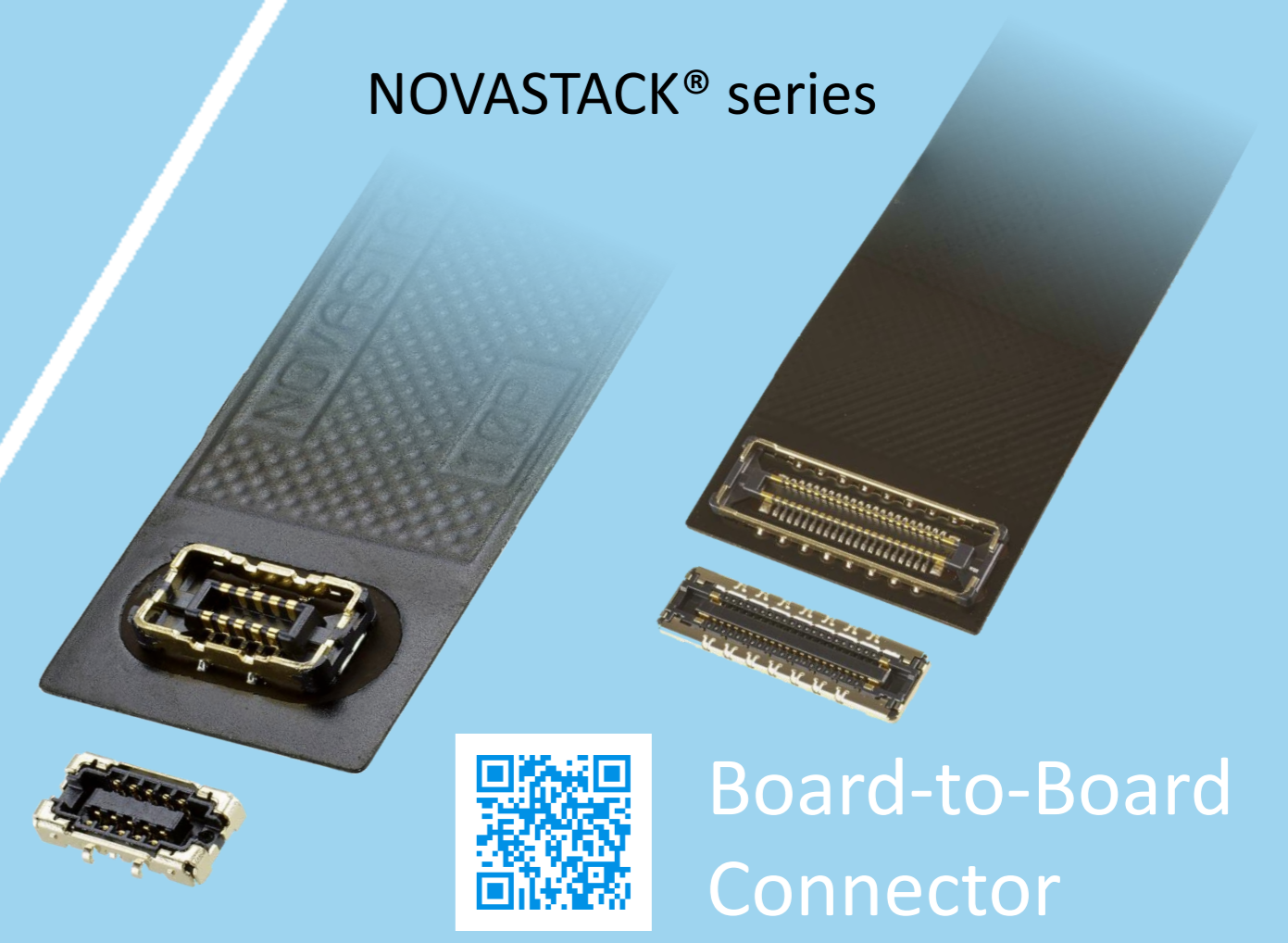
 Optical Module

LIGHTPASS® series



NOVASTACK® series

 Board-to-Board Connector



 Power Connector/
Terminal

AP series

ISH® series



MINIFLEX® series

EVAFLEX® series

 FPC FFC Connector

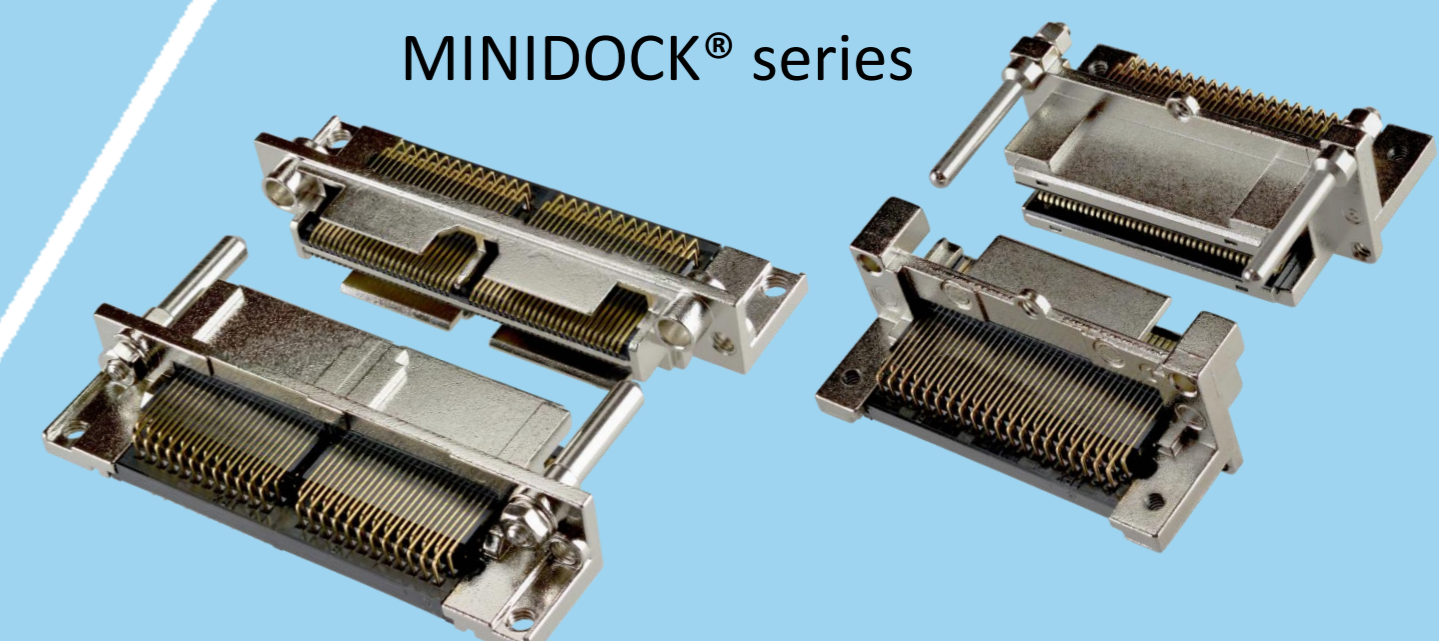


Inquiry



MINIDOCK® series

 I/O Connector



I-PEX, MHF, CABLINE, LIGHTPASS, NOVASTACK, ISH, IARPB, MINIFLEX, EVAFLEX, MINIDOCKS and ZenShield are registered trademarks of I-PEX Inc. Please note that the contents in the catalog might be changed without prior notification. I-PEX Inc. assumes no responsibility for any inaccuracies or obligation to update information on these documents. Please be sure to read and understand the latest "Precautions for Use" and "Instruction Manual" before you use our products. We shall not be responsible for any defects, damages or troubles in case you use our products without following the precautions for use. Please feel free to contact our sales representatives when you use our products for any applications that require very high reliability and safety, or that relate to human life (ex. nuclear power control, aerospace, transportation, medical equipment, safety equipment etc.).

Contact your sales representative or more detailed information.

www.i-pex.com



I-PEX

© I-PEX Inc. 2024
All rights reserved