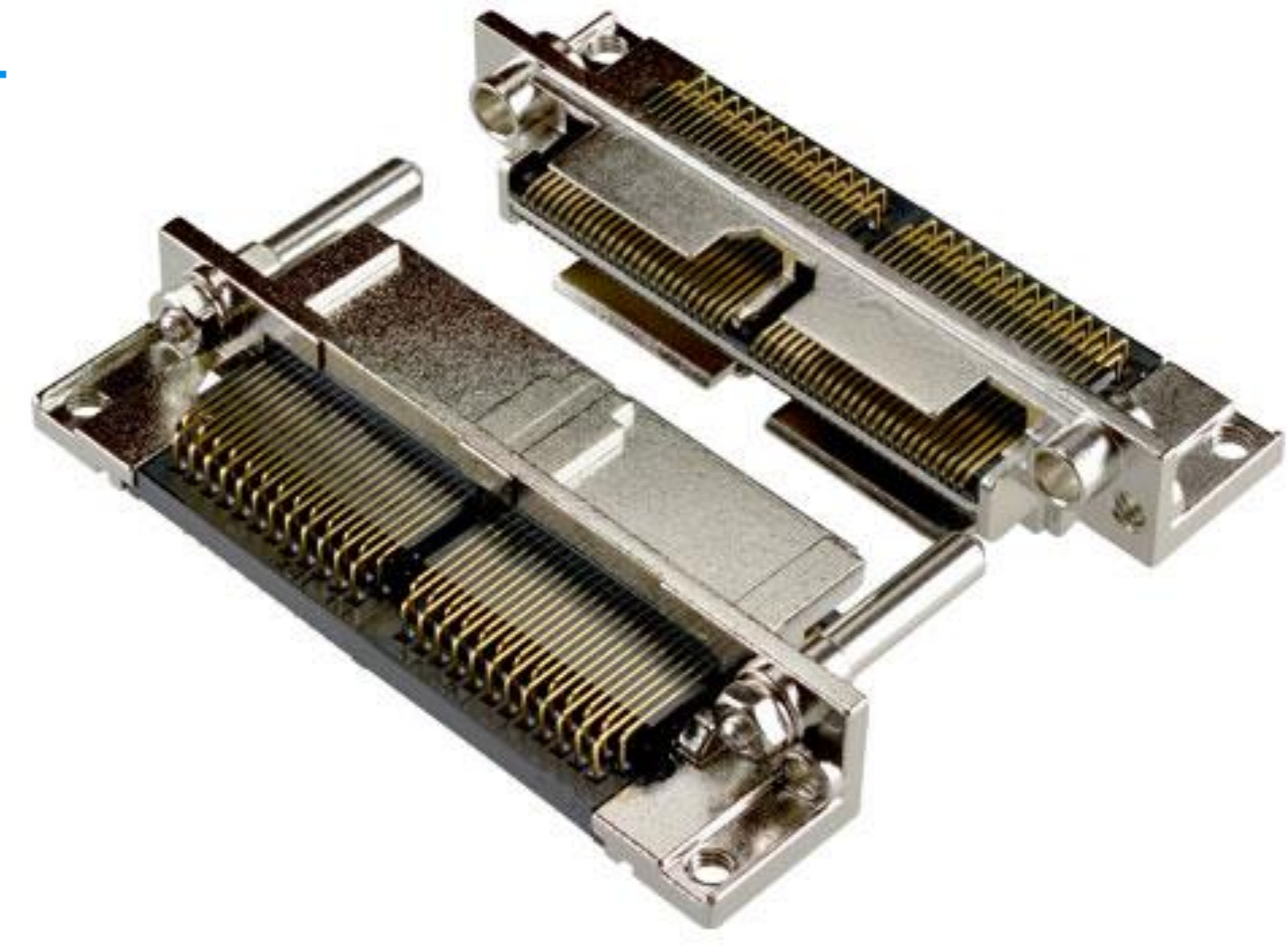


MINIDOCK™ STANDARD

稳固的高pin数 Docking I/O连接器



Product Specifications:

Board Pitch (mm)		0.635
Size (mm)	Height	9.9 ~ 16.9 mm (Plug) 11.13 ~ 22.53 mm (Rece)
	Width	36.0 ~ 96.10 mm (Plug / Rece)
	Depth	9.9 ~ 17.8 mm (Plug) 11.13 ~ 22.53 mm (Rece)
Rating	Amperage	0.5 A AC/DC (Per Contact Pin)
	Voltage	250 V AC/DC (Per Contact Pin)

*如您需要了解未列出或不在范围内的Pin数，请咨询我们。

▶ 适合于多种应用的稳固型连接器(移动设备、仪器仪表、医疗器械等)

标准型公座:

料号	Pin数	嵌合类型	端子类型	外观
30001	100, 240	直角	全长Pin 标准类型	
30094	200		全长Pin 偏移类型	

标准型母座:

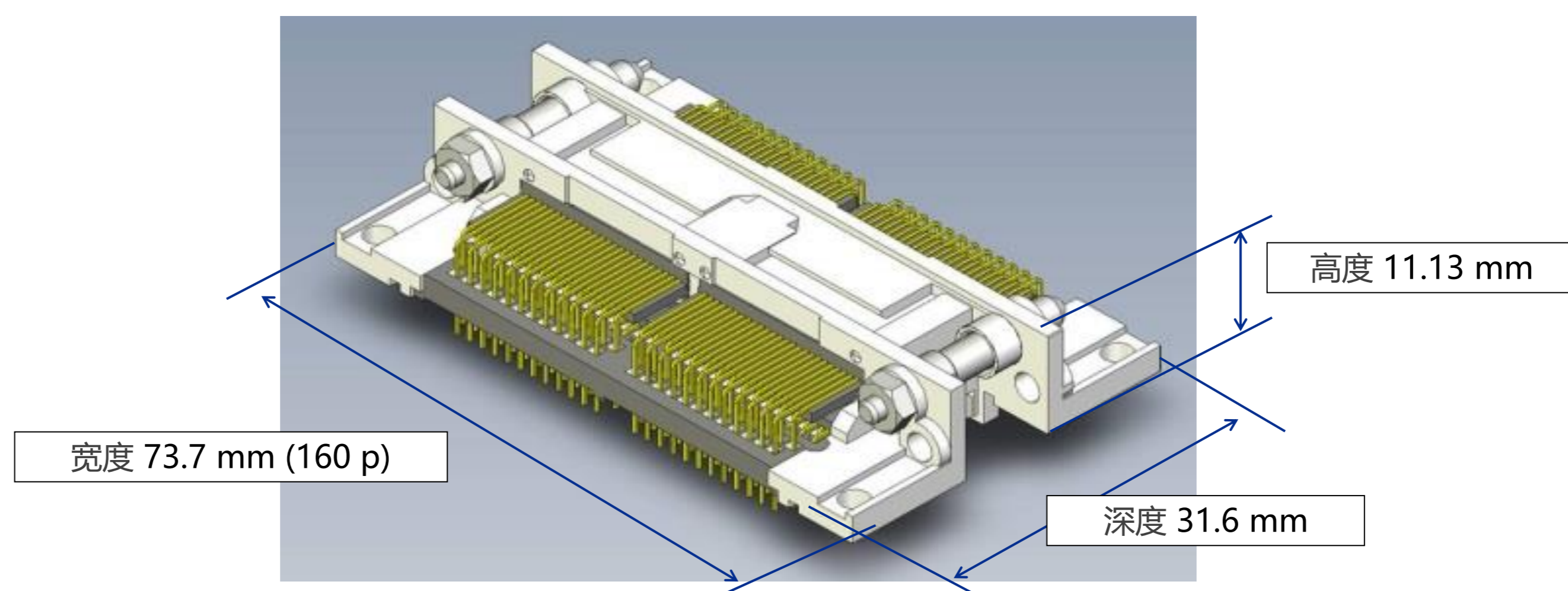
料号	Pin数	嵌合类型	端子类型
30002	100, 240	直角	
30007	200	垂直	

▶ 高达 5,000 次的插拔寿命

直角公座-直角母座一对

料号

- 公座 30001
- 母座 30002

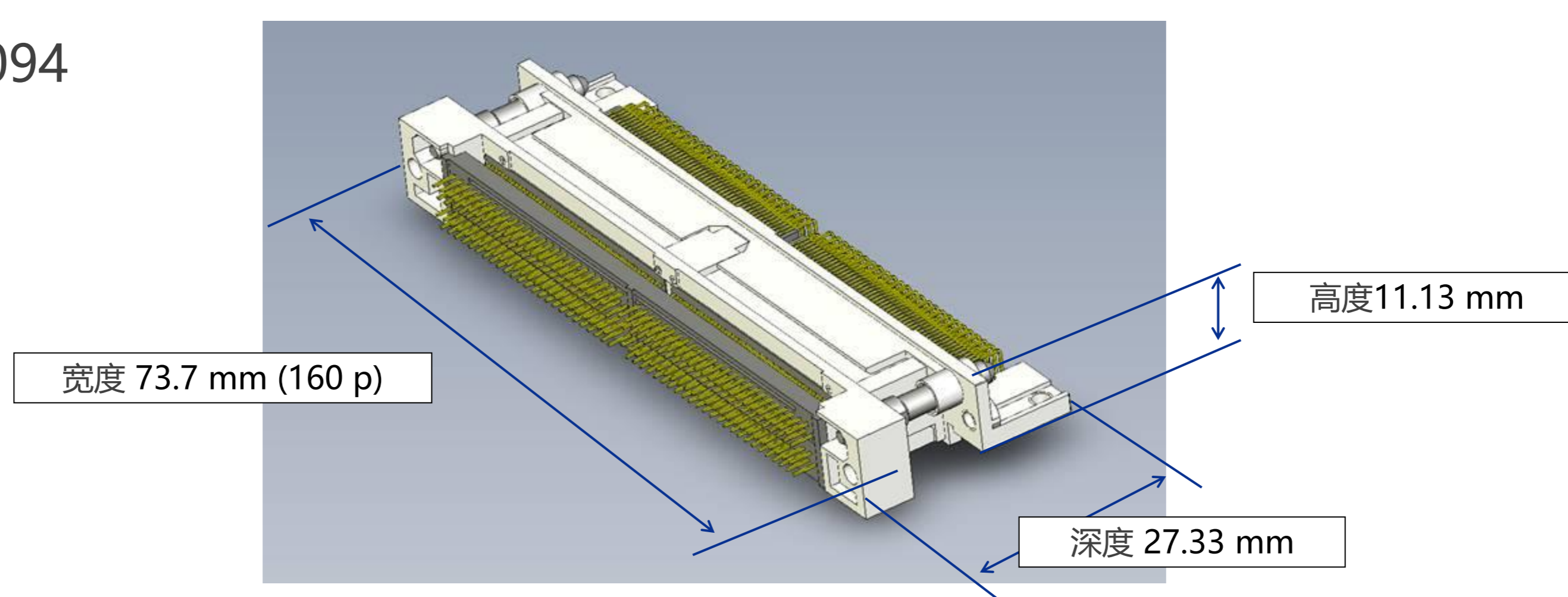


▶ 可选带螺丝的款式，具备理想的锁扣功能

直角公座-直角母座一对

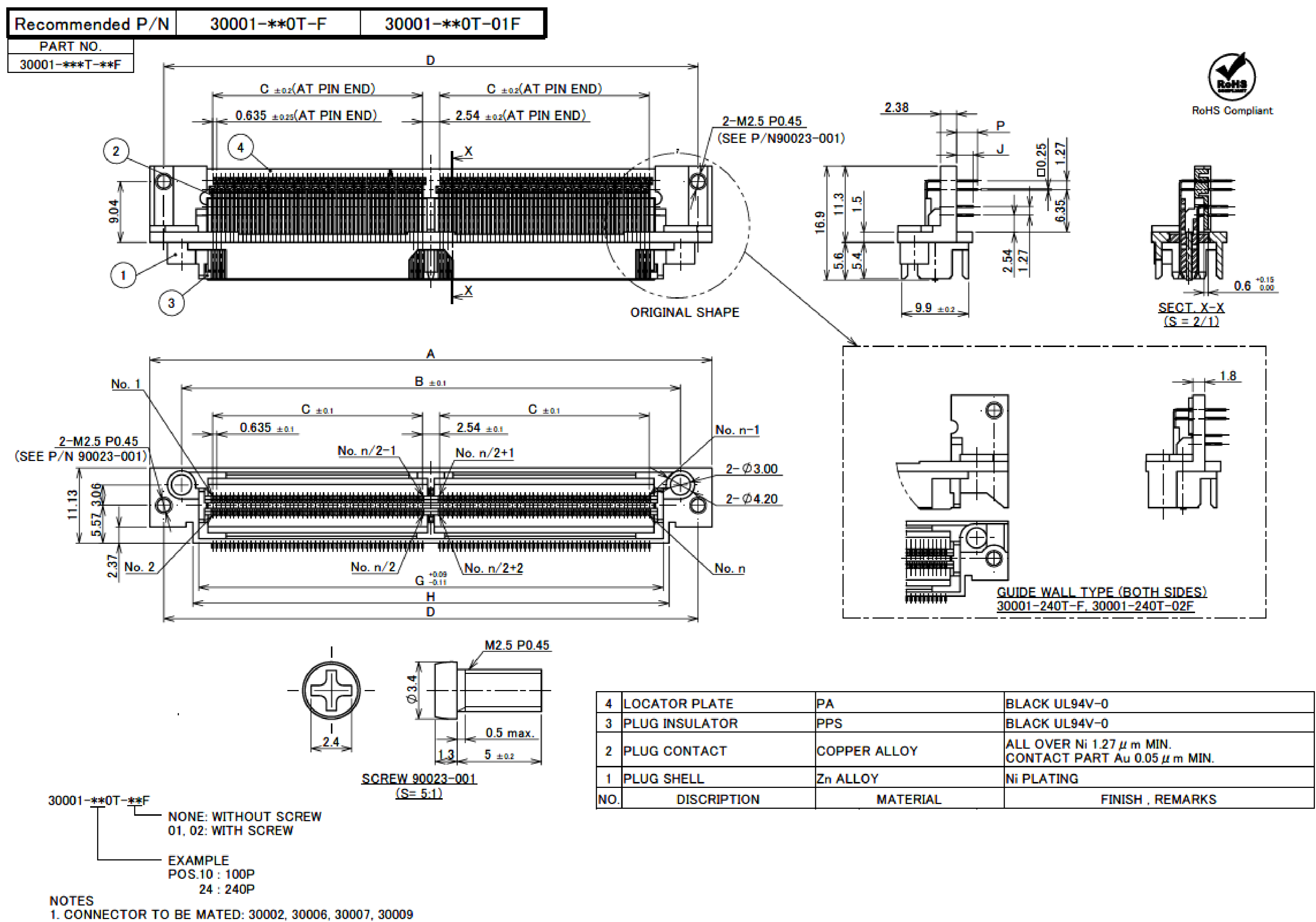
料号

- 公座 30001, 30094
- 母座 30007



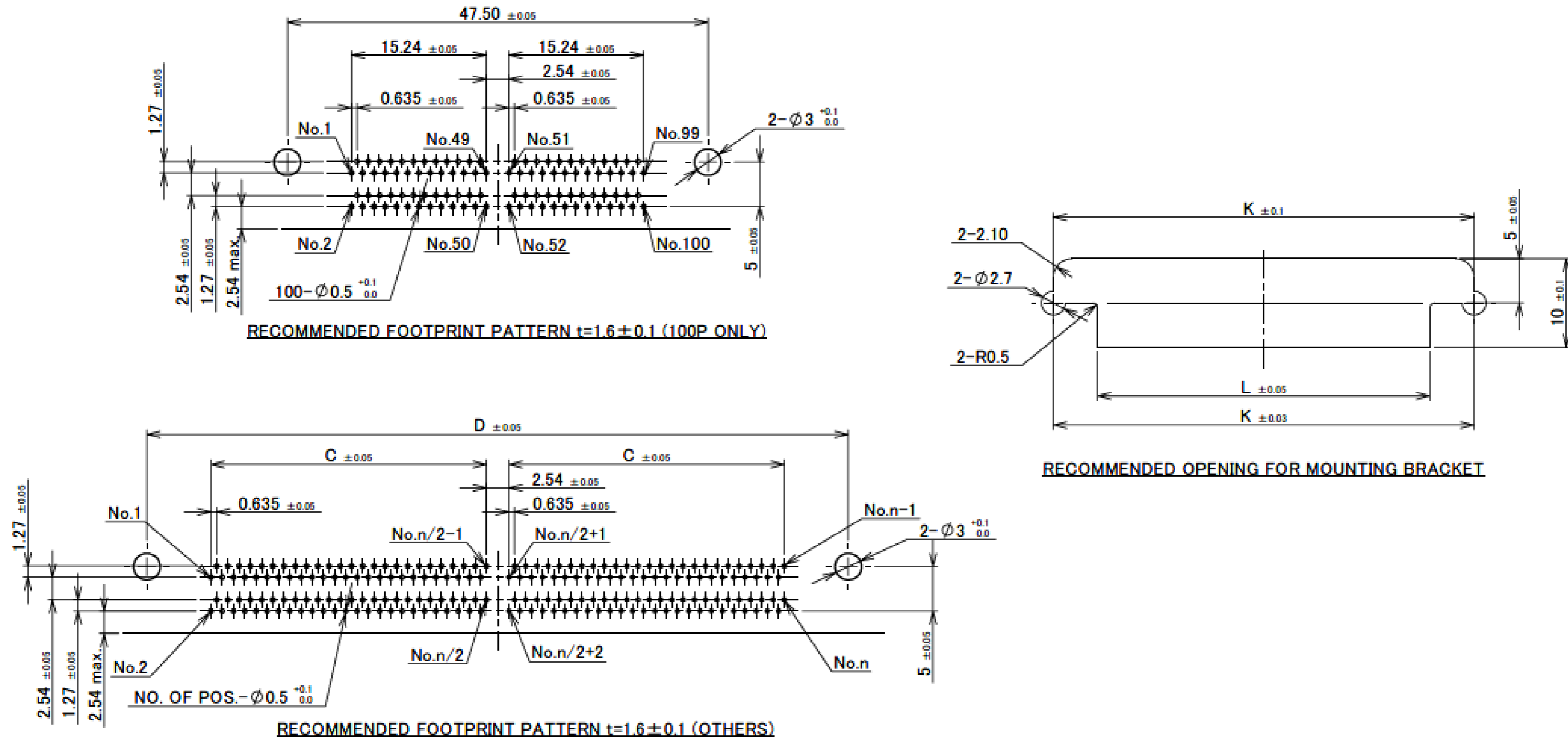
Component Parts Details

Plug Assembly



Plug Assembly

PART No.	POS	A	B	C	D	G	H	P	J	K	L	SCREW	NOTE
30001-100T-F	100P	51.65	42.25	15.24	47.50	37.35	38.85	2.5	2.1	47.52	37.55	WITHOUT SCREW	-
30001-240T-F	240P	96.10	86.70	37.465	91.95	81.80	83.30	3.1	2.5	91.95	82.00	WITH SCREW	GUIDE WALL TYPE
30001-100T-01F	100P	51.65	42.25	15.24	47.50	37.35	38.85	2.5	2.1	47.52	37.55	WITH SCREW	-
30001-240T-02F	240P	96.10	86.70	37.465	91.95	81.80	83.30	3.1	2.5	91.95	82.00	WITH SCREW	GUIDE WALL TYPE



Rev.35

ITEMS	SPECIFICATION
RATING VOLTAGE	250V AC (PER CONTACT PIN)
RATING AMPERAGE (FOR CONTACT)	0.5A AC/DC (PER CONTACT PIN)
OPERATING TEMPERATURE	208~358K(-65°C~+85°C)
OPERATING HUMIDITY	85% MAX.(NON-CONDENSING)
CONTACT RESISTANCE (FOR CONTACT)	INITIAL : 70mohm MAX. / AFTER TEST : \leq 25mohm MAX.
INSULATION RESISTANCE	INITIAL : 10,000Mohm MIN. / AFTER TEST : 1,000Mohm MIN.
DIELECTRIC WITHSTANDING VOLTAGE	AC500V 1min
DURABILITY	5,000 CYCLES
MATING FORCE (INITIAL)	0.9N/pos. MAX.
UNMATING FORCE (AFTER TEST)	0.059N/pos. MIN.
COPLANARITY	-
PRODUCT SPECIFICATION	PRS-1011
TEST REPORT	TR-9020
PACKING STANDARD	300-014
INSTRUCTION MANUAL	-
APPEARANCE CRITERIA No.	QLS-A***

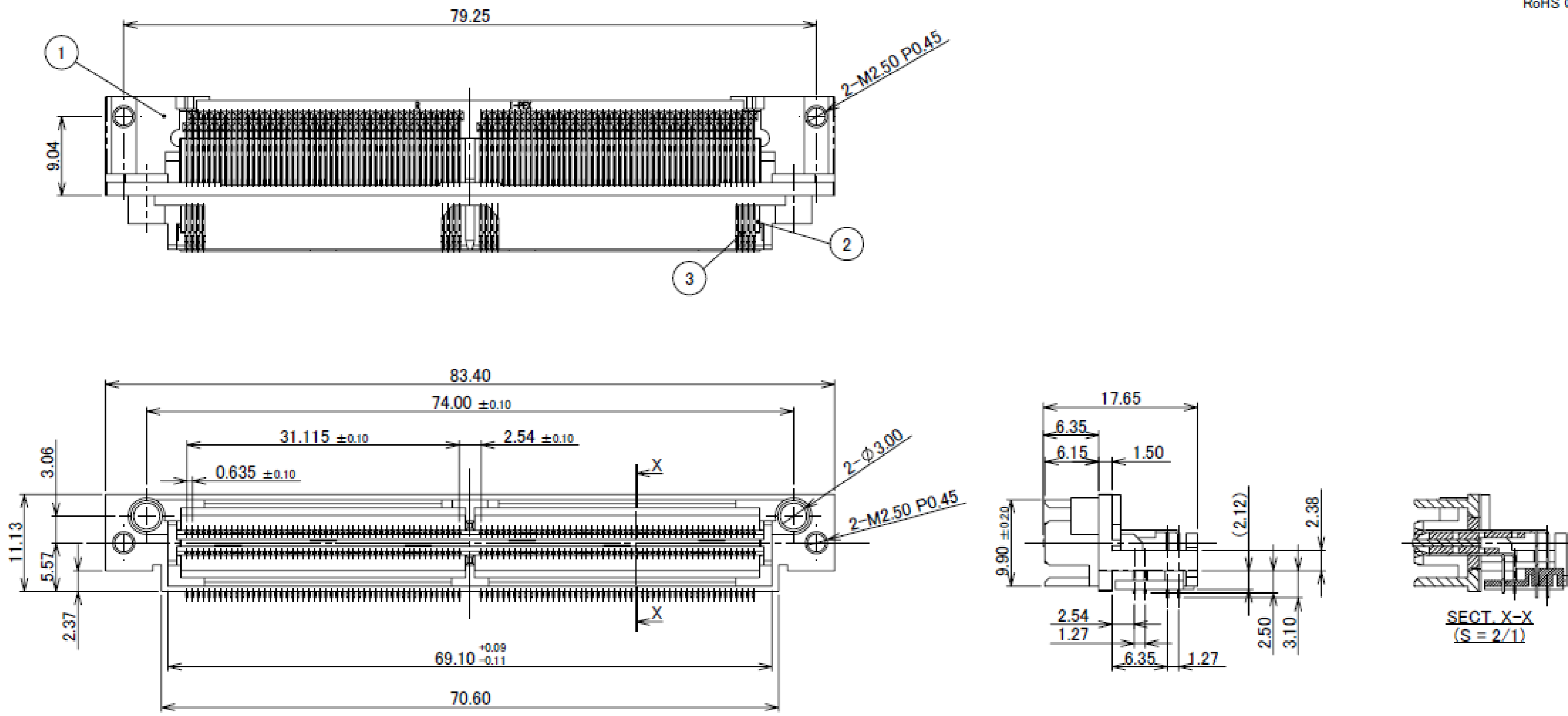
Rev.35

Plug Assembly

Recommended P/N		30094-200T-01F
PART No.	SCREW	
30094-200T-F	WITH SCREW	
30094-200T-01F	WITHOUT SCREW	



RoHS Compliant

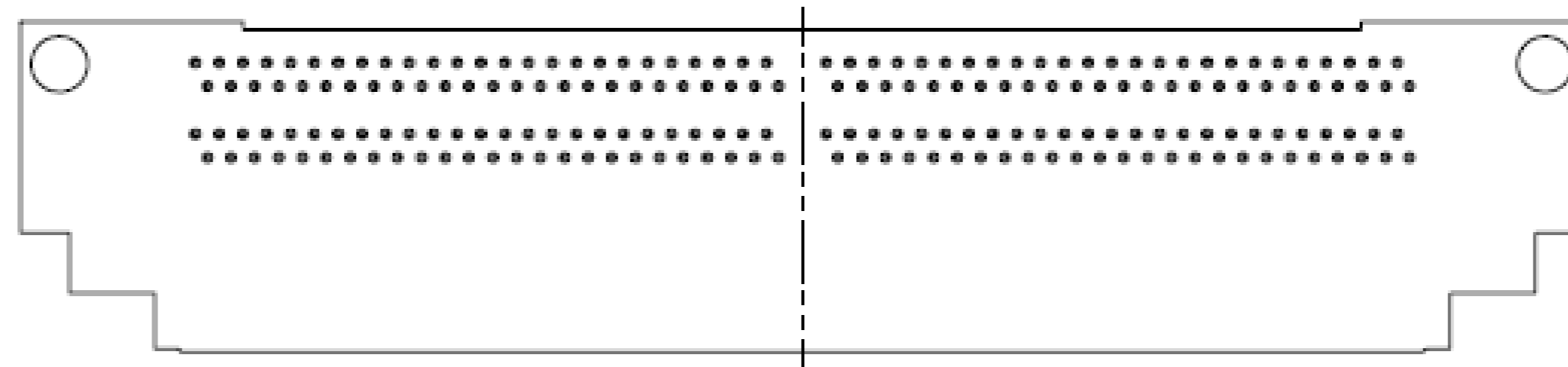
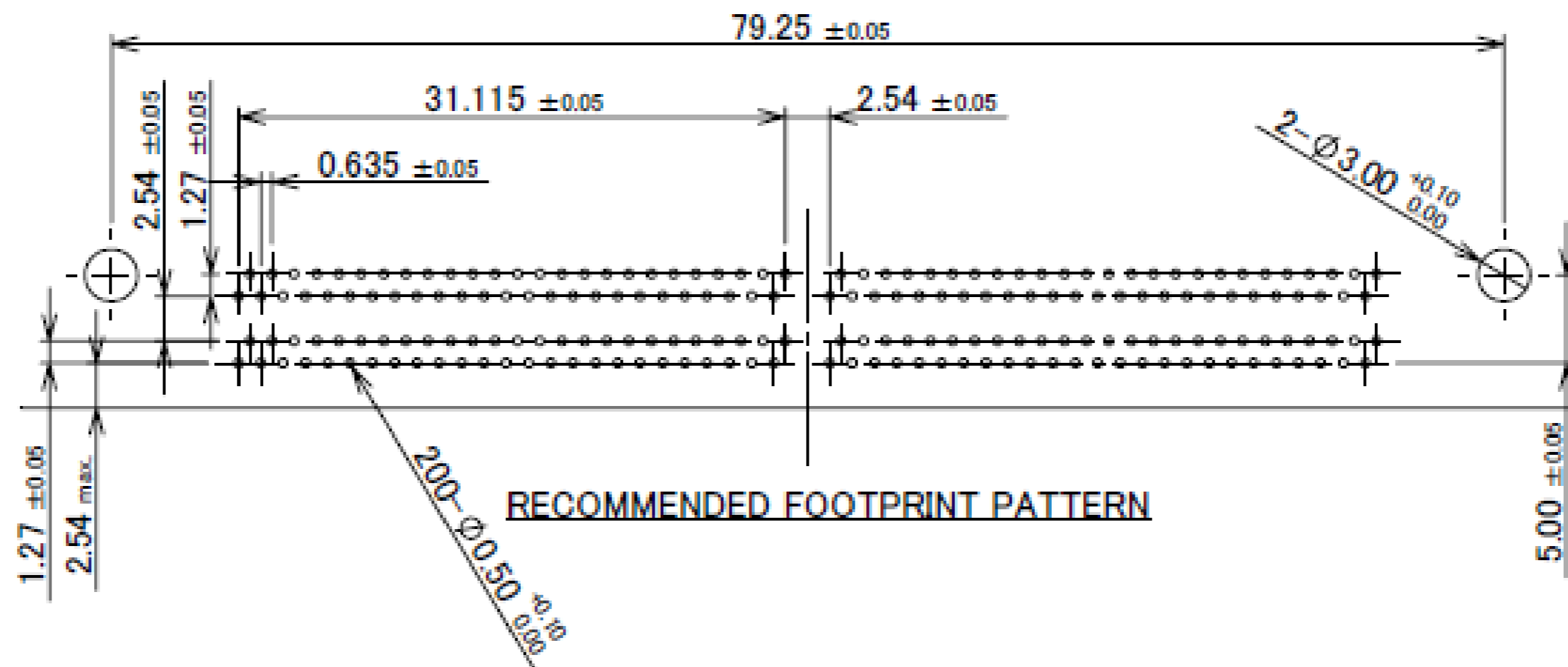


3	CONTACT	COPPER ALLOY	CONTACT AREA : Au FLASH SOLDER AREA : Au FLASH
2	INSULATOR	HEAT RESISTING PLASTICS	BLACK, UL94V-0
1	SHELL	Zn ALLOY	-
NO.	DISCRIPTION	MATERIAL	FINISH , REMARKS

NOTES

1. CONNECTOR TO BE MATED: 30007-200T-03*

Rev.6



CONNECTOR ON RECOMMENDED FOOTPRINT PATTERN

Plug Assembly

ITEMS	SPECIFICATION
RATING VOLTAGE	250V AC (PER CONTACT PIN)
RATING AMPERAGE (FOR CONTACT)	0.5A AC/DC (PER CONTACT PIN)
OPERATING TEMPERATURE	208~358K(-65°C~+85°C)
OPERATING HUMIDITY	85% MAX.(NON-CONDENSING)
CONTACT RESISTANCE (FOR CONTACT)	INITIAL : 70mohm MAX. / AFTER TEST : \leq 25mohm MAX.
INSULATION RESISTANCE	INITIAL : 10,000Mohm MIN. / AFTER TEST : 1,000Mohm MIN.
DIELECTRIC WITHSTANDING VOLTAGE	AC500V 1min
DURABILITY	5,000 CYCLES
MATING FORCE (INITIAL)	0.9N/pos. MAX.
UNMATING FORCE (AFTER TEST)	0.059N/pos. MIN.
COPLANARITY	-
PRODUCT SPECIFICATION	PRS-1011
TEST REPORT	TR-9020
PACKING STANDARD	300-251
INSTRUCTION MANUAL	-
APPEARANCE CRITERIA No.	QLS-A***

Rev.6

Receptacle Assembly

Recommended P/N	30002-***0T-F	30002-***0T-01F
------------------------	---------------	-----------------

PART No.
30002-***T-***F

5 LOCATOR PLATE
4 GUIDE PIN
3 RECEPTACLE INSULATOR
2 RECEPTACLE CONTACT
1 RECEPTACLE SHELL

2-M2.5 P0.45
(SEE P/N90023-001)

2-M2.5 P0.45
(SEE P/N90023-001)

SCREW 90023-001
(S= 5/1)

No.	DISCRIPTION	MATERIAL	FINISH , REMARKS
5	LOCATOR PLATE	PA	BLACK UL94V-0
4	GUIDE PIN	STEEL	Ni PLATING
3	RECEPTACLE INSULATOR	PPS	BLACK UL94V-0
2	RECEPTACLE CONTACT	COPPER ALLOY	ALL OVER Ni 1.27 μ m MIN. CONTACT PART Au 0.05 μ m MIN.
1	RECEPTACLE SHELL	Zn ALLOY	Ni PLATING
No.	DISCRIPTION	MATERIAL	FINISH , REMARKS

30002-***0T-***F NONE: WITHOUT SCREW
01: WITH SCREW
EXAMPLE
POS.10 : 100P
24 : 240P

P/N 30002-240T-F-01F

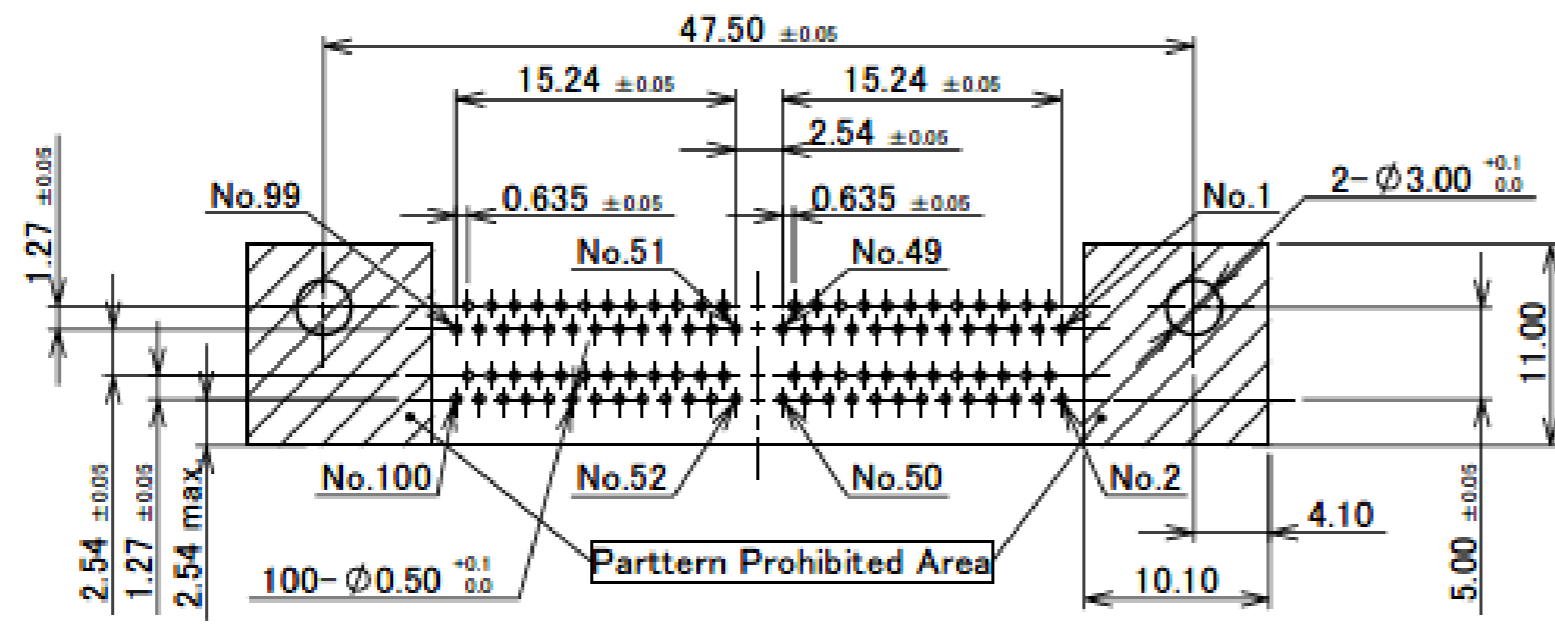


NOTE
1. CONNECTOR TO BE MATED: 30001, 30005

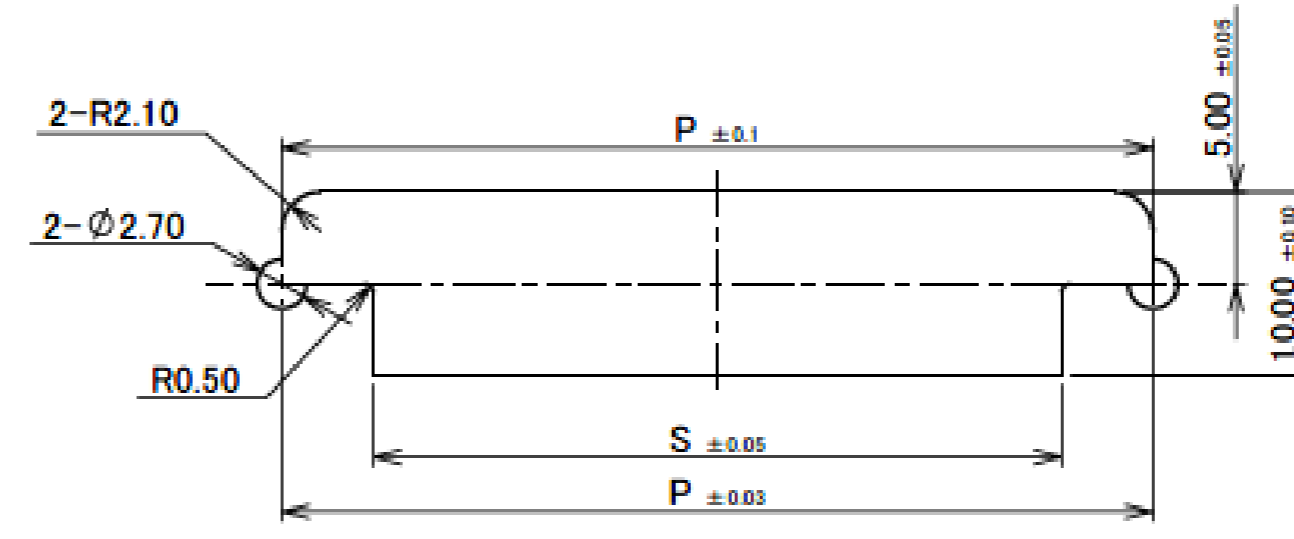
Rev.31

Receptacle Assembly

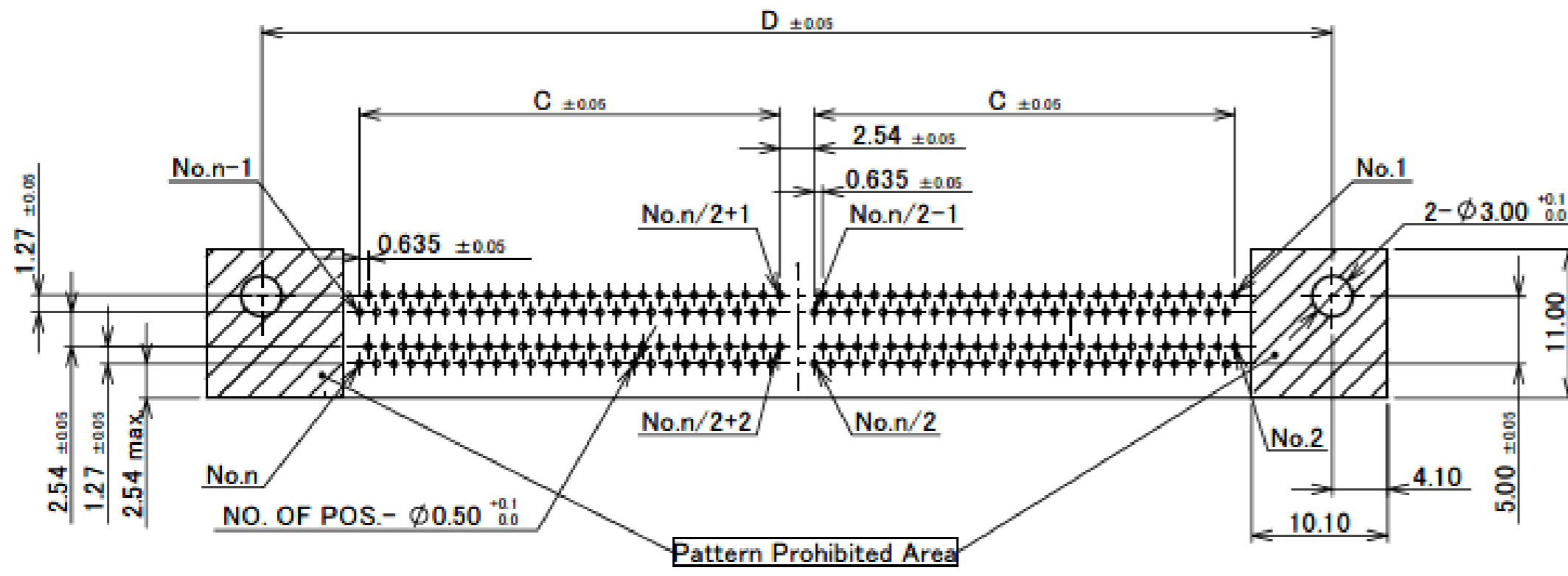
	POS.	A	B	C	D	H	J	K	M	N	P	S	NOTE
30002-100T-F	100P	51.65	42.25	15.24	47.50	37.35	38.85		2.8	2.8	47.52	37.55	WITHOUT SCREW
30002-240T-F	240P	96.10	86.70	37.465	91.95	81.80	83.30	2.50	2.5	3.1	91.95	82.00	
30002-100T-01F	100P	51.65	42.25	15.24	47.50	37.35	38.85		2.8	2.8	47.52	37.55	WITH SCREW
30002-240T-01F	240P	96.10	86.70	37.465	91.95	81.80	83.30	5.30	2.5	3.1	91.95	82.00	



RECOMMENDED FOOTPRINT PATTERN $t=1.6 \pm 0.1$ (100P ONLY)



RECOMMENDED OPENING FOR MOUNTING BRACKET



RECOMMENDED FOOTPRINT PATTERN $t=1.6 \pm 0.1$ (OTHERS)

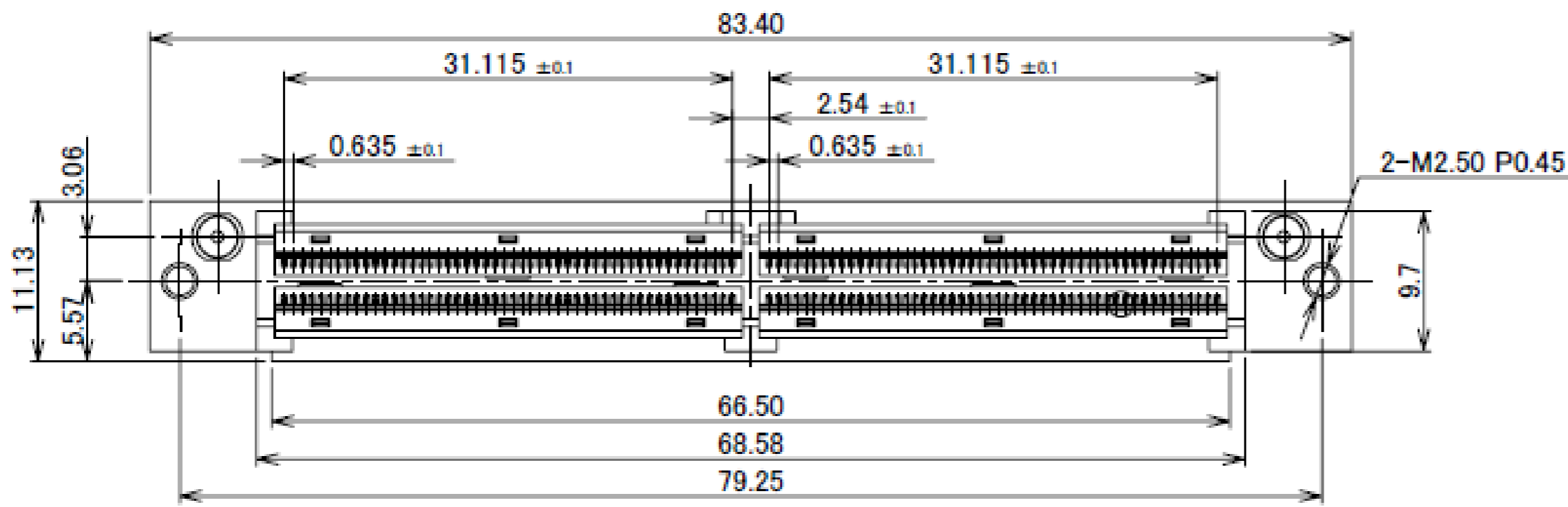
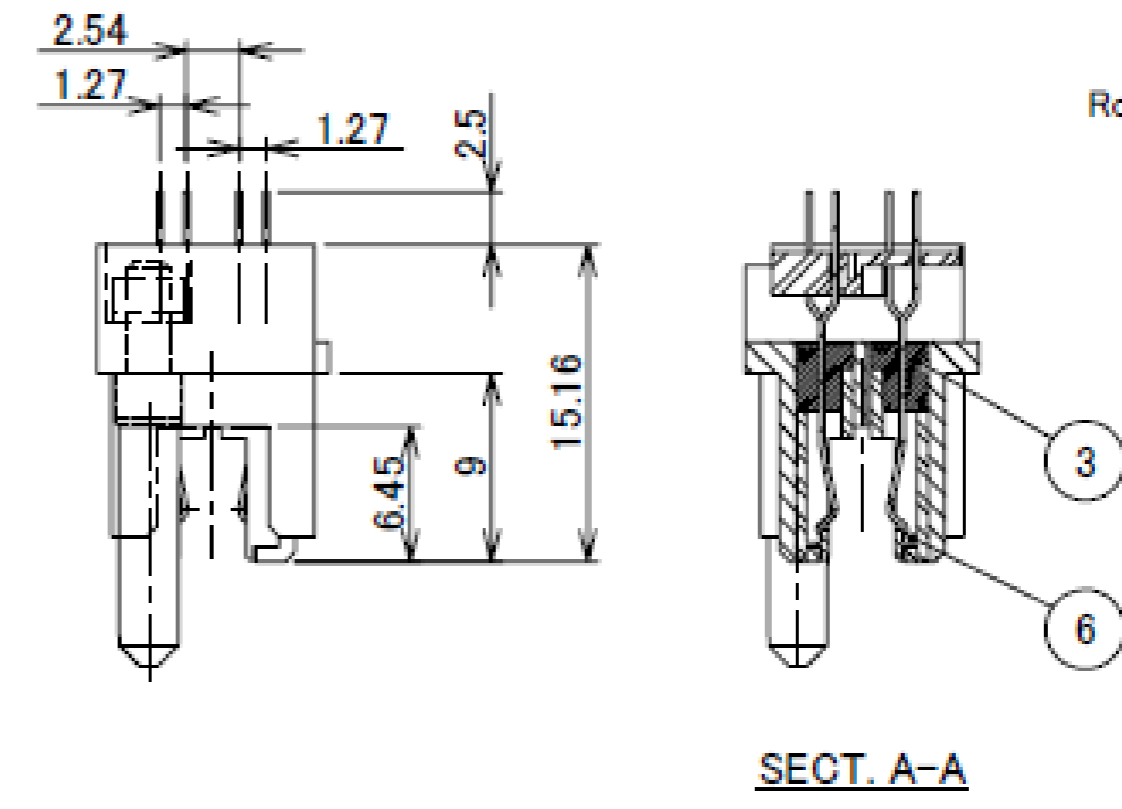
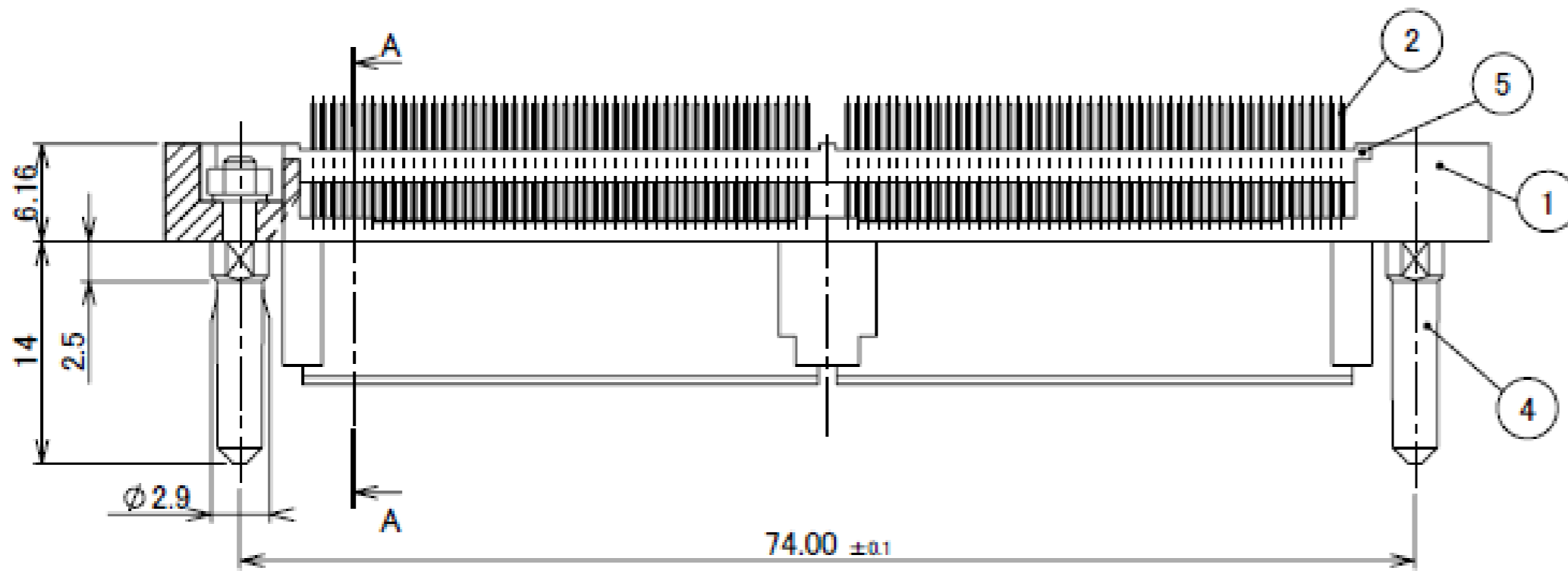
Rev.31

ITEMS	SPECIFICATION
RATING VOLTAGE	250V AC (PER CONTACT PIN)
RATING AMPERAGE (FOR CONTACT)	0.5A AC/DC (PER CONTACT PIN)
OPERATING TEMPERATURE	208~358K(-65°C~+85°C)
OPERATING HUMIDITY	85% MAX.(NON-CONDENSING)
CONTACT RESISTANCE (FOR CONTACT)	INITIAL : 70mohm MAX. / AFTER TEST : $\leq 25\text{mohm}$ MAX.
INSULATION RESISTANCE	INITIAL : 10,000Mohm MIN. / AFTER TEST : 1,000Mohm MIN.
DIELECTRIC WITHSTANDING VOLTAGE	AC500V 1min
DURABILITY	5,000 CYCLES
MATING FORCE (INITIAL)	0.9N/pos. MAX.
UNMATING FORCE (AFTER TEST)	0.059N/pos. MIN.
COPLANARITY	-
PRODUCT SPECIFICATION	PRS-1011
TEST REPORT	TR-9020
PACKING STANDARD	300-015
INSTRUCTION MANUAL	-
APPEARANCE CRITERIA No.	QLS-A***

Rev.31

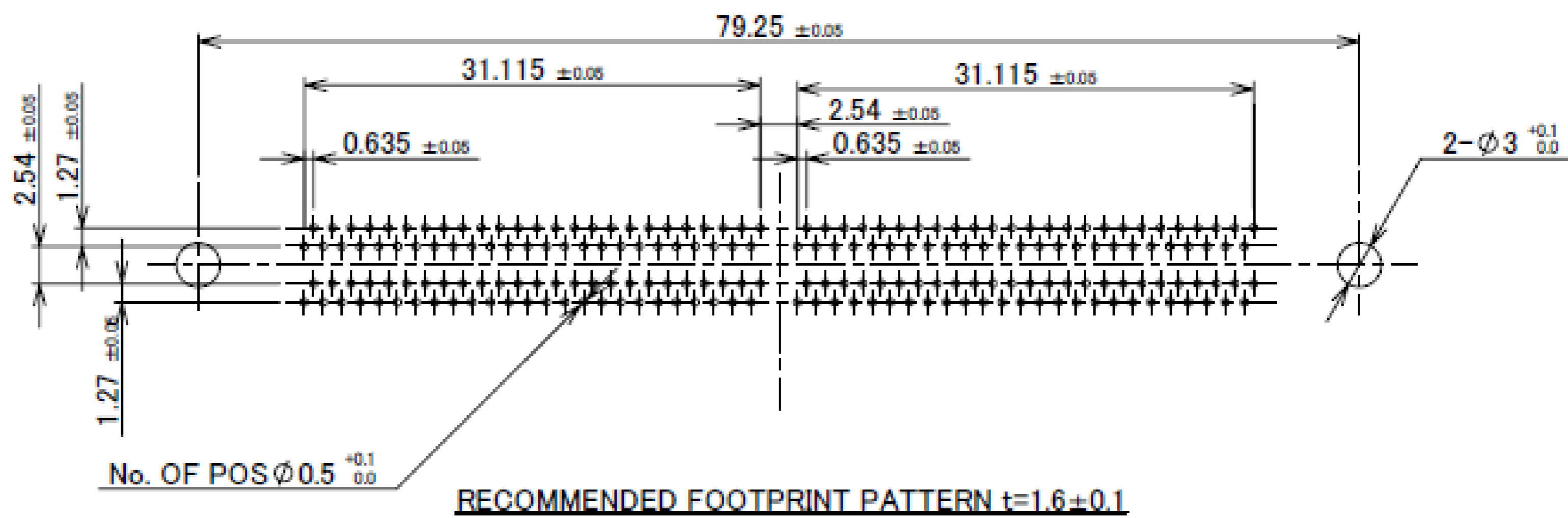
Receptacle Assembly

Recommended P/N	30007-200T-03F
PART NO.	30007-200T-03F



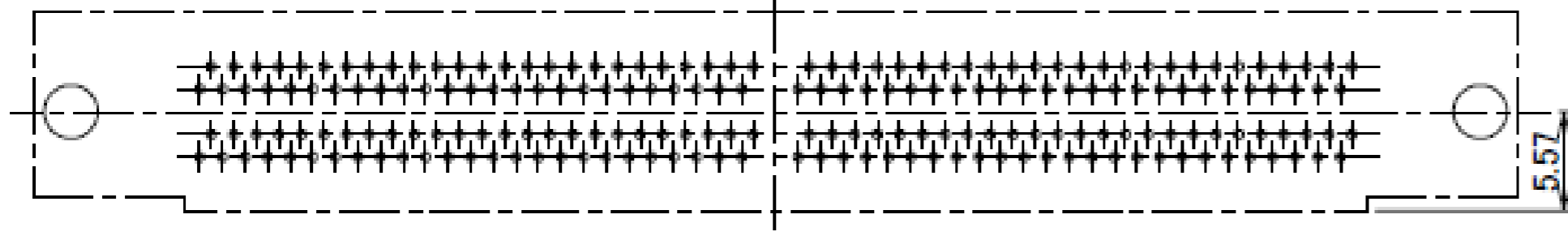
NO.	DISCRIPTION	MATERIAL	FINISH , REMARKS
6	CONTACT GUIDE	PPS	BLACK UL94V-0
5	LOCATOR PLATE	PA	BLACK UL94V-0
4	GUIDE PIN	STEEL	Ni PLATING
3	RECE INSULATOR	PPS	BLACK UL94V-0
2	RECE CONTACT	COPPER ALLOY	CONTACT PART Au FLASH OVER Pd-Ni SOLDER TAIL Au FLASH
1	RECE SHELL	Zn ALLOY	Ni OVER Cu PLATING

Rev.15

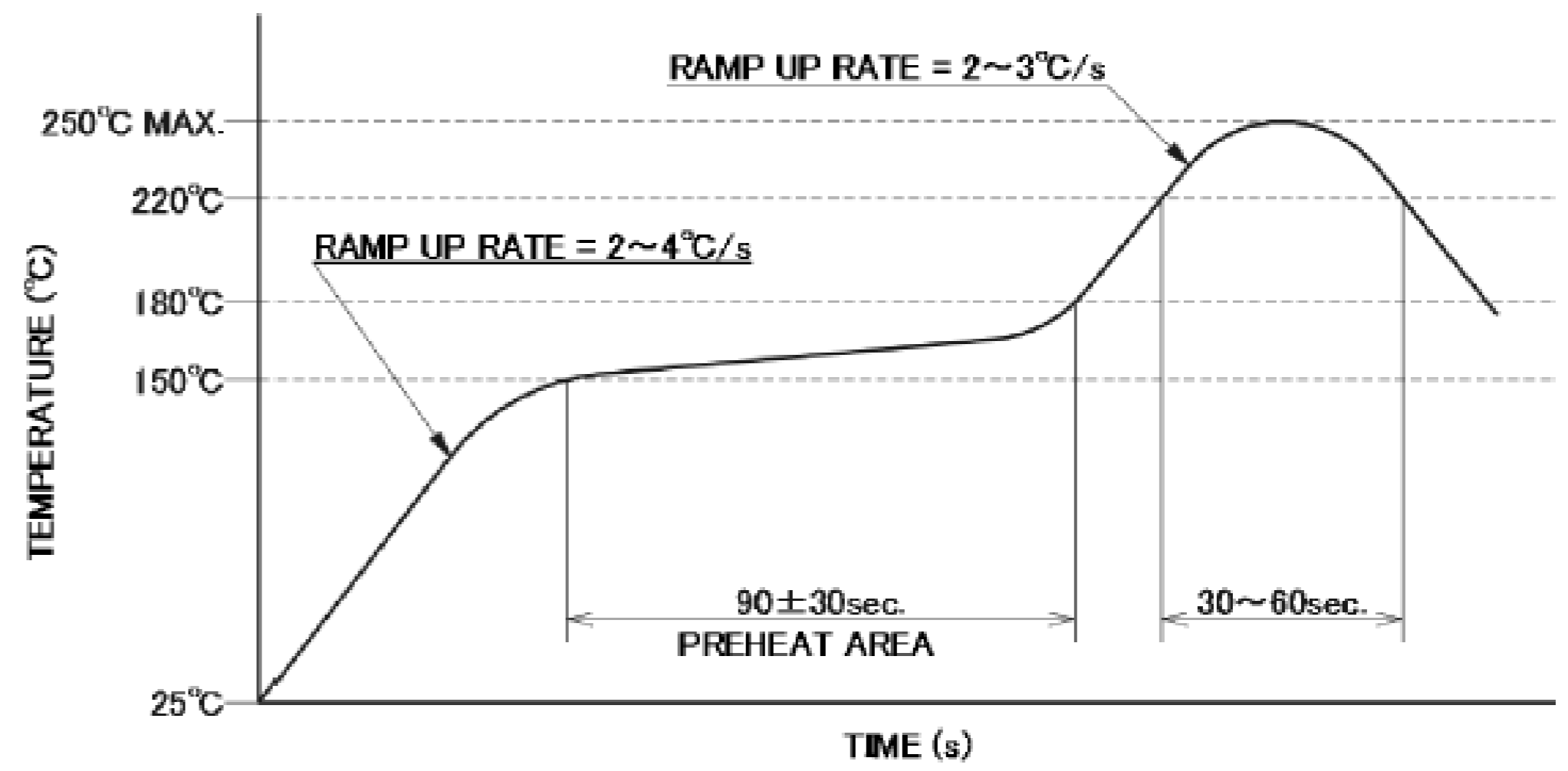


Rev.15

Receptacle Assembly



CONNECTOR ON RECOMMENDED FOOTPRINT PATTERN



REFLOW TEMPERATURE PROFILE
SENJU METAL INDUSTRY CO., LTD. : M705-SHE(Sn96.5 Ag3.0 Cu0.5)

Rev.15

ITEMS	SPECIFICATION
RATING VOLTAGE	250V AC (PER CONTACT PIN)
RATING AMPERAGE (FOR CONTACT)	0.5A AC/DC (PER CONTACT PIN)
OPERATING TEMPERATURE	208~358K(-65°C~+85°C)
OPERATING HUMIDITY	85% MAX.(NON-CONDENSING)
CONTACT RESISTANCE (FOR CONTACT)	INITIAL : 70mohm MAX. / AFTER TEST : $\leq 125\text{mohm}$ MAX.
INSULATION RESISTANCE	INITIAL : 10,000Mohm MIN. / AFTER TEST : 1,000Mohm MIN.
DIELECTRIC WITHSTANDING VOLTAGE	AC500V 1min
DURABILITY	5,000 CYCLES
MATING FORCE (INITIAL)	0.9N/pos. MAX.
UNMATING FORCE (AFTER TEST)	0.059N/pos. MIN.
COPLANARITY	-
PRODUCT SPECIFICATION	PRS-1011
TEST REPORT	TR-9020
PACKING STANDARD	300-030
INSTRUCTION MANUAL	-
APPEARANCE CRITERIA No.	QLS-A***

Rev.15

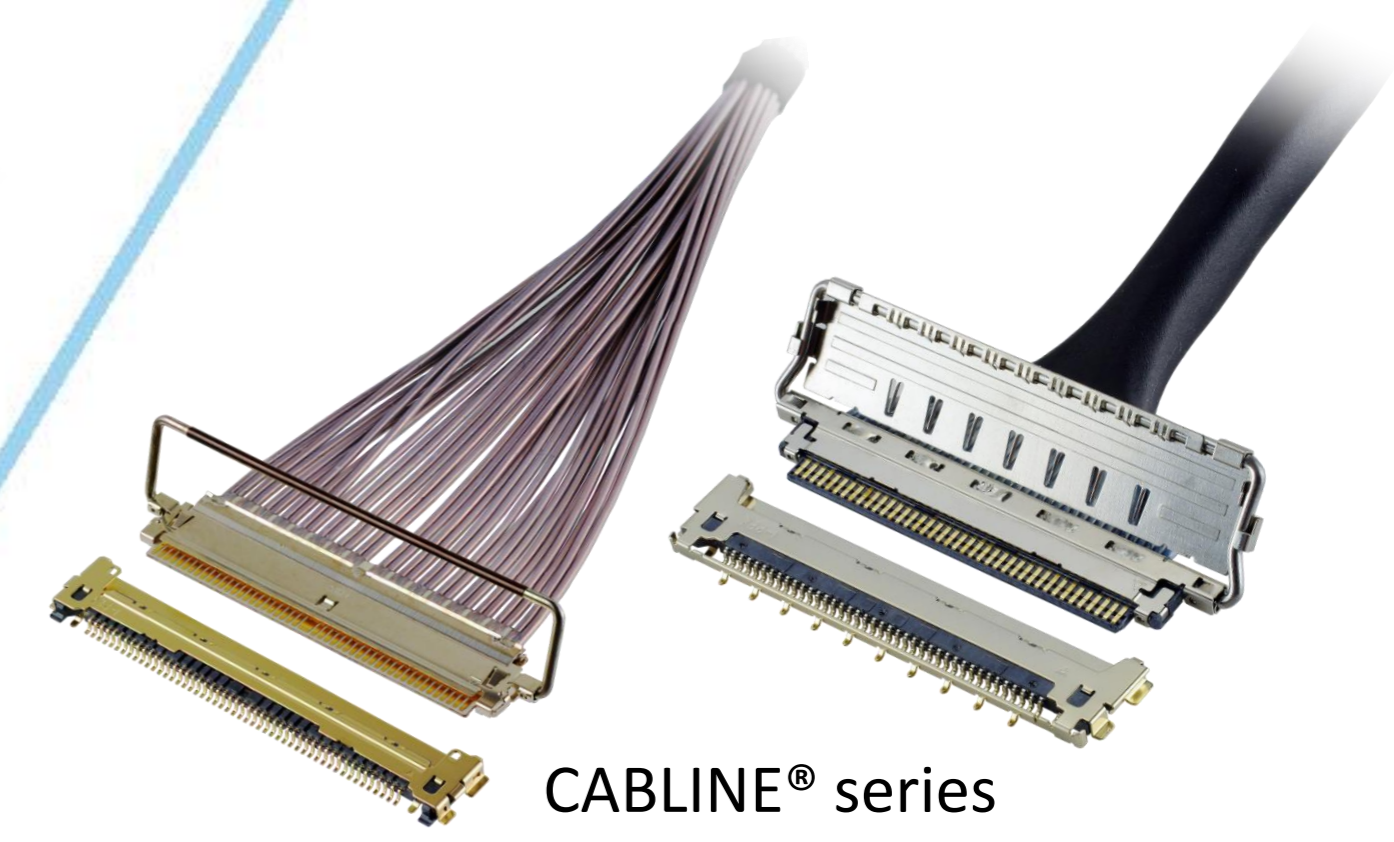
Custom Products Available

RF Connector

MHF® series



Micro-coaxial/Twinax/ Discrete Wire Connector



CABLINE® series

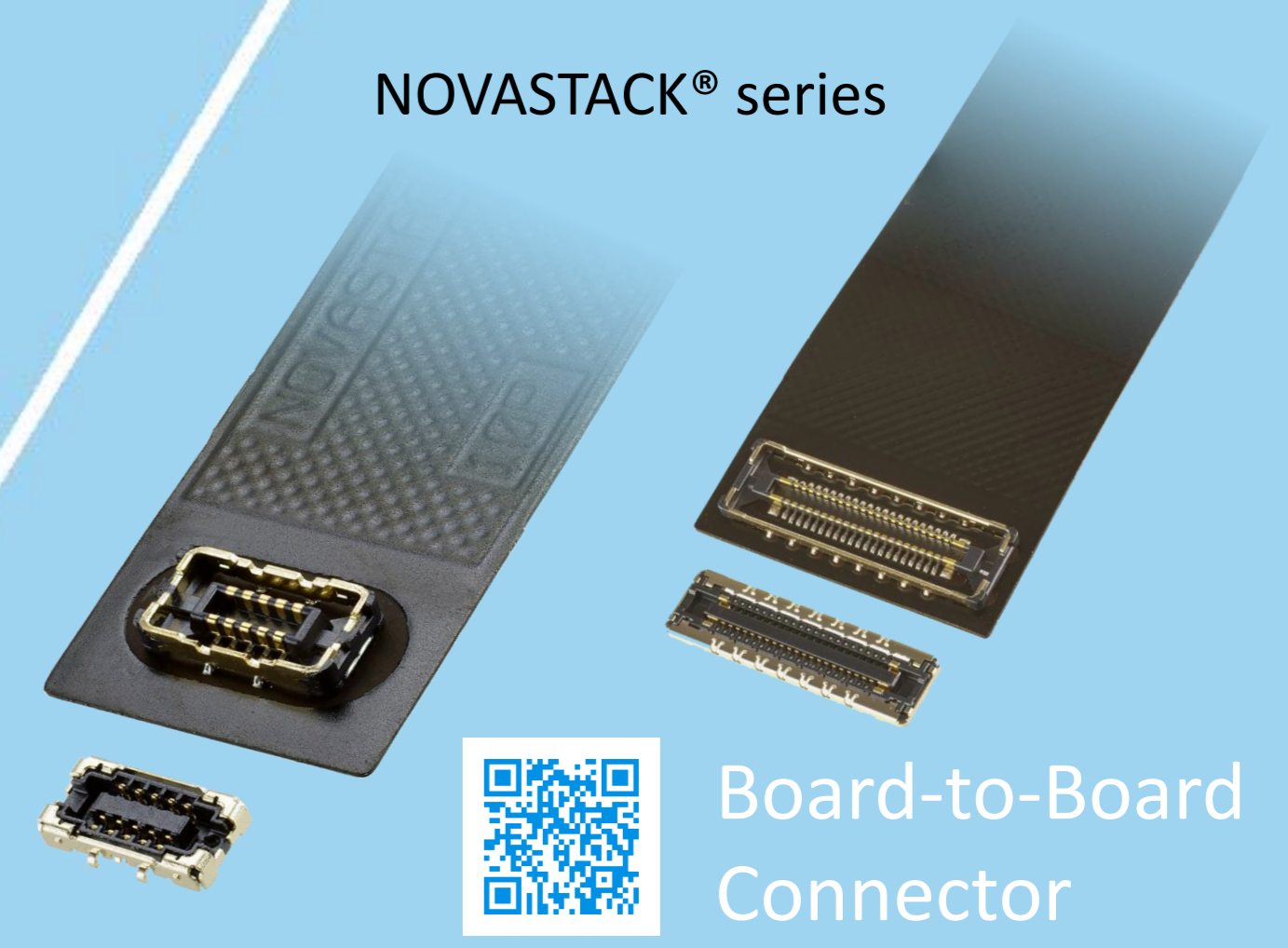


Optical Module

LIGHTPASS® series



NOVASTACK® series



Board-to-Board Connector



Power Connector/ Terminal

AP series

ISH® series



MINIFLEX® series

EVAFLEX® series



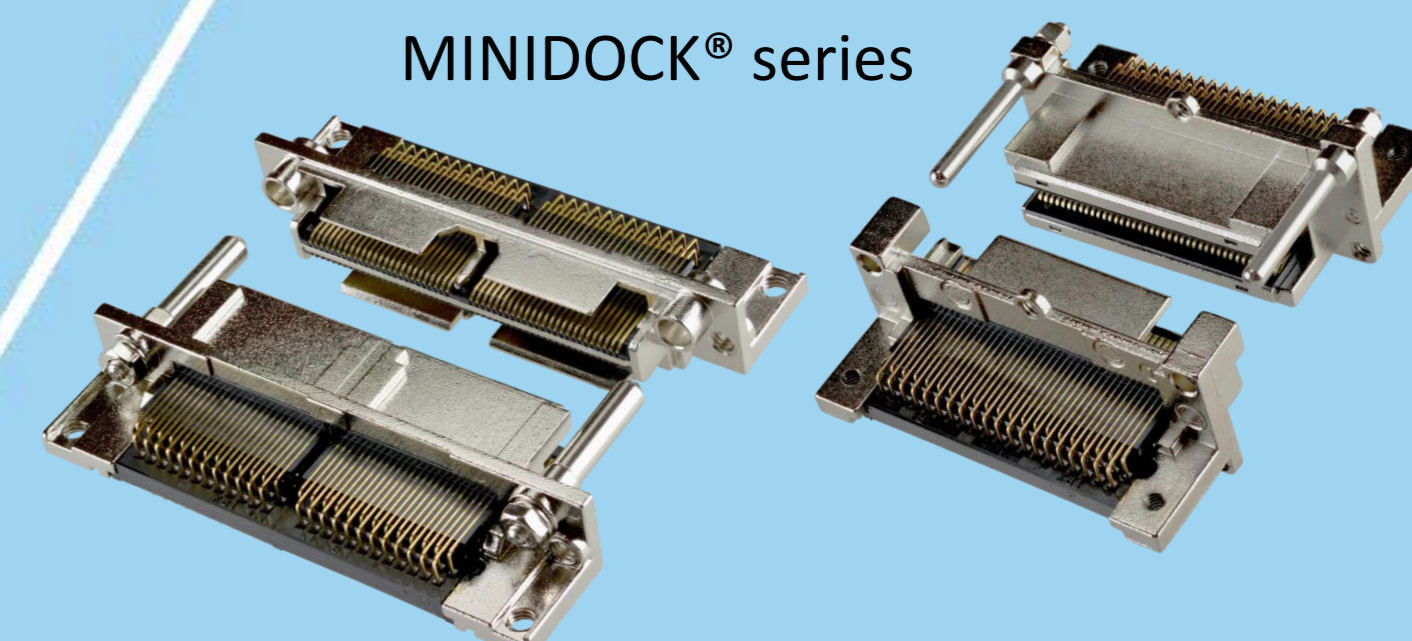
FPC FFC Connector



Inquiry



MINIDOCK® series



I/O Connector

I-PEX, MHF, CABLINE, LIGHTPASS, NOVASTACK, ISH, IARPB, MINIFLEX, EVAFLEX, MINIDOCKS and ZenShield are registered trademarks of I-PEX Inc. Please note that the contents in the catalog might be changed without prior notification. I-PEX Inc. assumes no responsibility for any inaccuracies or obligation to update information on these documents. Please be sure to read and understand the latest "Precautions for Use" and "Instruction Manual" before you use our products. We shall not be responsible for any defects, damages or troubles in case you use our products without following the precautions for use. Please feel free to contact our sales representatives when you use our products for any applications that require very high reliability and safety, or that relate to human life (ex. nuclear power control, aerospace, transportation, medical equipment, safety equipment etc.).

Contact your sales representative or more detailed information.

www.i-pex.com



I-PEX

© I-PEX Inc. 2024
All rights reserved