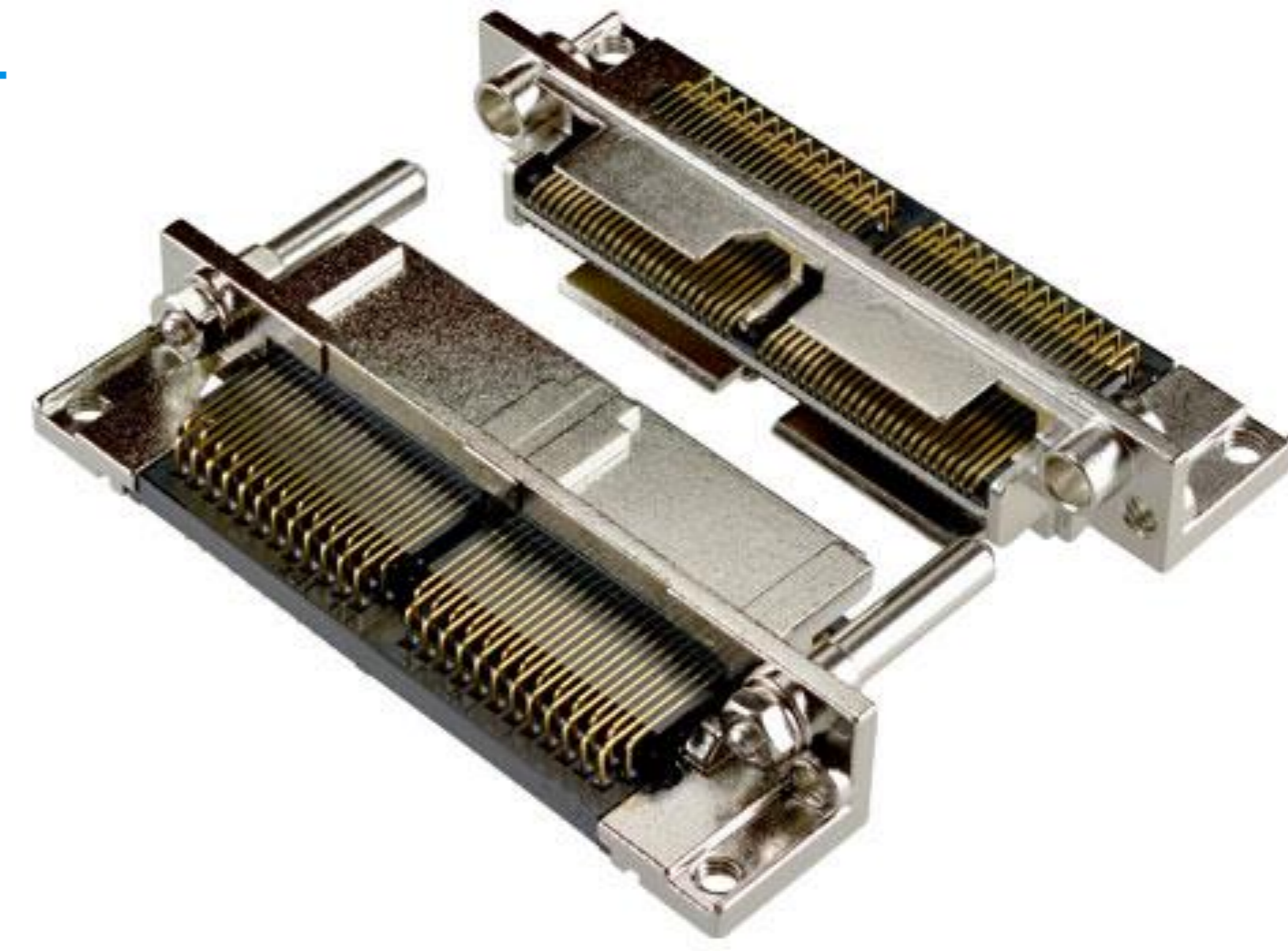


MINIDOCK™ STANDARD

견고한 다핀수의 도킹식 I/O 커넥터



Product Specifications:

Board Pitch (mm)		0.635
Size (mm)	Height	9.9 ~ 16.9 mm (Plug) 11.13 ~ 22.53 mm (Rece)
	Width	36.0 ~ 96.10 mm (Plug / Rece)
	Depth	9.9 ~ 17.8 mm (Plug) 11.13 ~ 22.53 mm (Rece)
Rating	Amperage	0.5 A AC/DC (Per Contact Pin)
	Voltage	250 V AC/DC (Per Contact Pin)

*기재가 되어있지 않은 핀 수의 대응 여부에 대해서는 문의해 부탁드립니다.

▶ 다양한 어플리케이션에 대응하는 견고한 커넥터(휴대용 기기나 의료 기기 등)

Standard Type Plug :

Part Number	Pin Count	Mating Type	Contact Type	Appearance
30001	100, 240	수평	All Long Pin Standard Type	
30094	200		All Long Pin Offset Type	

Standard Type Receptacle :

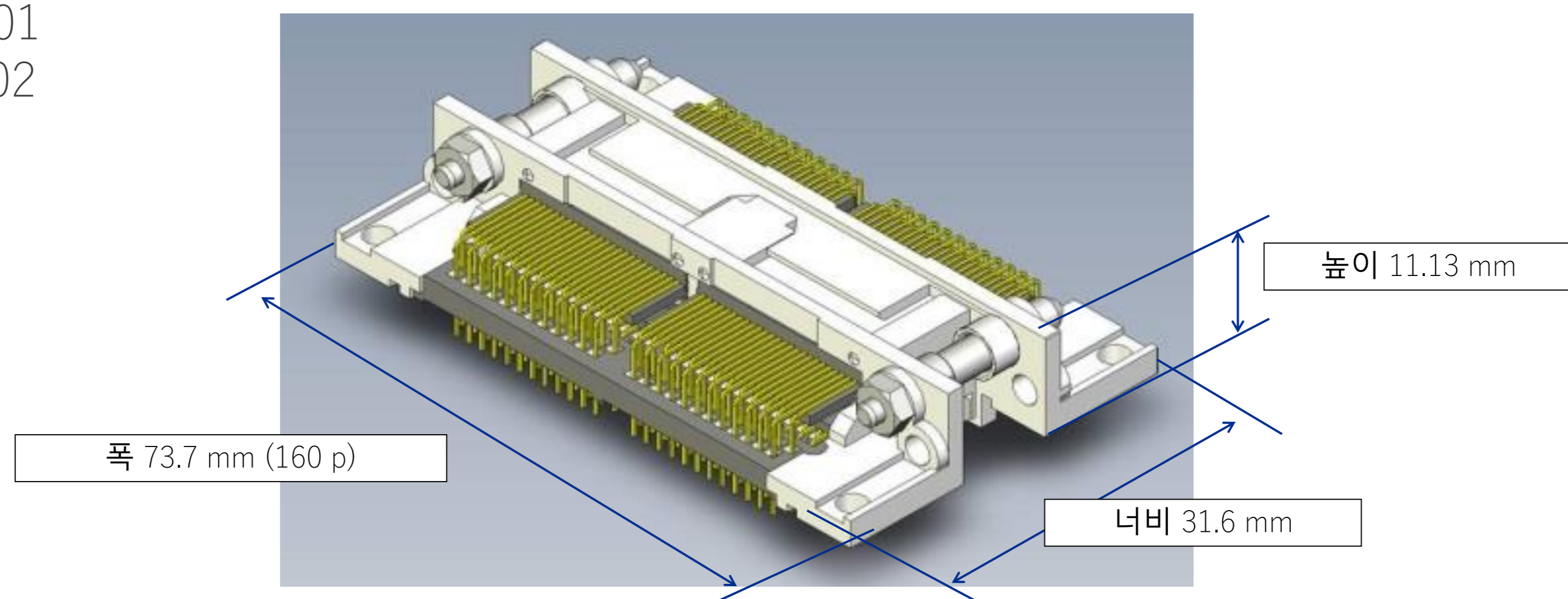
Part Number	Pin Count	Mating Type	Appearance
30002	100, 240	수평	
30007	200	수직	

▶ 삽발보증회수 : 5000 사이클

수평타입PLUG – 수평타입RECEPTACLE 결합

형번

- Plug 30001
- Receptacle 30002

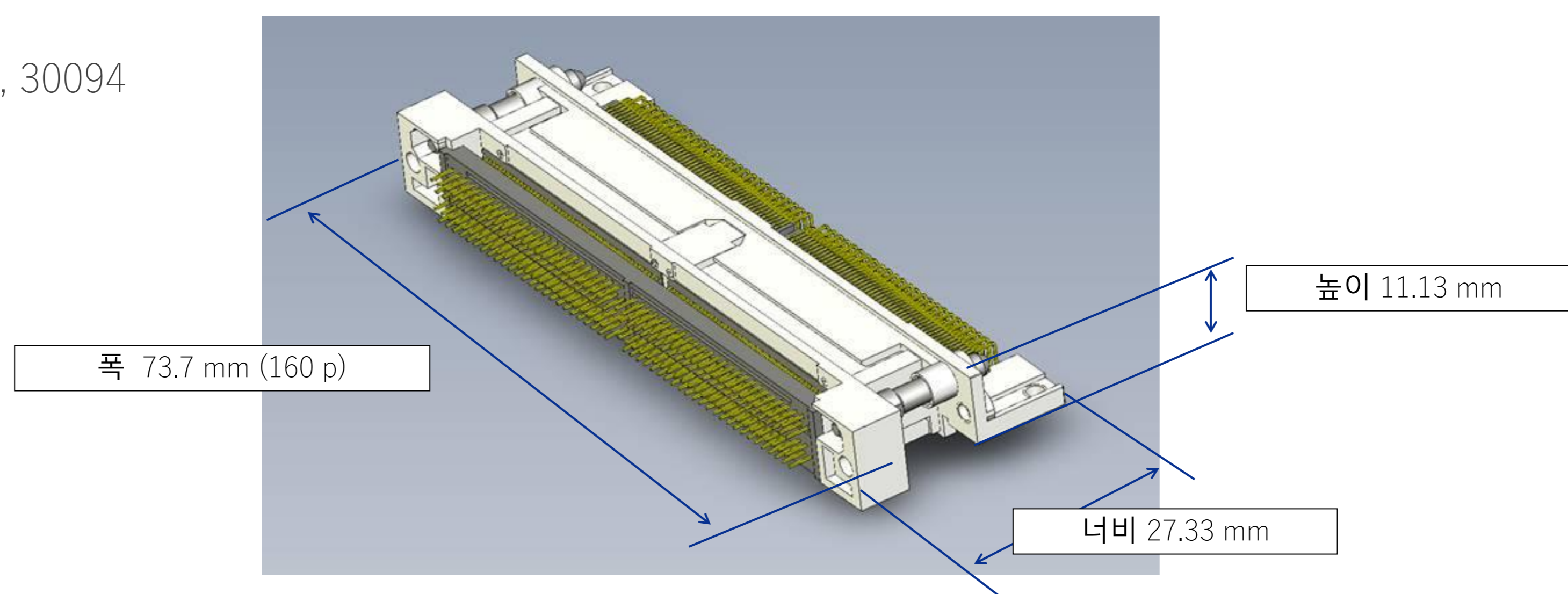


▶ 풍부한 결합 옵션과 보유 핀수

수평타입PLUG – 수직 RECEPTACLE 결합

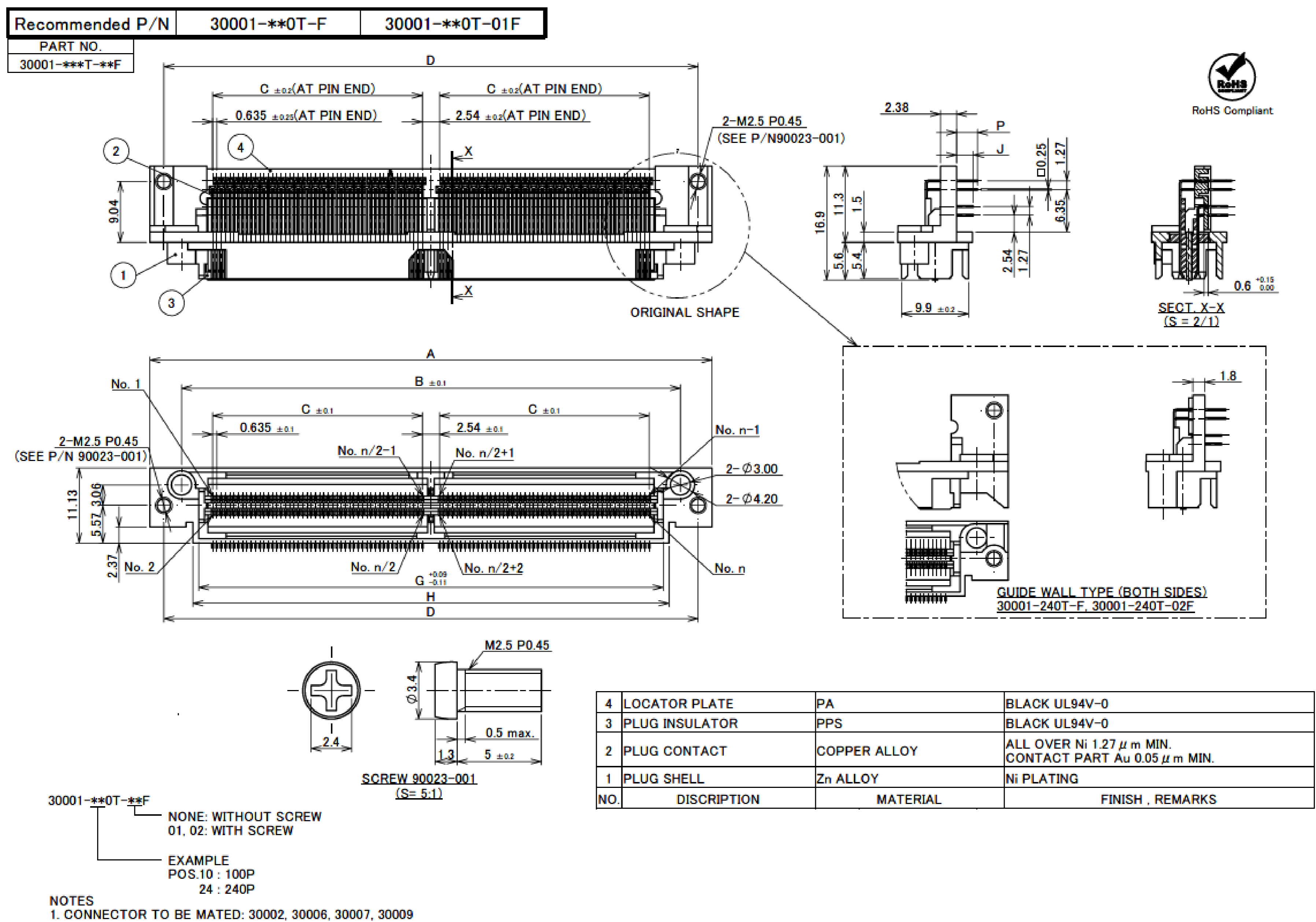
형번

- Plug 30001, 30094
- Receptacle 30007



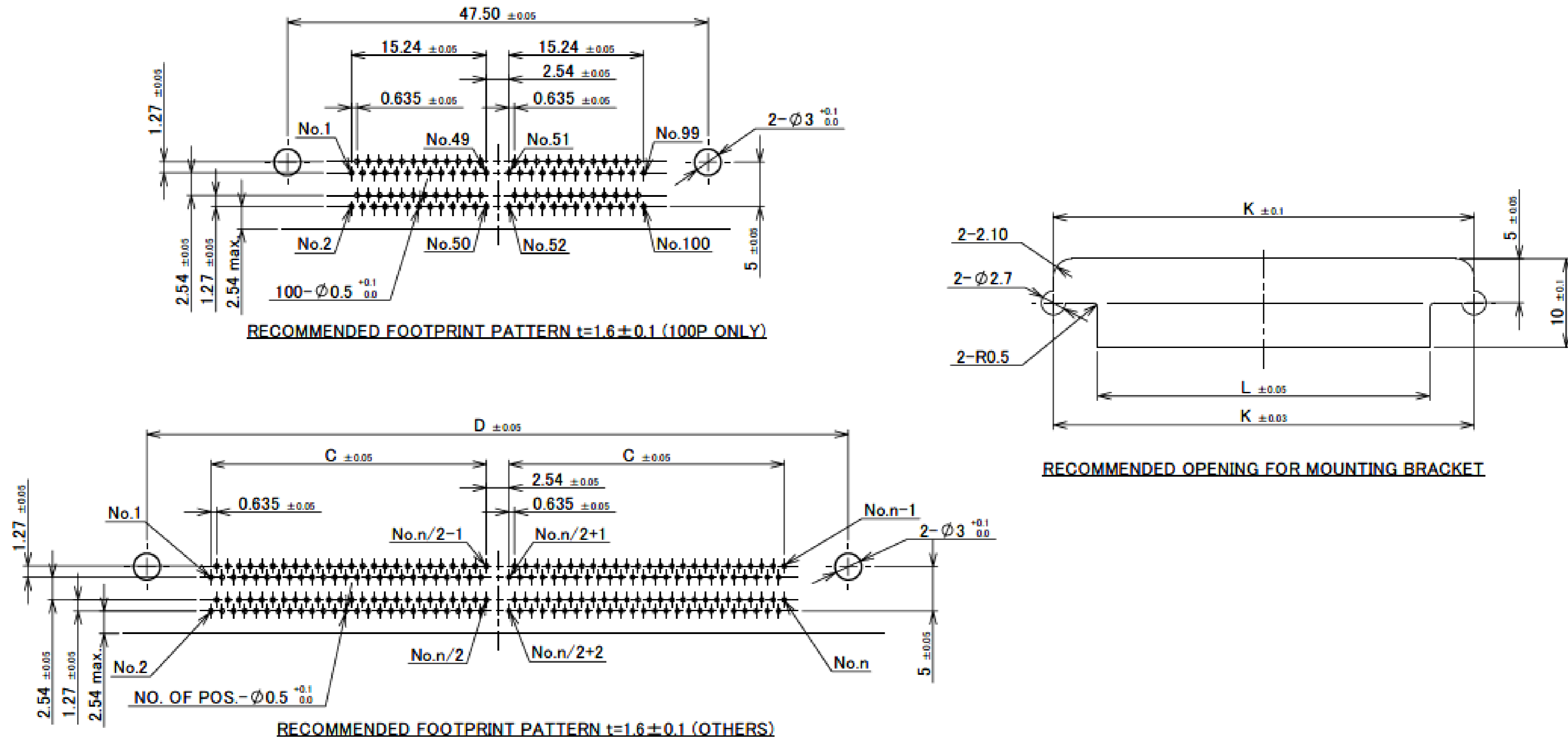
Component Parts Details

Plug Assembly



Plug Assembly

PART No.	POS	A	B	C	D	G	H	P	J	K	L	SCREW	NOTE
30001-100T-F	100P	51.65	42.25	15.24	47.50	37.35	38.85	2.5	2.1	47.52	37.55	WITHOUT SCREW	-
30001-240T-F	240P	96.10	86.70	37.465	91.95	81.80	83.30	3.1	2.5	91.95	82.00	WITH SCREW	GUIDE WALL TYPE
30001-100T-01F	100P	51.65	42.25	15.24	47.50	37.35	38.85	2.5	2.1	47.52	37.55	WITH SCREW	-
30001-240T-02F	240P	96.10	86.70	37.465	91.95	81.80	83.30	3.1	2.5	91.95	82.00	WITH SCREW	GUIDE WALL TYPE



Rev.35

ITEMS	SPECIFICATION
RATING VOLTAGE	250V AC (PER CONTACT PIN)
RATING AMPERAGE (FOR CONTACT)	0.5A AC/DC (PER CONTACT PIN)
OPERATING TEMPERATURE	208~358K(-65°C~+85°C)
OPERATING HUMIDITY	85% MAX.(NON-CONDENSING)
CONTACT RESISTANCE (FOR CONTACT)	INITIAL : 70mohm MAX. / AFTER TEST : \leq 25mohm MAX.
INSULATION RESISTANCE	INITIAL : 10,000Mohm MIN. / AFTER TEST : 1,000Mohm MIN.
DIELECTRIC WITHSTANDING VOLTAGE	AC500V 1min
DURABILITY	5,000 CYCLES
MATING FORCE (INITIAL)	0.9N/pos. MAX.
UNMATING FORCE (AFTER TEST)	0.059N/pos. MIN.
COPLANARITY	-
PRODUCT SPECIFICATION	PRS-1011
TEST REPORT	TR-9020
PACKING STANDARD	300-014
INSTRUCTION MANUAL	-
APPEARANCE CRITERIA No.	QLS-A***

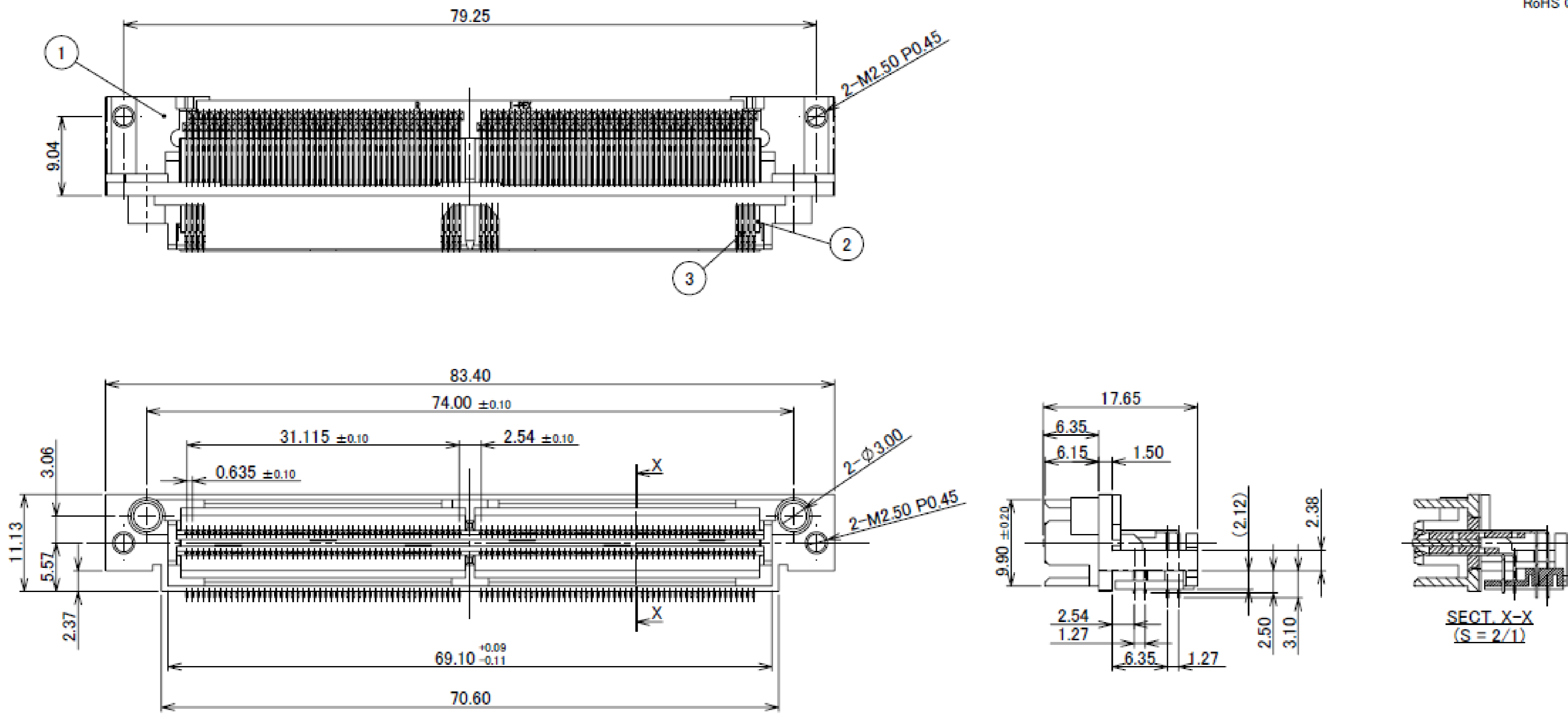
Rev.35

Plug Assembly

Recommended P/N		30094-200T-01F
PART No.	SCREW	
30094-200T-F	WITH SCREW	
30094-200T-01F	WITHOUT SCREW	



RoHS Compliant

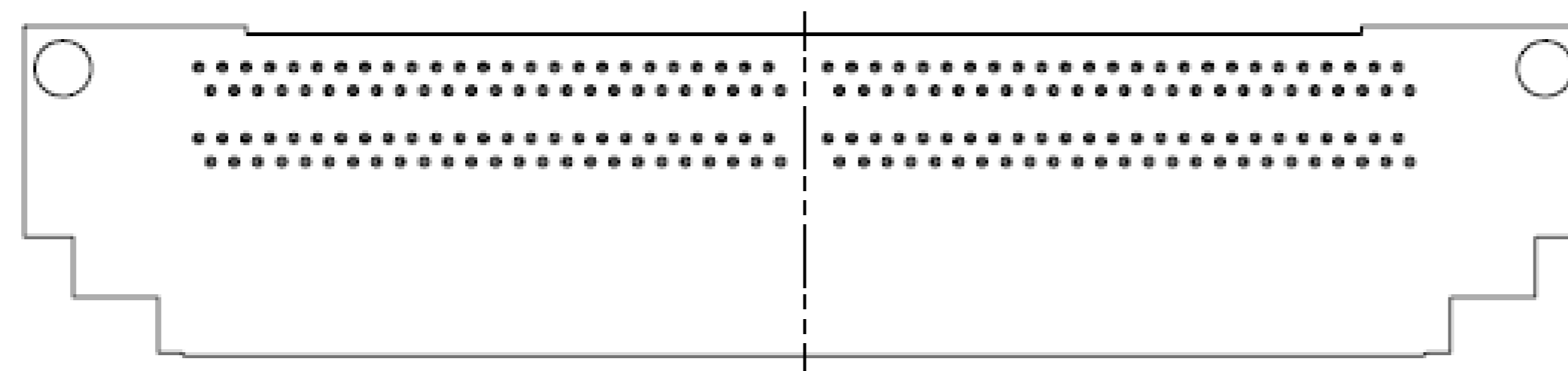
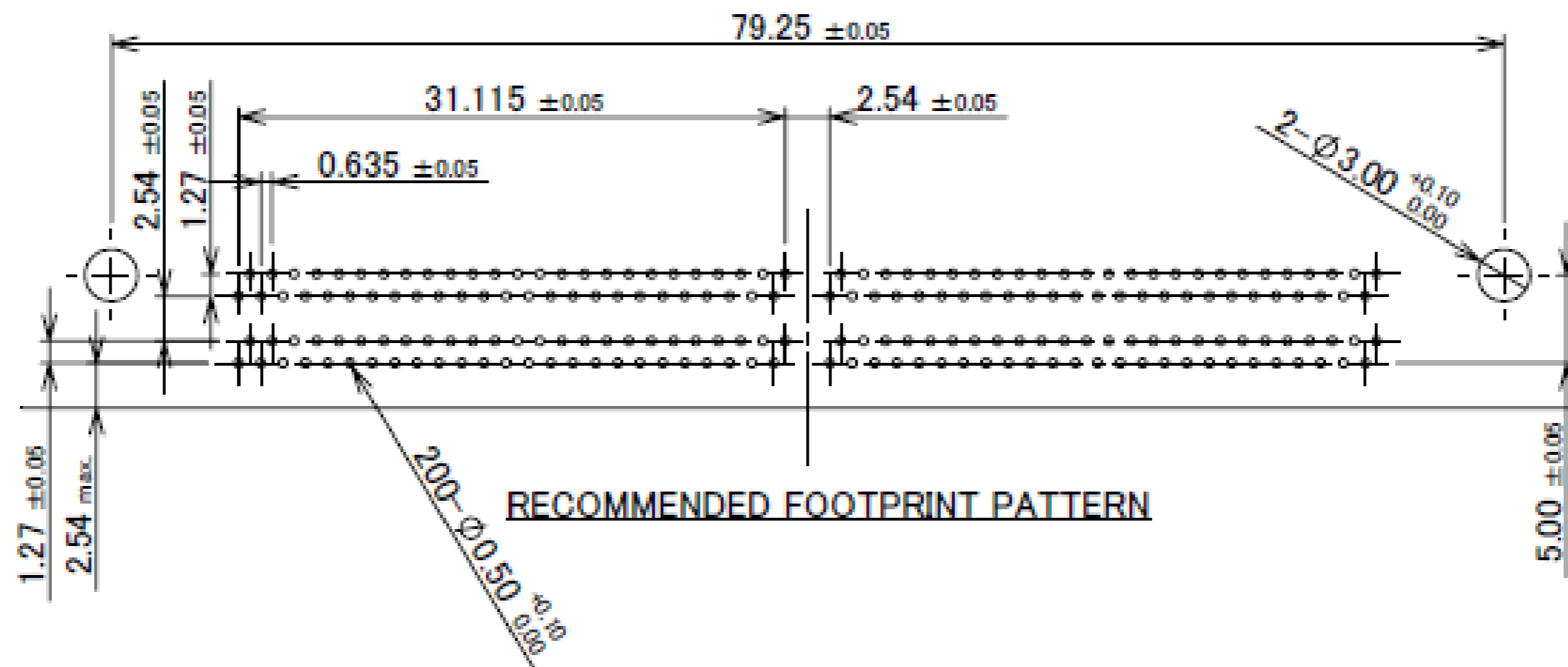


3	CONTACT	COPPER ALLOY	CONTACT AREA : Au FLASH SOLDER AREA : Au FLASH
2	INSULATOR	HEAT RESISTING PLASTICS	BLACK, UL94V-0
1	SHELL	Zn ALLOY	-
NO.	DISCRIPTION	MATERIAL	FINISH , REMARKS

NOTES

1. CONNECTOR TO BE MATED: 30007-200T-03*

Rev.6



CONNECTOR ON RECOMMENDED FOOTPRINT PATTERN

Rev.6

Plug Assembly

ITEMS	SPECIFICATION
RATING VOLTAGE	250V AC (PER CONTACT PIN)
RATING AMPERAGE (FOR CONTACT)	0.5A AC/DC (PER CONTACT PIN)
OPERATING TEMPERATURE	208~358K(-65°C~+85°C)
OPERATING HUMIDITY	85% MAX.(NON-CONDENSING)
CONTACT RESISTANCE (FOR CONTACT)	INITIAL : 70mohm MAX. / AFTER TEST : \leq 25mohm MAX.
INSULATION RESISTANCE	INITIAL : 10,000Mohm MIN. / AFTER TEST : 1,000Mohm MIN.
DIELECTRIC WITHSTANDING VOLTAGE	AC500V 1min
DURABILITY	5,000 CYCLES
MATING FORCE (INITIAL)	0.9N/pos. MAX.
UNMATING FORCE (AFTER TEST)	0.059N/pos. MIN.
COPLANARITY	-
PRODUCT SPECIFICATION	PRS-1011
TEST REPORT	TR-9020
PACKING STANDARD	300-251
INSTRUCTION MANUAL	-
APPEARANCE CRITERIA No.	QLS-A***

Rev.6

Receptacle Assembly

Recommended P/N	30002-***0T-F	30002-***0T-01F	
PART No.	30002-***T-***F		

5 LOCATOR PLATE (SEE P/N90023-001)

2-M2.5 P0.45 (SEE P/N90023-001)

4 GUIDE PIN

3 RECEPTACLE INSULATOR

2 RECEPTACLE CONTACT

1 RECEPTACLE SHELL

RoHS Compliant

SCREW 90023-001 (S= 5/1)

No.	DISCRIPTION	MATERIAL	FINISH , REMARKS
5	LOCATOR PLATE	PA	BLACK UL94V-0
4	GUIDE PIN	STEEL	Ni PLATING
3	RECEPTACLE INSULATOR	PPS	BLACK UL94V-0
2	RECEPTACLE CONTACT	COPPER ALLOY	ALL OVER Ni 1.27 μ m MIN. CONTACT PART Au 0.05 μ m MIN.
1	RECEPTACLE SHELL	Zn ALLOY	Ni PLATING
No.			

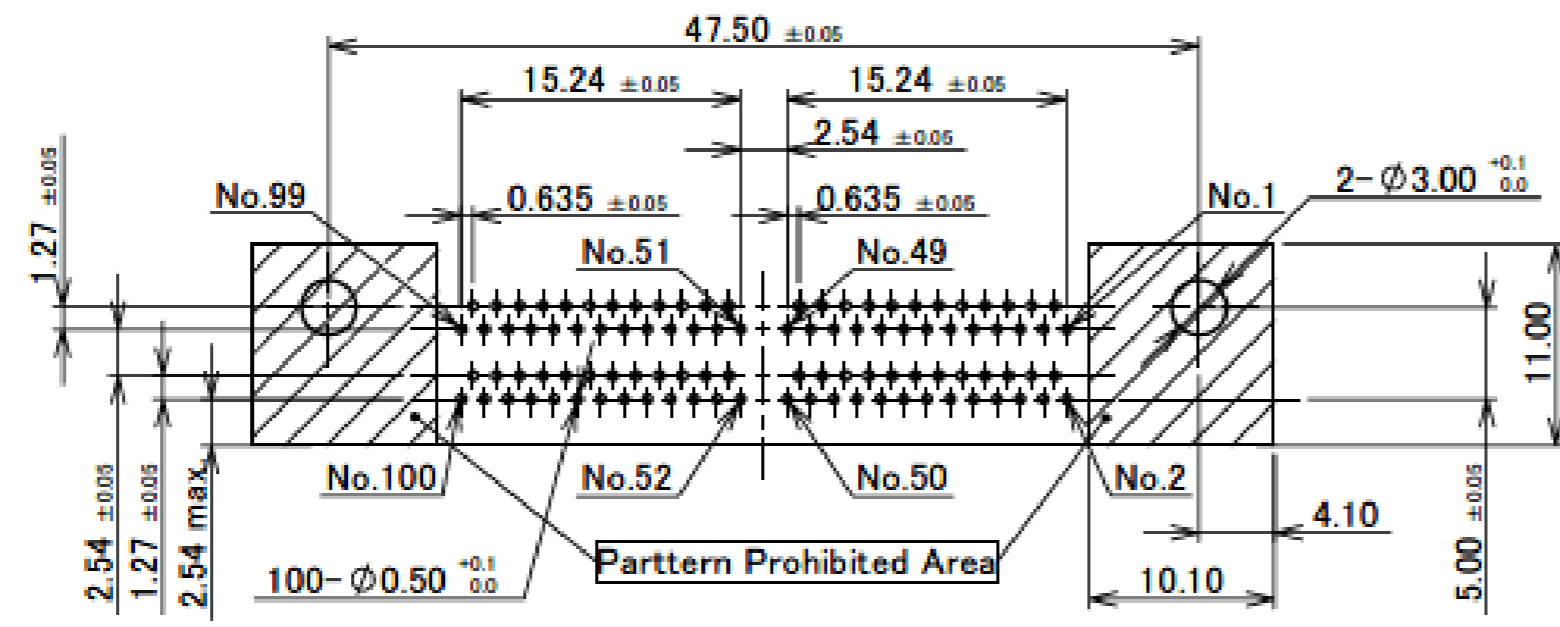
30002-***0T-***F NONE: WITHOUT SCREW
01: WITH SCREW
EXAMPLE
POS.10 : 100P
24 : 240P

NOTE
1. CONNECTOR TO BE MATED: 30001, 30005

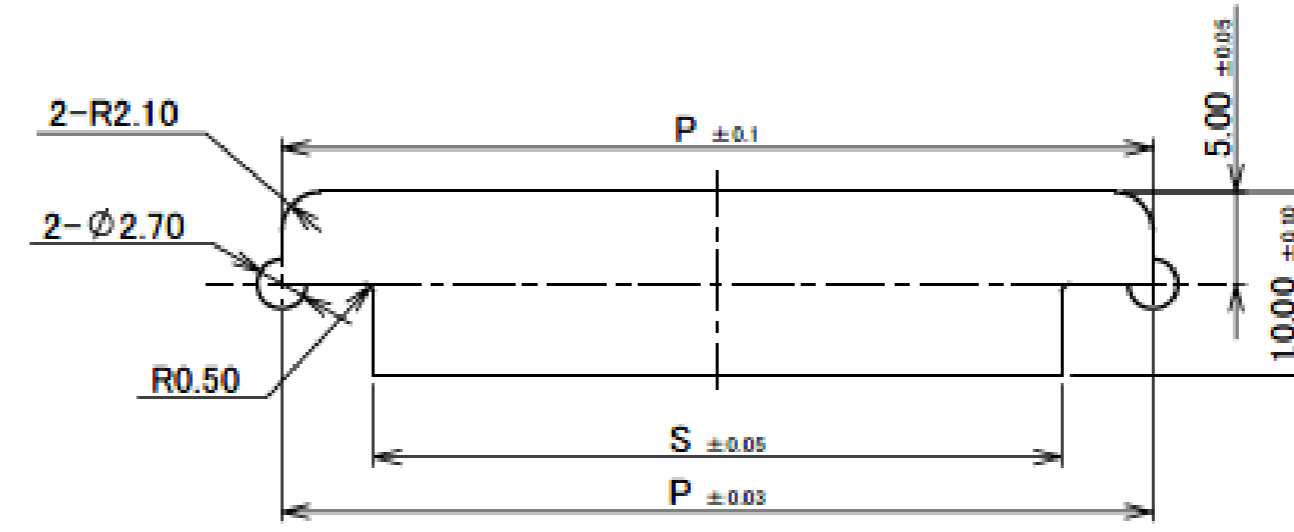
Rev.31

Receptacle Assembly

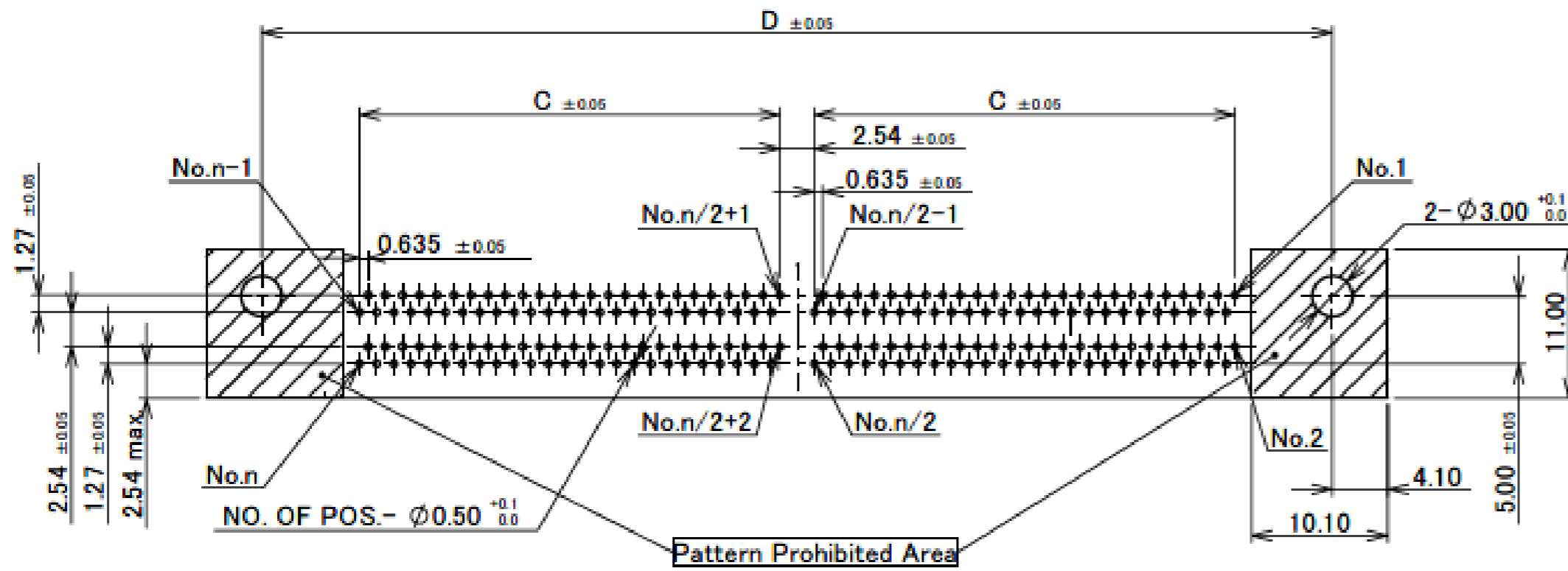
	POS.	A	B	C	D	H	J	K	M	N	P	S	NOTE
30002-100T-F	100P	51.65	42.25	15.24	47.50	37.35	38.85		2.8	2.8	47.52	37.55	WITHOUT SCREW
30002-240T-F	240P	96.10	86.70	37.465	91.95	81.80	83.30	2.50	2.5	3.1	91.95	82.00	
30002-100T-01F	100P	51.65	42.25	15.24	47.50	37.35	38.85		2.8	2.8	47.52	37.55	WITH SCREW
30002-240T-01F	240P	96.10	86.70	37.465	91.95	81.80	83.30	5.30	2.5	3.1	91.95	82.00	



RECOMMENDED FOOTPRINT PATTERN $t=1.6 \pm 0.1$ (100P ONLY)



RECOMMENDED OPENING FOR MOUNTING BRACKET



RECOMMENDED FOOTPRINT PATTERN $t=1.6 \pm 0.1$ (OTHERS)

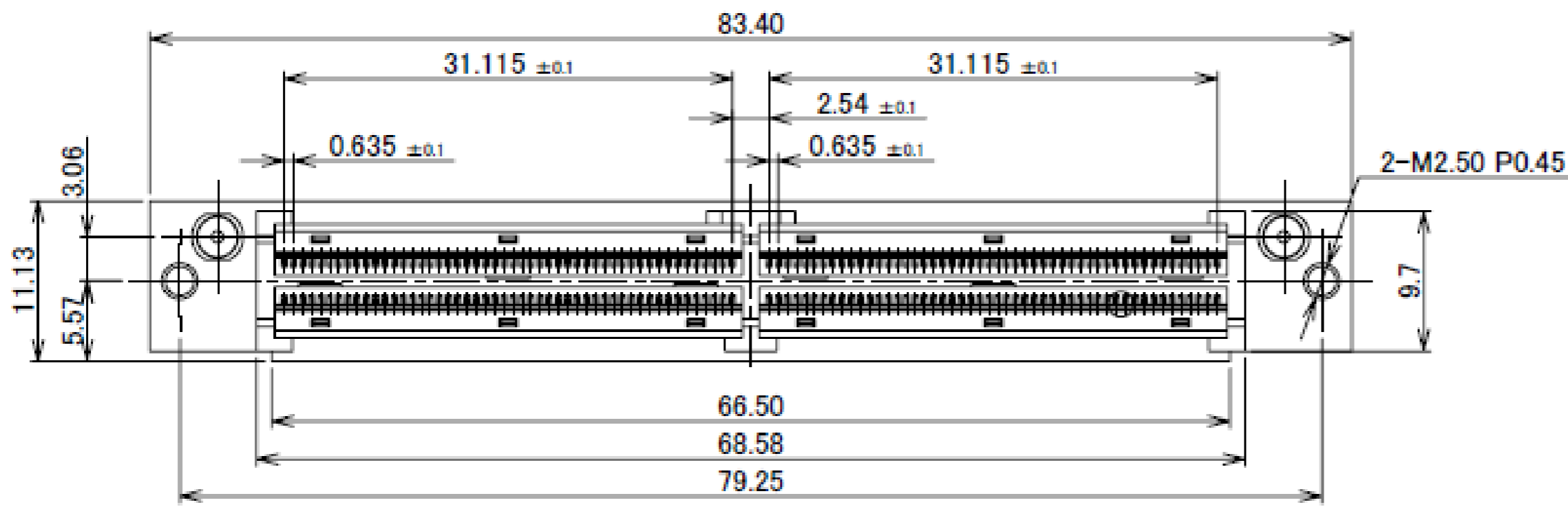
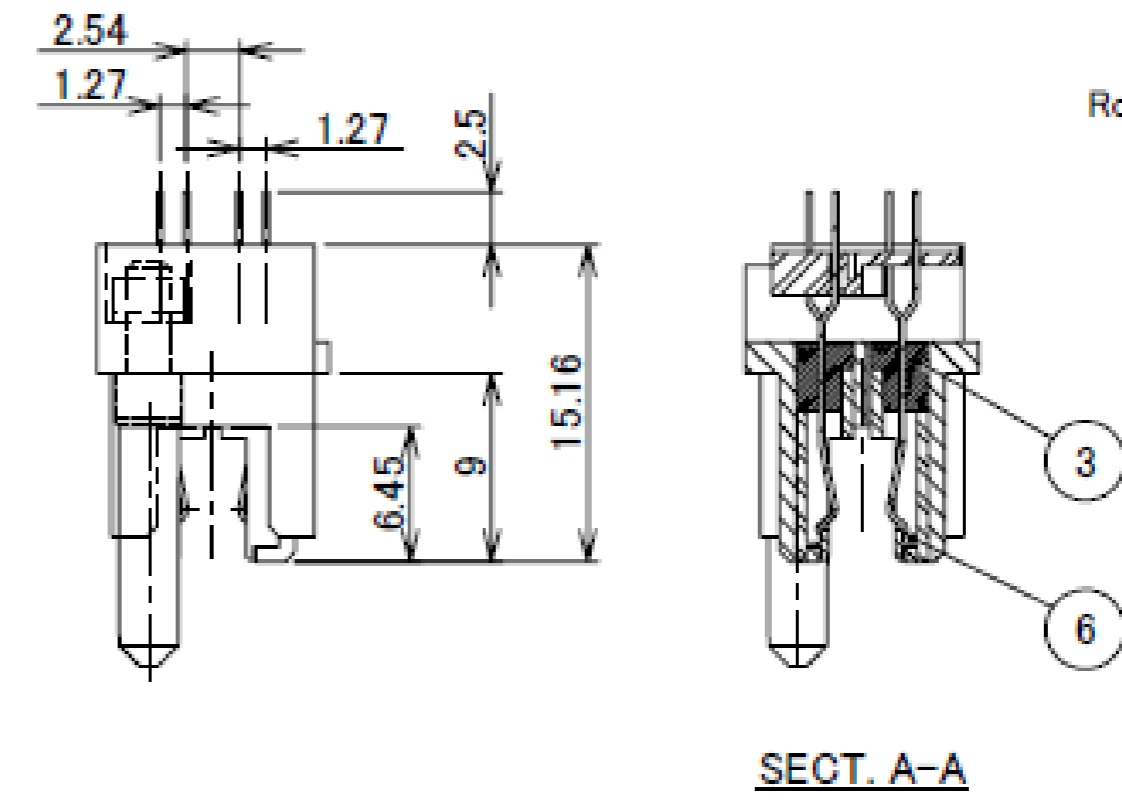
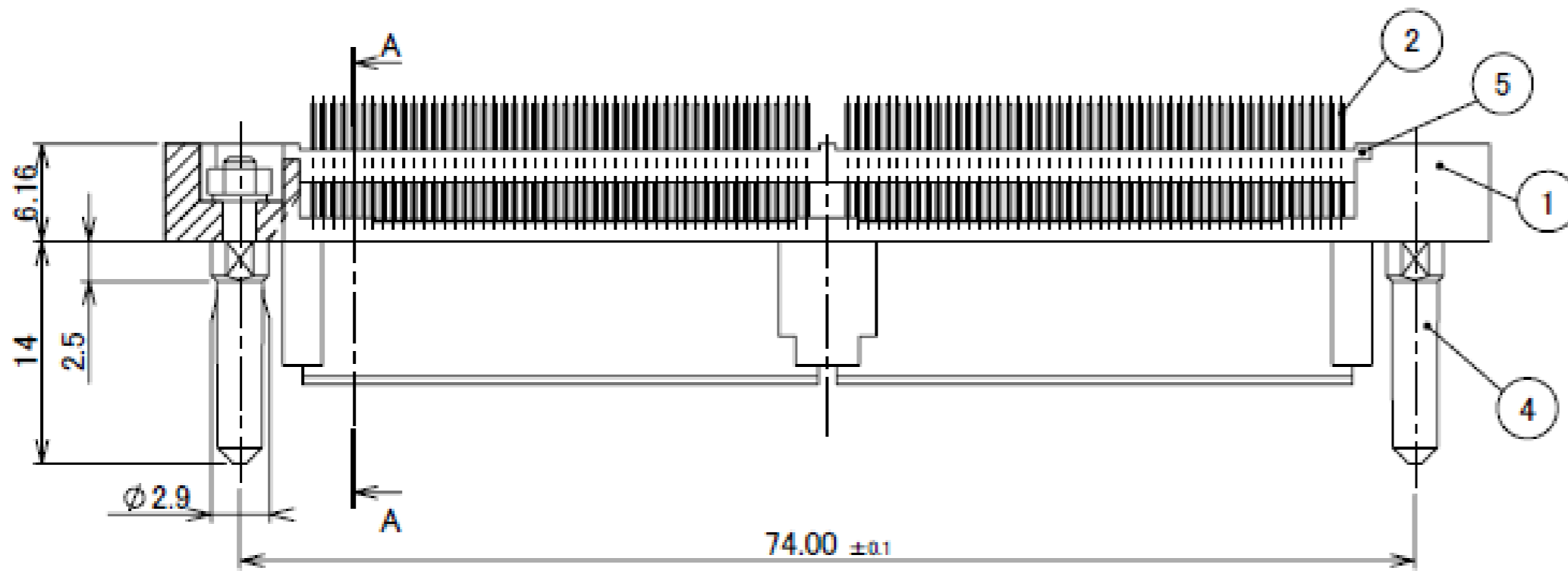
Rev.31

ITEMS	SPECIFICATION
RATING VOLTAGE	250V AC (PER CONTACT PIN)
RATING AMPERAGE (FOR CONTACT)	0.5A AC/DC (PER CONTACT PIN)
OPERATING TEMPERATURE	208~358K(-65°C~+85°C)
OPERATING HUMIDITY	85% MAX.(NON-CONDENSING)
CONTACT RESISTANCE (FOR CONTACT)	INITIAL : 70mohm MAX. / AFTER TEST : ≤ 25 mohm MAX.
INSULATION RESISTANCE	INITIAL : 10,000Mohm MIN. / AFTER TEST : 1,000Mohm MIN.
DIELECTRIC WITHSTANDING VOLTAGE	AC500V 1min
DURABILITY	5,000 CYCLES
MATING FORCE (INITIAL)	0.9N/pos. MAX.
UNMATING FORCE (AFTER TEST)	0.059N/pos. MIN.
COPLANARITY	-
PRODUCT SPECIFICATION	PRS-1011
TEST REPORT	TR-9020
PACKING STANDARD	300-015
INSTRUCTION MANUAL	-
APPEARANCE CRITERIA No.	QLS-A***

Rev.31

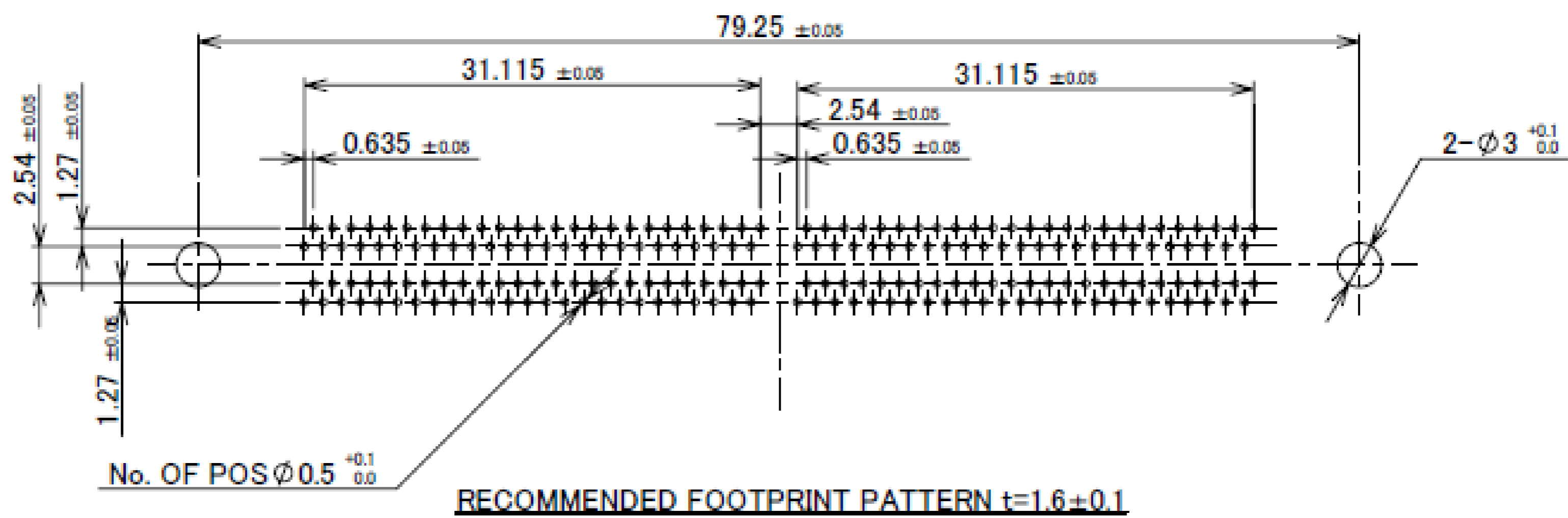
Receptacle Assembly

Recommended P/N 30007-200T-03F
 PART NO.
 30007-200T-03F



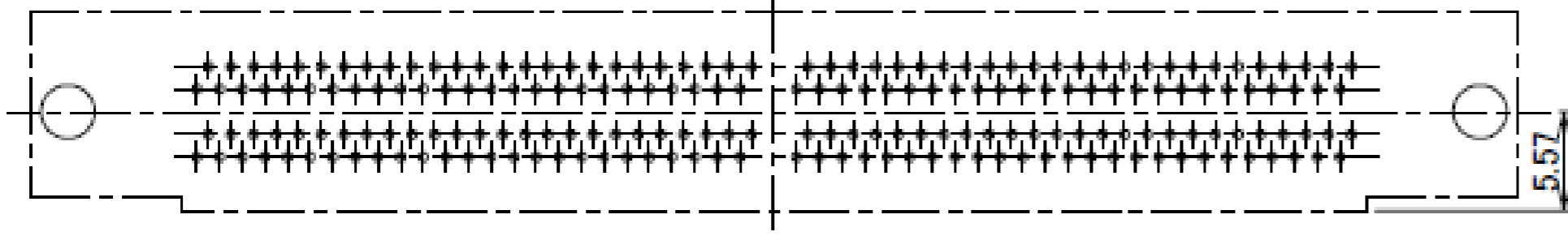
6	CONTACT GUIDE	PPS	BLACK UL94V-0
5	LOCATOR PLATE	PA	BLACK UL94V-0
4	GUIDE PIN	STEEL	Ni PLATING
3	RECE INSULATOR	PPS	BLACK UL94V-0
2	RECE CONTACT	COPPER ALLOY	CONTACT PART Au FLASH OVER Pd-Ni SOLDER TAIL Au FLASH
1	RECE SHELL	Zn ALLOY	Ni OVER Cu PLATING
NO.	DISCRIPTION	MATERIAL	FINISH , REMARKS

Rev.15

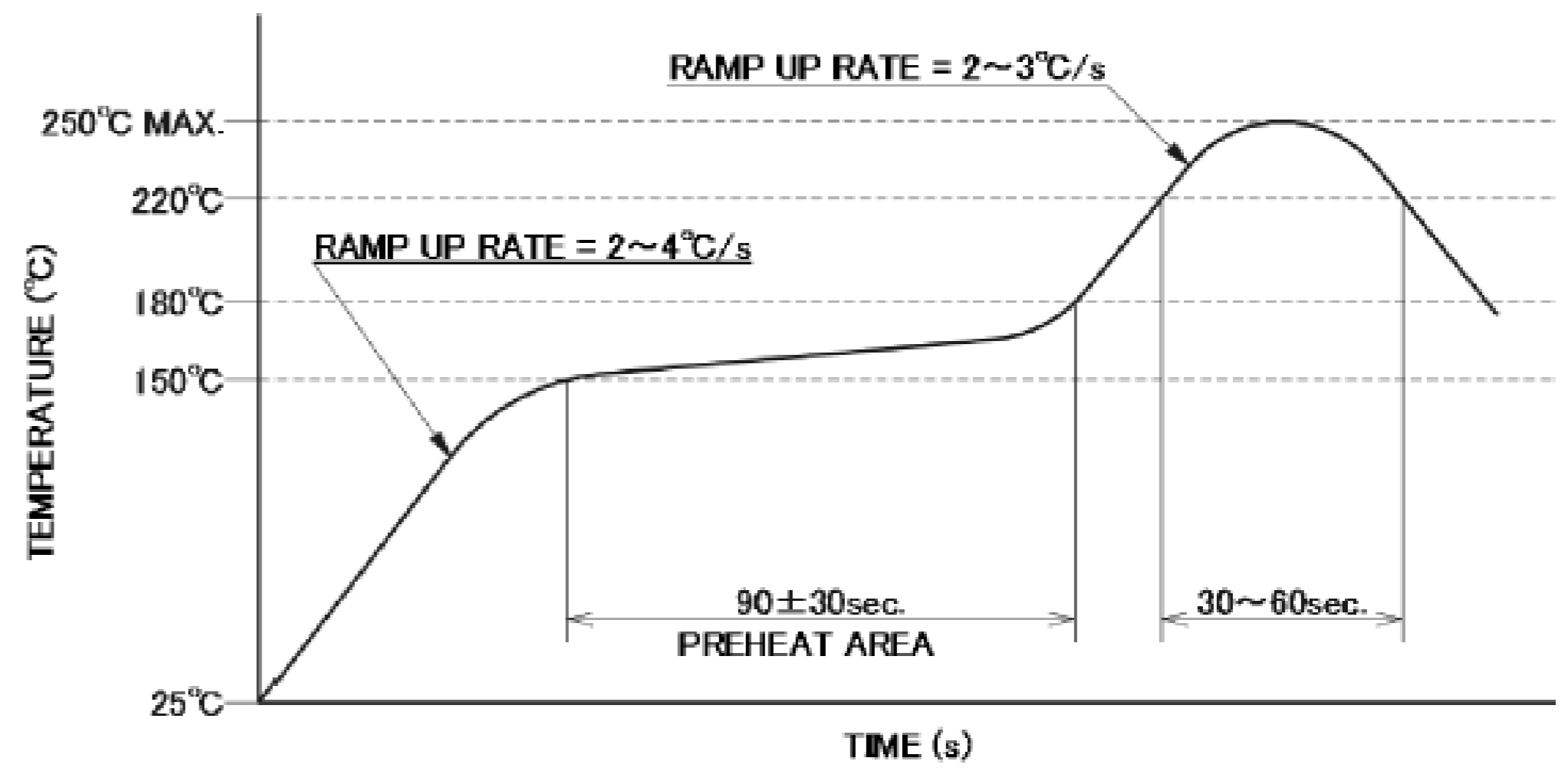


Rev.15

Receptacle Assembly



CONNECTOR ON RECOMMENDED FOOTPRINT PATTERN



REFLOW TEMPERATURE PROFILE
SENJU METAL INDUSTRY CO., LTD. : M705-SHE(Sn96.5 Ag3.0 Cu0.5)

Rev.15

ITEMS	SPECIFICATION
RATING VOLTAGE	250V AC (PER CONTACT PIN)
RATING AMPERAGE (FOR CONTACT)	0.5A AC/DC (PER CONTACT PIN)
OPERATING TEMPERATURE	208~358K(-65°C~+85°C)
OPERATING HUMIDITY	85% MAX.(NON-CONDENSING)
CONTACT RESISTANCE (FOR CONTACT)	INITIAL : 70mohm MAX. / AFTER TEST : $\leq 125\text{mohm}$ MAX.
INSULATION RESISTANCE	INITIAL : 10,000Mohm MIN. / AFTER TEST : 1,000Mohm MIN.
DIELECTRIC WITHSTANDING VOLTAGE	AC500V 1min
DURABILITY	5,000 CYCLES
MATING FORCE (INITIAL)	0.9N/pos. MAX.
UNMATING FORCE (AFTER TEST)	0.059N/pos. MIN.
COPLANARITY	-
PRODUCT SPECIFICATION	PRS-1011
TEST REPORT	TR-9020
PACKING STANDARD	300-030
INSTRUCTION MANUAL	-
APPEARANCE CRITERIA No.	QLS-A***

Rev.15

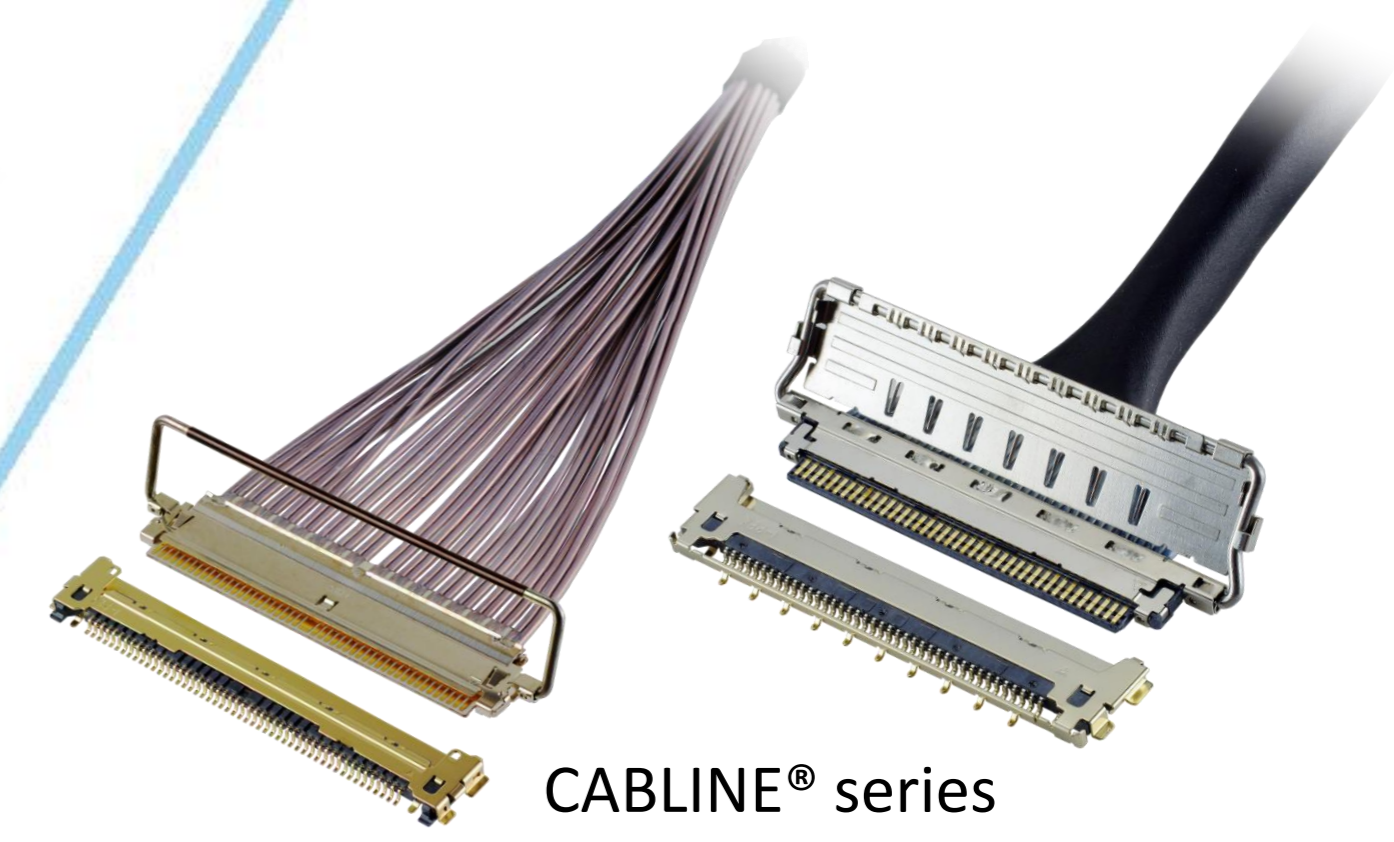
Custom Products Available

RF Connector

MHF® series



Micro-coaxial/Twinax/ Discrete Wire Connector



CABLINE® series

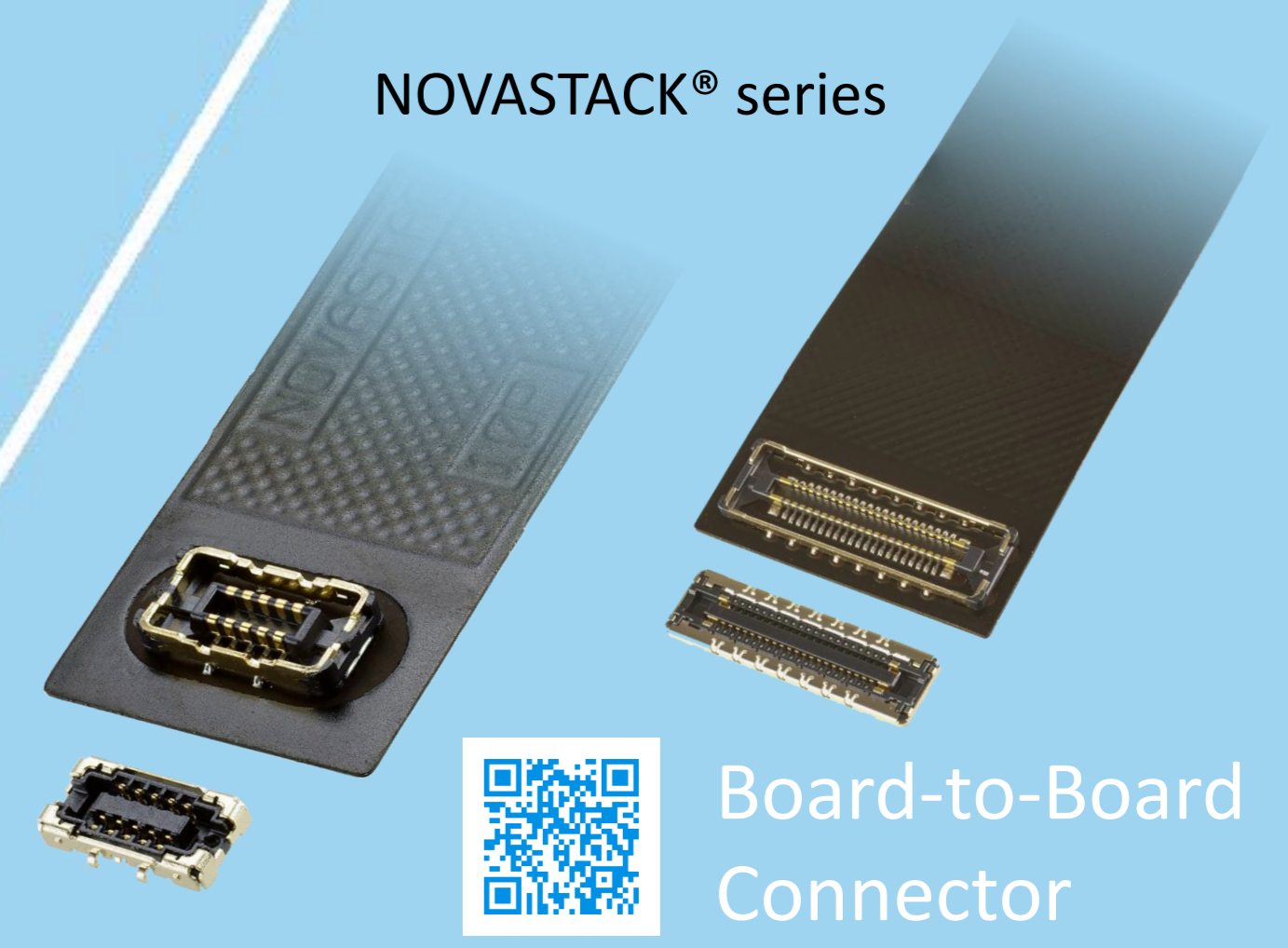


Optical Module

LIGHTPASS® series



NOVASTACK® series



Board-to-Board Connector



Power Connector/ Terminal

AP series

ISH® series

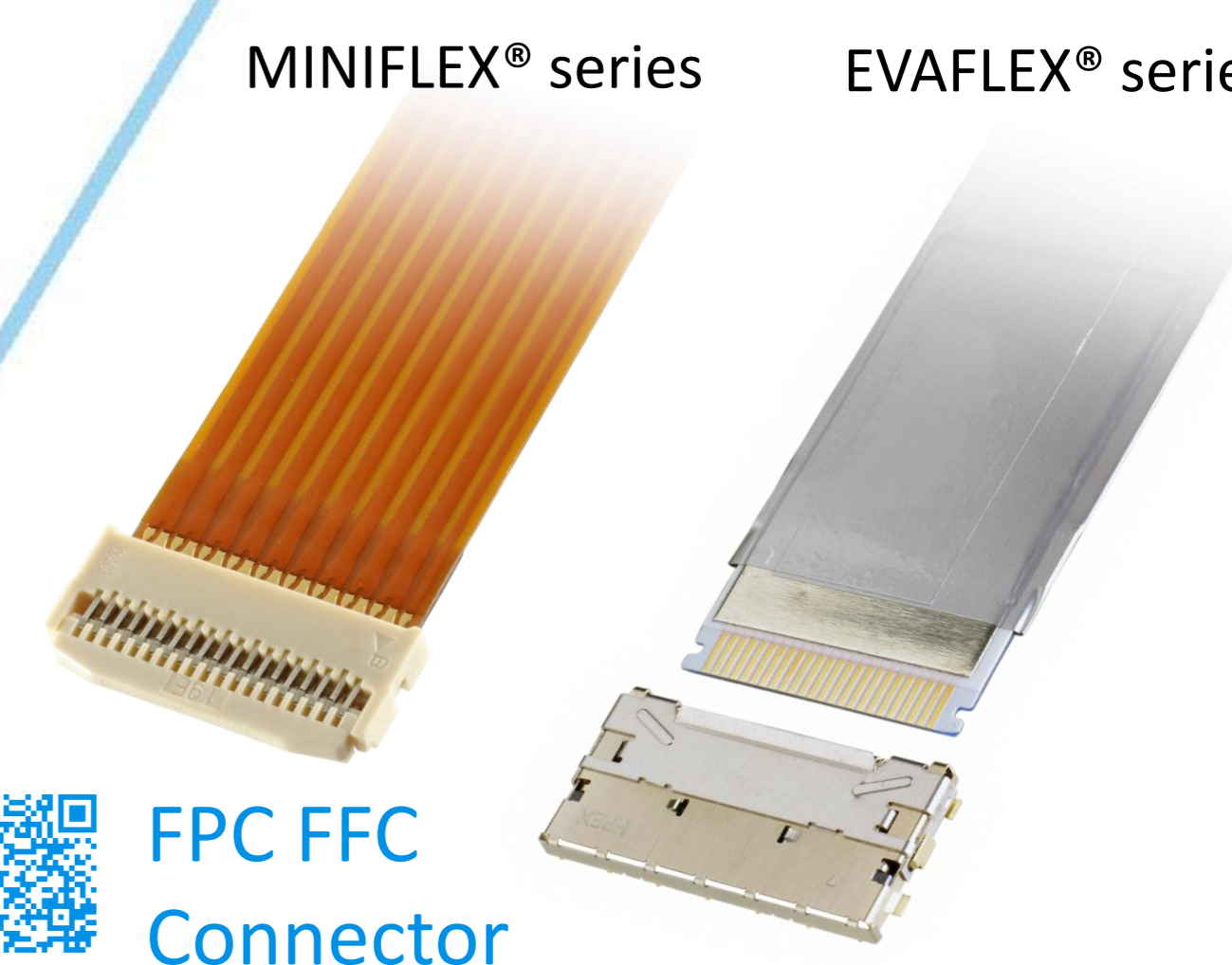


MINIFLEX® series

EVAFLEX® series



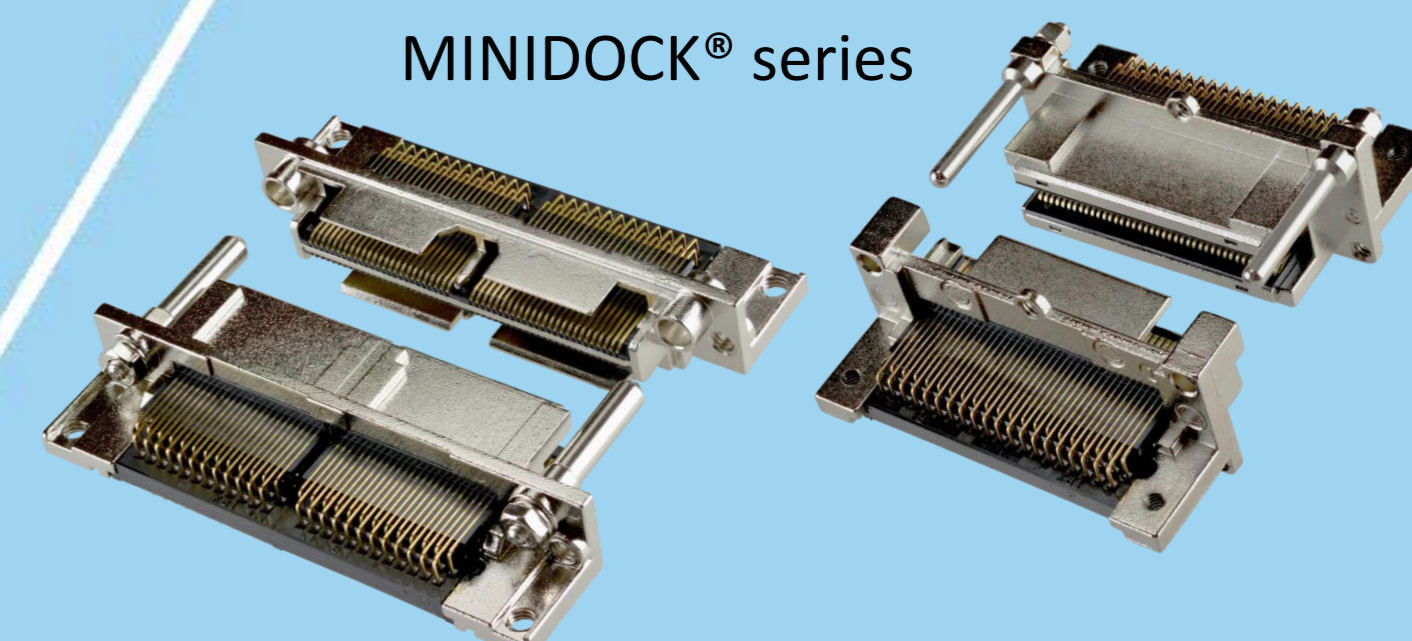
FPC FFC Connector



Inquiry



MINIDOCK® series



I/O Connector

I-PEX, MHF, CABLINE, LIGHTPASS, NOVASTACK, ISH, IARPB, MINIFLEX, EVAFLEX, MINIDOCKS and ZenShield are registered trademarks of I-PEX Inc. Please note that the contents in the catalog might be changed without prior notification. I-PEX Inc. assumes no responsibility for any inaccuracies or obligation to update information on these documents. Please be sure to read and understand the latest "Precautions for Use" and "Instruction Manual" before you use our products. We shall not be responsible for any defects, damages or troubles in case you use our products without following the precautions for use. Please feel free to contact our sales representatives when you use our products for any applications that require very high reliability and safety, or that relate to human life (ex. nuclear power control, aerospace, transportation, medical equipment, safety equipment etc.).

Contact your sales representative or more detailed information.

www.i-pex.com



I-PEX

© I-PEX Inc. 2024
All rights reserved