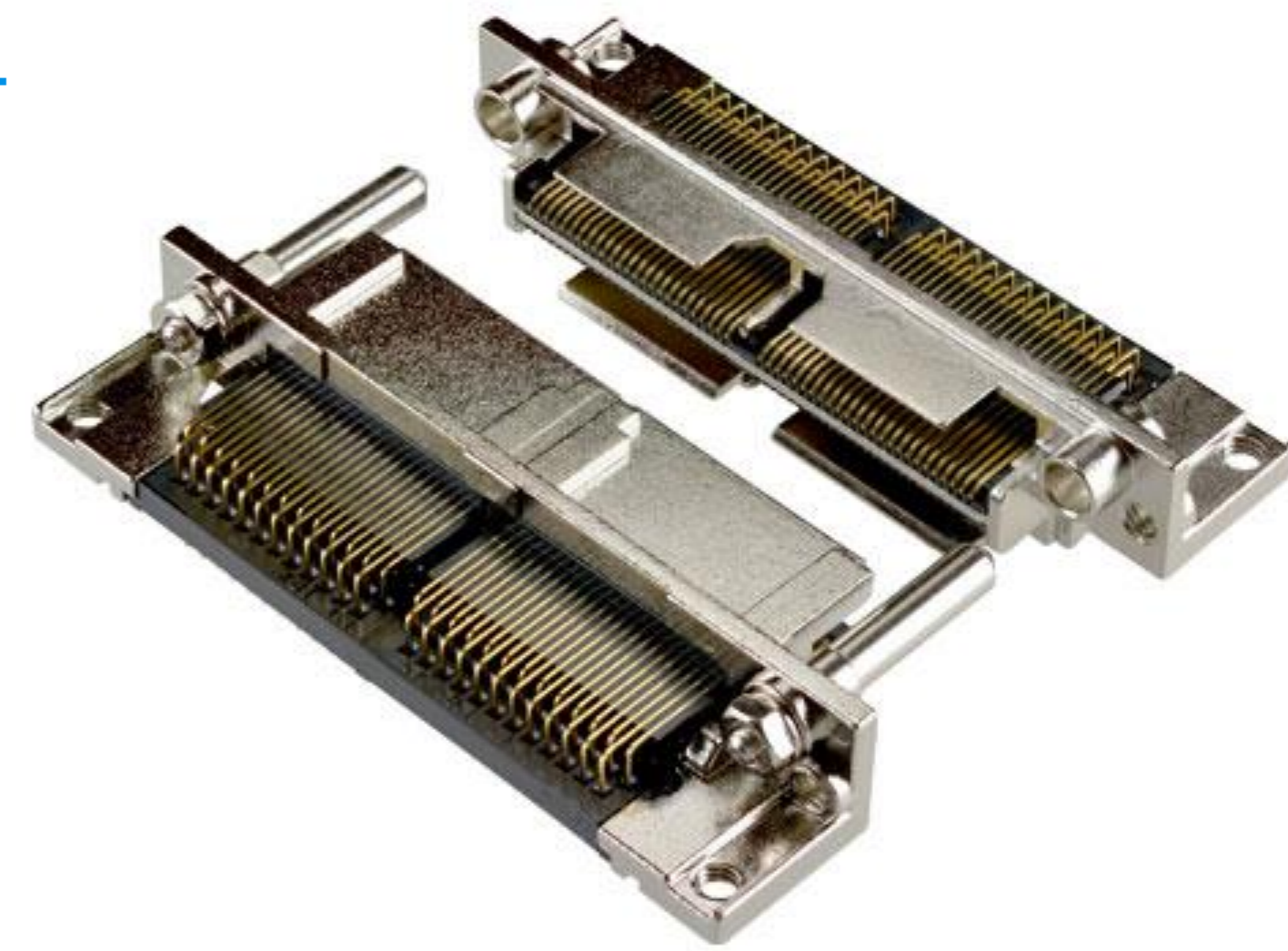


MINIDOCK™ STANDARD

堅牢多極ドッキングI/Oコネクタ



Product Specifications:

Board Pitch (mm)		0.635
Size (mm)	Height	9.9 ~ 16.9 mm (Plug) 11.13 ~ 22.53 mm (Rece)
	Width	36.0 ~ 96.10 mm (Plug / Rece)
	Depth	9.9 ~ 17.8 mm (Plug) 11.13 ~ 22.53 mm (Rece)
Rating	Amperage	0.5 A AC/DC (Per Contact Pin)
	Voltage	250 V AC/DC (Per Contact Pin)

*記載のない極数の対応状況についてはお問い合わせください。

▶ 多くのアプリケーションに対応した堅牢なコネクタ(ポータブル機器や医療機器等)

Standard Type Plug :

Part Number	Pin Count	Mating Type	Contact Type	Appearance
30001	100, 240	ライトアングル	オールロングピン スタンダードタイプ	
30094	200		オールロングピン オフセットタイプ	

Standard Type Receptacle :

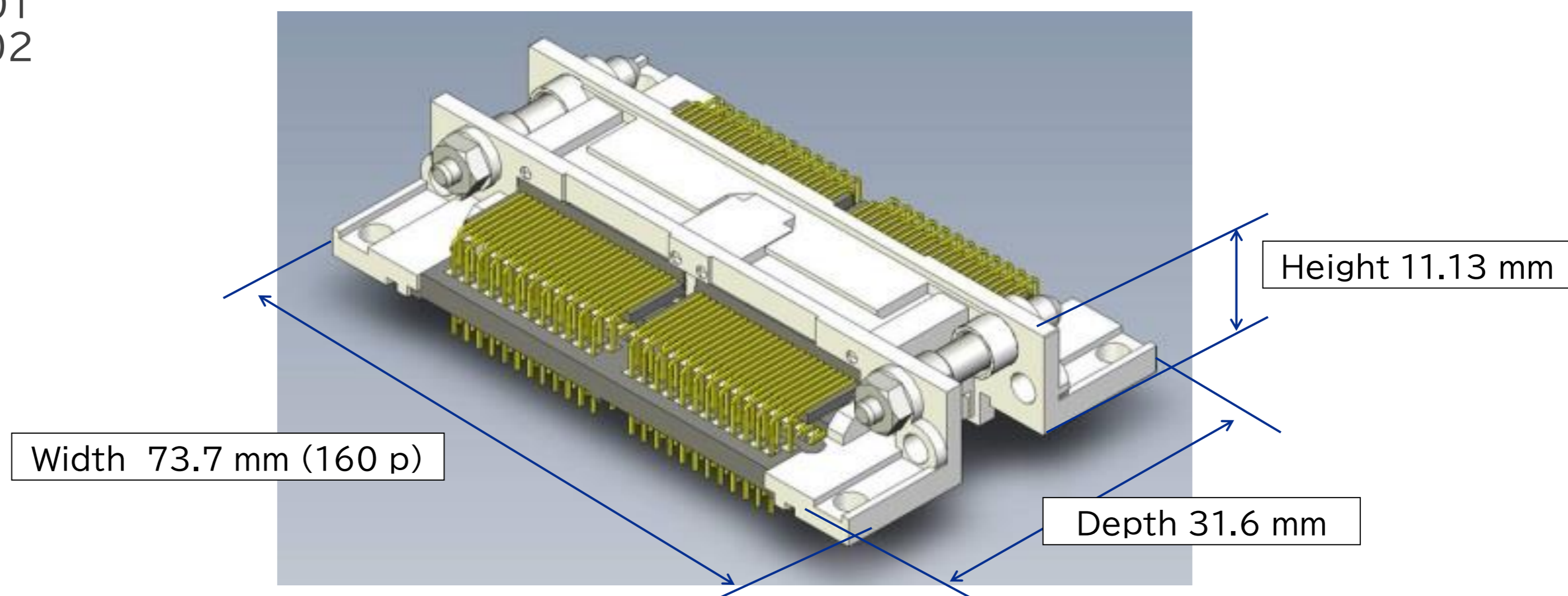
Part Number	Pin Count	Mating Type	Appearance
30002	100, 240	ライトアングル	
30007	200	バーティカル	

▶ 挿抜保証回数: 5000サイクル

ライトアングルプラグ - ライトアングルレセプタクル嵌合

型番

- ・ プラグ 30001
- ・ レセプタクル 30002

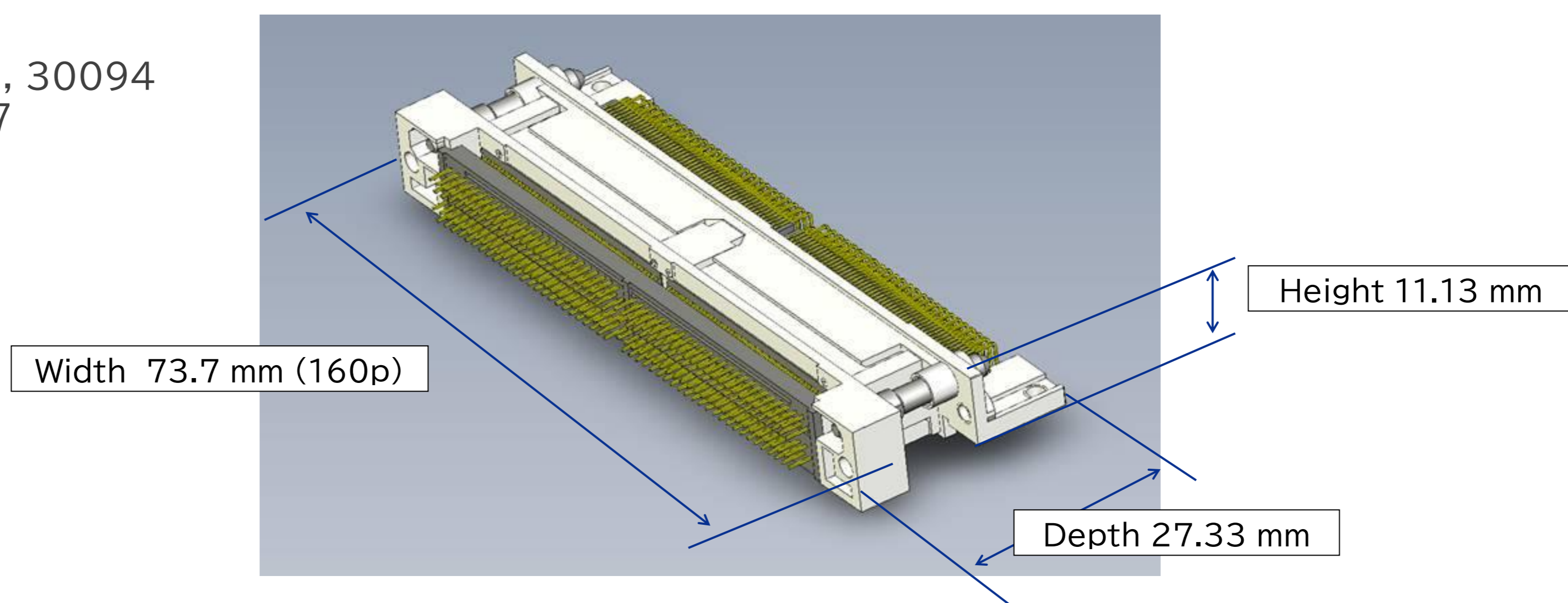


▶ 嵌合タイプと保有極数が豊富

ライトアングルプラグ - バーティカルレセプタクル嵌合

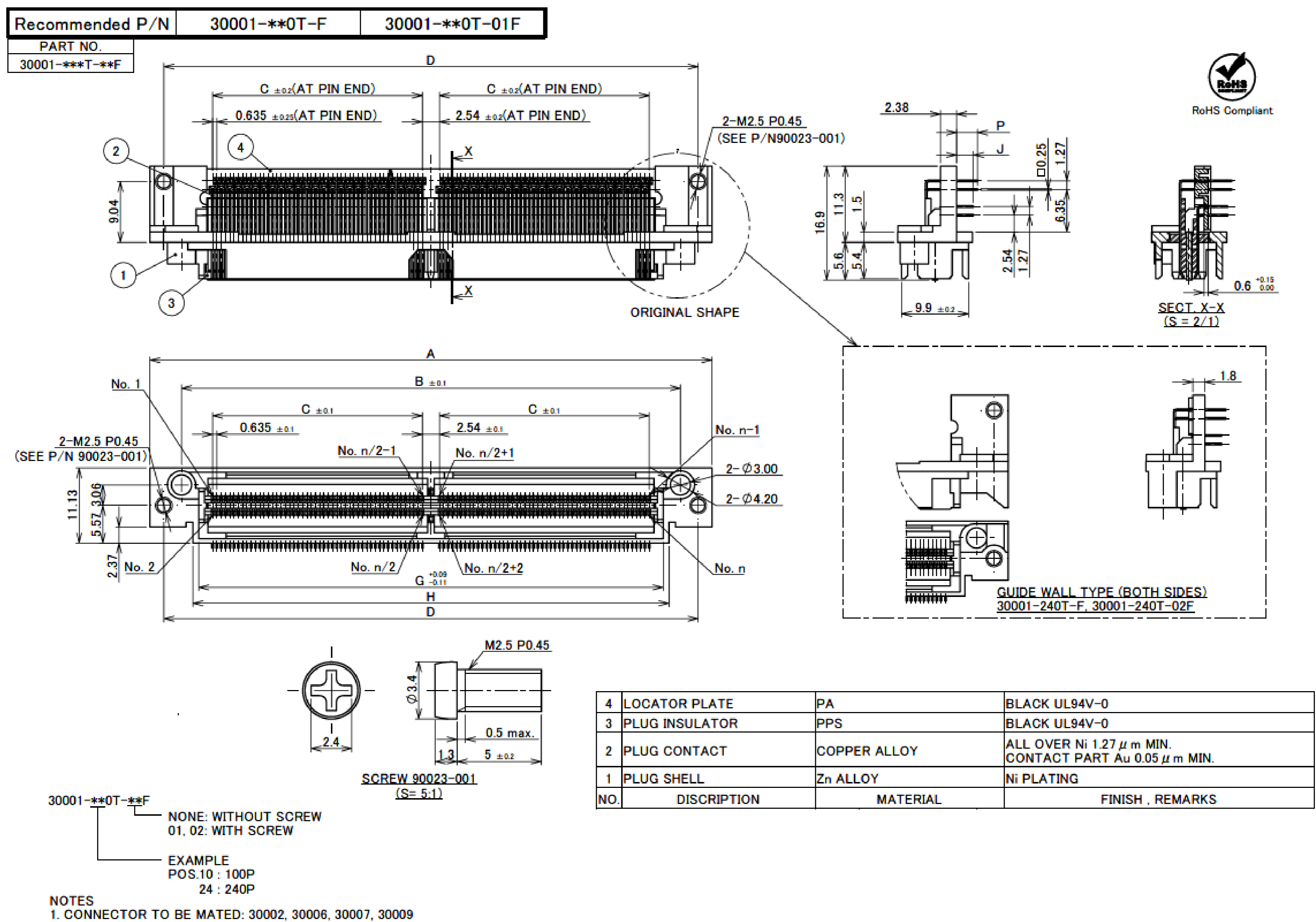
型番

- ・ プラグ 30001, 30094
- ・ レセプタクル 30007



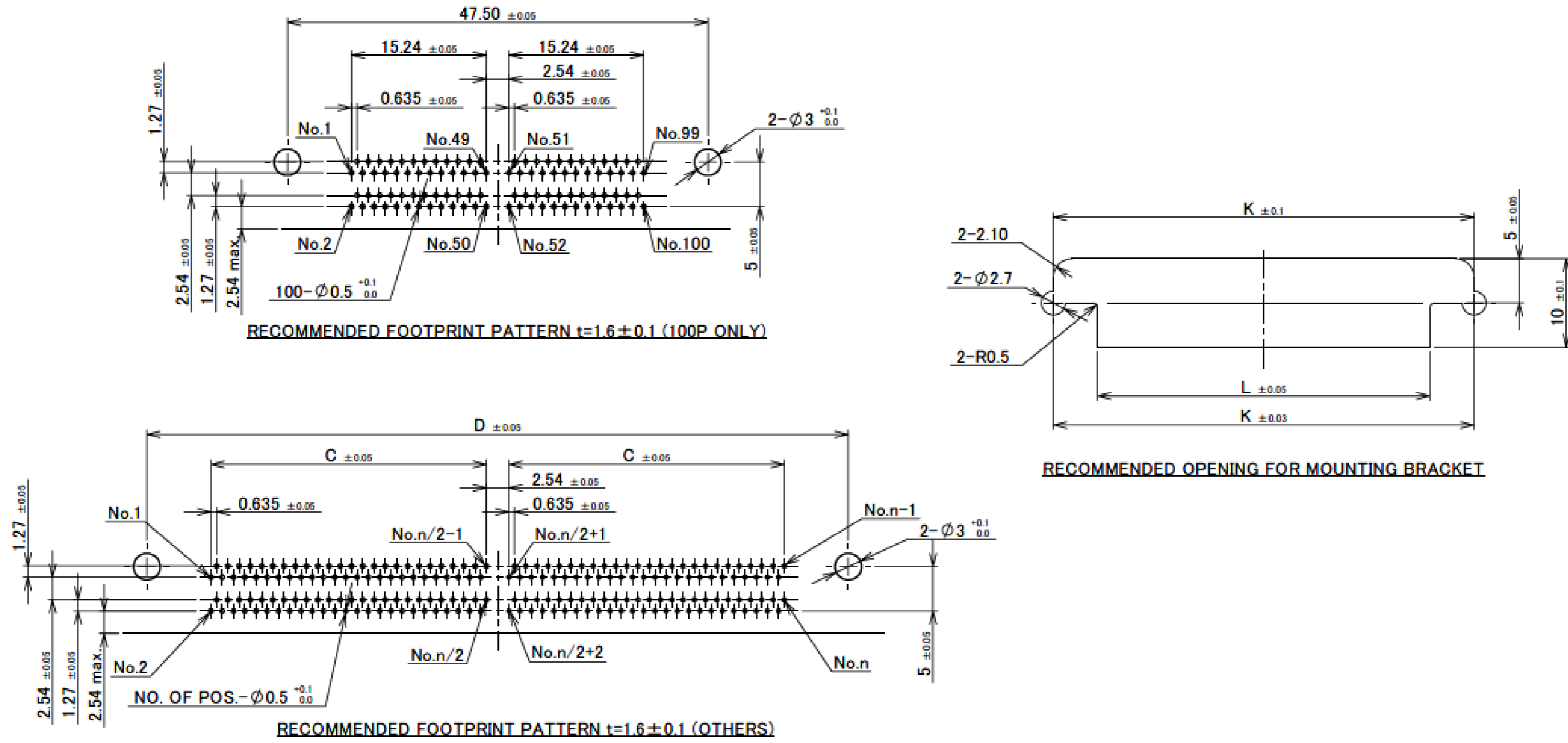
Component Parts Details

Plug Assembly



Plug Assembly

PART No.	POS	A	B	C	D	G	H	P	J	K	L	SCREW	NOTE
30001-100T-F	100P	51.65	42.25	15.24	47.50	37.35	38.85	2.5	2.1	47.52	37.55	WITHOUT SCREW	-
30001-240T-F	240P	96.10	86.70	37.465	91.95	81.80	83.30	3.1	2.5	91.95	82.00	WITH SCREW	GUIDE WALL TYPE
30001-100T-01F	100P	51.65	42.25	15.24	47.50	37.35	38.85	2.5	2.1	47.52	37.55	WITH SCREW	-
30001-240T-02F	240P	96.10	86.70	37.465	91.95	81.80	83.30	3.1	2.5	91.95	82.00	WITH SCREW	GUIDE WALL TYPE



Rev.35

ITEMS	SPECIFICATION
RATING VOLTAGE	250V AC (PER CONTACT PIN)
RATING AMPERAGE (FOR CONTACT)	0.5A AC/DC (PER CONTACT PIN)
OPERATING TEMPERATURE	208~358K(-65°C~+85°C)
OPERATING HUMIDITY	85% MAX.(NON-CONDENSING)
CONTACT RESISTANCE (FOR CONTACT)	INITIAL : 70mohm MAX. / AFTER TEST : \leq 25mohm MAX.
INSULATION RESISTANCE	INITIAL : 10,000Mohm MIN. / AFTER TEST : 1,000Mohm MIN.
DIELECTRIC WITHSTANDING VOLTAGE	AC500V 1min
DURABILITY	5,000 CYCLES
MATING FORCE (INITIAL)	0.9N/pos. MAX.
UNMATING FORCE (AFTER TEST)	0.059N/pos. MIN.
COPLANARITY	-
PRODUCT SPECIFICATION	PRS-1011
TEST REPORT	TR-9020
PACKING STANDARD	300-014
INSTRUCTION MANUAL	-
APPEARANCE CRITERIA No.	QLS-A***

Rev.35

Plug Assembly

ITEMS	SPECIFICATION
RATING VOLTAGE	250V AC (PER CONTACT PIN)
RATING AMPERAGE (FOR CONTACT)	0.5A AC/DC (PER CONTACT PIN)
OPERATING TEMPERATURE	208~358K(-65°C~+85°C)
OPERATING HUMIDITY	85% MAX.(NON-CONDENSING)
CONTACT RESISTANCE (FOR CONTACT)	INITIAL : 70mohm MAX. / AFTER TEST : \leq 25mohm MAX.
INSULATION RESISTANCE	INITIAL : 10,000Mohm MIN. / AFTER TEST : 1,000Mohm MIN.
DIELECTRIC WITHSTANDING VOLTAGE	AC500V 1min
DURABILITY	5,000 CYCLES
MATING FORCE (INITIAL)	0.9N/pos. MAX.
UNMATING FORCE (AFTER TEST)	0.059N/pos. MIN.
COPLANARITY	-
PRODUCT SPECIFICATION	PRS-1011
TEST REPORT	TR-9020
PACKING STANDARD	300-251
INSTRUCTION MANUAL	-
APPEARANCE CRITERIA No.	QLS-A***

Rev.6

Receptacle Assembly

Recommended P/N	30002-***0T-F	30002-***0T-01F	
PART No.			
30002-***T-***F			

5 LOCATOR PLATE (SEE P/N90023-001)

2-M2.5 P0.45 (SEE P/N90023-001)

2-M2.5 P0.45 (SEE P/N90023-001)

SCREW 90023-001 (S= 5/1)

RoHS Compliant

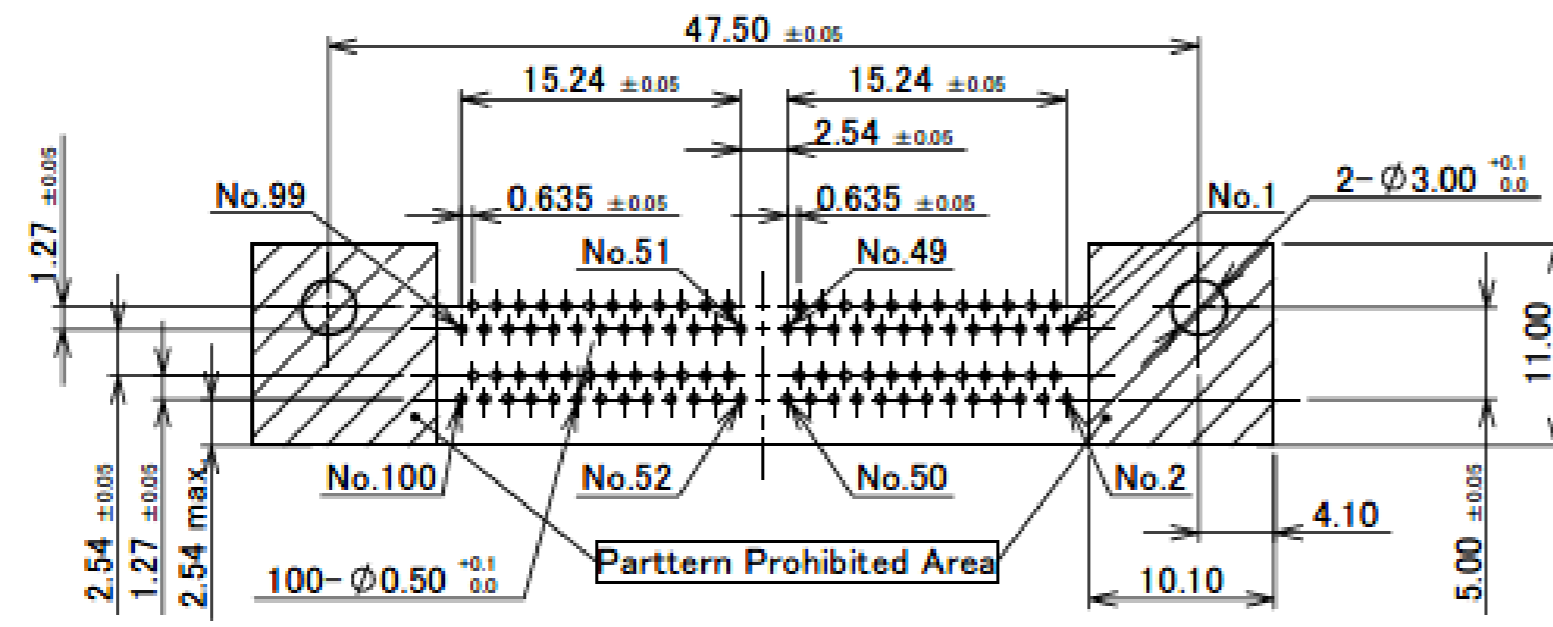
No.	DISCRIPTION	MATERIAL	FINISH , REMARKS
5	LOCATOR PLATE	PA	BLACK UL94V-0
4	GUIDE PIN	STEEL	Ni PLATING
3	RECEPTACLE INSULATOR	PPS	BLACK UL94V-0
2	RECEPTACLE CONTACT	COPPER ALLOY	ALL OVER Ni 1.27 μ m MIN. CONTACT PART Au 0.05 μ m MIN.
1	RECEPTACLE SHELL	Zn ALLOY	Ni PLATING
No.			

30002-***0T-***F NONE: WITHOUT SCREW
 01: WITH SCREW
 EXAMPLE
 POS.10 : 100P
 24 : 240P

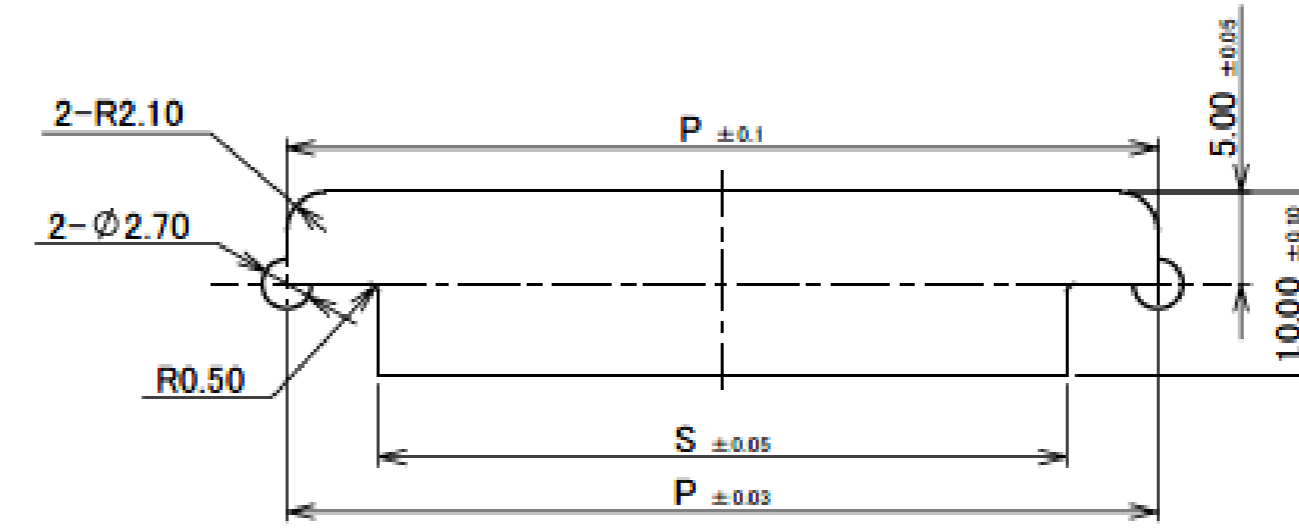
NOTE
 1. CONNECTOR TO BE MATED: 30001, 30005

Receptacle Assembly

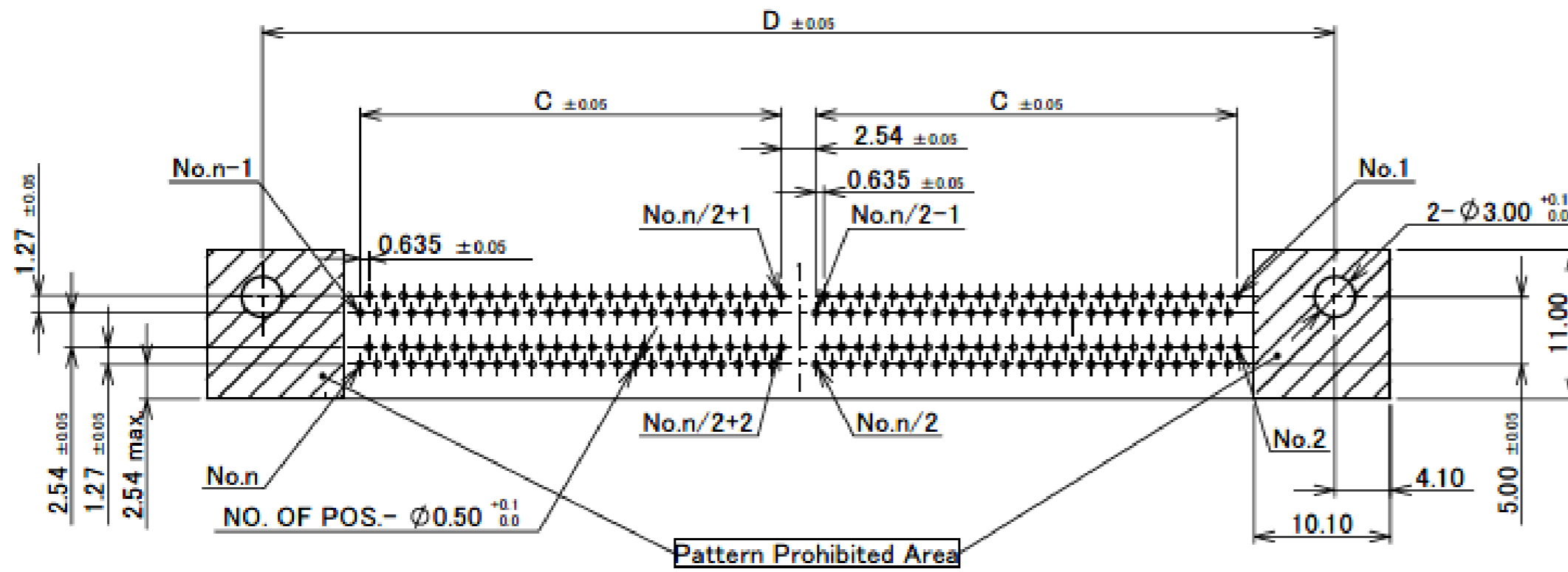
	POS.	A	B	C	D	H	J	K	M	N	P	S	NOTE
30002-100T-F	100P	51.65	42.25	15.24	47.50	37.35	38.85		2.8	2.8	47.52	37.55	WITHOUT SCREW
30002-240T-F	240P	96.10	86.70	37.465	91.95	81.80	83.30	2.50	2.5	3.1	91.95	82.00	
30002-100T-01F	100P	51.65	42.25	15.24	47.50	37.35	38.85		2.8	2.8	47.52	37.55	WITH SCREW
30002-240T-01F	240P	96.10	86.70	37.465	91.95	81.80	83.30	5.30	2.5	3.1	91.95	82.00	



RECOMMENDED FOOTPRINT PATTERN t=1.6±0.1 (100P ONLY)



RECOMMENDED OPENING FOR MOUNTING BRACKET



RECOMMENDED FOOTPRINT PATTERN t=1.6±0.1 (OTHERS)

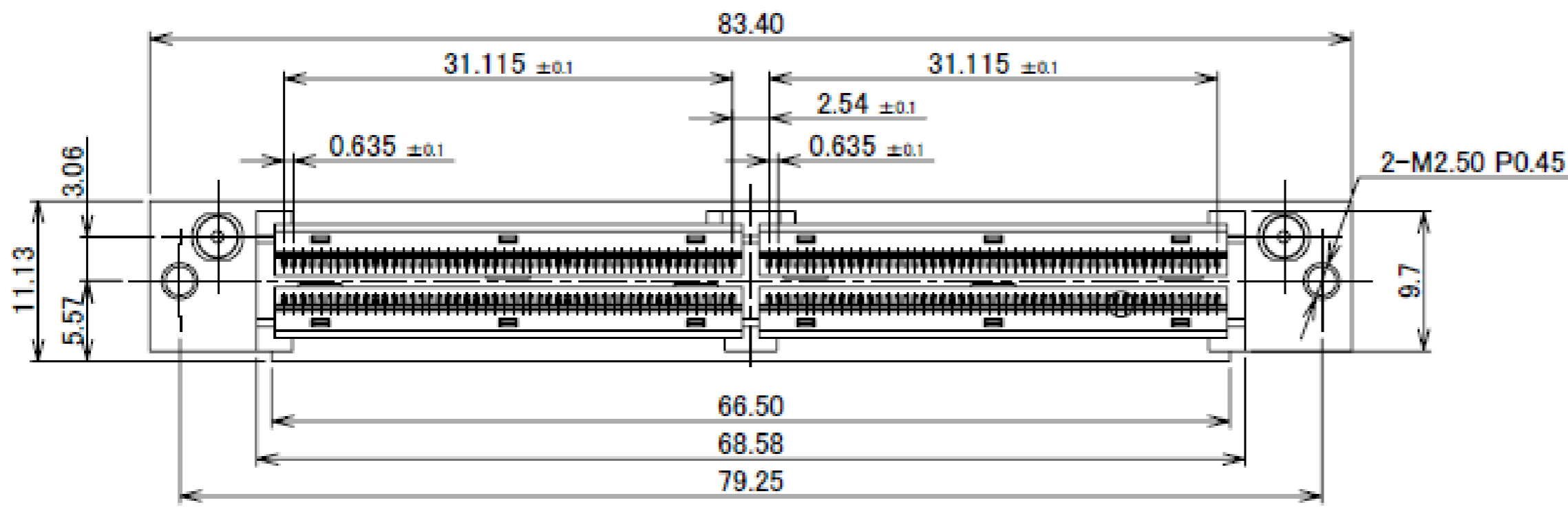
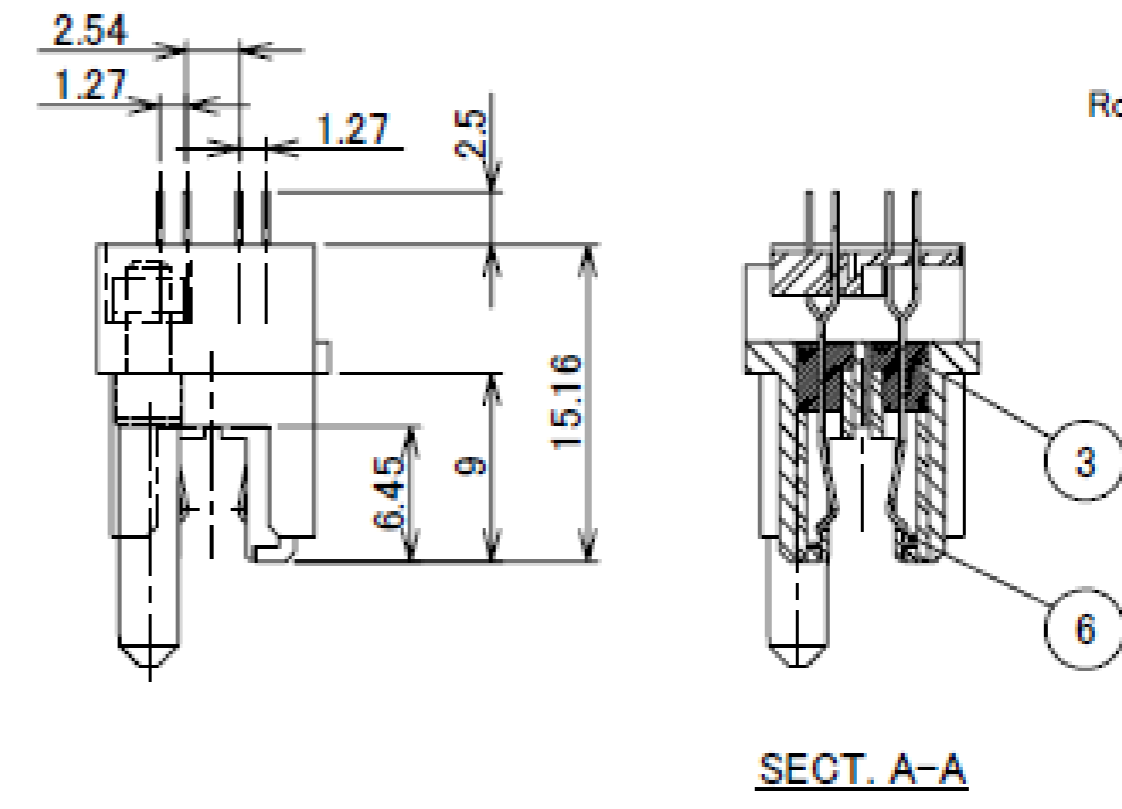
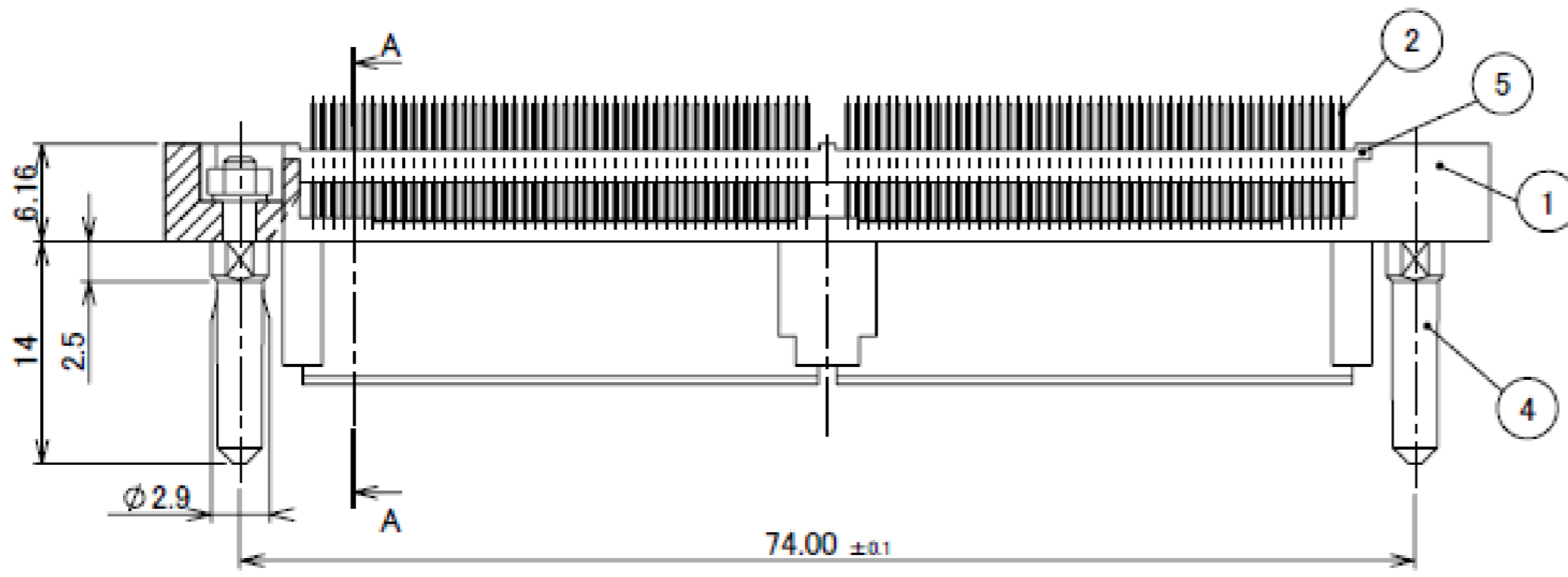
Rev.31

ITEMS	SPECIFICATION
RATING VOLTAGE	250V AC (PER CONTACT PIN)
RATING AMPERAGE (FOR CONTACT)	0.5A AC/DC (PER CONTACT PIN)
OPERATING TEMPERATURE	208~358K(-65°C~+85°C)
OPERATING HUMIDITY	85% MAX.(NON-CONDENSING)
CONTACT RESISTANCE (FOR CONTACT)	INITIAL : 70mohm MAX. / AFTER TEST : $\leq 25\text{mohm}$ MAX.
INSULATION RESISTANCE	INITIAL : 10,000Mohm MIN. / AFTER TEST : 1,000Mohm MIN.
DIELECTRIC WITHSTANDING VOLTAGE	AC500V 1min
DURABILITY	5,000 CYCLES
MATING FORCE (INITIAL)	0.9N/pos. MAX.
UNMATING FORCE (AFTER TEST)	0.059N/pos. MIN.
COPLANARITY	-
PRODUCT SPECIFICATION	PRS-1011
TEST REPORT	TR-9020
PACKING STANDARD	300-015
INSTRUCTION MANUAL	-
APPEARANCE CRITERIA No.	QLS-A***

Rev.31

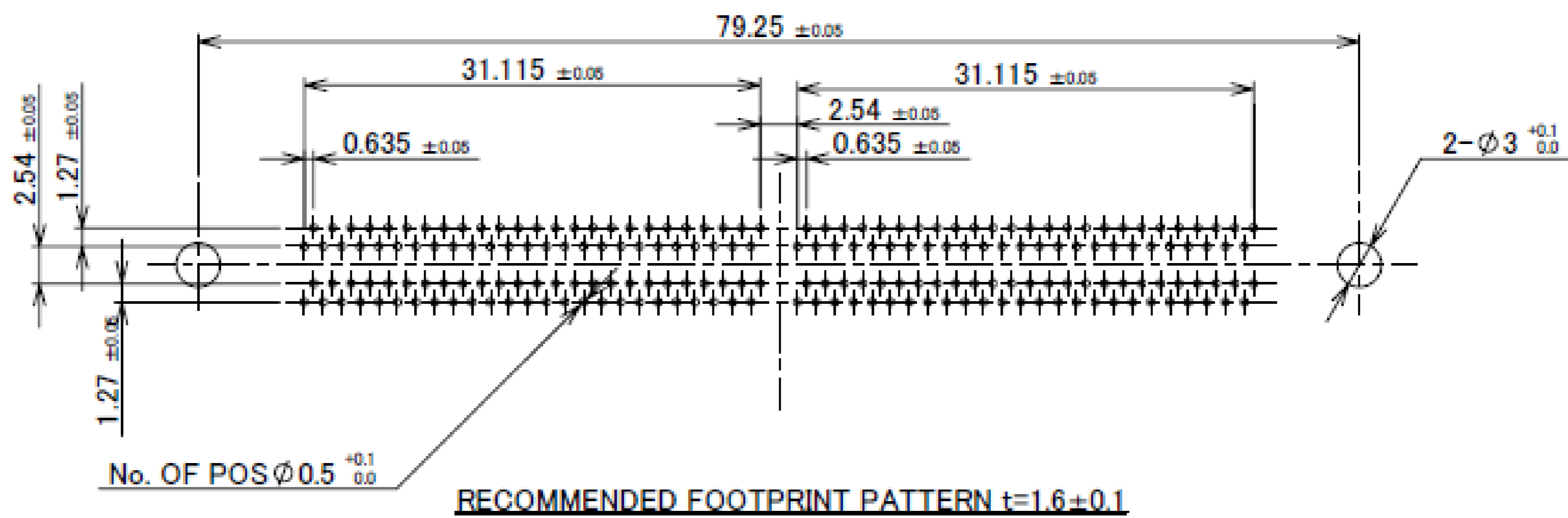
Receptacle Assembly

Recommended P/N	30007-200T-03F
PART NO.	30007-200T-03F

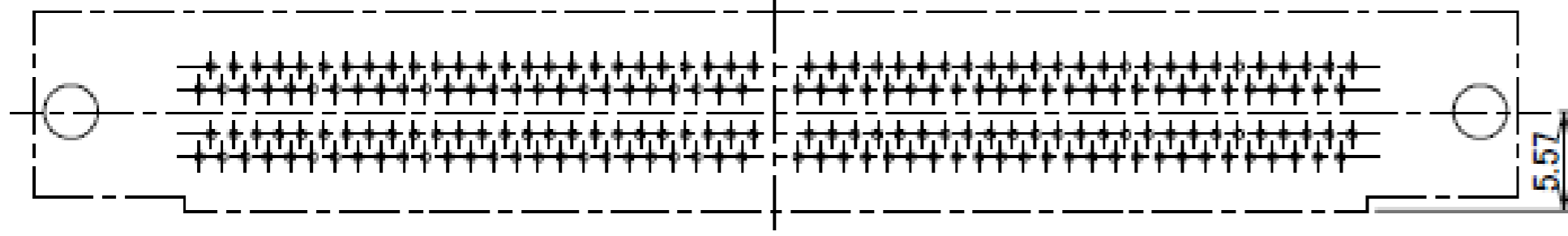


6	CONTACT GUIDE	PPS	BLACK UL94V-0
5	LOCATOR PLATE	PA	BLACK UL94V-0
4	GUIDE PIN	STEEL	Ni PLATING
3	RECE INSULATOR	PPS	BLACK UL94V-0
2	RECE CONTACT	COPPER ALLOY	CONTACT PART Au FLASH OVER Pd-Ni SOLDER TAIL Au FLASH
1	RECE SHELL	Zn ALLOY	Ni OVER Cu PLATING
NO.	DISCRIPTION	MATERIAL	FINISH , REMARKS

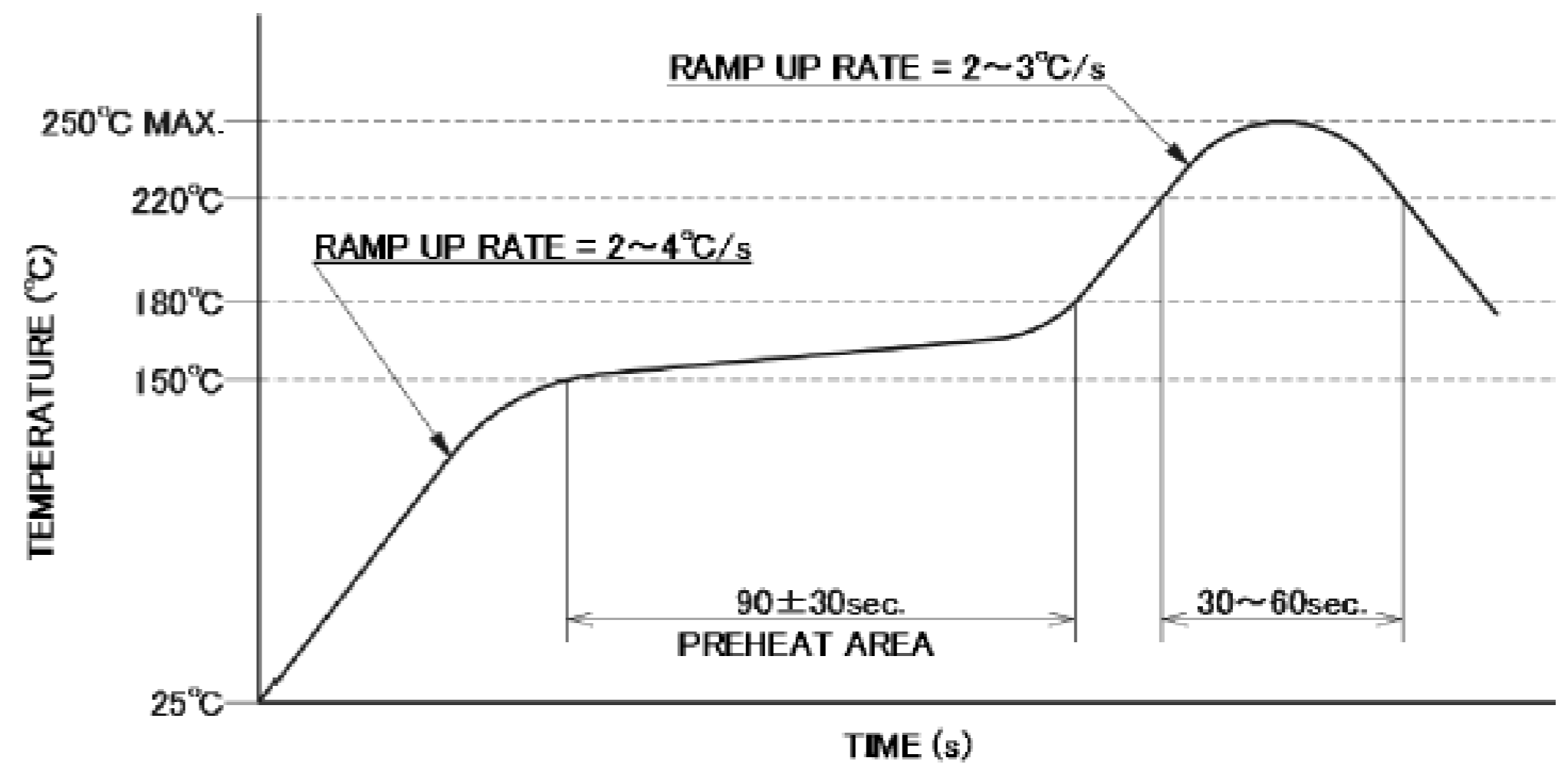
Rev.15



Receptacle Assembly



CONNECTOR ON RECOMMENDED FOOTPRINT PATTERN



REFLOW TEMPERATURE PROFILE
SENJU METAL INDUSTRY CO., LTD. : M705-SHE(Sn96.5 Ag3.0 Cu0.5)

Rev.15

ITEMS	SPECIFICATION
RATING VOLTAGE	250V AC (PER CONTACT PIN)
RATING AMPERAGE (FOR CONTACT)	0.5A AC/DC (PER CONTACT PIN)
OPERATING TEMPERATURE	208~358K(-65°C~+85°C)
OPERATING HUMIDITY	85% MAX.(NON-CONDENSING)
CONTACT RESISTANCE (FOR CONTACT)	INITIAL : 70mohm MAX. / AFTER TEST : \leq 125mohm MAX.
INSULATION RESISTANCE	INITIAL : 10,000Mohm MIN. / AFTER TEST : 1,000Mohm MIN.
DIELECTRIC WITHSTANDING VOLTAGE	AC500V 1min
DURABILITY	5,000 CYCLES
MATING FORCE (INITIAL)	0.9N/pos. MAX.
UNMATING FORCE (AFTER TEST)	0.059N/pos. MIN.
COPLANARITY	-
PRODUCT SPECIFICATION	PRS-1011
TEST REPORT	TR-9020
PACKING STANDARD	300-030
INSTRUCTION MANUAL	-
APPEARANCE CRITERIA No.	QLS-A***

Rev.15

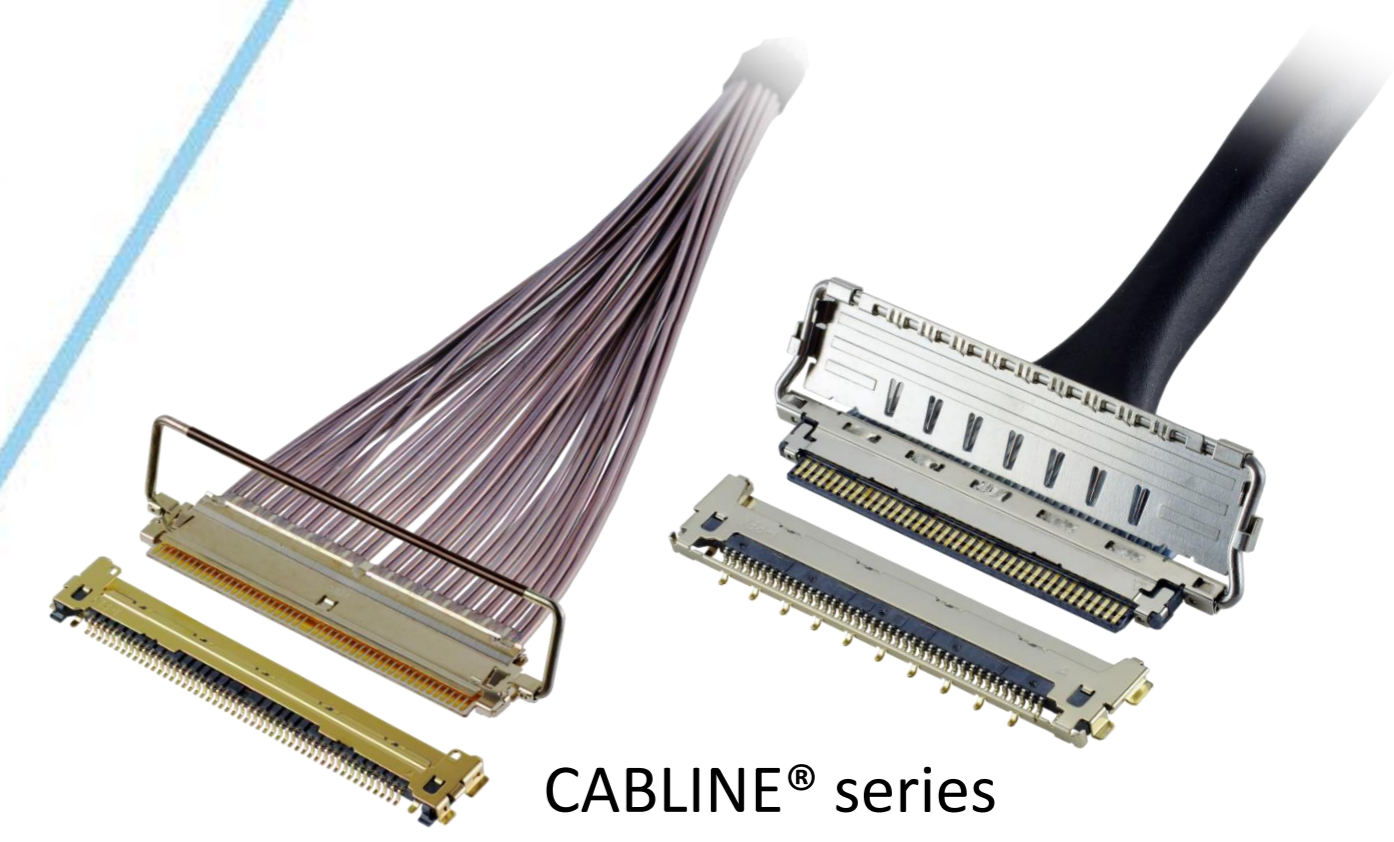
Custom Products Available

RF Connector

MHF® series



Micro-coaxial/Twinax/ Discrete Wire Connector



CABLINE® series

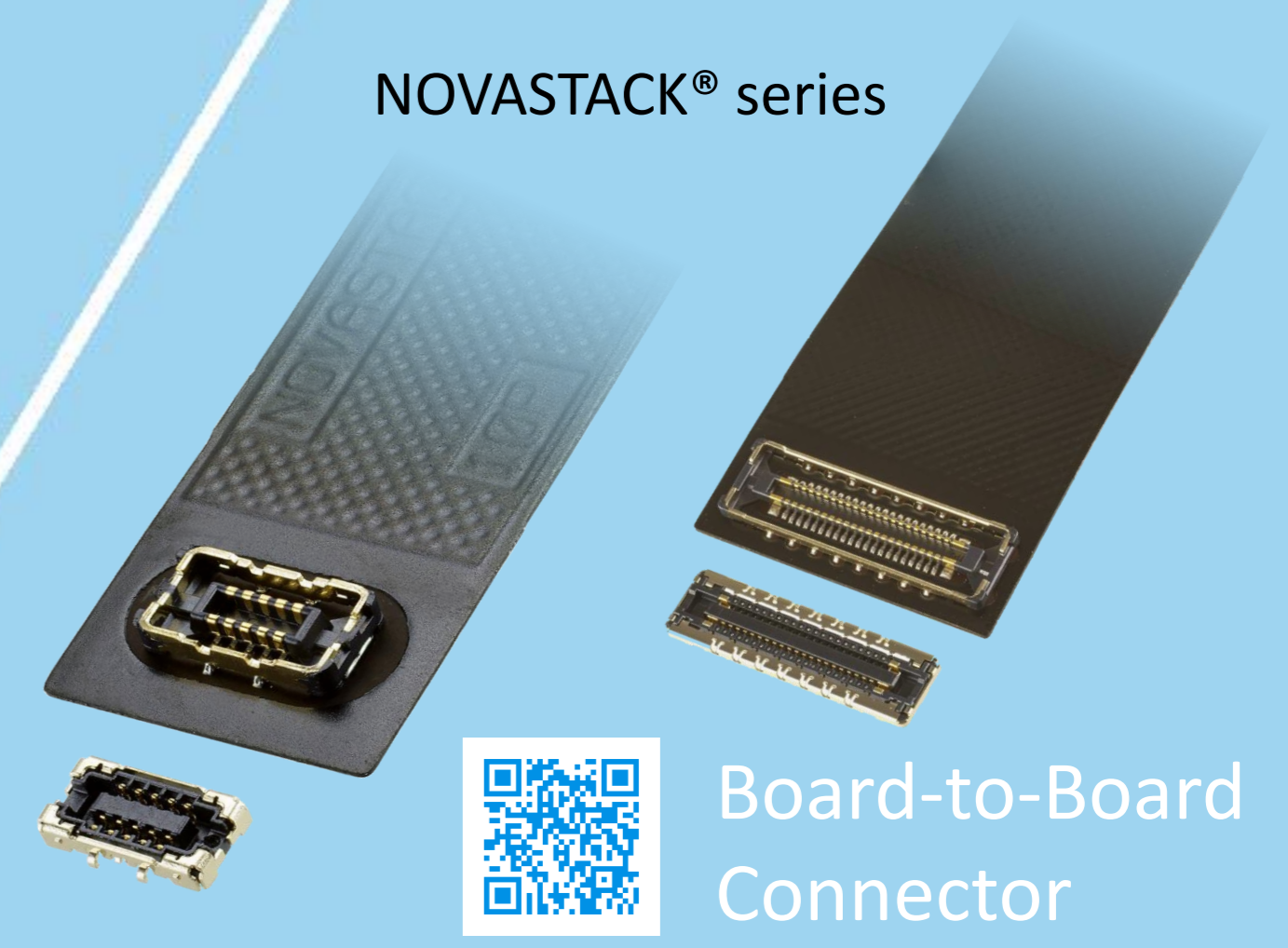


Optical Module

LIGHTPASS® series



NOVASTACK® series



Board-to-Board Connector



Power Connector/ Terminal

AP series

ISH® series

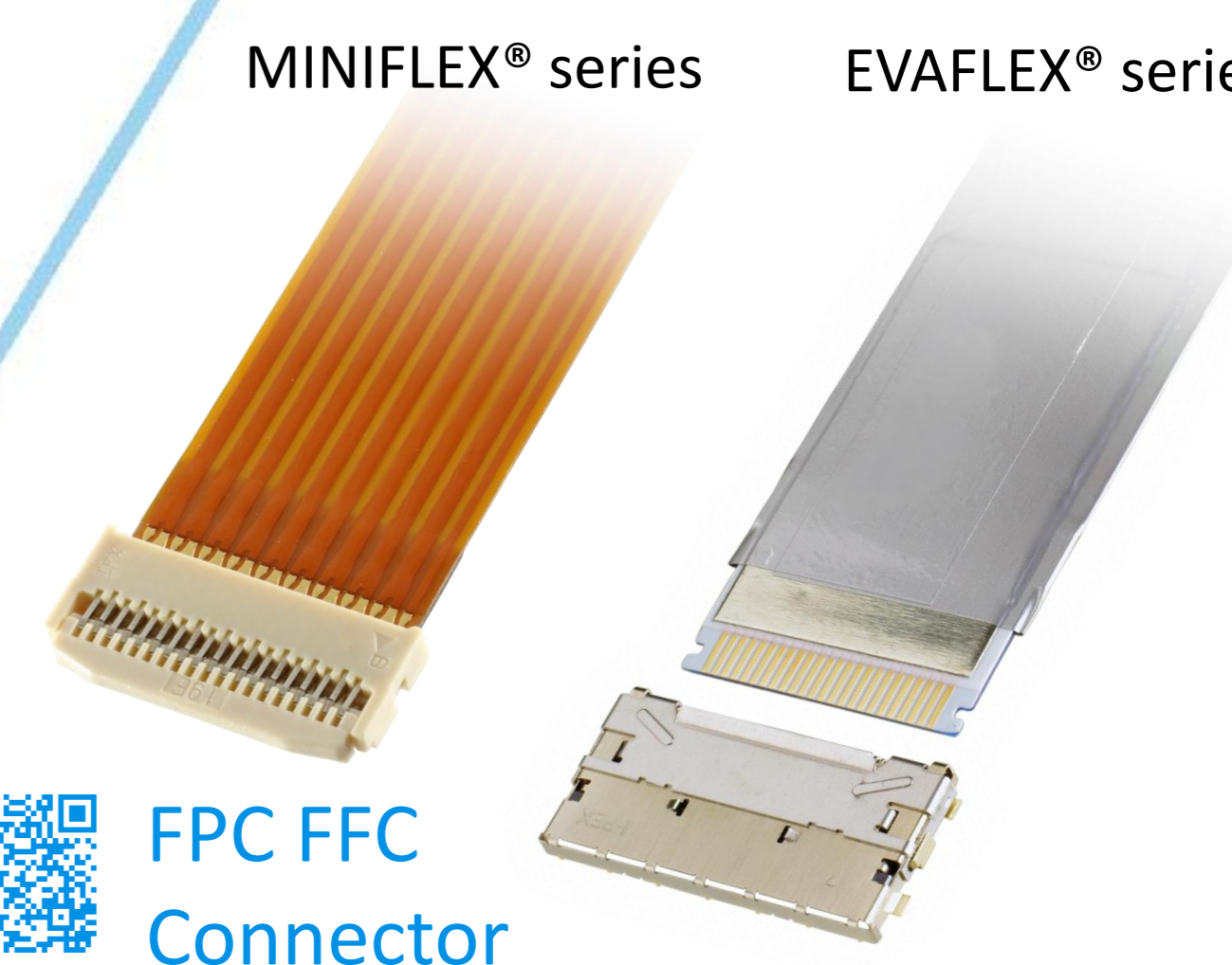


MINIFLEX® series

EVAFLEX® series



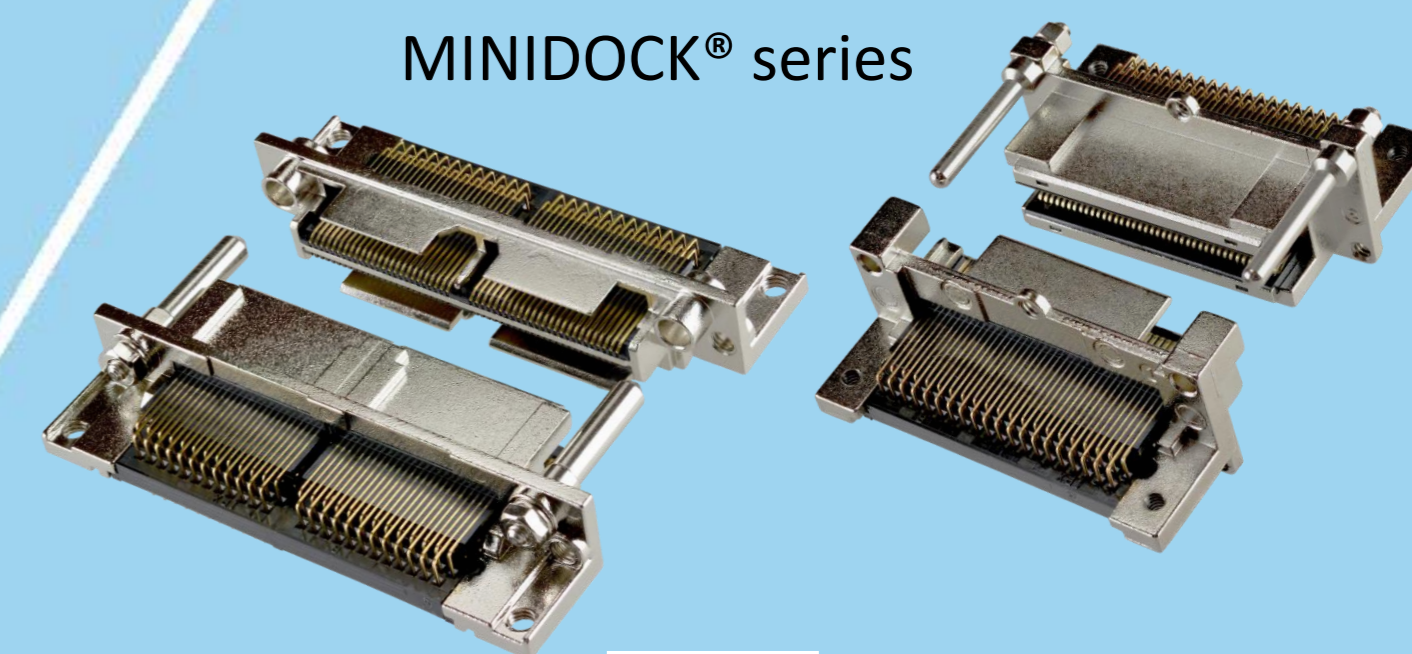
FPC FFC Connector



Inquiry



MINIDOCK® series



I/O Connector

I-PEX, MHF, CABLINE, LIGHTPASS, NOVASTACK, ISH, IARPB, MINIFLEX, EVAFLEX, MINIDOCKS and ZenShield are registered trademarks of I-PEX Inc. Please note that the contents in the catalog might be changed without prior notification. I-PEX Inc. assumes no responsibility for any inaccuracies or obligation to update information on these documents. Please be sure to read and understand the latest "Precautions for Use" and "Instruction Manual" before you use our products. We shall not be responsible for any defects, damages or troubles in case you use our products without following the precautions for use. Please feel free to contact our sales representatives when you use our products for any applications that require very high reliability and safety, or that relate to human life (ex. nuclear power control, aerospace, transportation, medical equipment, safety equipment etc.).

Contact your sales representative or more detailed information.

www.i-pex.com



I-PEX

© I-PEX Inc. 2024
All rights reserved