

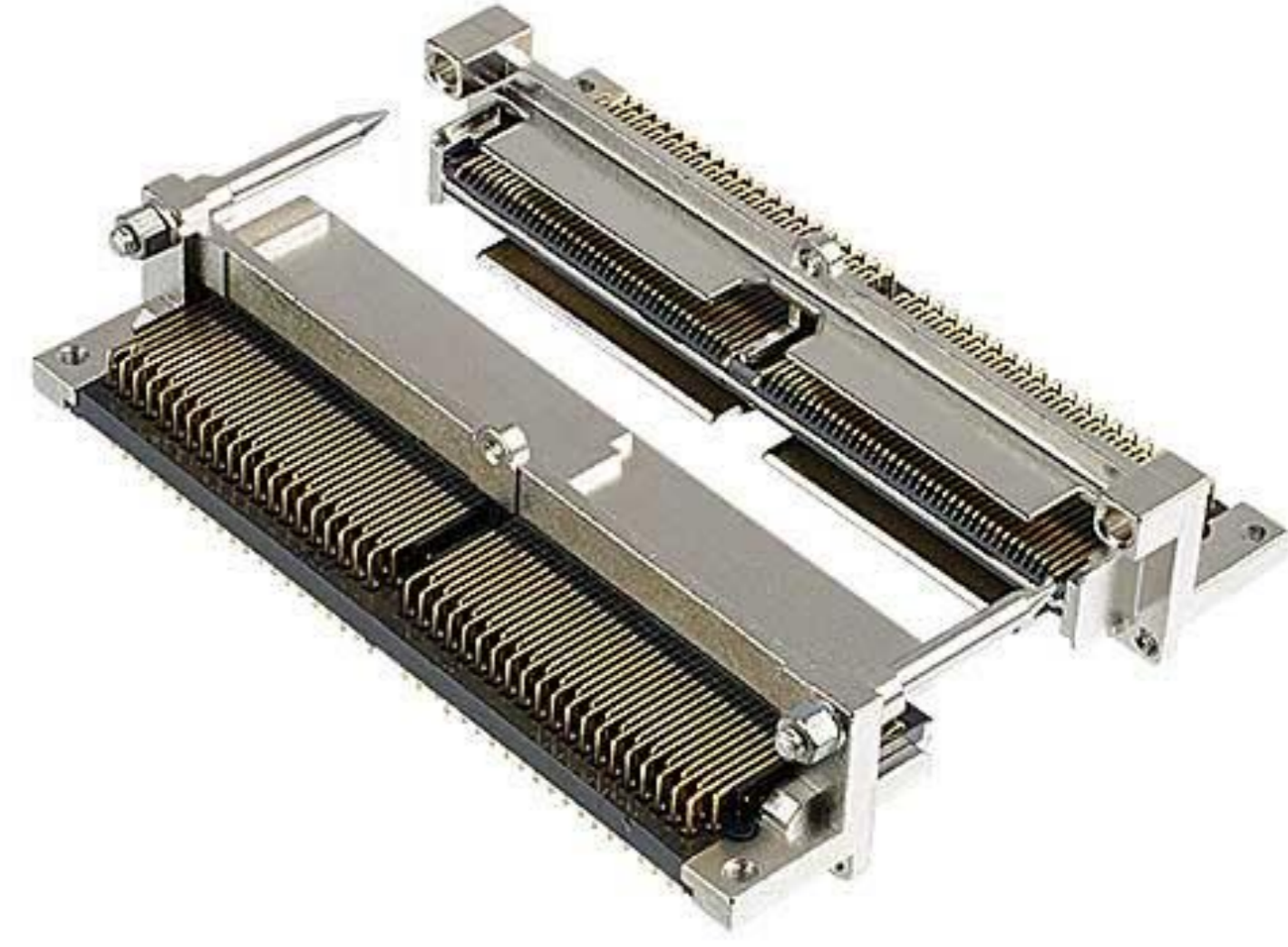
MINIDOCK™ SLIM

견고한 다핀수의 도킹식 I/O 커넥터

Product Specifications:

Board Pitch (mm)	0.635	
Size (mm)	Height	9.9 ~ 16.9 mm (Plug) 11.13 ~ 22.53 mm (Rece)
	Width	Formula: 36.0 ~ 96.10 mm (Plug / Rece)
	Depth	9.9 ~ 17.8 mm (Plug) 11.13 ~ 22.53 mm (Rece)
Rating	Amperage	0.5 A AC/DC (Per Contact Pin)
	Voltage	250 V AC/DC (Per Contact Pin)

*기재가 되어있지 않은 핀 수의 대응 여부에 대해서는 문의해 부탁드립니다.



▶ 다양한 어플리케이션에 대응하는 견고한 커넥터(휴대용 기기나 의료 기기 등)

Slim Type Plug :

Part Number	Pin Count	Mating Type	Contact Type	Appearance
30029	80	수평	2 Sequence	
30046	160		2 Sequence	

Slim Type Receptacle :

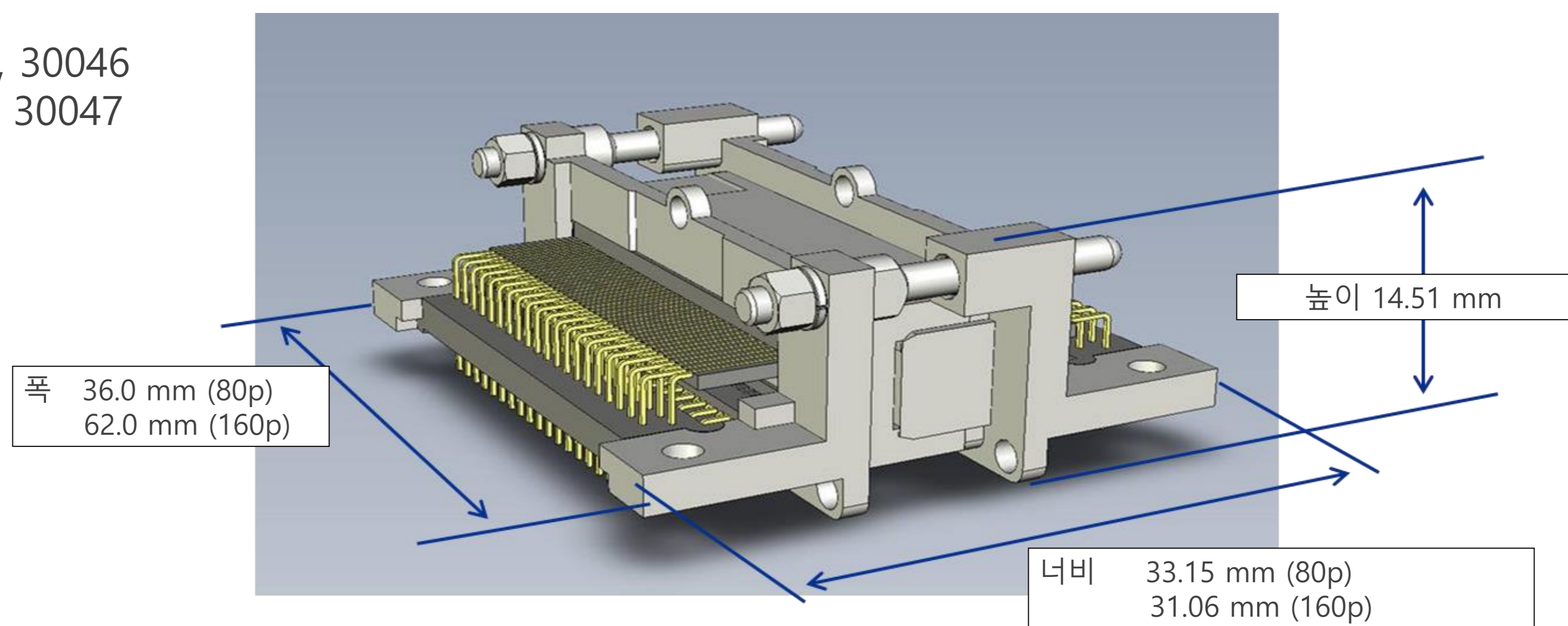
Part Number	Pin Count	Mating Type	Appearance
30030	80	수평	
30047	160		
30056	160	수직	

▶ 삽발 보증 회수 : 5000 사이클

수평타입PLUG – 수평타입RECEPTACLE 결합

형번

- Plug 30029, 30046
- Receptacle 30030, 30047

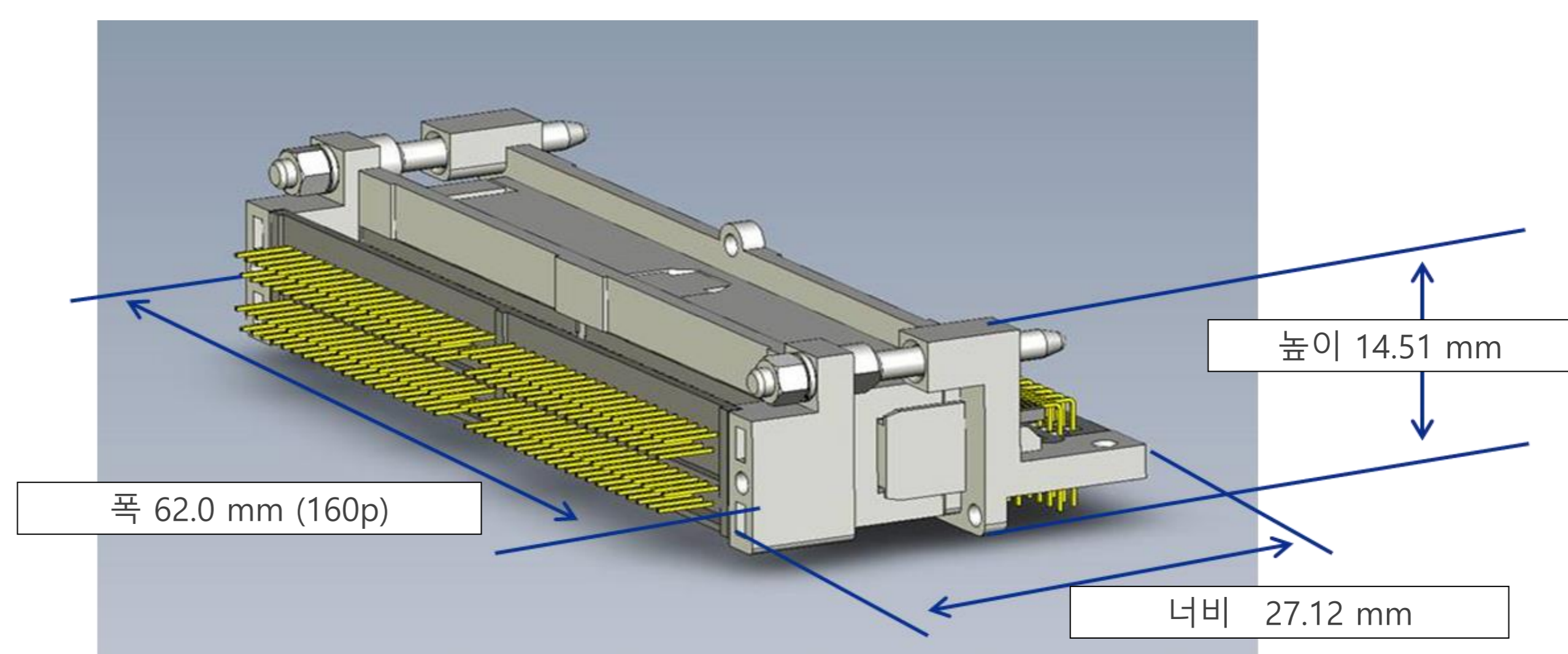


▶ 풍부한 결합 옵션과 보유 핀수

수평타입PLUG – 수직 RECEPTACLE 결합

형번

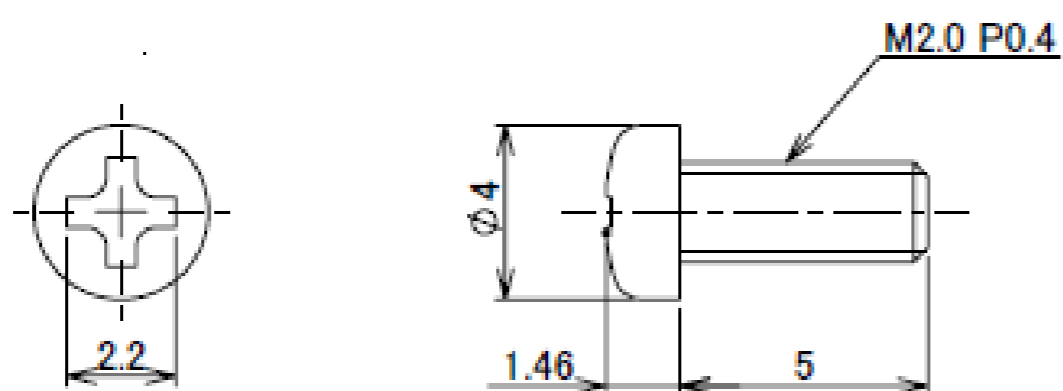
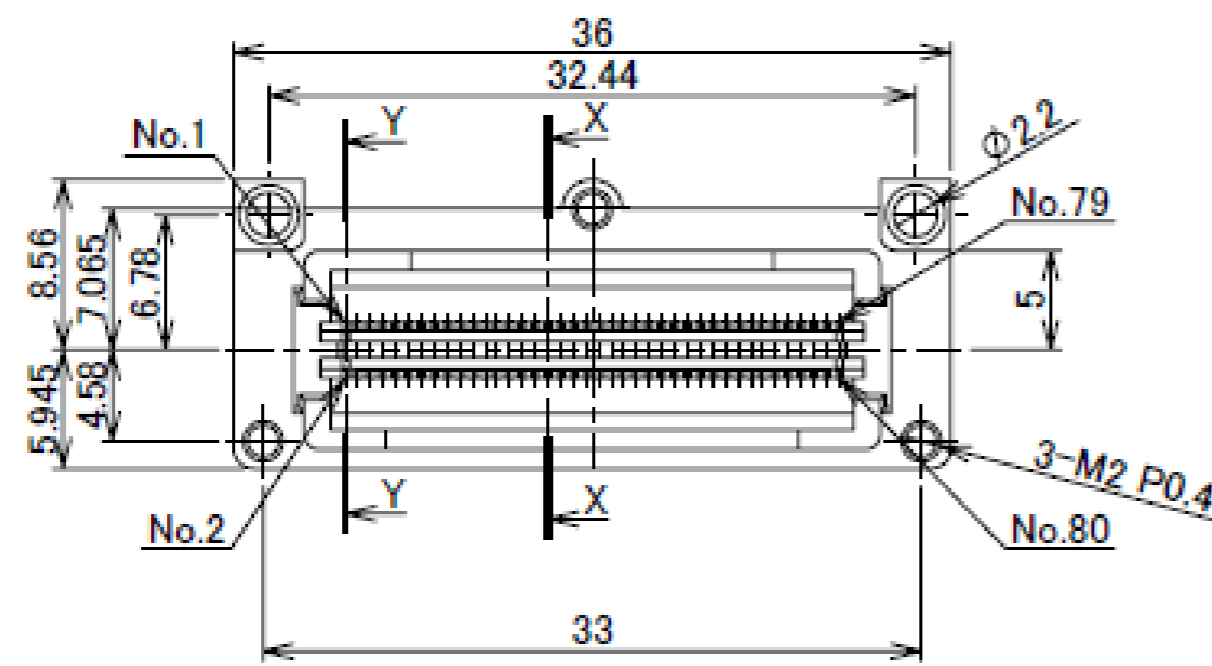
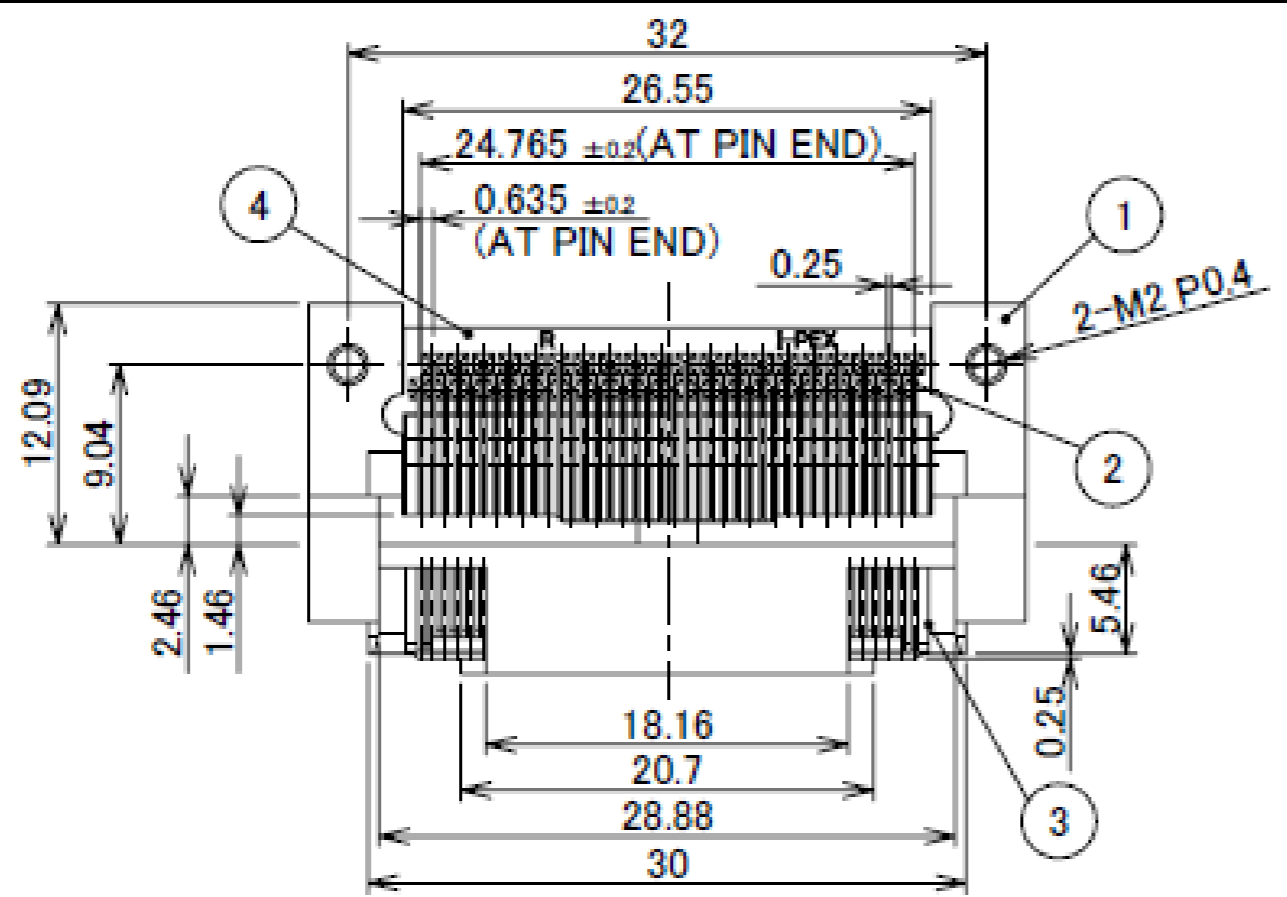
- Plug 30046
- Receptacle 30056



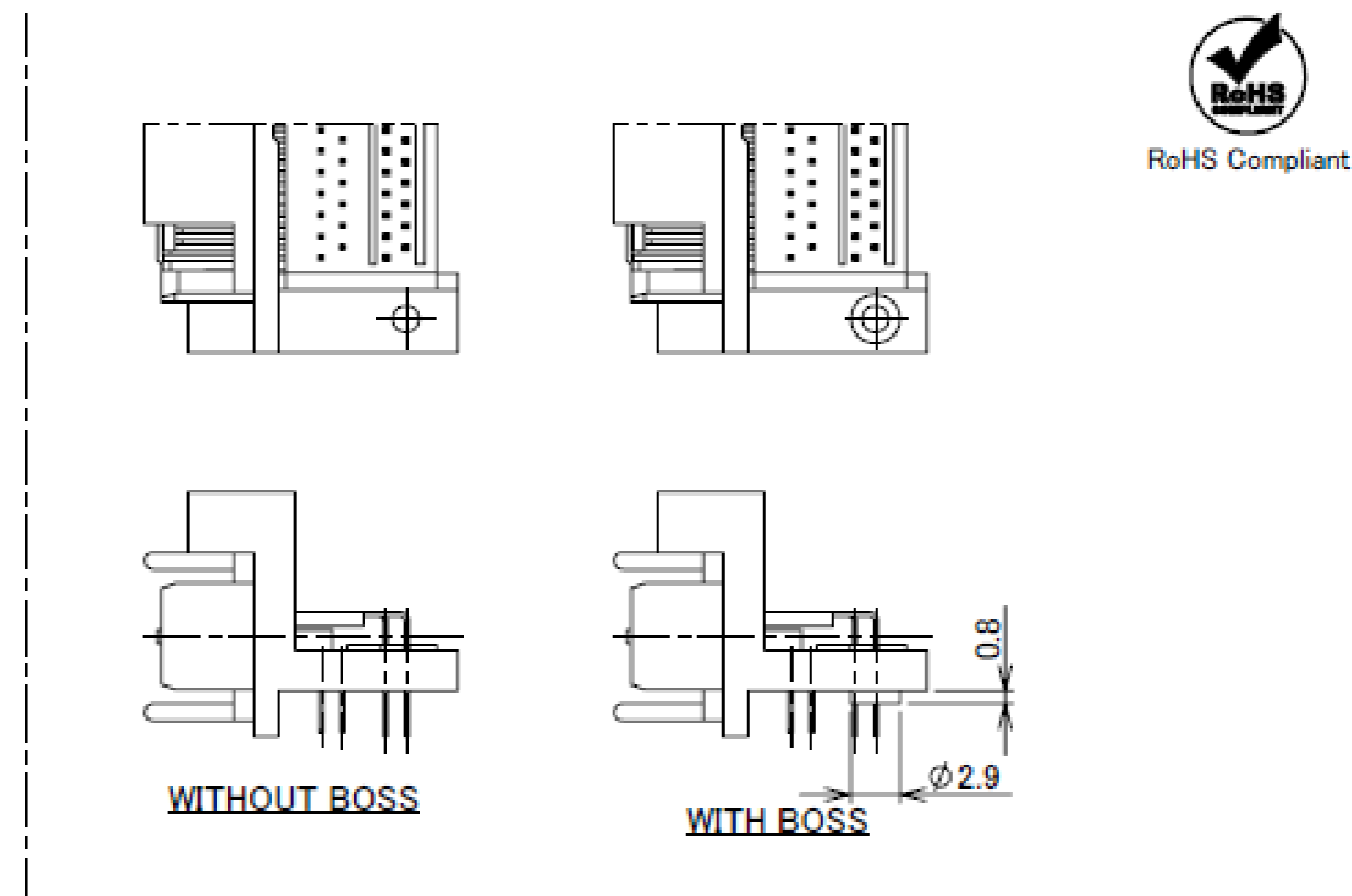
Component Parts Details

Plug Assembly

Recommended P/N		30029-080T-01F		BOSS	NOTES
PART NO.	CIRCUIT No./CONTACT LENGTH				
	LONG PIN	MIDDLE PIN			
30029-080T-F	1, 2, 79, 80	OTHERS	WITHOUT BOSS	WITH SCREW	
30029-080T-01F			WITHOUT SCREW		
30029-080T-02F			WITH SCREW		
30029-080T-03F			WITHOUT SCREW		



SCREW 90042-001
(S = 5/1)



RoHS Compliant

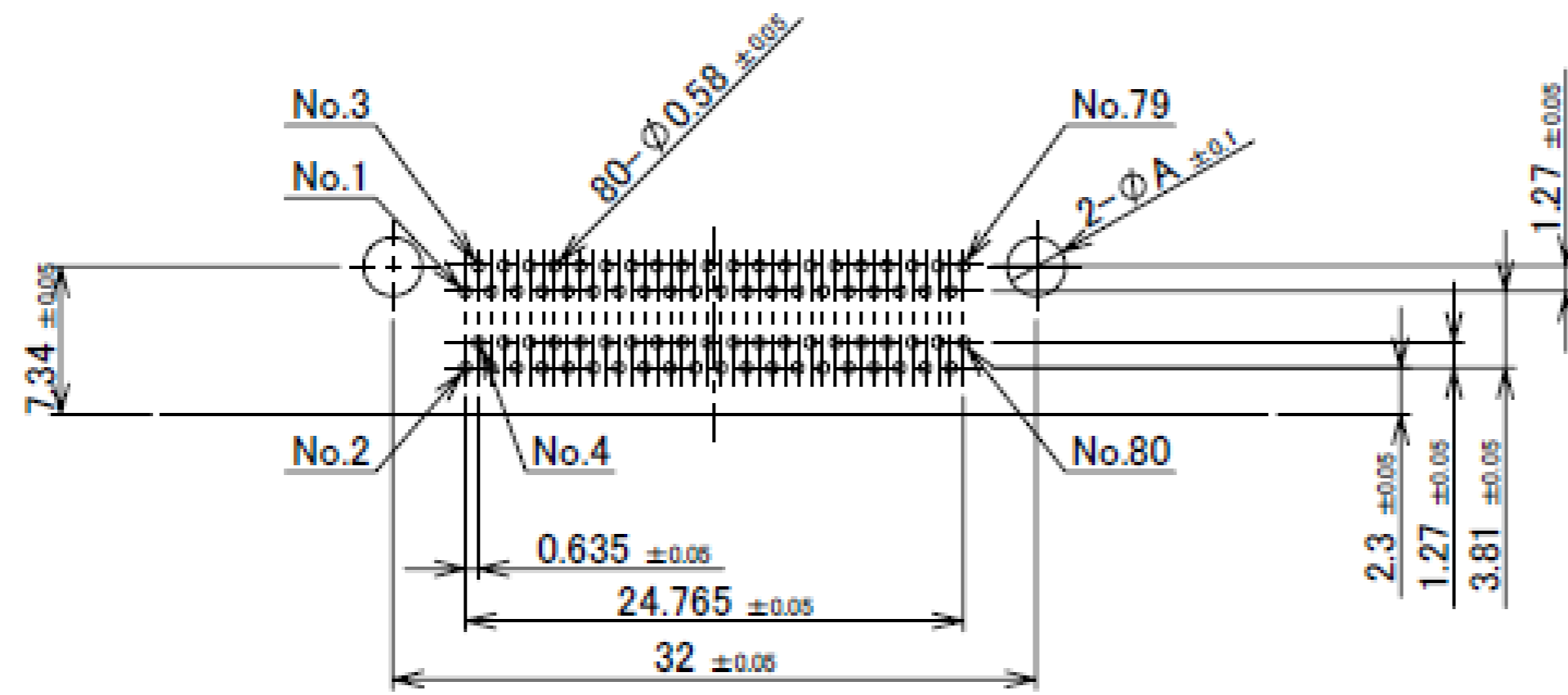
NO.	DISCRIPTION	MATERIAL	FINISH , REMARKS
4	LOCATOR PLATE	PA	BLACK UL94V-0
3	PLUG INSULATOR	PPS	BLACK UL94V-0
2	PLUG CONTACT	COPPER ALLOY	CONTACT PART Au FLASH OVER Pd/Ni SOLDER TAIL Au FLASH
1	PLUG SHELL	Zn ALLOY	Ni PLATING

NOTE
1. CONNECTOR TO BE MATED: 30030

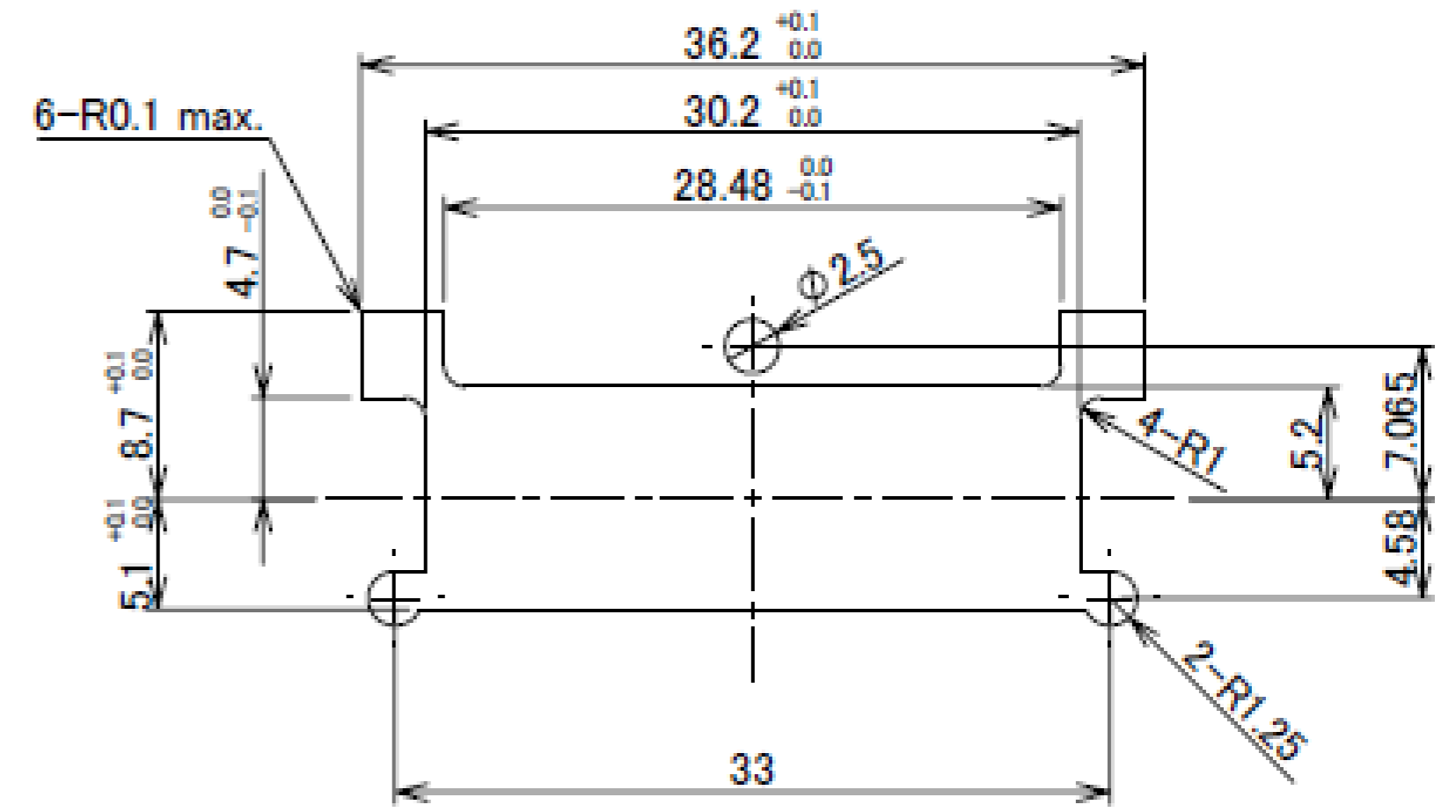
Rev.15

Plug Assembly

PART NO.	A
30029-080T-F	2.3
30029-080T-01F	
30029-080T-02F	3.1
30029-080T-03F	

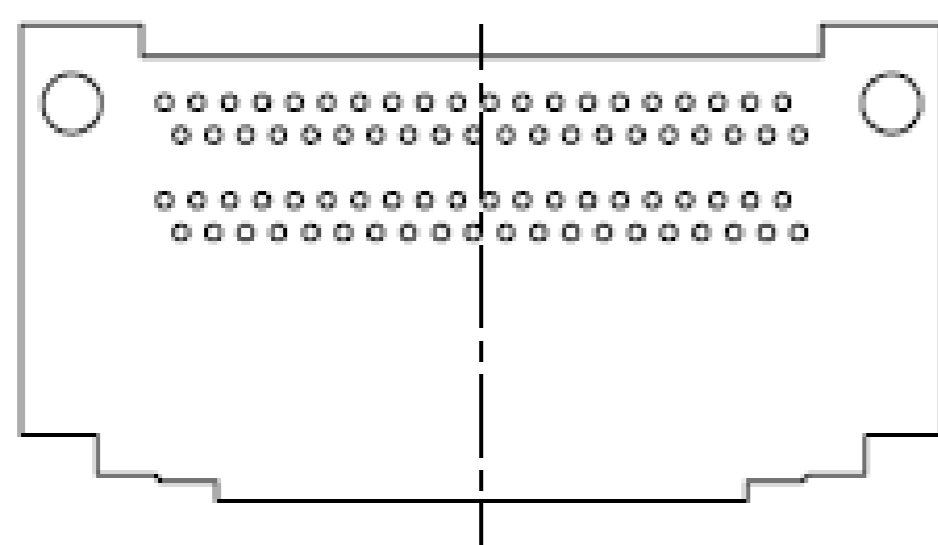


RECOMMENDED FOOTPRINT PATTERN t=1.6

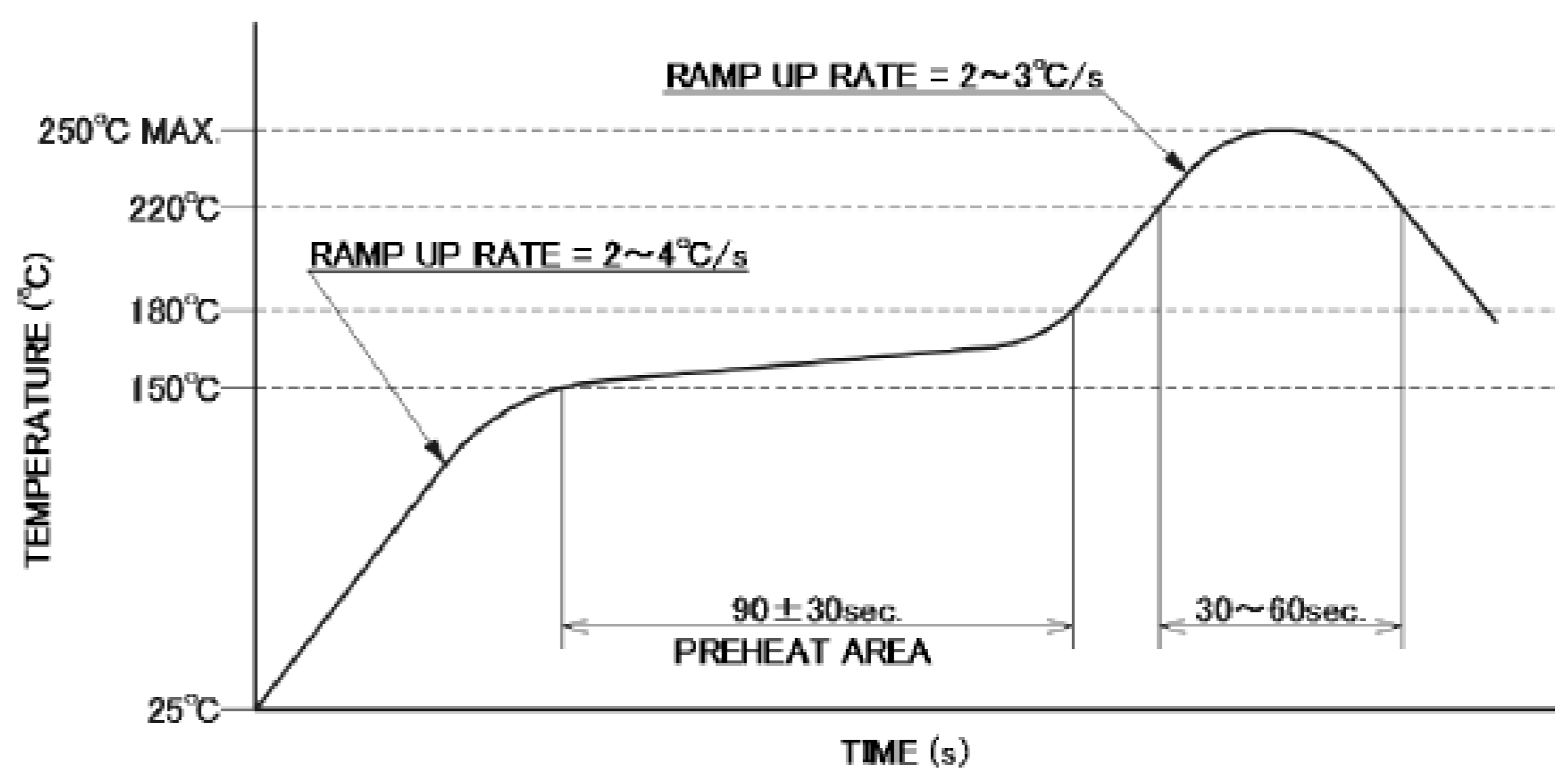


RECOMMENDED PANEL

Rev.15



CONNECTOR ON RECOMMENDED FOOTPRINT PATTERN



REFLOW TEMPERATURE PROFILE
SENJU METAL INDUSTRY CO., LTD. : M705-SHF(Sn96.5 Ag3.0 Cu0.5)

Rev.15

Plug Assembly

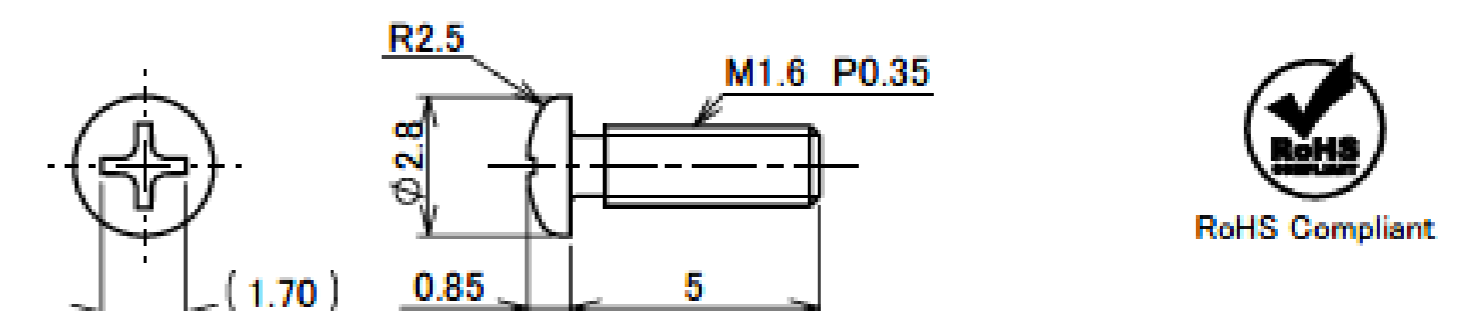
ITEMS	SPECIFICATION
RATING VOLTAGE	250V AC (PER CONTACT PIN)
RATING AMPERAGE (FOR CONTACT)	0.5A AC/DC (PER CONTACT PIN)
OPERATING TEMPERATURE	208~358K(-65°C~+85°C)
OPERATING HUMIDITY	85% MAX.(NON-CONDENSING)
CONTACT RESISTANCE (FOR CONTACT)	INITIAL : 70mohm MAX. / AFTER TEST : \leq 25mohm MAX.
INSULATION RESISTANCE	INITIAL : 10,000Mohm MIN. / AFTER TEST : 1,000Mohm MIN.
DIELECTRIC WITHSTANDING VOLTAGE	AC500V 1min
DURABILITY	5,000 CYCLES
MATING FORCE (INITIAL)	0.9N/pos. MAX.
UNMATING FORCE (AFTER TEST)	0.059N/pos. MIN.
COPLANARITY	-
PRODUCT SPECIFICATION	PRS-1011
TEST REPORT	TR-9020
PACKING STANDARD	300-141
INSTRUCTION MANUAL	-
APPEARANCE CRITERIA No.	QLS-A***

Rev.15

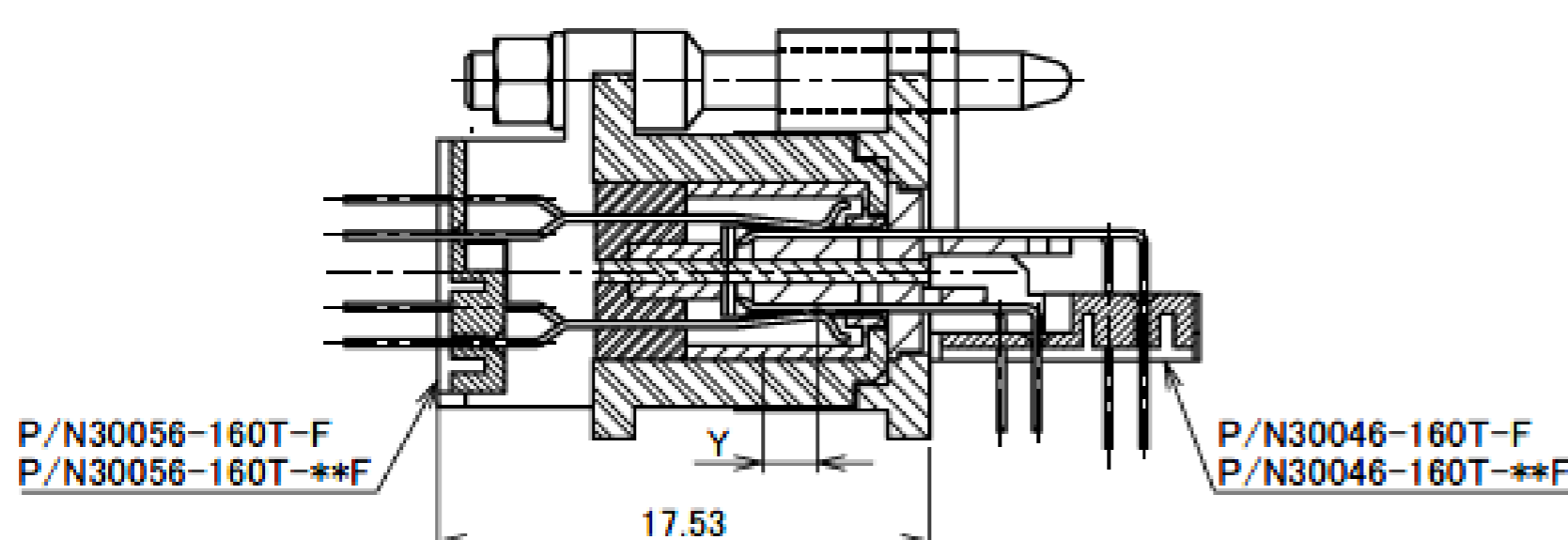
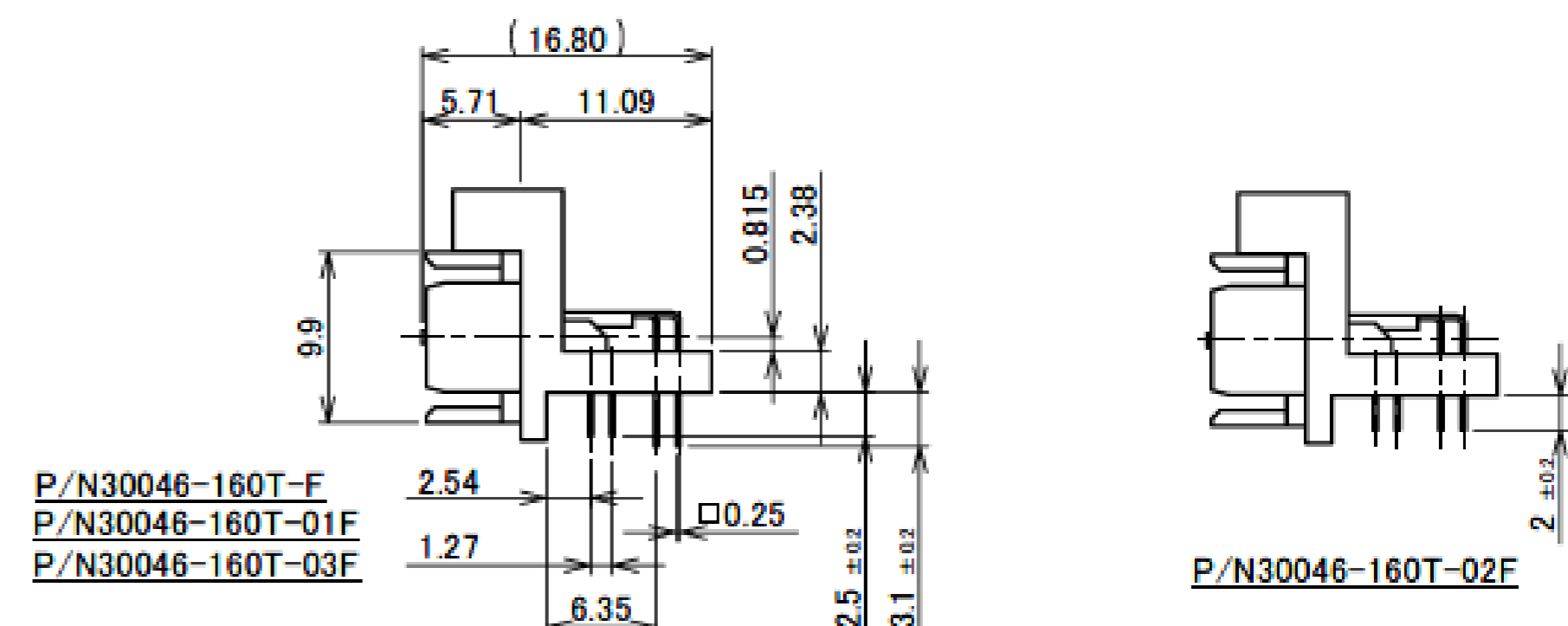
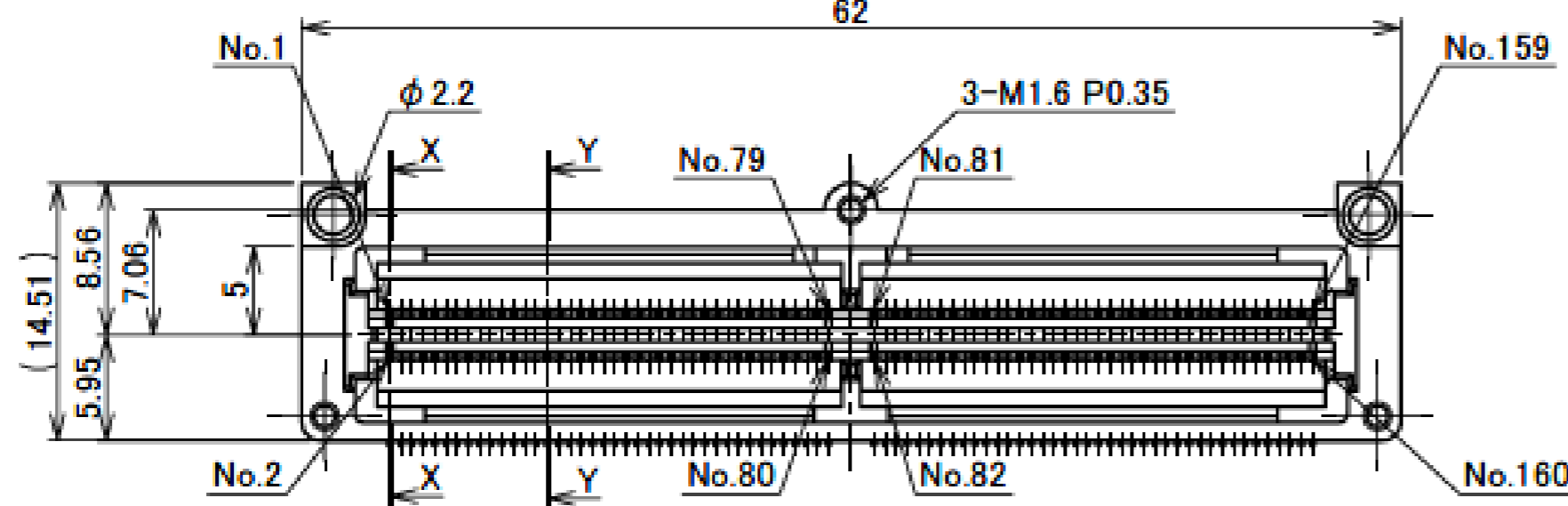
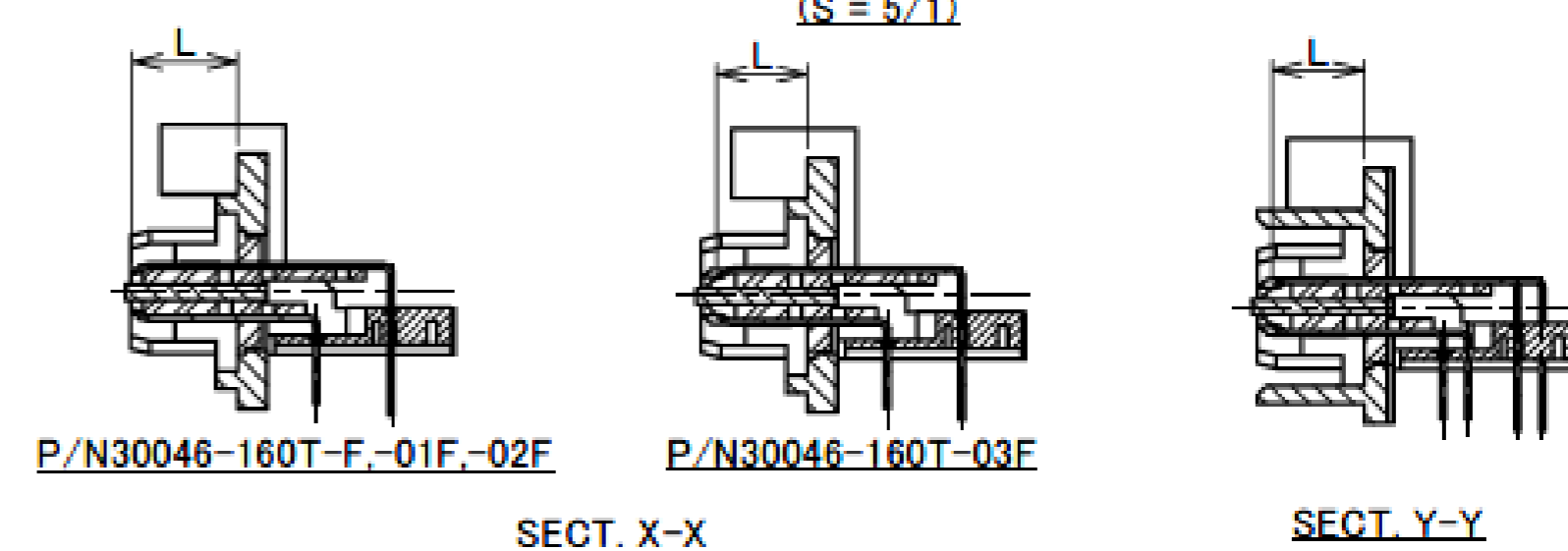
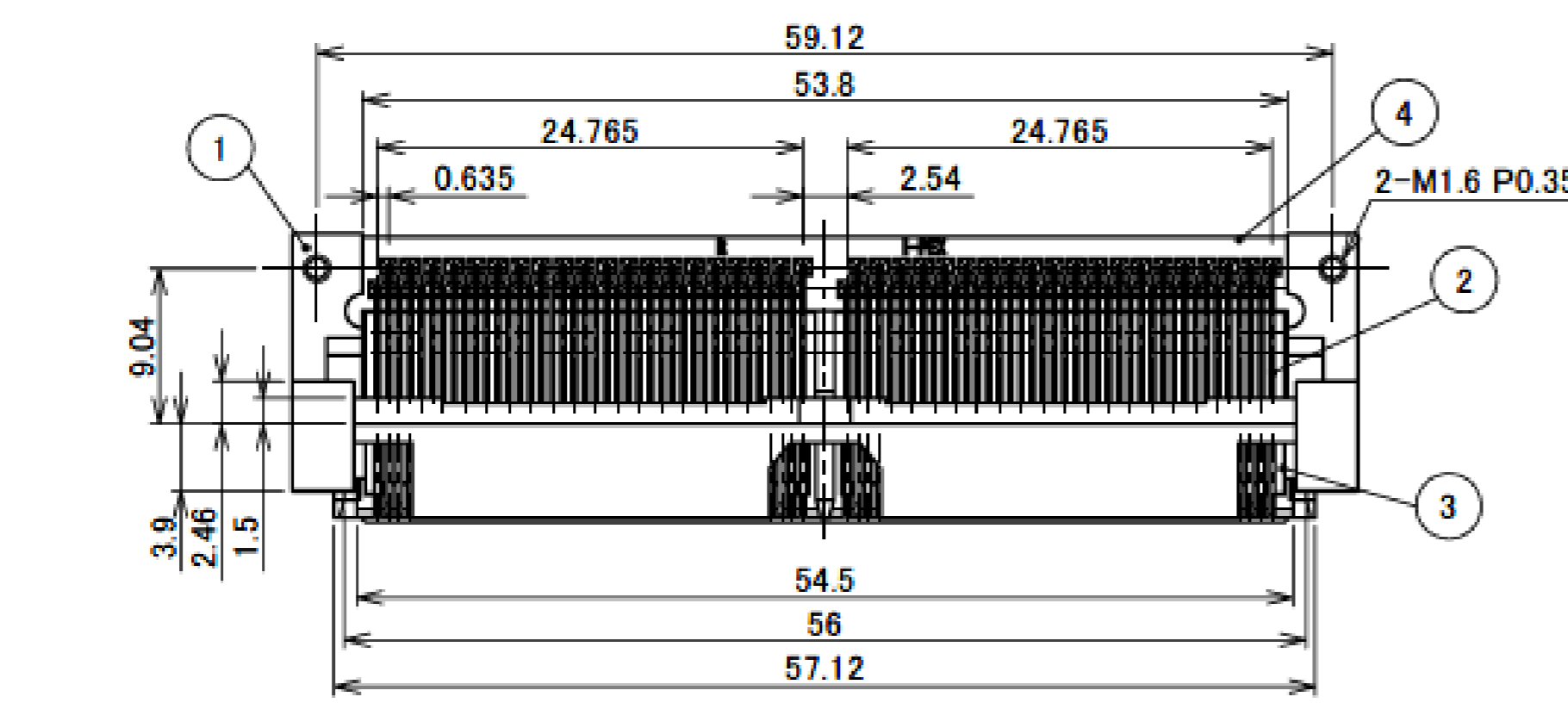
Recommended P/N **30046-160T-F**

PART NO.	No. OF POS.	Y (MATING TRAVEL OF C/T)	CIRCUIT No. / L=CONTACT LENGTH		NOTES
			L=5.36	L=4.66	
30046-160T-F	160P	1.4 , 2.1	No.1, 2, 79, 80, 81, 82, 159, 160	OTHERS	WITH SCREW
30046-160T-01F					NO SCREW
◆ 30046-160T-02F					-
30046-160T-03F					ALL

◆.MARK MEANS NOT AVAILABLE.



SCREW 90061-001
(S = 5/1)



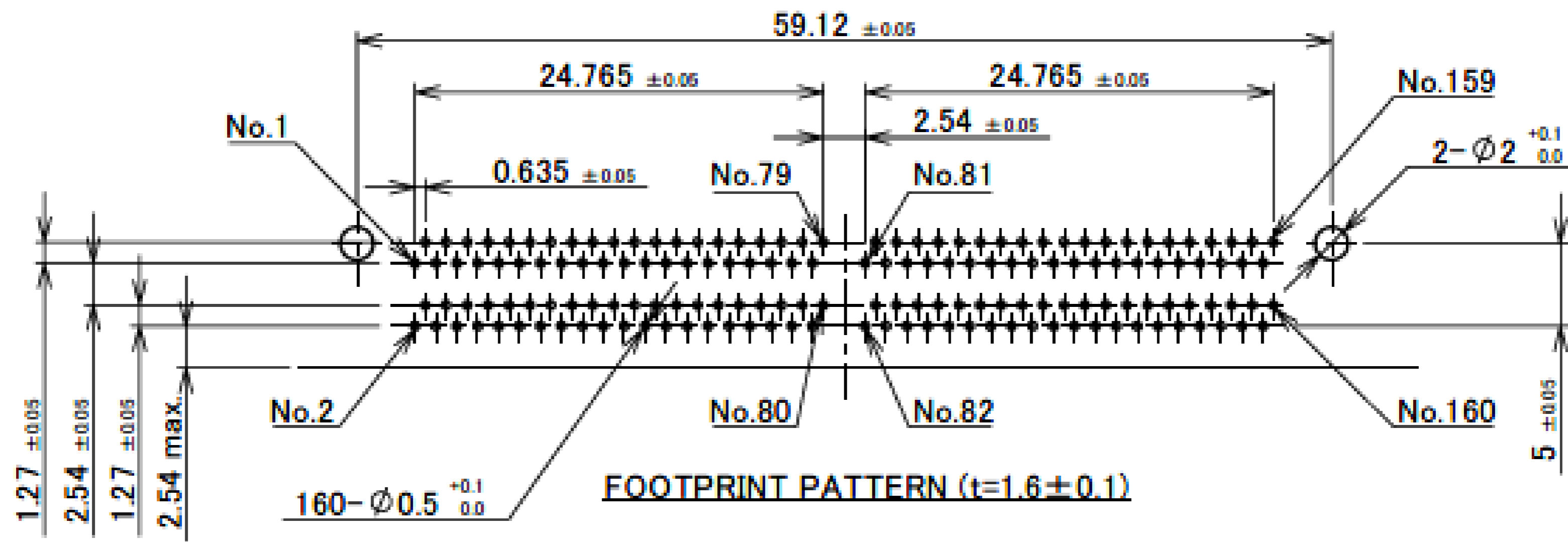
NOTES

- CONNECTOR TO BE MATED : 30047 , 30056
- ALLOWANCE DIMENSION OF GUIDE PIN : 0.8 mm

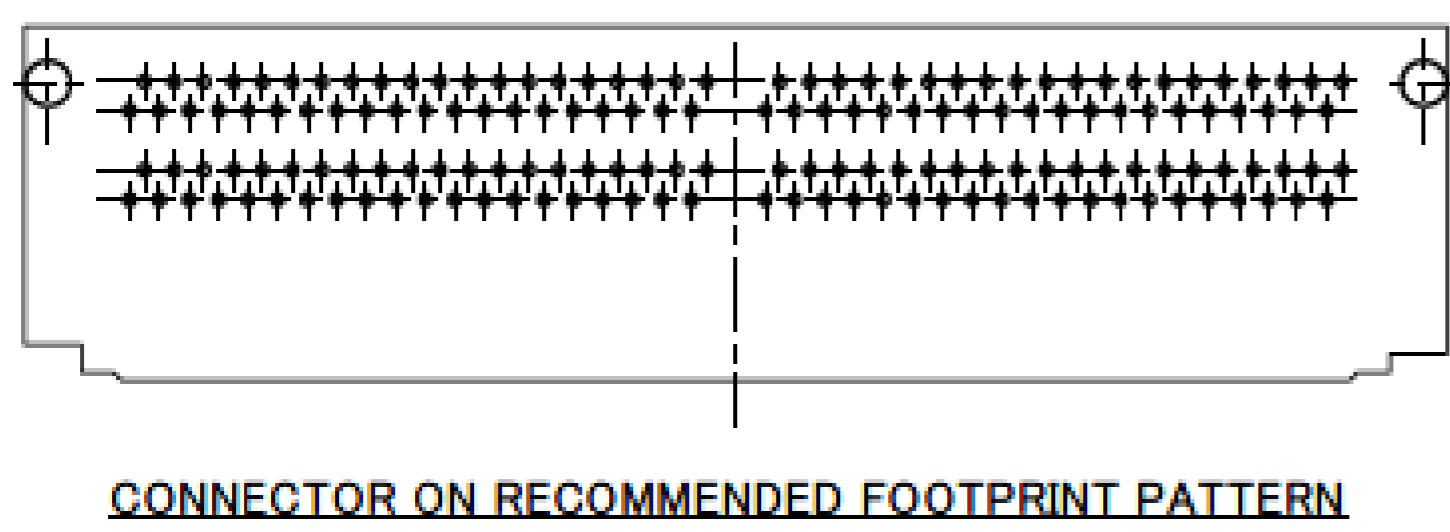
NO.	DESCRIPTION	MATERIAL	FINISH , REMARKS
4	LOCATOR PLATE	PA	BLACK UL94V-0
3	PLUG INSULATOR	PPS	BLACK UL94V-0
2	PLUG CONTACT	COPPER ALLOY	Au PLATING
1	PLUG SHELL	Zn ALLOY	Ni PLATING

Rev.16

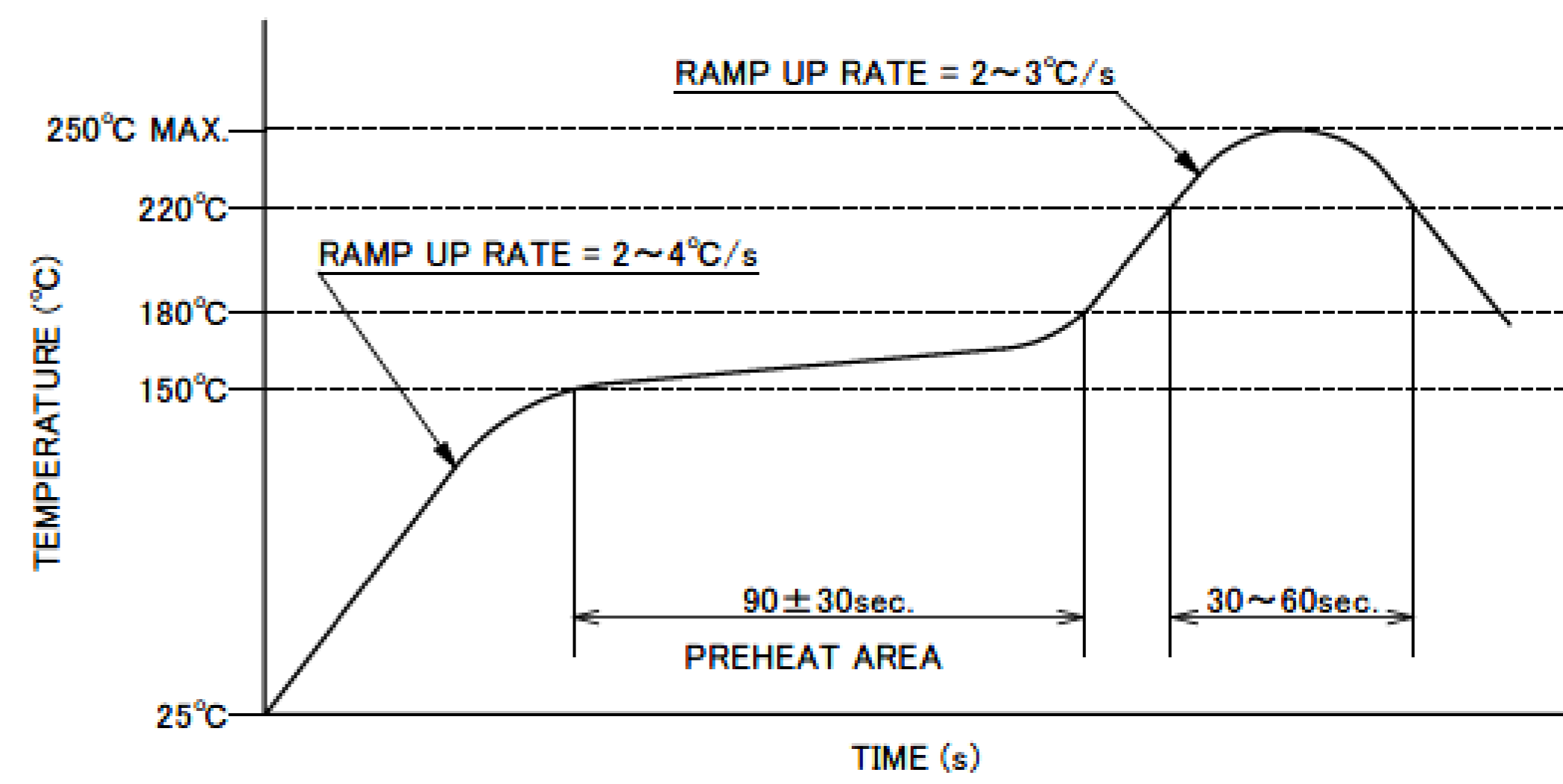
Plug Assembly



Rev.16



CONNECTOR ON RECOMMENDED FOOTPRINT PATTERN

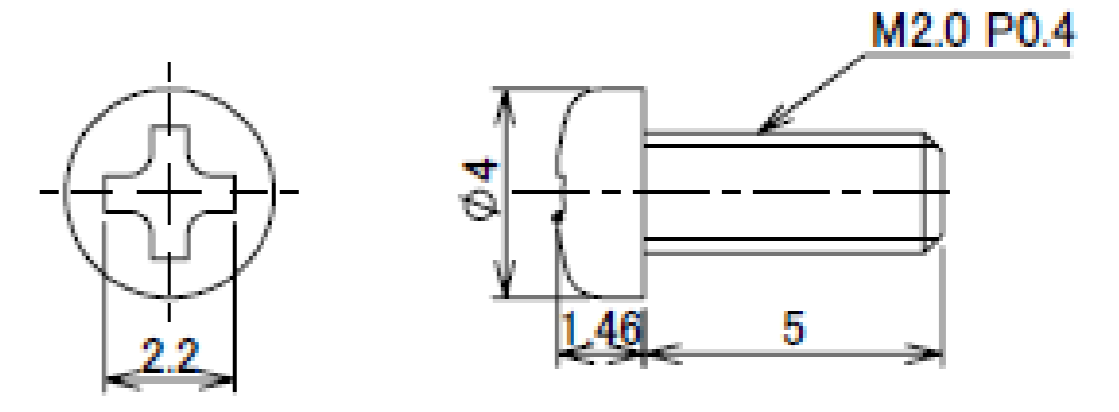


REFLOW TEMPERATURE PROFILE
SENJU METAL INDUSTRY CO., LTD. : M705-SHF(Sn96.5 Ag3.0 Cu0.5)

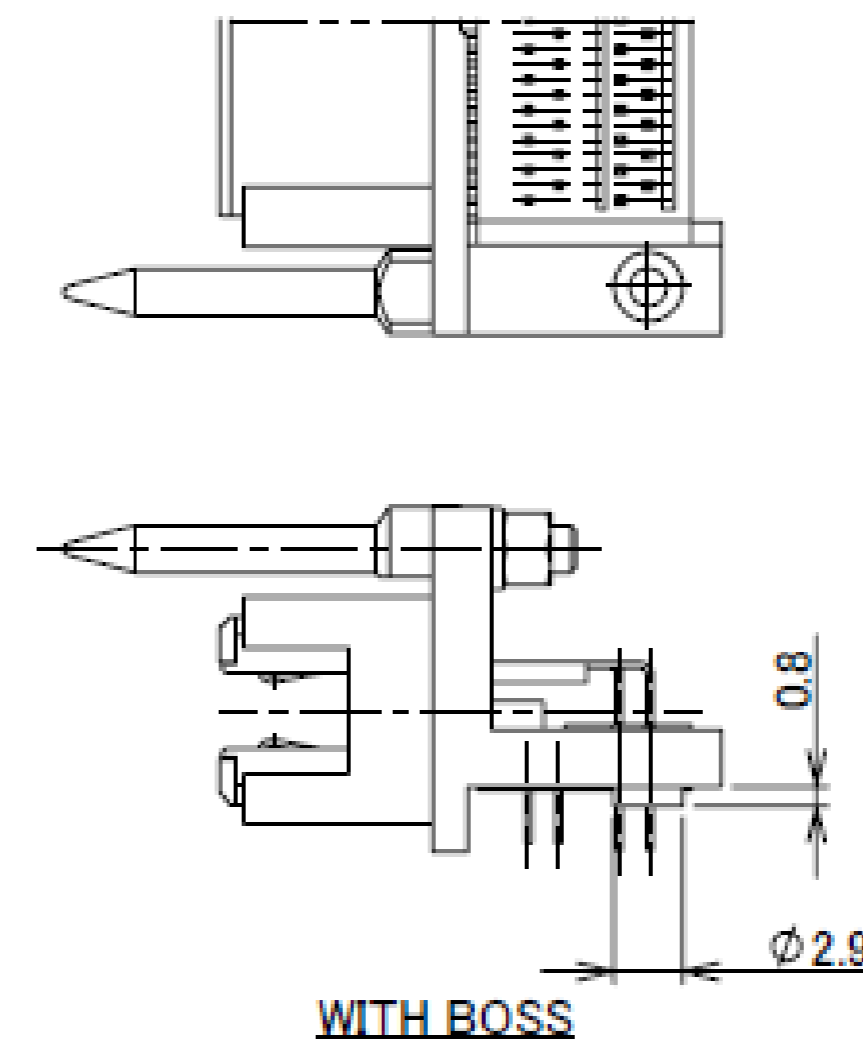
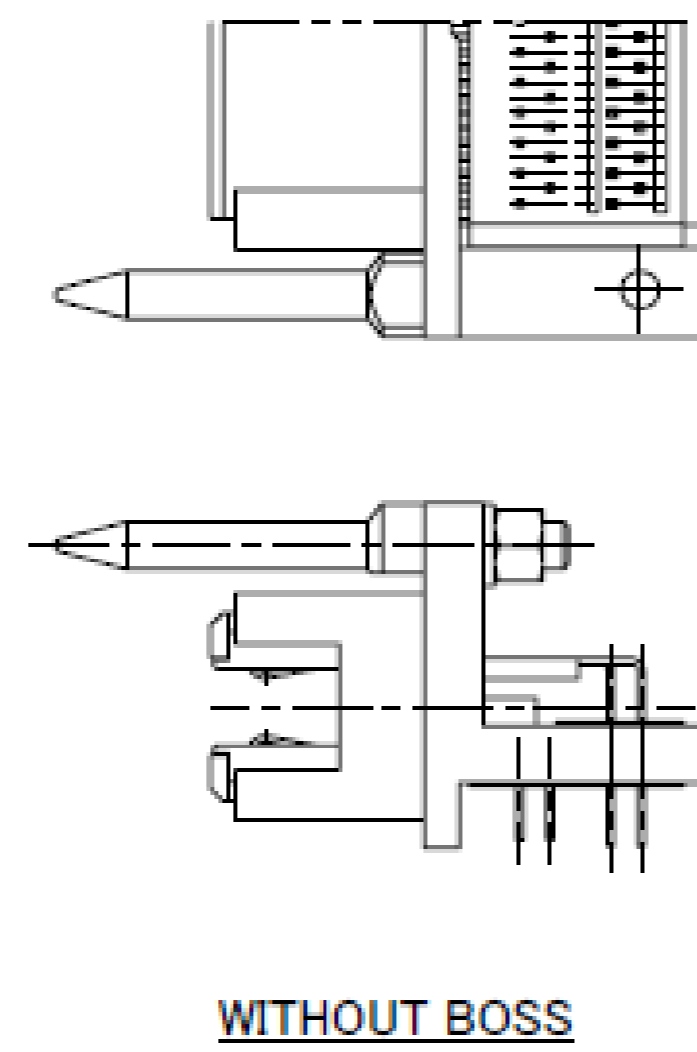
Rev.16

Receptacle Assembly

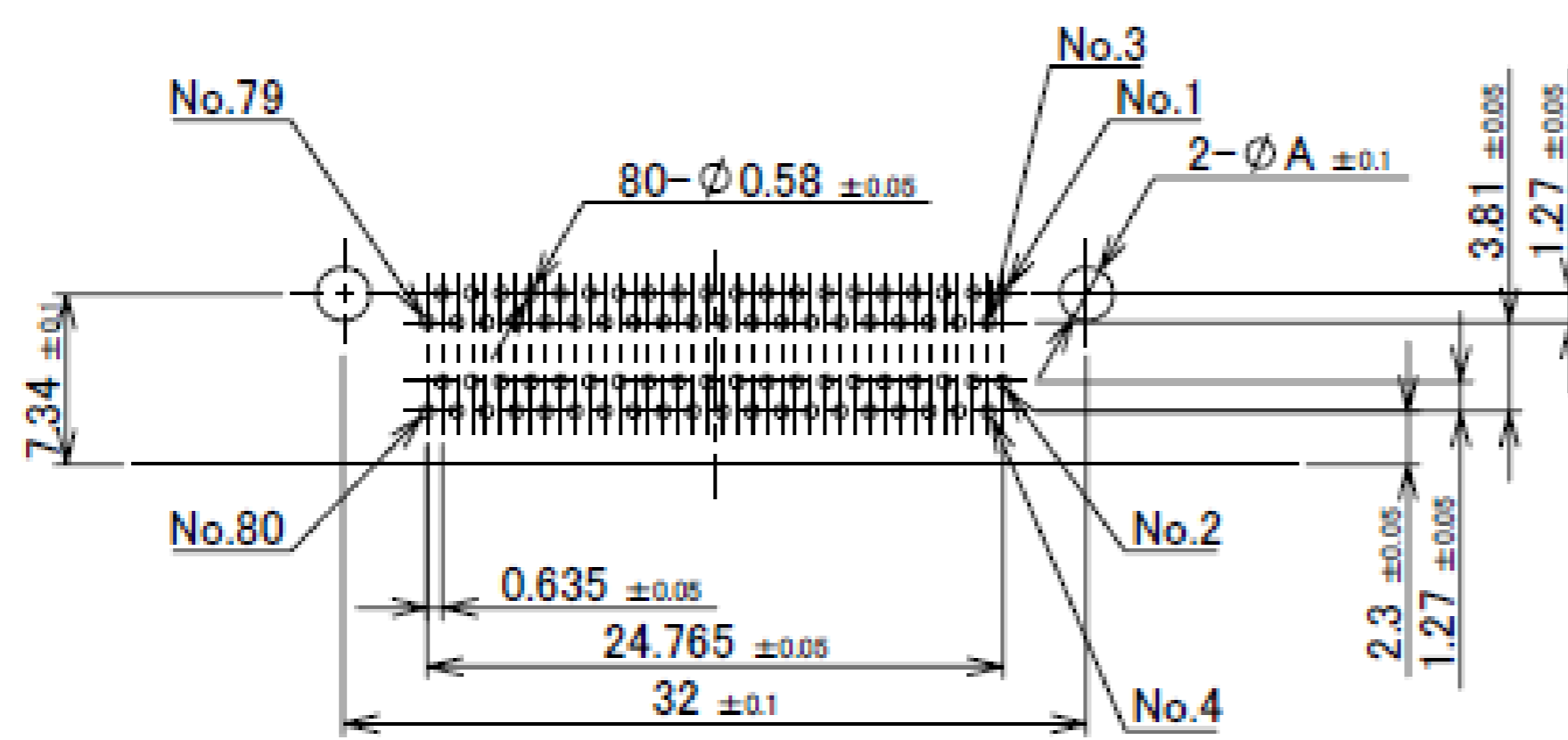
PART No.	GUIDE PIN TYPE	BOSS	A	B	C	NOTES		
30030-080T-F	TAPER TOP	WITHOUT BOSS	2.3	15.5	2.4	WITH SCREW		
30030-080T-01F	SPHERE TOP					WITHOUT SCREW		
30030-080T-02F	TAPER TOP					WITH SCREW		
30030-080T-03F	SPHERE TOP					WITHOUT SCREW		
30030-080T-04F	WITHOUT GUIDE PIN (1413-00*)					WITH SCREW		
30030-080T-05F	(WITHOUT NUT, WASHER)	WITHOUT SCREW						
30030-080T-06F	TAPER TOP	WITH BOSS	3.1	15.5	2.4	WITH SCREW		
30030-080T-07F	SPHERE TOP					WITHOUT SCREW		
30030-080T-08F	TAPER TOP					WITH SCREW		
30030-080T-09F	SPHERE TOP					WITHOUT SCREW		
30030-080T-10F	WITHOUT GUIDE PIN (1413-00*)					WITH SCREW		
30030-080T-11F	(WITHOUT NUT, WASHER)	WITHOUT SCREW						
30030-080T-12F	2 nd SPHERE TOP	WITHOUT BOSS	2.3	15.5	2.4	WITH SCREW		
30030-080T-13F		WITH BOSS	3.1			WITHOUT SCREW		
30030-080T-14F		WITHOUT SCREW						
30030-080T-15F		WITH SCREW						
30030-080T-16F		WITHOUT SCREW						
30030-080T-17F	SPHERE TOP	WITHOUT BOSS	2.3	13.0	2.4	WITHOUT SCREW		
30030-080T-17F	TAPER TOP (MTL : STAINLESS STEEL)			15.5				
30030-080T-18F	SPHERE TOP (MTL : STAINLESS STEEL)							
30030-080T-19F	SPHERE TOP	WITH BOSS	3.1	14.0	4.0	WITH SCREW		



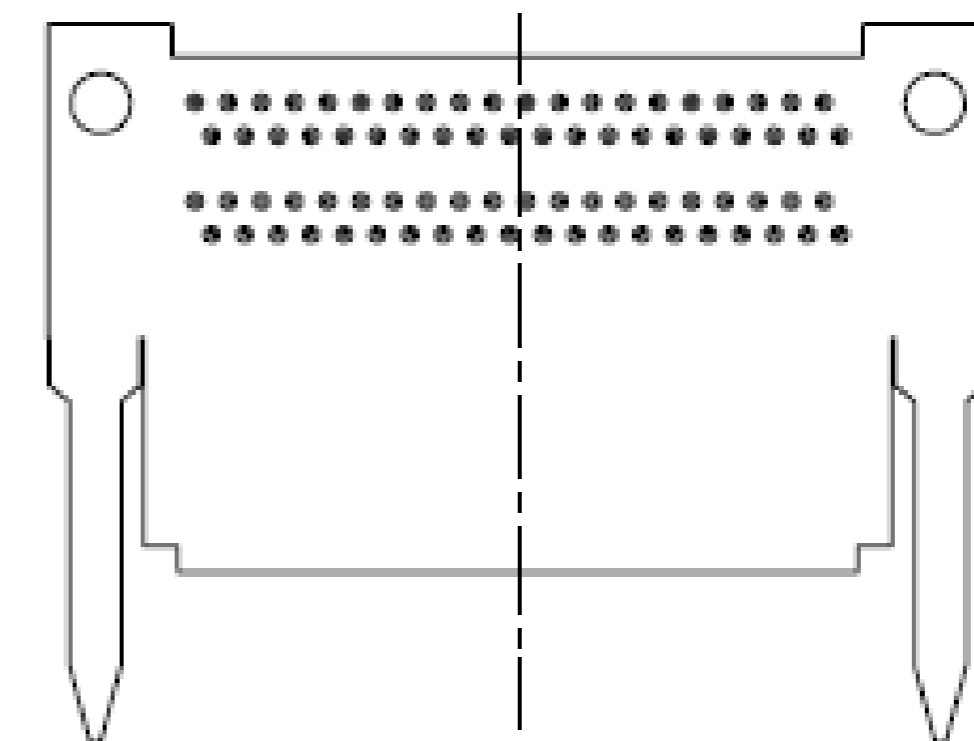
SCREW 90042-001
(S = 5/1)



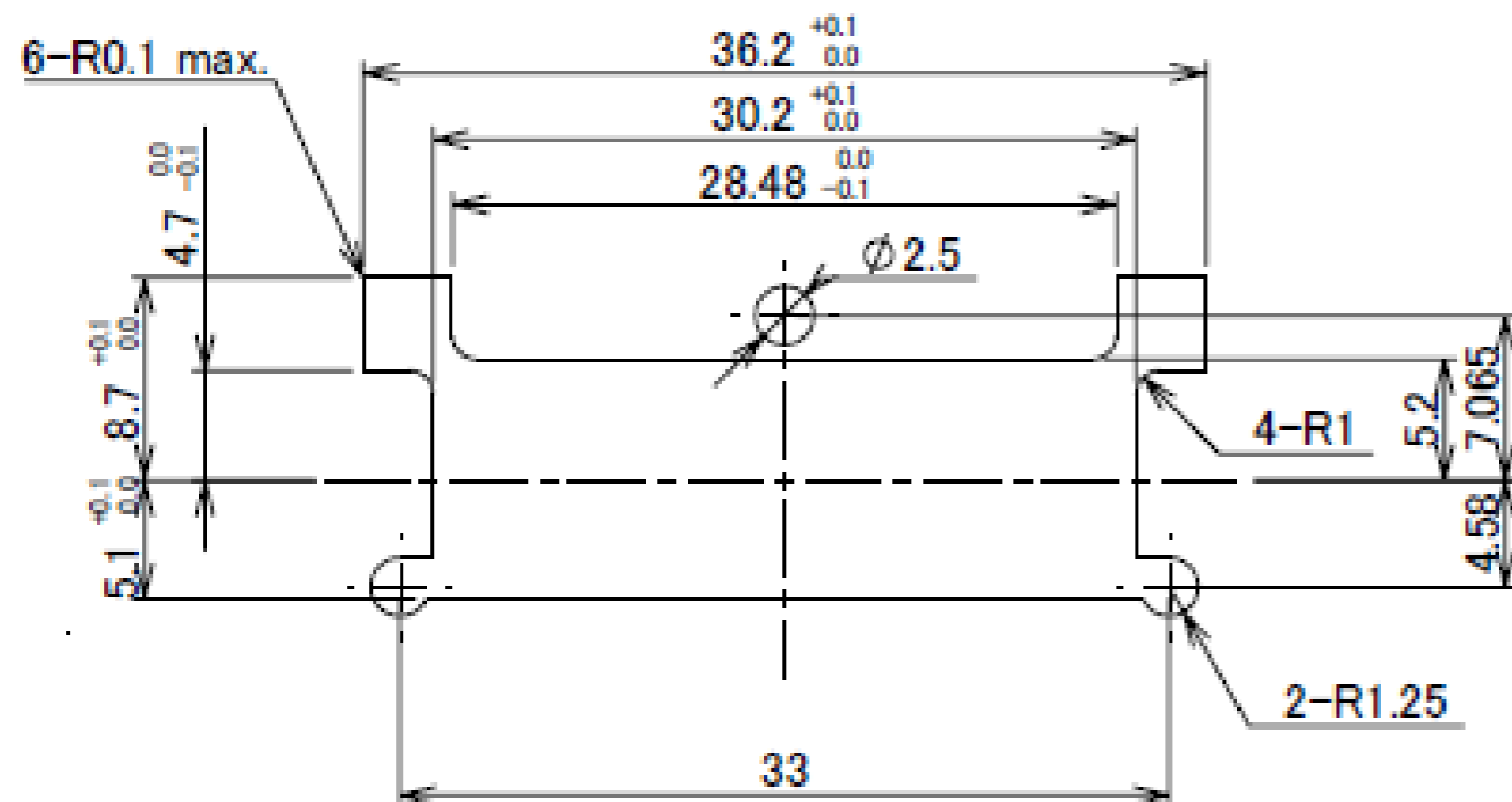
Rev.18



RECOMMENDED FOOTPRINT PATTERN t=1.6



CONNECTOR ON RECOMMENDED FOOTPRINT PATTERN



RECOMMENDED PANEL DIMENSIONS

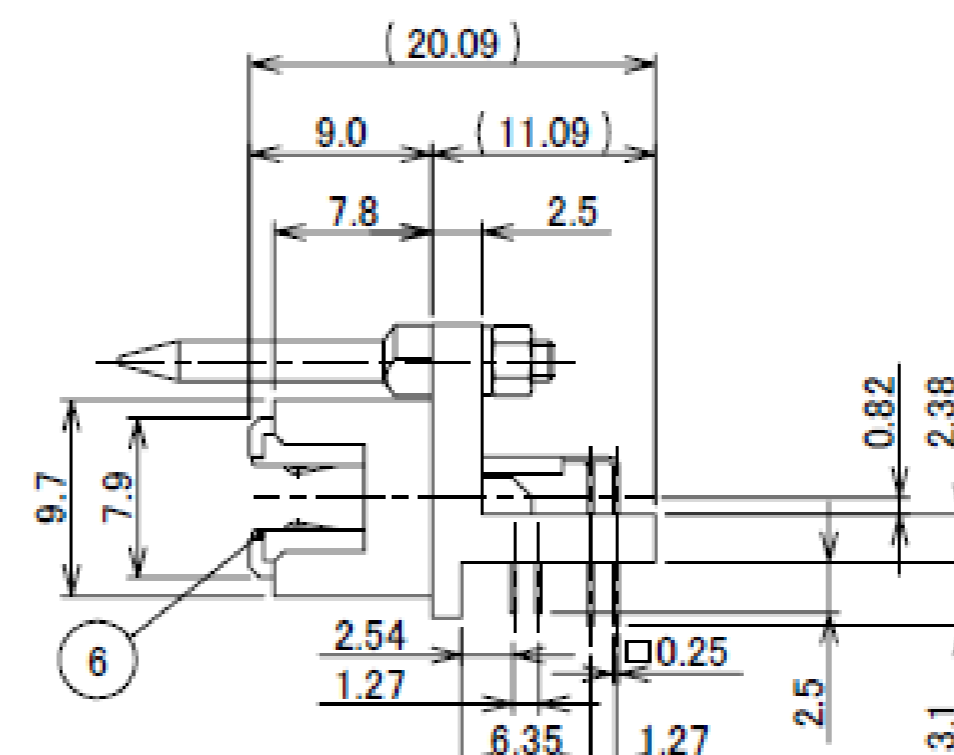
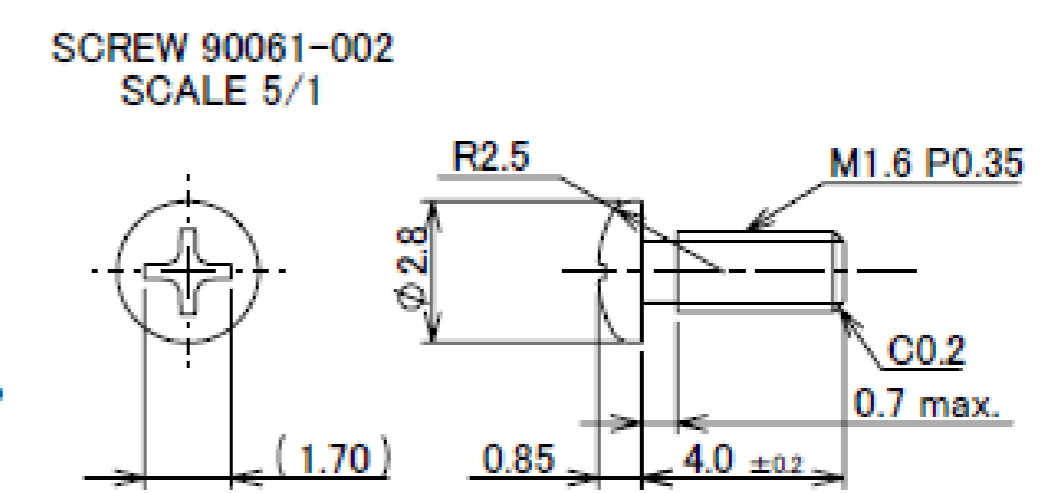
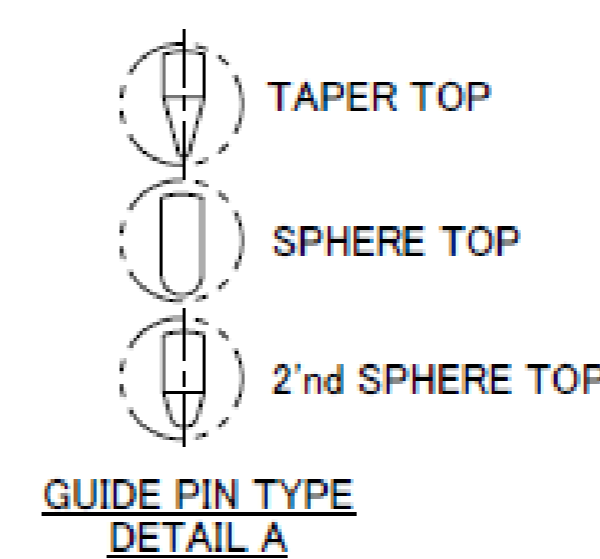
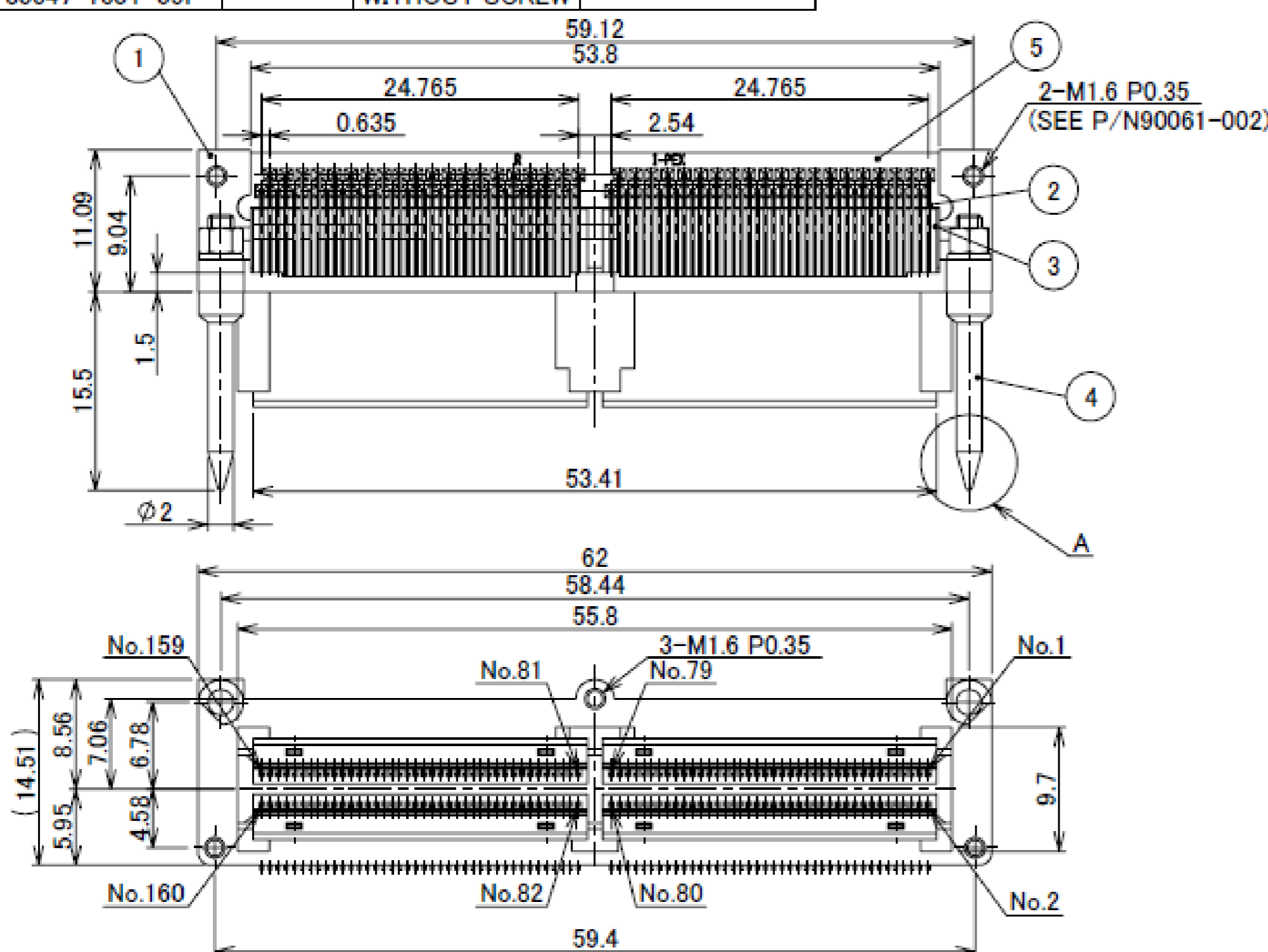
Rev.18

Receptacle Assembly

ITEMS	SPECIFICATION
RATING VOLTAGE	250V AC (PER CONTACT PIN)
RATING AMPERAGE (FOR CONTACT)	0.5A AC/DC (PER CONTACT PIN)
OPERATING TEMPERATURE	208~358K(-65°C~+85°C)
OPERATING HUMIDITY	85% MAX.(NON-CONDENSING)
CONTACT RESISTANCE (FOR CONTACT)	INITIAL : 70mohm MAX. / AFTER TEST : \leq 125mohm MAX.
INSULATION RESISTANCE	INITIAL : 10,000Mohm MIN. / AFTER TEST : 1,000Mohm MIN.
DIELECTRIC WITHSTANDING VOLTAGE	AC500V 1min
DURABILITY	5,000 CYCLES
MATING FORCE (INITIAL)	0.9N/pos. MAX.
UNMATING FORCE (AFTER TEST)	0.059N/pos. MIN.
COPLANARITY	-
PRODUCT SPECIFICATION	PRS-1011
TEST REPORT	TR-9020
PACKING STANDARD	300-071
INSTRUCTION MANUAL	-
APPEARANCE CRITERIA No.	QLS-A***

Rev.18

Recommended P/N		30047-160T-01F	
PART NO.	Pos.	NOTES	GUIDE PIN P/N
30047-160T-F	160P	WITH SCREW	TAPER TOP
30047-160T-01F		WITHOUT SCREW	TAPER TOP
30047-160T-02F		WITH SCREW	SPHERE TOP
30047-160T-03F		WITHOUT SCREW	SPHERE TOP
30047-160T-04F		WITH SCREW	2'nd SPHERE TOP
30047-160T-05F		WITHOUT SCREW	2'nd SPHERE TOP

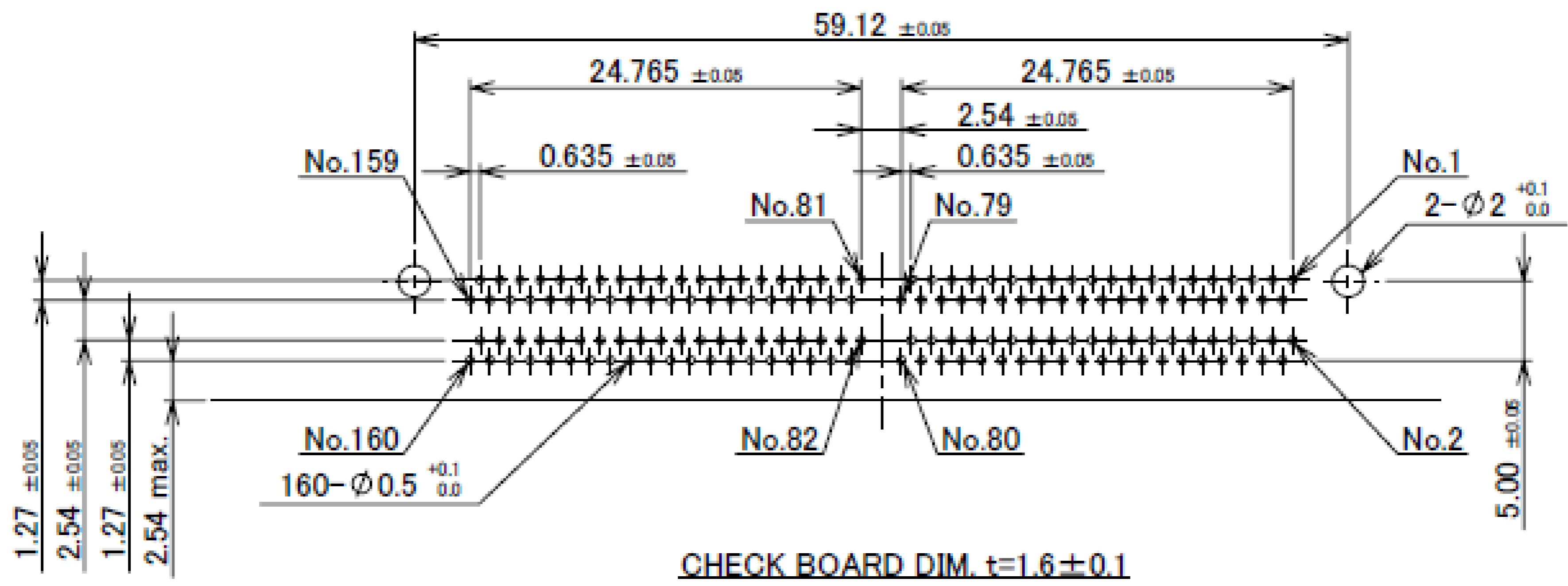


6	CONTACT GUIDE	PPS	BLACK UL94V-0
5	LOCATOR PLATE	PA	BLACK UL94V-0
4	GUIDE PIN	STEEL	Ni PLATING
3	RECE INSULATOR	PPS	BLACK UL94V-0
2	RECE CONTACT	COPPER ALLOY	Au PLATING
1	RECE SHELL	Zn ALLOY	Ni PLATING
NO.	DESCRIPTION	MATERIAL	FINISH, REMARKS

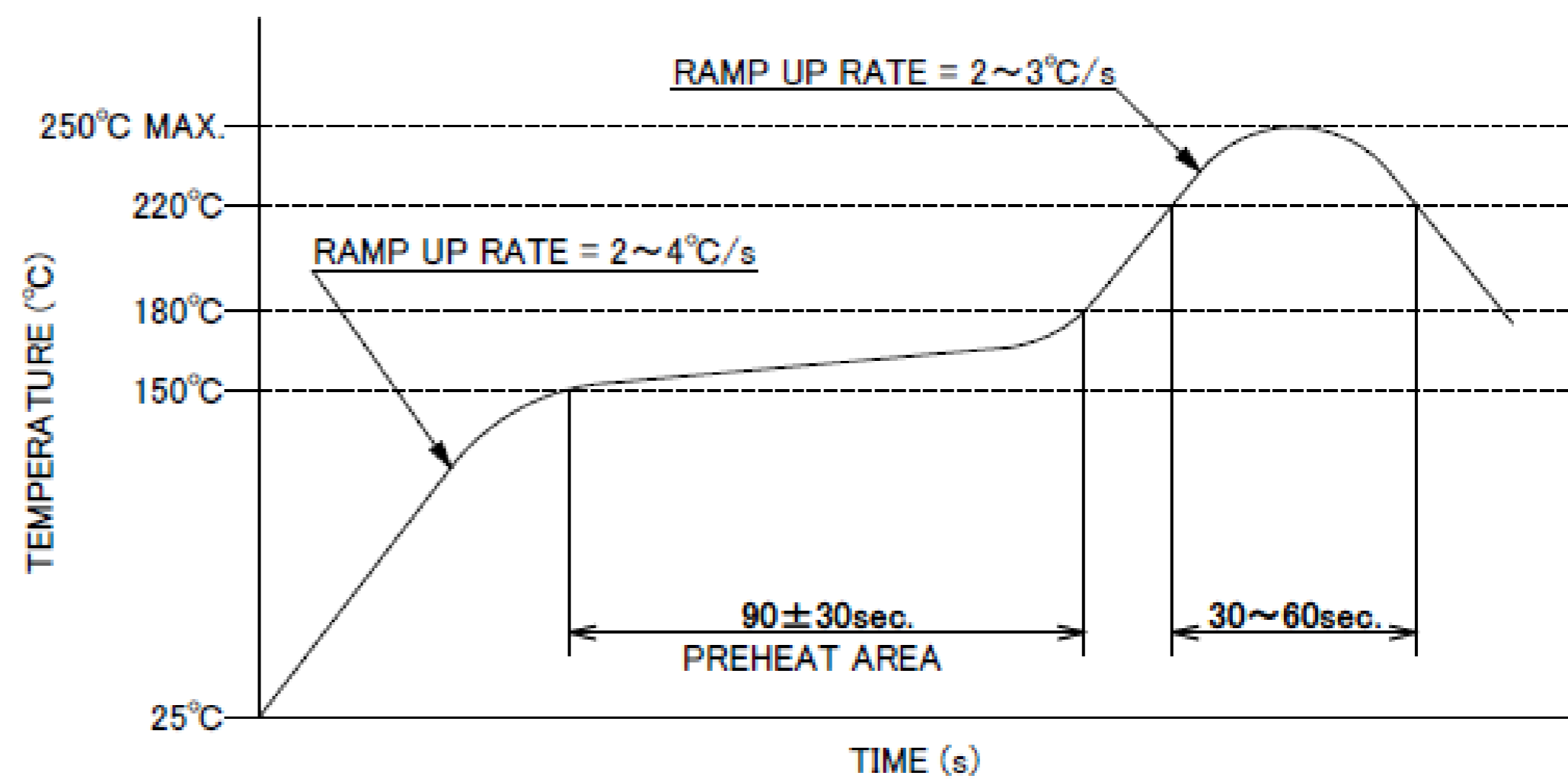
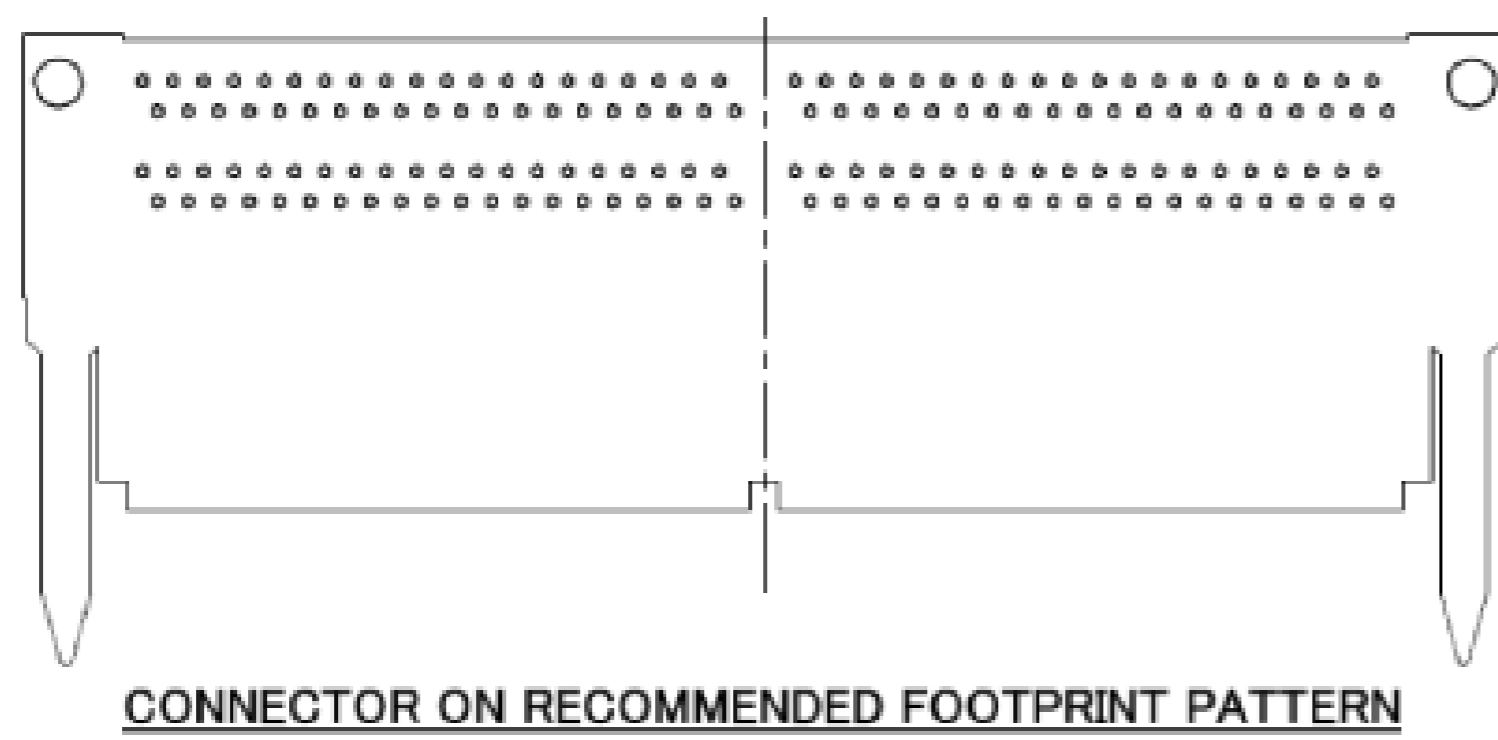
NOTES
1. CONNECTOR TO BE MATED : 30046

Rev.11

Receptacle Assembly



Rev.11



REFLOW TEMPERATURE PROFILE
SENJU METAL INDUSTRY CO., LTD. : M705-SHF(Sn98.5 Ag3.0 Cu0.5)

Rev.11

Receptacle Assembly

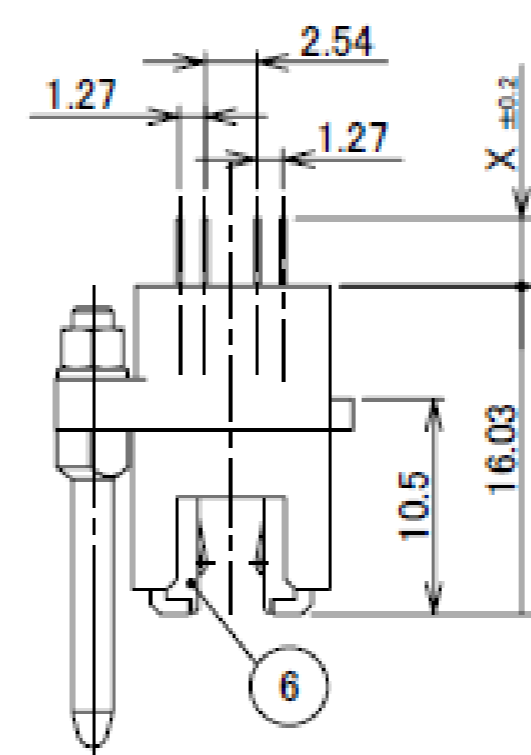
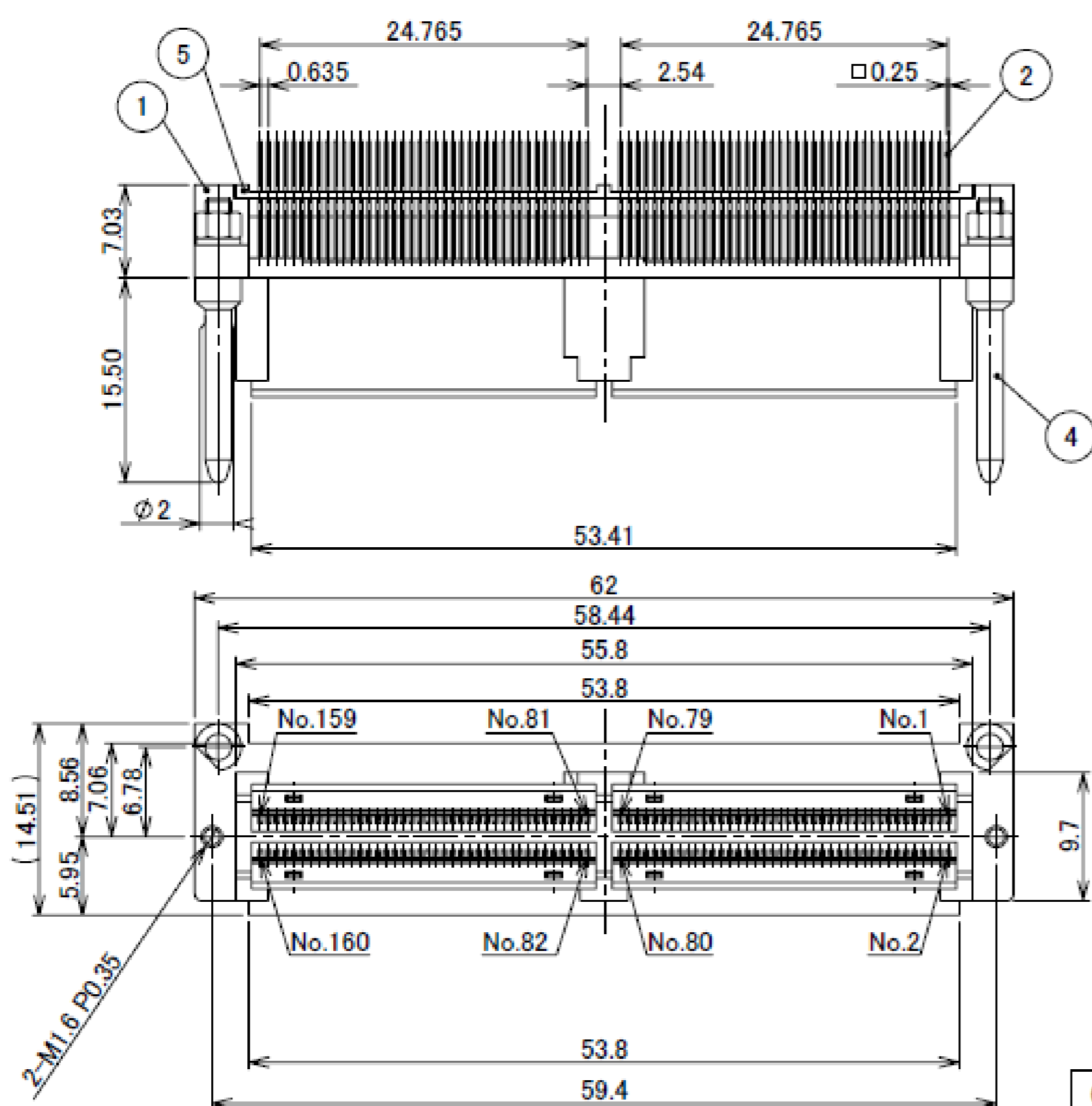
ITEMS	SPECIFICATION
RATING VOLTAGE	250V AC (PER CONTACT PIN)
RATING AMPERAGE (FOR CONTACT)	0.5A AC/DC (PER CONTACT PIN)
OPERATING TEMPERATURE	208~358K(-65°C~+85°C)
OPERATING HUMIDITY	85% MAX.(NON-CONDENSING)
CONTACT RESISTANCE (FOR CONTACT)	INITIAL : 70mohm MAX. / AFTER TEST : \triangle 25mohm MAX.
INSULATION RESISTANCE	INITIAL : 10,000Mohm MIN. / AFTER TEST : 1,000Mohm MIN.
DIELECTRIC WITHSTANDING VOLTAGE	AC500V 1min
DURABILITY	5,000 CYCLES
MATING FORCE (INITIAL)	0.9N/pos. MAX.
UNMATING FORCE (AFTER TEST)	0.059N/pos. MIN.
COPLANARITY	-
PRODUCT SPECIFICATION	PRS-1011
TEST REPORT	TR-9020
PACKING STANDARD	300-107
INSTRUCTION MANUAL	-
APPEARANCE CRITERIA No.	QLS-A***

Rev.11

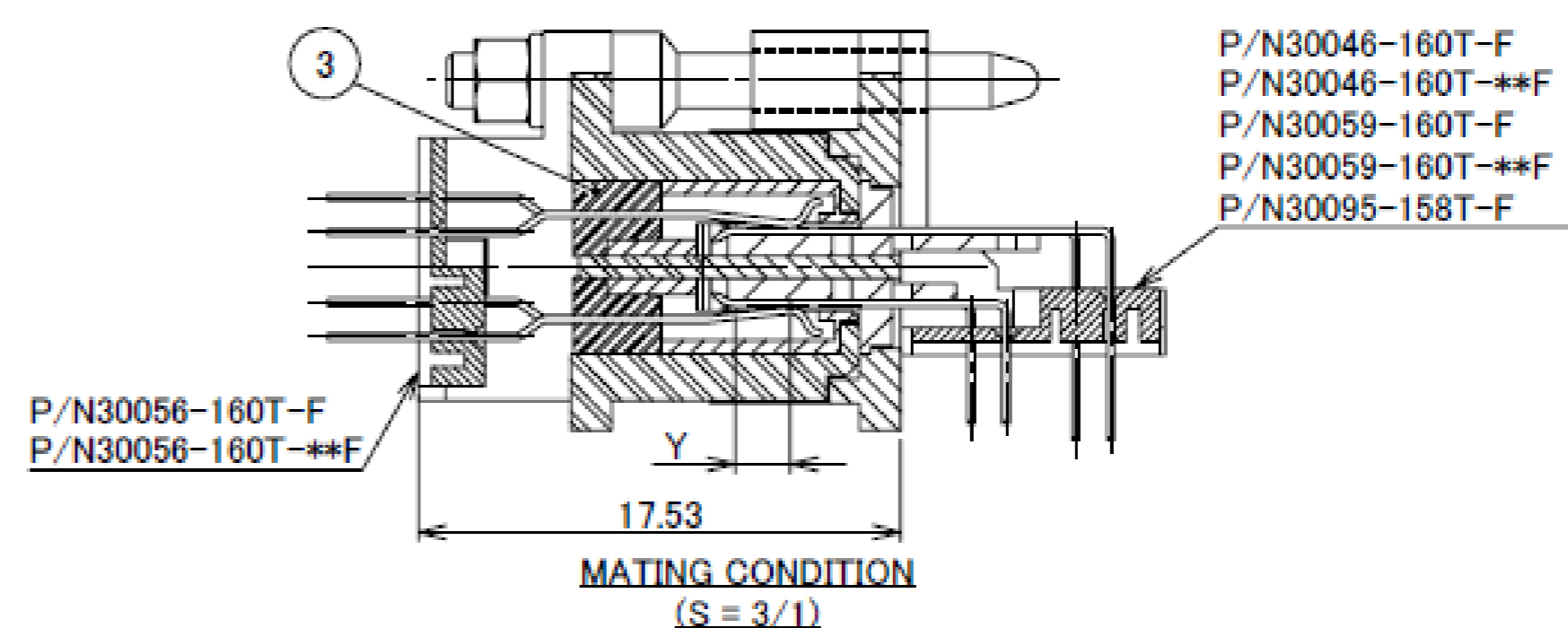
Recommended P/N		30056-160T-F
PART NO.	LEAD DIMENSION X	NOTES
30056-160T-F	3.3	WITH SCREW
30056-160T-01F		WITHOUT SCREW



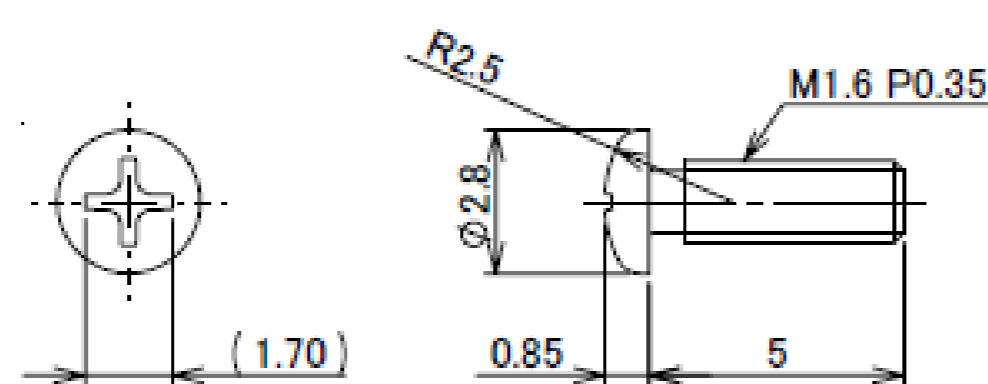
RoHS Compliant



BE MATED	Y (MATING TRAVEL OF C/T)
P/N 30046-160T	1.4, 2.1
P/N 30059-160T	0.7, 1.4, 2.1
P/N 30095-158T	0.7, 1.4, 2.1



NO.	DISCRIPTION	MATERIAL	FINISH, REMARKS
6	CONTACT GUIDE	PPS	BLACK UL94V-0
5	LOCATOR PLATE	PA	BLACK UL94V-0
4	GUIDE PIN	STEEL	Ni PLATING
3	RECE INSULATOR	PPS	BLACK UL94V-0
2	RECE CONTACT	COPPER ALLOY	CONTACT PART Au FLASH SOLDER TAIL Au FLASH
1	RECE SHELL	Zn ALLOY	Ni PLATING



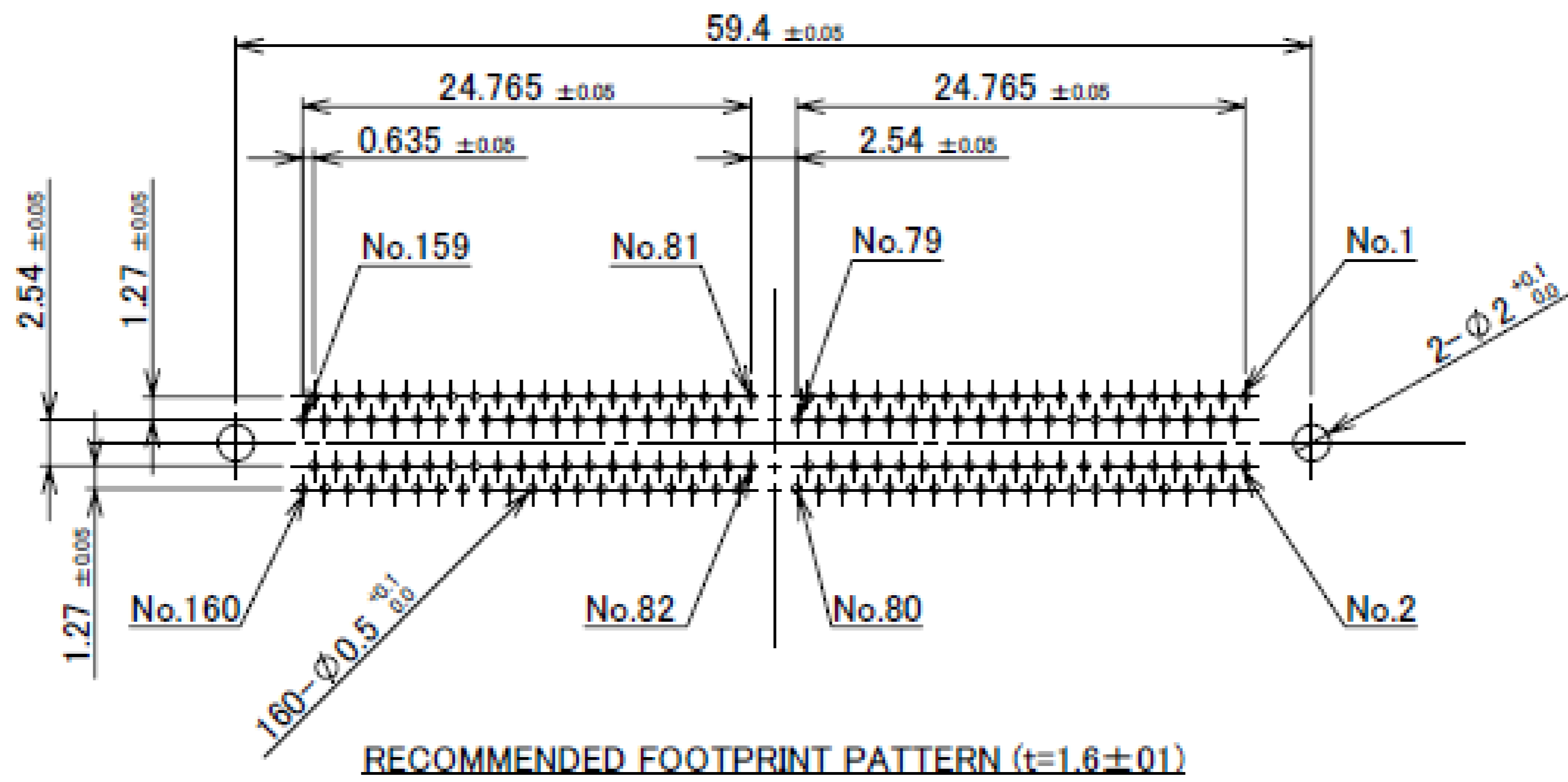
SCREW 90061-001
(S = 5/1)

NOTES

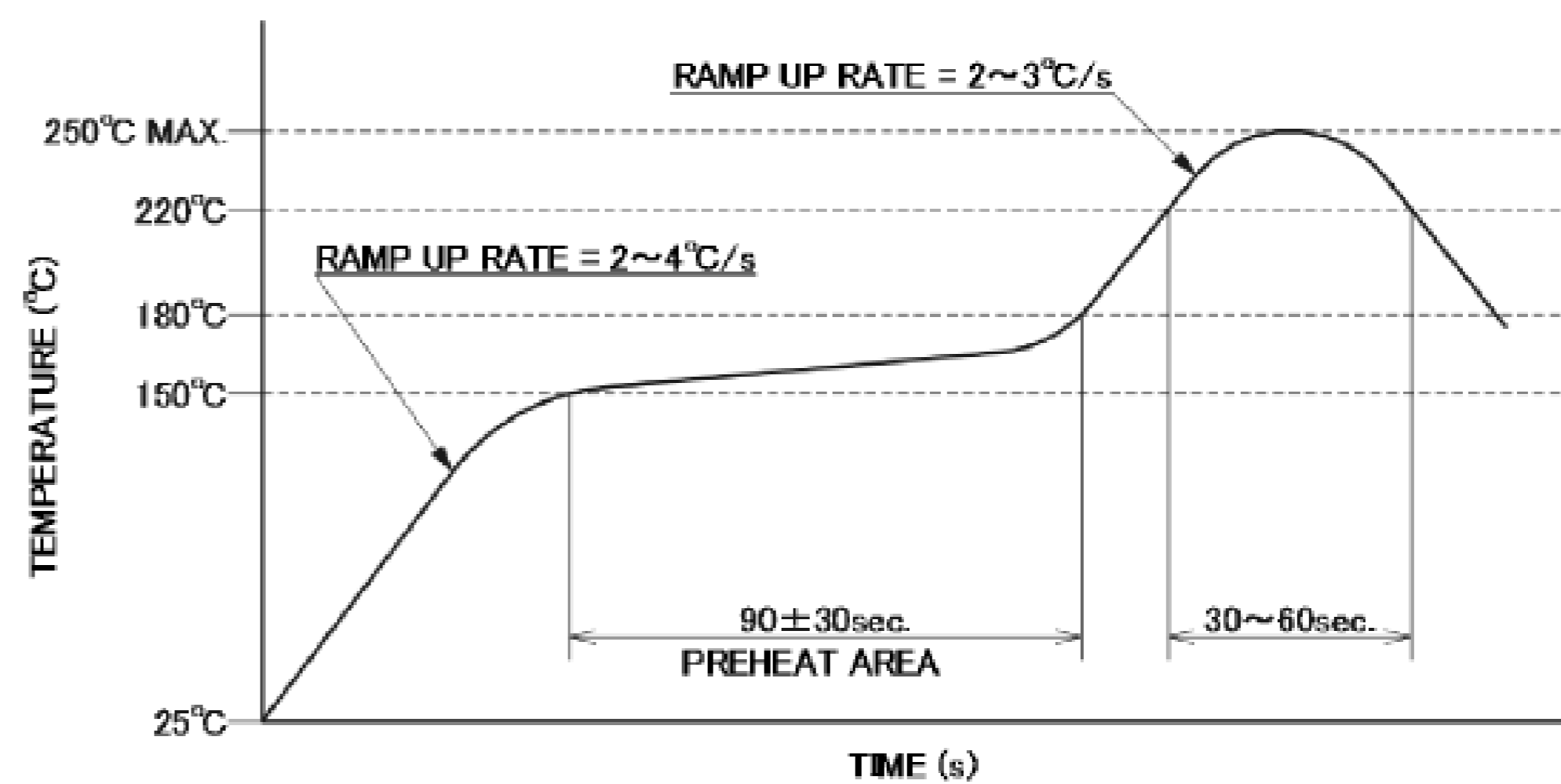
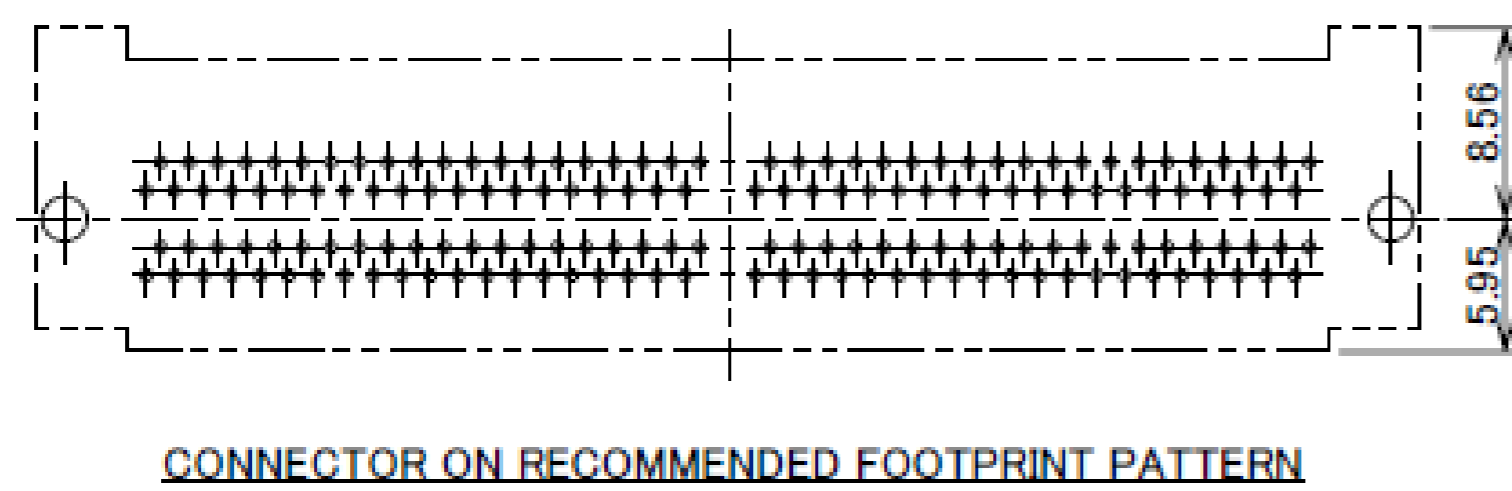
- CONNECTOR TO BE MATED: 30046, 30059, 30095
- ALLOWANCE DIMENSION OF GUIDE PIN : 0.8 mm

Rev.12

Receptacle Assembly



Rev.12



Rev.12

Receptacle Assembly

ITEMS	SPECIFICATION
RATING VOLTAGE	250V AC (PER CONTACT PIN)
RATING AMPERAGE (FOR CONTACT)	0.5A AC/DC (PER CONTACT PIN)
OPERATING TEMPERATURE	208~358K(-65°C~+85°C)
OPERATING HUMIDITY	85% MAX.(NON-CONDENSING)
CONTACT RESISTANCE (FOR CONTACT)	INITIAL : 70mohm MAX. / AFTER TEST : \leq 25mohm MAX.
INSULATION RESISTANCE	INITIAL : 10,000Mohm MIN. / AFTER TEST : 1,000Mohm MIN.
DIELECTRIC WITHSTANDING VOLTAGE	AC500V 1min
DURABILITY	5,000 CYCLES
MATING FORCE (INITIAL)	0.9N/pos. MAX.
UNMATING FORCE (AFTER TEST)	0.059N/pos. MIN.
COPLANARITY	-
PRODUCT SPECIFICATION	PRS-1011
TEST REPORT	TR-9020
PACKING STANDARD	300-151
INSTRUCTION MANUAL	-
APPEARANCE CRITERIA No.	QLS-A***

Rev.12

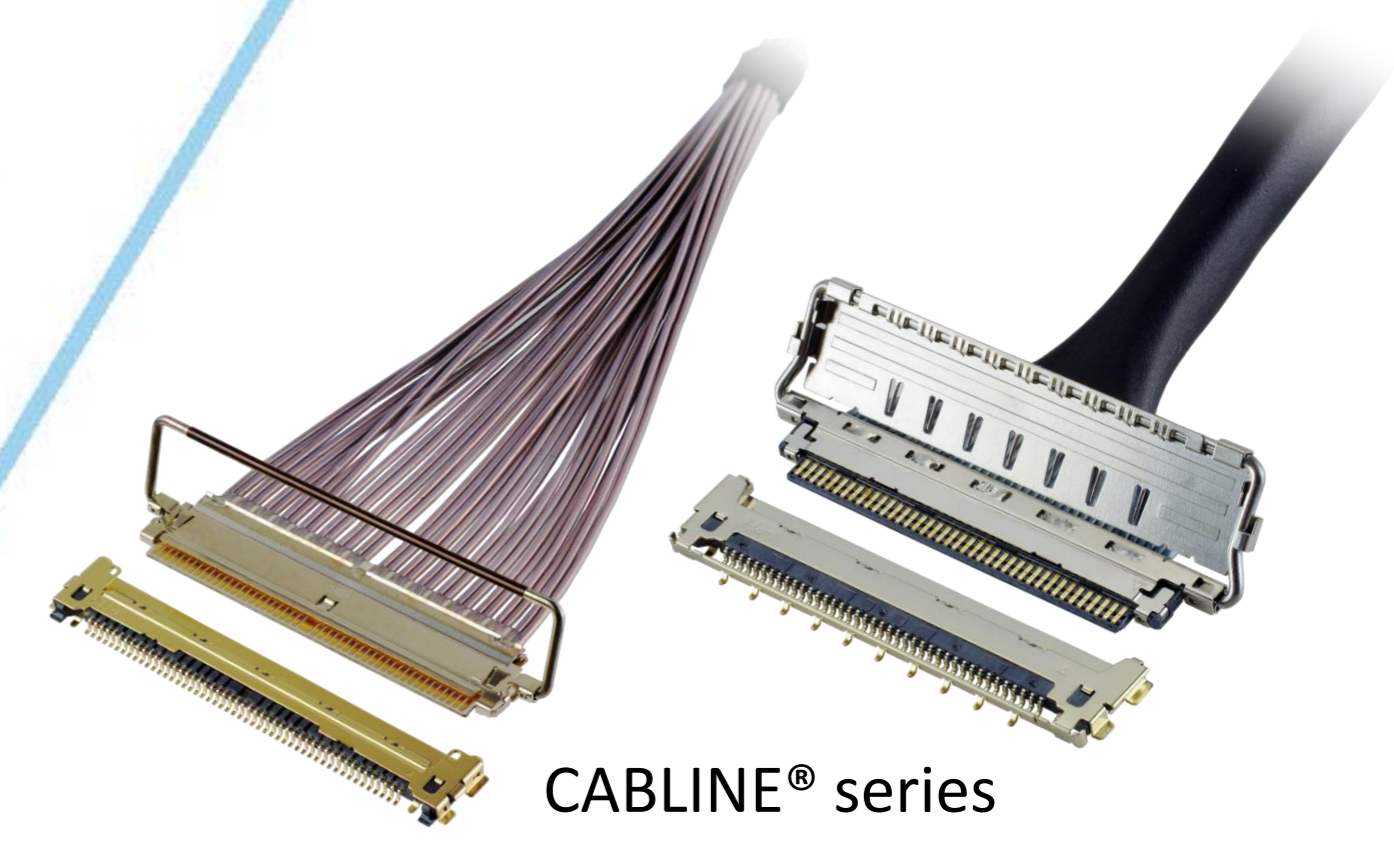
Custom Products Available

RF Connector

MHF® series



Micro-coaxial/Twinax/ Discrete Wire Connector



CABLINE® series

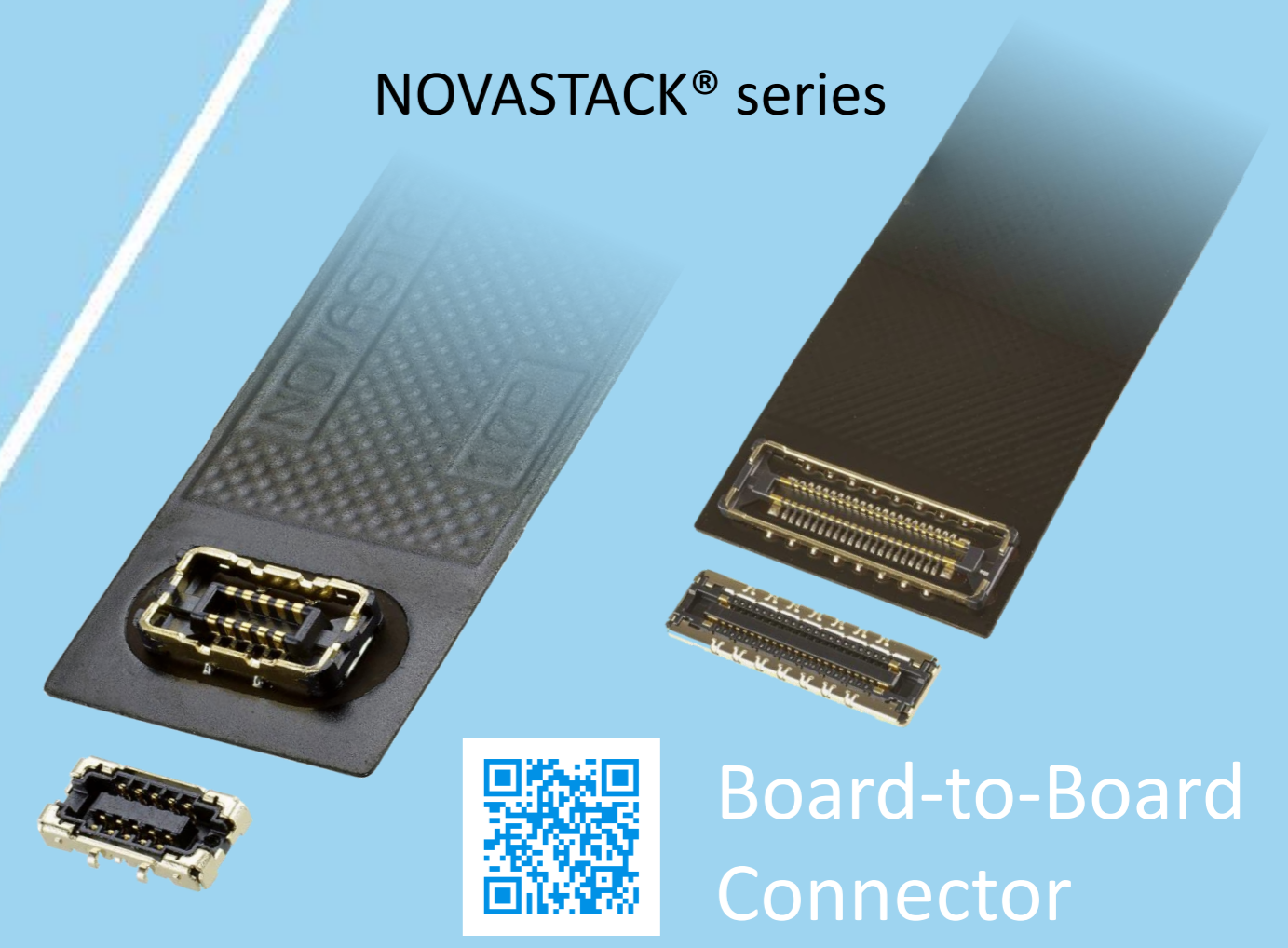


Optical Module

LIGHTPASS® series



NOVASTACK® series



Board-to-Board Connector



Power Connector/ Terminal

AP series

ISH® series



MINIFLEX® series

EVAFLEX® series



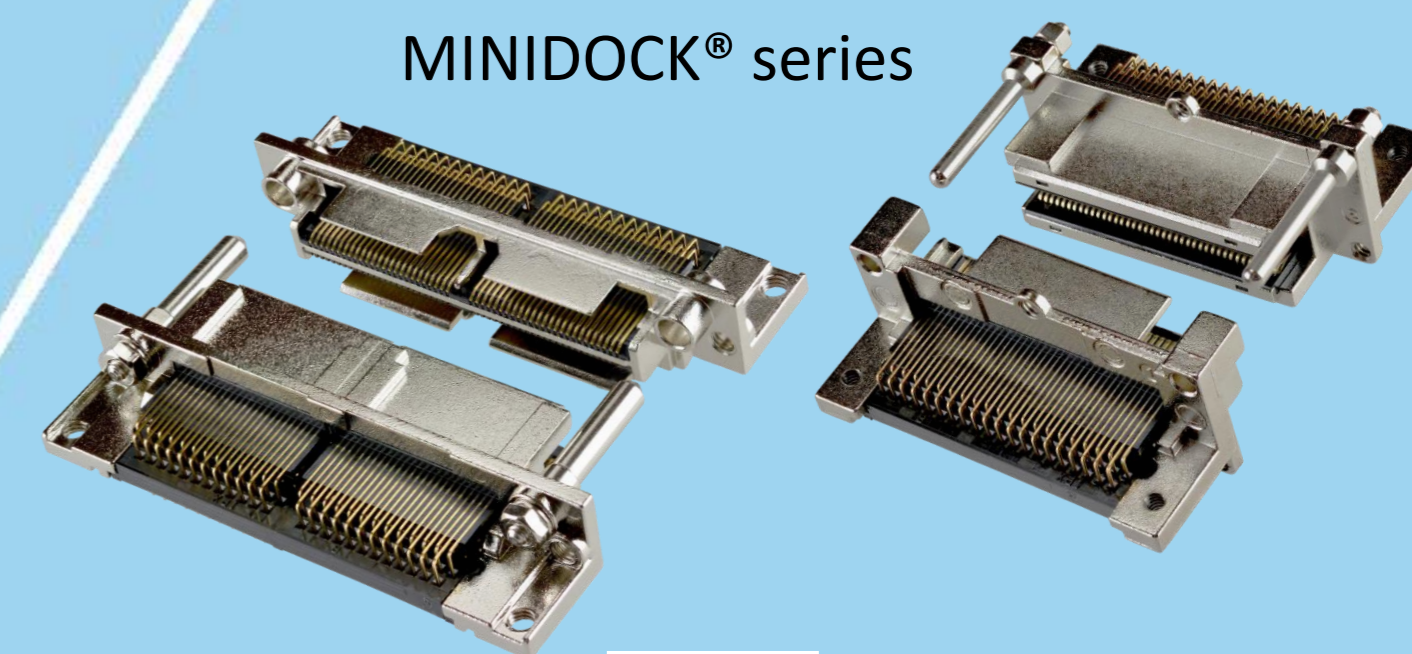
FPC FFC Connector



Inquiry



MINIDOCK® series



I/O Connector

I-PEX, MHF, CABLINE, LIGHTPASS, NOVASTACK, ISH, IARPB, MINIFLEX, EVAFLEX, MINIDOCKS and ZenShield are registered trademarks of I-PEX Inc. Please note that the contents in the catalog might be changed without prior notification. I-PEX Inc. assumes no responsibility for any inaccuracies or obligation to update information on these documents. Please be sure to read and understand the latest "Precautions for Use" and "Instruction Manual" before you use our products. We shall not be responsible for any defects, damages or troubles in case you use our products without following the precautions for use. Please feel free to contact our sales representatives when you use our products for any applications that require very high reliability and safety, or that relate to human life (ex. nuclear power control, aerospace, transportation, medical equipment, safety equipment etc.).

Contact your sales representative or more detailed information.

www.i-pex.com



I-PEX

© I-PEX Inc. 2024
All rights reserved