

MHF[®] 7S

シールド性能に優れ、5 Gミリ波でのEMI対策に適したコネクタ、フットパターン
2.0 x 2.0 mm、周波数15 GHz対応、VSWR 1.5 max @ 15 GHz

Product Specifications:

Mated Height (mm max.)	1.4	
Rece. SMT Size (mm)	2.0 x 2.0	
Applicable Frequency	DC ~ 15 GHz	
Characteristic Impedance	50 ohm	
VSWR (L=100 mm)	DC~3 GHz	1.30 max.
	3~6 GHz	1.35 max.
	6~9 GHz	1.40 max.
	9~12 GHz	1.45 max.
	12~15 GHz	1.50 max.

Applicable Cable Size:

O.D. 1.13 mm / AWG 32

Applicable Standards (Reference Only):c

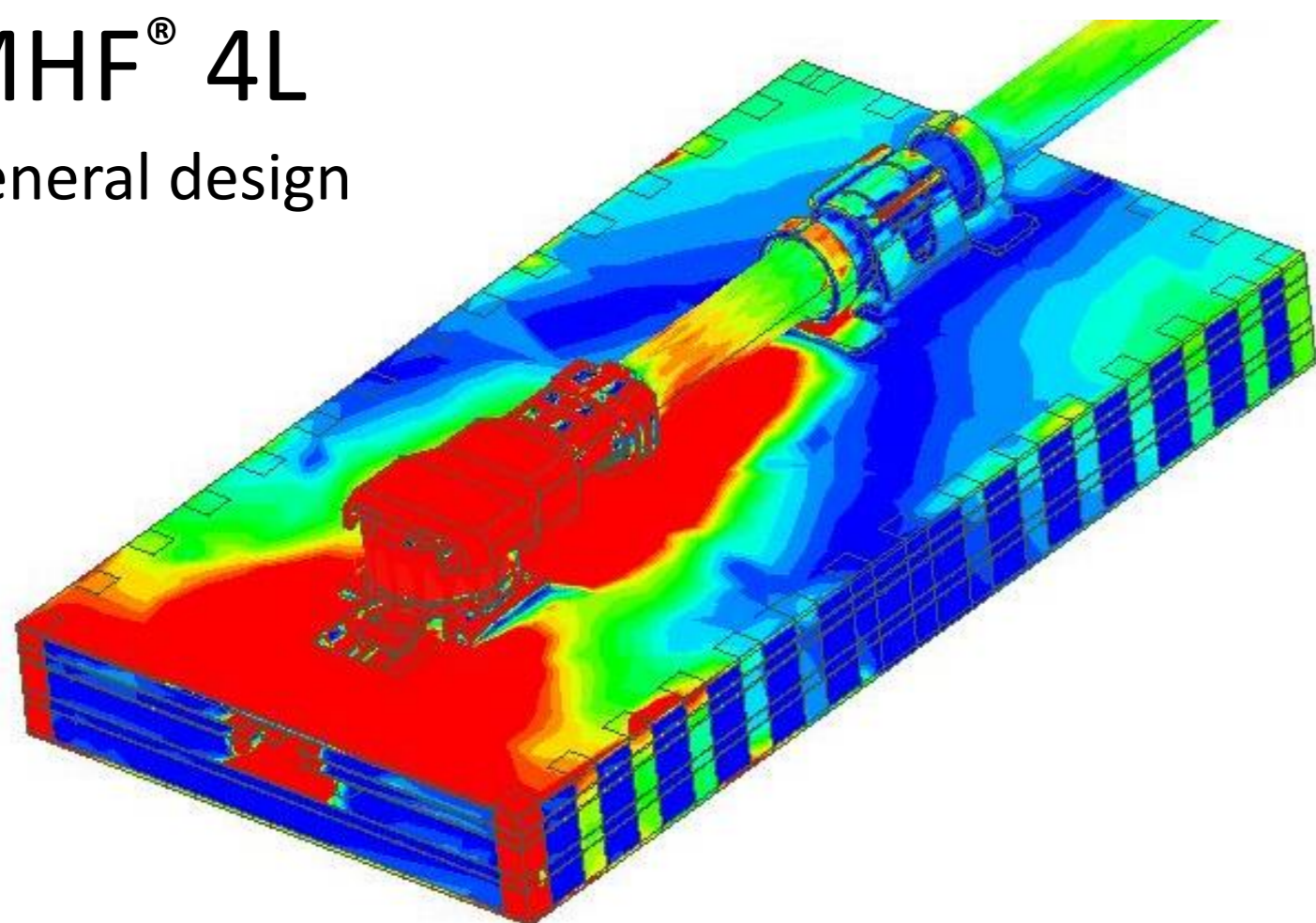
5G mmWave(~15GHz), 5G sub-6, Wi-Fi 6E, WiGig, LTE/LTE-Advanced, LPWA, Bluetooth, GPS



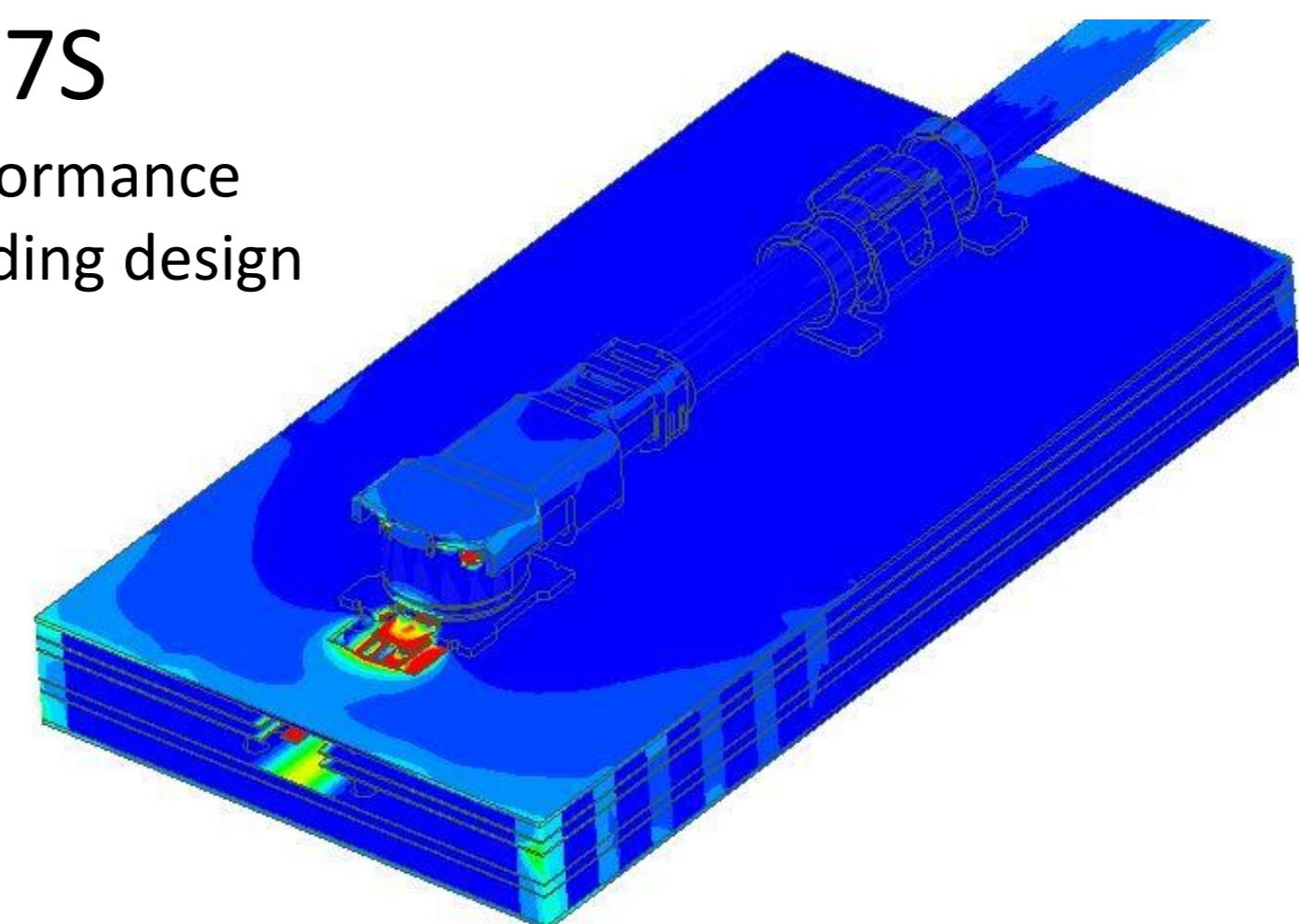
▶ 革新的なコネクタデザイン(ZenShield[®])により、卓越したシールド性能を実現。5G mm波帯の伝送に最適

Electric field strength distribution (simulation)

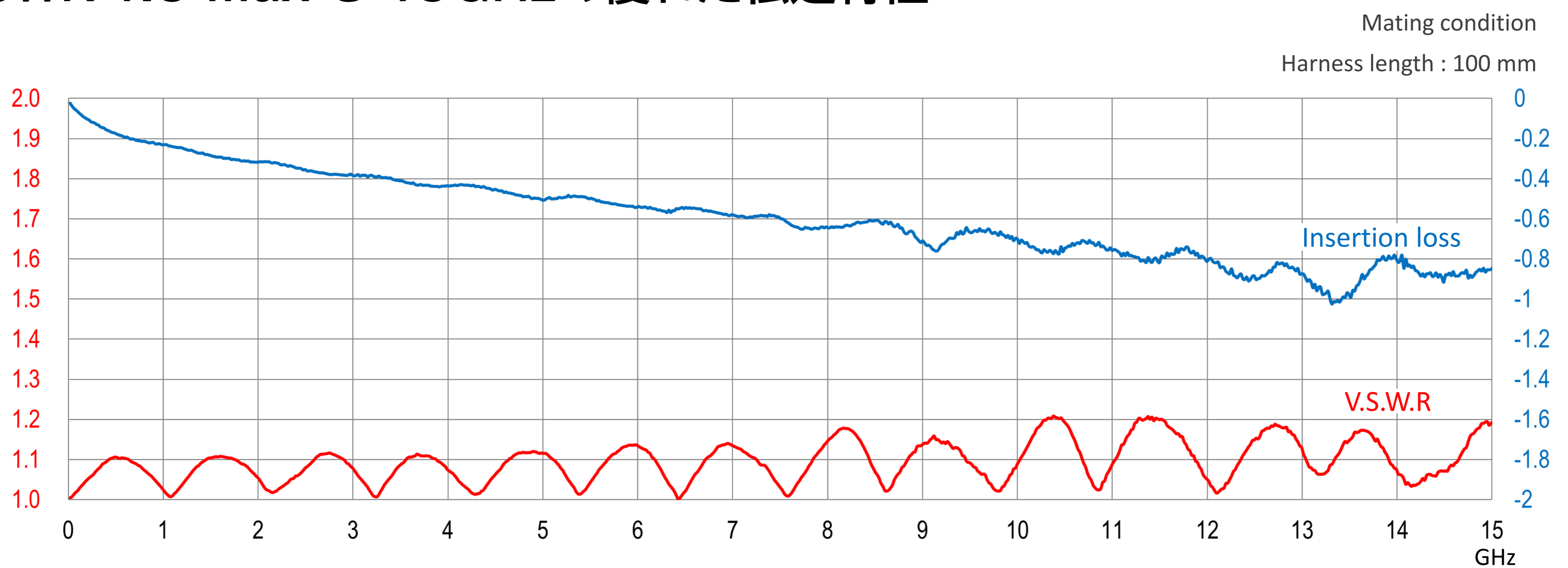
MHF[®] 4L
General design



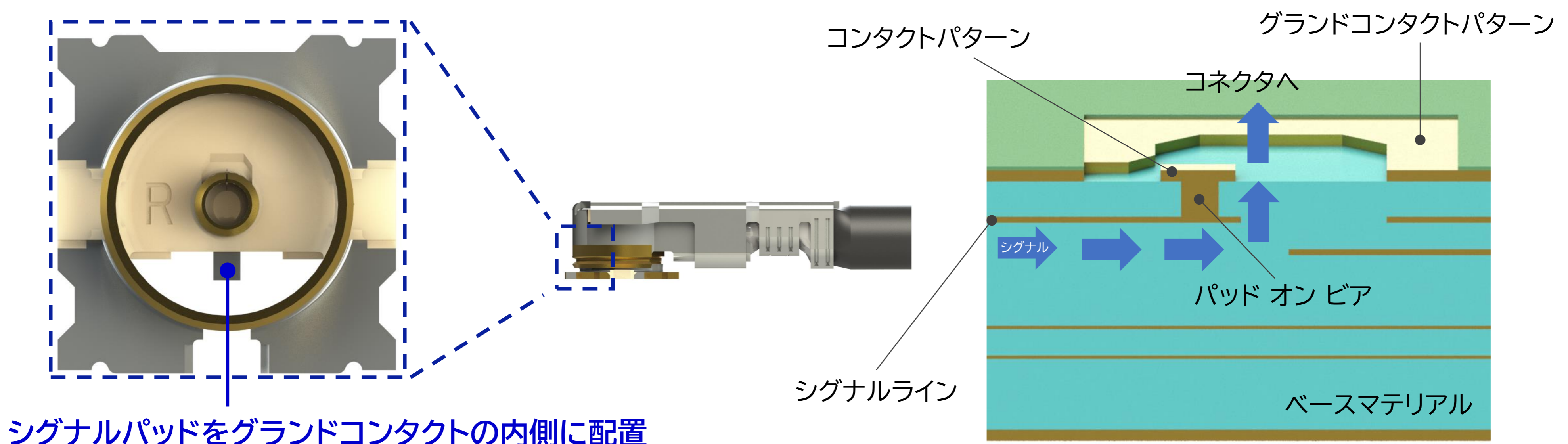
MHF[®] 7S
High-performance
EMI shielding design



▶ VSWR 1.5 max @ 15GHzの優れた伝送特性



▶ シグナルパッドをグラウンドコンタクトの内側に配置したストリップライン構造

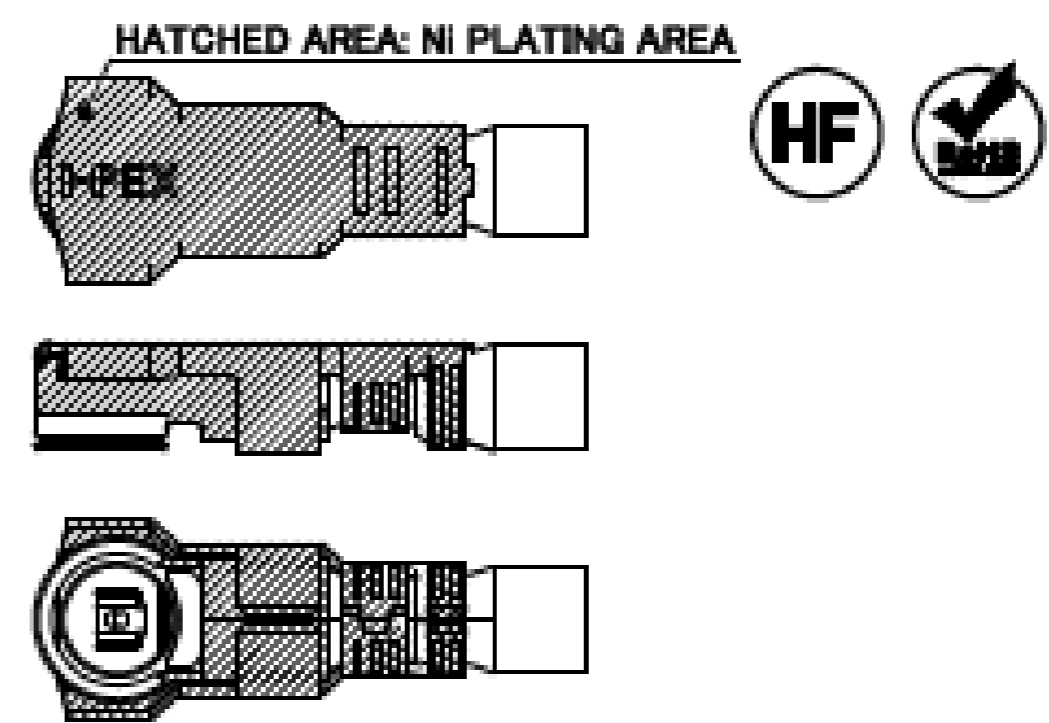
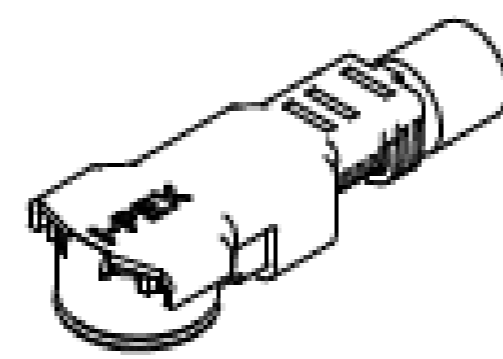
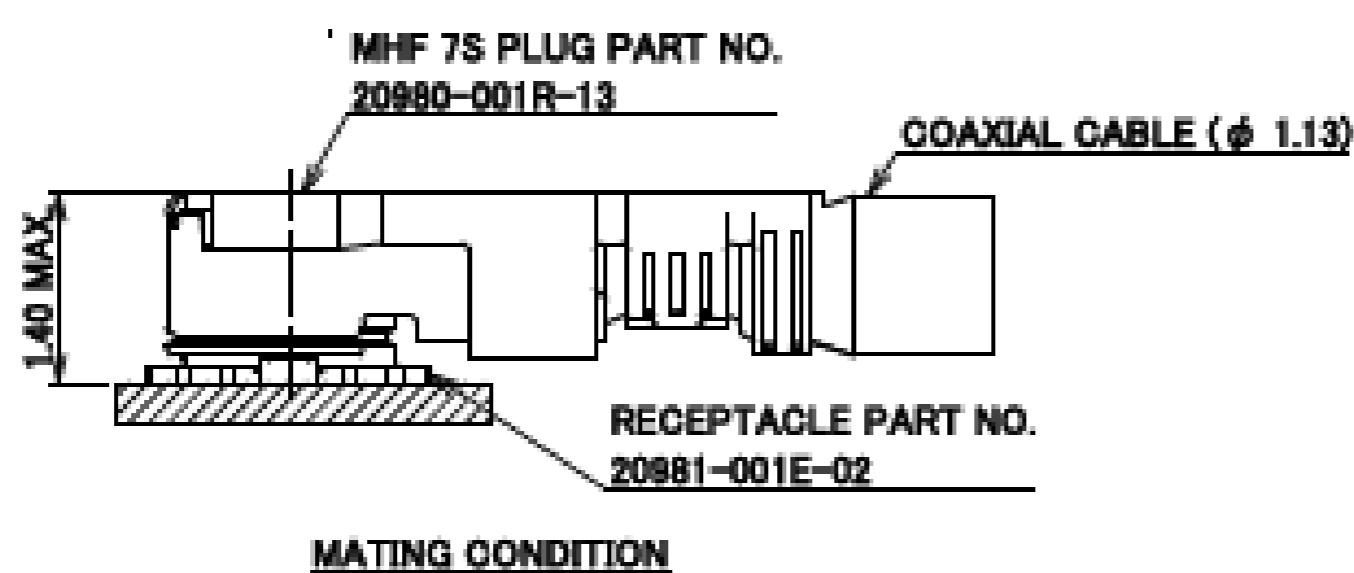
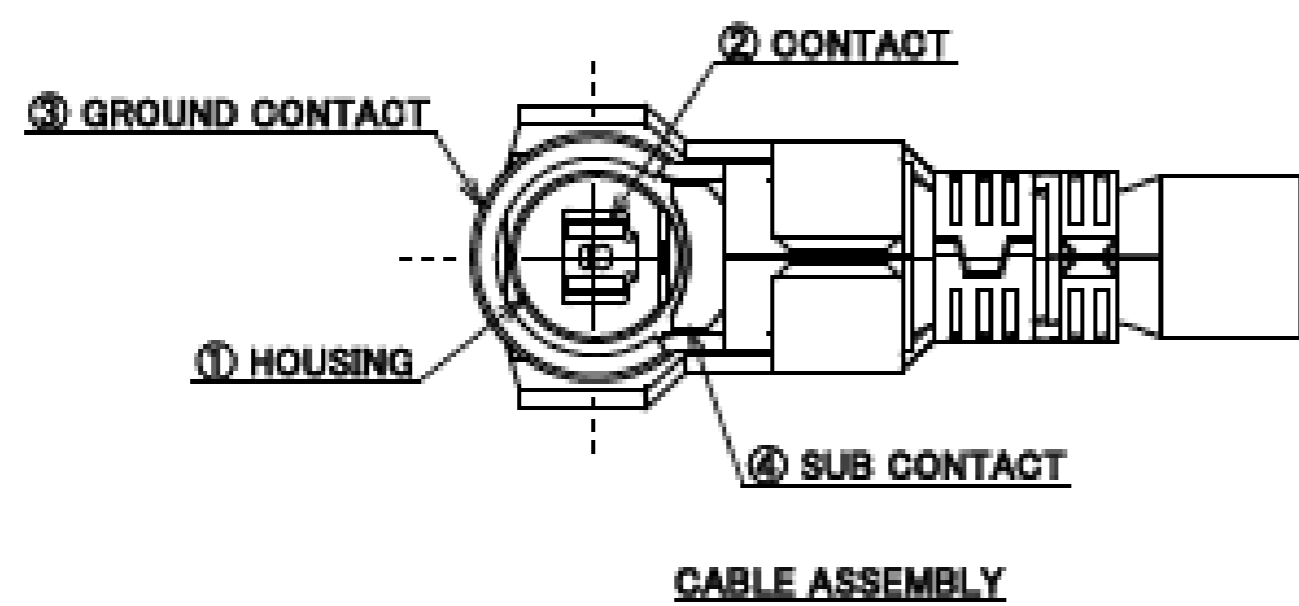
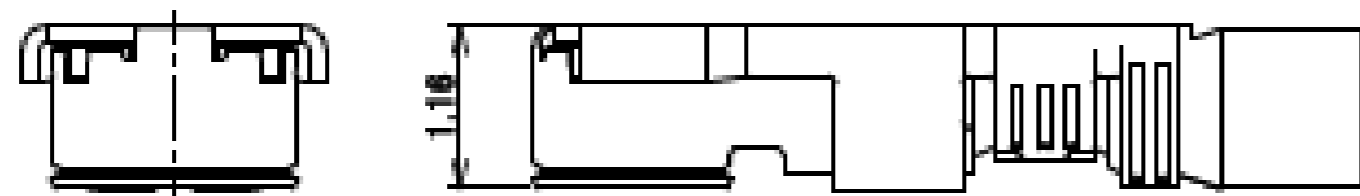
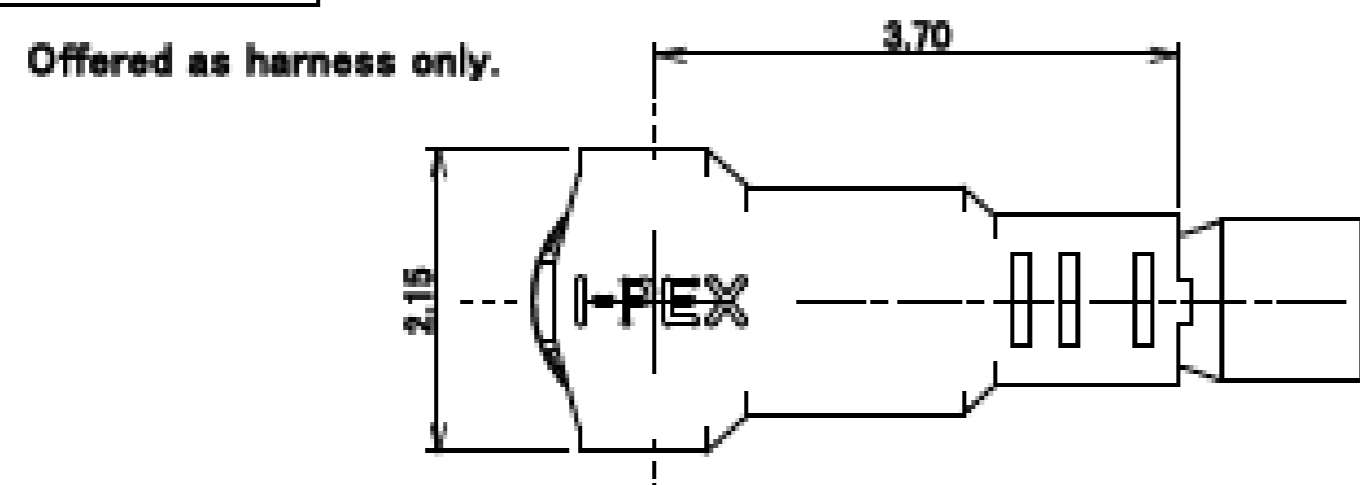


Component Parts Details

MHF[®] 7S plug

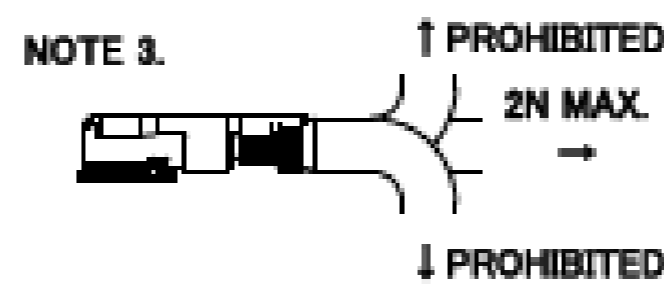
Recommended P/N	20980-001R-13
PART NO.	20980-001R-13

Offered as harness only.



NOTES

1. APPLICABLE CONNECTOR: 20981-001E-02
2. MATING AND UNMATING INSTRUCTION
 - 2-1. MATING
MATE THE CONNECTOR VERTICALLY AS MUCH AS POSSIBLE. ADJUSTING THE MATING AXIS OF PLUG AND RECEPTACLE. DO NOT SLANT MATE.
 - 2-2. UNMATING
USE THE MATING AND UNMATING TOOL (PART NO. 91186-0001) AS THE FOLLOWING DRAWING, AND PULL PLUG TO VERTICAL DIRECTION AS DIRECTLY AS POSSIBLE.
3. PERMISSIBLE LOAD OF CABLE AT MATING.
4. CHARACTERISTIC IMPEDANCE: 50 Ω (NOMINAL VALUE)



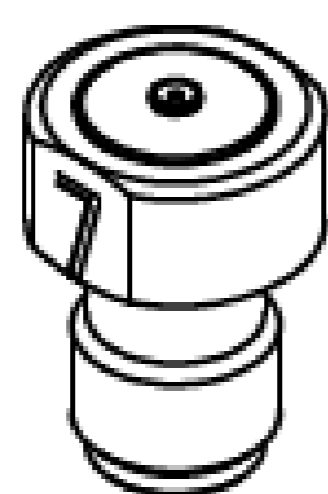
NO.	DESCRIPTION	MATERIAL	FINISH, REMARKS
4	SUB CONTACT	PHOSPHOR BRONZE	ALL OVER: Ni 1.00 μm MIN. CONTACT PART: Au 0.1 μm MIN.
3	GROUND CONTACT	PHOSPHOR BRONZE	ALL OVER: Ni 0.7 μm MIN. CONTACT PART: Au 0.1 μm MIN. (Ni PLATING AREA) Ni ONLY
2	CONTACT	CORSON ALLOY	ALL OVER: Ni 1.00 μm MIN. CONTACT PART: Au 0.1 μm MIN.
1	HOUSING	LGP	UL94V-0, WHITE

MHF® 7S plug

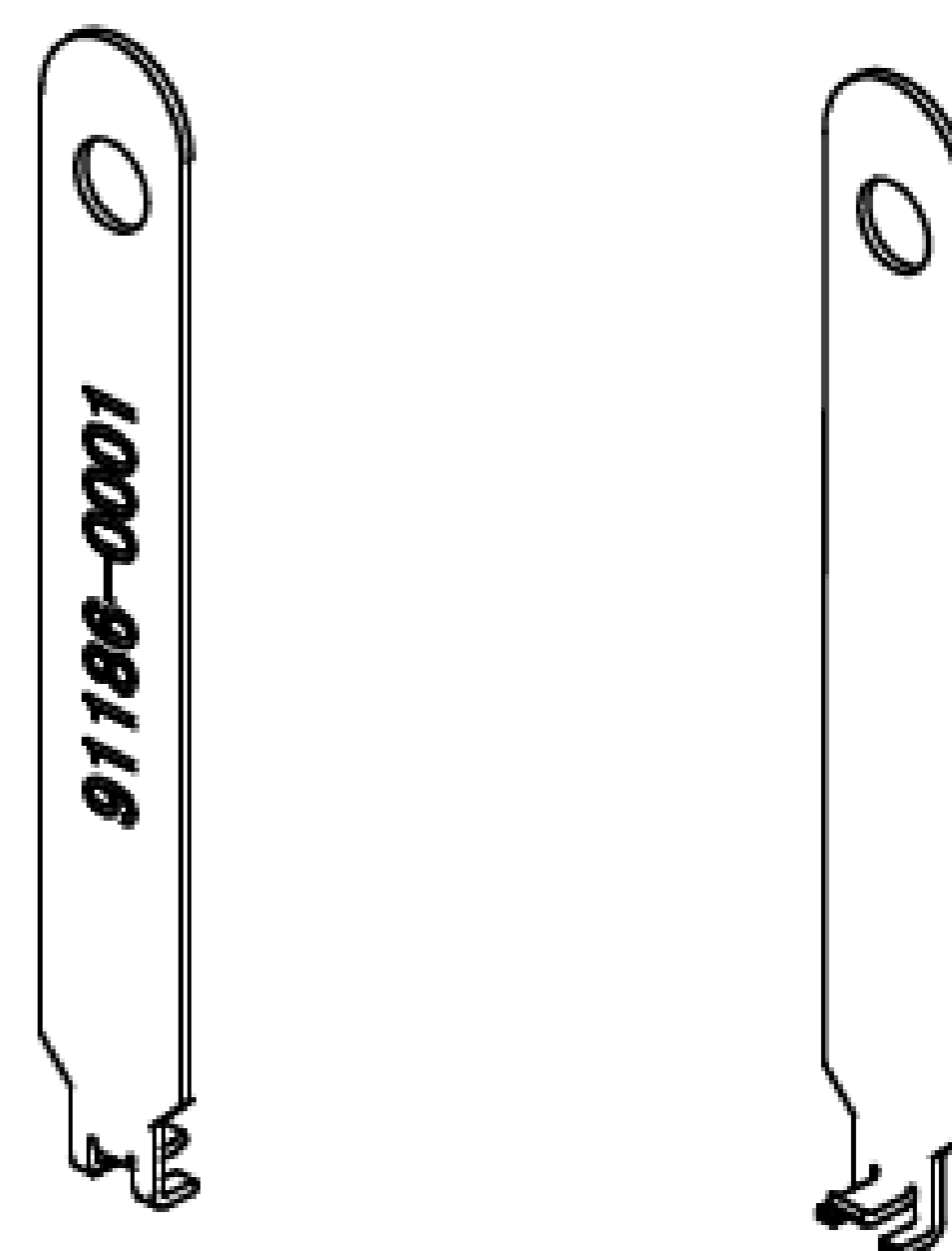
ITEMS	SPECIFICATION
APPLICABLE CONNECTOR PART No.	20981-001E-02
RATING VOLTAGE	60 V AC (R.M.S)/DC
RATING FREQUENCY	DC~15 GHz
OPERATING TEMPERATURE	233~363 K (-40°C~+90°C)
OPERATING HUMIDITY	90% MAX. (NON-CONDENSING)
CHARACTERISTIC IMPEDANCE	50 ohm (NOMINAL VALUE)
VSWR	1.30 MAX. AT 0.1 ~ 3 GHz, 1.35 MAX. AT 3 ~ 6 GHz, 1.40 MAX. AT 6 ~ 9 GHz, 1.45 MAX. AT 9 ~ 12 GHz, 1.50 MAX. AT 12 ~ 15 GHz
MAIN CONTACT RESISTANCE	INITIAL : 20 mohm MAX. / AFTER TEST : Δ R 20 mohm MAX.
GROUND CONTACT RESISTANCE	INITIAL : 20 mohm MAX. / AFTER TEST : Δ R 20 mohm MAX.
INSULATION RESISTANCE	INITIAL : 500 Mohm MIN. / AFTER TEST : 100 Mohm MIN.
DIELECTRIC WITHSTANDING VOLTAGE	AC200V 1min
DURABILITY	30 CYCLES
MATING FORCE (INITIAL / AFTER TEST)	INITIAL: 30N MAX. (VERTICAL DIRECTION) AFTER TEST: 30N MAX. (VERTICAL DIRECTION)
UNMATING FORCE (INITIAL / AFTER TEST)	INITIAL: 20N MAX., 5N MIN. (VERTICAL DIRECTION) AFTER TEST: 20N MAX., 3N MIN. (VERTICAL DIRECTION)
CRIMP STRENGTH	10N MIN.
PRODUCT SPECIFICATION	PRS-2676
TEST REPORT	TR-20043
INSTRUCTION MANUAL	HIM-19009
APPEARANCE CRITERIA No.	QLS-A***

Rev.4

Accessories for MHF® 7S plug



MHF 7 (S) PLUG SMA ADAPTER
PART NO. 91255-0001

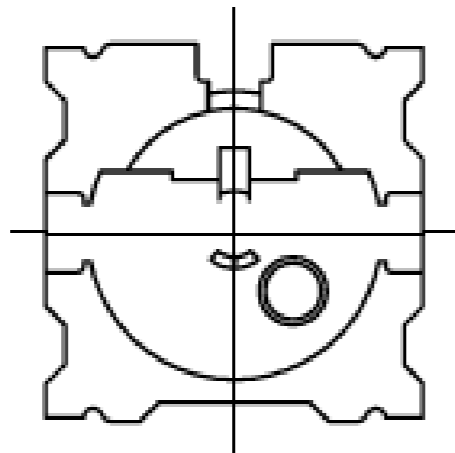
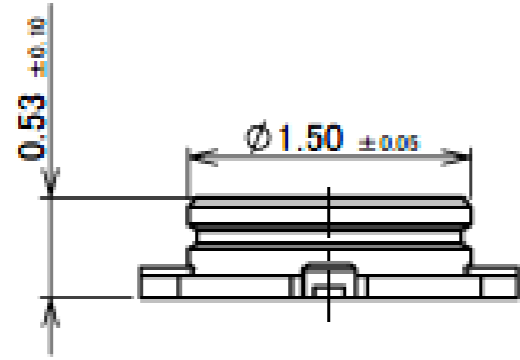
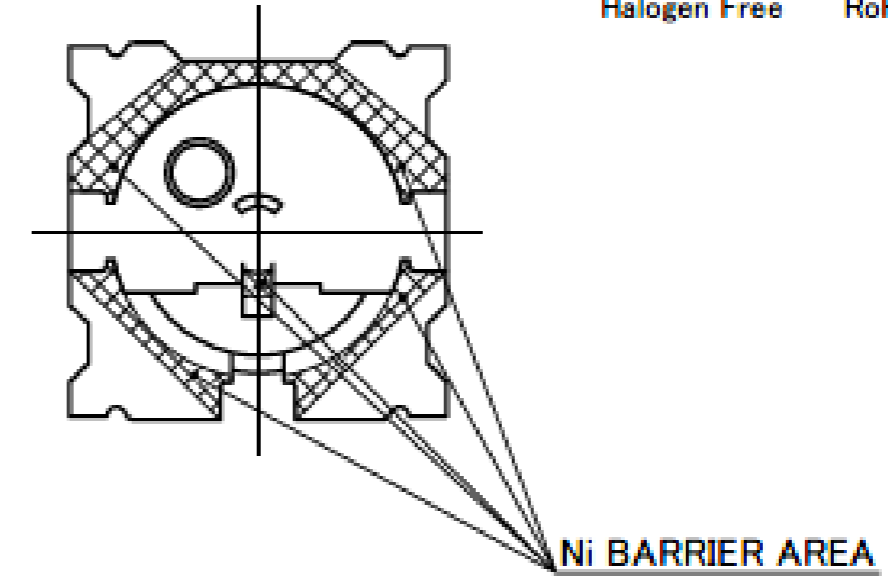
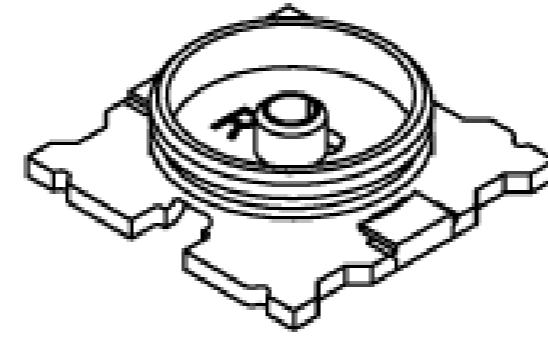
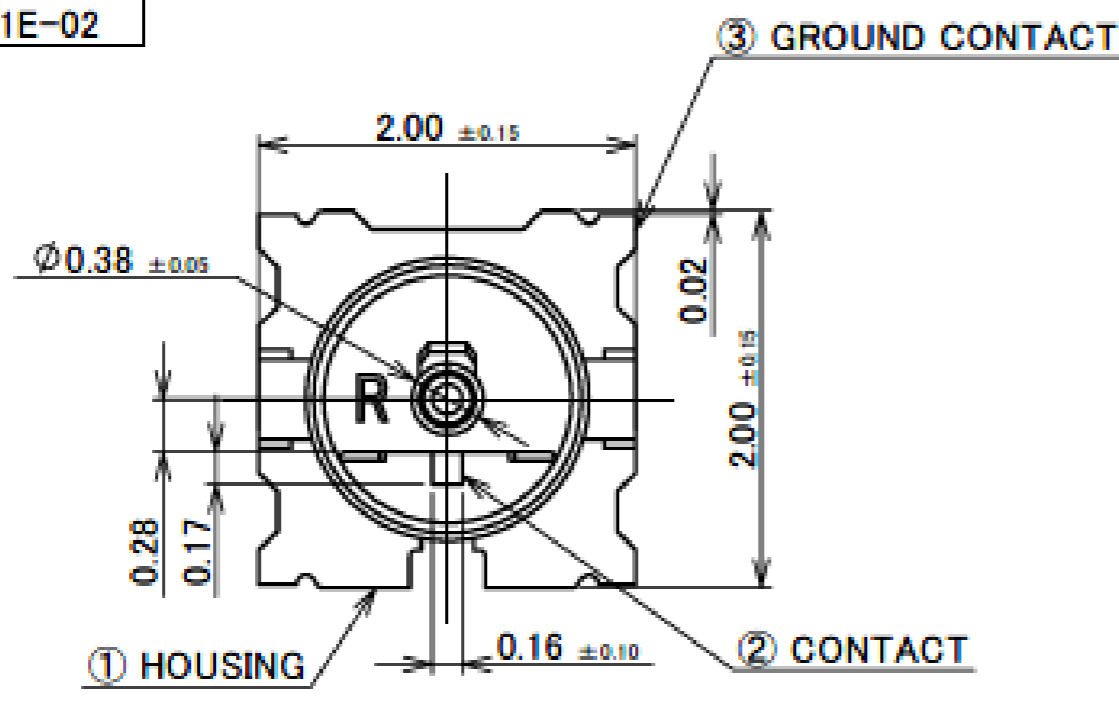
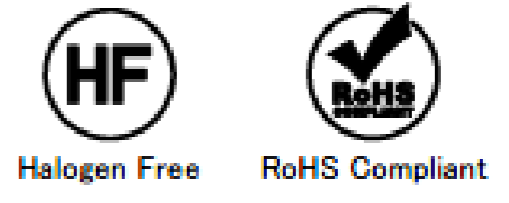


MHF 7S MATING AND UNMATING TOOL
PART NO. 91186-0001

Rev.4

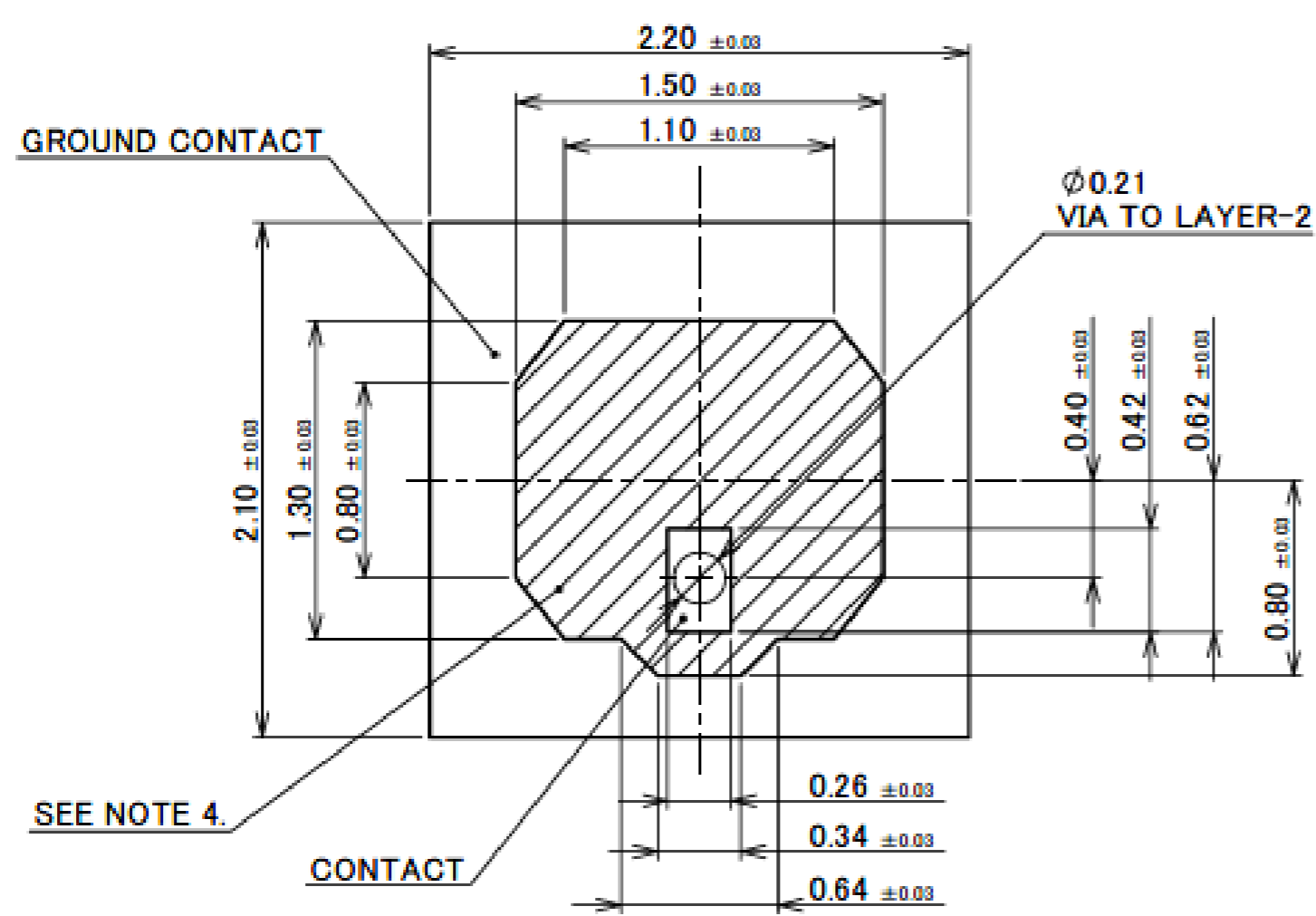
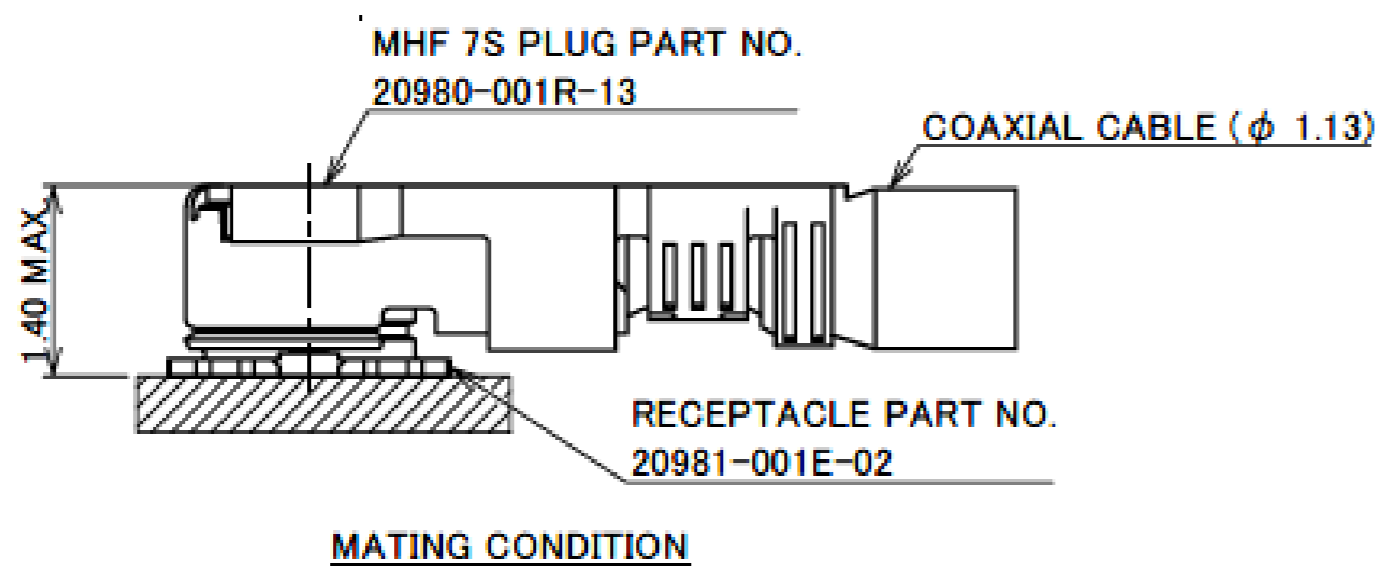
MHF[®] 7S Receptacle

Recommended P/N	20981-001E-02
PART NO.	20981-001E-02

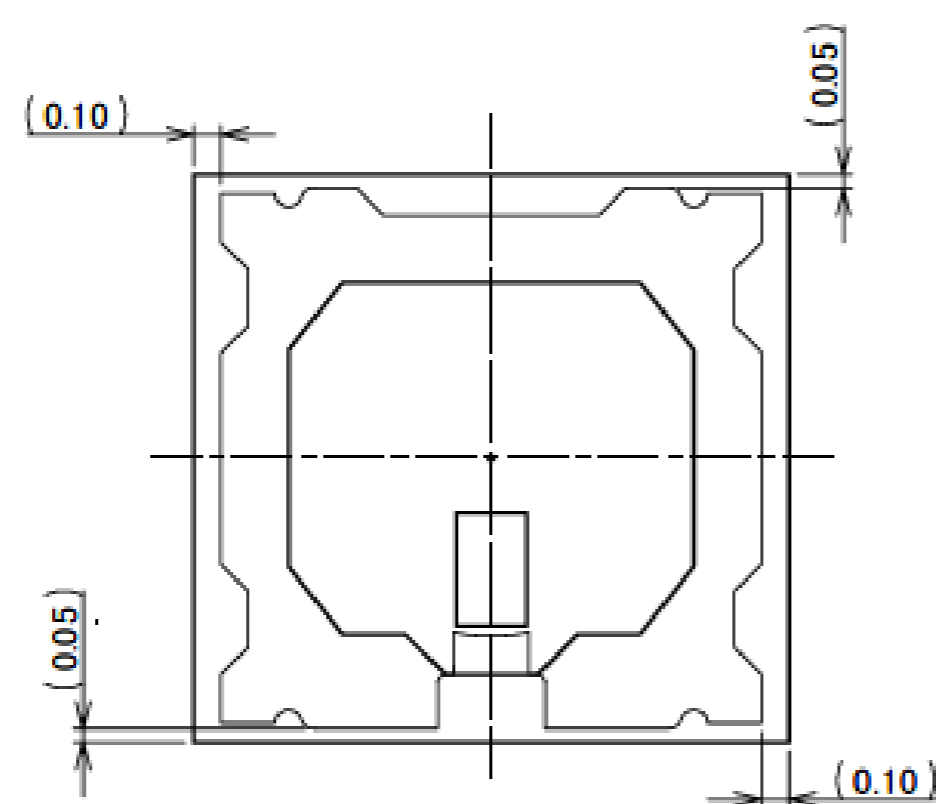


- NOTES
1. APPLICABLE CONNECTOR
20980-001R-13
 2. COPLANARITY: 0.08mm MAX.
 3. CHARACTERISTIC IMPEDANCE: 50Ω (NOMINAL VALUE)

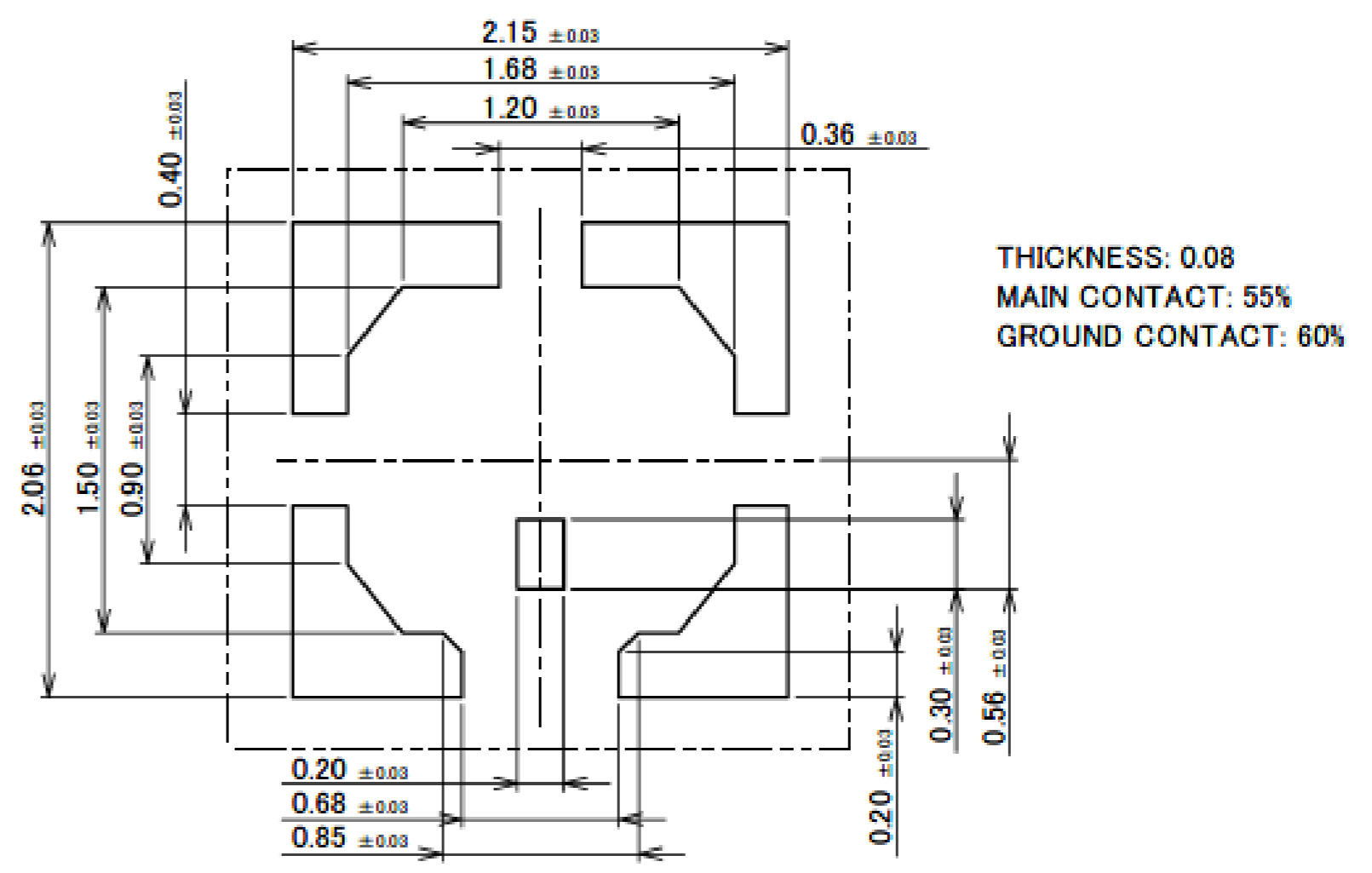
NO.	DESCRIPTION	MATERIAL	FINISH, REMARKS
3	GROUND CONTACT	PHOSPHOR BRONZE	ALL OVER: Ni 1.00 μm MIN. CONTACT PART: 0.05 μm MIN. SOLDERING PART Au AREA: 0.02 μm MIN.
2	CONTACT	CORSON ALLOY	ALL OVER: Ni 1.00 μm MIN. CONTACT PART: 0.1 μm MIN. SOLDERING PART Au AREA: 0.02 μm MIN.
1	HOUSING	LCP	UL94V-0, WHITE



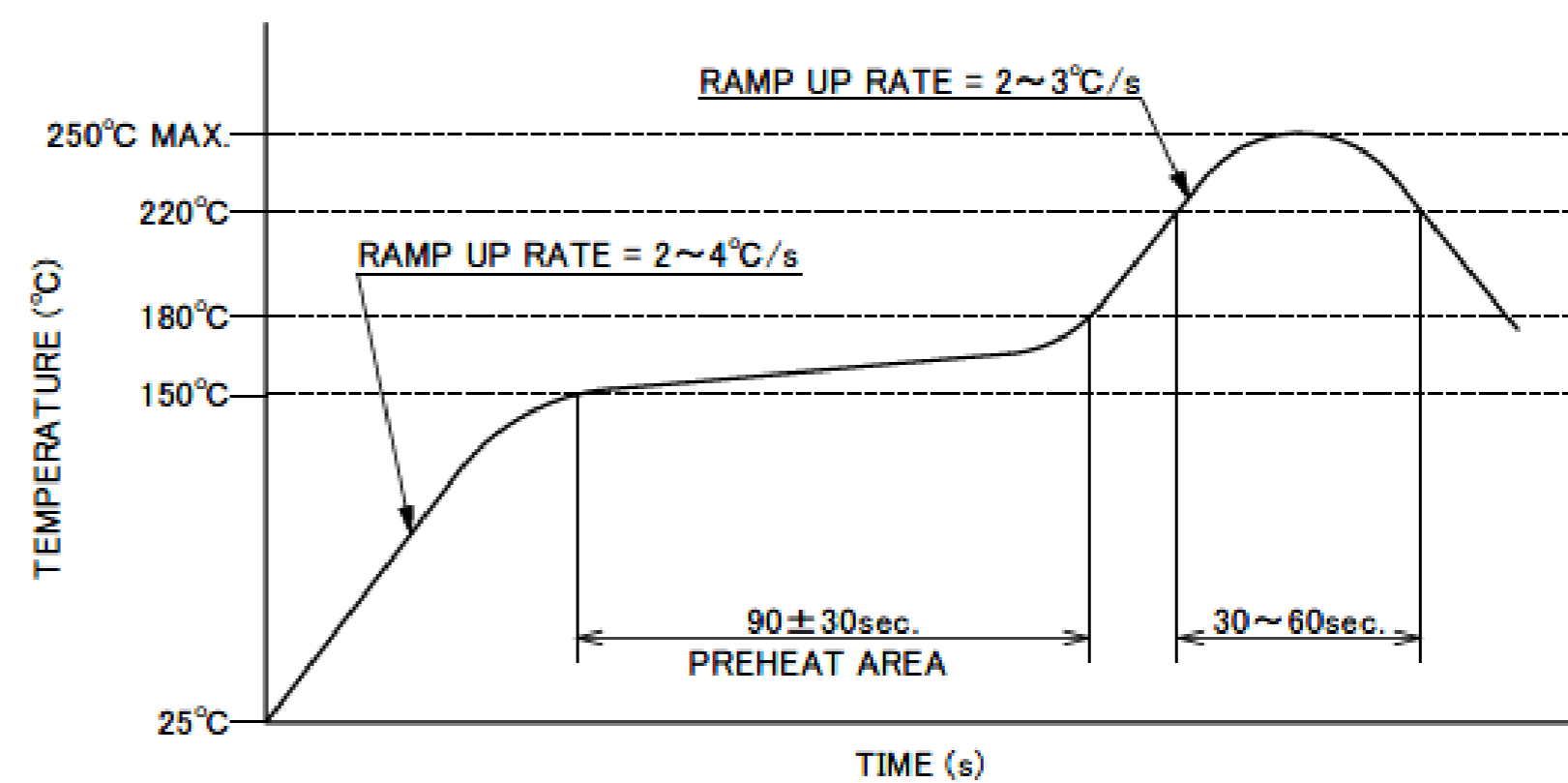
RECOMMENDED FOOTPRINT PATTERN



CONNECTOR ON RECOMMENDED FOOTPRINT PATTERN



METAL MASK



REFLOW TEMPERATURE PROFILE
SENJU METAL INDUSTRY CO., LTD. : M705-SHF(Sn96.5 Ag3.0 Cu0.5)

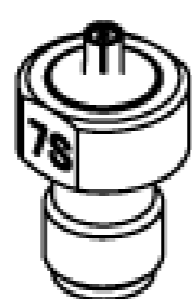
- NOTES
4. NO GROUND, SIGNAL, AND RESIST IN THIS AREA.

MHF® 7S Receptacle

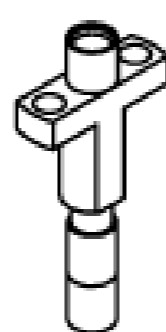
ITEMS	SPECIFICATION
APPLICABLE CONNECTOR PART No.	20980-001R-13
RATING VOLTAGE	60 V AC (R.M.S)/DC
RATING FREQUENCY	DC~15 GHz
OPERATING TEMPERATURE	233~363 K (-40°C~+90°C)
OPERATING HUMIDITY	90% MAX. (NON-CONDENSING)
CHARACTERISTIC IMPEDANCE	50 ohm (NOMINAL VALUE)
VSWR	1.30 MAX. AT 0.1 ~ 3 GHz, 1.35 MAX. AT 3 ~ 6 GHz, 1.40 MAX. AT 6 ~ 9 GHz, 1.45 MAX. AT 9 ~ 12 GHz, 1.50 MAX. AT 12 ~ 15 GHz
MAIN CONTACT RESISTANCE	INITIAL : 20 mohm MAX. / AFTER TEST : \leq 20 mohm MAX.
GROUND CONTACT RESISTANCE	INITIAL : 20 mohm MAX. / AFTER TEST : \leq 20 mohm MAX.
INSULATION RESISTANCE	INITIAL : 500 Mohm MIN. / AFTER TEST : 100 Mohm MIN.
DIELECTRIC WITHSTANDING VOLTAGE	AC200V 1min
DURABILITY	30 CYCLES
MATING FORCE (INITIAL / AFTER TEST)	INITIAL: 30N MAX. (VERTICAL DIRECTION) AFTER TEST: 30N MAX. (VERTICAL DIRECTION)
UNMATING FORCE (INITIAL / AFTER TEST)	INITIAL: 20N MAX., 5N MIN. (VERTICAL DIRECTION) AFTER TEST: 20N MAX., 3N MIN. (VERTICAL DIRECTION)
CRIMP STRENGTH	10N MIN.
PRODUCT SPECIFICATION	PRS-2676
TEST REPORT	TR-20043
PACKING STANDARD	PST-19094
INSTRUCTION MANUAL	HIM-19009
APPEARANCE CRITERIA No.	QLS-A***

Rev.5

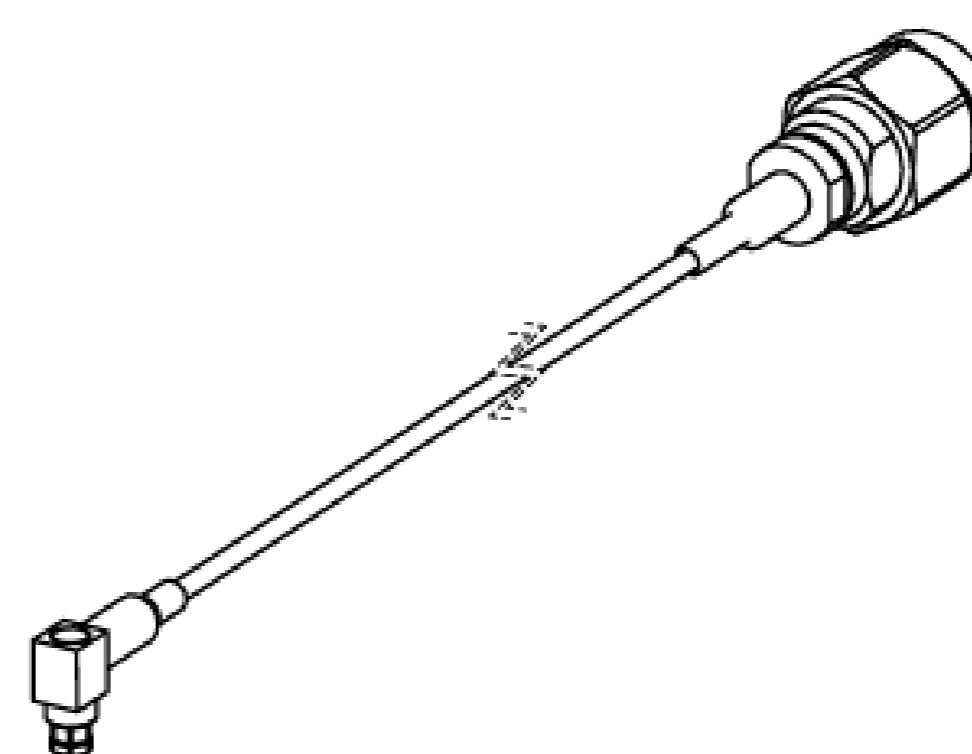
Accessories for MHF® 7S Receptacle



MHF 7S RECEPTACLE SMA ADAPTER
PART NO. 91256-0001



MHF 7S RECEPTACLE HIGH CYCLE N30 SMPM ADAPTER
PART NO. 91145-0001



MHF SERIES N30 SMPM TO SMA ADAPTER CABLE
PART NO. 91197-300*

* 91145-0001 AND 91197-300* SHOULD BE USED TOGETHER.

Rev.5

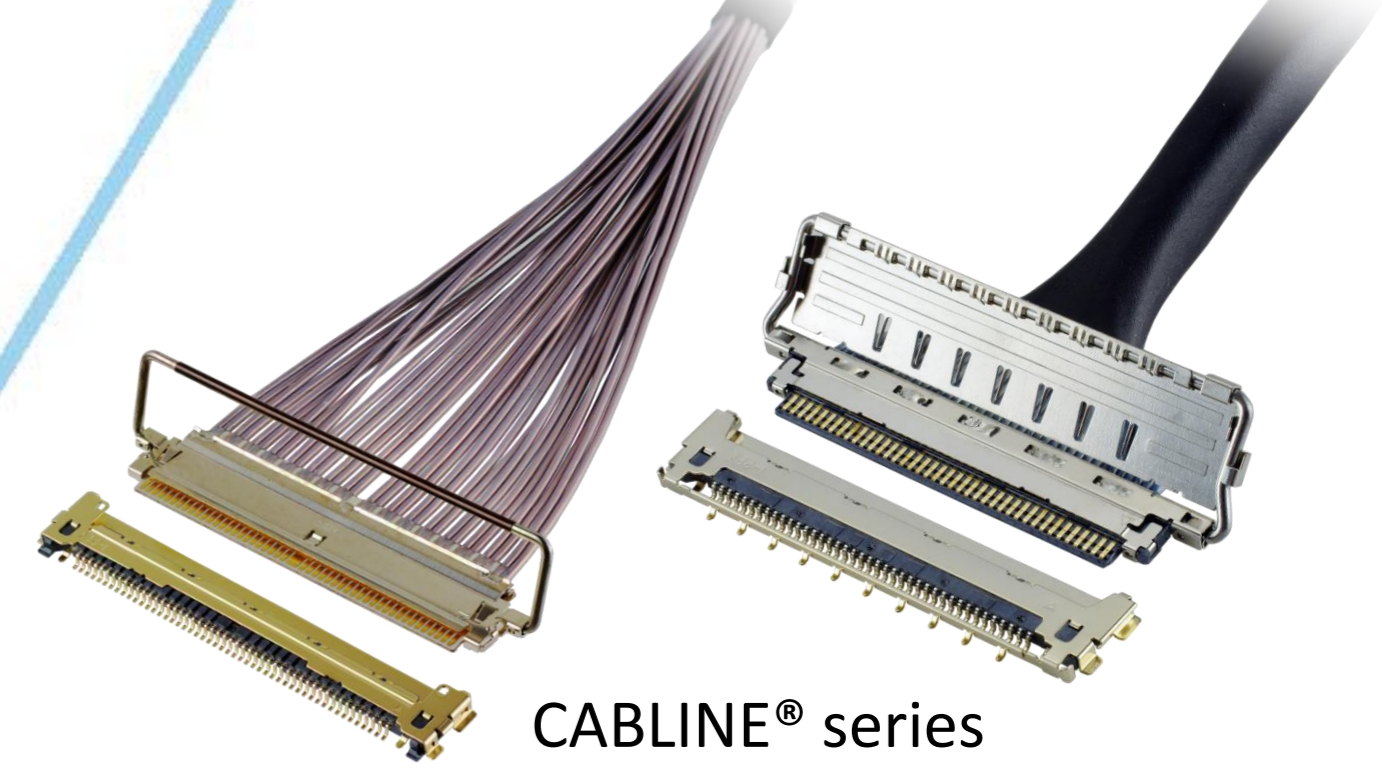
Custom Products Available

RF Connector

MHF® series



Micro-coaxial/Twinax/Discrete Wire Connector



CABLIN® series

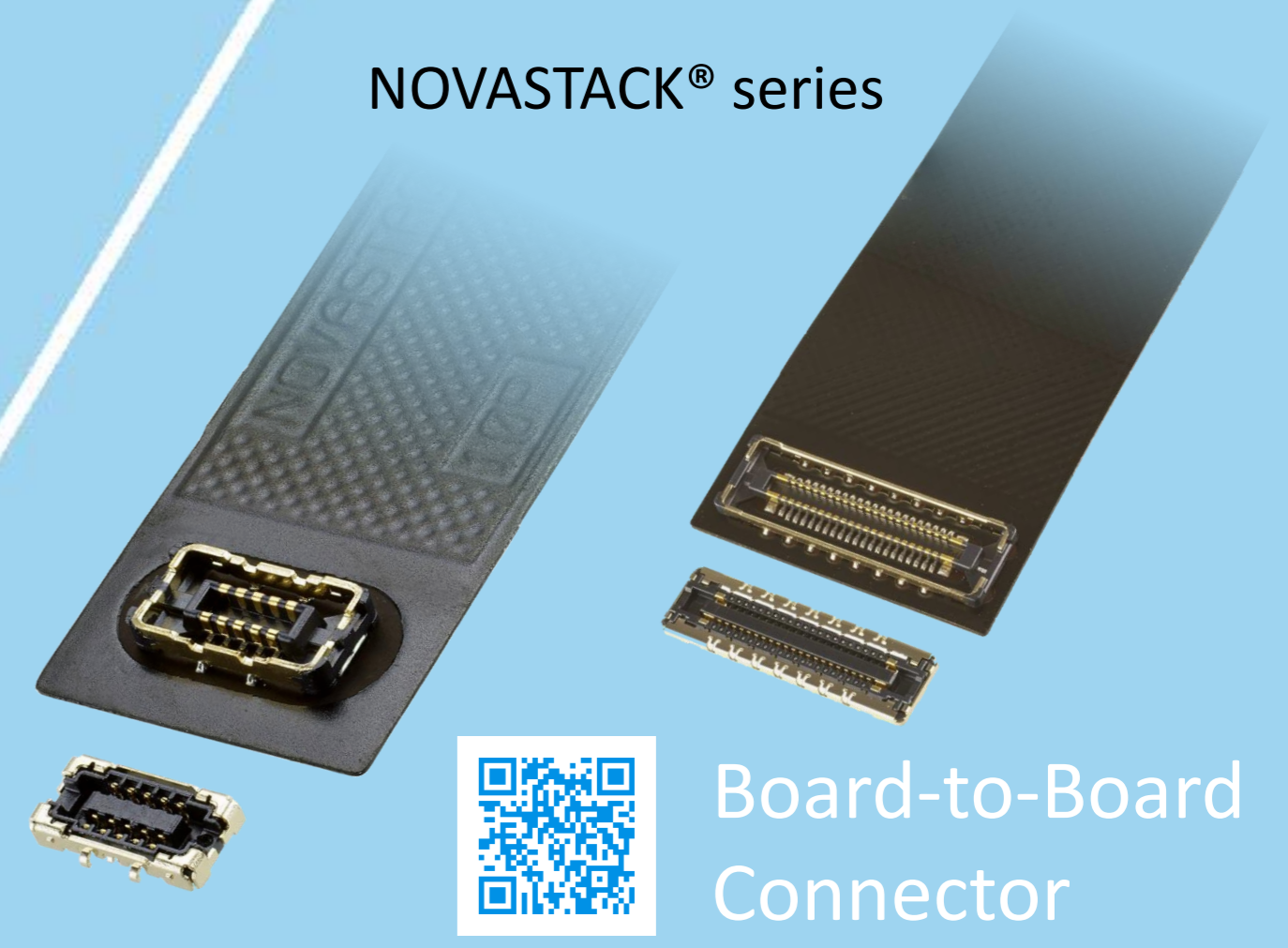


Optical Module

LIGHTPASS® series



NOVASTACK® series



Board-to-Board Connector



Power Connector/Terminal

AP series

ISH® series



MINIFLEX® series

EVAFLEX® series



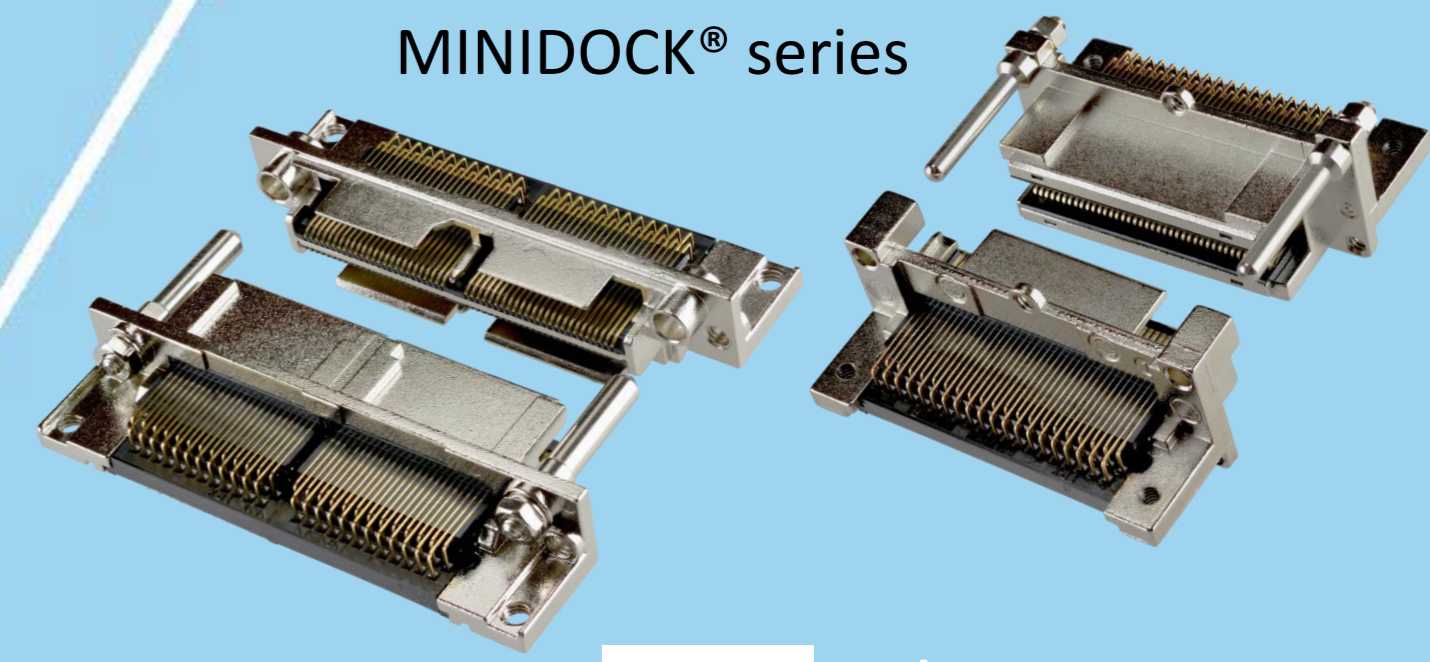
FPC FFC Connector



Inquiry



MINIDOCK® series



I/O Connector

I-PEX, MHF, CABLINE, LIGHTPASS, NOVASTACK, ISH, IARPB, MINIFLEX, EVAFLEX, MINIDOCKS and ZenShield are registered trademarks of I-PEX Inc. Please note that the contents in the catalog might be changed without prior notification. I-PEX Inc. assumes no responsibility for any inaccuracies or obligation to update information on these documents. Please be sure to read and understand the latest "Precautions for Use" and "Instruction Manual" before you use our products. We shall not be responsible for any defects, damages or troubles in case you use our products without following the precautions for use. Please feel free to contact our sales representatives when you use our products for any applications that require very high reliability and safety, or that relate to human life (ex. nuclear power control, aerospace, transportation, medical equipment, safety equipment etc.).

Contact your sales representative or more detailed information.

www.i-pex.com



I-PEX

© I-PEX Inc. 2024
All rights reserved