

MHF[®] 5L

提高的電氣性能，對應15 GHz，1.6 VSWR
組合高度 1.3 mm max.

Product Specifications:

Mated Height (mm max.)	1.3	
Rece. SMT Size (mm)	2.0 x 2.0	
Applicable Frequency	DC ~ 15 GHz	
Characteristic Impedance	50 ohm	
VSWR (L=100 mm)	DC~3 GHz	1.30 max.
	3~6 GHz	1.40 max.
	6~9 GHz	1.50 max.
	9~12 GHz	1.50 max.
	12~15 GHz	1.60 max.

Applicable Cable Size:

O.D. 1.13 mm / AWG 32
O.D. 0.81 mm / AWG 33

Applicable Standards (Reference Only):

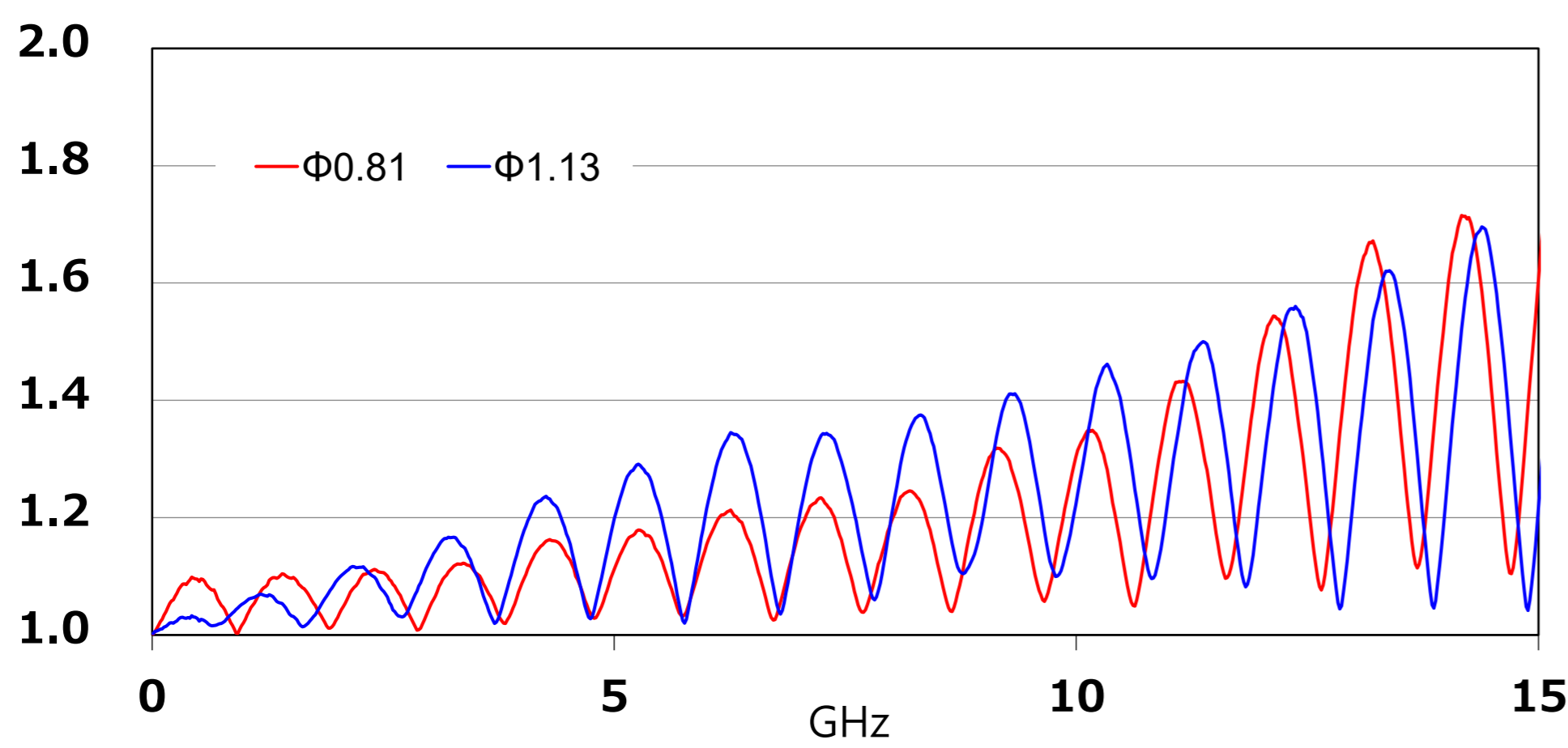
5G sub-6, Wi-Fi 6E, WiGig, LTE/LTE-Advanced, LPWA, Bluetooth, GPS



▶ 對應15 GHz 的高性能小型連接器

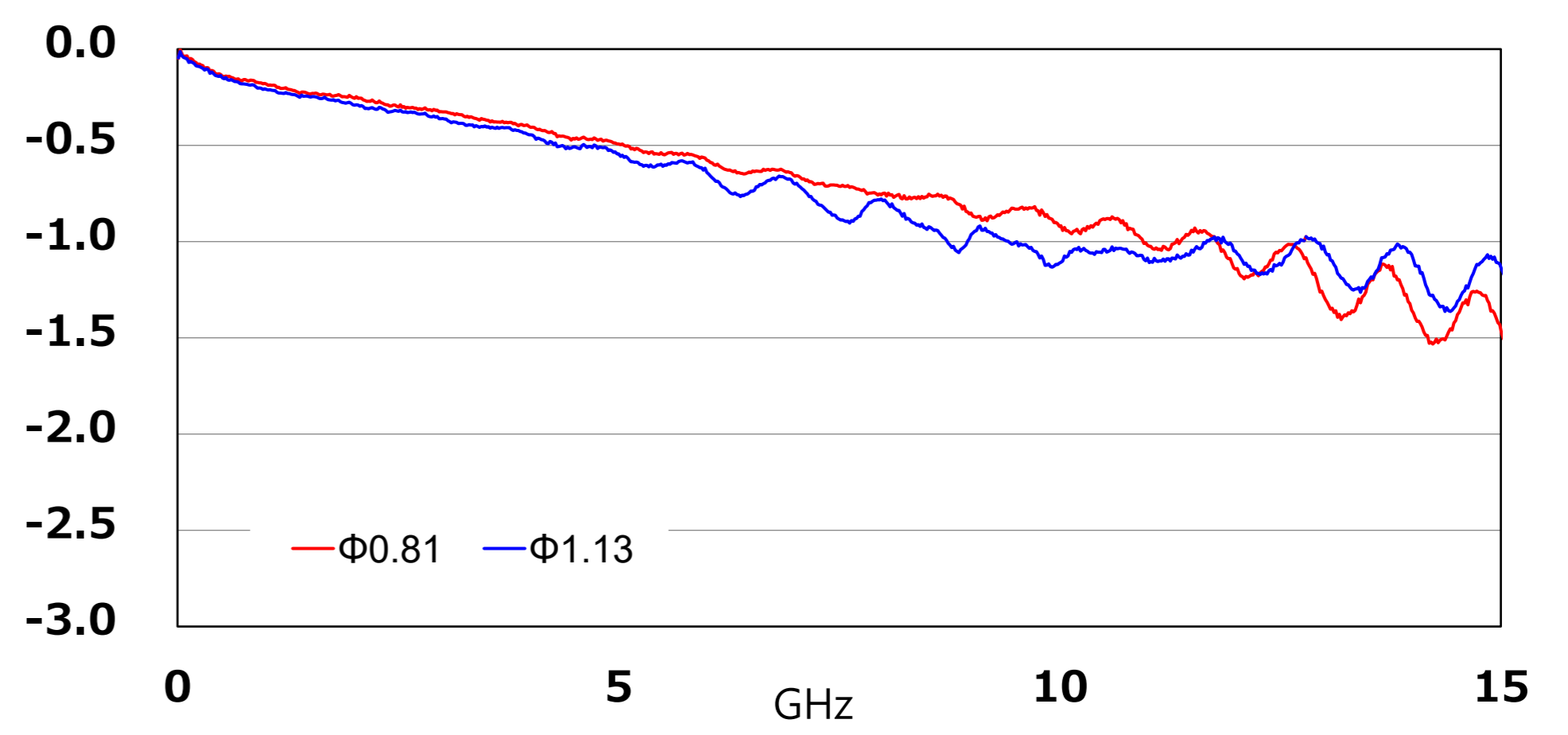
L=100 mm (線束)

電壓駐波比

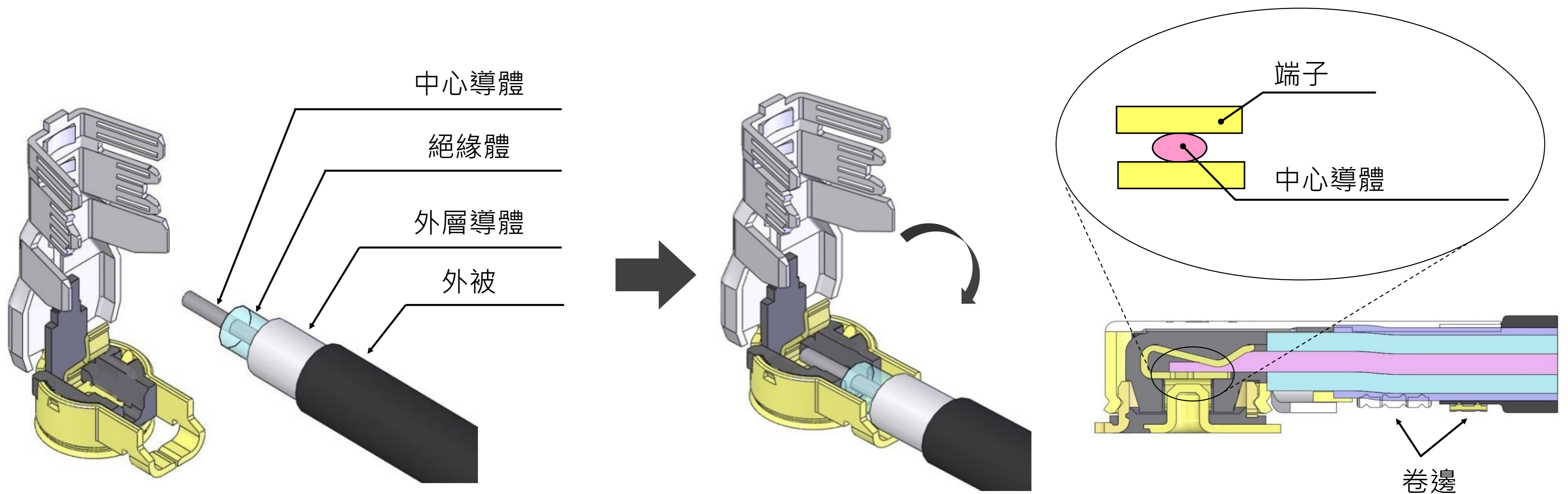


☺ L=100 mm (線束)

插入損耗



▶ 使用“i-Fit[®]”技術的無焊料極細同軸線終端



▶ 極細同軸線外徑 (AWG) : 1.13 mm (32), 0.81 mm (33)

Product name	MHF [®] 5	MHF [®] 5L
Mating Height	1.0 mm max.	1.3 mm max.
Coax O.D. (Center Conductor AWG)	1.13 mm (AWG#32)	●
	0.81 mm (AWG#33)	●
	0.81 mm (AWG#36)	●
	0.64 mm (AWG#36)	●
	0.48 mm (AWG#38)	●
Receptacle	MHF [®] 5 receptacle	

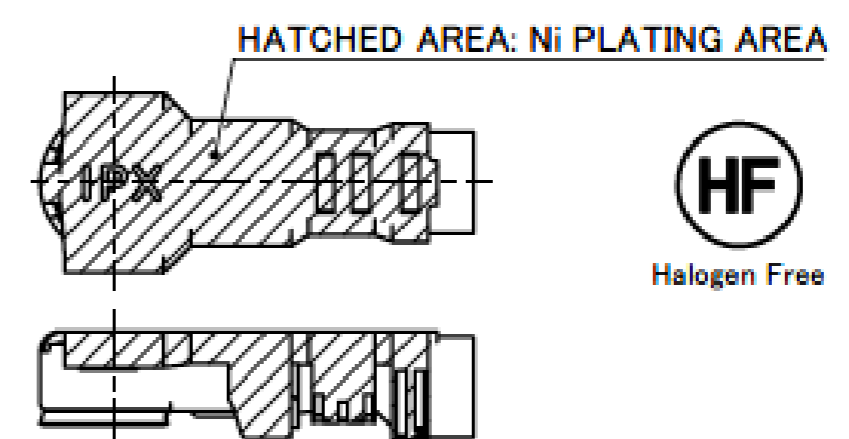
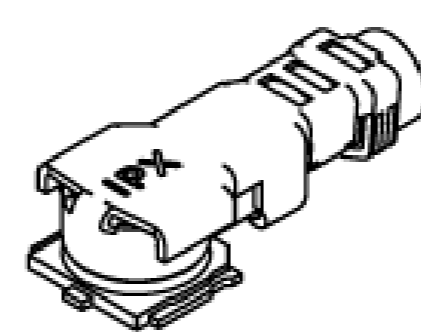
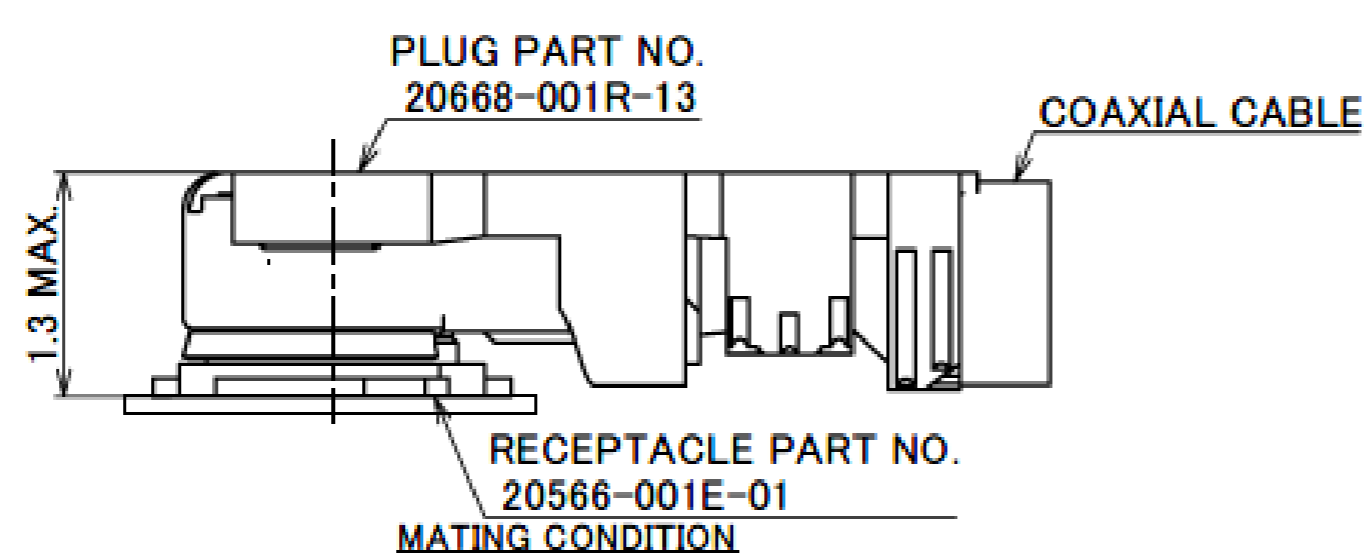
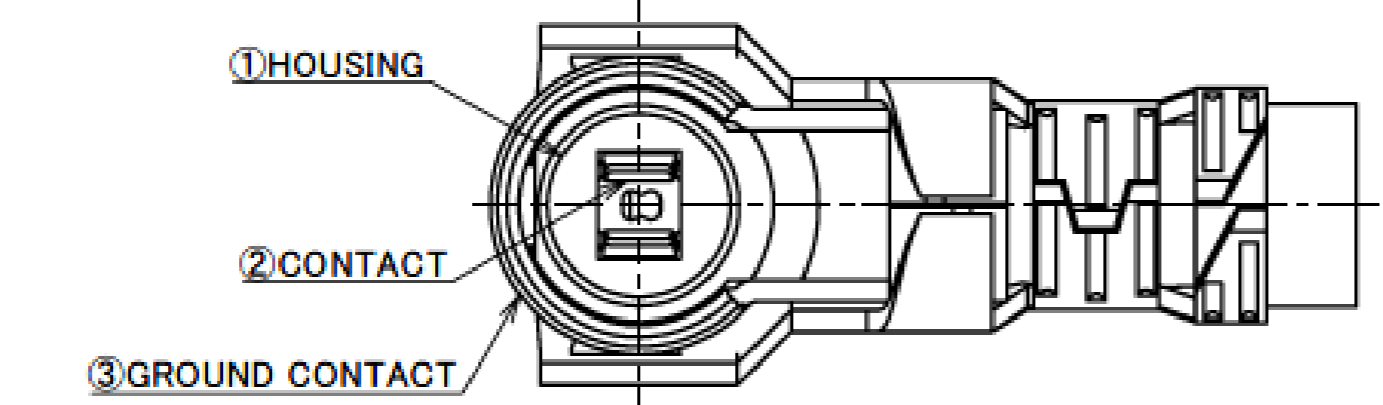
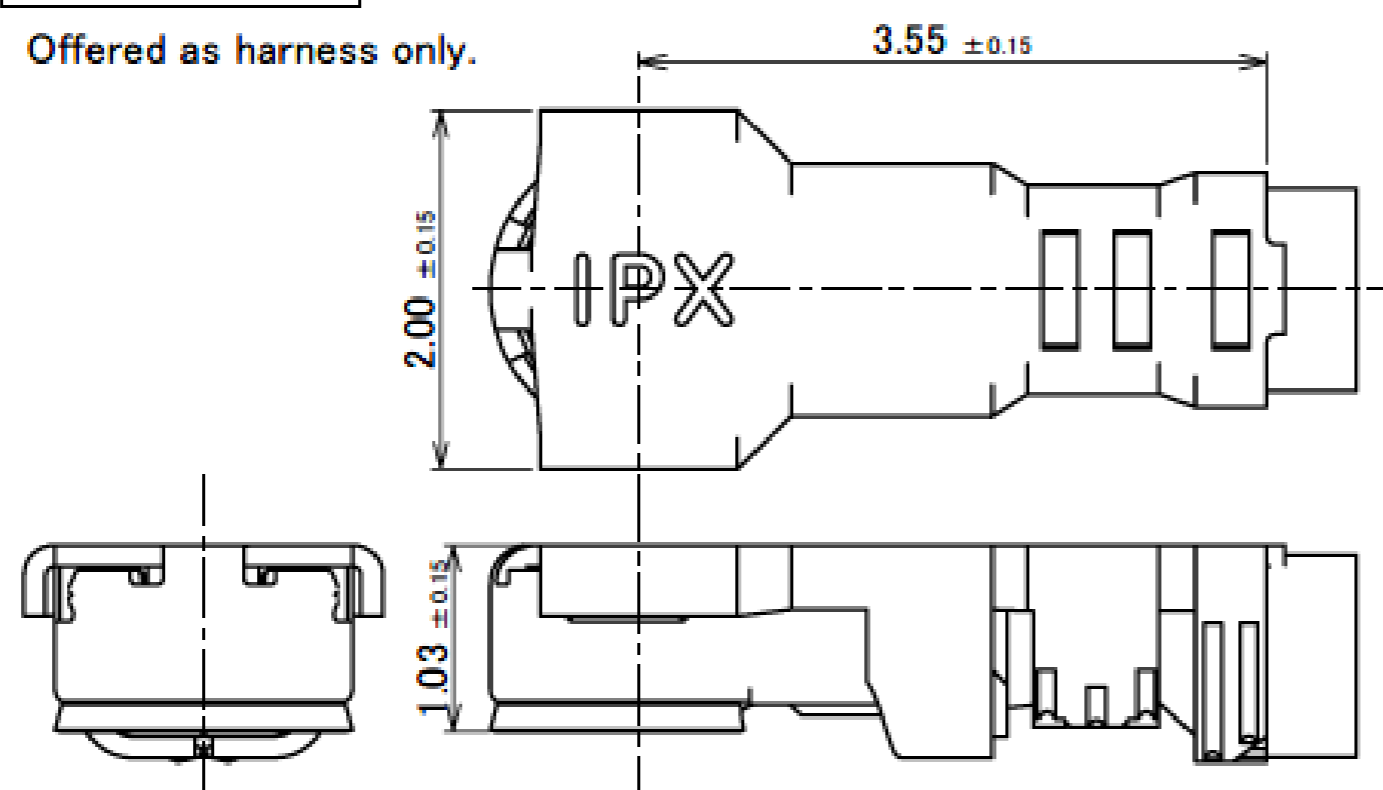
Component Parts Details

MHF[®] 5L plug Ni top (1.13)

Recommended P/N 20668-001R-13

PART No.
20668-001R-13

Offered as harness only.



HATCHED AREA: Ni PLATING AREA



Halogen Free RoHS Compliant

NOTES.

1. APPLICABLE CONNECTOR: 20566-001E-01
2. PERMISSIBLE LOAD OF CABLE AT MATING
3. MATING AND UNMATING INSTRUCTION

3-1. MATING

MATE THE CONNECTOR VERTICALLY AS MUCH AS POSSIBLE, ADJUSTING THE MATING AXIS OF PLUG AND RECEPTACLE. DO NOT SLANT MATE.

3-2. UNMATING

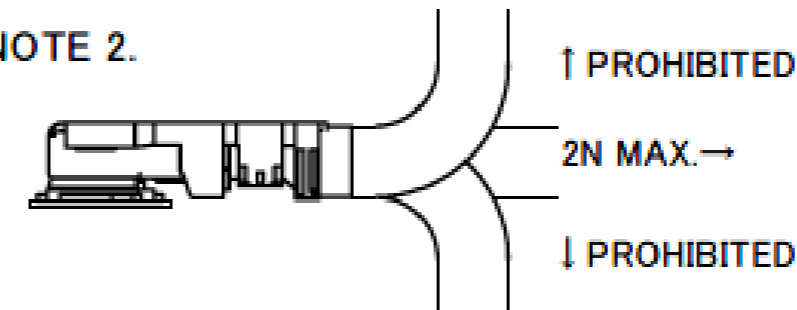
3-2-1. IN CASE OF UNMATING BY PULLING TOOL (PART NO. 90612-0001)

USE THE PULLING TOOL AS THE FOLLOWING DRAWING, AND PULL PLUG TO VERTICAL DIRECTION AS DIRECTLY AS POSSIBLE.

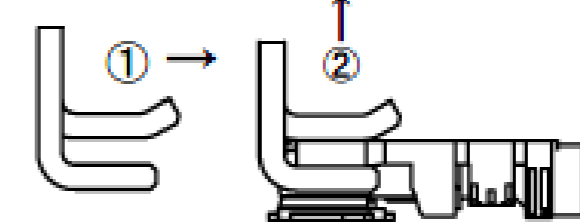
3-2-2. IN CASE OF UNMATING DIRECTLY BY HAND

CATCH THE CATCHING AREA OF PLUG, AND PULL PLUG TO VERTICAL DIRECTION AS DIRECTLY AS POSSIBLE.

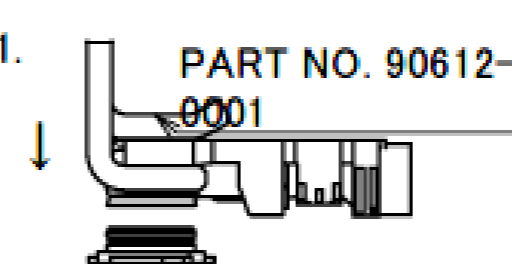
NOTE 2.



NOTE 3-2-1.



NOTE 3-1.



NOTE 3-2-2.



NO.	DESCRIPTION	MATERIAL	FINISH, REMARKS
3	GROUND CONTACT	PHOSPHOR BRONZE	ALL OVER Ni 1.00 μm MIN. CONTACT PART Au 0.05 μm MIN. [Ni PLATING AREA] Ni ONLY
2	CONTACT	PHOSPHOR BRONZE	ALL OVER Ni 1.00 μm MIN. CONTACT PART Au 0.05 μm MIN.
1	HOUSING	LCP	UL94V-0, BLACK (GF 30%)

MHF® 5L plug Ni top (1.13)

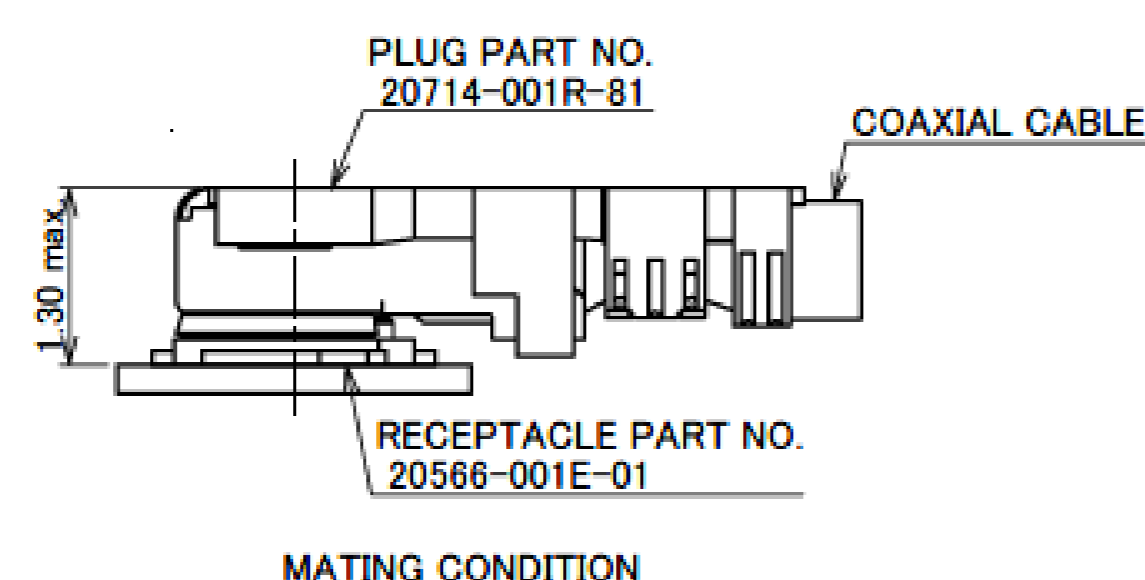
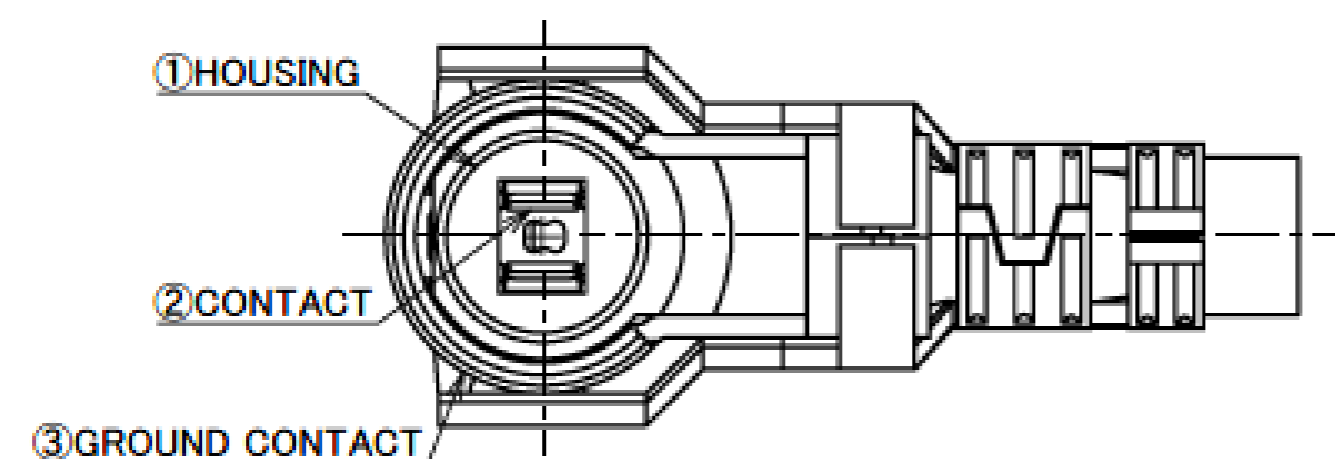
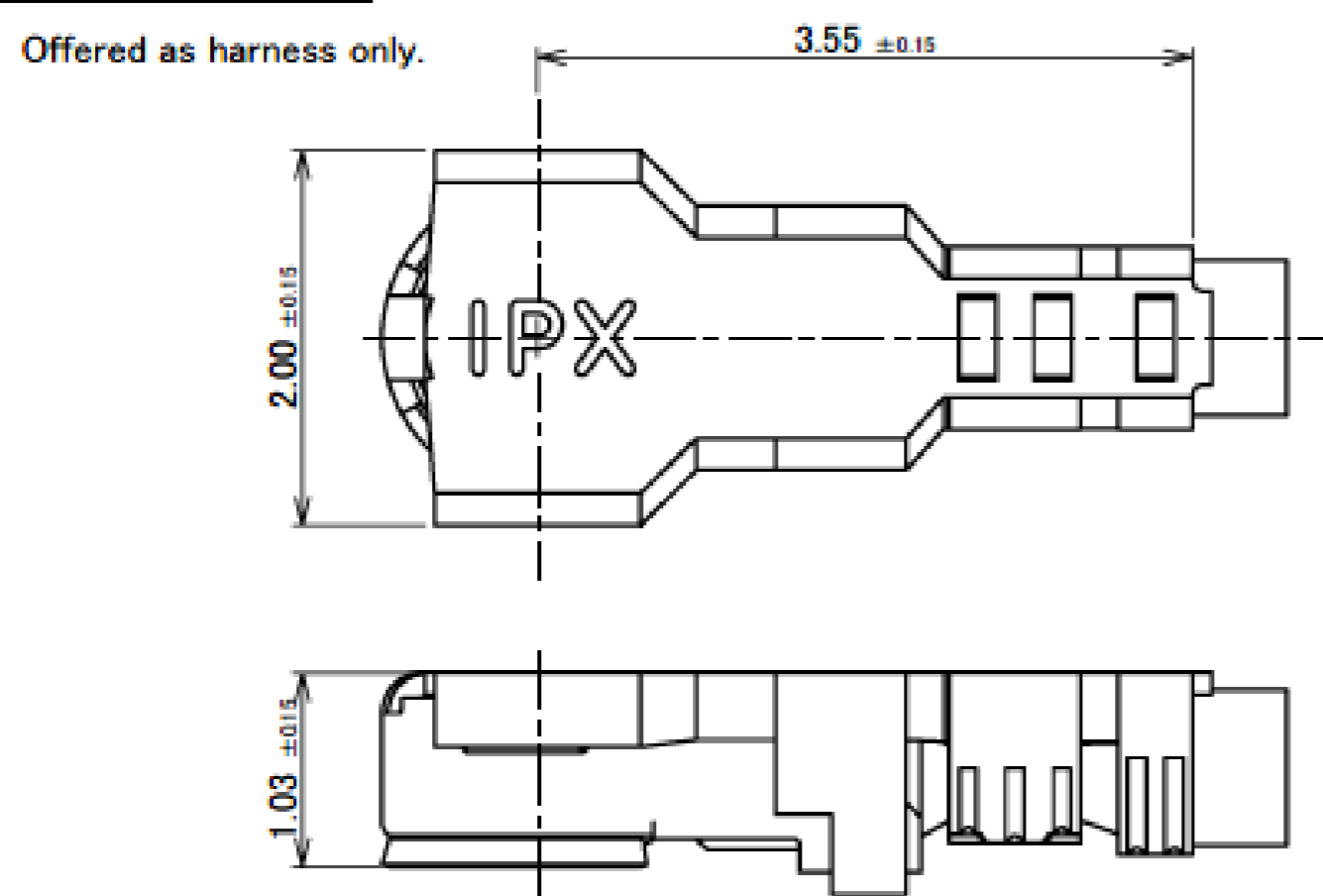
ITEMS	SPECIFICATION
RECOMMENDED APPLICABLE CONNECTOR PART No.	20566-001E-01
RATING VOLTAGE	60 V AC (R.M.S)
RATING FREQUENCY	DC~15 GHz
OPERATING TEMPERATURE	233~363K (-40°C~+90°C)
VSWR (MATED WITH SMA ADAPTER PART No. 90543-0001)	1.30 MAX. AT 0.1~3 GHz, 1.40 MAX. AT 3~6 GHz, 1.50 MAX. AT 6~12 GHz, 1.60 MAX. AT 12~15 GHz
MAIN CONTACT RESISTANCE	INITIAL: 20 mohm MAX. / AFTER TEST: Δ R 20 mohm MAX.
GROUND CONTACT RESISTANCE	INITIAL: 20 mohm MAX. / AFTER TEST: Δ R 100 mohm MAX.
INSULATION RESISTANCE	INITIAL: 500 Mohm MIN. / AFTER TEST: 100 Mohm MIN.
DIELECTRIC WITHSTANDING VOLTAGE	200 V AC, 1 MINUTE
DURABILITY	30 CYCLES
UNMATING FORCE (INITIAL / AFTER TEST)	INITIAL: 5 N MIN. / AFTER TEST: 3 N MIN.
CRIMP STRENGTH	10 N MIN.
PRODUCT SPECIFICATION	PRS-2192
TEST REPORT	TR-16003
INSTRUCTION MANUAL	HIM-16014
APPEARANCE CRITERIA No.	QLS-A***

Rev.4

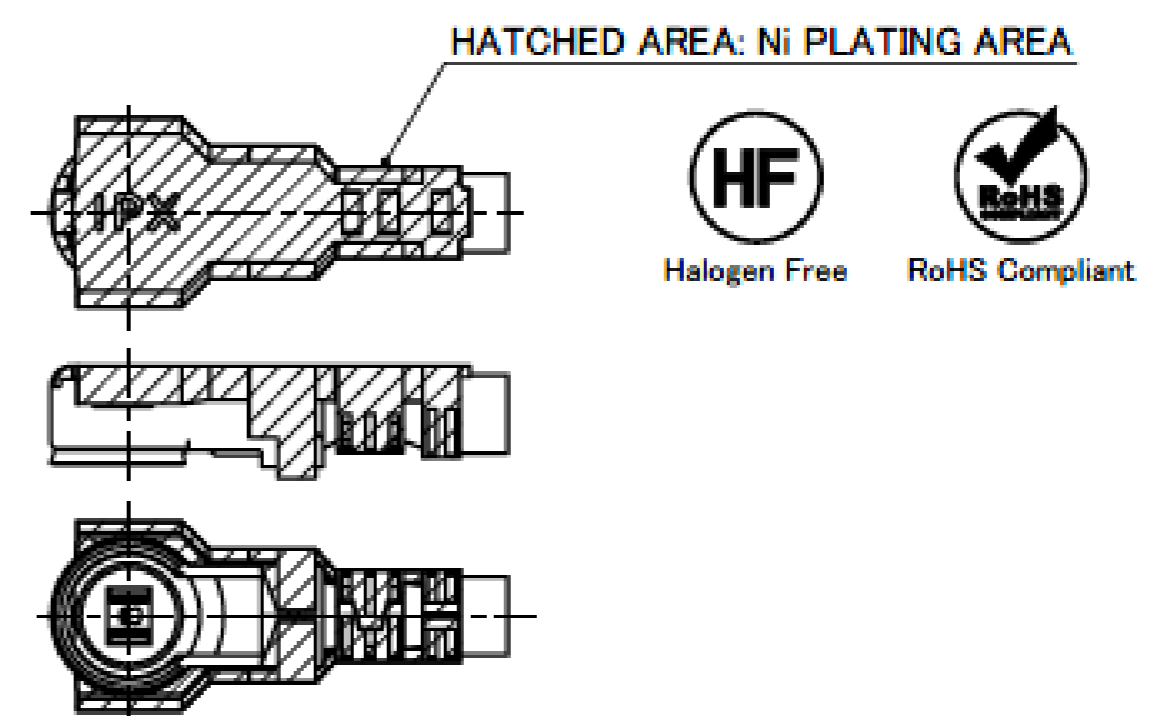
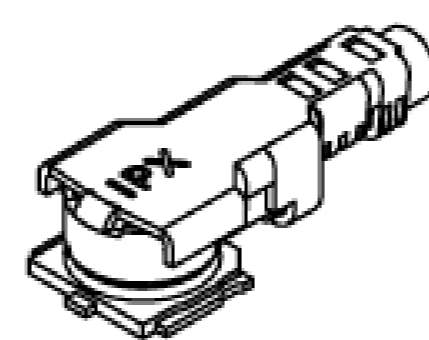
MHF® 5L plug Ni top (0.81)

Recommended P/N	20714-001R-81
PART No.	20714-001R-81

Offered as harness only.



MATING CONDITION



NOTES.

1. APPLICABLE CONNECTOR: 20566-001E-01
2. PERMISSIBLE LOAD OF CABLE AT MATING
3. MATING AND UNMATING INSTRUCTION

3-1. MATING

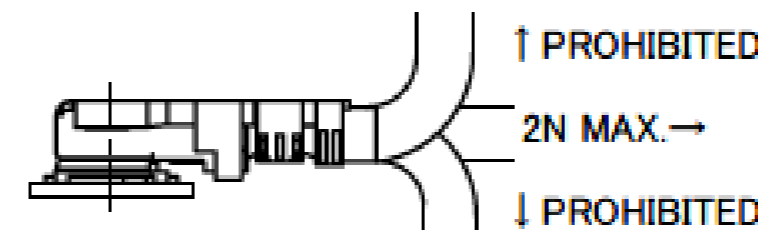
MATE THE CONNECTOR VERTICALLY AS MUCH AS POSSIBLE, ADJUSTING THE MATING AXIS OF PLUG AND RECEPTACLE. DO NOT SLANT MATE.

3-2. UNMATING

3-2-1. IN CASE OF UNMATING BY PULLING TOOL (PART NO. 90612-0001) USE THE PULLING TOOL AS THE FOLLOWING DRAWING, AND PULL PLUG TO VERTICAL DIRECTION AS DIRECTLY AS POSSIBLE.

3-2-2. IN CASE OF UNMATING DIRECTLY BY HAND CATCH THE CATCHING AREA OF PLUG, AND PULL PLUG TO VERTICAL DIRECTION AS DIRECTLY AS POSSIBLE.

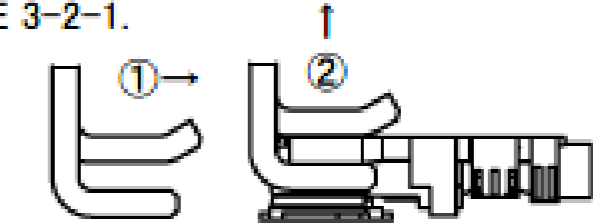
NOTE 2.



NOTE 3-1.



NOTE 3-2-1.



NOTE 3-2-2.



NO.	DESCRIPTION	MATERIAL	FINISH, REMARKS
3	GROUND CONTACT	PHOSPHOR BRONZE	ALL OVER Ni 1.00 μ m MIN. CONTACT PART Au 0.05 μ m MIN. [Ni PLATING AREA] Ni ONLY
2	CONTACT	PHOSPHOR BRONZE	ALL OVER Ni 1.00 μ m MIN. CONTACT PART Au 0.05 μ m MIN.
1	HOUSING	LCP	UL94V-0, BLACK (GF 30%)

Rev.4

MHF® 5L plug Ni top (0.81)

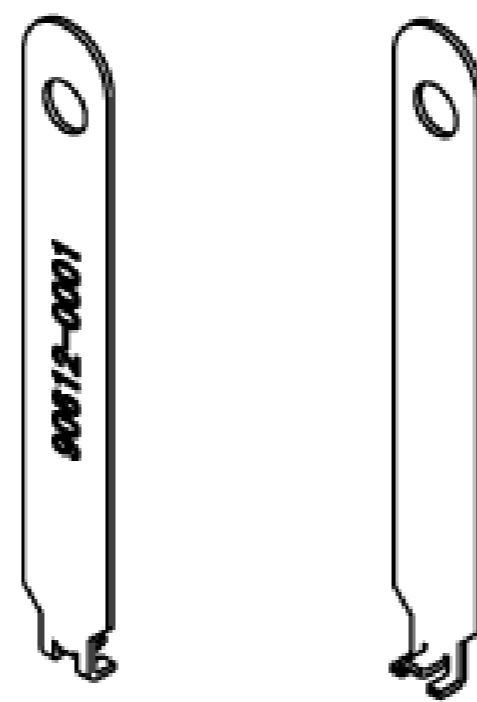
ITEMS	SPECIFICATION
RECOMMENDED APPLICABLE CONNECTOR PART No.	20566-001E-01
RATING VOLTAGE	60 V AC (R.M.S)
RATING FREQUENCY	DC ~ 15 GHz
OPERATING TEMPERATURE	233 ~ 363 K (-40°C ~ +90°C)
VSWR (MATED WITH SMA ADAPTER PART No. 90543-0001)	1.30 MAX. AT 0.1 ~ 3 GHz, 1.40 MAX. AT 3 ~ 6 GHz, 1.50 MAX. AT 6 ~ 12 GHz, 1.60 MAX. AT 12 ~ 15 GHz
MAIN CONTACT RESISTANCE	INITIAL: 20 mohm MAX. / AFTER TEST: Δ R 20 mohm MAX.
GROUND CONTACT RESISTANCE	INITIAL: 20 mohm MAX. / AFTER TEST: Δ R 100 mohm MAX.
INSULATION RESISTANCE	INITIAL: 500 Mohm MIN. / AFTER TEST: 100 Mohm MIN.
DIELECTRIC WITHSTANDING VOLTAGE	200 V AC, 1 MINUTE
DURABILITY	30 CYCLES
UNMATING FORCE (INITIAL / AFTER TEST)	INITIAL: 5 N MIN. / AFTER TEST: 3 N MIN.
CRIMP STRENGTH	10 N MIN.
PRODUCT SPECIFICATION	PRS-2236
TEST REPORT	TR-16049
INSTRUCTION MANUAL	HIM-16014
APPEARANCE CRITERIA No.	QLS-A***

Rev.4

Accessories for MHF® 5L plug Ni top

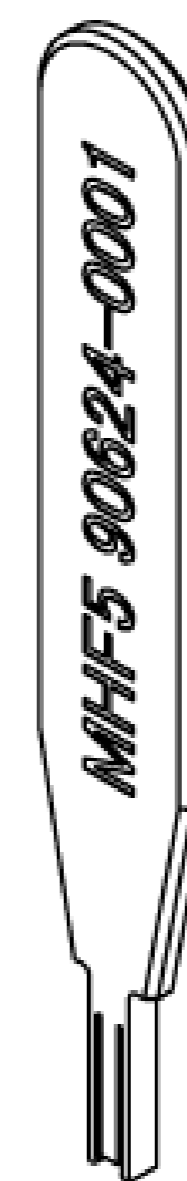


SMA ADAPTOR FOR MHF 5 PLUG
PART NO. 90543-0001



FRONT SIDE BACK SIDE

MHF 5 PUSHING AND PULLING TOOL
PART NO. 90612-0001

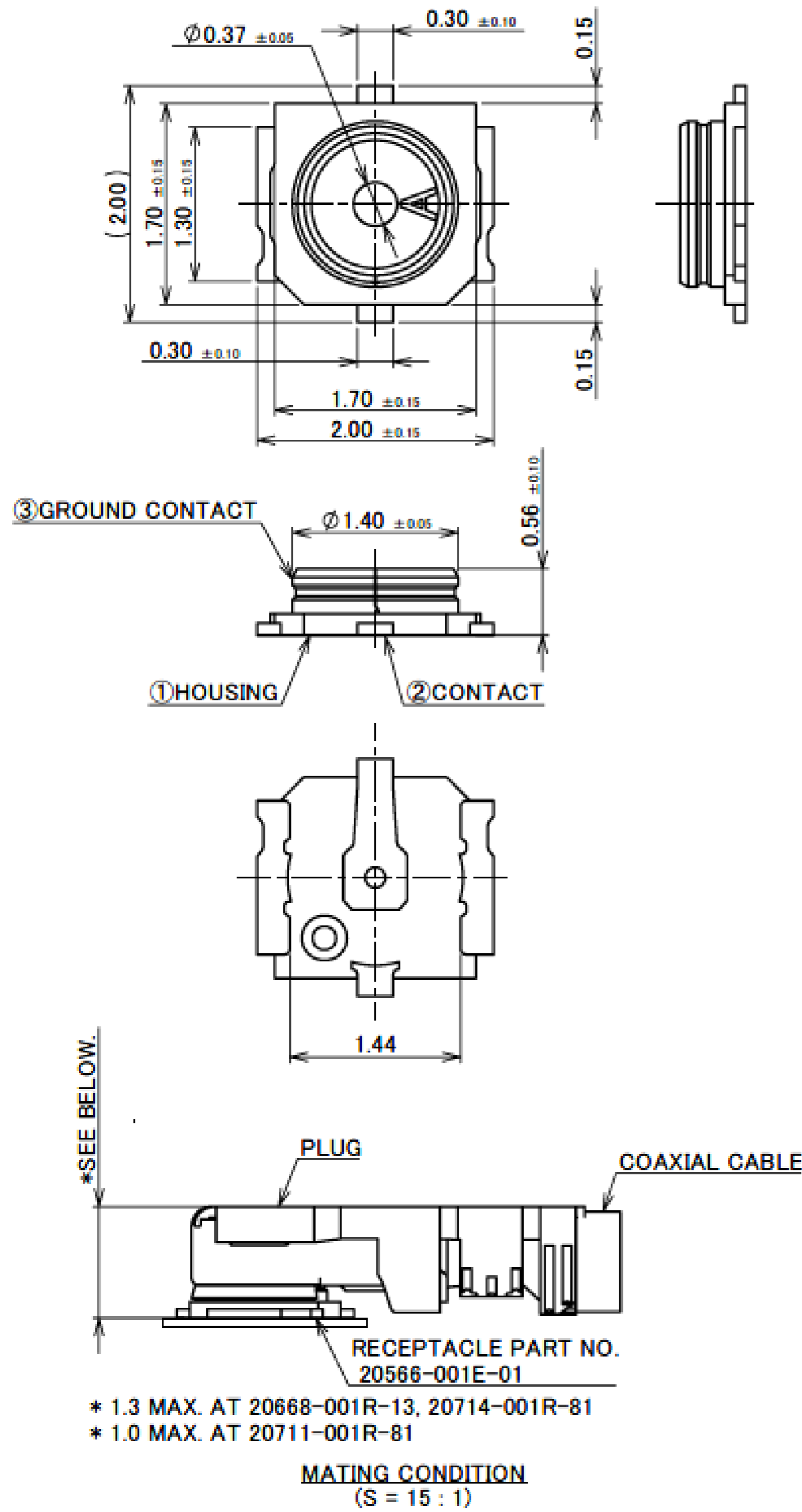


MHF 5 PUSHING TOOL
PART NO. 90624-0001

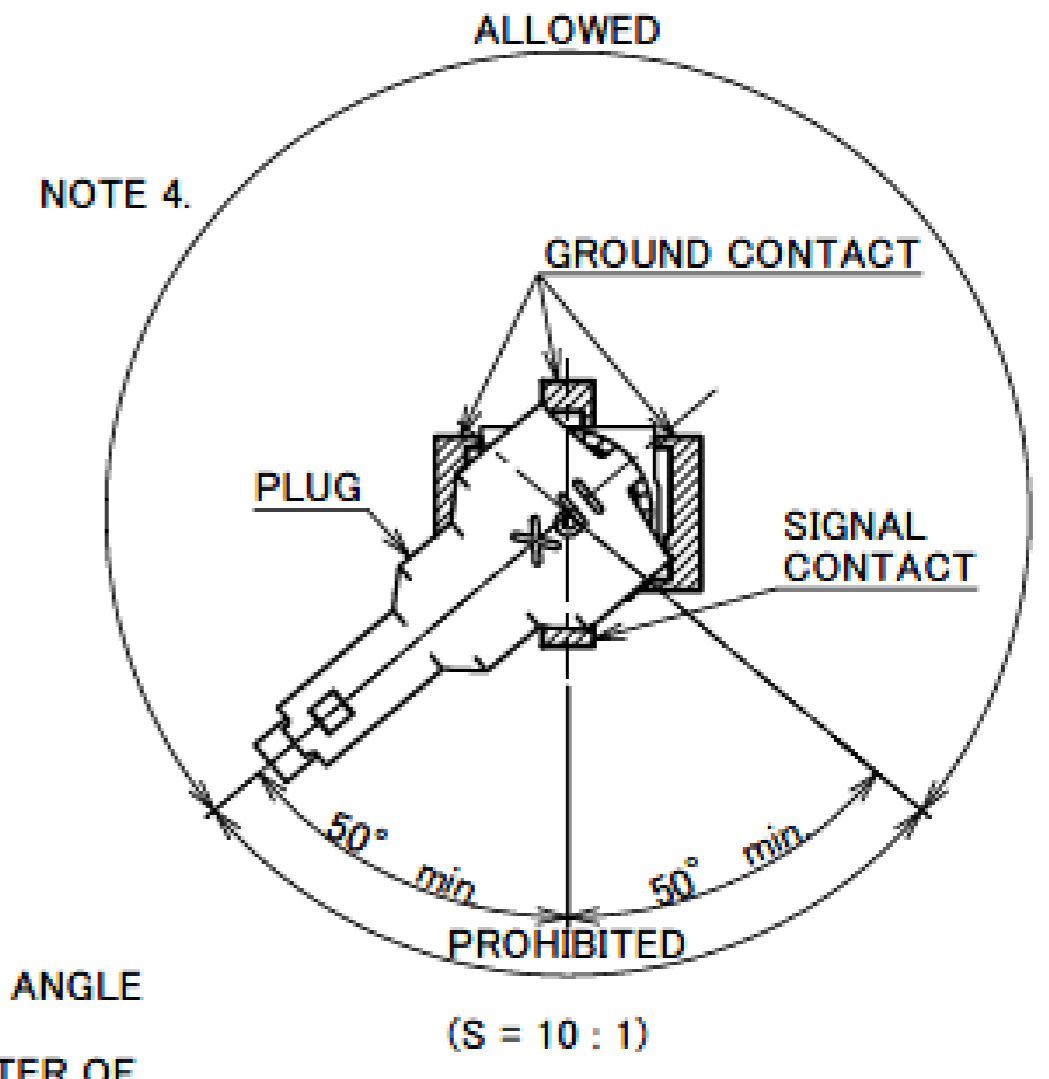
Rev.4

MHF[®] 5 Receptacle

Recommended P/N	20566-001E-01
PART NO.	20566-001E-01



- NOTES
1. APPLICABLE CONNECTOR
20567-001R-81
20615-00*R-48
20668-001R-13
20669-001R-81
20711-001R-81
20714-001R-81
 2. COPLANARITY: 0.1mm MAX.
 3. THIS IS "Pb-FREE" CONNECTOR.
 4. PRECAUTIONS FOR CABLE POSITION
[PART NO. 20567-001R-81, 20615-00*R-48]
THE PLUG SHALL NOT BE PLACED WITHIN 50 DEGREES ANGLE FROM CENTER OF THE SIGNAL CONTACT.
TILT THE PLUG AT LEAST 50 DEGREES FROM THE CENTER OF A SIGNAL CONTACT.

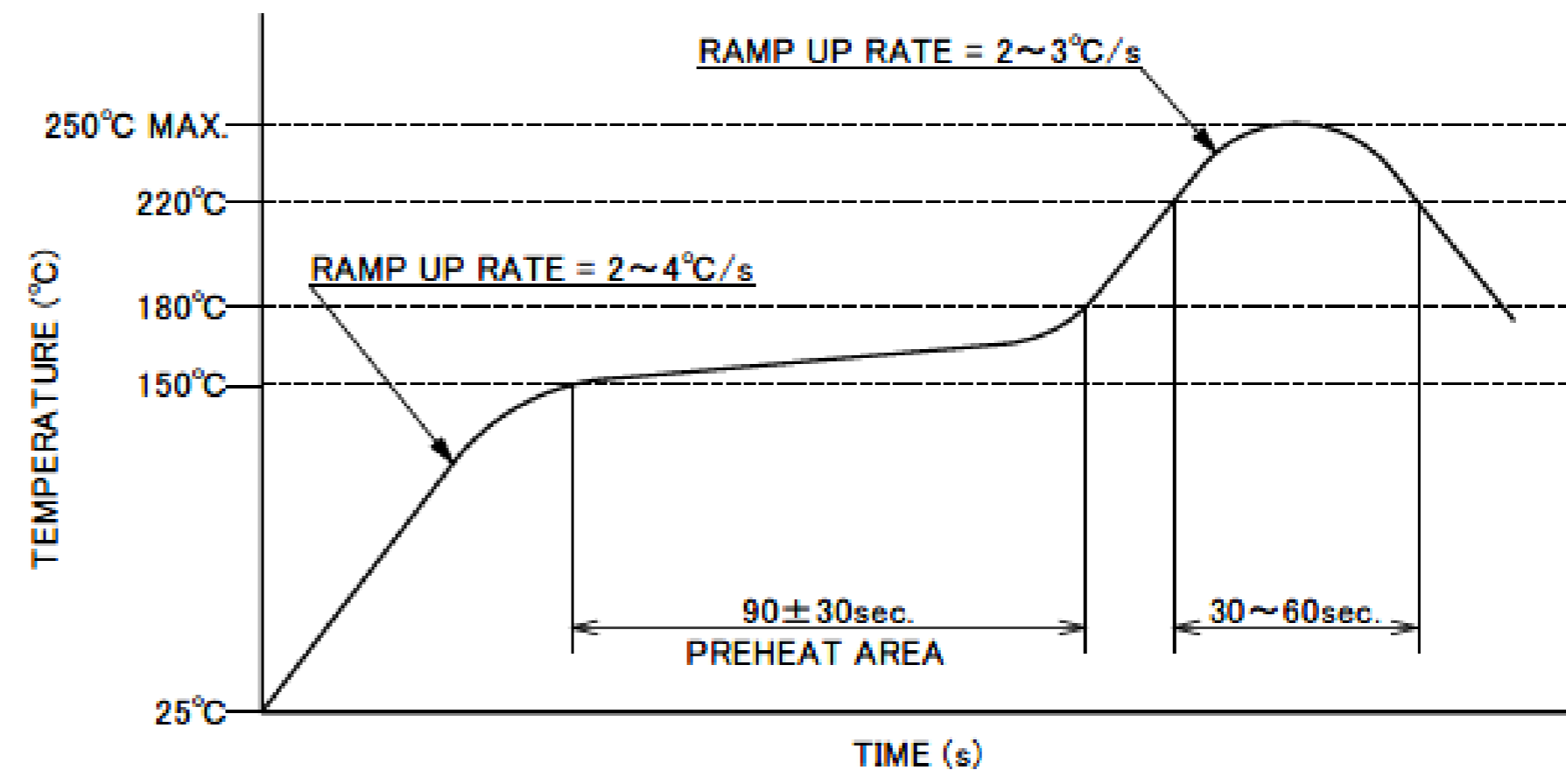
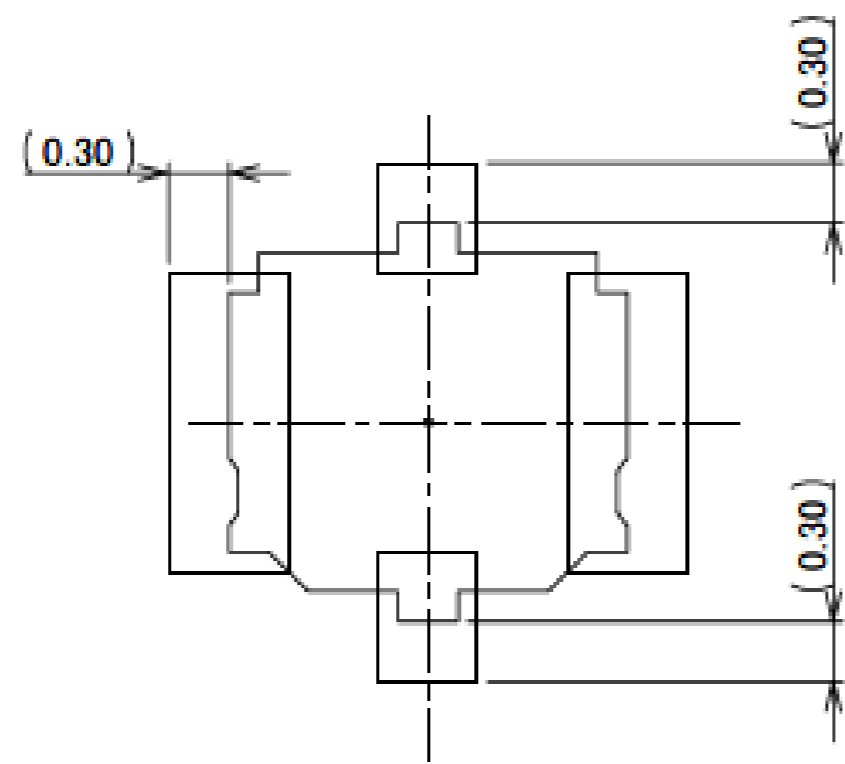
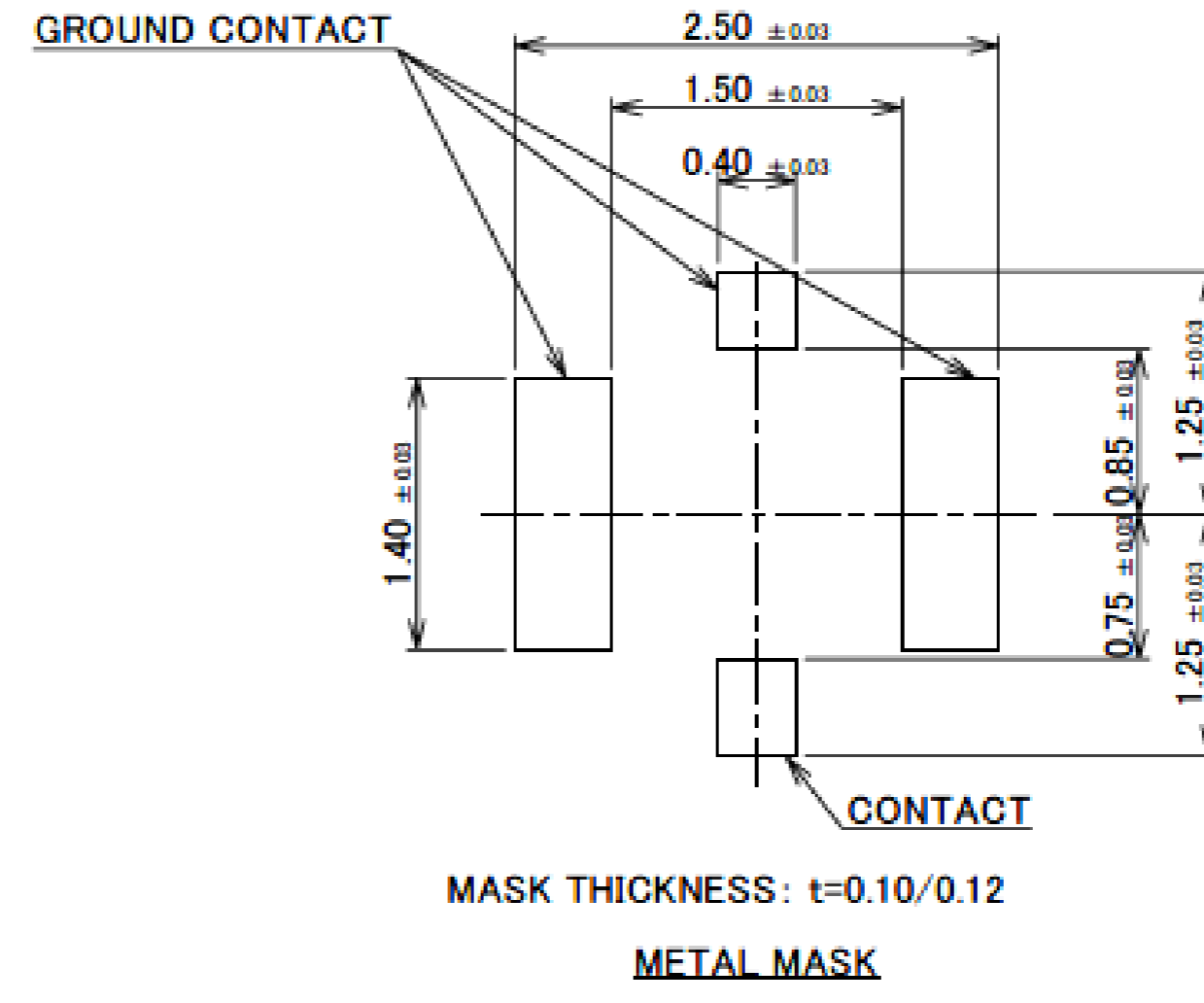
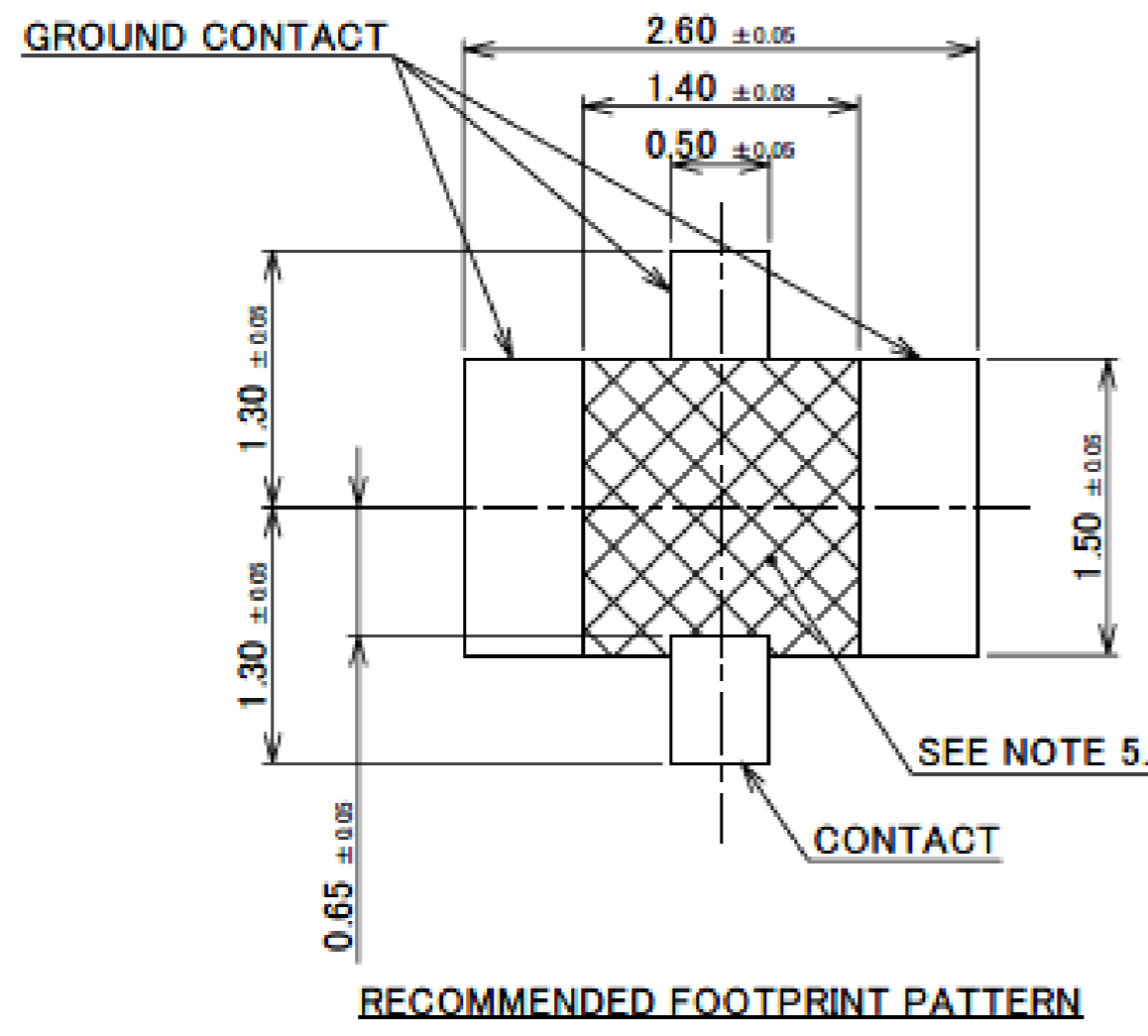


NO.	DESCRIPTION	MATERIAL	FINISH, REMARKS
3	GROUND CONTACT	PHOSPHOR BRONZE	ALL OVER Ni 1.00 μ m MIN. CONTACT PART Au 0.01 μ m MIN. UNDER PLATE Pd-Ni 0.02 μ m MIN. SOLDERING PART Au 0.01 μ m MIN. UNDER PLATE Pd-Ni 0.02 μ m MIN.
2	CONTACT	BRASS	ALL OVER Ni 1.00 μ m MIN. CONTACT PART Au 0.1 μ m MIN. SOLDERING PART Au 0.03 μ m MIN.
1	HOUSING	LCP	UL94V-0, BLACK

Rev.9

ITEMS	SPECIFICATION				
RECOMMENDED APPLICABLE CONNECTOR PART No.	20668-001R-13	20711-001R-81 (CABLE AWG#36 ϕ 0.81)	20714-001R-81	20711-001R-81 (CABLE AWG#36 ϕ 0.64)	20615-001R-48 (ALL Au PLATING TYPE)
RATING VOLTAGE	60 V AC (R.M.S)				
RATING FREQUENCY	DC~15 GHz				
OPERATING TEMPERATURE	233~363 K (-40°C~+90°C)				
VSWR (MATED WITH SMA ADAPTER PART No. 90543-0001)	1.30 MAX. AT 0.1~3 GHz, 1.40 MAX. AT 3~6 GHz, 1.50 MAX. AT 6~12 GHz, 1.65 MAX. AT 12~15 GHz				
MAIN CONTACT RESISTANCE	INITIAL: 20 mohm MAX. / AFTER TEST: Δ R 20 mohm MAX.				
GROUND CONTACT RESISTANCE	INITIAL: 20 mohm MAX. / AFTER TEST: Δ R 100 mohm MAX.				INITIAL: 20 mohm MAX. / AFTER TEST: Δ R 20 mohm MAX.
INSULATION RESISTANCE	INITIAL: 500 Mohm MIN. / AFTER TEST: 100 Mohm MIN.				
DIELECTRIC WITHSTANDING VOLTAGE	200 V AC, 1 MINUTE				
DURABILITY	30 CYCLES				
UNMATING FORCE (INITIAL / AFTER TEST)	INITIAL: 5 N MIN. AFTER TEST: 3 N MIN.	INITIAL: 4 N MIN. AFTER TEST: 2 N MIN.	INITIAL: 5 N MIN. AFTER TEST: 3 N MIN.	INITIAL: 4 N MIN. AFTER TEST: 2 N MIN.	INITIAL: 4 N MIN. AFTER TEST: 2 N MIN.
PRODUCT SPECIFICATION	PRS-2192	PRS-2108	PRS-2236	PRS-2109	PRS-1939
TEST REPORT	TR-16003	TR-15062	TR-16049	TR-15063	TR-14026
PACKING STANDARD	PST-12036				
INSTRUCTION MANUAL	HIM-16014	HIM-16013	HIM-16014	HIM-16013	HIM-13003
APPEARANCE CRITERIA No.	QLS-A***				

MHF[®] 5 Receptacle



NOTES.
5. NO GROUND, SIGNAL, AND RESIST IN THIS AREA.

Rev.9

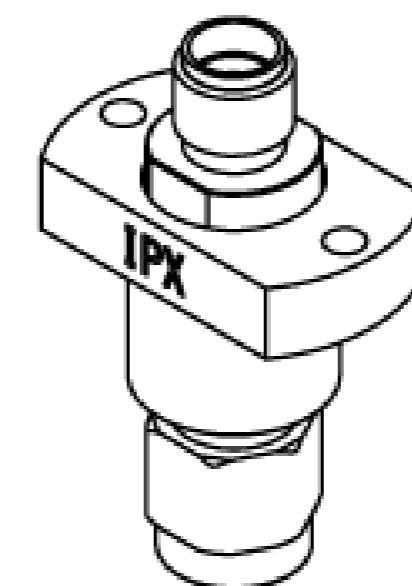
Accessories for MHF[®] 5 Receptacle



MHF 5 SMA ADAPTER
PART NO. 90543-0001

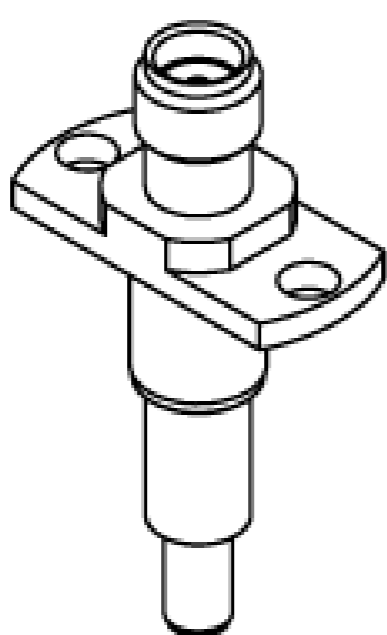


MHF 5 RECEPTACLE HIGH CYCLE ATTACHMENT
PART NO. 90690-0001

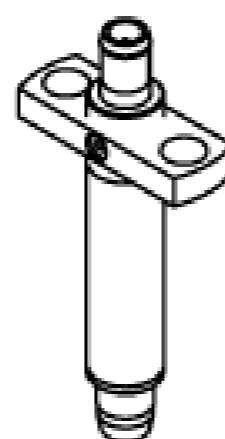


MHF SERIESE HIGH CYCLE ADAP BASE UNIT
PART NO. 90684-0001

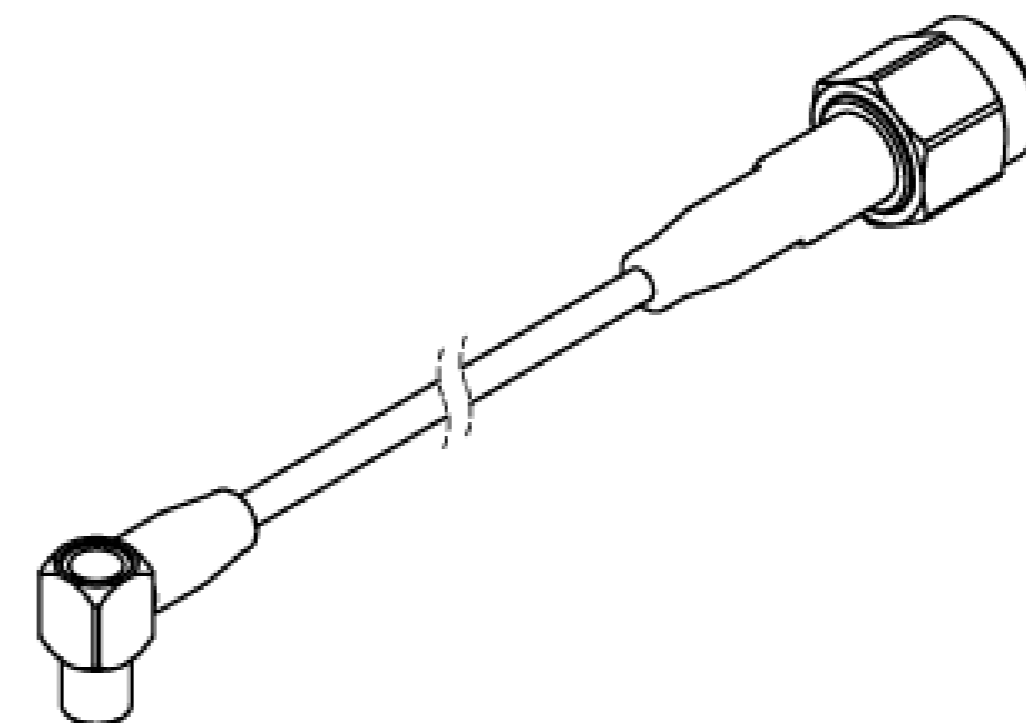
* 90690-0001 AND 90684-0001 SHOULD BE USED TOGETHER.



MHF 5 RECEPTACLE HIGH CYCLE SMA ADAPTER
PART NO. 90793-0001



MHF 5 RECEPTACLE HIGH CYCLE N45 C ADAPTER
PART NO. 90847-0001



MHF SERIES N45 C TO SMA ADAPTER CABLE
PART NO. 90577-****

* 90847-0001 AND 90577-**** SHOULD BE USED TOGETHER.

Rev.9

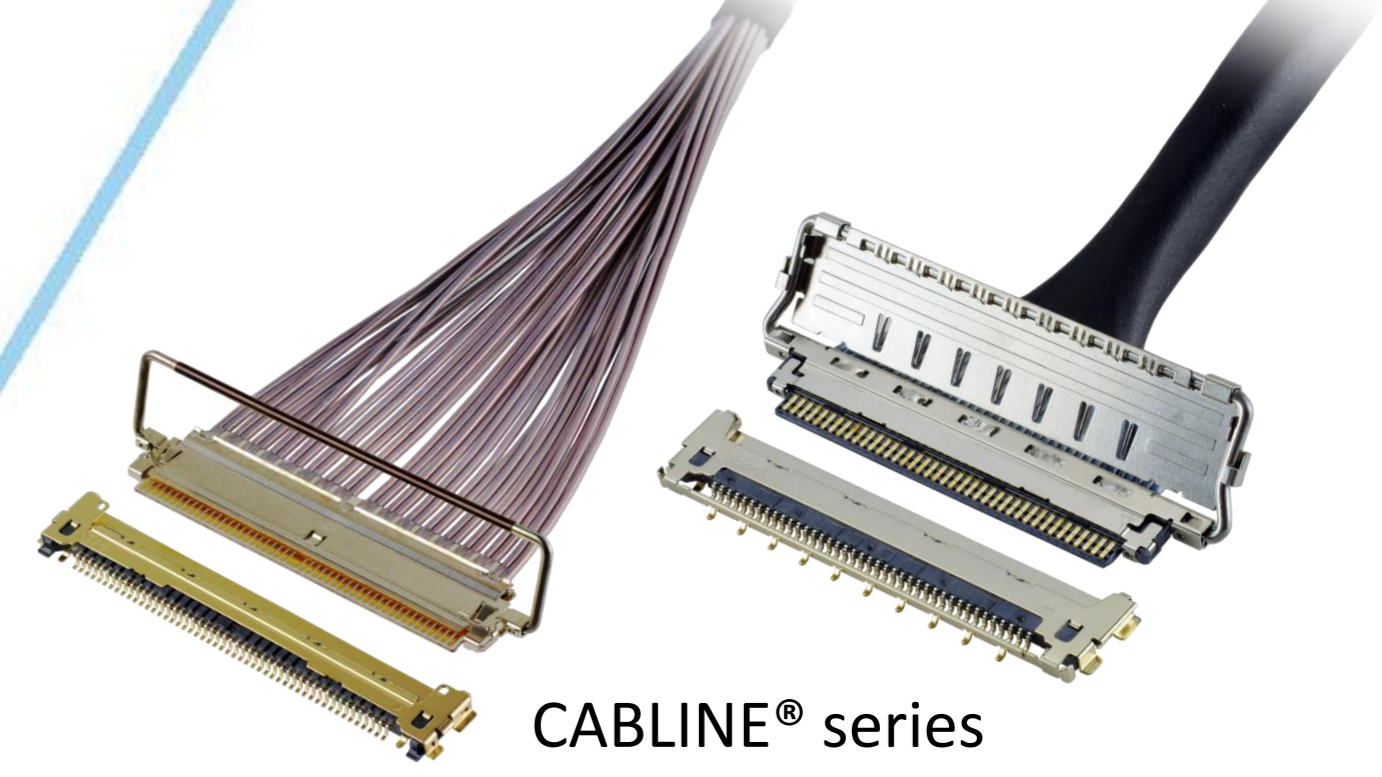
Custom Products Available

RF Connector

MHF® series



Micro-coaxial/Twinax/ Discrete Wire Connector



CABLINE® series

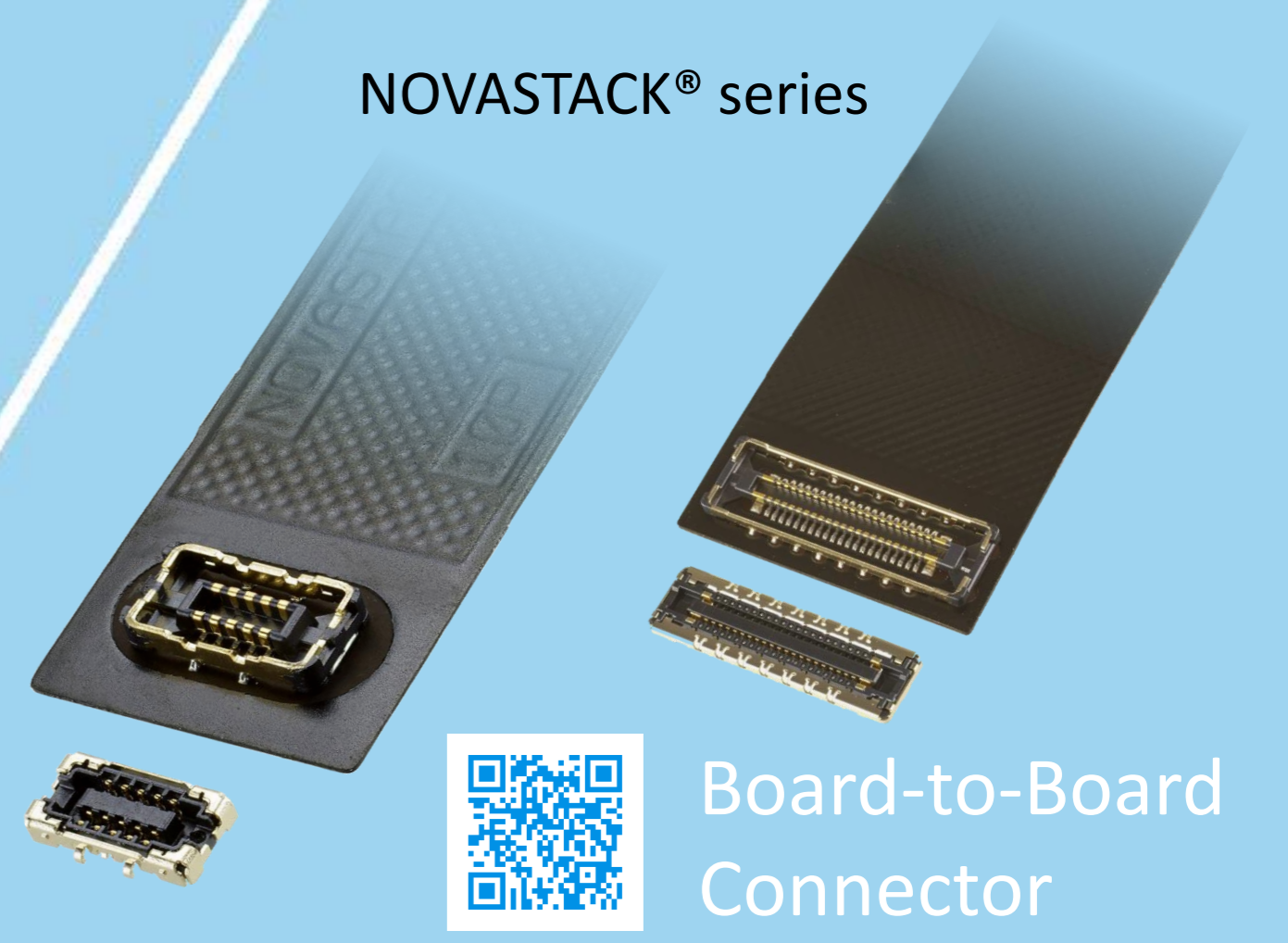


Optical Module

LIGHTPASS® series



NOVASTACK® series



Board-to-Board Connector



Power Connector/ Terminal

AP series

ISH® series



MINIFLEX® series

EVAFLEX® series



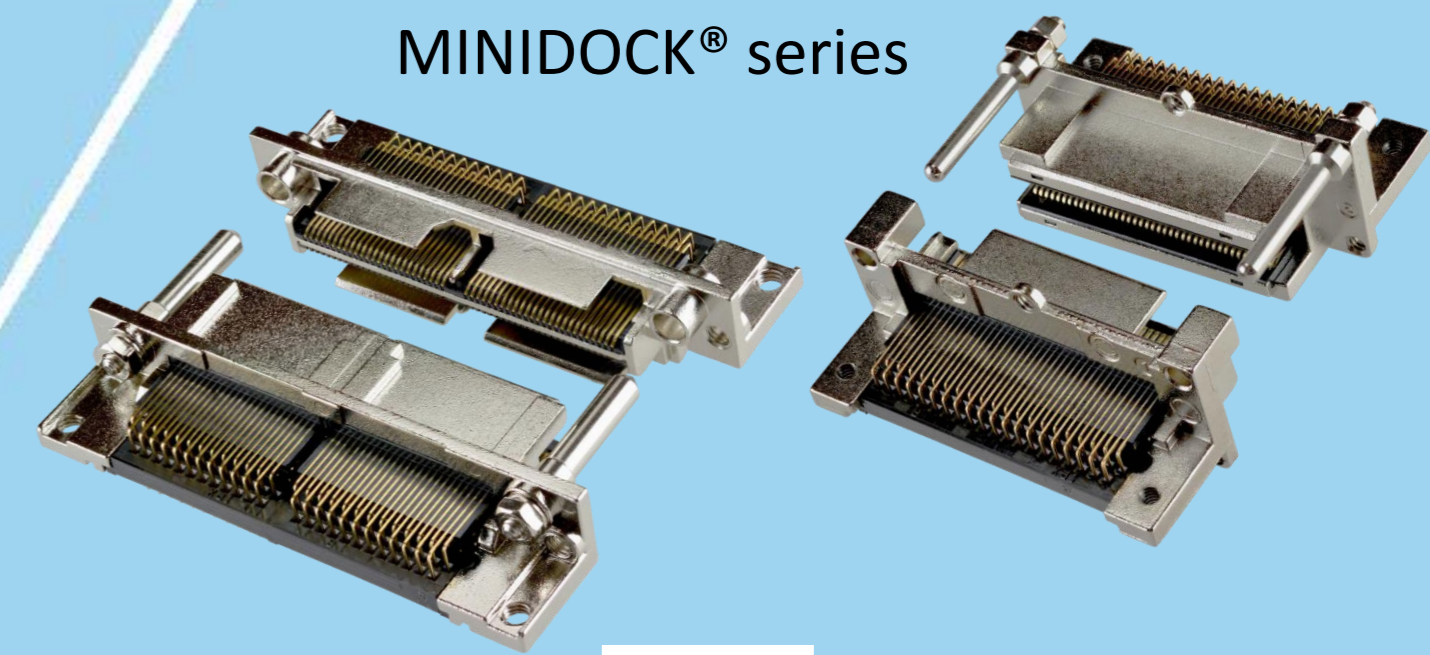
FPC FFC Connector



Inquiry



MINIDOCK® series



I/O Connector

I-PEX, MHF, CABLINE, LIGHTPASS, NOVASTACK, ISH, IARPB, MINIFLEX, EVAFLEX, MINIDOCKS and ZenShield are registered trademarks of I-PEX Inc. Please note that the contents in the catalog might be changed without prior notification. I-PEX Inc. assumes no responsibility for any inaccuracies or obligation to update information on these documents. Please be sure to read and understand the latest "Precautions for Use" and "Instruction Manual" before you use our products. We shall not be responsible for any defects, damages or troubles in case you use our products without following the precautions for use. Please feel free to contact our sales representatives when you use our products for any applications that require very high reliability and safety, or that relate to human life (ex. nuclear power control, aerospace, transportation, medical equipment, safety equipment etc.).

Contact your sales representative or more detailed information.

www.i-pex.com



I-PEX

© I-PEX Inc. 2024
All rights reserved