

MHF[®]-SW23 PLUG

RF스위치 커넥터 MHF[®]-SW23과 결합가능

Product Specifications:

Mated Height (mm max.)	3.7	
Rece. SMT Size (mm)	2.3 x 2.3	
Applicable Frequency	DC ~ 6GHz	
Characteristic Impedance	50 ohm	
VSWR (L=100 mm)	DC~3 GHz	1.4 max.
	3~6 GHz	1.6 max.

Applicable Cable Size:

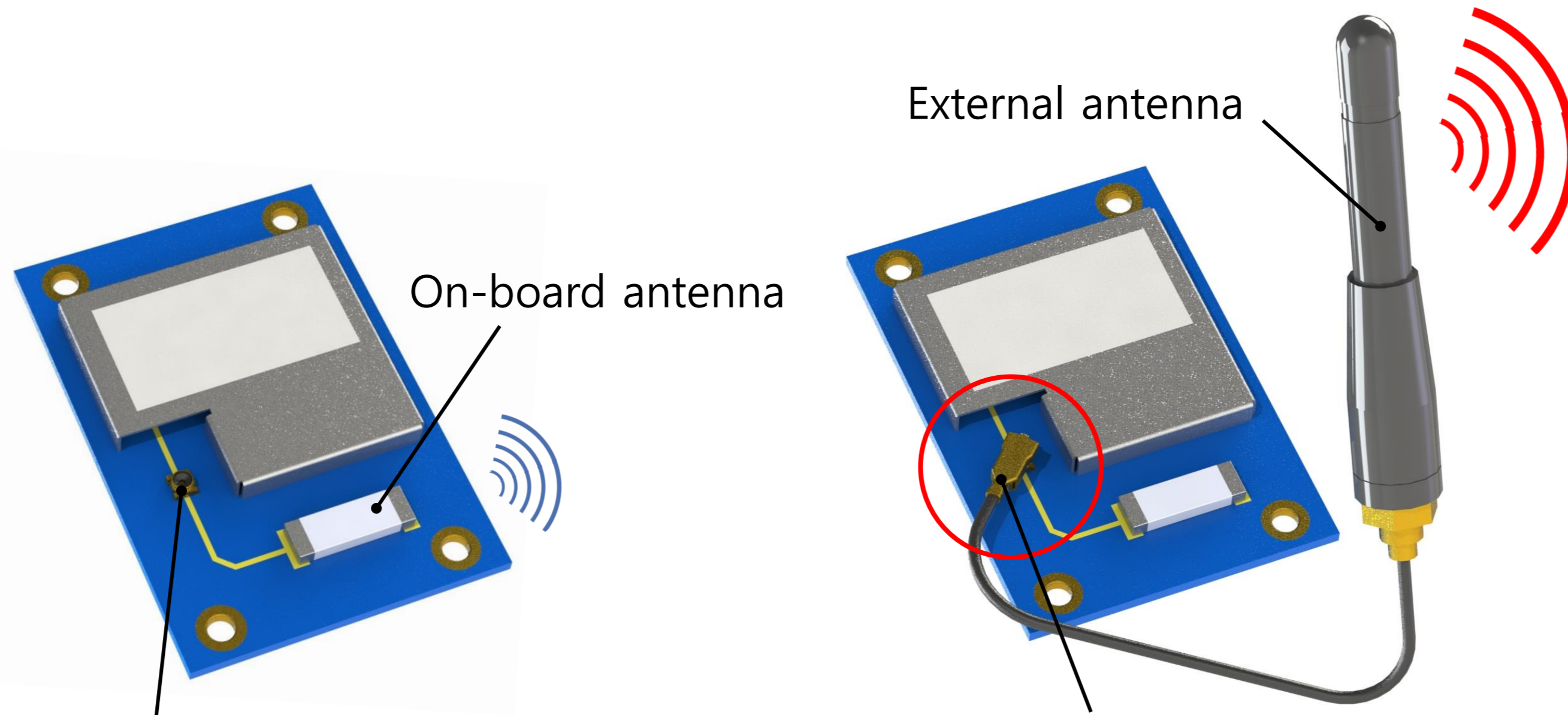
O.D. 1.13 mm / AWG 32

Applicable Standards (Reference Only):

5G sub-6, Wi-Fi 6, LTE/LTE-Advanced, LPWA, Bluetooth, GPS



▶ 기판 실장 안테나/외부 장착 안테나 원활한 선택이 가능



MHF[®]-SW23 (RF switch)

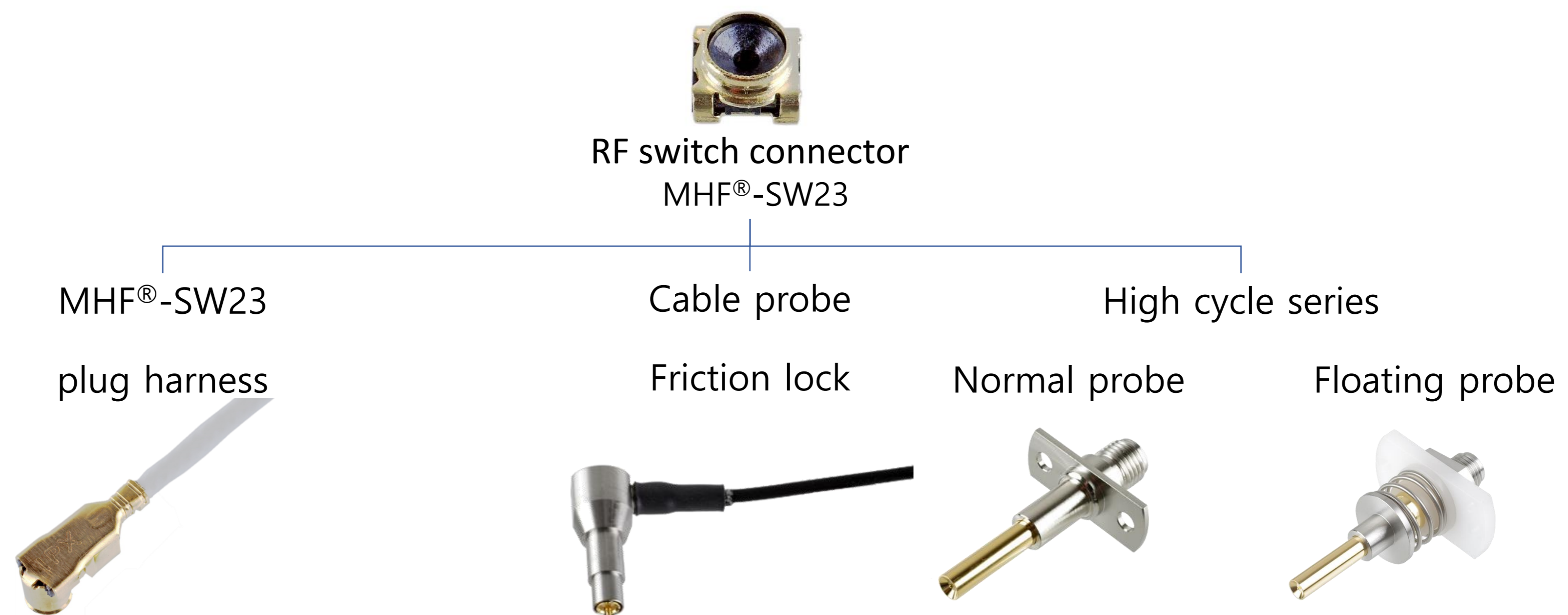
MHF[®]-SW23 PLUG & MHF[®]-SW23

On-board antenna

or

External antenna

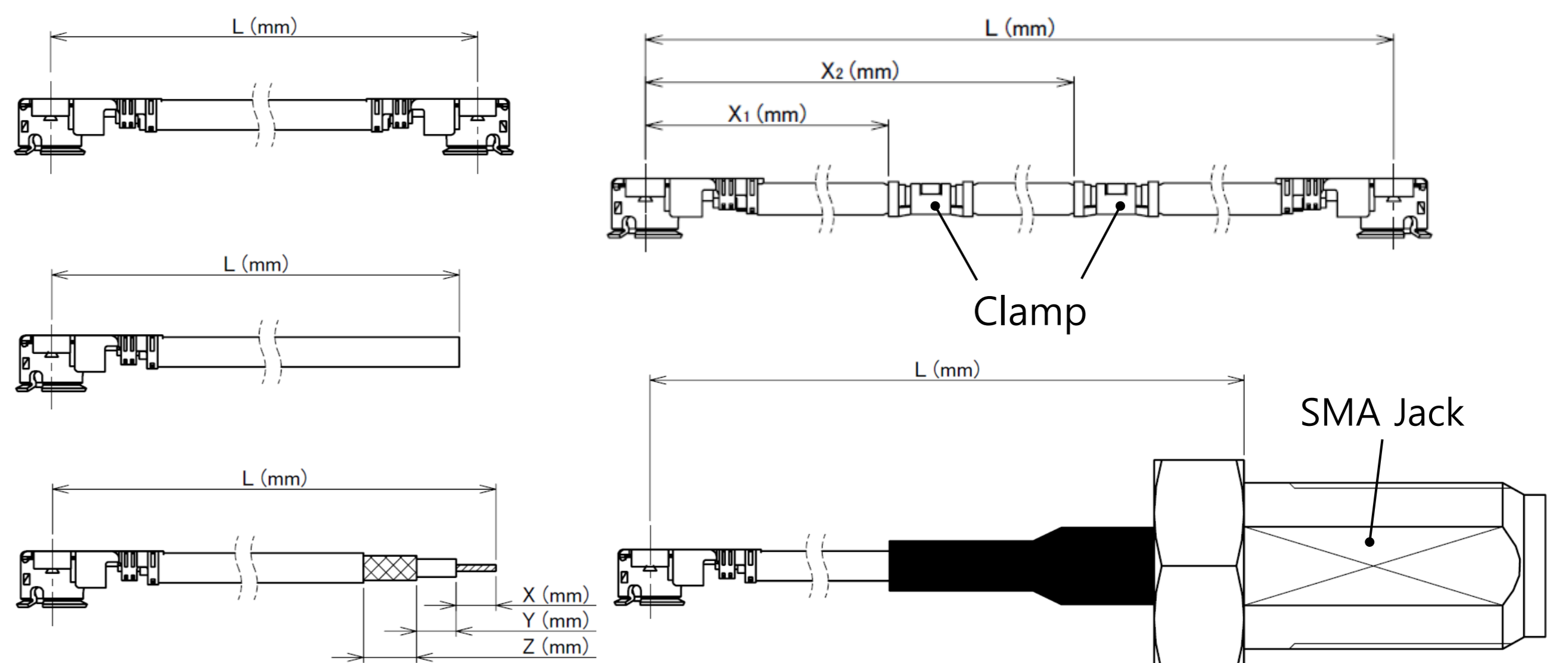
▶ RF스위치 커넥터와의 결합을 위한 새로운 선택지



For Antenna connection

SMA adapters

▶ 다양한 케이블 하네스로 제공 가능

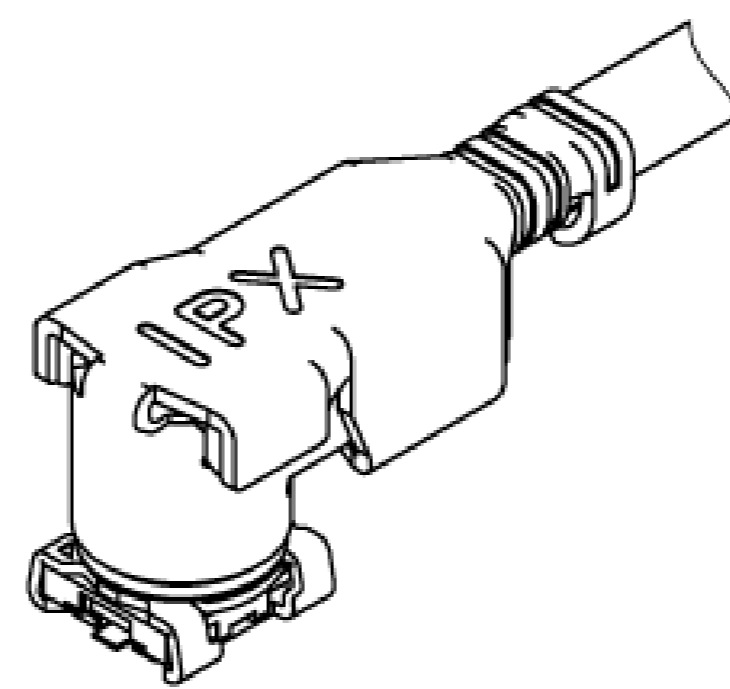
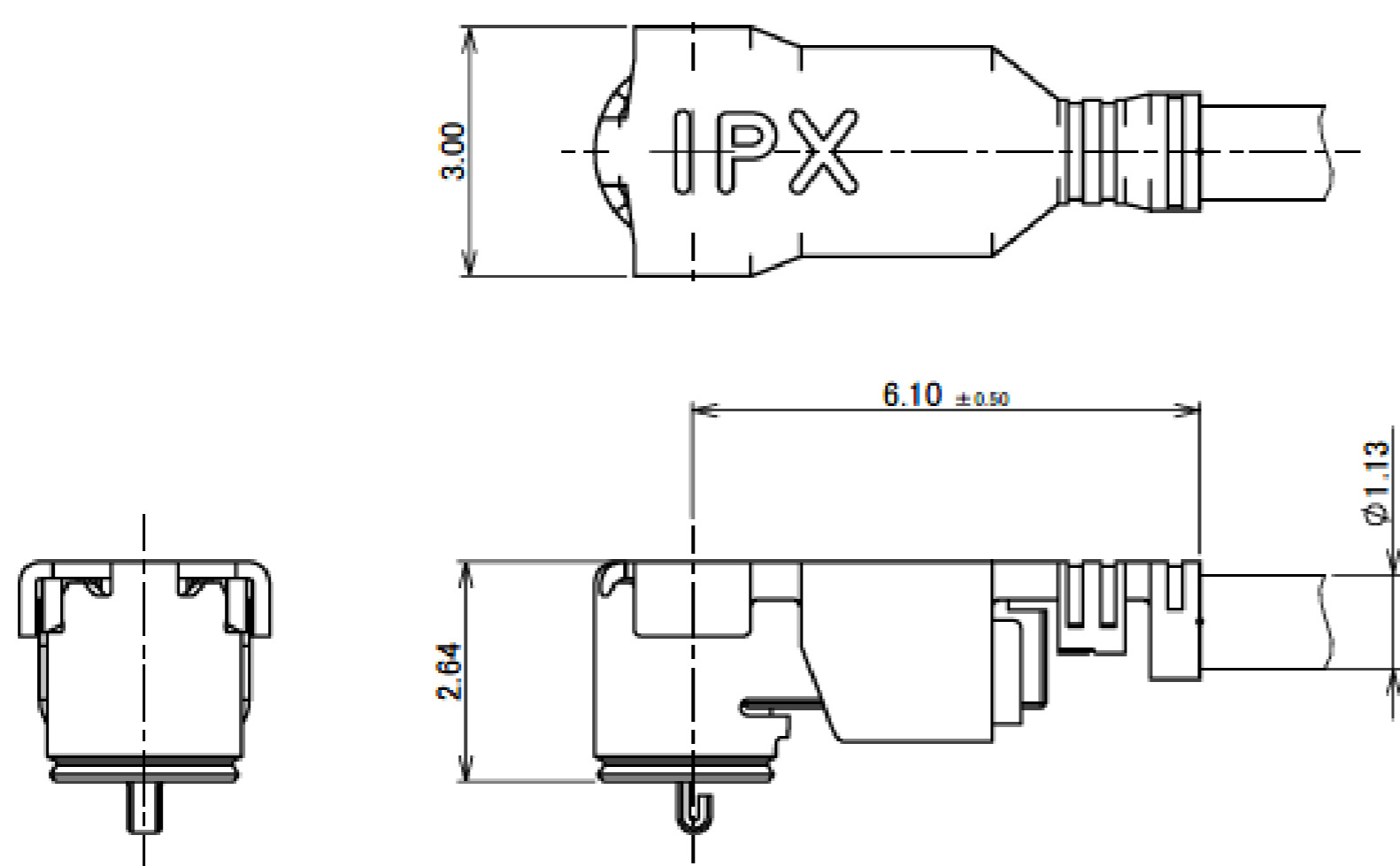
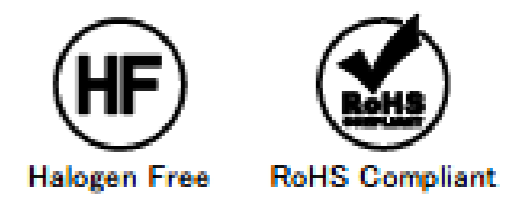


Component Parts Details

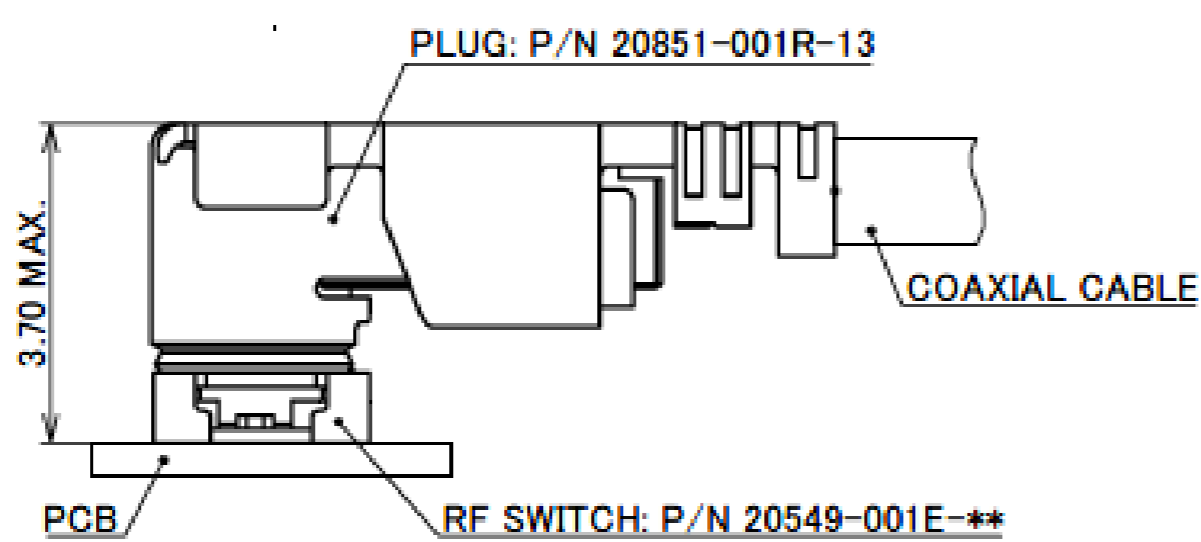
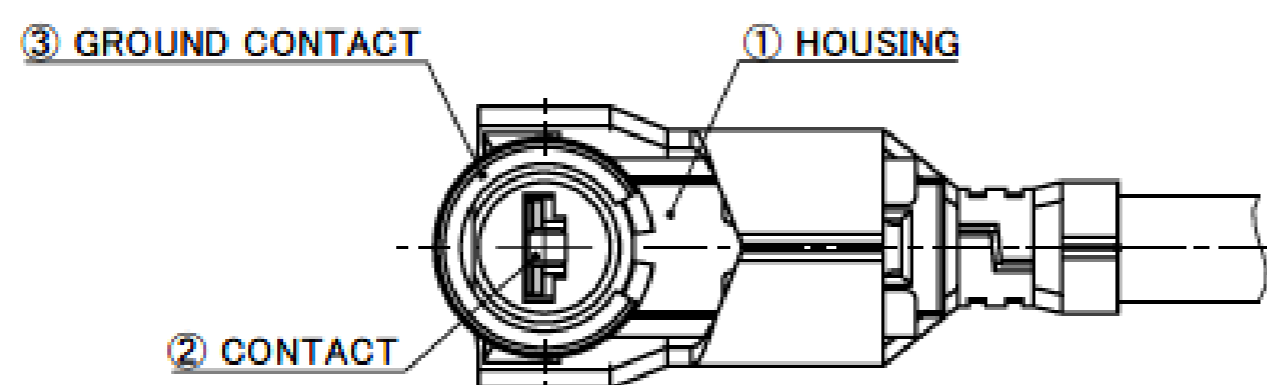
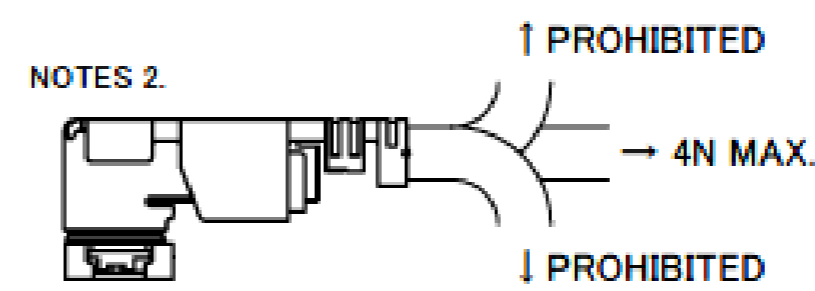
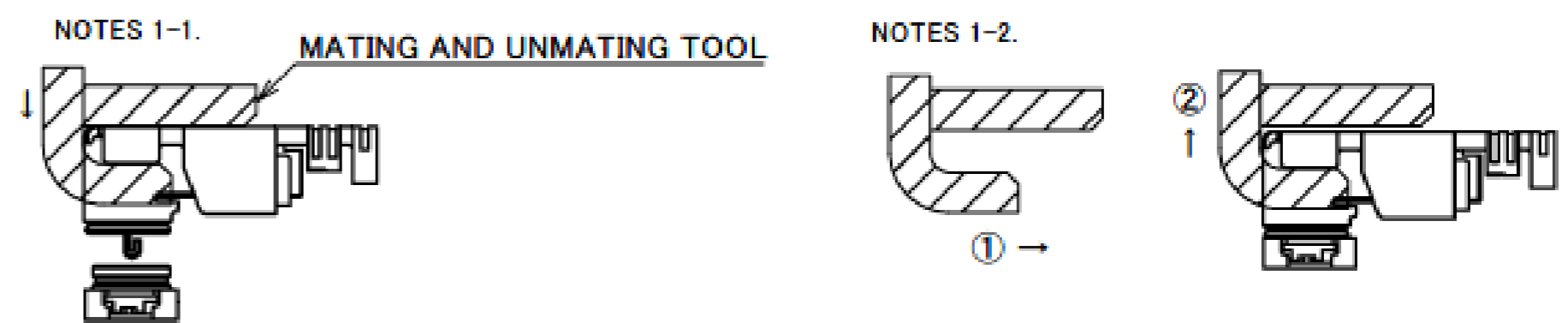
MHF®-SW23 PLUG

Recommended P/N	20851-001R
PART No.	20851-001R

Offered as harness only.



NOTES
 1. MATING AND UNMATING INSTRUCTION
 1-1. MATING
 MATE THE CONNECTOR VERTICALLY AS MUCH AS POSSIBLE, ADJUSTING THE MATING AXIS OF PLUG AND SWITCH. DO NOT SLANT MATE.
 1-2. UNMATING
 USE THE MATING AND UNMATING TOOL (PART NO. 91396-0001) AS THE FOLLOWING DRAWING, AND PULL PLUG TO VERTICAL DIRECTION AS DIRECTLY AS POSSIBLE.
 2. PERMISSIBLE LOAD OF CABLE AT MATING.



MATING CONDITION

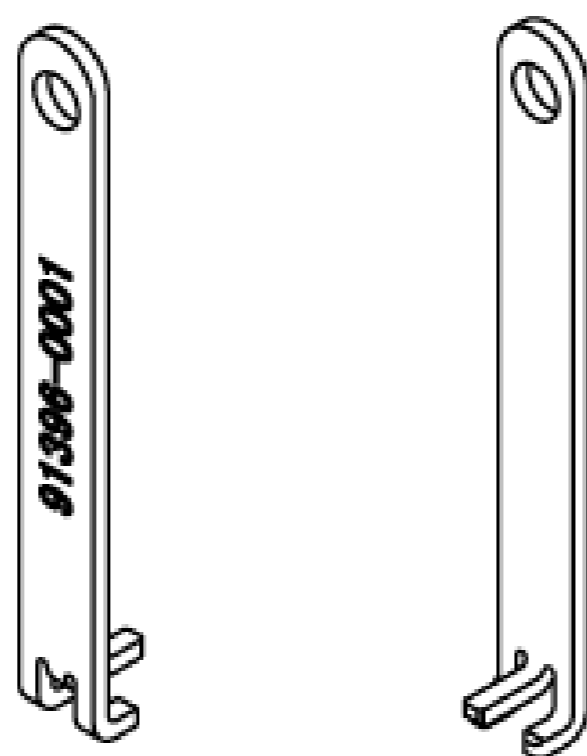
NO.	DESCRIPTION	MATERIAL	FINISH . REMARKS
3	GROUND CONTACT	PHOSPHOR BRONZE	Au OVER Ni
2	CONTACT	PHOSPHOR BRONZE	Au OVER Ni
1	HOUSING	LCP	UL94V-0, BLACK

MHF®-SW23 PLUG

ITEMS	SPECIFICATION
APPLICABLE CONNECTOR PART No.	20549-001E-**
RATING FREQUENCY	DC~6GHz
OPERATING TEMPERATURE	233~358K(-40°C~+85°C)
OPERATING HUMIDITY	90% MAX.(NON-CONDENSING)
VSWR	1.4 MAX. AT 0.1~3 GHz 1.6 MAX. AT 3~6 GHz
MAIN CONTACT RESISTANCE	INITIAL : 100 mohm MAX. / AFTER TEST : 100 mohm MAX.
GROUND CONTACT RESISTANCE	INITIAL : 100 mohm MAX. / AFTER TEST : 100 mohm MAX.
INSULATION RESISTANCE	INITIAL : 1000 Mohm MIN. / AFTER TEST : 10 Mohm MIN.
DIELECTRIC WITHSTANDING VOLTAGE	AC 200 V 1min
DURABILITY	30 CYCLES
UNMATING FORCE (INITIAL / AFTER TEST)	5 N MIN. / 3 N MIN.
CRIMP STRENGTH	10 N MIN.
PRODUCT SPECIFICATION	PRS-2522
TEST REPORT	TR-18076
PACKING STANDARD	PST-19024
INSTRUCTION MANUAL	HIM-18020
APPEARANCE CRITERIA No.	QLS-A***

Rev.1

Accessories for MHF®-SW23 PLUG



MHF-SW23 PLUG MATING AND UNMATING TOOL
PART NO. 91396-0001

Rev.1

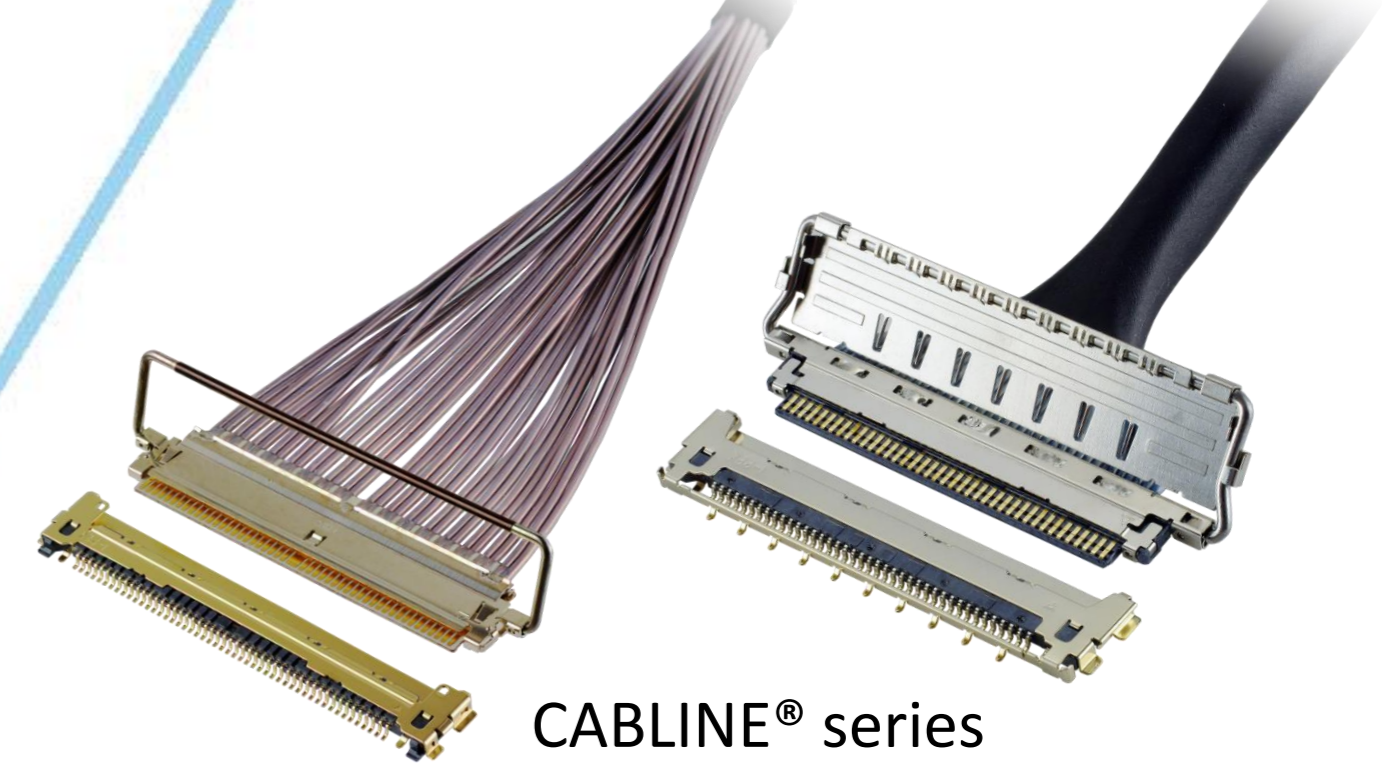
Custom Products Available

RF Connector

MHF® series



Micro-coaxial/Twinax/ Discrete Wire Connector



CABLINE® series

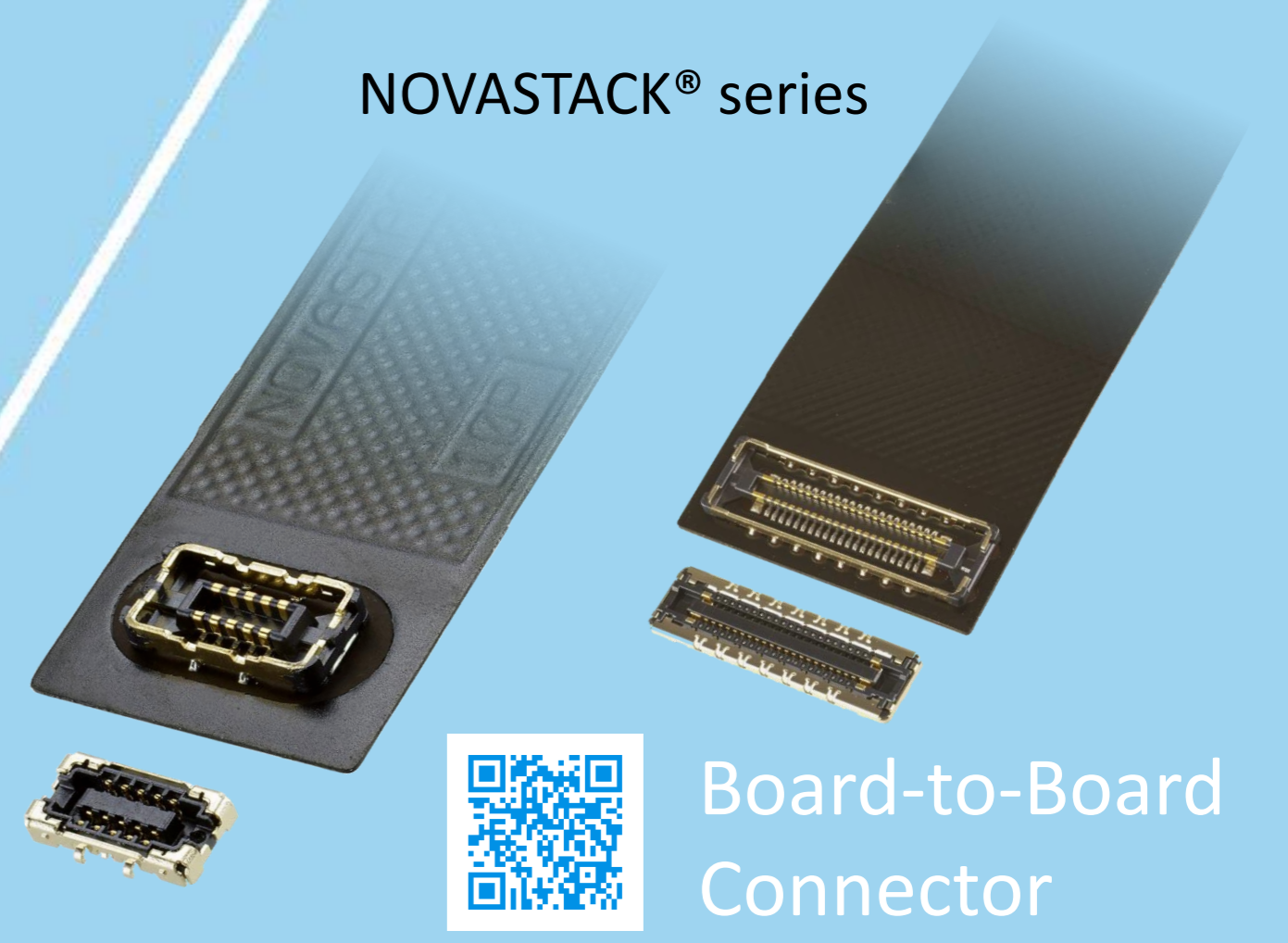


Optical Module

LIGHTPASS® series



NOVASTACK® series



Board-to-Board Connector



Power Connector/ Terminal

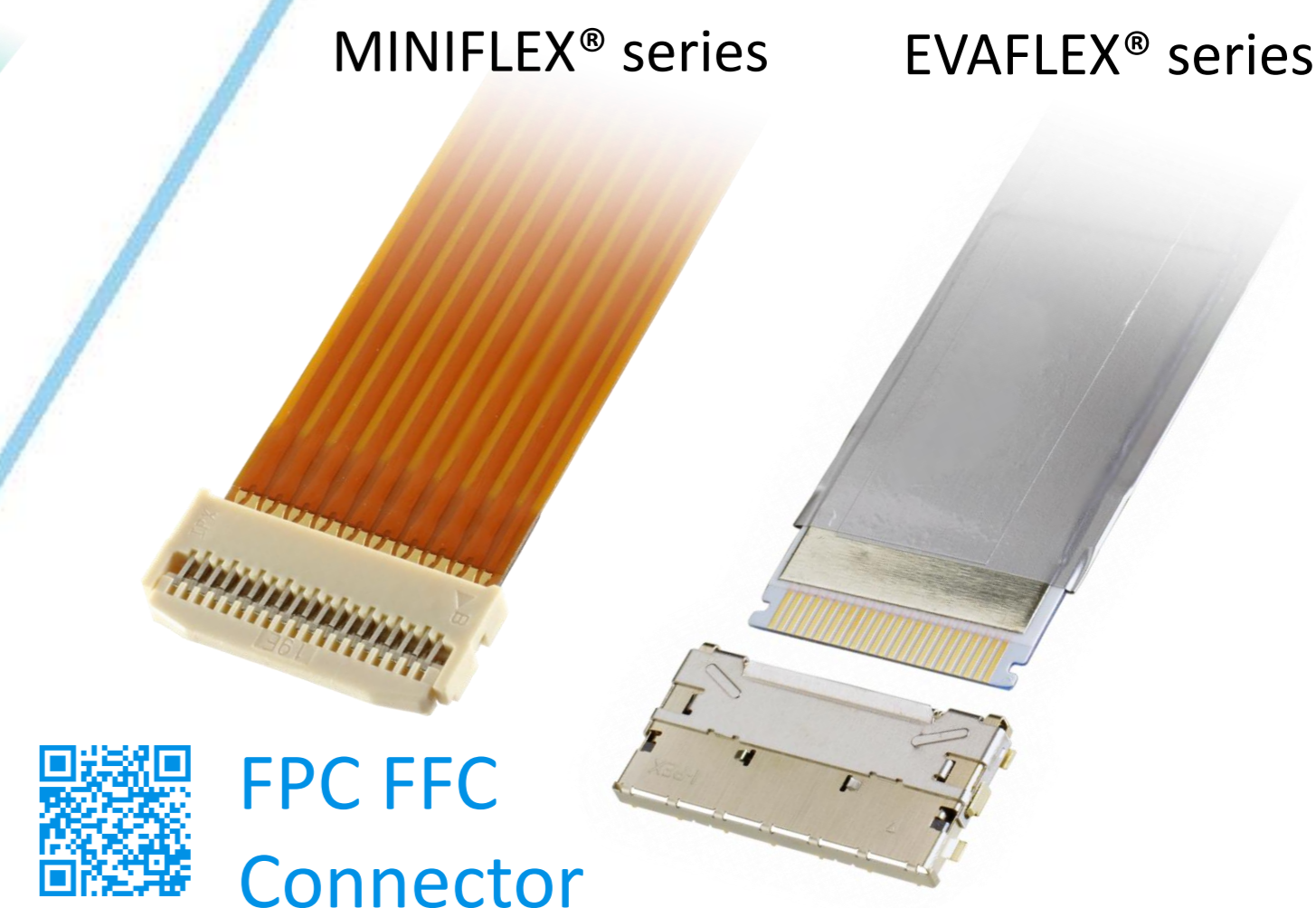
AP series

ISH® series



MINIFLEX® series

EVAFLEX® series



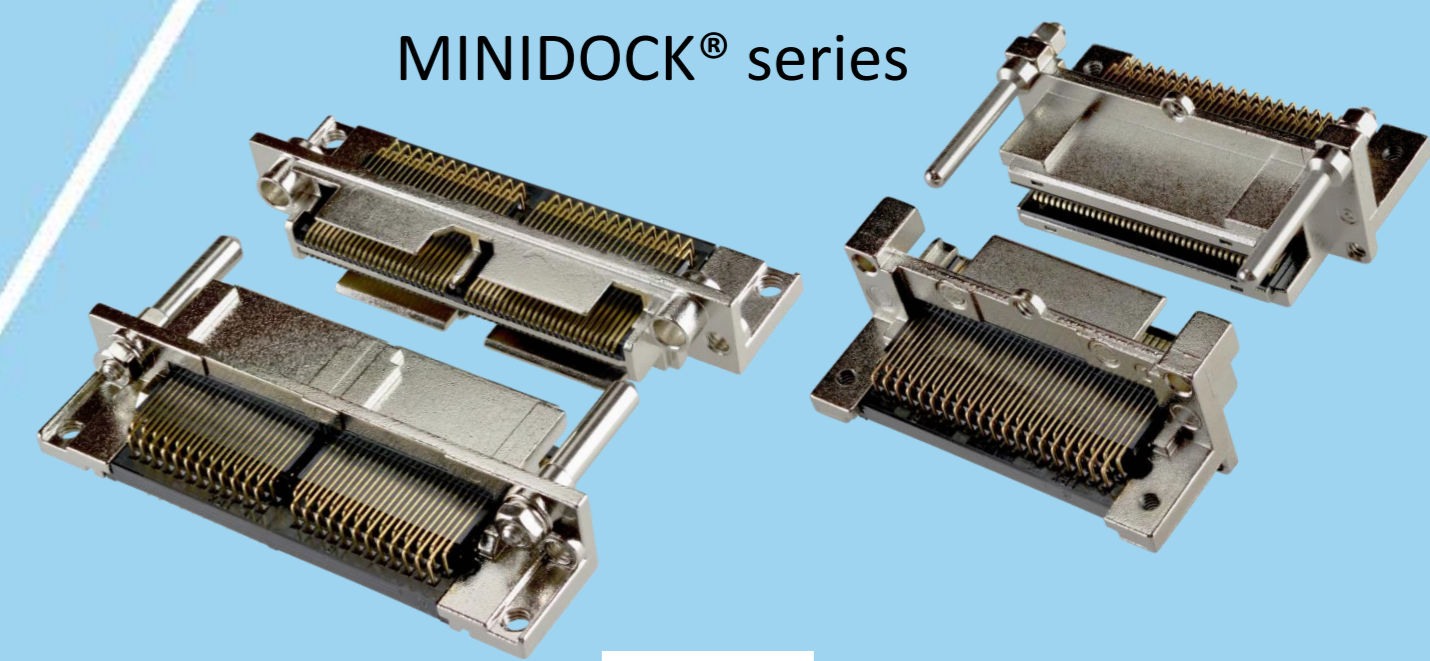
FPC FFC Connector



Inquiry



MINIDOCK® series



I/O Connector

I-PEX, MHF, CABLINE, LIGHTPASS, NOVASTACK, ISH, IARPB, MINIFLEX, EVAFLEX, MINIDOCKS and ZenShield are registered trademarks of I-PEX Inc. Please note that the contents in the catalog might be changed without prior notification. I-PEX Inc. assumes no responsibility for any inaccuracies or obligation to update information on these documents. Please be sure to read and understand the latest "Precautions for Use" and "Instruction Manual" before you use our products. We shall not be responsible for any defects, damages or troubles in case you use our products without following the precautions for use. Please feel free to contact our sales representatives when you use our products for any applications that require very high reliability and safety, or that relate to human life (ex. nuclear power control, aerospace, transportation, medical equipment, safety equipment etc.).

Contact your sales representative or more detailed information.

www.i-pex.com



I-PEX

© I-PEX Inc. 2024
All rights reserved