

# MHF<sup>®</sup>-SW23 PLUG

Micro RF coaxial plug, mates to MHF<sup>®</sup>-SW23 RF switch PCB receptacle

**Product Specifications:**

|                          |           |          |
|--------------------------|-----------|----------|
| Mated Height (mm max.)   | 3.7       |          |
| Rece. SMT Size (mm)      | 2.3 x 2.3 |          |
| Applicable Frequency     | DC ~ 6GHz |          |
| Characteristic Impedance | 50 ohm    |          |
| VSWR (L=100 mm)          | DC~3 GHz  | 1.4 max. |
|                          | 3~6 GHz   | 1.6 max. |

**Applicable Cable Size:**

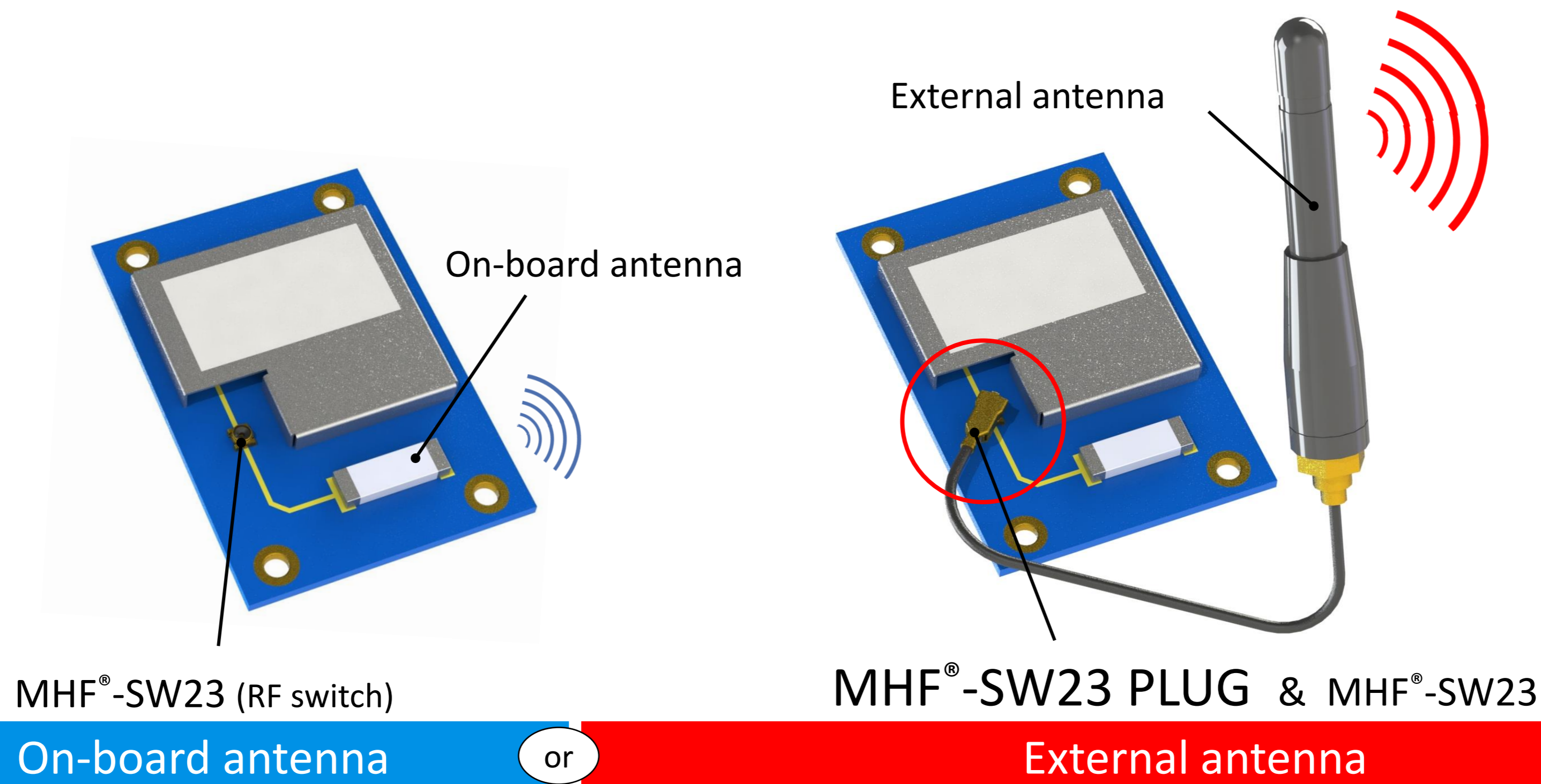
|                       |
|-----------------------|
| O.D. 1.13 mm / AWG 32 |
|-----------------------|

**Applicable Standards (Reference Only):**

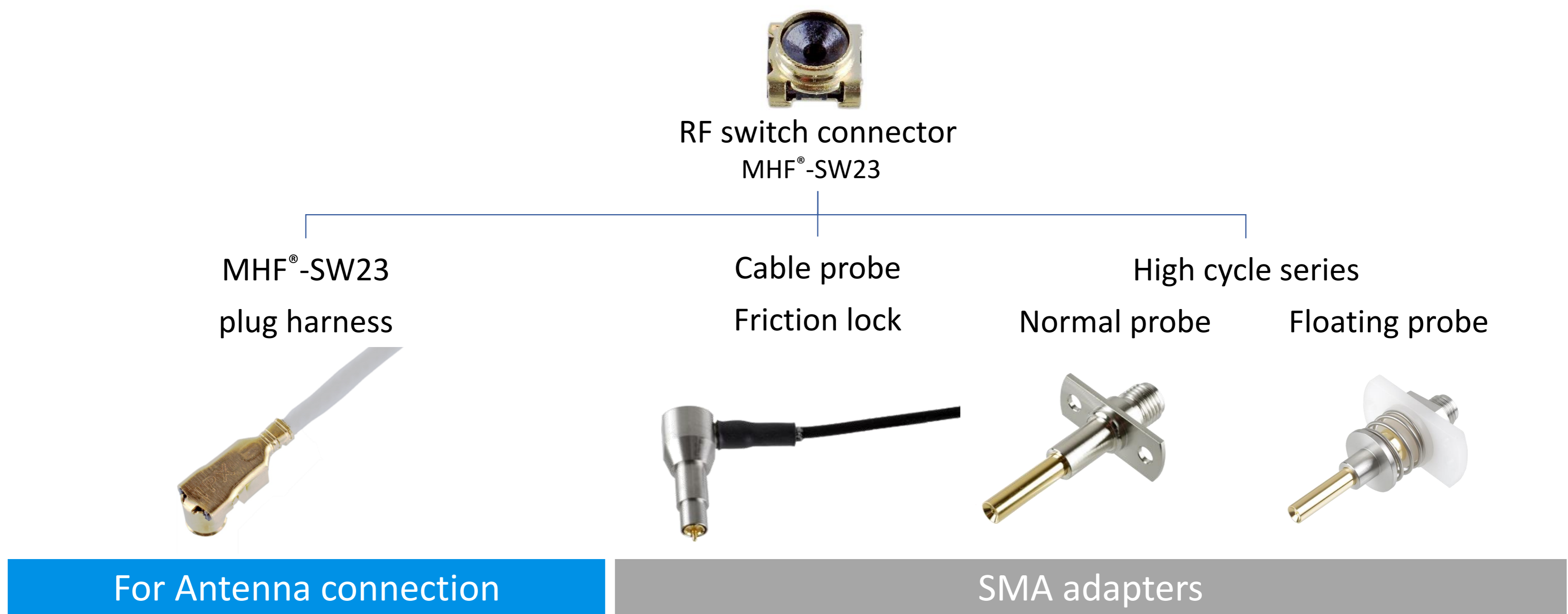
|   |
|---|
| 5G sub-6, Wi-Fi 6, LTE/LTE-Advanced, LPWA, Bluetooth, GPS |
|---|



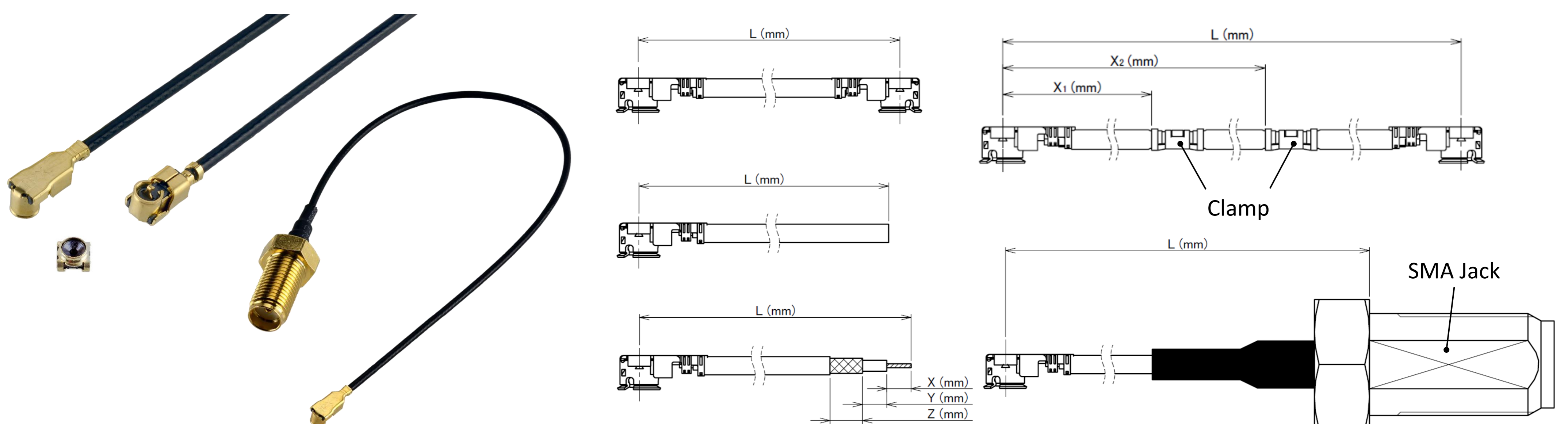
► Flexibility to choose on-board antenna or external antenna



► New options for mating with RF switch connector



► Available harness configurations



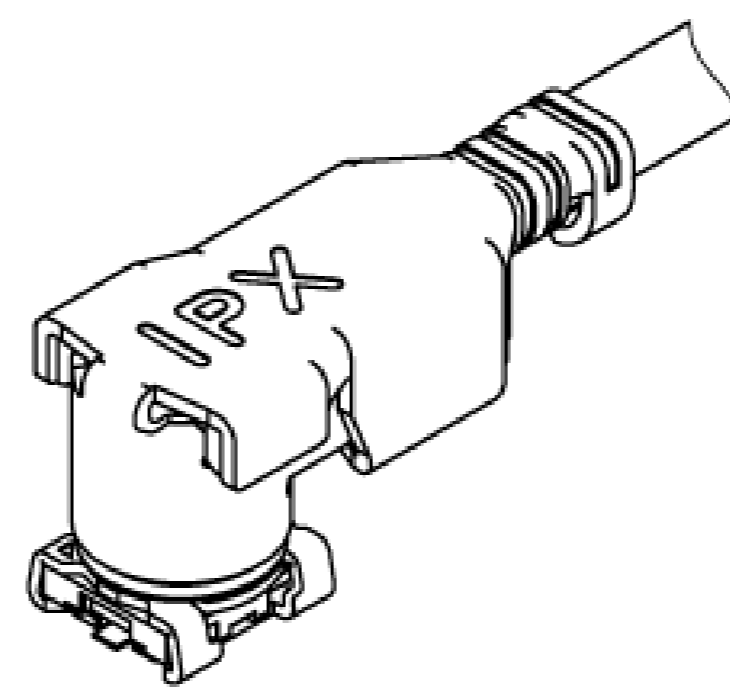
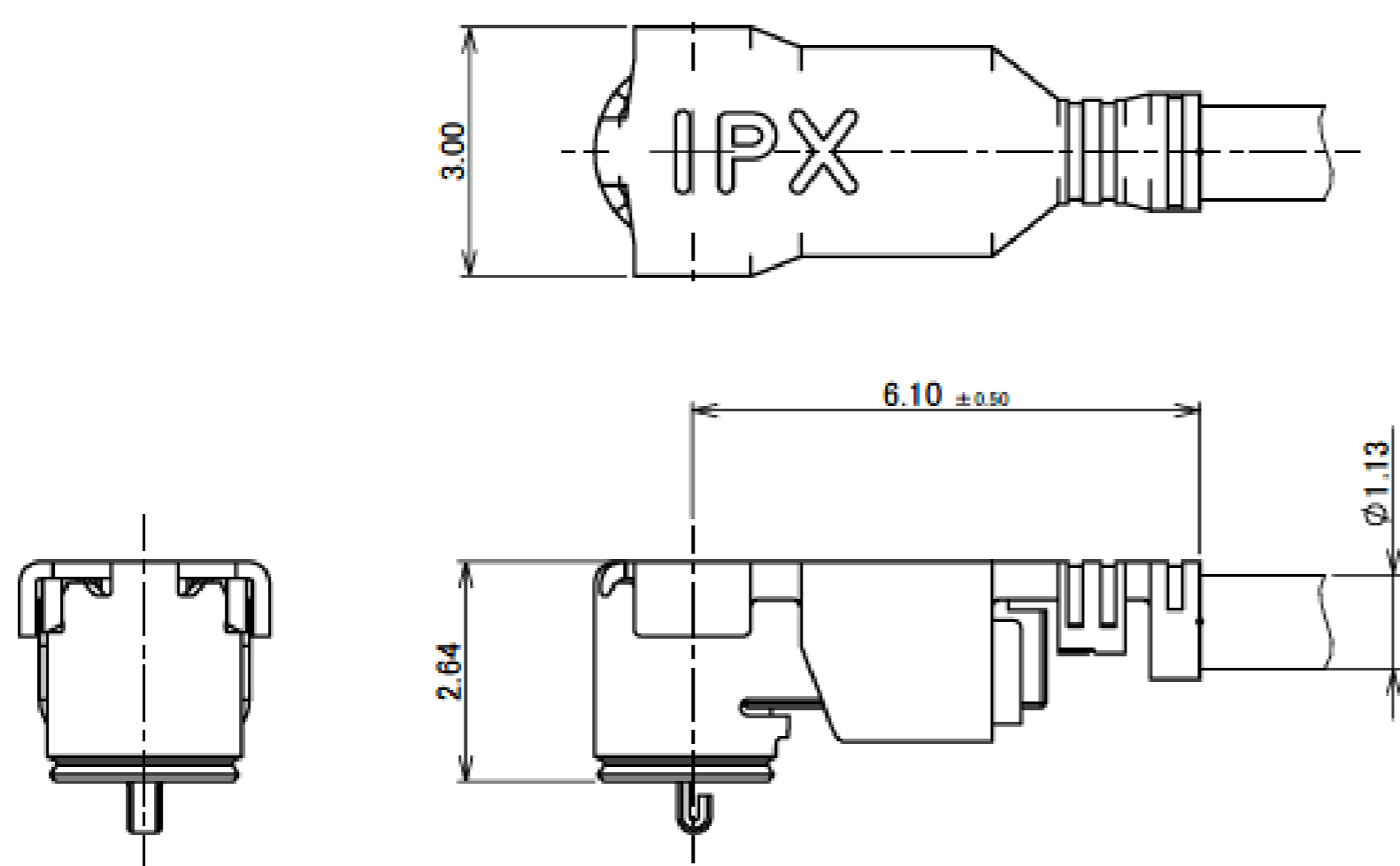
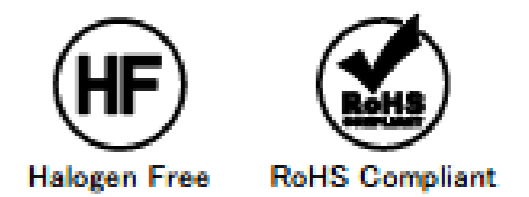


# Component Parts Details

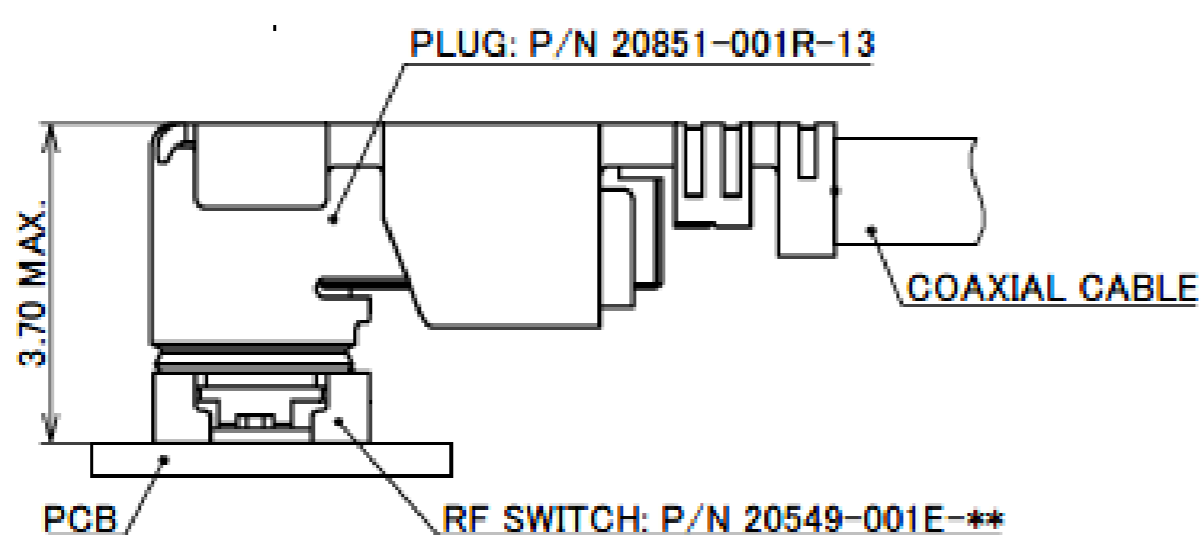
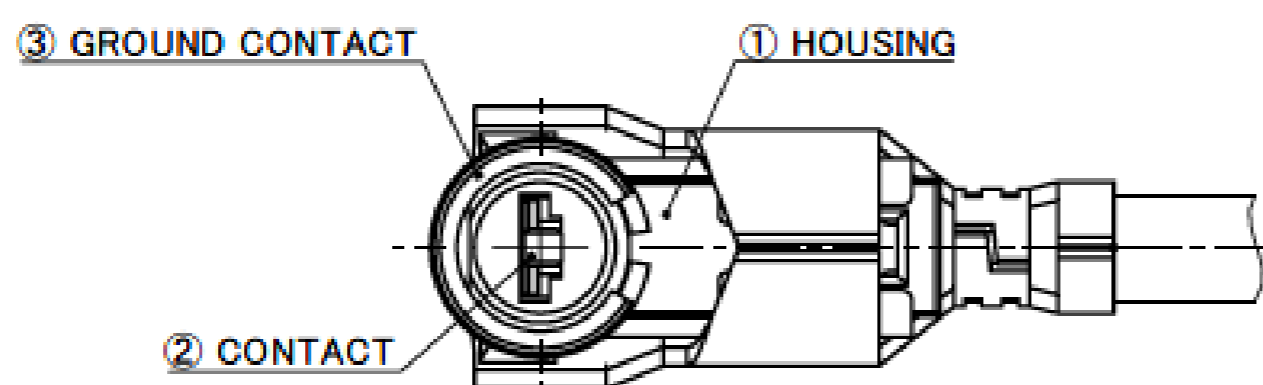
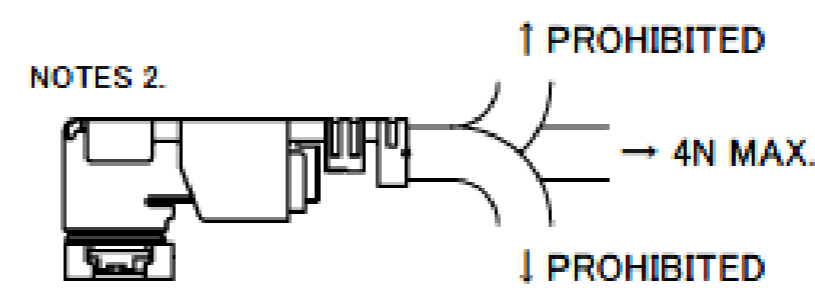
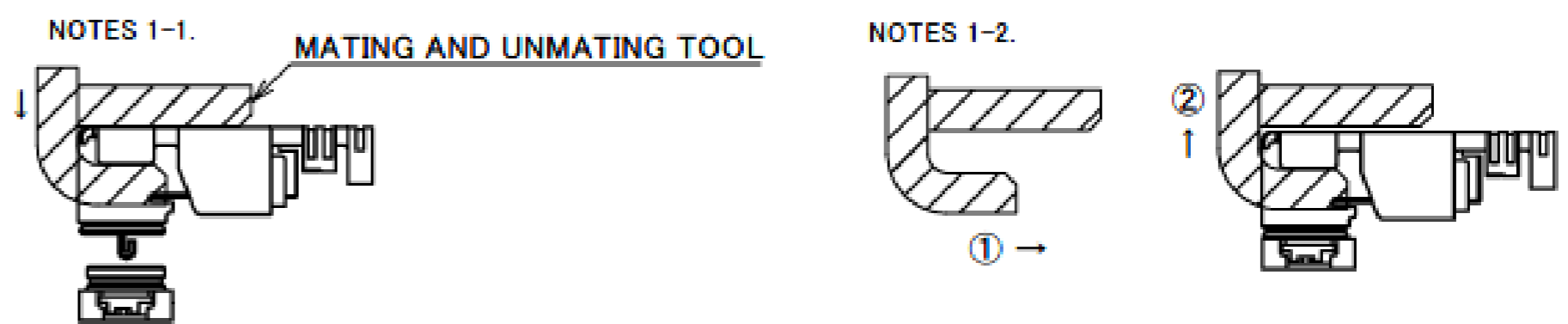
## MHF<sup>®</sup>-SW23 PLUG

|                 |            |
|-----------------|------------|
| Recommended P/N | 20851-001R |
| PART No.        | 20851-001R |

Offered as harness only.



NOTES  
 1. MATING AND UNMATING INSTRUCTION  
 1-1. MATING  
 MATE THE CONNECTOR VERTICALLY AS MUCH AS POSSIBLE, ADJUSTING THE MATING AXIS OF PLUG AND SWITCH. DO NOT SLANT MATE.  
 1-2. UNMATING  
 USE THE MATING AND UNMATING TOOL (PART NO. 91396-0001) AS THE FOLLOWING DRAWING, AND PULL PLUG TO VERTICAL DIRECTION AS DIRECTLY AS POSSIBLE.  
 2. PERMISSIBLE LOAD OF CABLE AT MATING.



MATING CONDITION

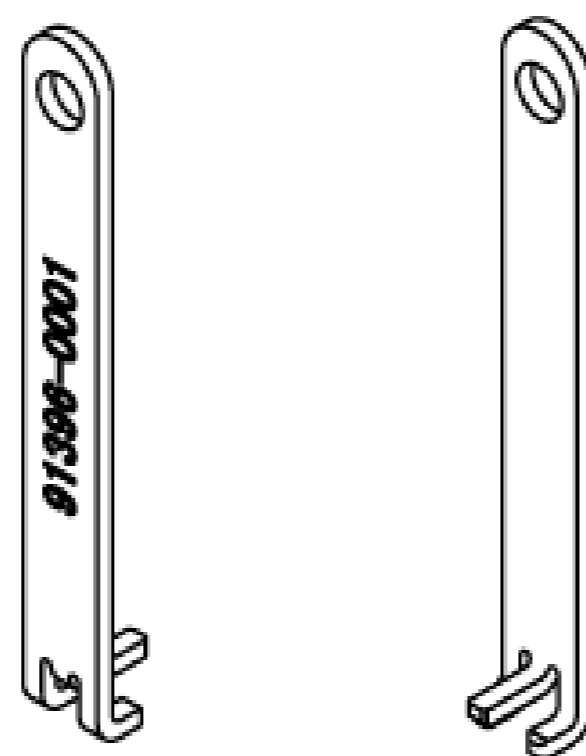
| NO. | DESCRIPTION    | MATERIAL        | FINISH . REMARKS |
|-----|----------------|-----------------|------------------|
| 3   | GROUND CONTACT | PHOSPHOR BRONZE | Au OVER Ni       |
| 2   | CONTACT        | PHOSPHOR BRONZE | Au OVER Ni       |
| 1   | HOUSING        | LCP             | UL94V-0, BLACK   |

# MHF®-SW23 PLUG

| ITEMS                                 | SPECIFICATION  |
|---------------------------------------|--|
| APPLICABLE CONNECTOR PART No.         | 20549-001E-**  |
| RATING FREQUENCY                      | DC~6GHz  |
| OPERATING TEMPERATURE                 | 233~358K(-40°C~+85°C)                                |
| OPERATING HUMIDITY                    | 90% MAX.(NON-CONDENSING)                             |
| VSWR                                  | 1.4 MAX. AT 0.1~3 GHz<br>1.6 MAX. AT 3~6 GHz         |
| MAIN CONTACT RESISTANCE               | INITIAL : 100 mohm MAX. / AFTER TEST : 100 mohm MAX. |
| GROUND CONTACT RESISTANCE             | INITIAL : 100 mohm MAX. / AFTER TEST : 100 mohm MAX. |
| INSULATION RESISTANCE                 | INITIAL : 1000 Mohm MIN. / AFTER TEST : 10 Mohm MIN. |
| DIELECTRIC WITHSTANDING VOLTAGE       | AC 200 V 1min  |
| DURABILITY                            | 30 CYCLES  |
| UNMATING FORCE (INITIAL / AFTER TEST) | 5 N MIN. / 3 N MIN.                                  |
| CRIMP STRENGTH                        | 10 N MIN.  |
| PRODUCT SPECIFICATION                 | PRS-2522   |
| TEST REPORT                           | TR-18076   |
| PACKING STANDARD                      | PST-19024  |
| INSTRUCTION MANUAL                    | HIM-18020  |
| APPEARANCE CRITERIA No.               | QLS-A***   |

Rev.1

## Accessories for MHF®-SW23 PLUG



MHF-SW23 PLUG MATING AND UNMATING TOOL  
PART NO. 91396-0001

Rev.1



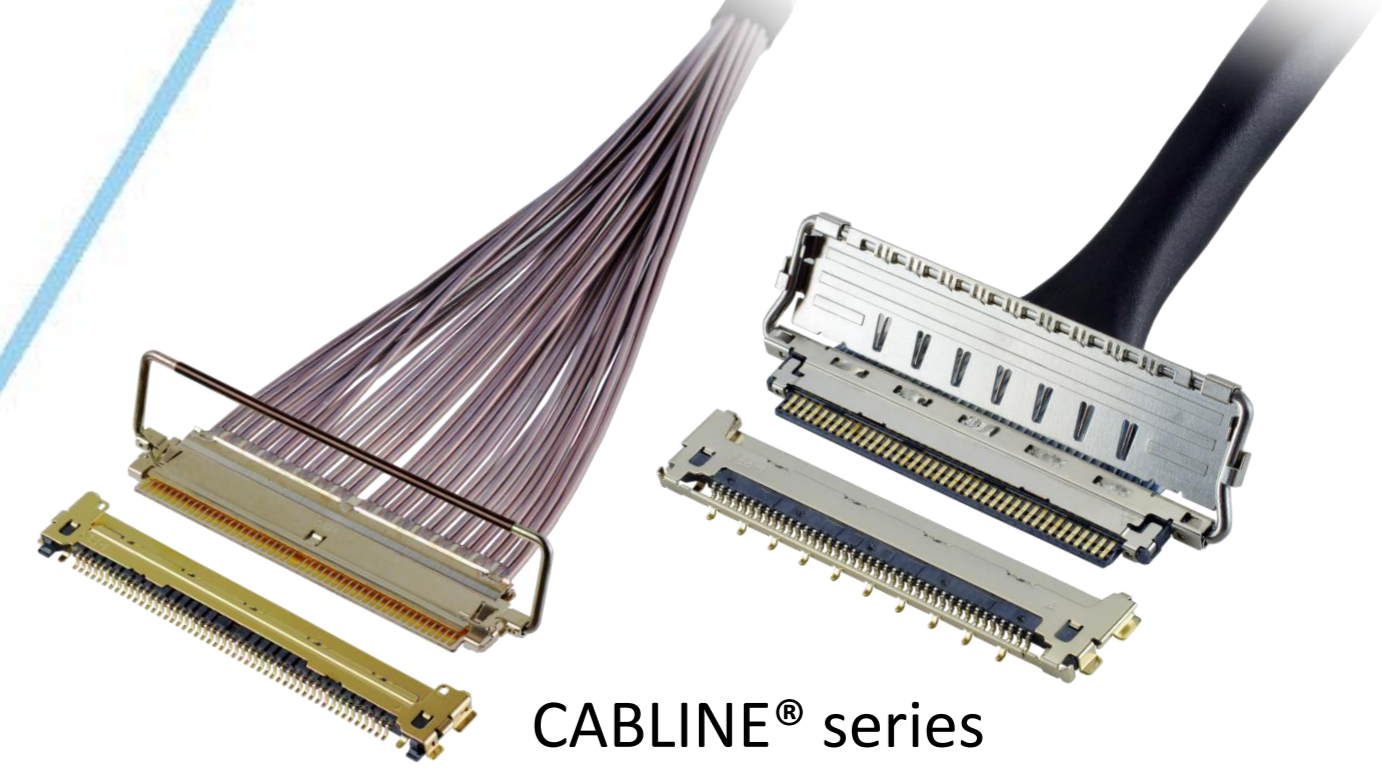
# Custom Products Available

## RF Connector

MHF® series



## Micro-coaxial/Twinax/Discrete Wire Connector



CABLINE® series

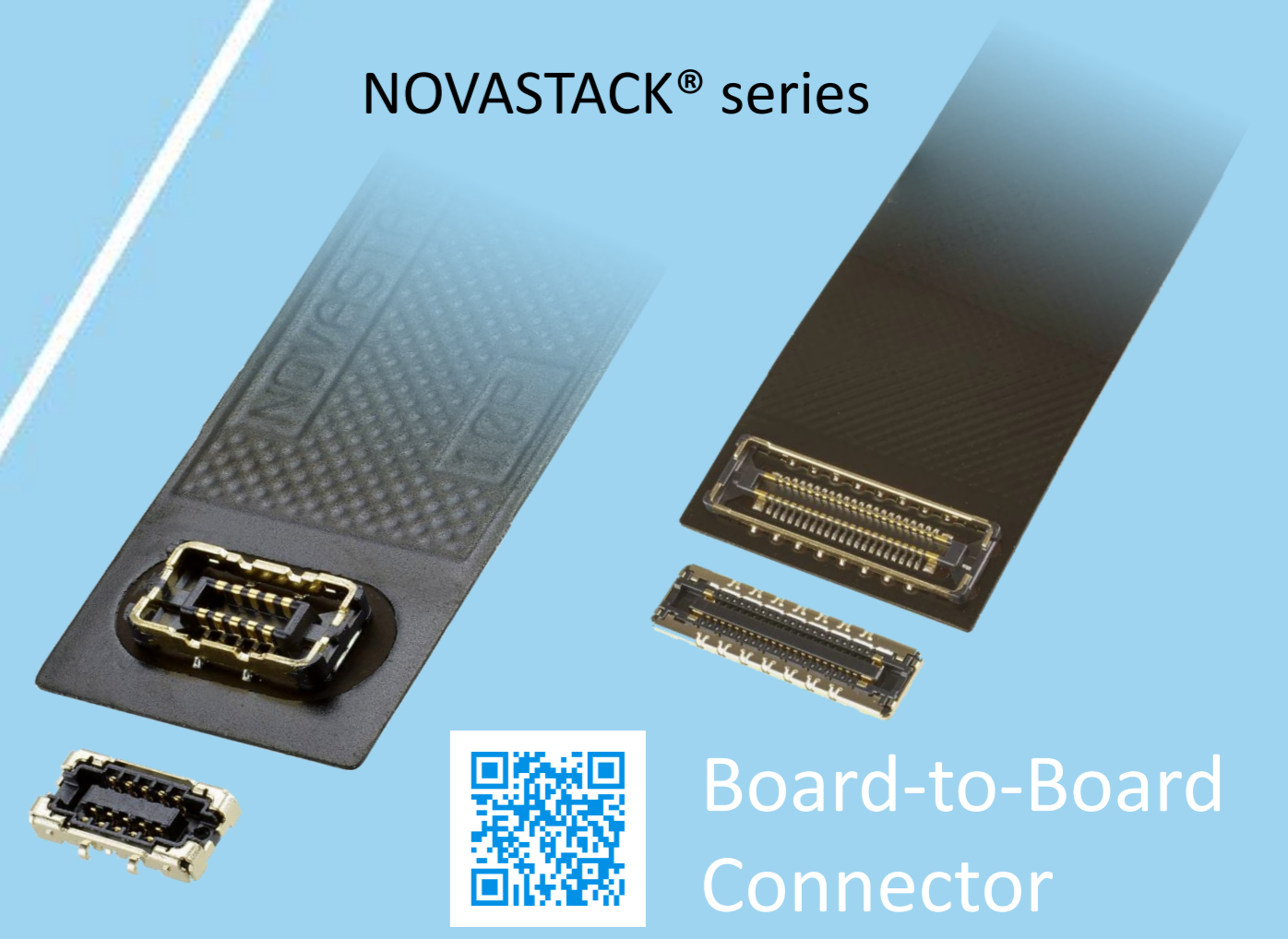


## Optical Module

LIGHTPASS® series



NOVASTACK® series



## Board-to-Board Connector



## Power Connector/Terminal

AP series

ISH® series



MINIFLEX® series

EVAFLEX® series



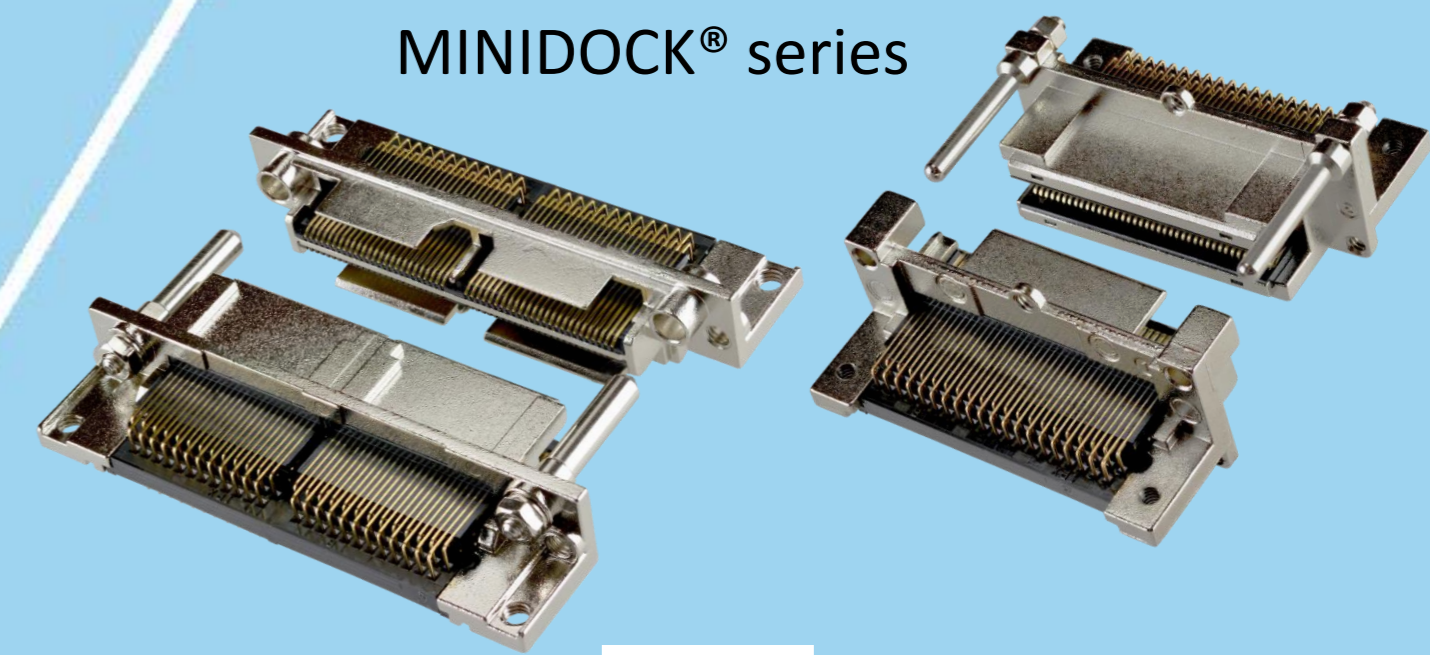
## FPC FFC Connector



Inquiry



MINIDOCK® series



## I/O Connector

I-PEX, MHF, CABLINE, LIGHTPASS, NOVASTACK, ISH, IARPB, MINIFLEX, EVAFLEX, MINIDOCKS and ZenShield are registered trademarks of I-PEX Inc. Please note that the contents in the catalog might be changed without prior notification. I-PEX Inc. assumes no responsibility for any inaccuracies or obligation to update information on these documents. Please be sure to read and understand the latest "Precautions for Use" and "Instruction Manual" before you use our products. We shall not be responsible for any defects, damages or troubles in case you use our products without following the precautions for use. Please feel free to contact our sales representatives when you use our products for any applications that require very high reliability and safety, or that relate to human life (ex. nuclear power control, aerospace, transportation, medical equipment, safety equipment etc.).

Contact your sales representative or more detailed information.

[www.i-pex.com](http://www.i-pex.com)



# I-PEX

© I-PEX Inc. 2024  
All rights reserved