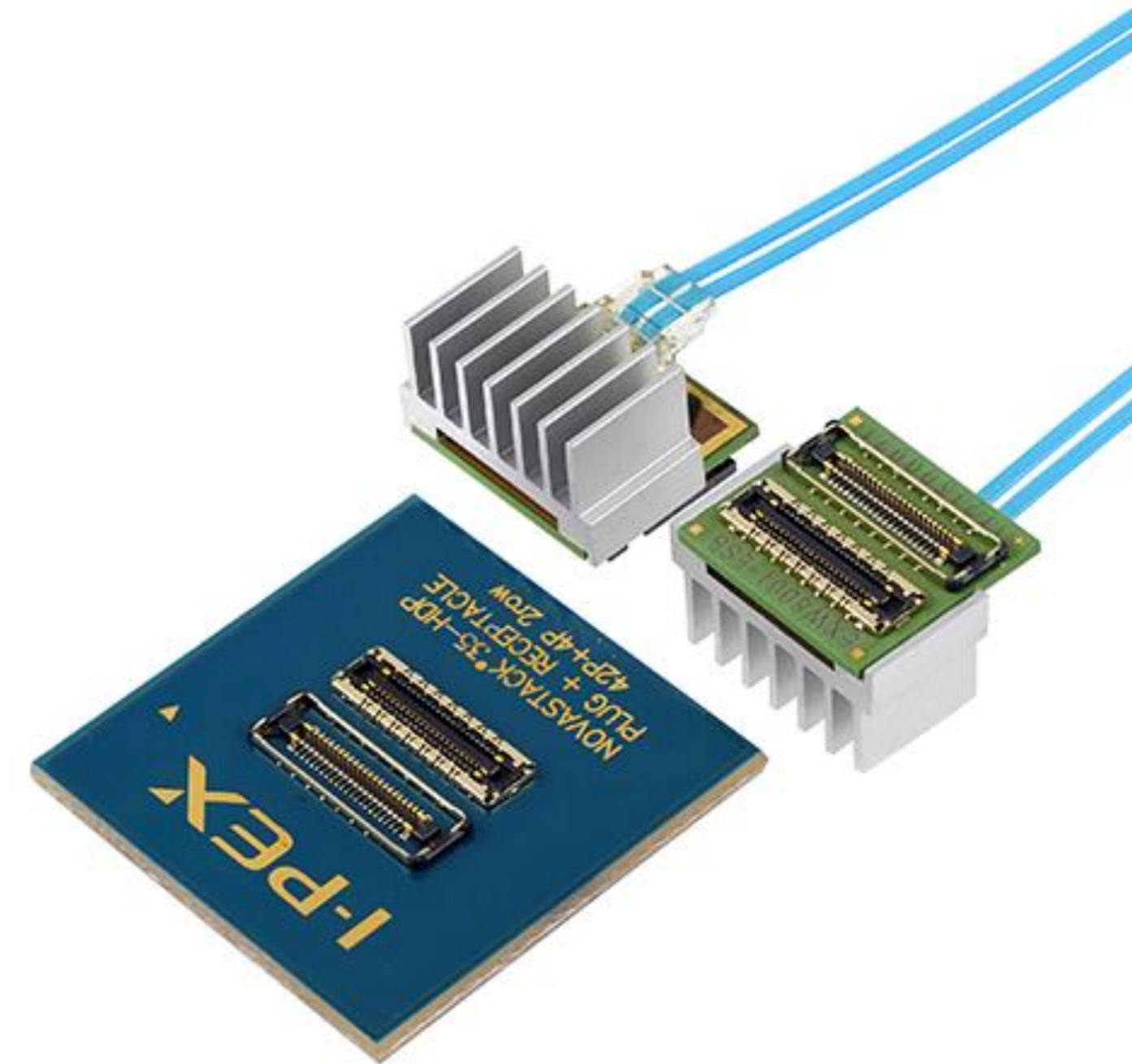


LIGHTPASS®-EOM 100G

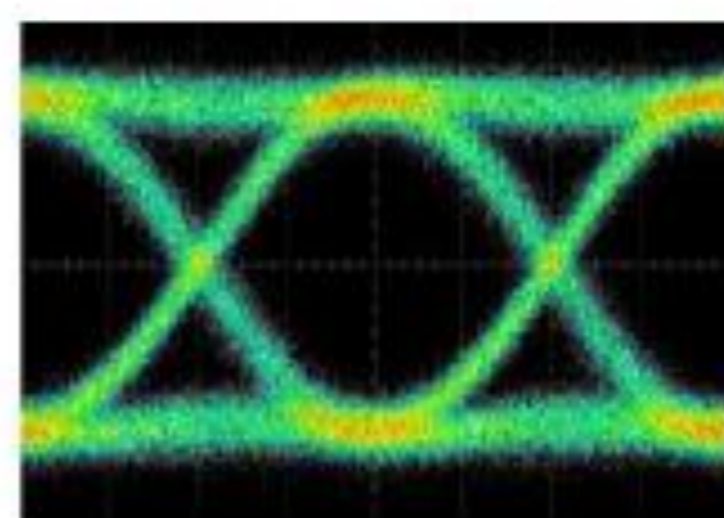
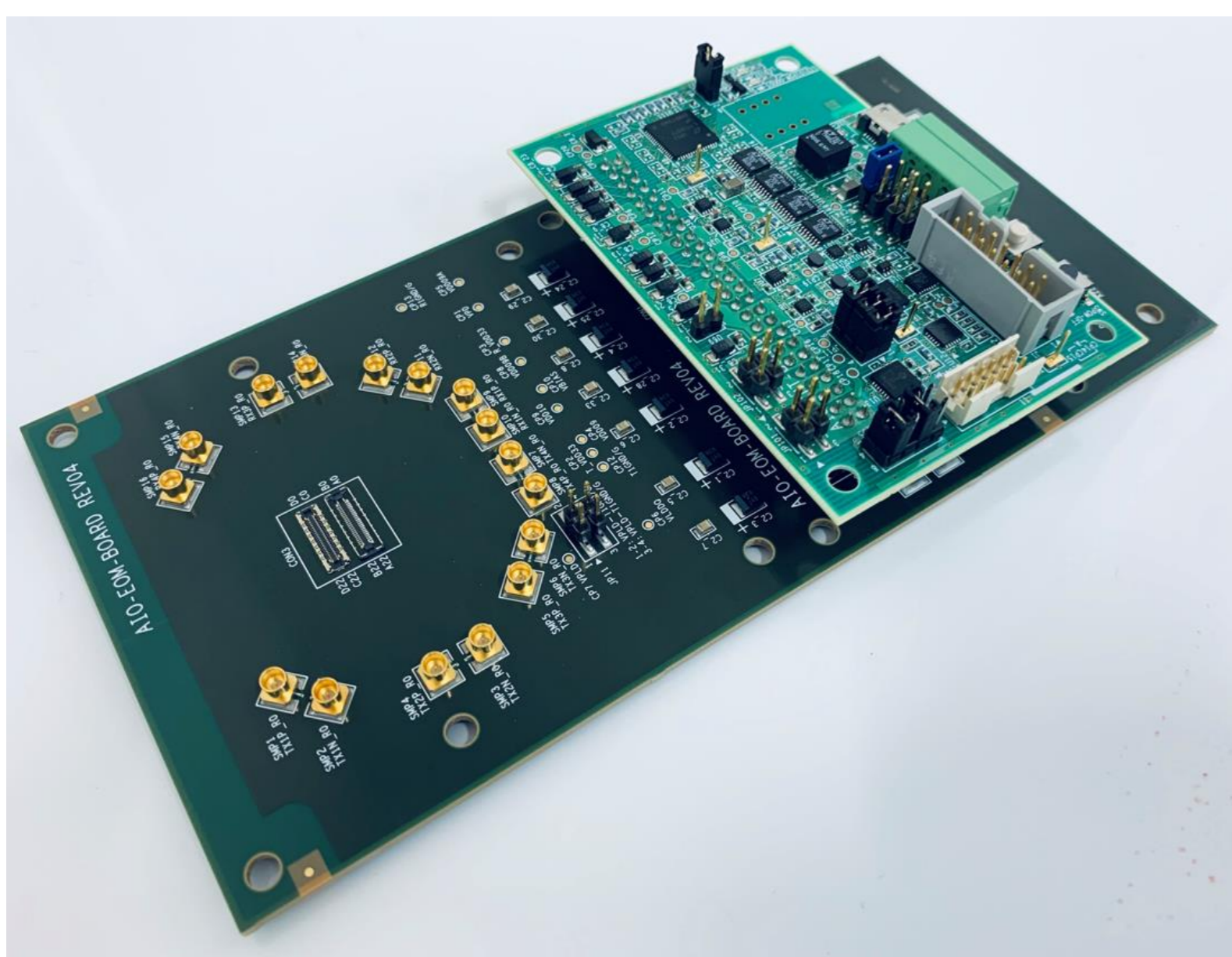
高速數據100Gbps (25Gbps x 4ch) ,雙向式,高密度,低功耗,光電轉換模組

Product Specifications:

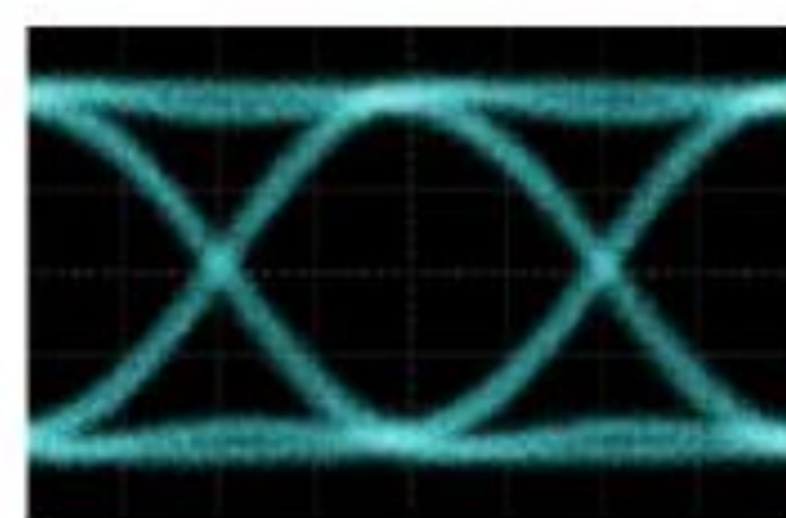
High Channel Capacity	25 Gbps x 4 ch
High Density	12 mm x 14 mm
Case Temperature Operating Range	0 to 85 degC
Electrical Interface	Socket Connection (NOVASTACK 35-HDP)
Optical Interface	12 core MT-connector
Power Supply	1.0, 1.1 and 3.3V
Low Power Consumption per Gbps	< 10 mW/Gbps for TX-RX pair



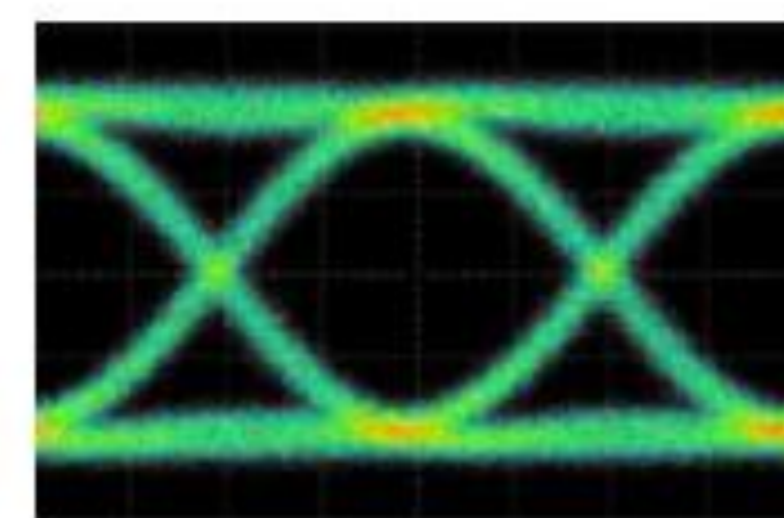
▶ 高速傳輸用光模組



-40°C



25°C



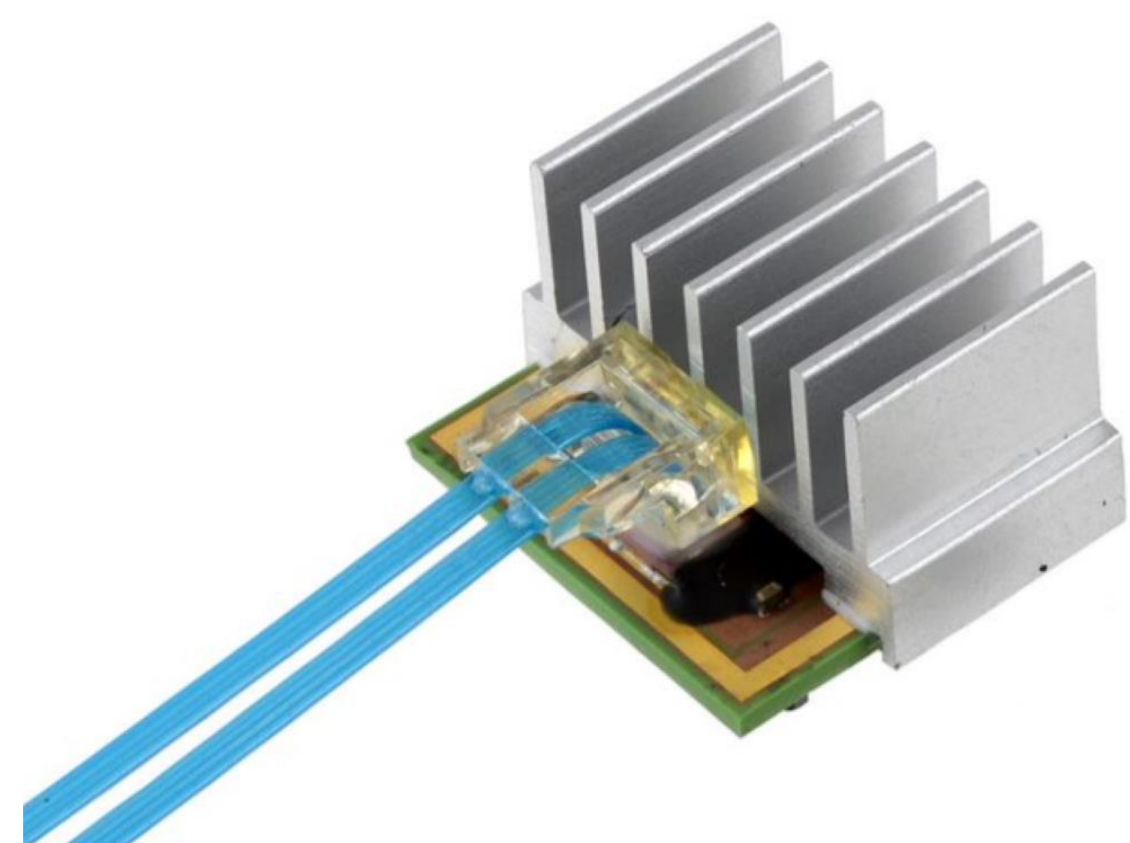
85°C

不同溫度條件下傳輸時眼圖
傳輸速率100Gbps (25Gbps x 4通道)

▶ 基於矽光子技術的低功耗設計

其他公司產品的比較

相較於傳統技術，功耗降至30%以下

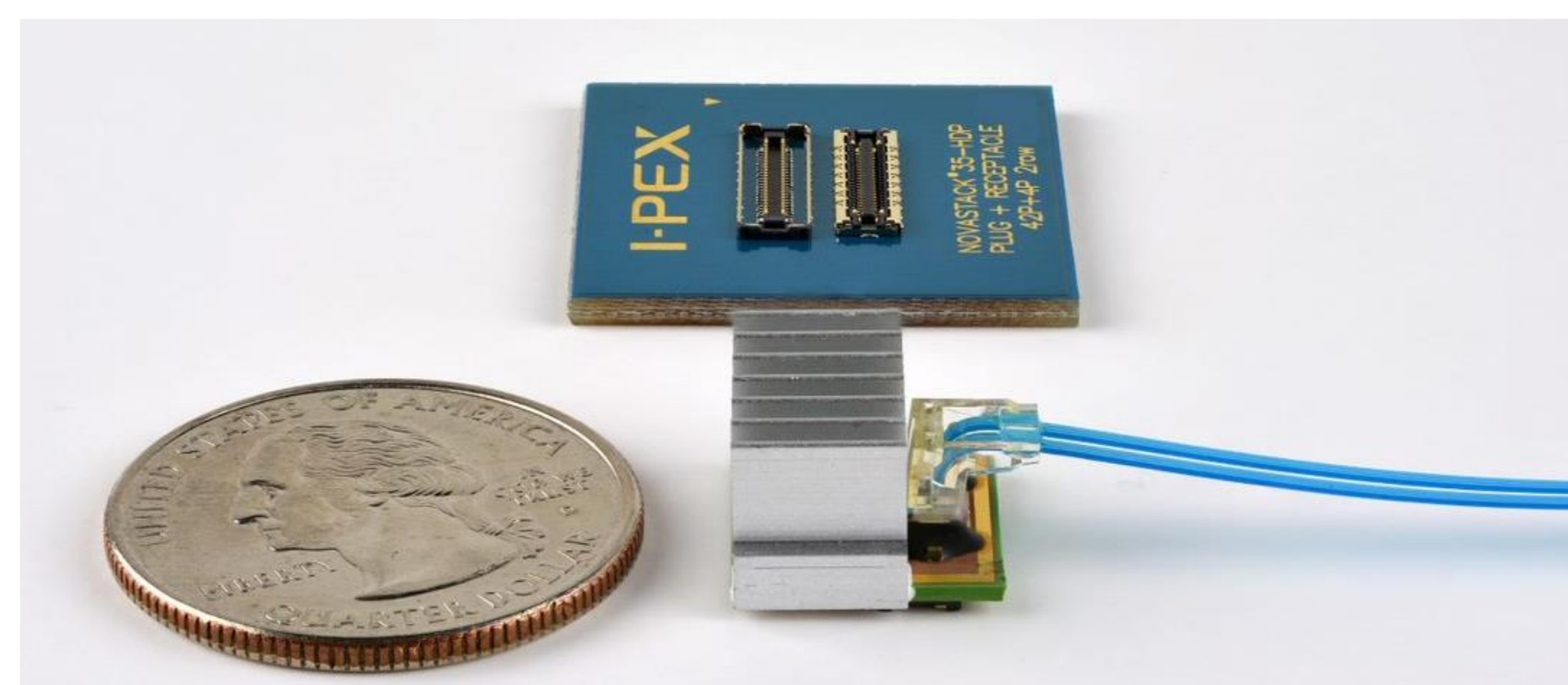
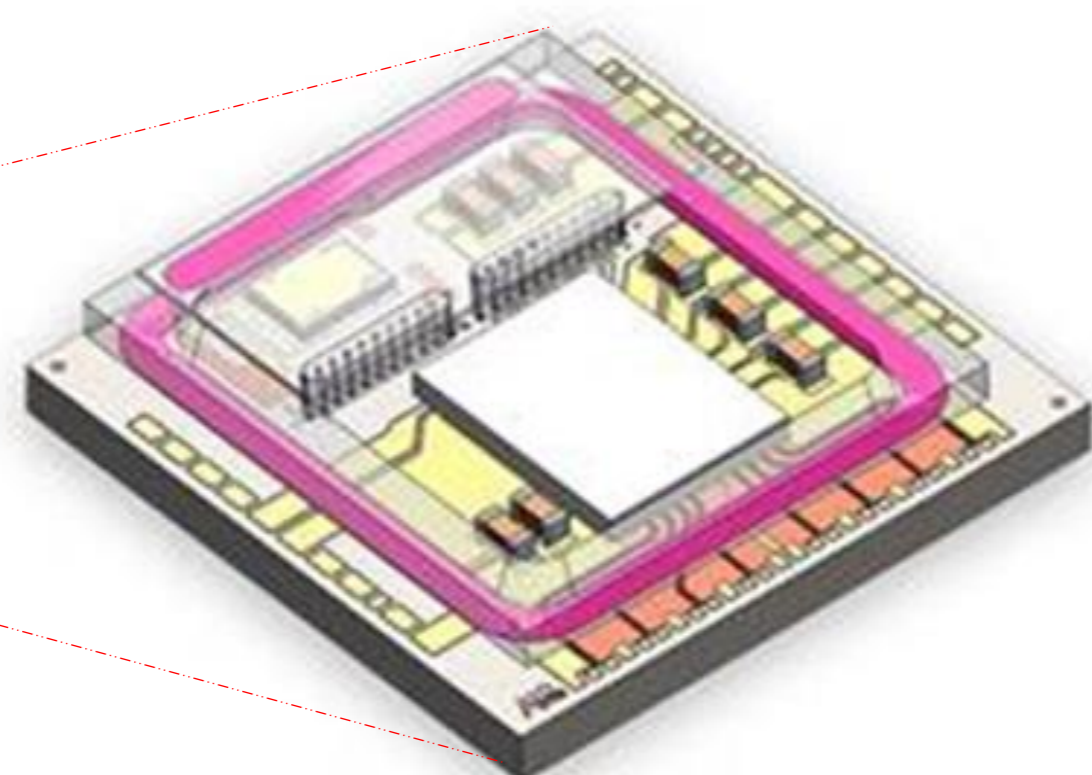
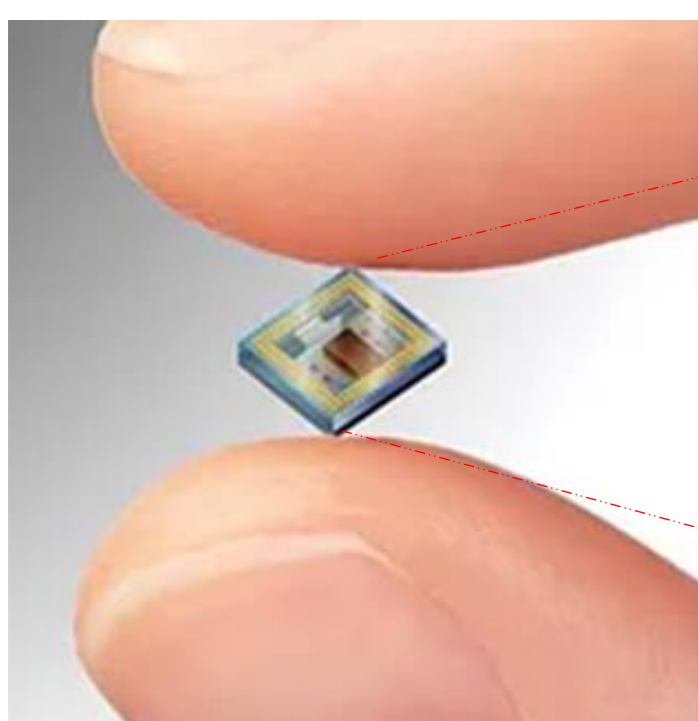


功耗 < 1W



功耗 < 3.5W

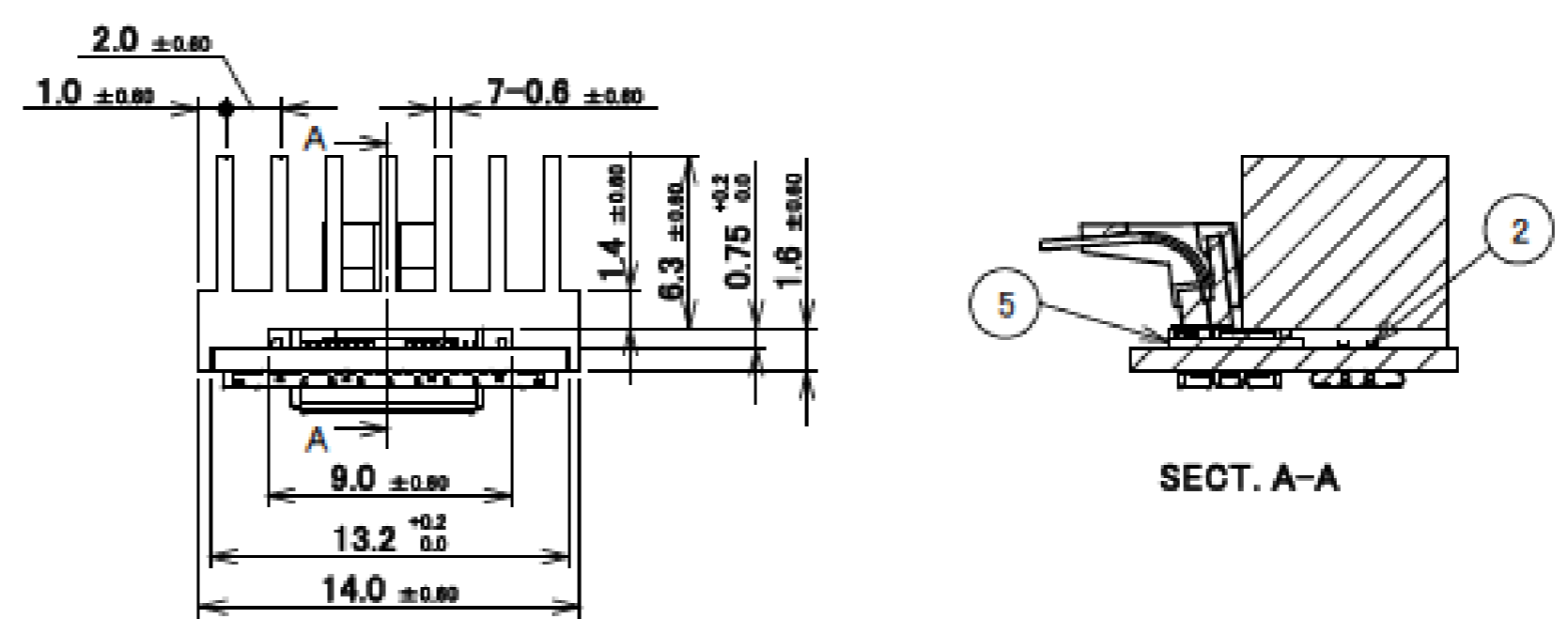
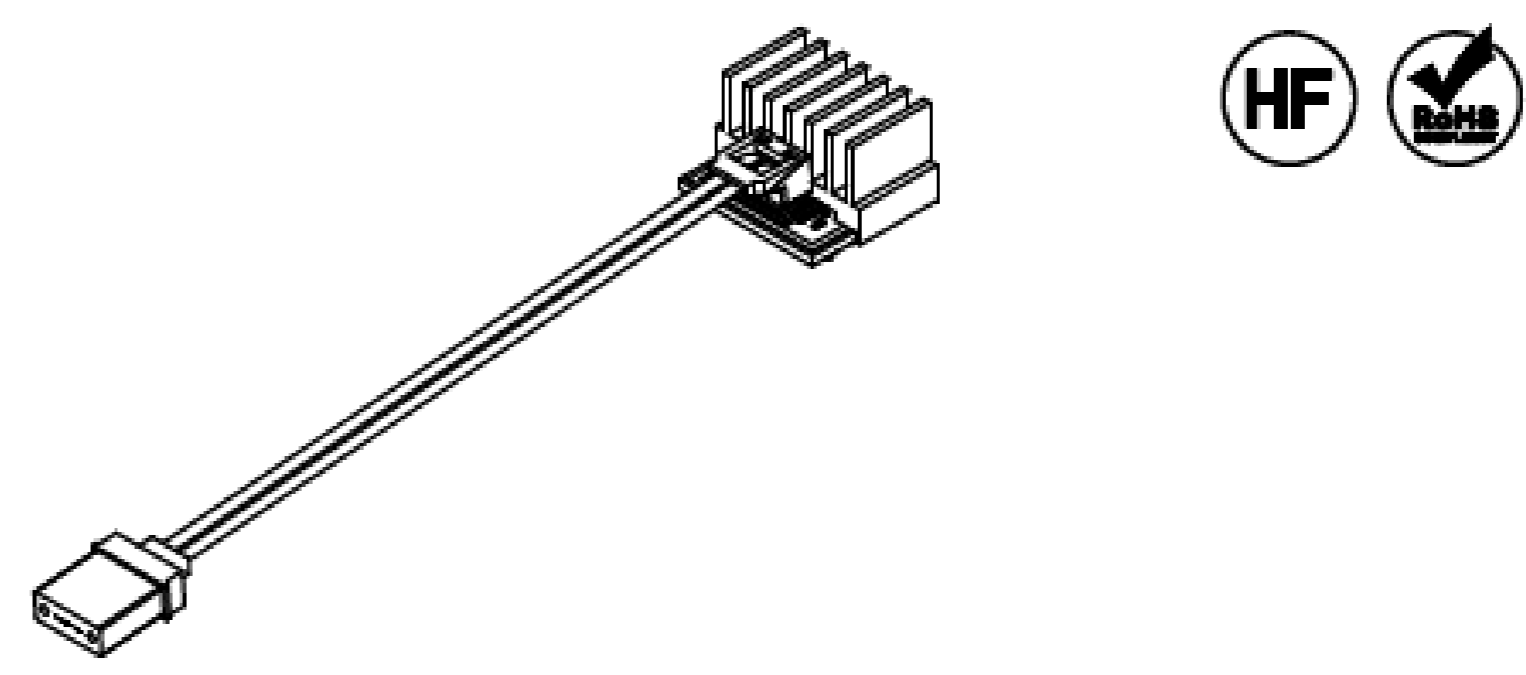
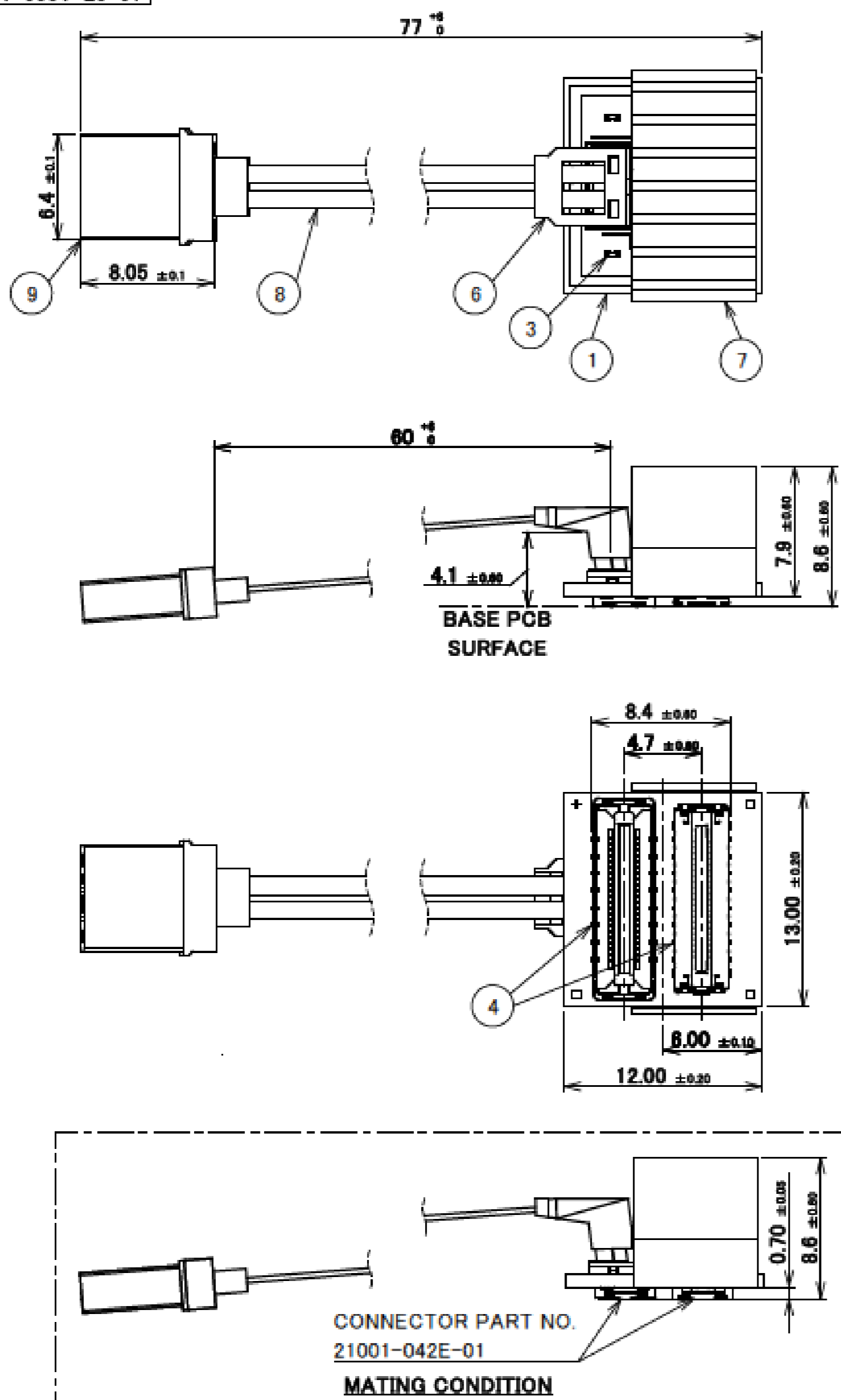
▶ 基於矽光子技術的超小型光模組



Component Parts Detail

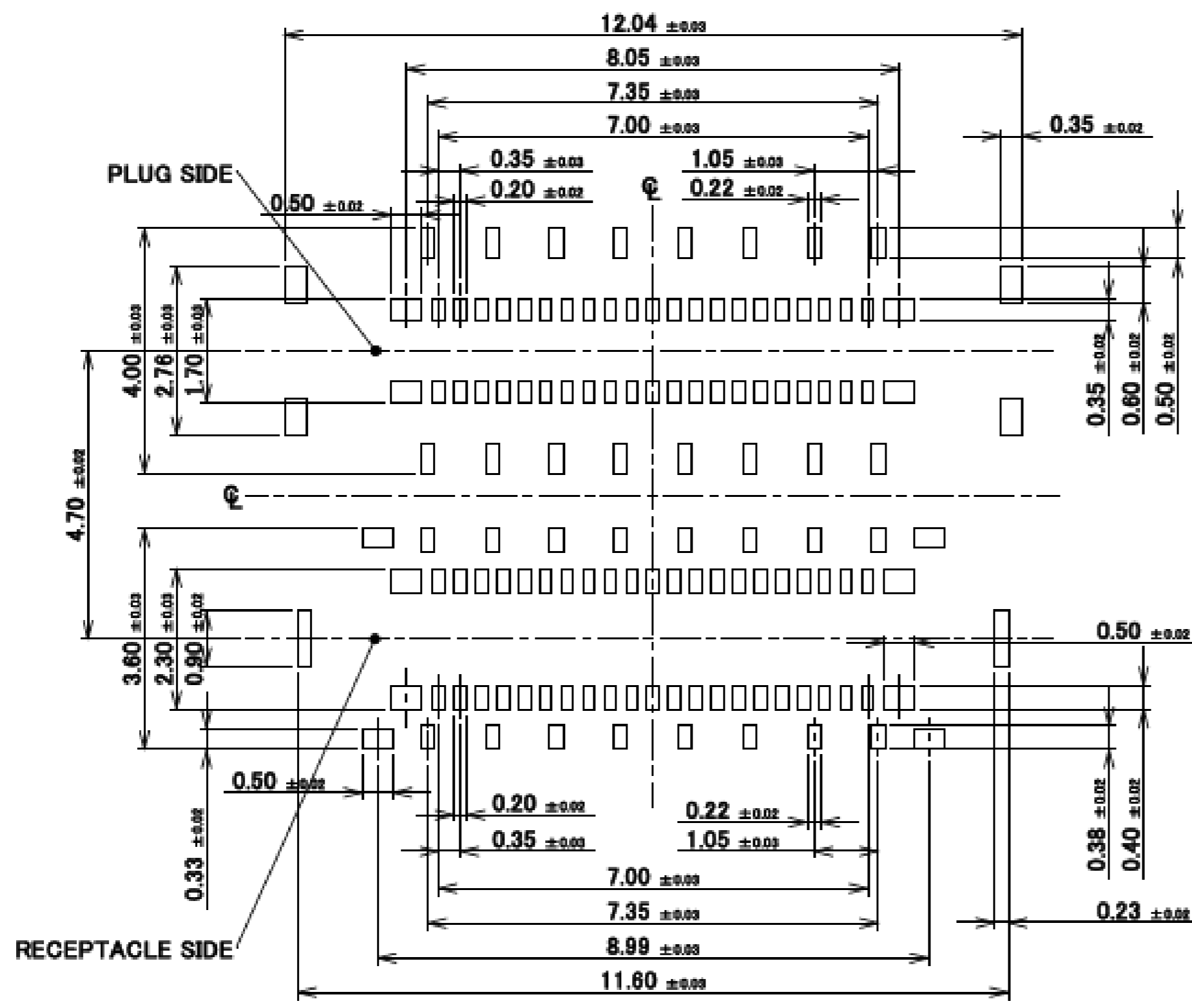
EOM 100G Optical Module

Recommended P/N 88001-000T-25-01
 PART NO.
 88001-000T-25-01

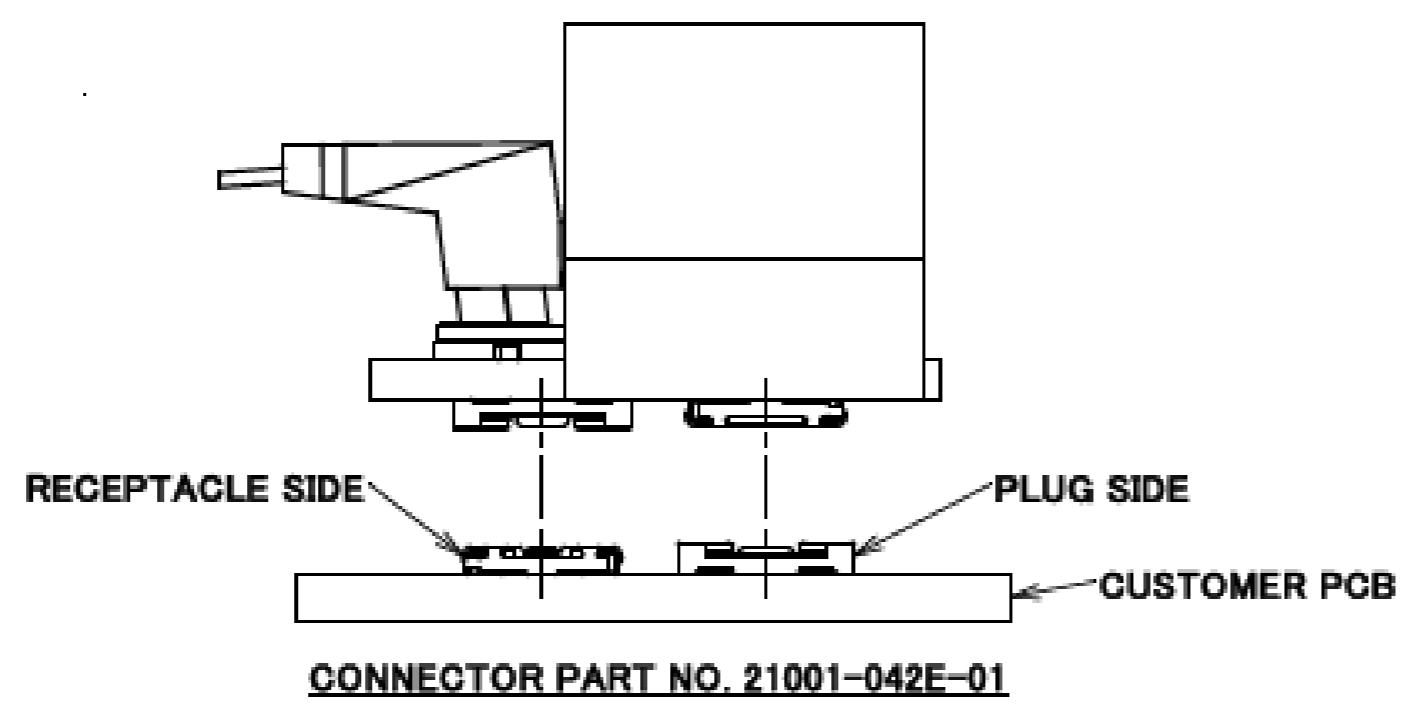
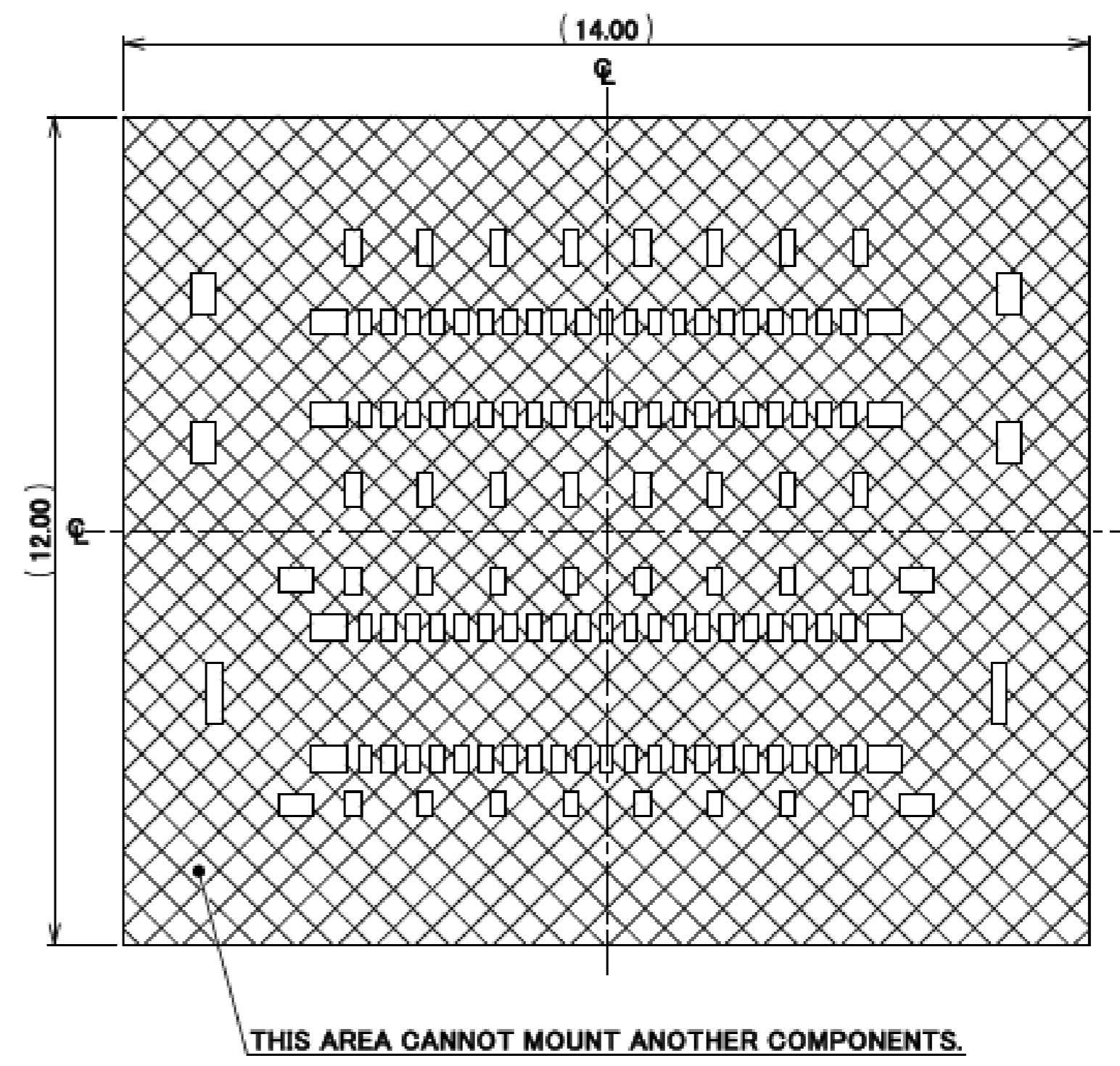


9	12-MT FERRULE	-	-
8	4-CORE TAPE FIBER x2	-	-
7	HEATSINK	-	-
6	OPTICAL CONNECTER	-	SERIAL NUMBERING
5	OPTICAL I/O CORE	-	TIP NUMBERING
4	NOVASTACK® 35-HDP WITH VACUUM CAP ASS'Y P/N 21001-042E-01	-	-
3	CAPACITOR	-	FOR POWER SUPPLY NOISE FILTER 105°C HEAT RESISTANT 0603 4V 2.2 μ F
2	CAPACITOR	-	MULTILAYER CERAMIC CAPACITOR 0402 0.1 μ F
1	GLASS CERAMIC SUBSTRATE	-	-
NO.	DESCRIPTION	MATERIAL	FINISH , REMARKS

EOM 100G Optical Module



RECOMMENDED FOOTPRINT PATTERN LAYOUT FOR CUSTOMER PCB



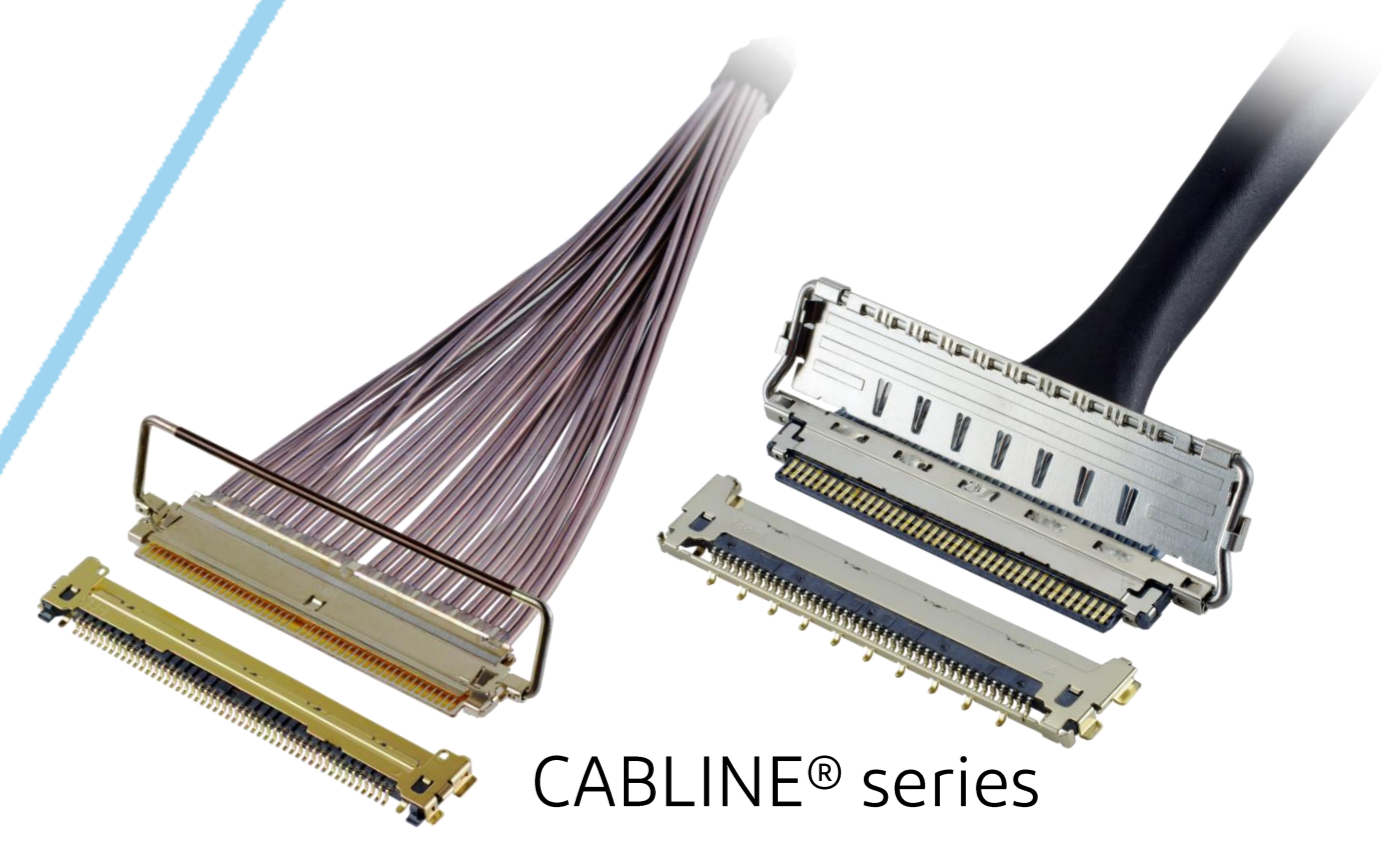
Custom Connectors Available

RF Connector

MHF® series



Micro-coaxial/Twinax/Discrete Wire Connector



CABLINE® series

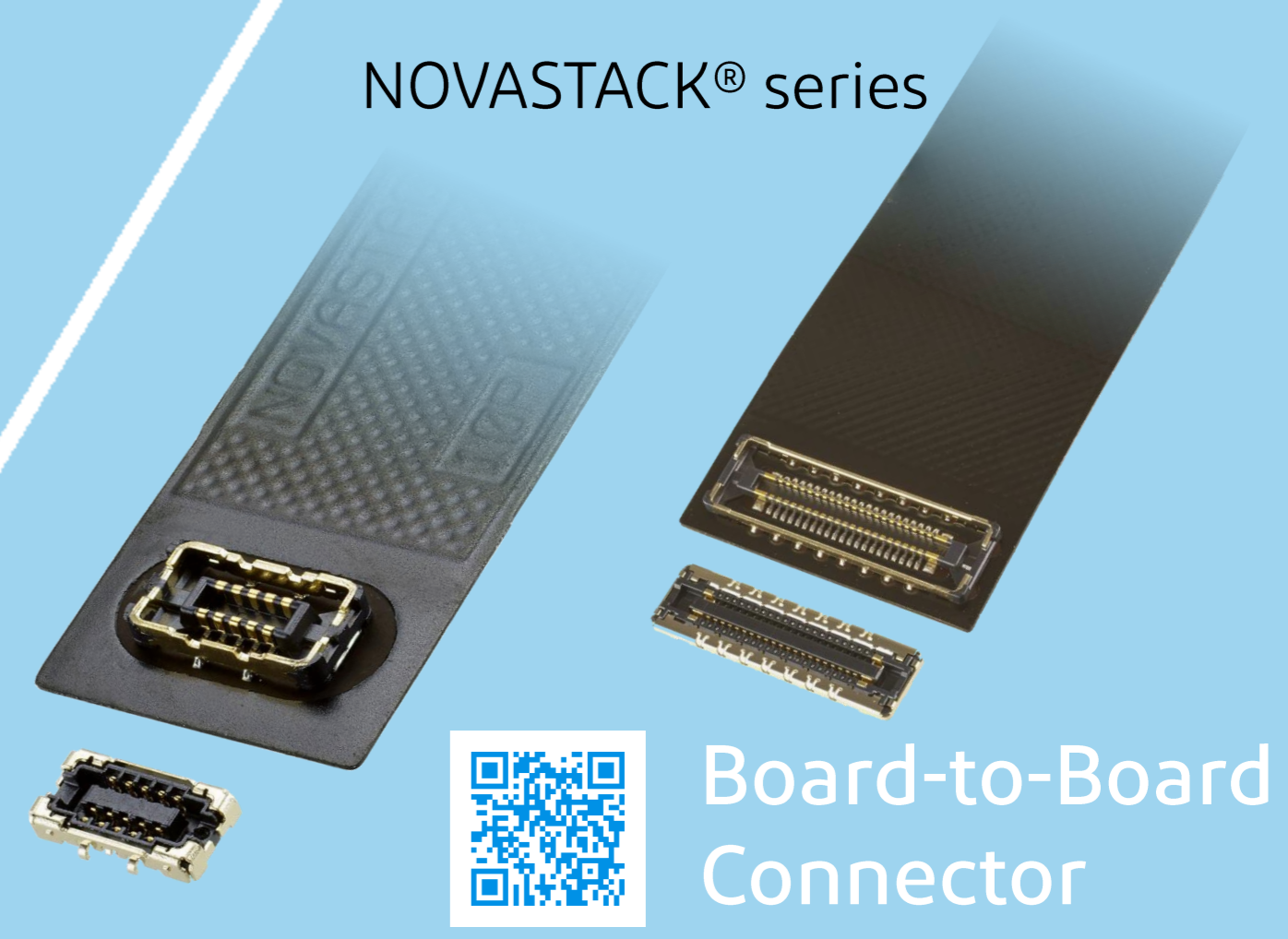


Optical Module

LIGHTPASS® series



NOVASTACK® series



Board-to-Board Connector



Power Connector/Terminal

AP series

ISH® series



MINIFLEX® series

EVAFLEX® series



FPC FFC Connector



Inquiry



MINIDOCK® series



I/O Connector

I-PEX, MHF, CABLINE, LIGHTPASS, NOVASTACK, ISH, IARPB, MINIFLEX, EVAFLEX, MINIDOCKS and ZenShield are registered trademarks of I-PEX Inc. Please note that the contents in the catalog might be changed without prior notification. I-PEX Inc. assumes no responsibility for any inaccuracies or obligation to update information on these documents. Please be sure to read and understand the latest "Precautions for Use" and "Instruction Manual" before you use our products. We shall not be responsible for any defects, damages or troubles in case you use our products without following the precautions for use. Please feel free to contact our sales representatives when you use our products for any applications that require very high reliability and safety, or that relate to human life (ex. nuclear power control, aerospace, transportation, medical equipment, safety equipment etc.).

Contact your sales representative or more detailed information.

www.i-pex.com



I-PEX

© I-PEX Inc. 2024
All rights reserved