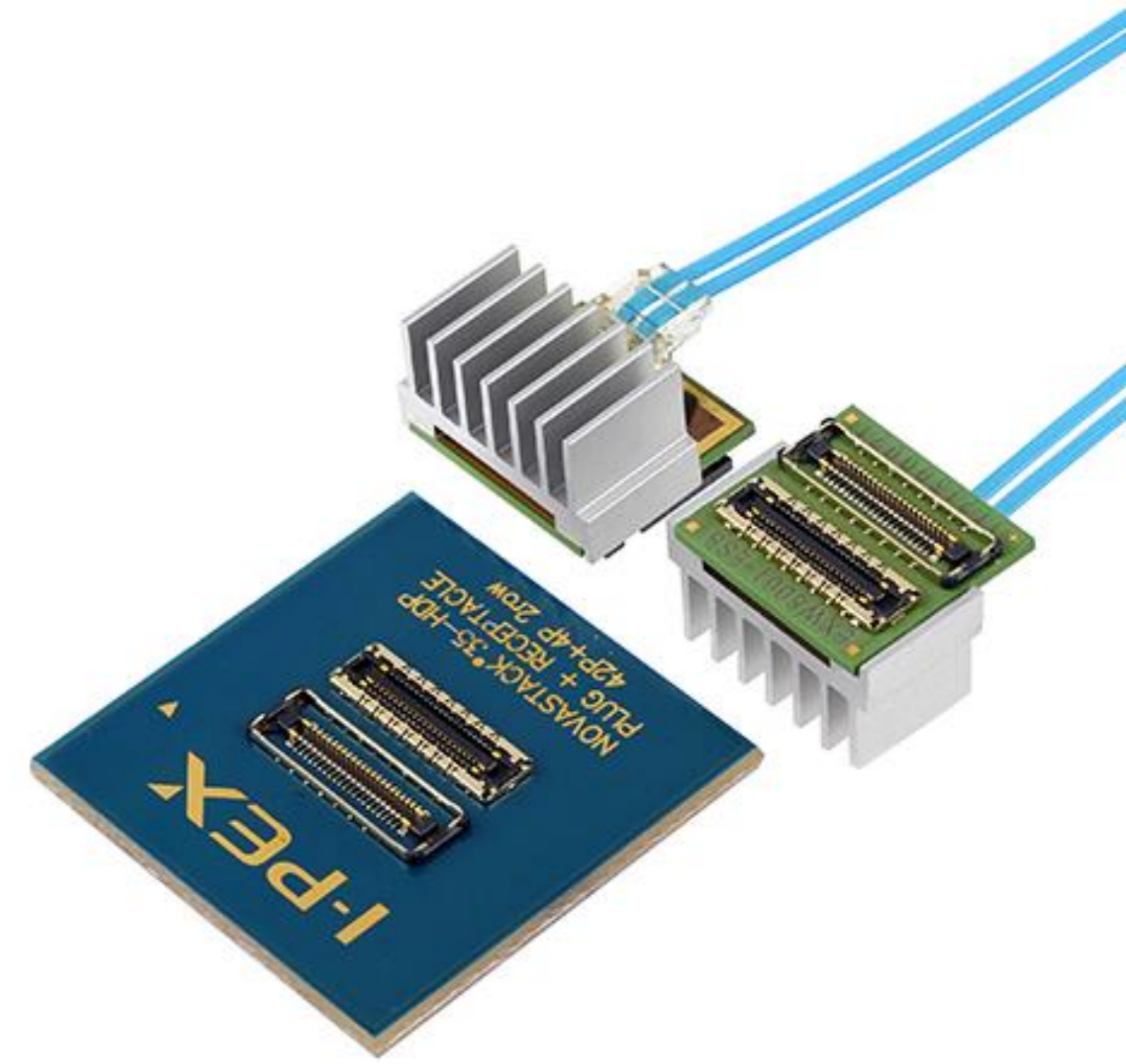


LIGHTPASS®-EOM 100G

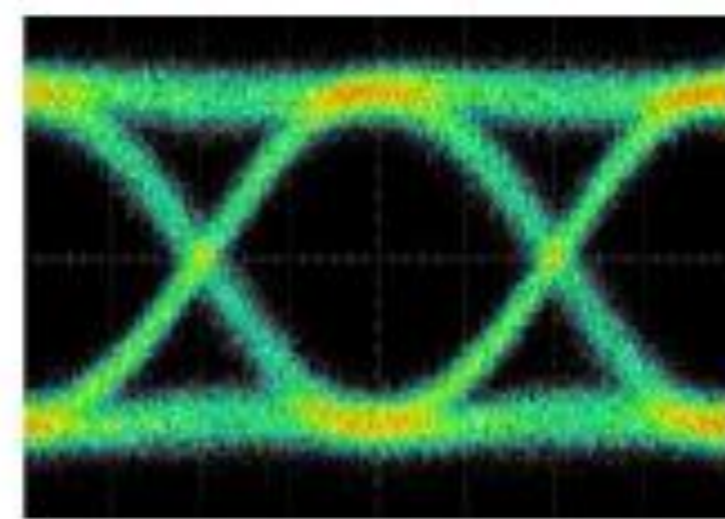
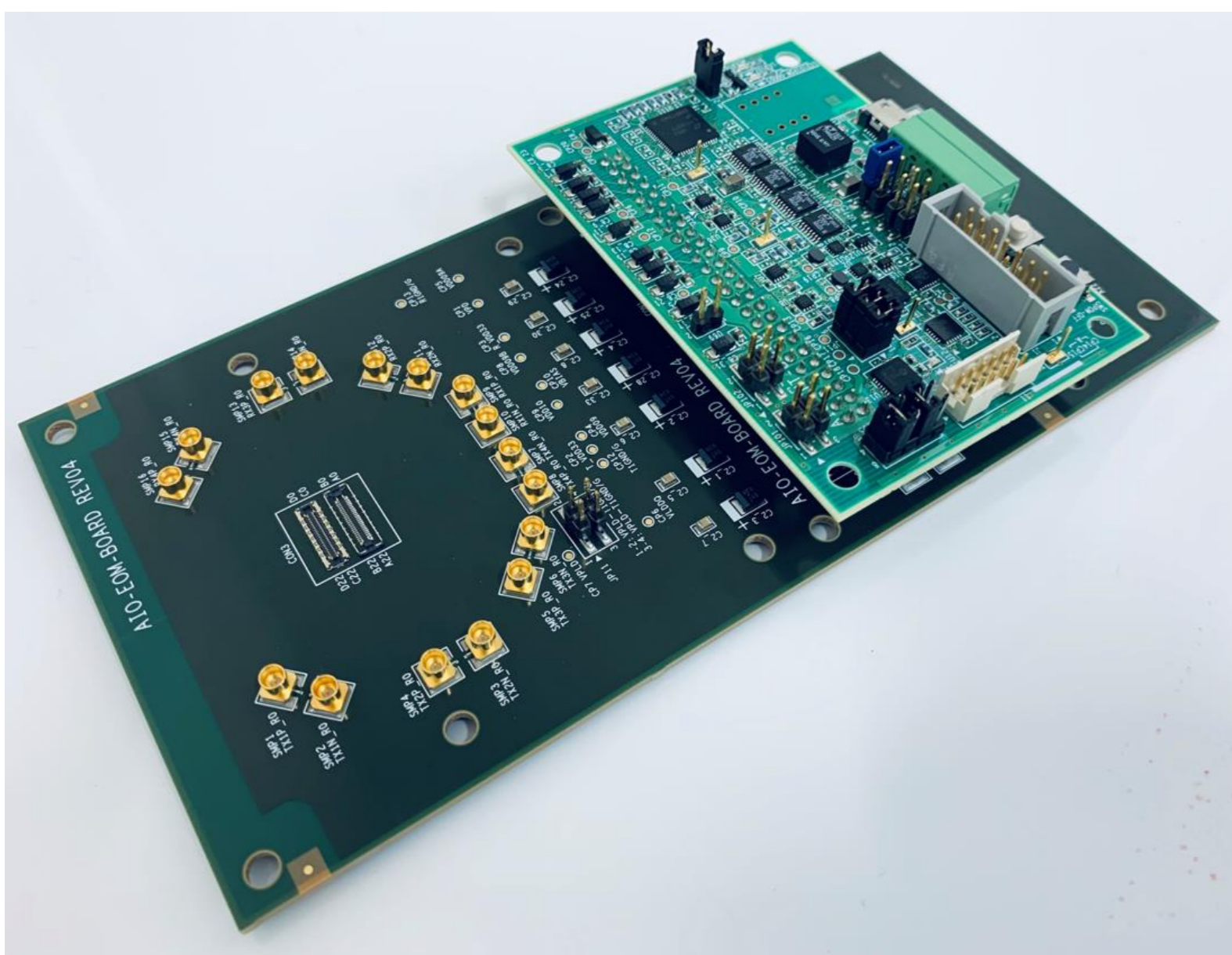
高速数据100Gbps (25Gbps x 4ch),双向式,高密度,低功耗,光电转换模组

Product Specifications:

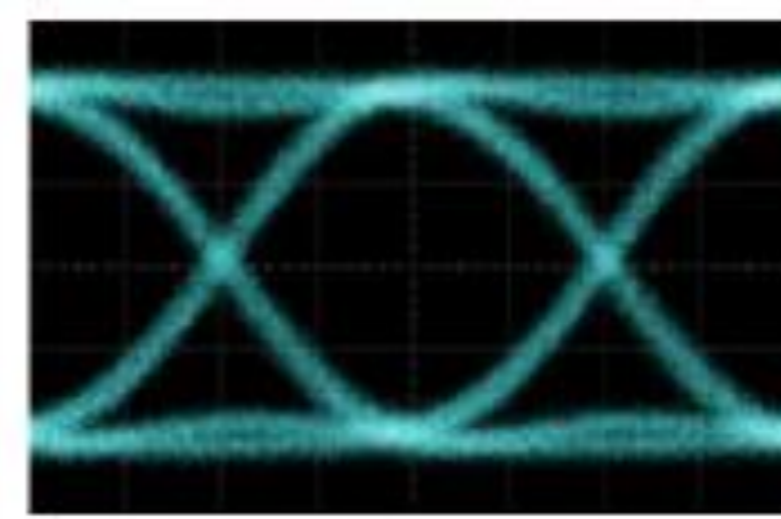
High Channel Capacity	25 Gbps x 4 ch
High Density	12 mm x 14 mm
Case Temperature Operating Range	0 to 85 degC
Electrical Interface	Socket Connection (NOVASTACK 35-HDP)
Optical Interface	12 core MT-connector
Power Supply	1.0, 1.1 and 3.3V
Low Power Consumption per Gbps	< 10 mW/Gbps for TX-RX pair



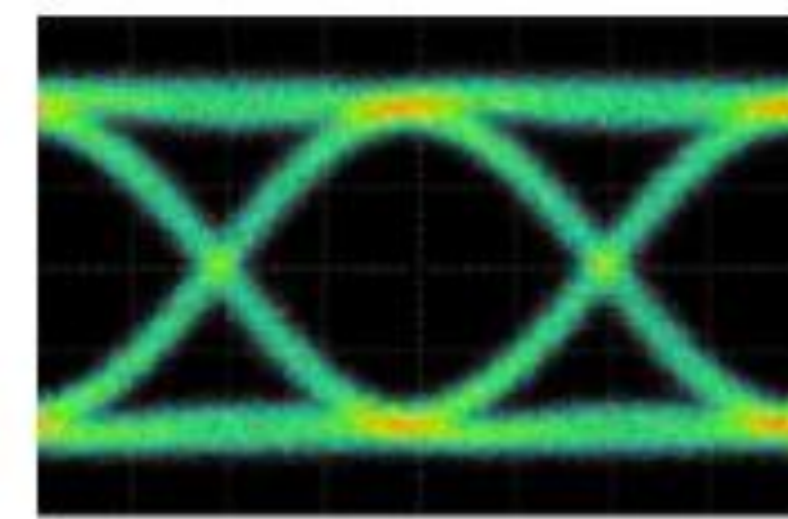
▶ 高速传输用光模组



-40°C



25°C



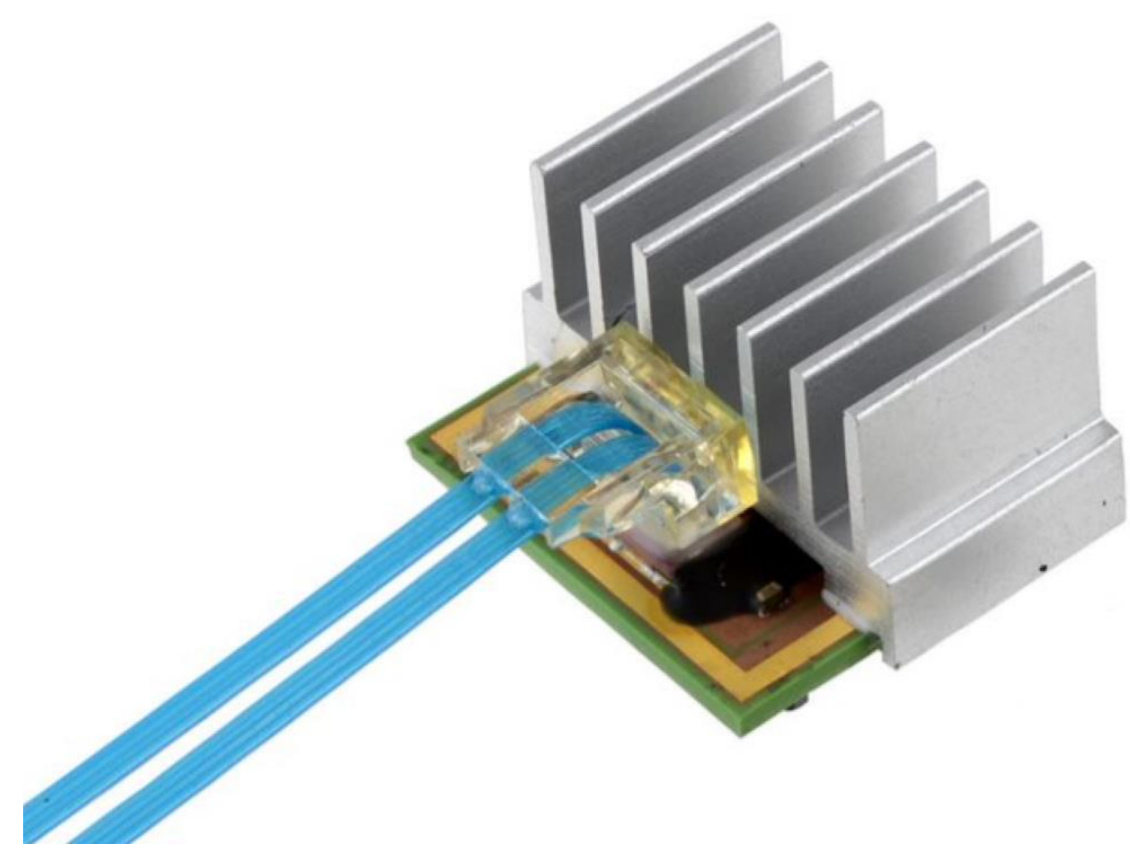
85°C

不同温度条件下传输时眼图
传输速率100Gbps (25Gbps x 4通道)

▶ 基于硅光子技术的低功耗设计

其他公司产品的比较

相较于传统技术, 功耗降至30%以下

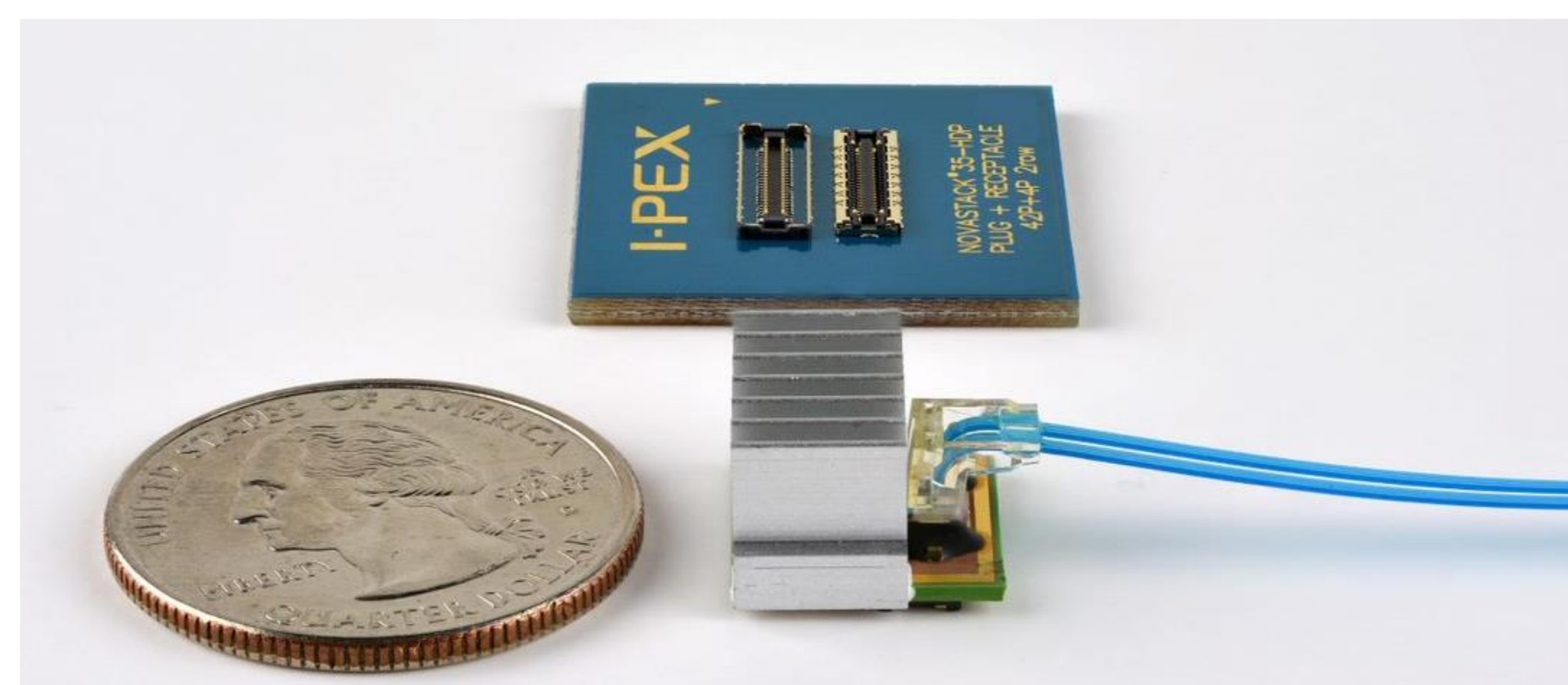
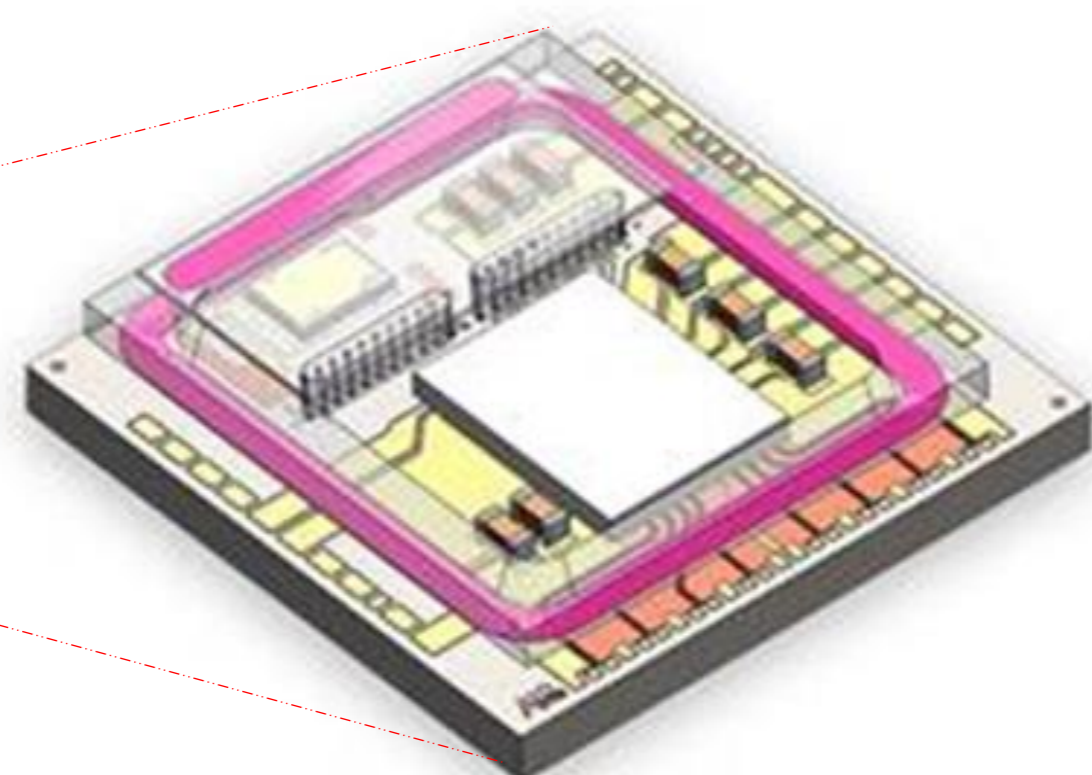
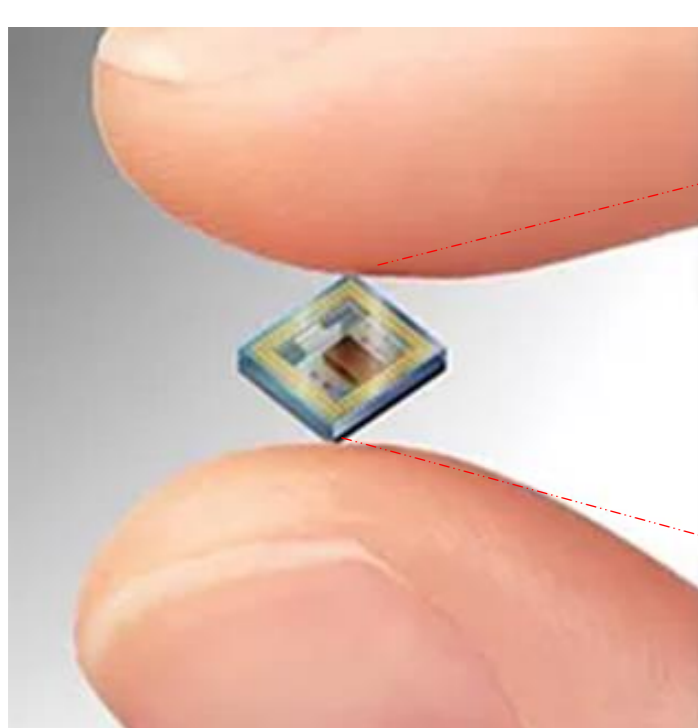


功耗 < 1W



功耗 < 3.5W

▶ 基于硅光子技术的超小型光模组

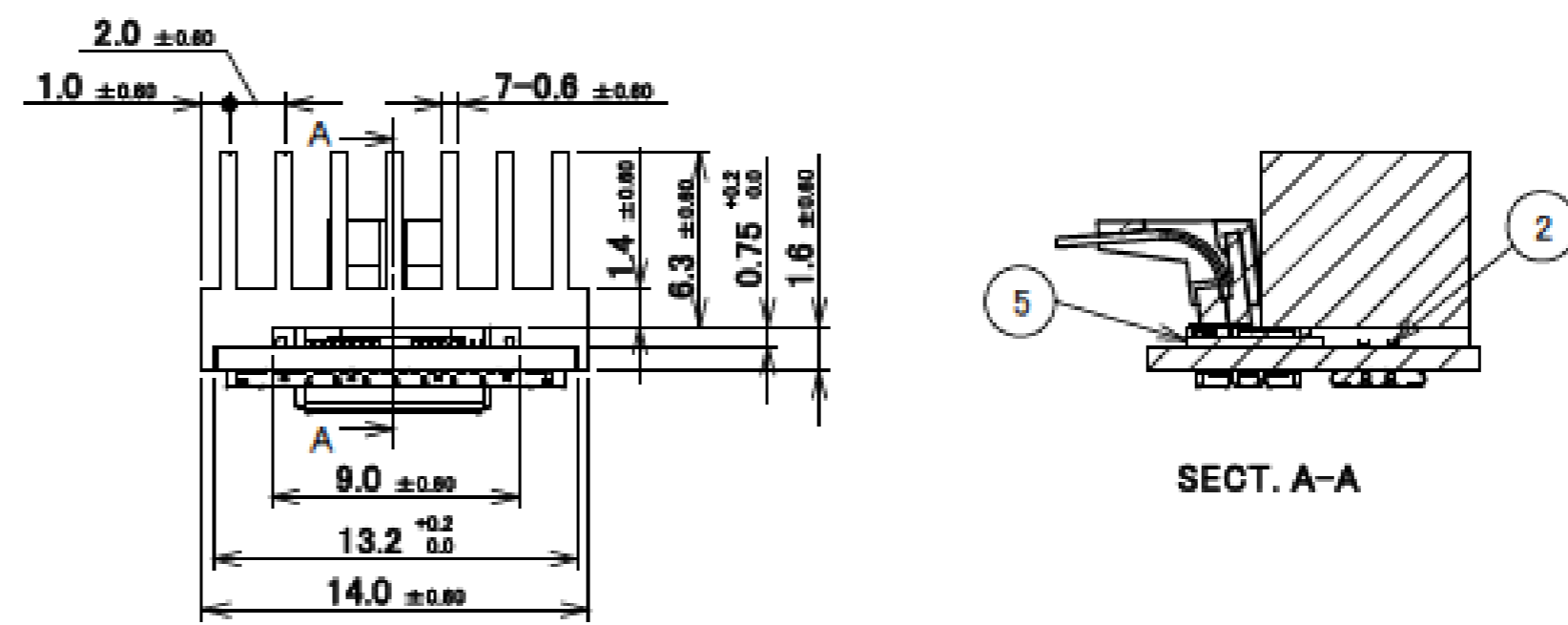
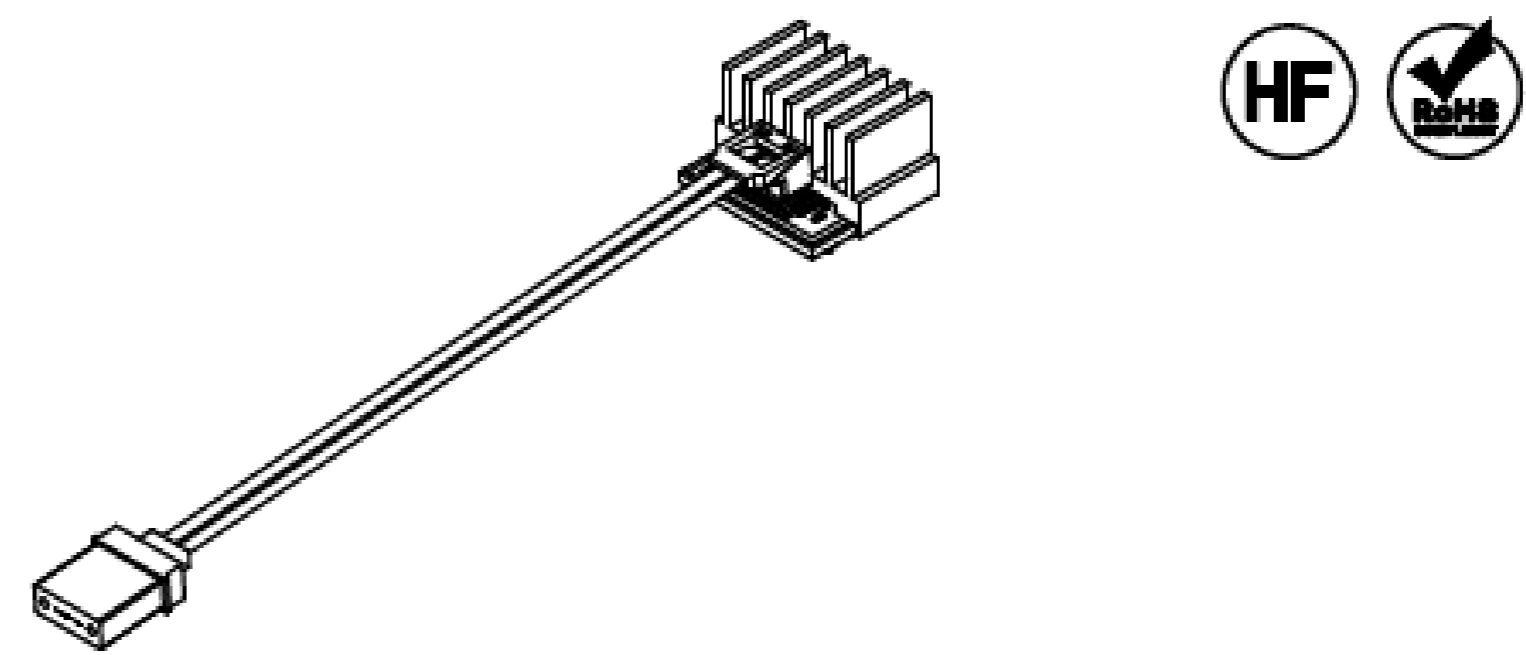
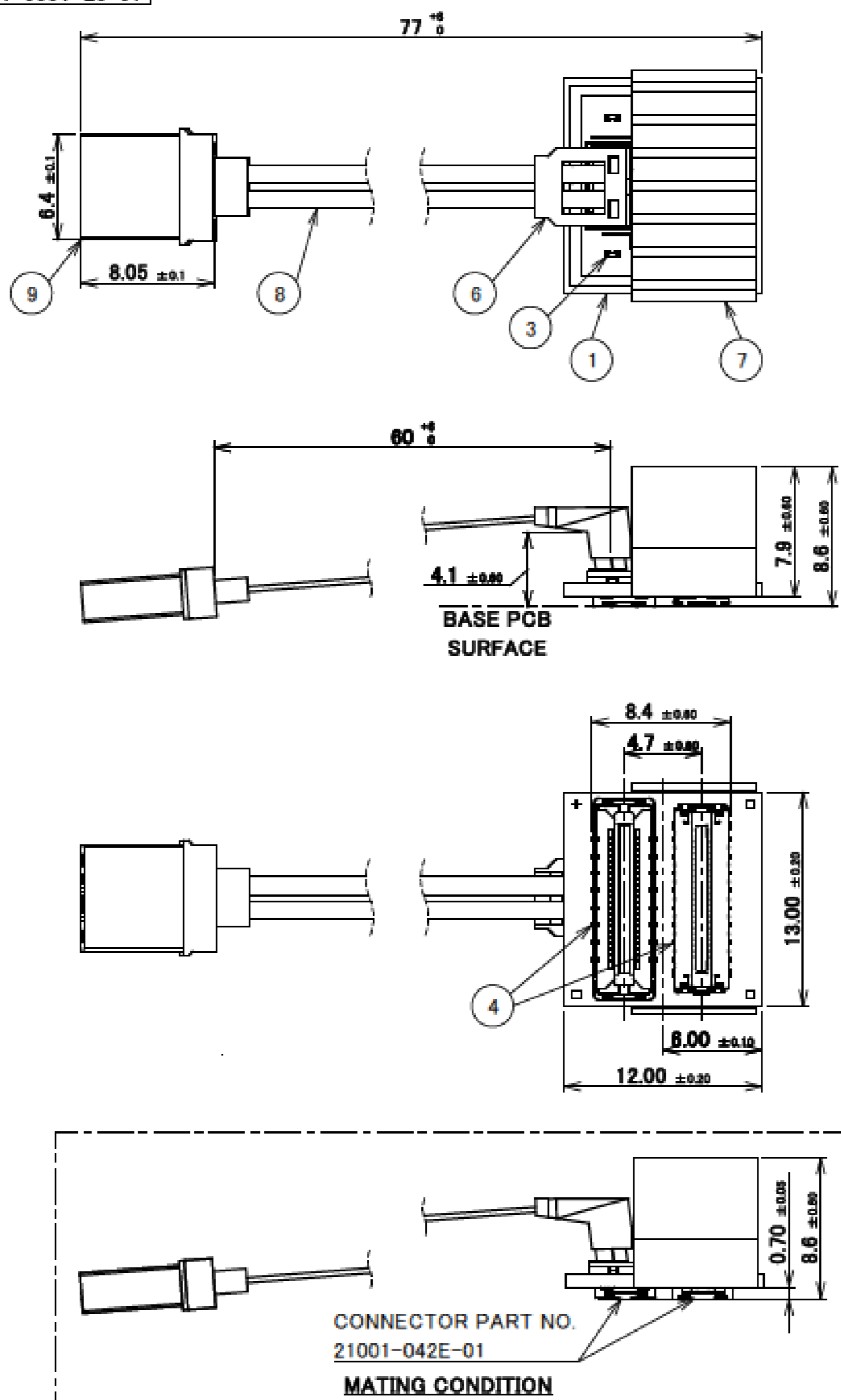


散热片
通过散热片实现模组降温

Component Parts Detail

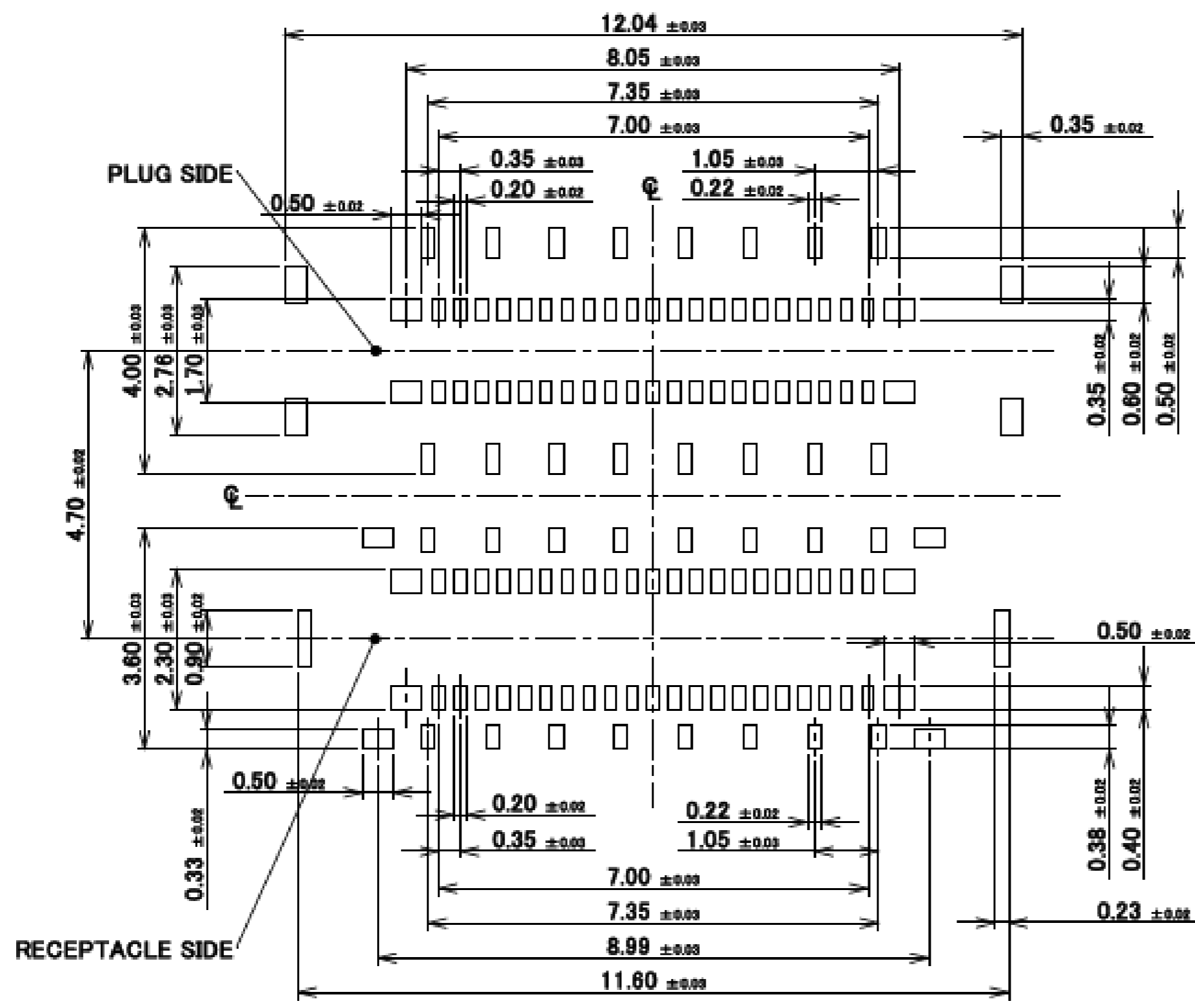
EOM 100G Optical Module

Recommended P/N 88001-000T-25-01
 PART NO.
 88001-000T-25-01

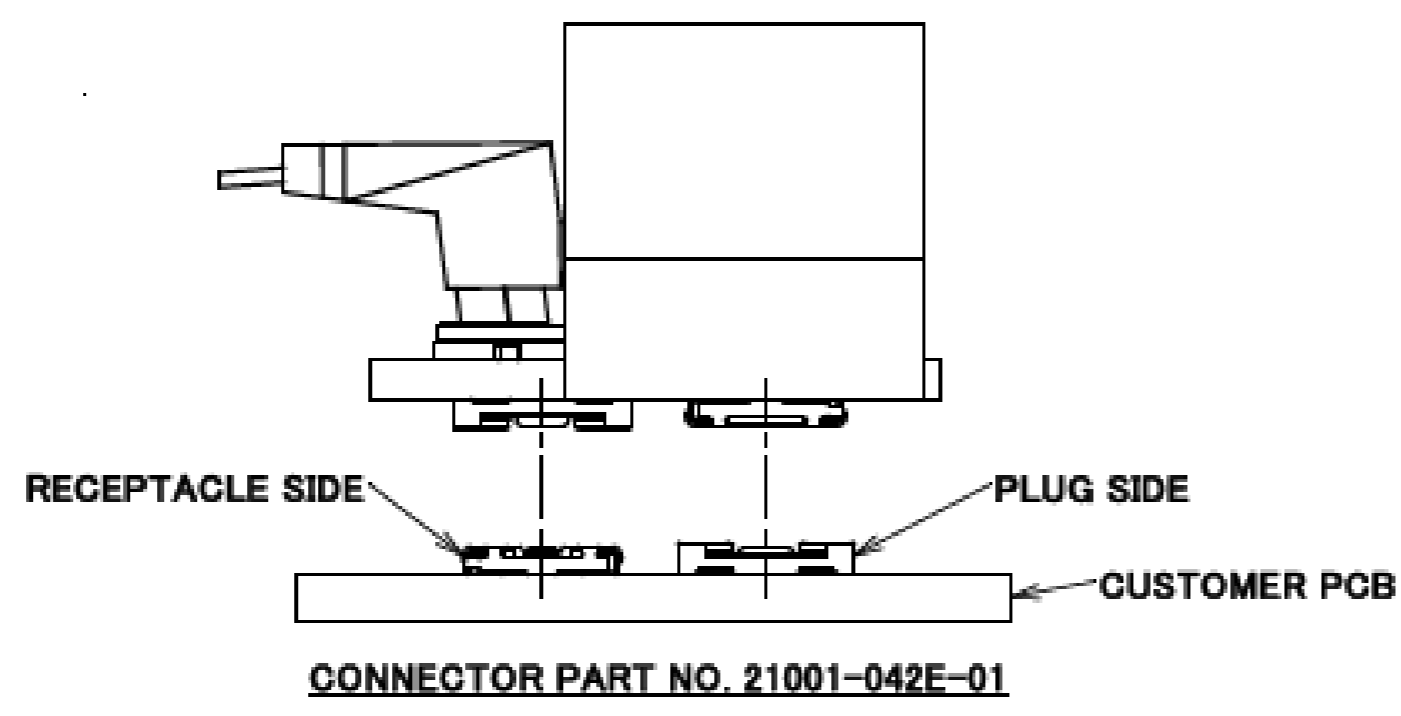
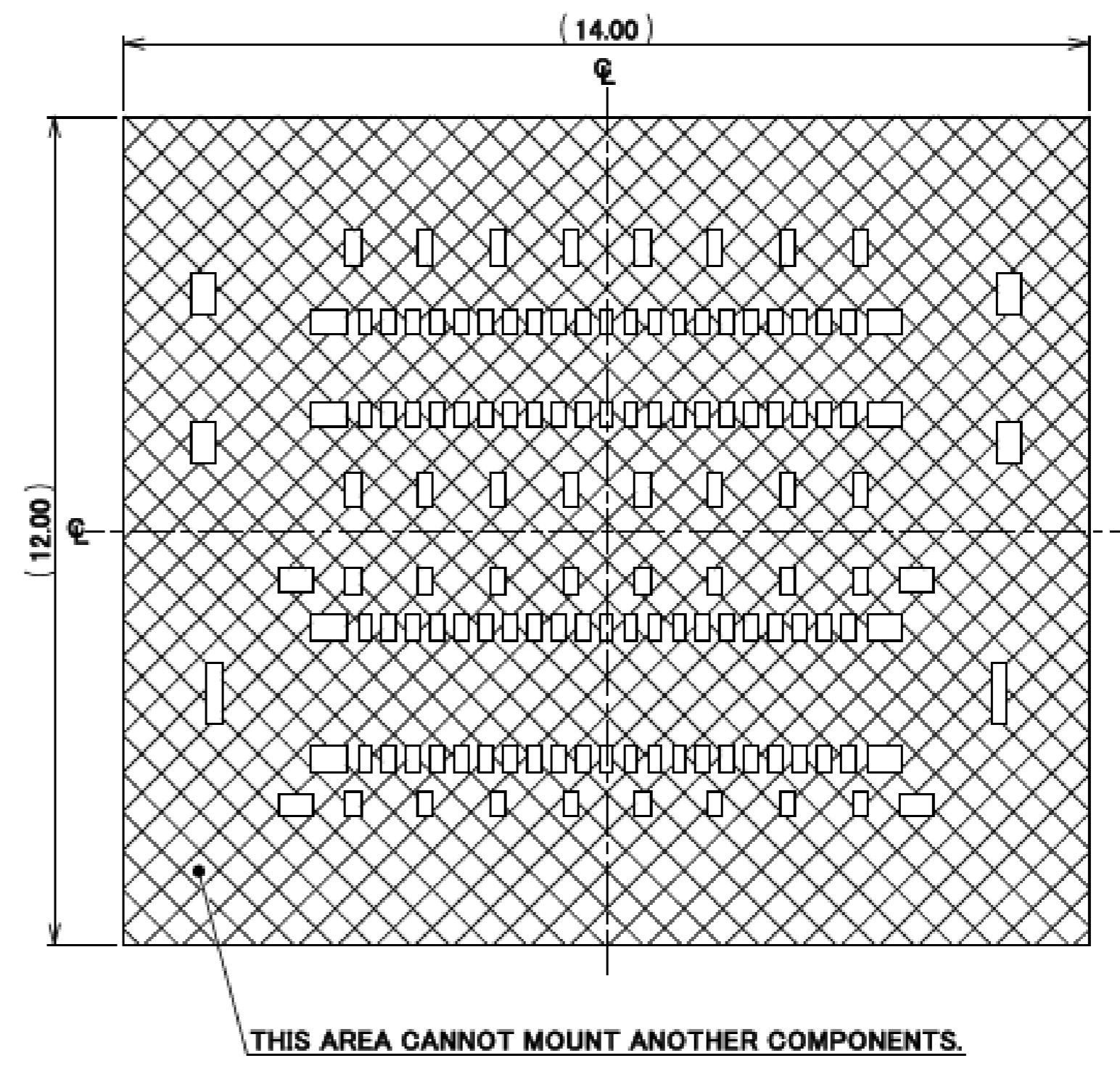


9	12-MT FERRULE	-	-
8	4-CORE TAPE FIBER x2	-	-
7	HEATSINK	-	-
6	OPTICAL CONNECTER	-	SERIAL NUMBERING
5	OPTICAL I/O CORE	-	TIP NUMBERING
4	NOVASTACK® 35-HDP WITH VACUUM CAP ASS'Y P/N 21001-042E-01	-	-
3	CAPACITOR	-	FOR POWER SUPPLY NOISE FILTER 105°C HEAT RESISTANT 0603 4V 2.2 μ F
2	CAPACITOR	-	MULTILAYER CERAMIC CAPACITOR 0402 0.1 μ F
1	GLASS CERAMIC SUBSTRATE	-	-
NO.	DESCRIPTION	MATERIAL	FINISH , REMARKS

EOM 100G Optical Module



RECOMMENDED FOOTPRINT PATTERN LAYOUT FOR CUSTOMER PCB



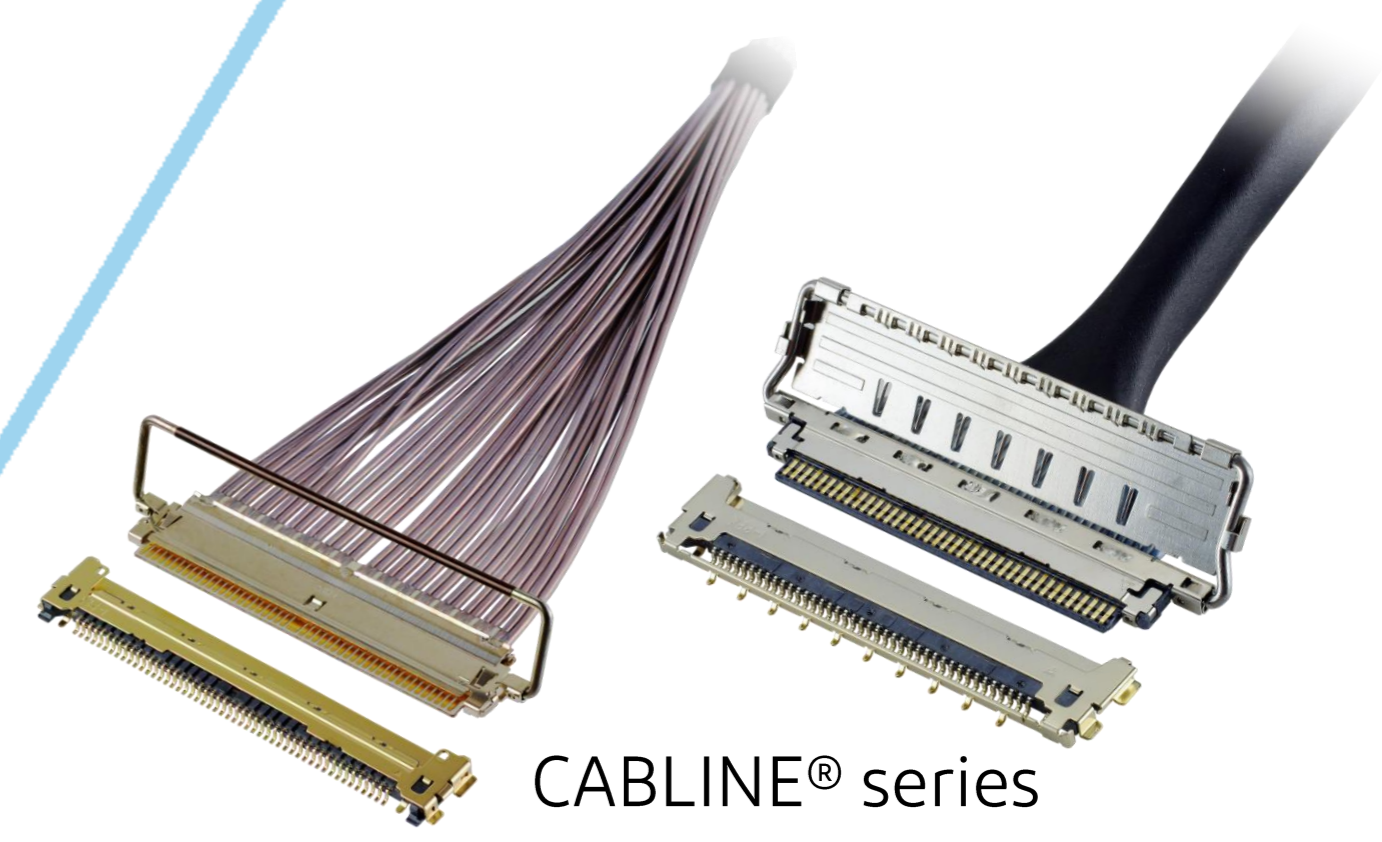
Custom Connectors Available

RF Connector

MHF® series



Micro-coaxial/Twinax/Discrete Wire Connector



CABLINE® series

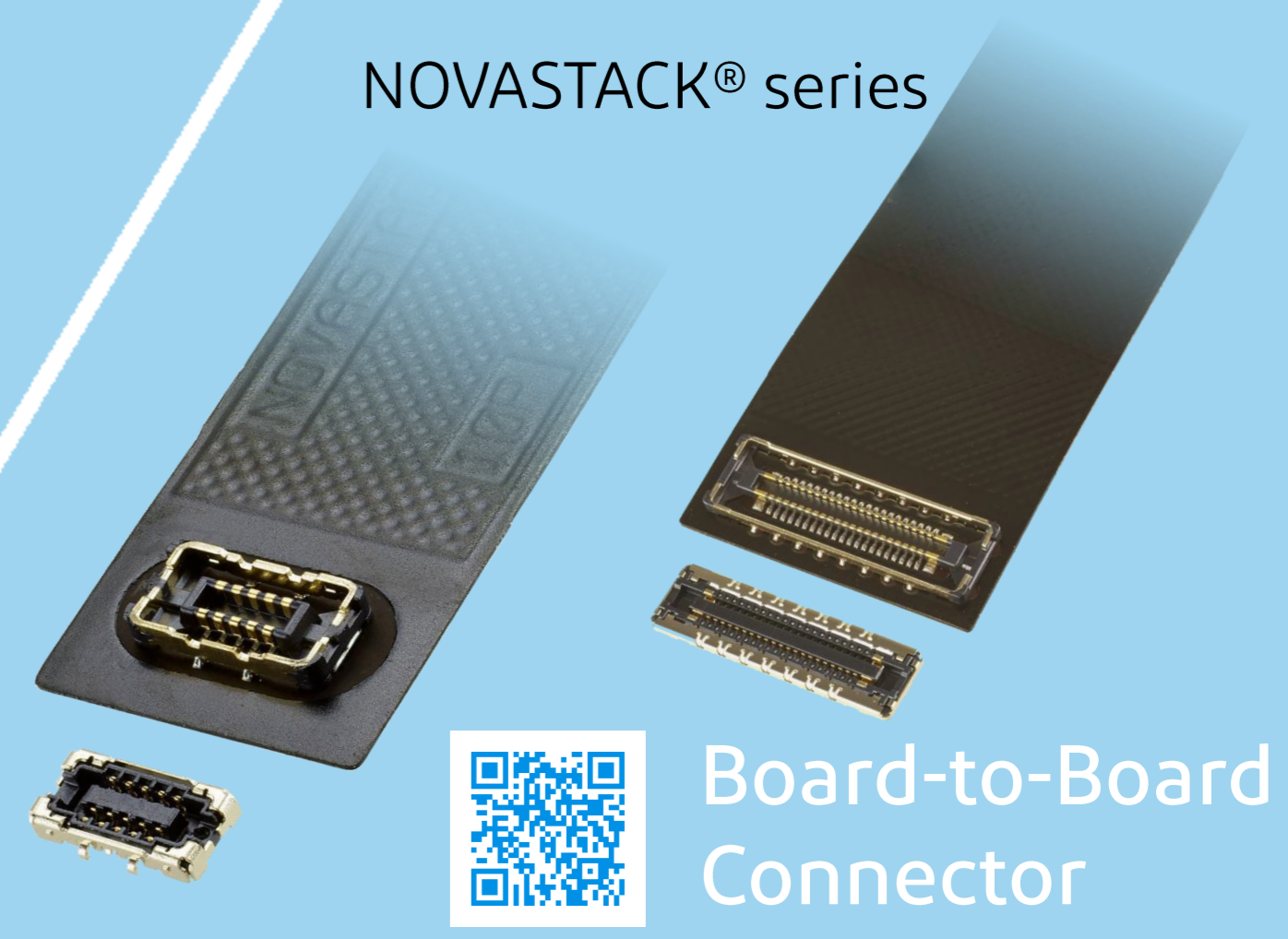


Optical Module

LIGHTPASS® series



NOVASTACK® series



Board-to-Board Connector



Power Connector/Terminal

AP series

ISH® series



MINIFLEX® series

EVAFLEX® series



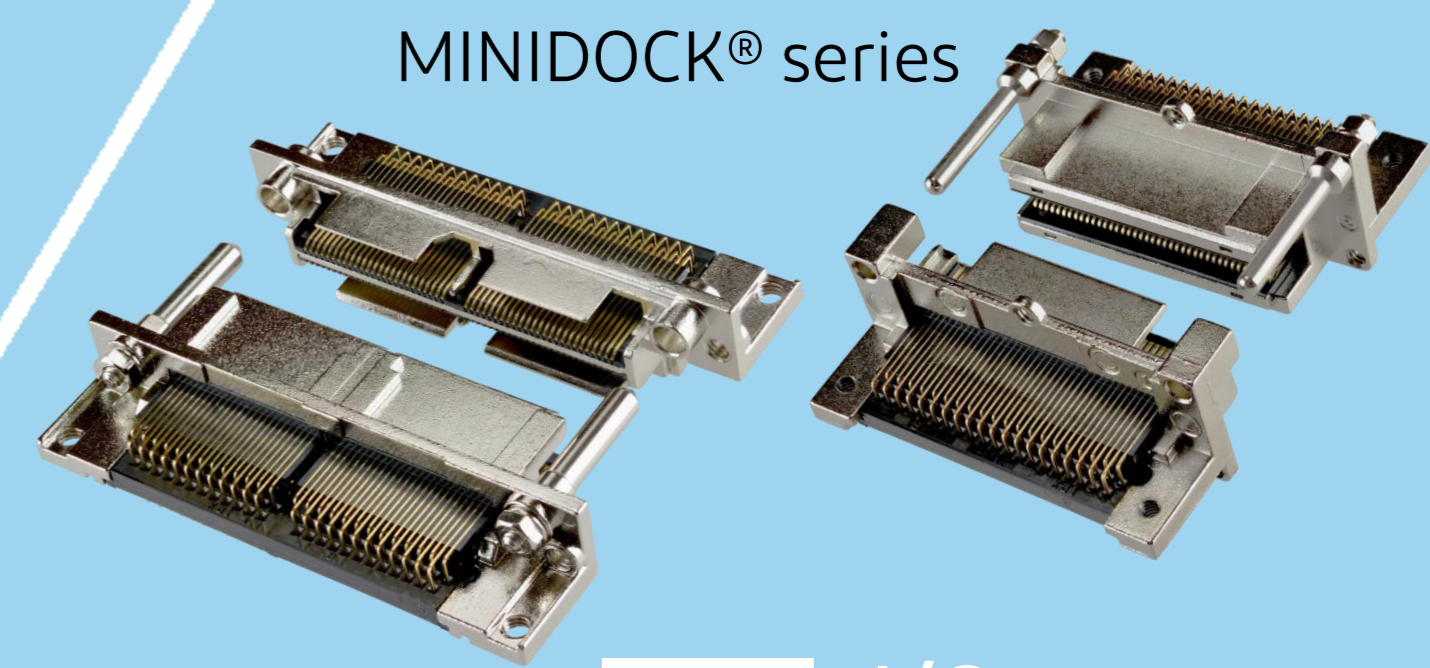
FPC FFC Connector



Inquiry



MINIDOCK® series



I/O Connector

I-PEX, MHF, CABLINE, LIGHTPASS, NOVASTACK, ISH, IARPB, MINIFLEX, EVAFLEX, MINIDOCKS and ZenShield are registered trademarks of I-PEX Inc. Please note that the contents in the catalog might be changed without prior notification. I-PEX Inc. assumes no responsibility for any inaccuracies or obligation to update information on these documents. Please be sure to read and understand the latest "Precautions for Use" and "Instruction Manual" before you use our products. We shall not be responsible for any defects, damages or troubles in case you use our products without following the precautions for use. Please feel free to contact our sales representatives when you use our products for any applications that require very high reliability and safety, or that relate to human life (ex. nuclear power control, aerospace, transportation, medical equipment, safety equipment etc.).

Contact your sales representative or more detailed information.

www.i-pex.com



I-PEX

© I-PEX Inc. 2024
All rights reserved