

# LIGHTPASS®-EOB 100G

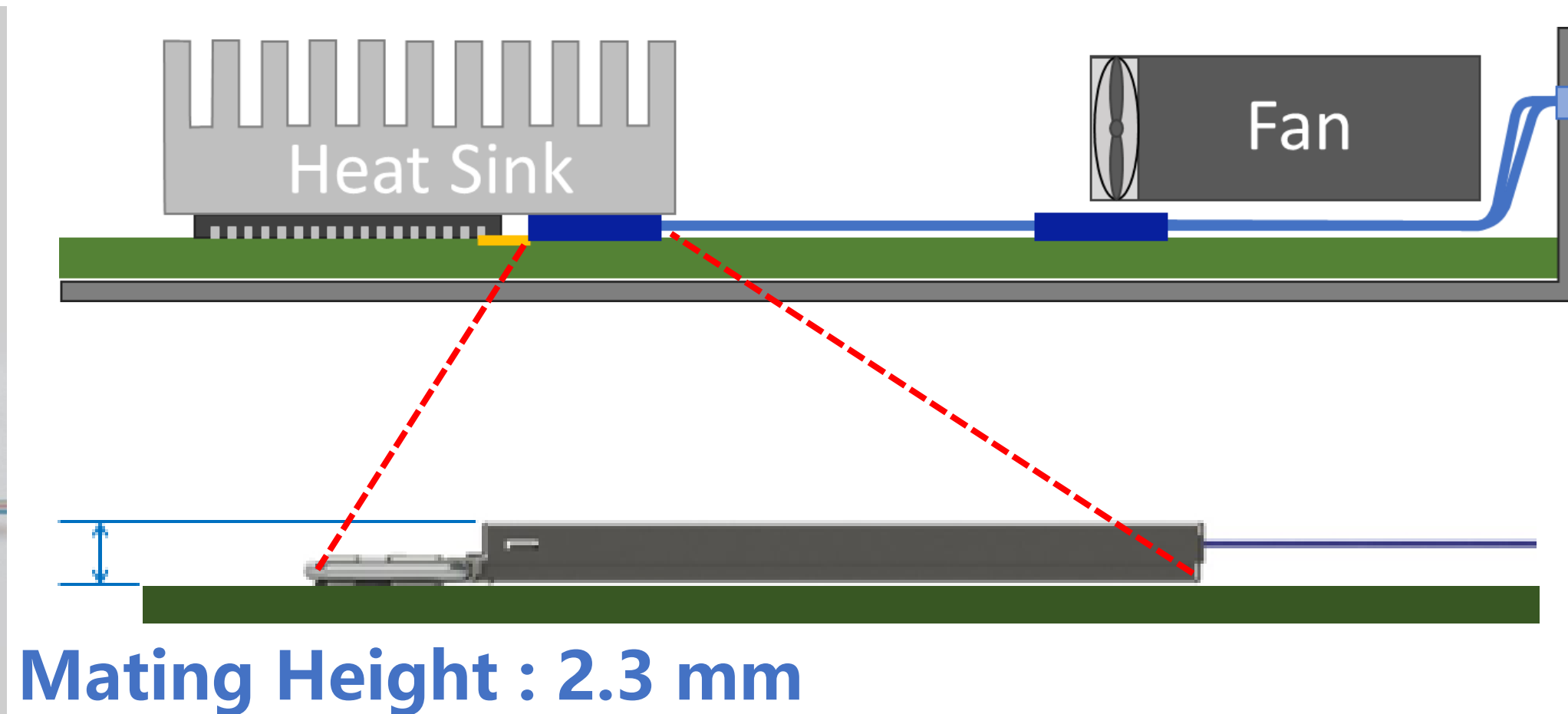
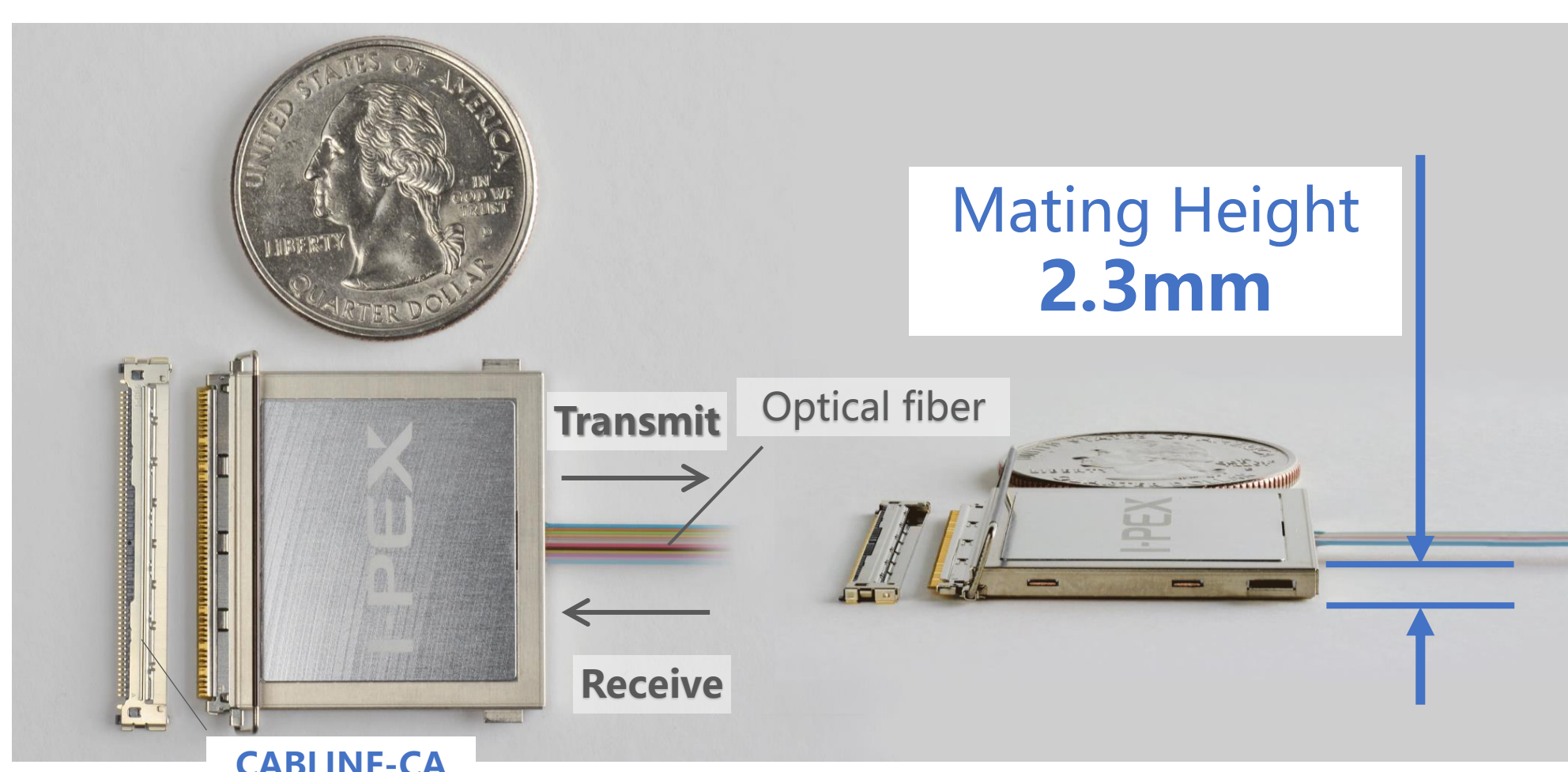
支持高速數據傳輸100 Gbps ( 25Gbps x 4 通道 ) , 雙向式, 超薄型, 內部搭載微處理器, 低功耗, 光電轉換模組

## Product Specifications:

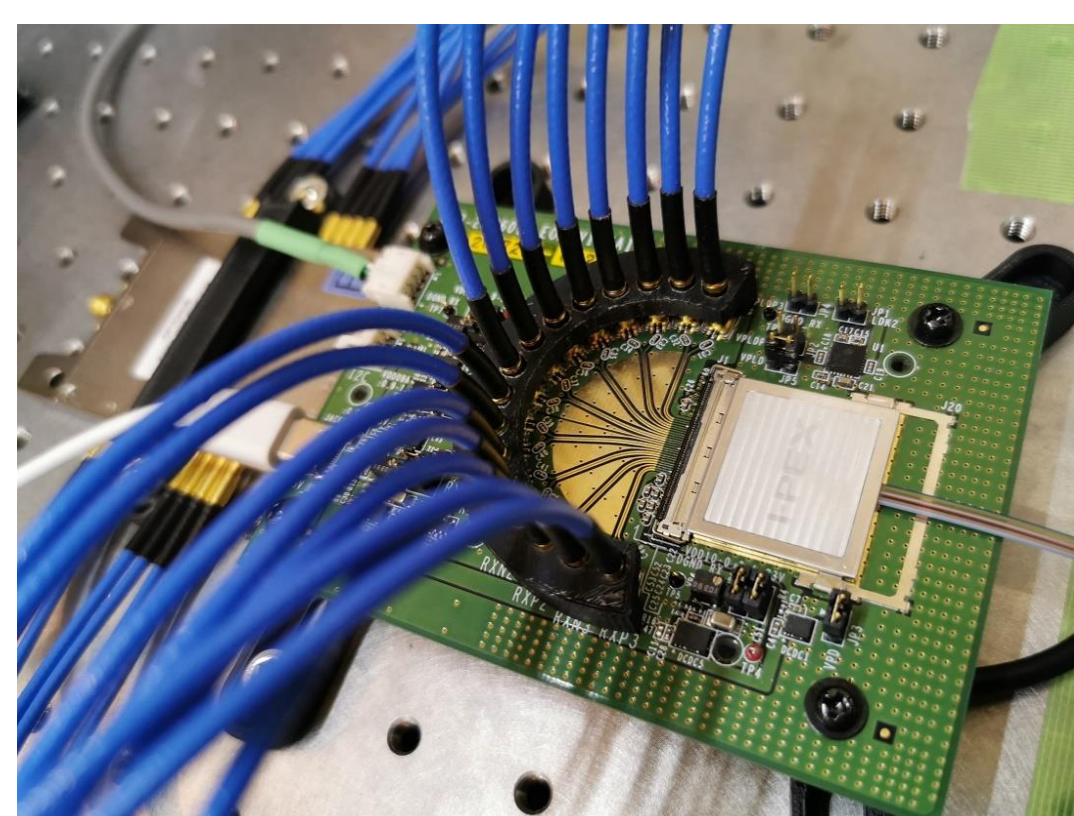
High Channel Capacity	100 Gbps (25 Gbps x 4)
Size	29.01 x 29.75 x 2.30
Case Temperature Operating Range	-40 ~ 85 degree
Electrical Interface	I-PEX CABLINE®-CA 60P
Optical Interface	12 core MT Connector via 12 core Multi Mode Fiber
Power Supply	0.9, 1.0 and 3.3V
Low Power Consumption per Gbps	Consumption per Gbps: < 35 mW/Gbps for TX-RX pair



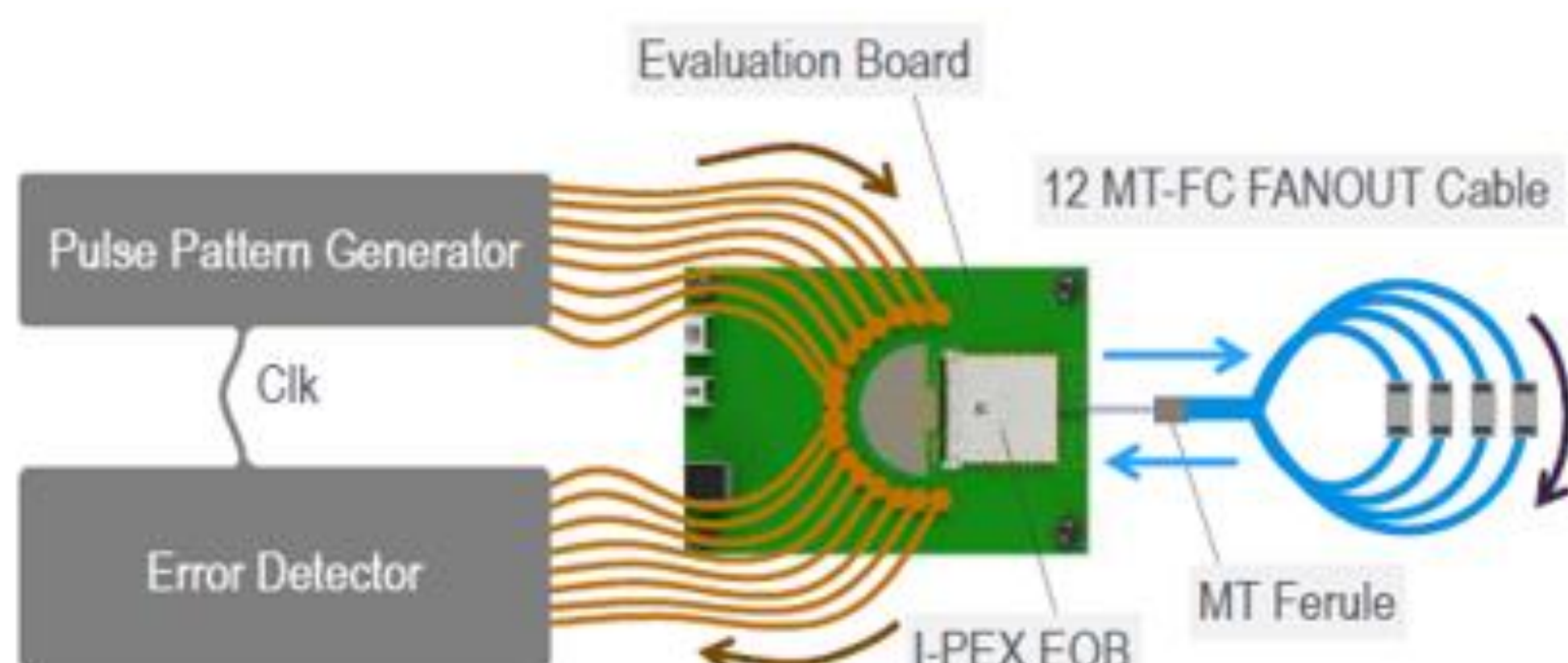
## ▶ 超薄組立高度: 2.3 mm



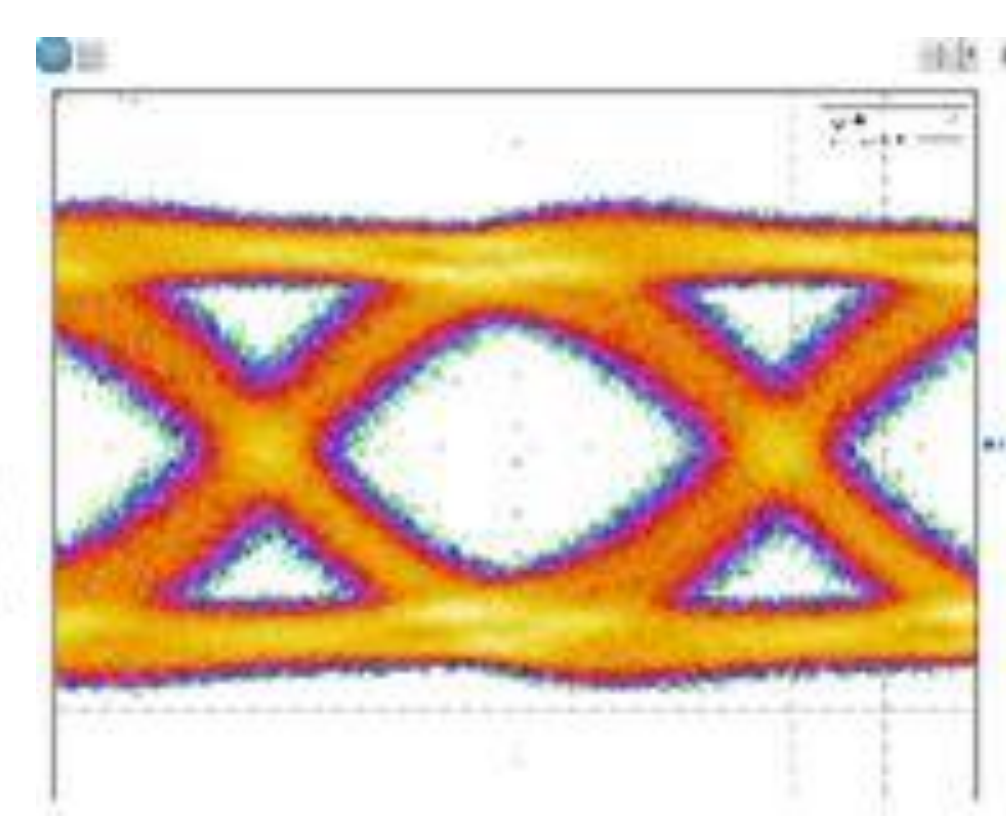
## ▶ 高速傳輸: 100 Gbps ( 25 Gbps x 4 Channel )



測試用基板

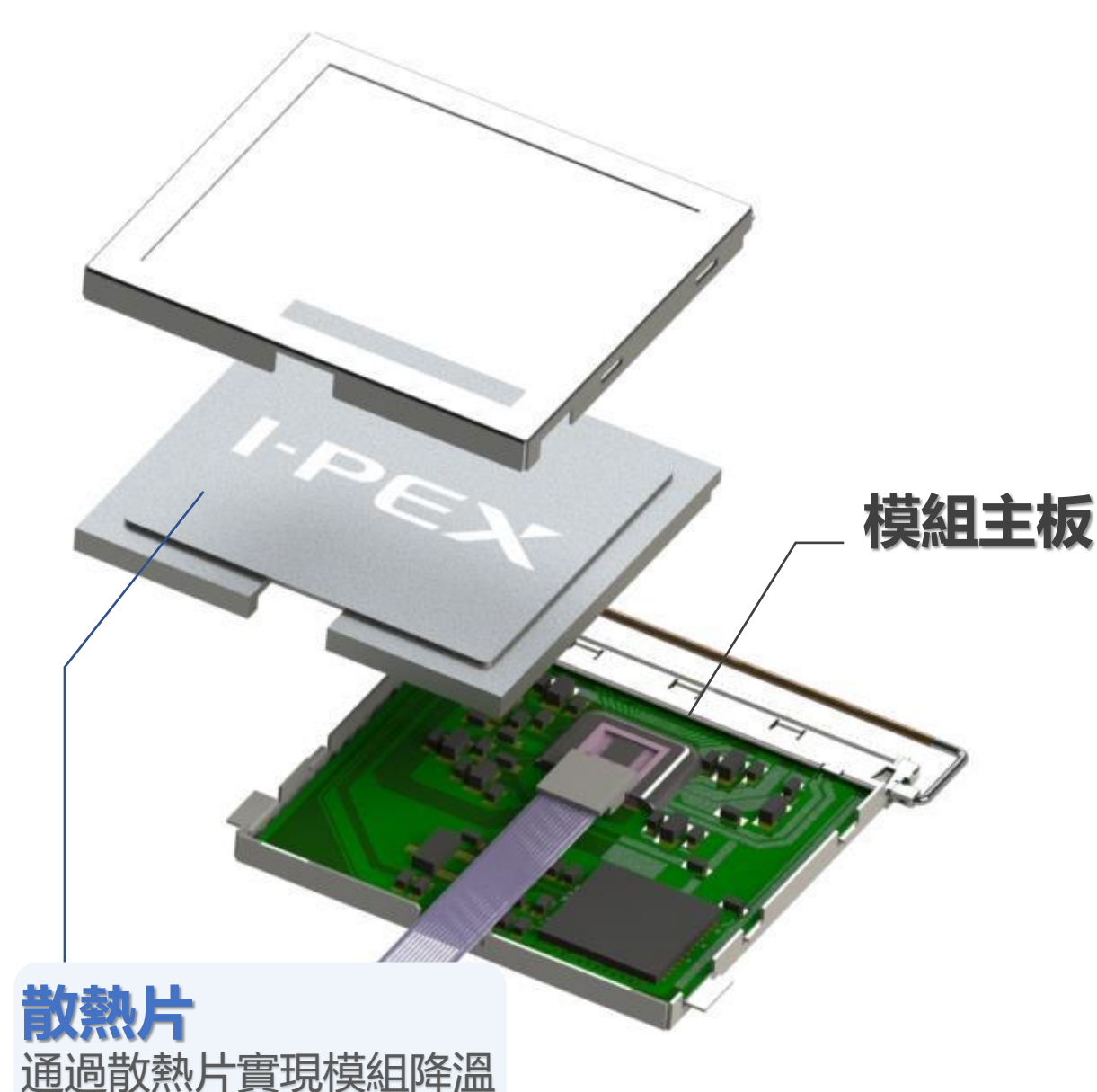


測試治具

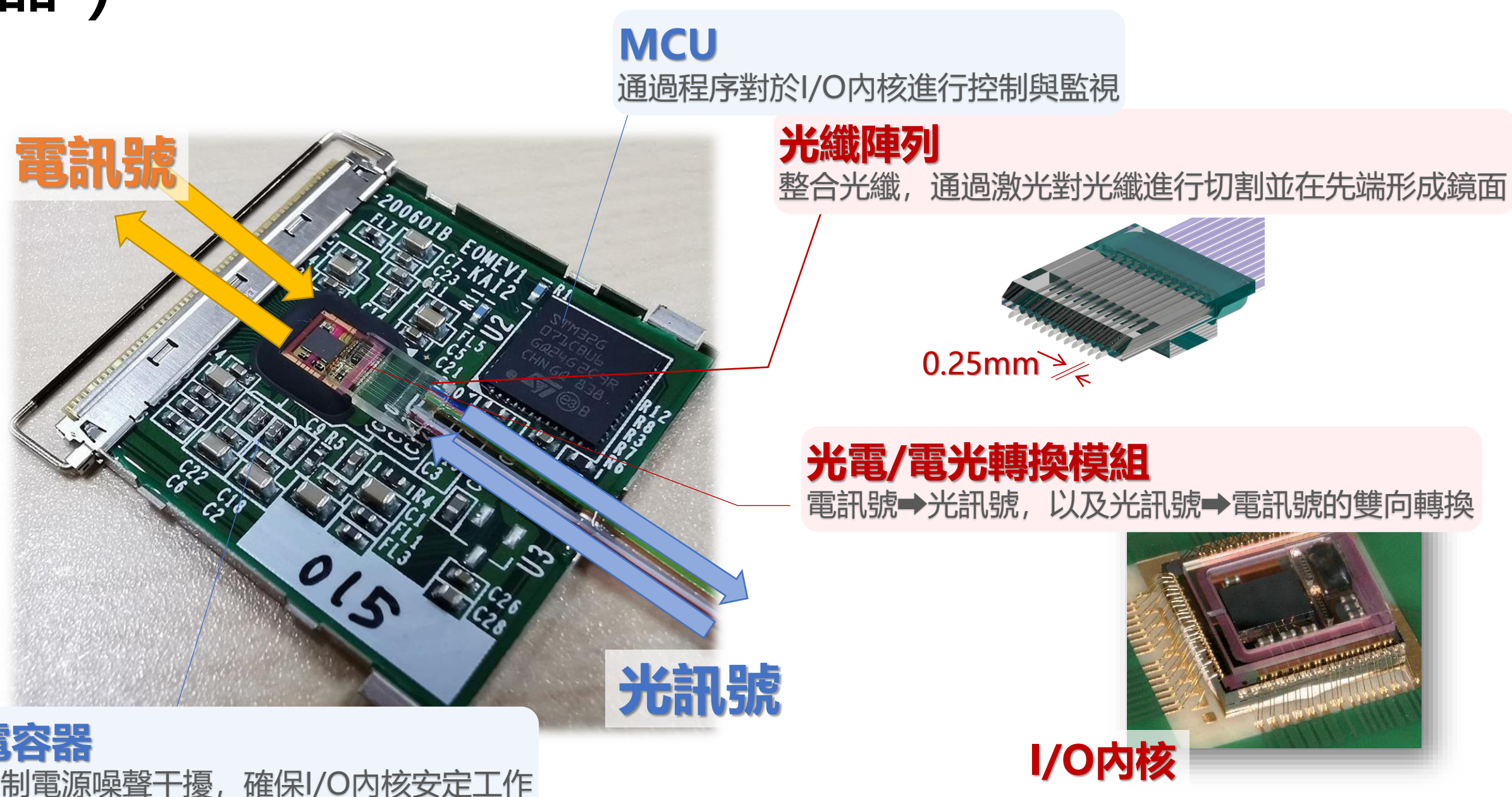


眼圖

## ▶ 有源光模組 ( 內部搭載微處理器 )



散熱片  
通過散熱片實現模組降溫

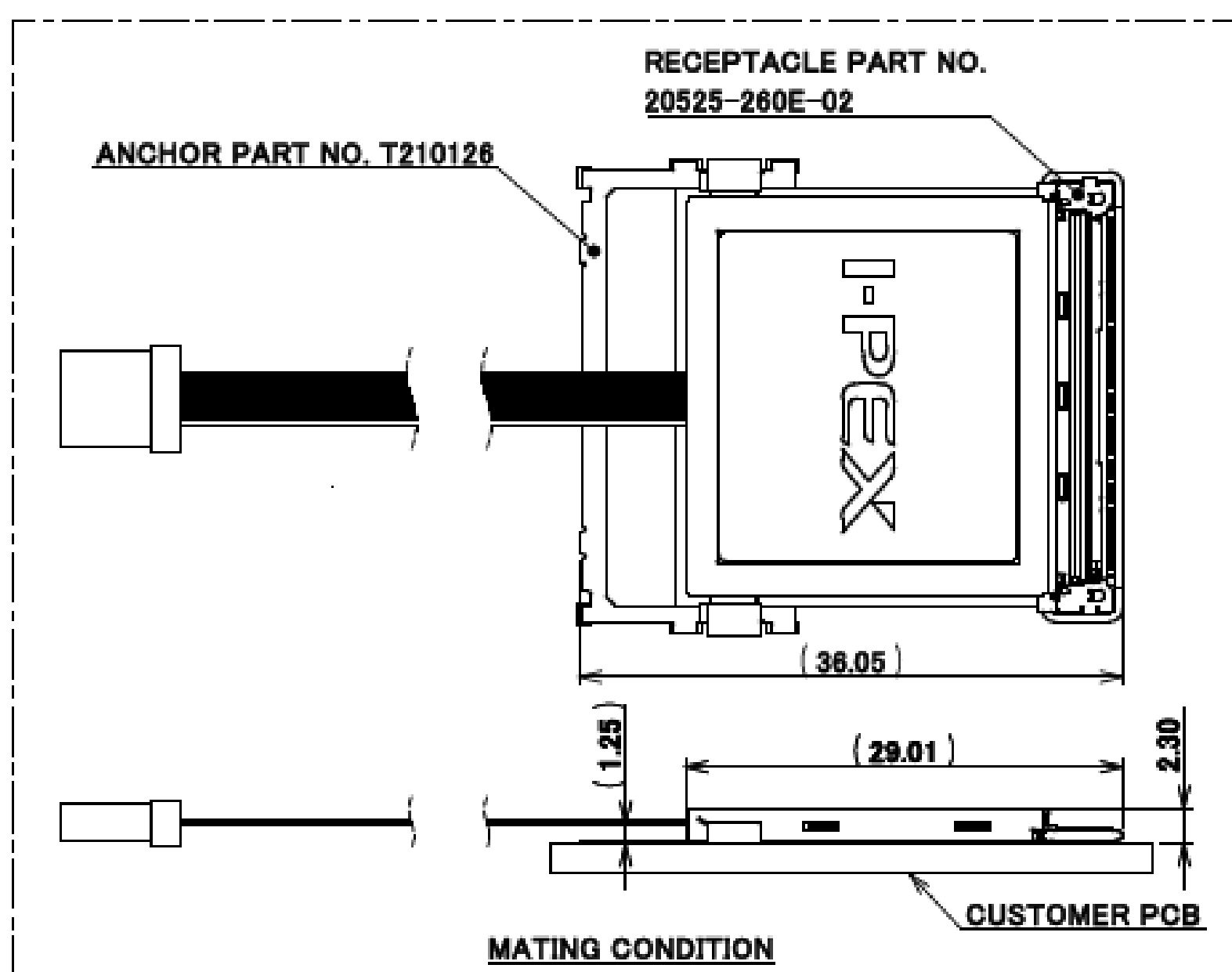
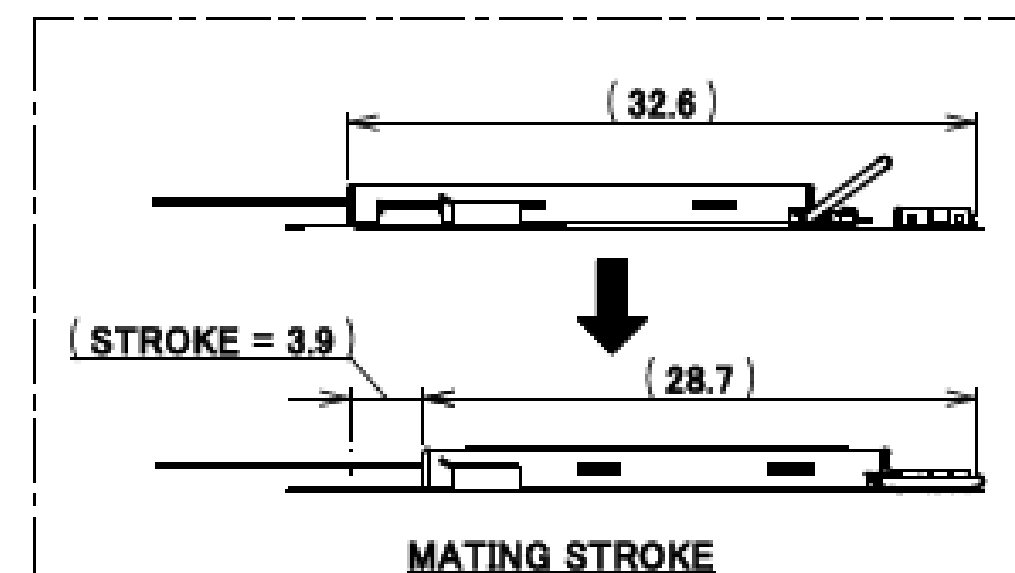
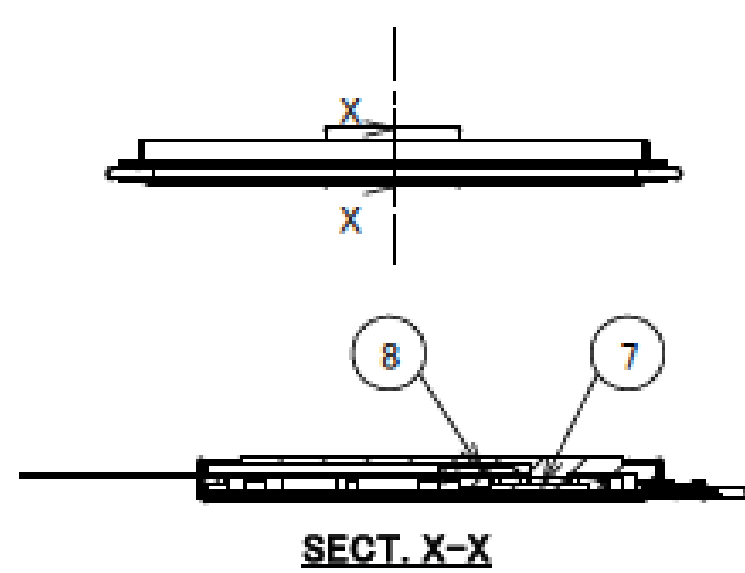
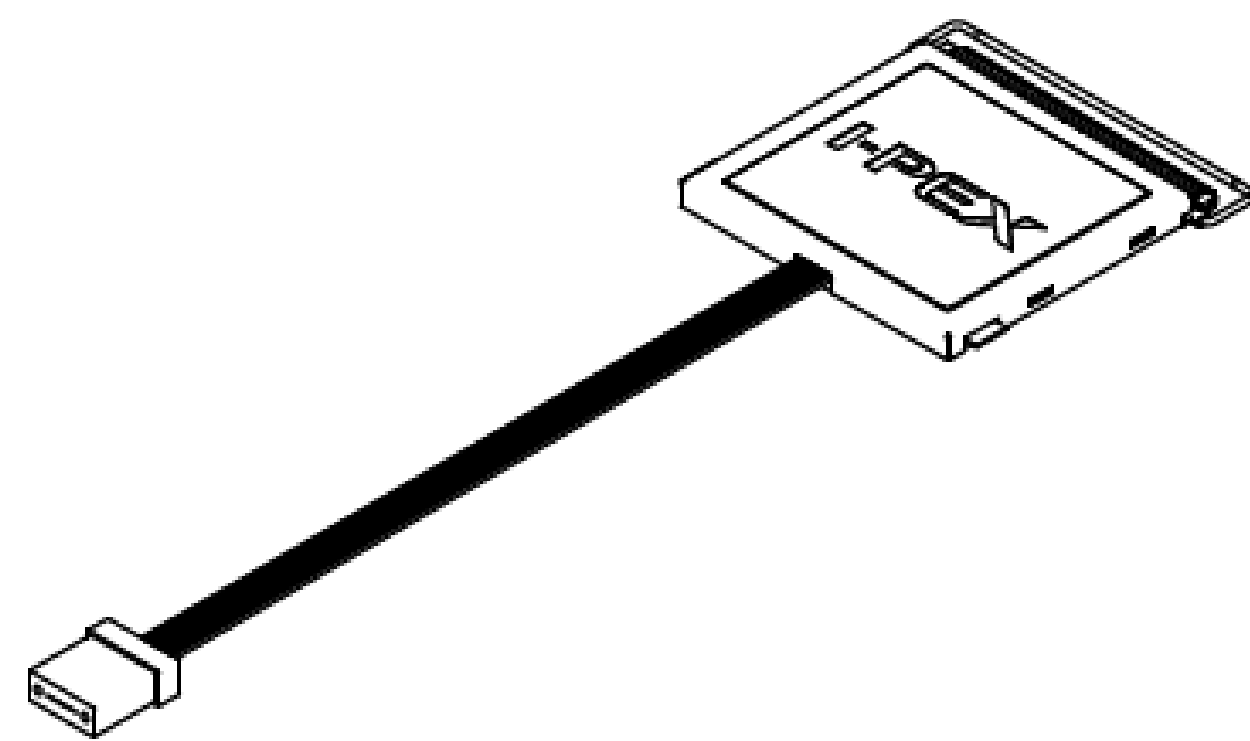
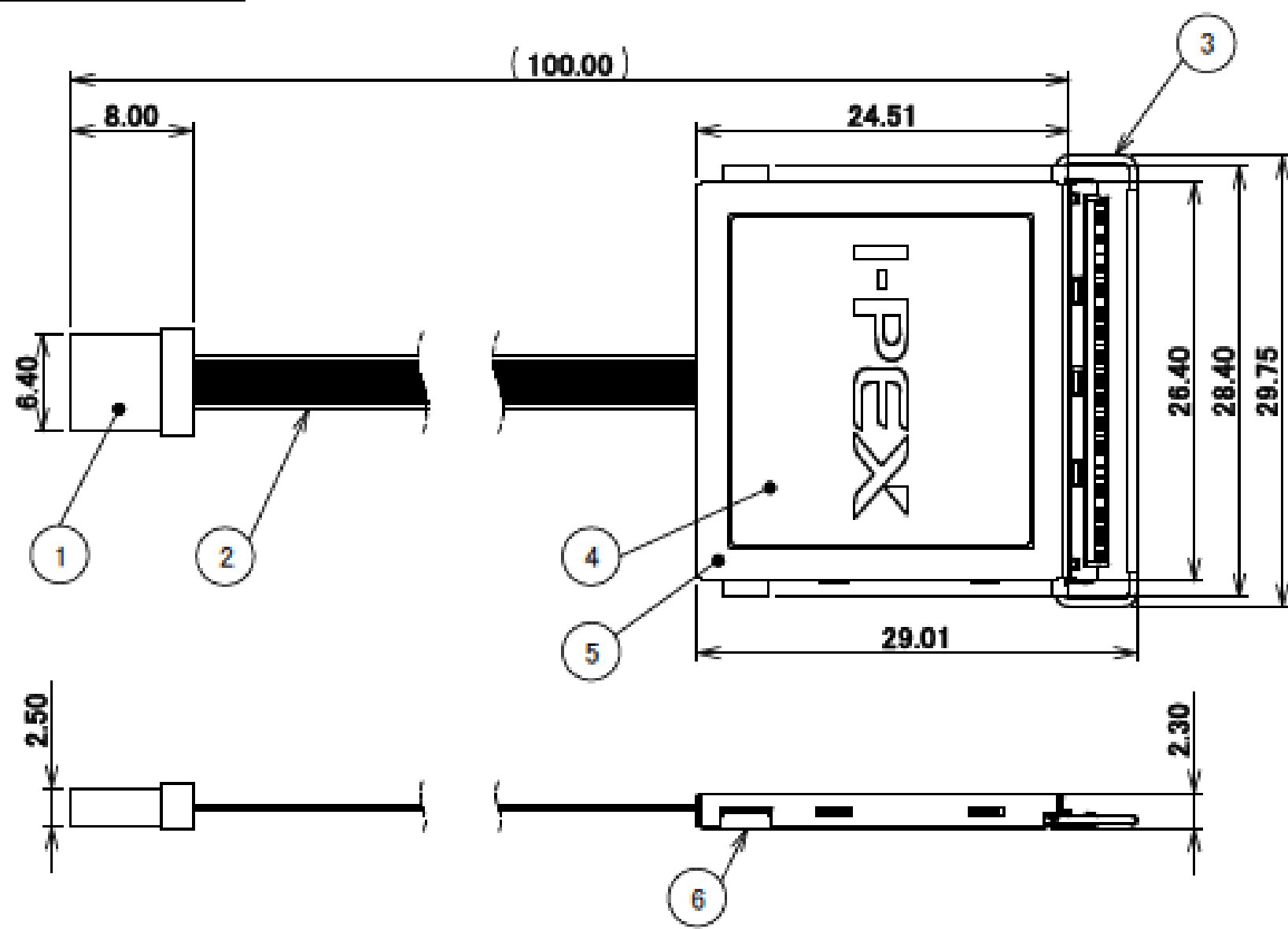
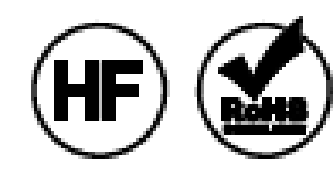




# Component Parts Detail

## EOB 100G Optical Module

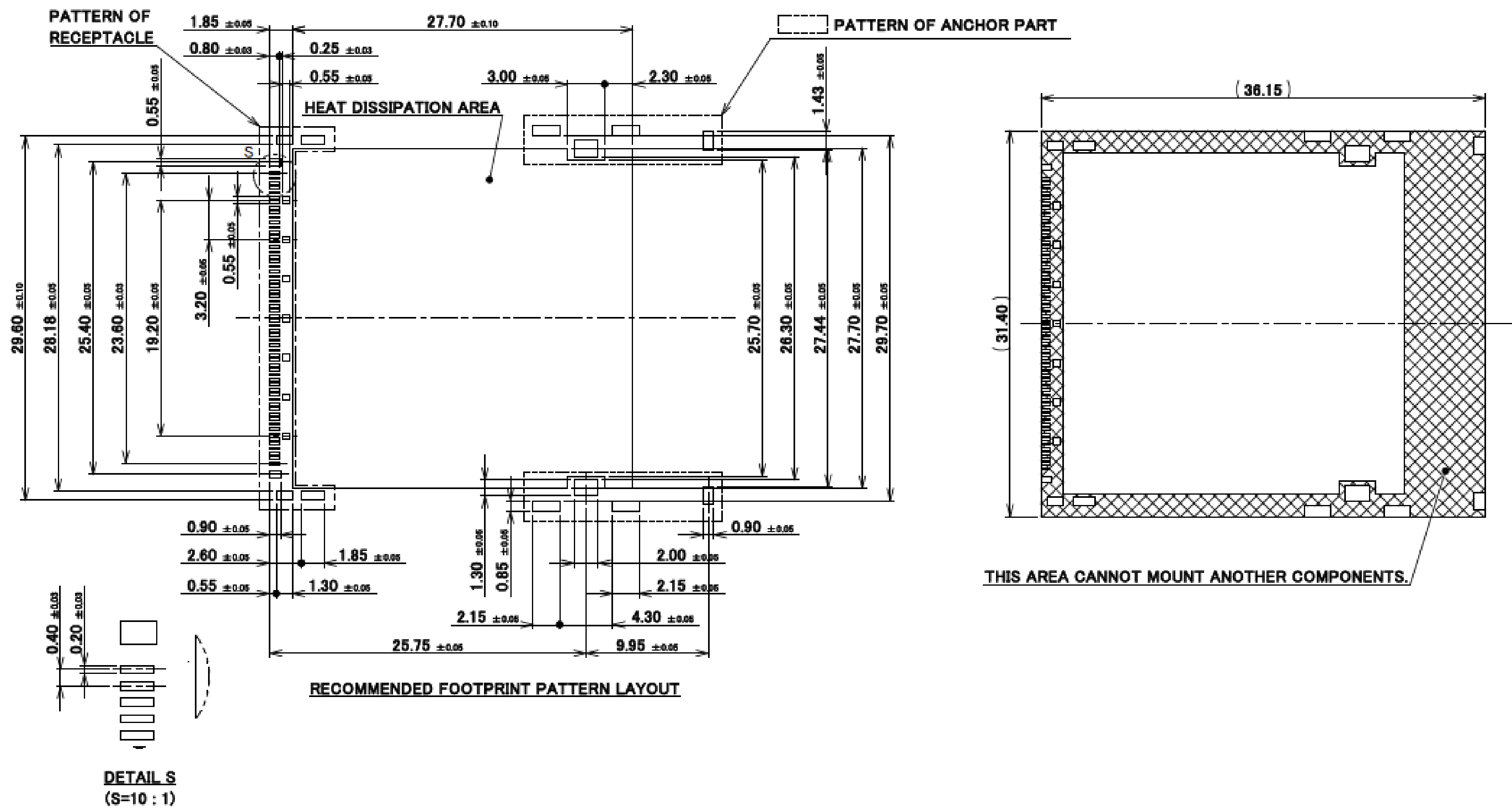
Recommended P/N 88002-000T-25-01  
 PART NO.  
 88002-000T-25-01



8	OPTICAL CONNECTOR	-	-
7	OPTICAL I/O CORE P/N PAA-XW8001-ESB	-	TIP NUMBERING
6	SHELL-B	COPPER ALLOY	NICKEL PLATING
5	SHELL-A	COPPER ALLOY	NICKEL PLATING
4	HEAT SPREADER	ALUMINUM	ANODIZING
3	CABLIN®-CAF SHELL ASS'Y P/N 20858-060T-01	-	-
2	12-CORE TAPE FIBER	-	-
1	12-MT FERRULE	-	-
NO.	DESCRIPTION	MATERIAL	FINISH, REMARKS

ANGLE  $\pm 2^\circ$  6 OVER 30 MAX  $\pm 0.3$  PROJECTION SERIES NO. CUSTOMER COPY

# EOB 100G Optical Module



Rev.0



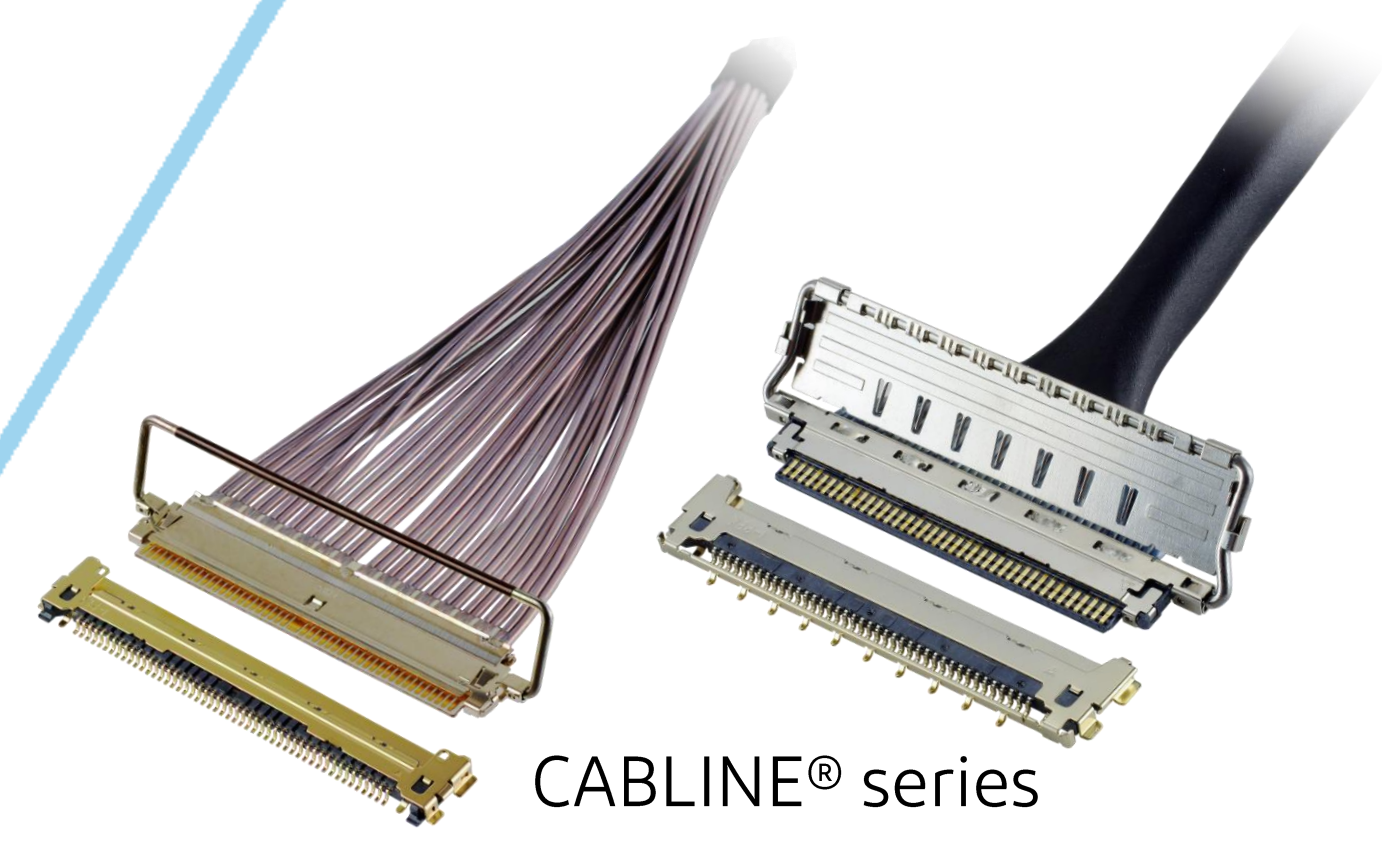
# Custom Connectors Available

## RF Connector

MHF® series



## Micro-coaxial/Twinax/Discrete Wire Connector



CABLINE® series

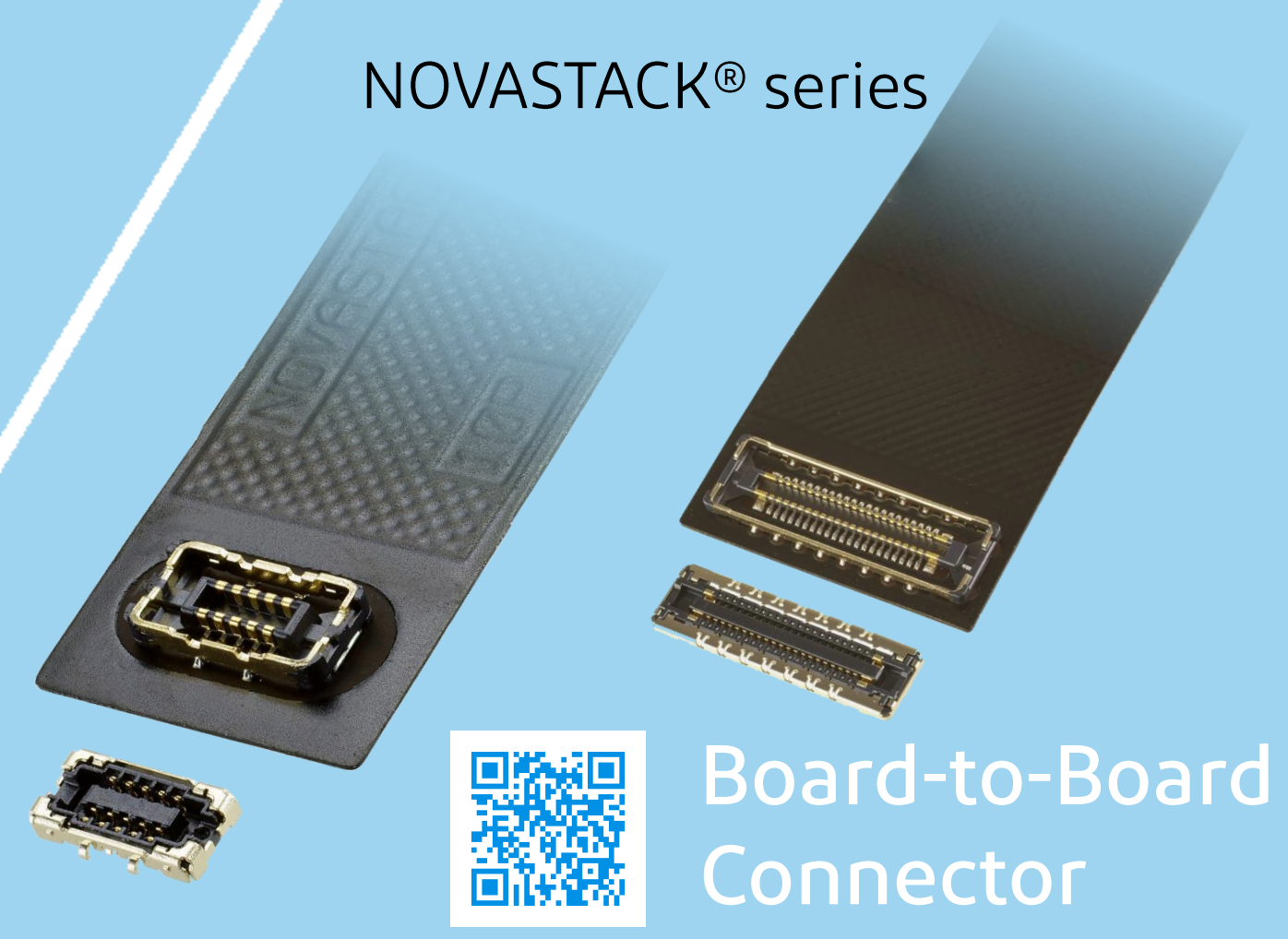


## Optical Module

LIGHTPASS® series



NOVASTACK® series



## Board-to-Board Connector



## Power Connector/Terminal

AP series

ISH® series



MINIFLEX® series

EVAFLEX® series



## FPC FFC Connector



## Inquiry



MINIDOCK® series



## I/O Connector

I-PEX, MHF, CABLINE, LIGHTPASS, NOVASTACK, ISH, IARPB, MINIFLEX, EVAFLEX, MINIDOCKS and ZenShield are registered trademarks of I-PEX Inc. Please note that the contents in the catalog might be changed without prior notification. I-PEX Inc. assumes no responsibility for any inaccuracies or obligation to update information on these documents. Please be sure to read and understand the latest "Precautions for Use" and "Instruction Manual" before you use our products. We shall not be responsible for any defects, damages or troubles in case you use our products without following the precautions for use. Please feel free to contact our sales representatives when you use our products for any applications that require very high reliability and safety, or that relate to human life (ex. nuclear power control, aerospace, transportation, medical equipment, safety equipment etc.).

Contact your sales representative or more detailed information.

[www.i-pex.com](http://www.i-pex.com)



# I-PEX

© I-PEX Inc. 2024  
All rights reserved