

LIGHTPASS®-EOB 100G

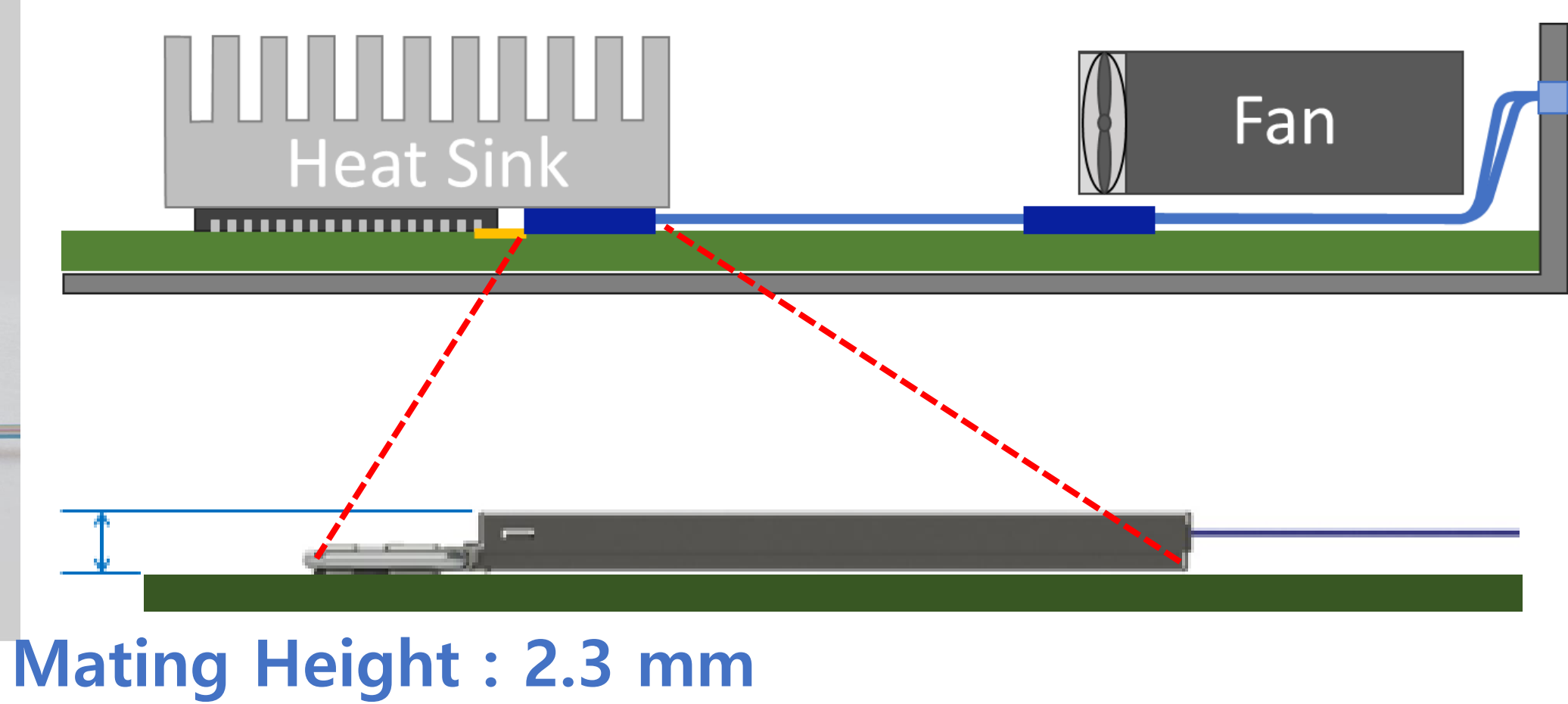
100 G (25 Gbps x 4 ch) 쌍방향,
저배형, 마이크로 프로세서 내장, 저소비 전력, 광 변환 모듈

Product Specifications:

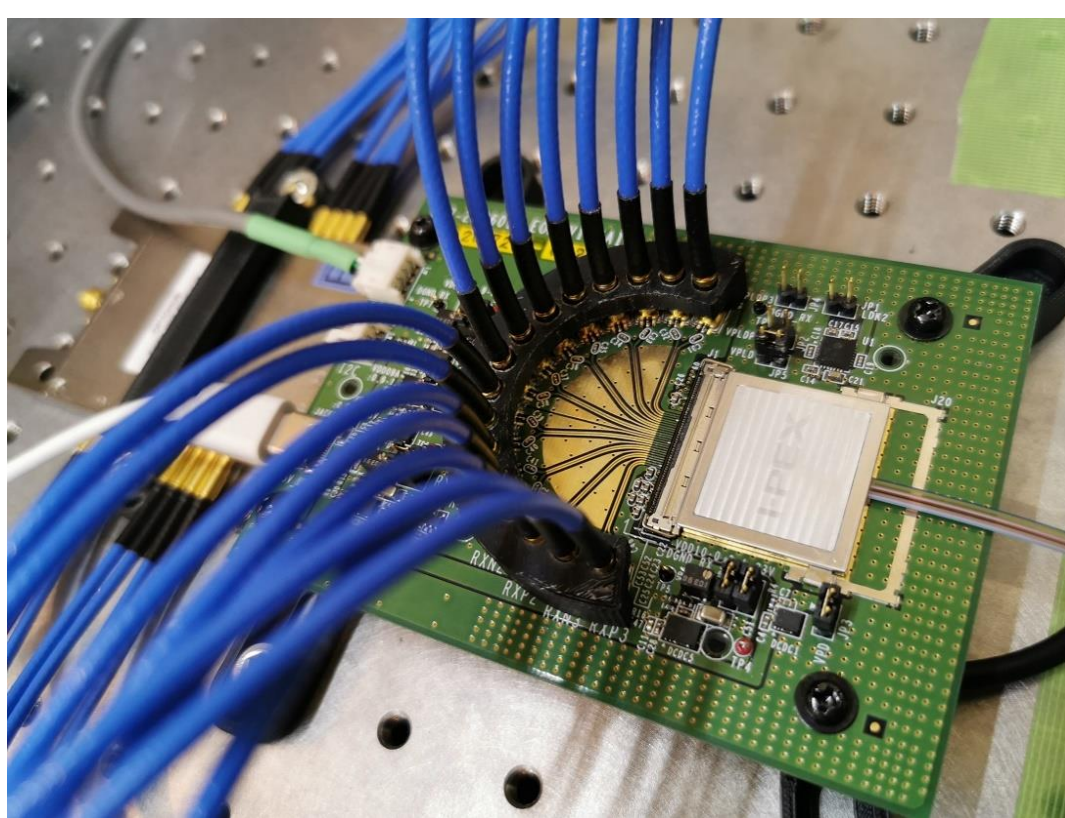
High Channel Capacity	100 Gbps (25 Gbps x 4)
Size	29.01 x 29.75 x 2.30
Case Temperature Operating Range	-40 ~ 85 degree
Electrical Interface	I-PEX CABLINE®-CA 60P
Optical Interface	12 core MT Connector via 12 core Multi Mode Fiber
Power Supply	0.9,1.0 and 3.3V
Low Power Consumption per Gbps	Consumption per Gbps: < 35 mW/Gbps for TX-RX pair



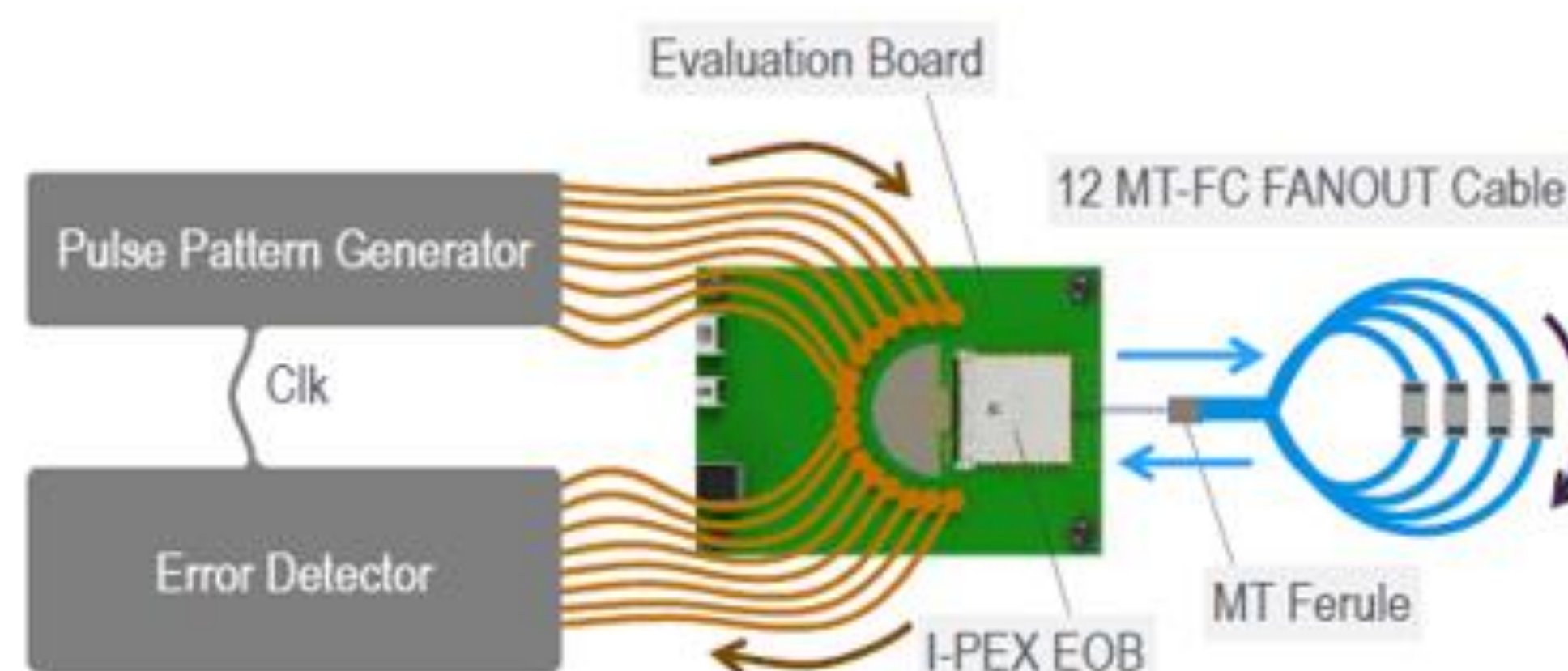
▶ 초박형 : 2.3 mm



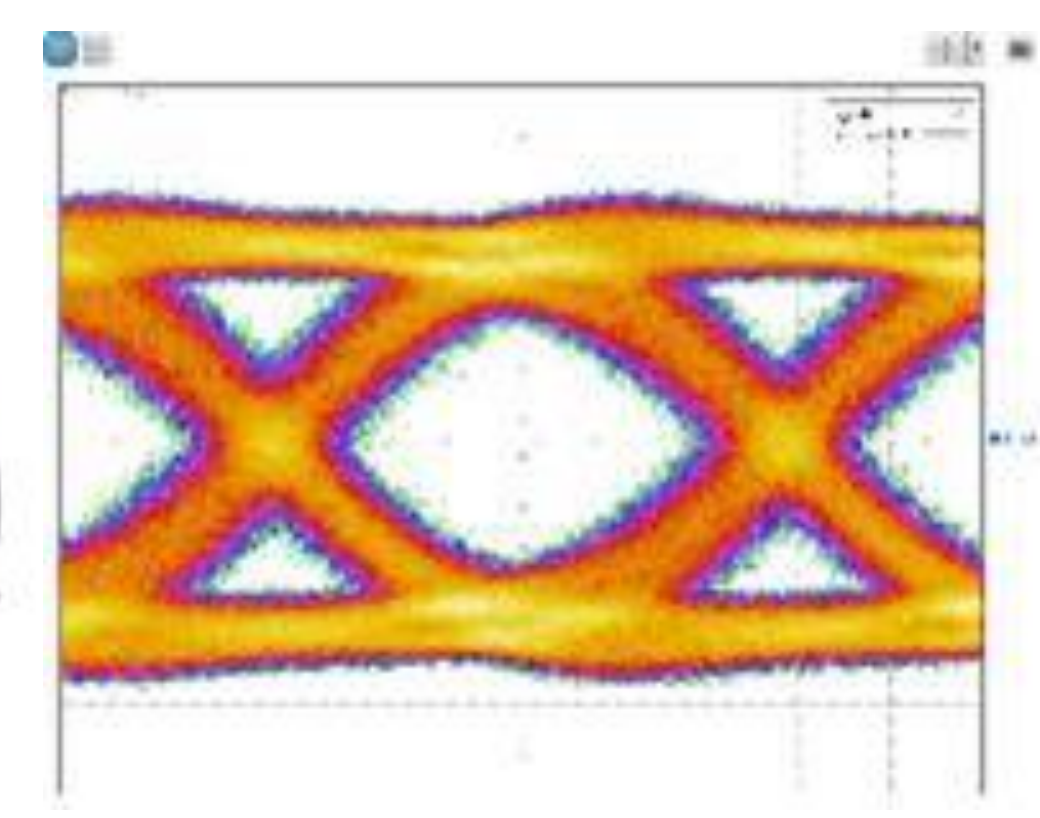
▶ 고속전송 : 100 Gbps (25 Gbps x 4 Channel)



Evaluation Board

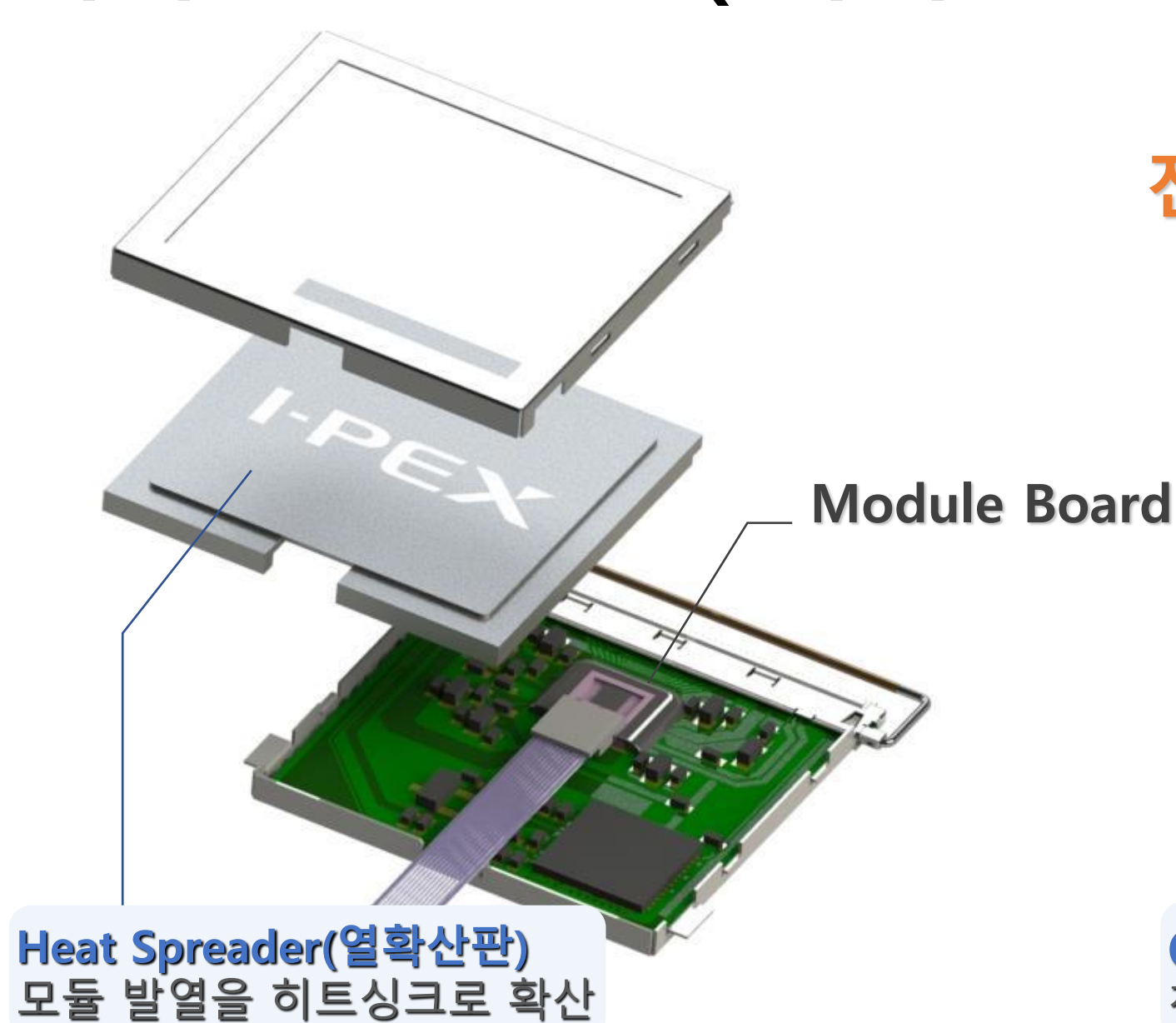


Test Fixture

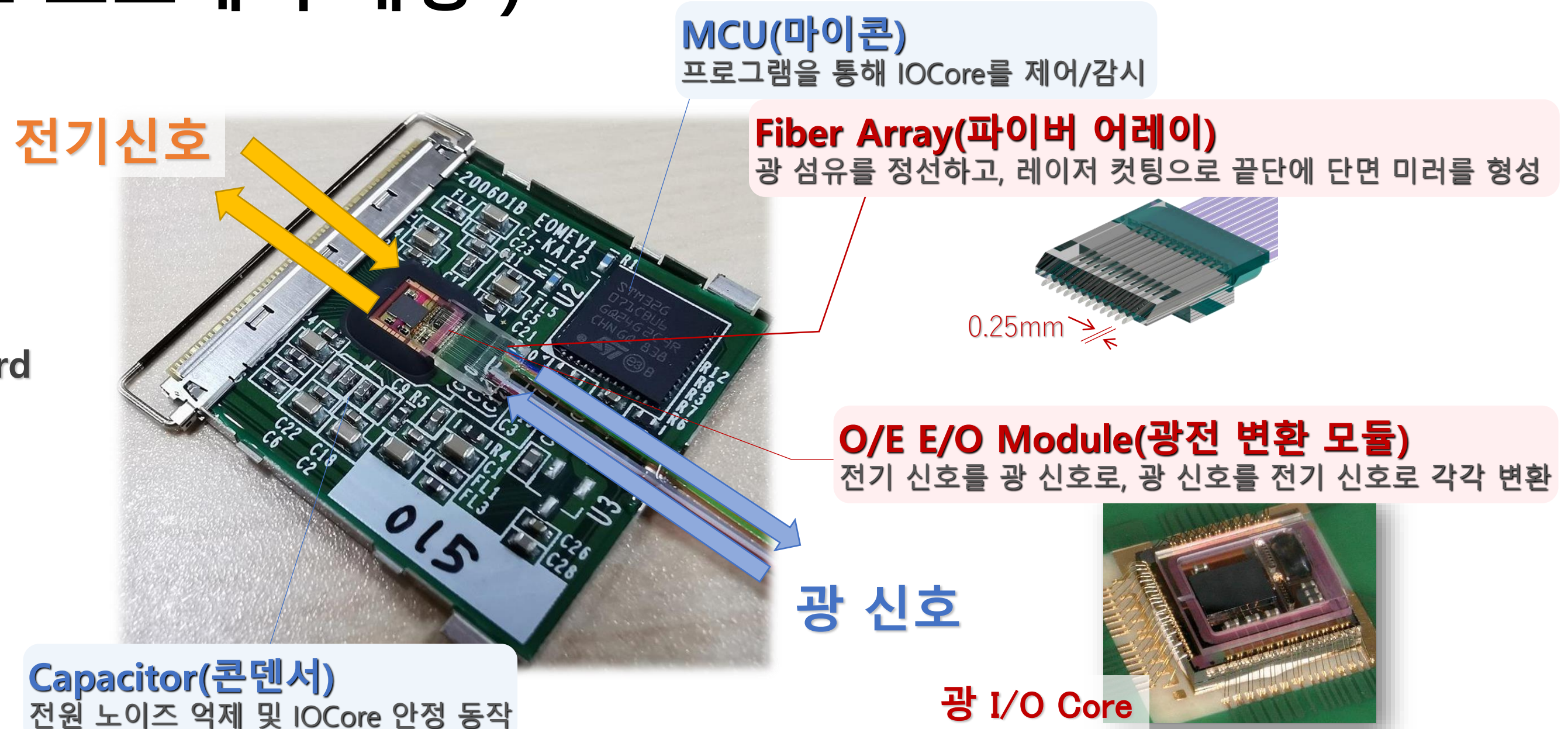


Eye pattern

▶ 액티브 광 모듈 (마이크로 프로세서 내장)



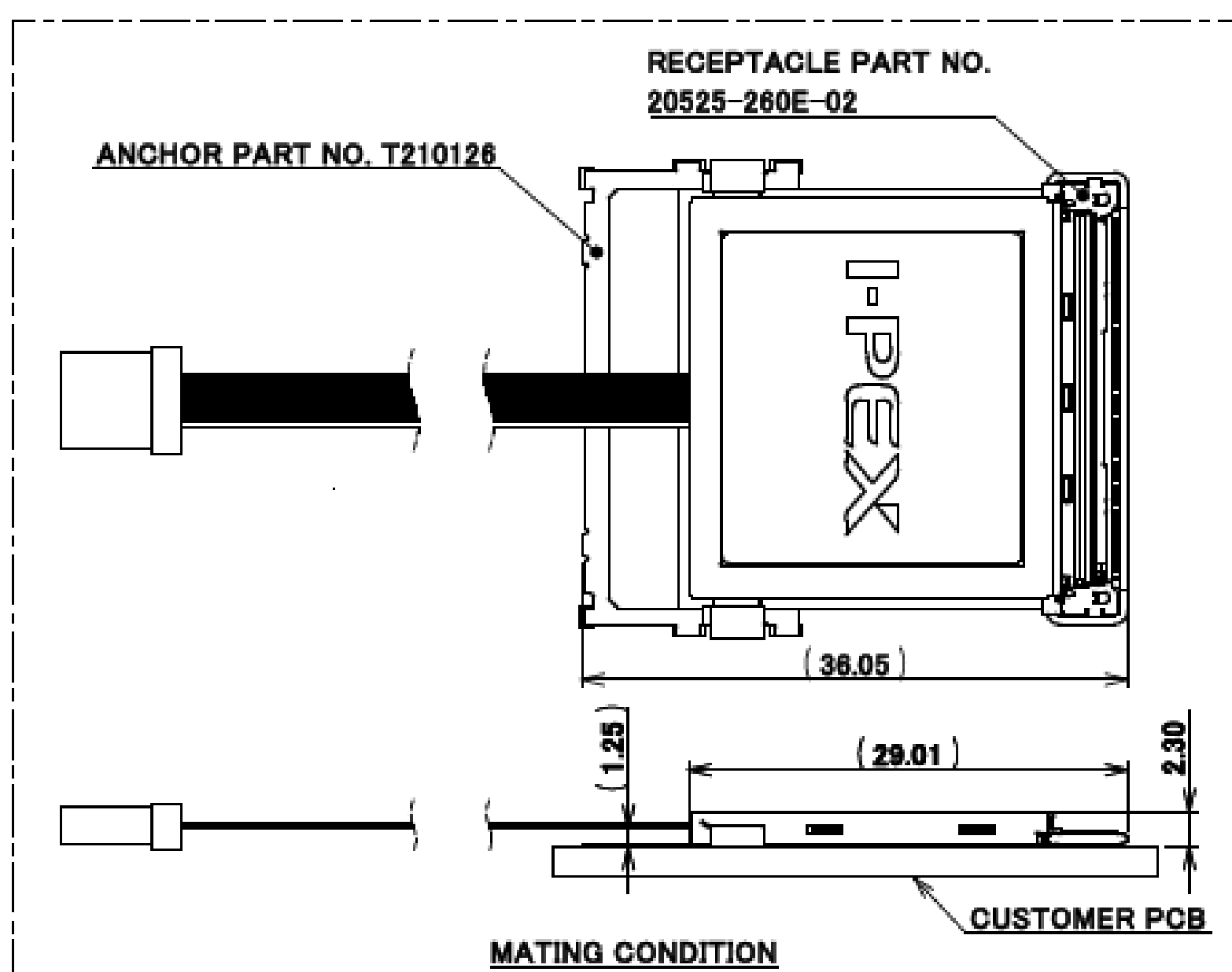
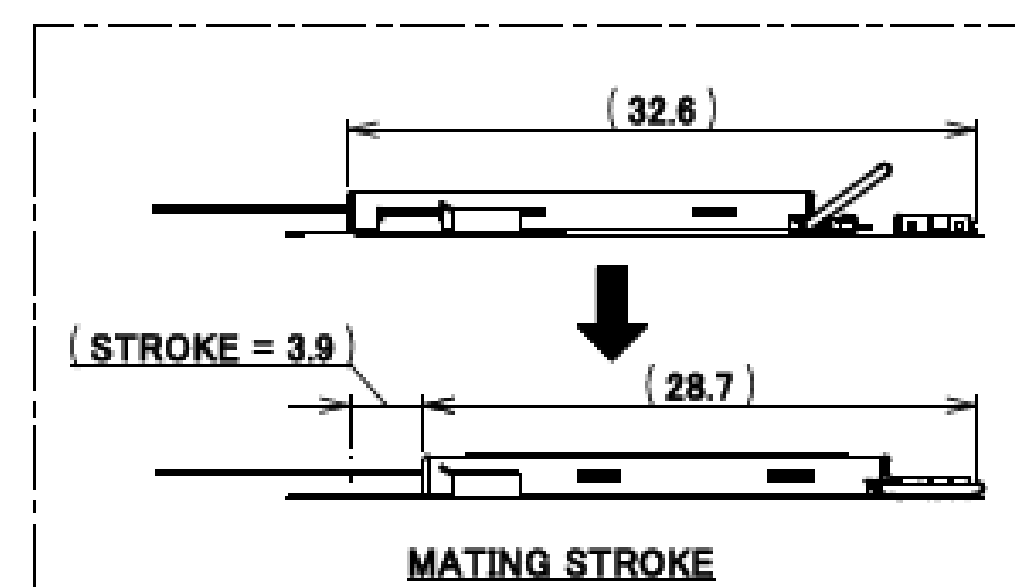
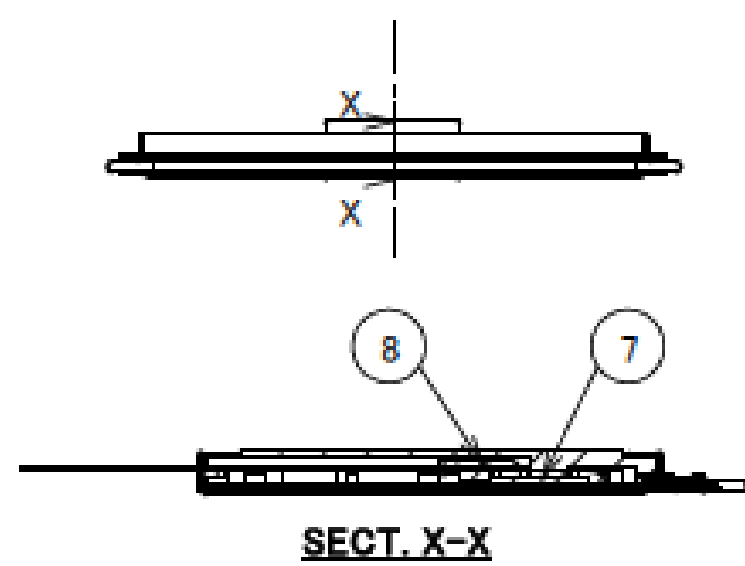
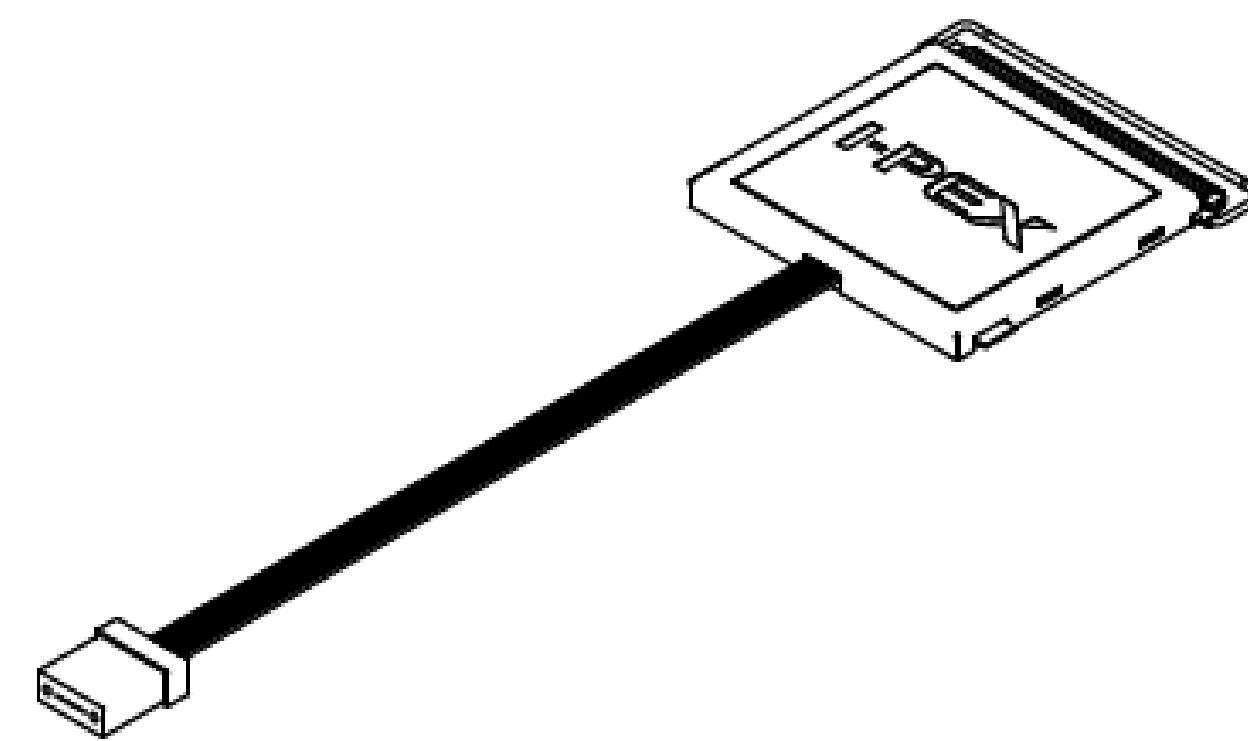
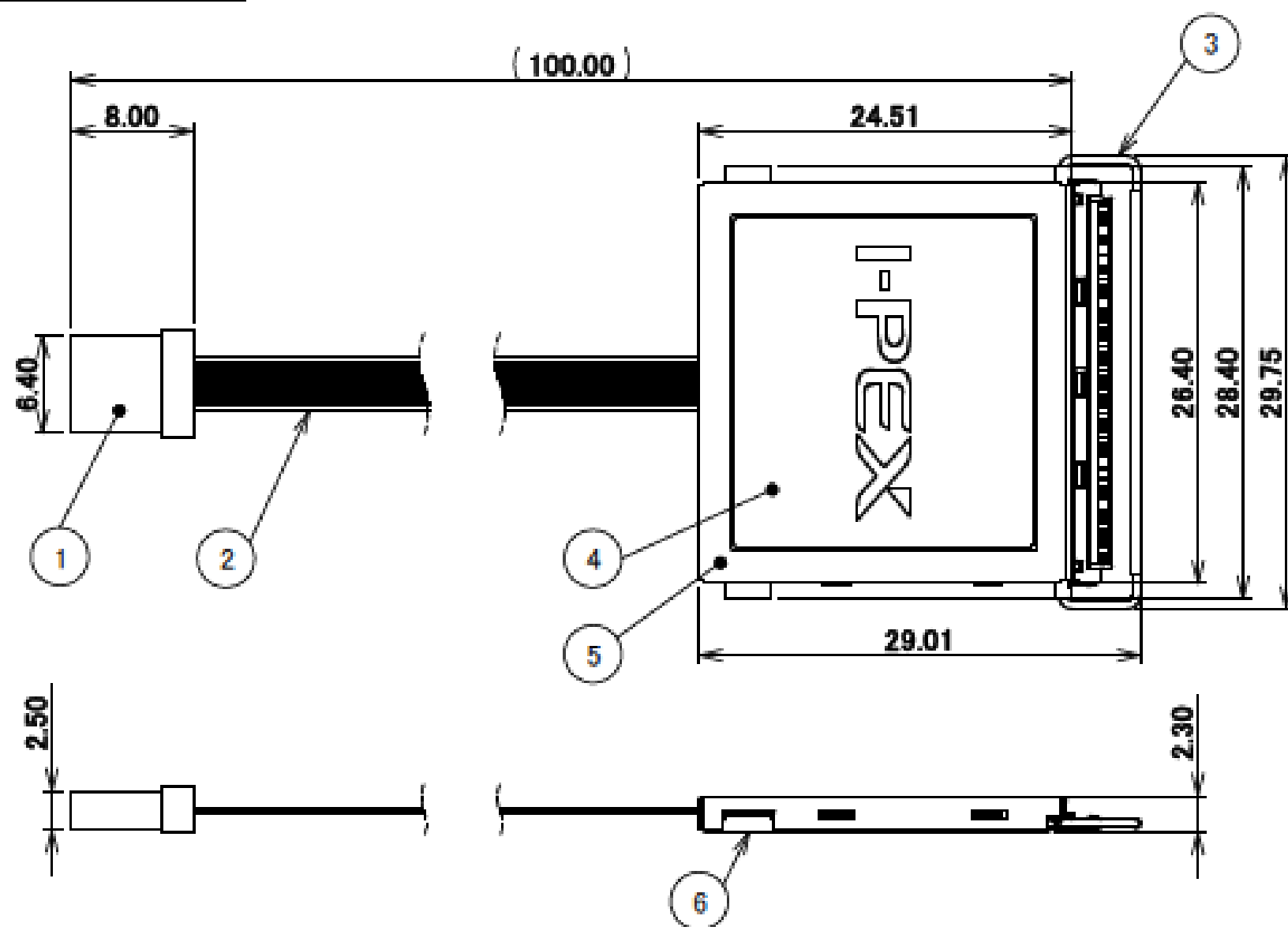
Heat Spreader(열확산판)
모듈 발열을 히트싱크로 확산



Component Parts Detail

EOB 100G Optical Module

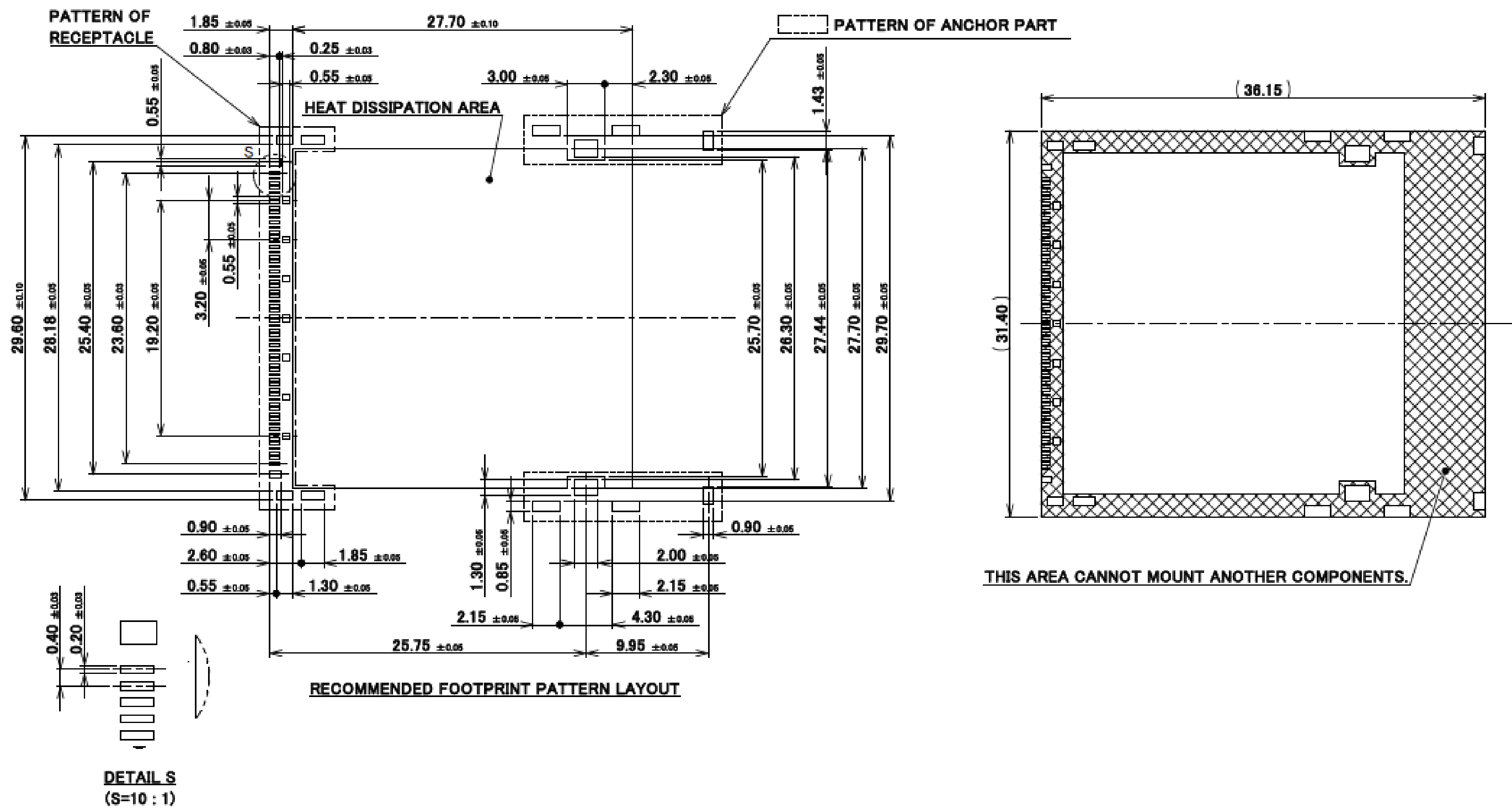
Recommended P/N 88002-000T-25-01
 PART NO.
 88002-000T-25-01



NO.	DESCRIPTION	MATERIAL	FINISH, REMARKS
8	OPTICAL CONNECTOR	-	-
7	OPTICAL I/O CORE P/N PAA-XW8001-ESB	-	TIP NUMBERING
6	SHELL-B	COPPER ALLOY	NICKEL PLATING
5	SHELL-A	COPPER ALLOY	NICKEL PLATING
4	HEAT SPREADER	ALUMINUM	ANODIZING
3	CABLIN®-CAF SHELL ASSY P/N 20858-060T-01	-	-
2	12-CORE TAPE FIBER	-	-
1	12-MT FERRULE	-	-

ANGLE $\pm 2^\circ$ 6 OVER 30 MAX ± 0.3 PROJECTION SERIES NO. CUSTOMER COPY

EOB 100G Optical Module



Rev.0

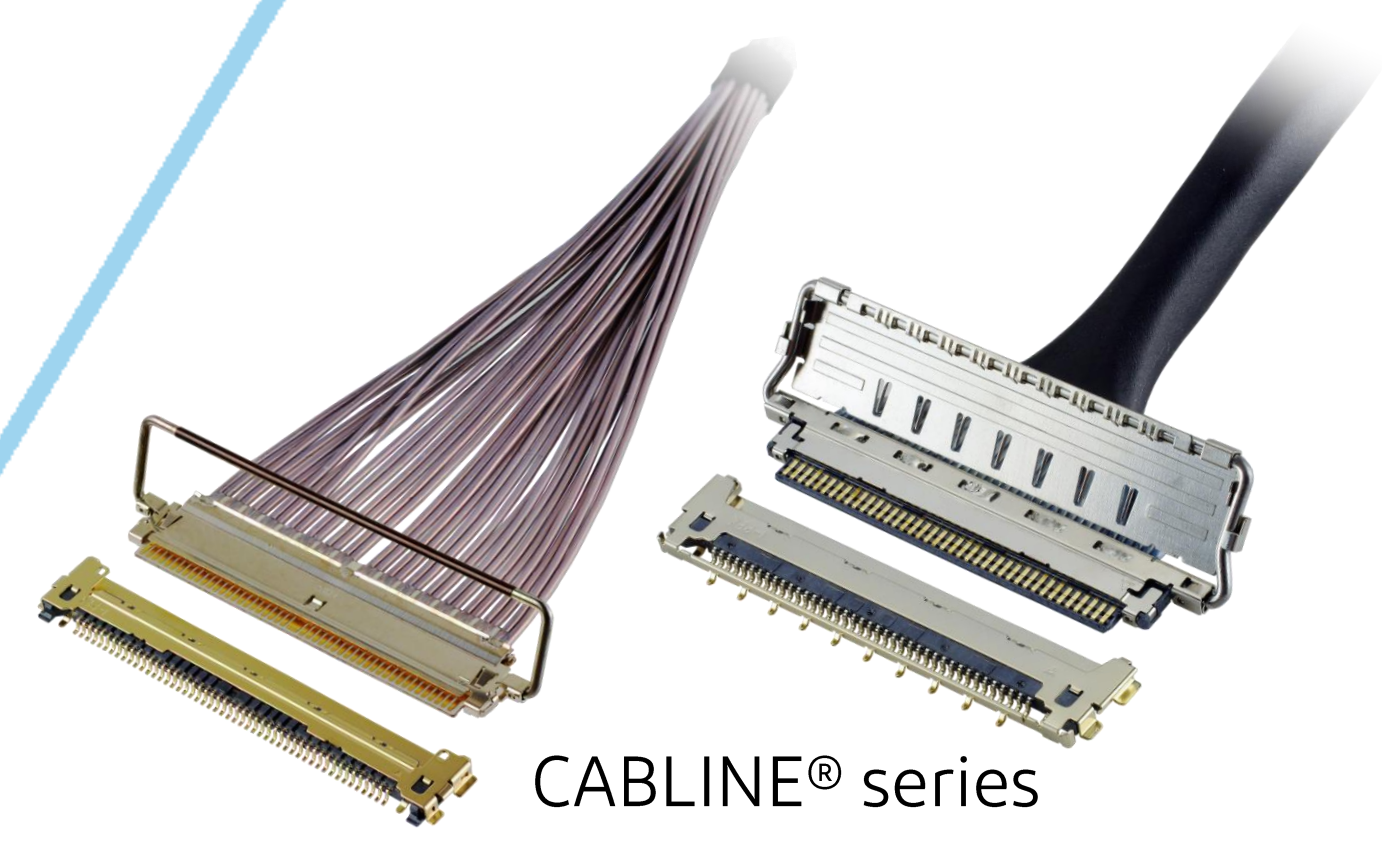
Custom Connectors Available

RF Connector

MHF® series



Micro-coaxial/Twinax/Discrete Wire Connector



CABLINE® series

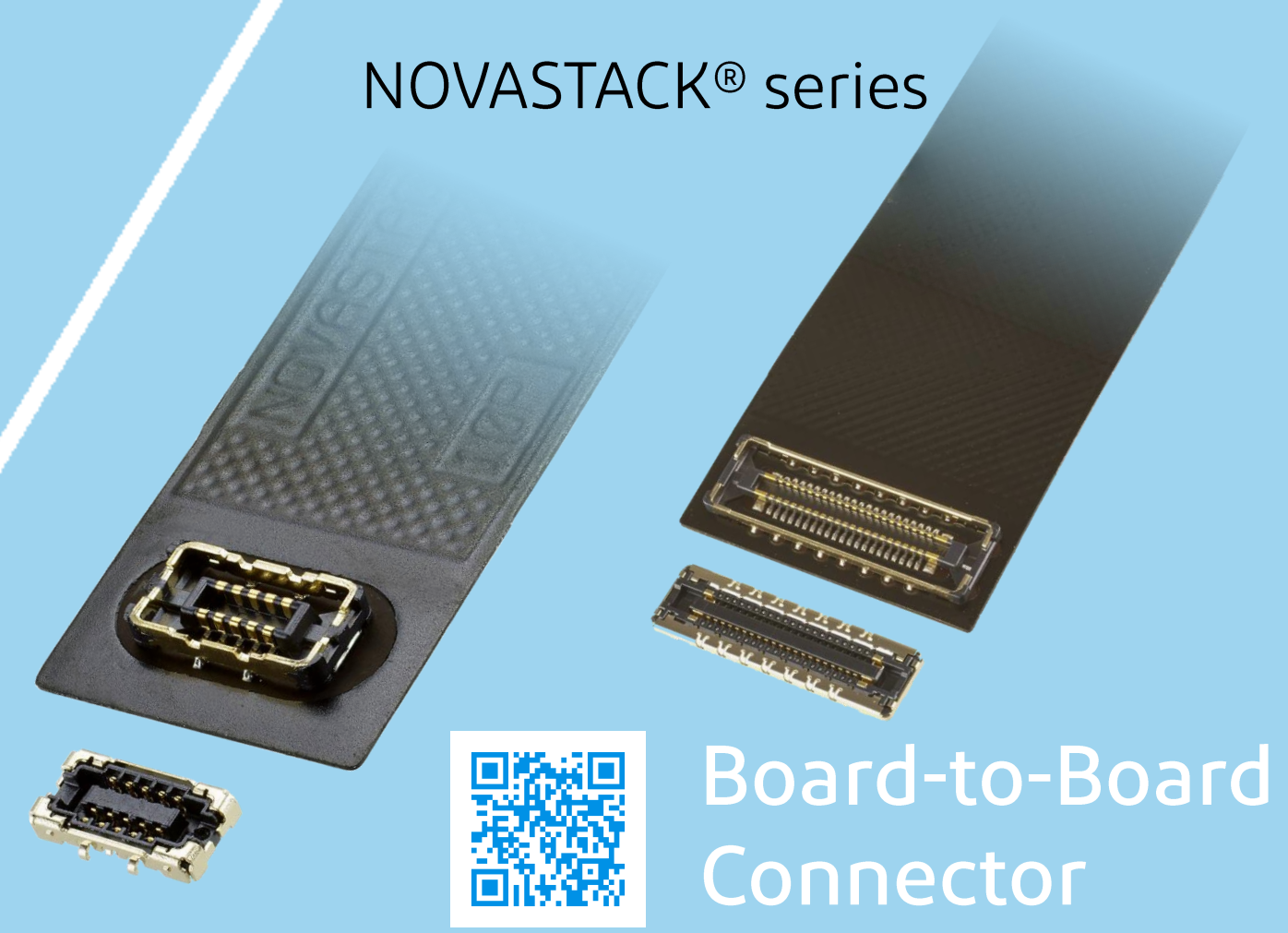


Optical Module

LIGHTPASS® series



NOVASTACK® series



Board-to-Board Connector



Power Connector/Terminal

AP series

ISH® series



MINIFLEX® series

EVAFLEX® series



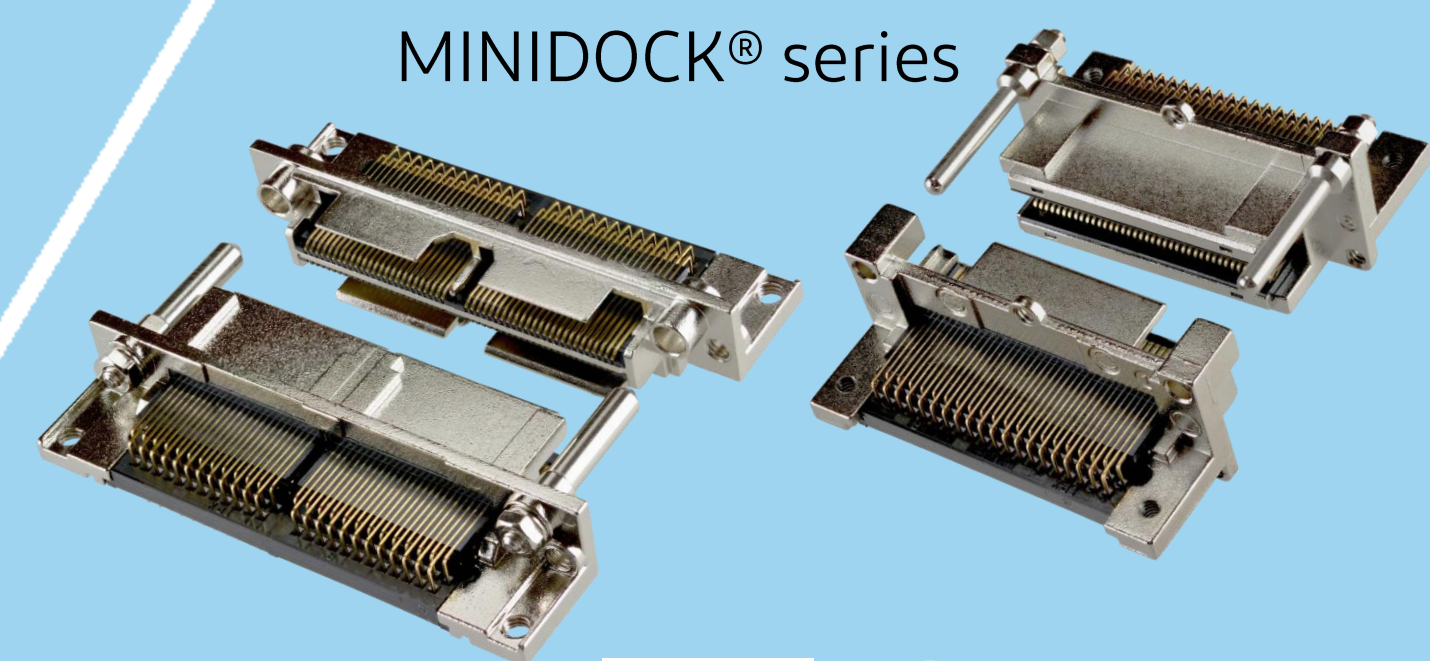
FPC FFC Connector



Inquiry



MINIDOCK® series



I/O Connector

I-PEX, MHF, CABLINE, LIGHTPASS, NOVASTACK, ISH, IARPB, MINIFLEX, EVAFLEX, MINIDOCKS and ZenShield are registered trademarks of I-PEX Inc. Please note that the contents in the catalog might be changed without prior notification. I-PEX Inc. assumes no responsibility for any inaccuracies or obligation to update information on these documents. Please be sure to read and understand the latest "Precautions for Use" and "Instruction Manual" before you use our products. We shall not be responsible for any defects, damages or troubles in case you use our products without following the precautions for use. Please feel free to contact our sales representatives when you use our products for any applications that require very high reliability and safety, or that relate to human life (ex. nuclear power control, aerospace, transportation, medical equipment, safety equipment etc.).

Contact your sales representative or more detailed information.

www.i-pex.com



I-PEX

© I-PEX Inc. 2024
All rights reserved