

# ISH<sup>®</sup> (Wire-to-Wire Type)

耐热, 耐振, 线对线继电器连接器

Product Specifications:		Single-row	Double-row
Pitch (mm max.)		2.0	
Contact Size (mm)		0.5 × 0.4(020)	
Mated Height (mm max.)		8.0	11.7
Width formula (mm)		4.9+2.0*?pin	5.3+1.0*?pin
Operating Temperature		-40 - 125°C	
Vibration Resistance		10G	
Current Rating		4.5A per pin	
Voltage Rating		100V	
Withstand Voltage		AC 1000V/minute	
Plating		Sn	
Housing		Male:glass-filled LCP, Female:PBT	
Pin counts	Range	Up to 40	Up to 40
	Available	3	8

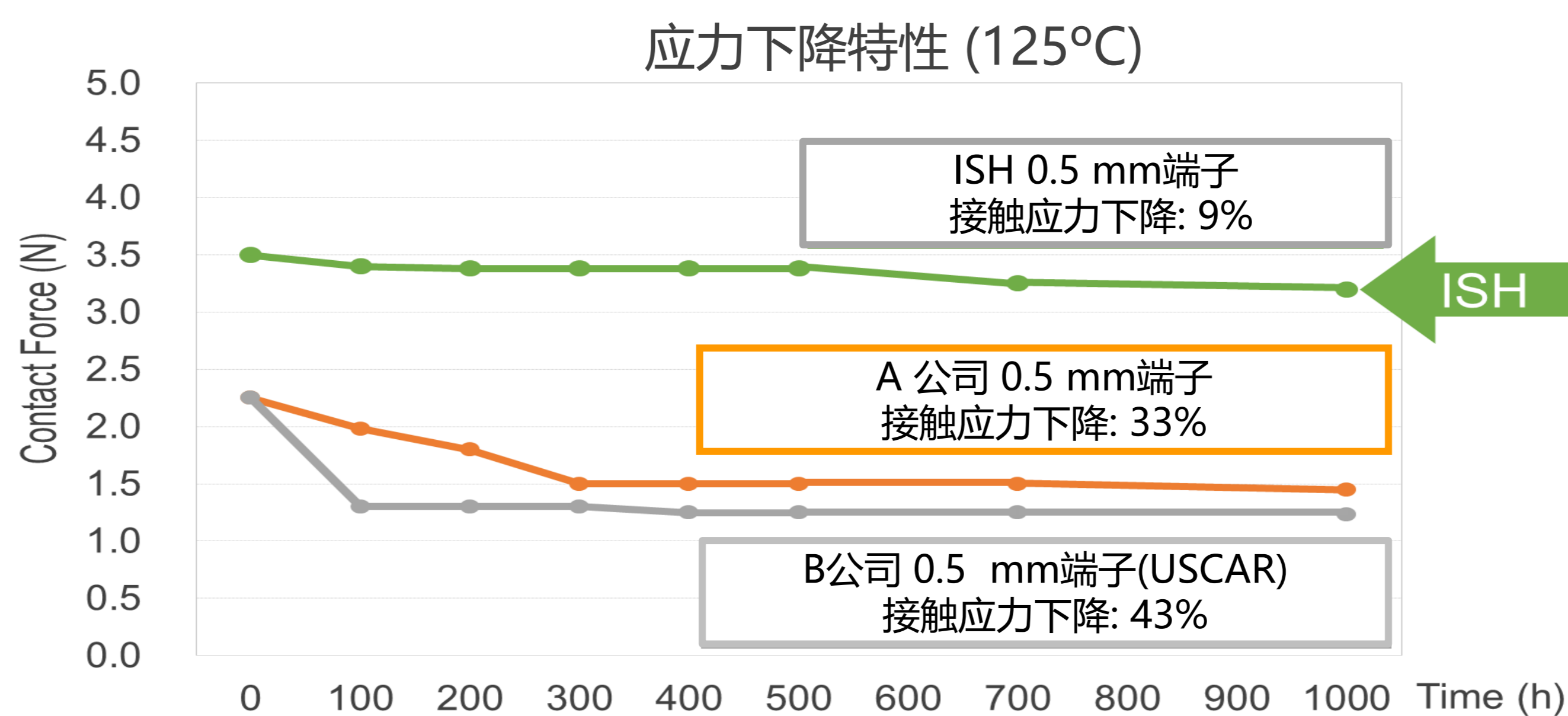
Applicable Cable Size:

AWG#22,#20 \*Insulation Diameter 1.6 mm max.

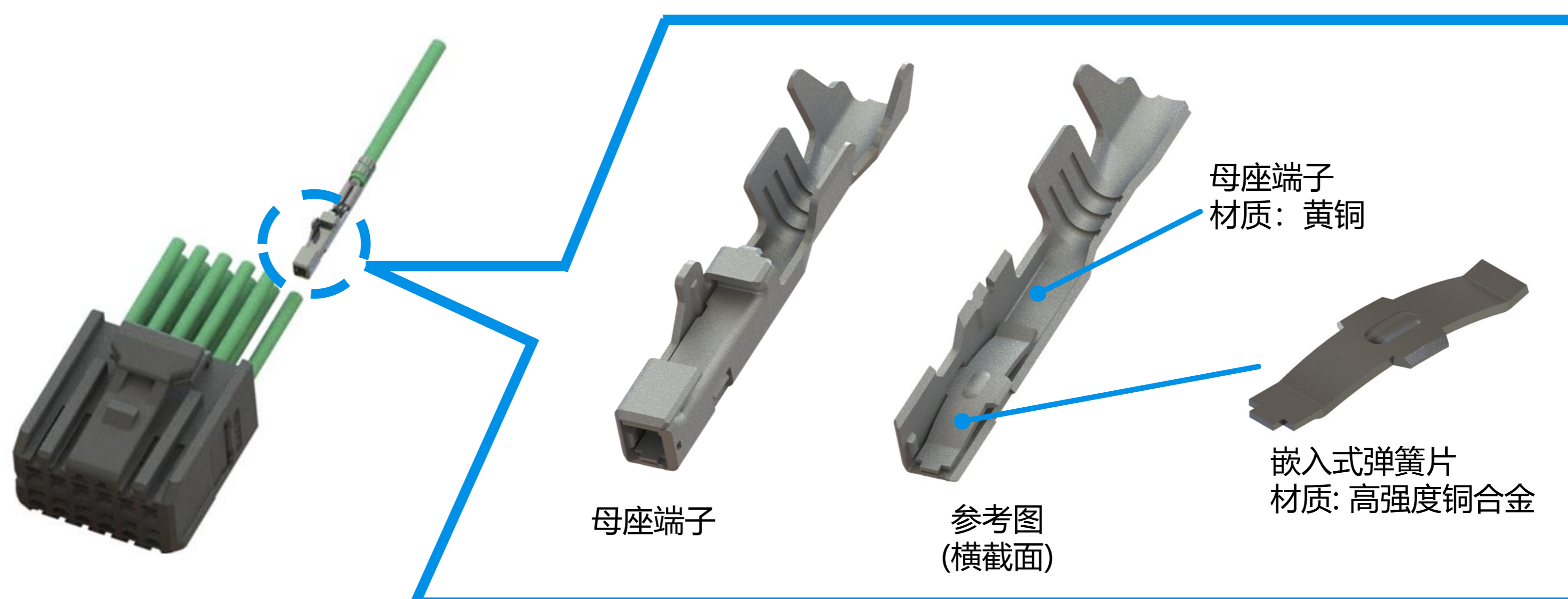
\*如您需要了解未列出或不在范围内的Pin数, 请咨询我们。



## ▶ 高耐热性和抗振动性, 适用于高接触可靠性应用



## ▶ 独特的嵌入式弹簧接线端子, 提供长期稳定的电气连接



## ▶ 适用车规及工业级别的行业应用



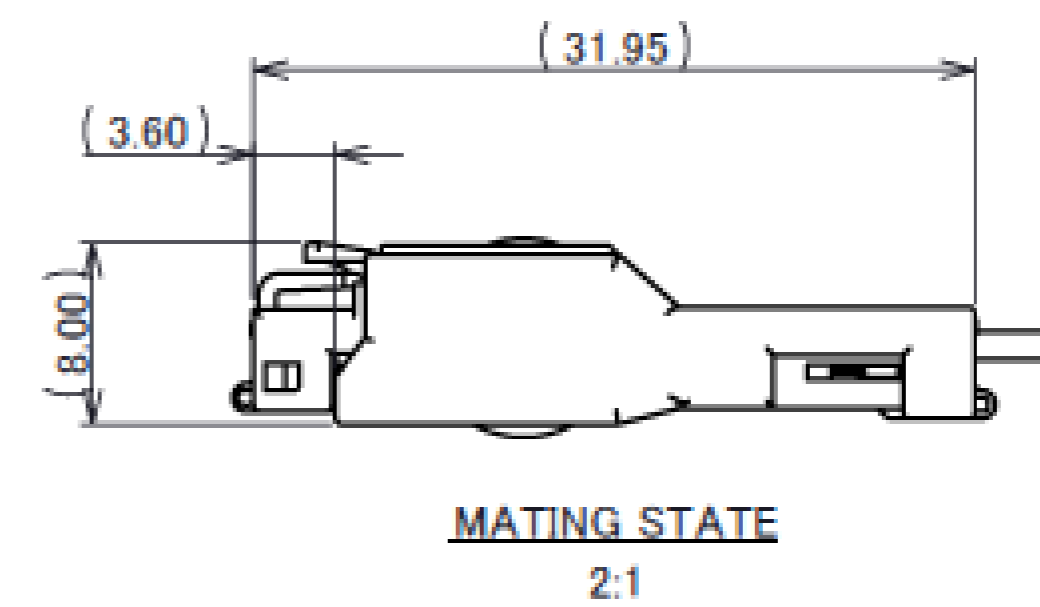
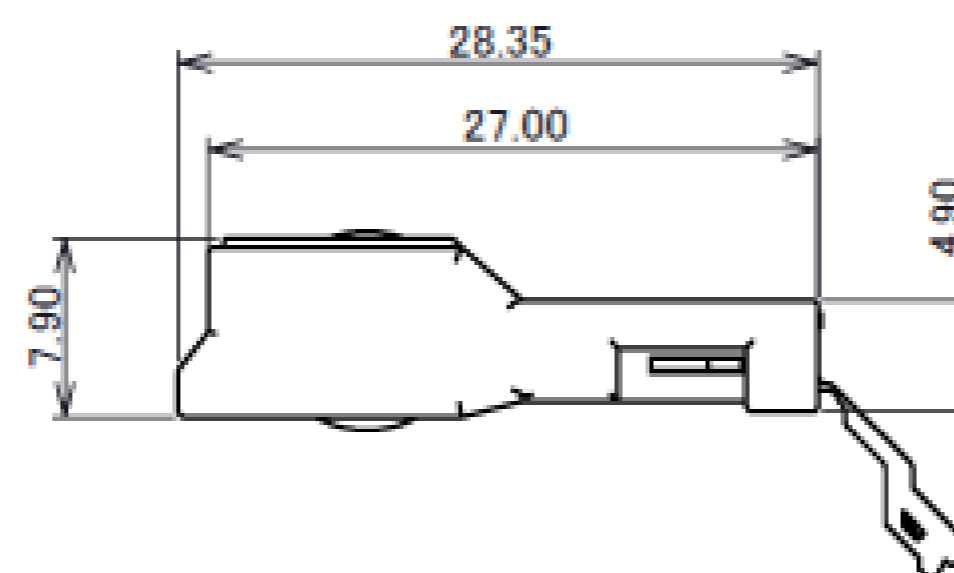
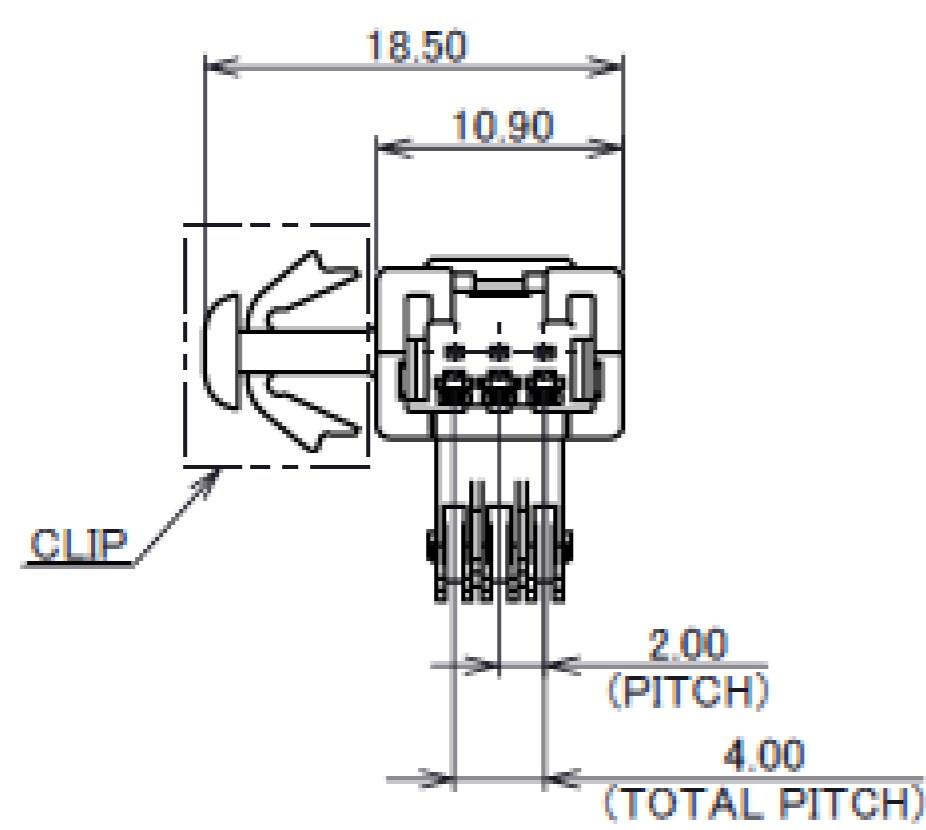
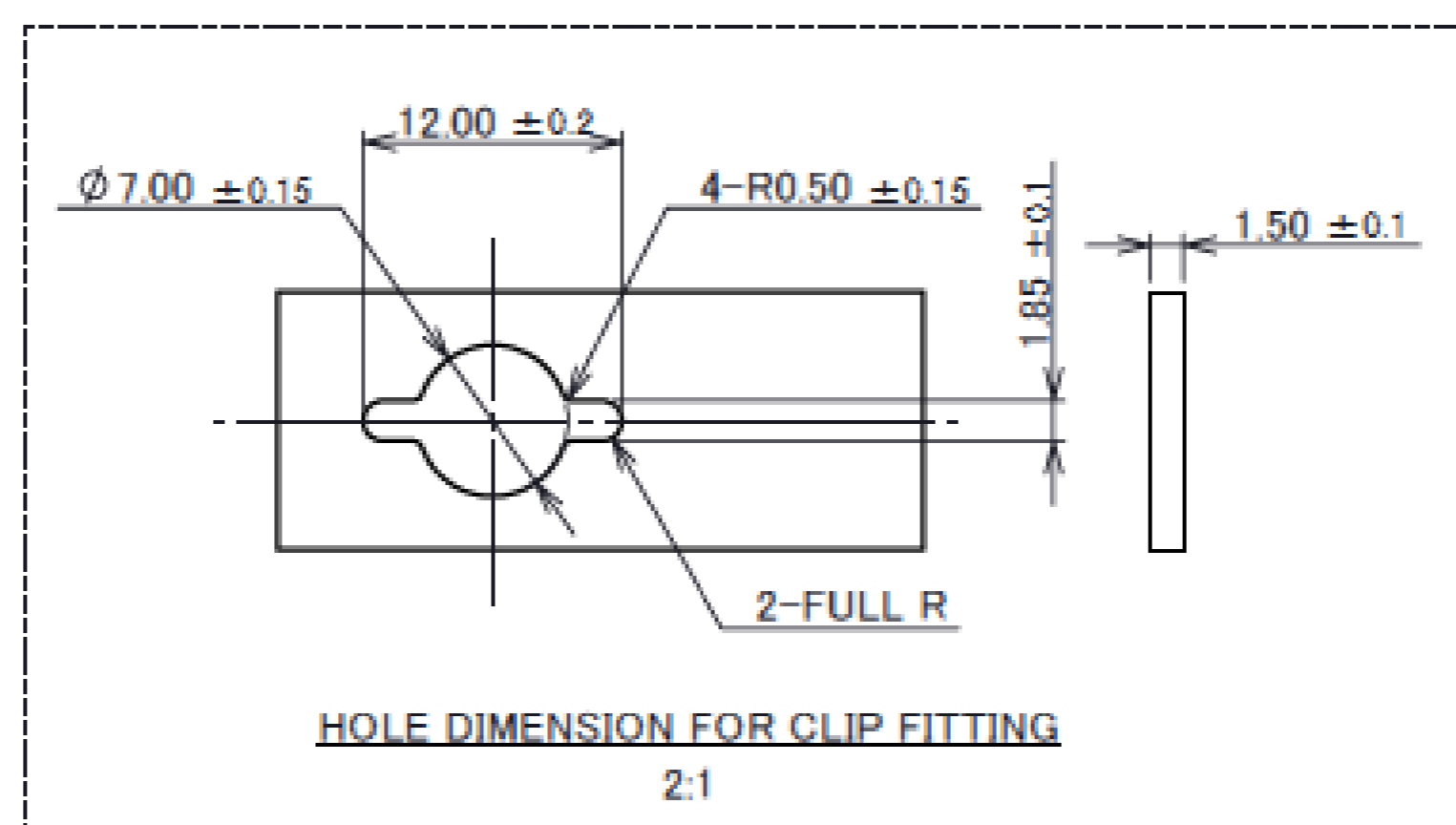
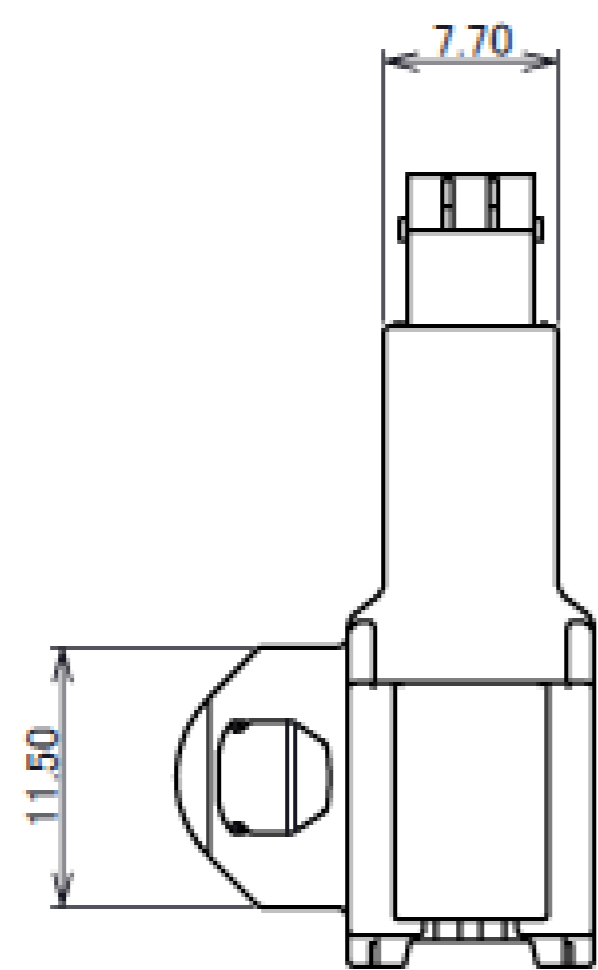
- 汽车大灯控制单元
- 逆变器和 DC/DC 转换器
- 电池控制模块
- 后视镜摄像模块
- 车载娱乐设施
- 机械设备
- 工厂自动化设备等

适用于高温应用

# Component Parts Details

## ISH® (Wire-to-Wire Type) MALE (SINGLE ROW):

PART NO.
V0112-91003-01



- NOTES
1. INLINE MALE TERMINAL PART NO.: VT010-01
  2. FEMALE CONNECTOR
  3. FEMALE HOUSING PART NO.: V0113-91003-01
  4. FEMALE TERMINAL PART NO.: VT009-02
  5. COMPLY WITH ELV/ROHS
  6. HANDLE THE PRODUCT IN COMPLIANCE WITH HANDLING MANUAL [HDM-0024]

NO.	DESCRIPTION	MATERIAL	FINISH/COLOR/REMARKS
1	MALE HOUSING	PBT	BLACK/UL94HB

Rev.0



# ISH® (Wire-to-Wire Type) MALE (DOUBLE ROWS):

PART NO.	KEY CODING
V0031-008B-201	KEY CODING-A
V0031-008B-202	KEY CODING-B

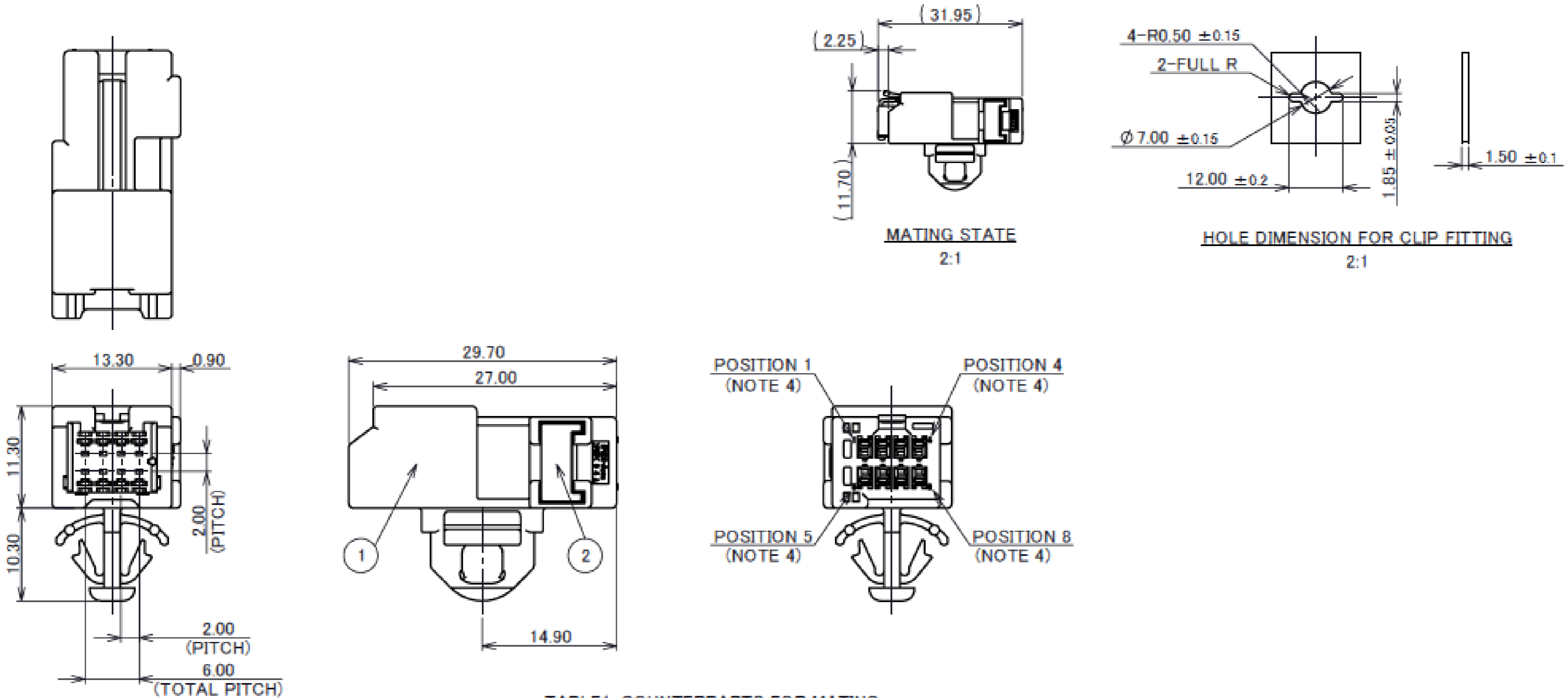


TABLE 1. COUNTERPARTS FOR MATING

KEY CODING	MALE CONNECTOR		FEMALE CONNECTOR					
	PART NO.	COLOR	PART NO.	COLOR	PART NO.	COLOR	PART NO.	FINISH
KEY CODING-A	V0122-008B-01	MALE HOUSING: BLACK MALE RETAINER: BLACK	V0116-91008-02	BLACK	V0116-92008-01	BLACK	VT009-02	Sn REFLOW
KEY CODING-B	V0122-008B-11	MALE HOUSING: NATURAL MALE RETAINER: BLACK	V0116-91008-12	NATURAL				

2	MALE RETAINER	GLASS-FILLED PBT	BLACK
1	MALE HOUSING	PBT	BLACK, NATURAL
NO.	DESCRIPTION	MATERIAL	FINISH/COLOR/REMARKS

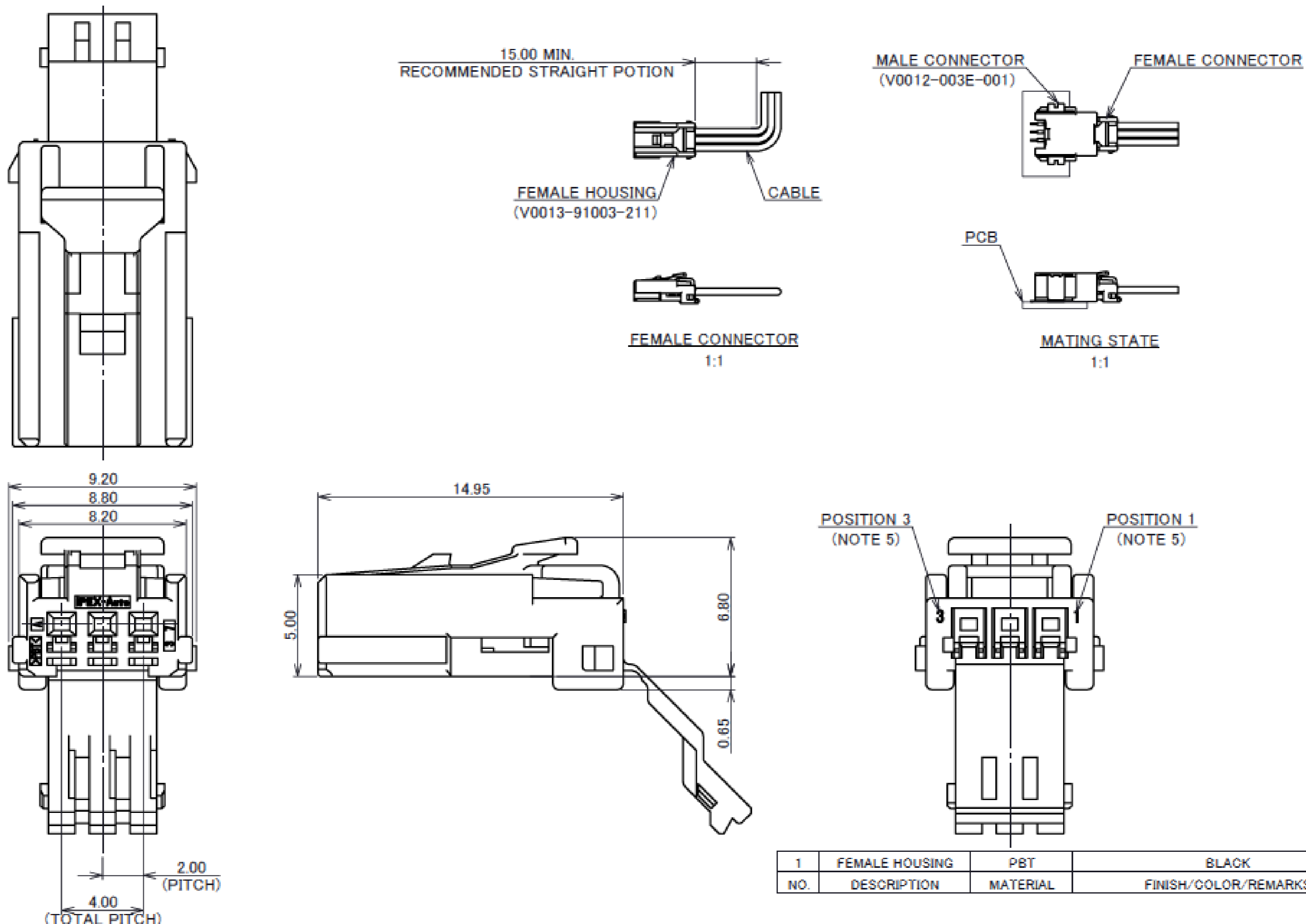
NOTES

1. APPLICABLE PART NO.:  
 • MALE TERMINAL --- VT010-01  
 • FEMALE CONNECTOR --- IT IS SHOWN IN TABLE 1.
2. COMPLY WITH ELV / RoHS.
3. HANDLE OF PRODUCT IN COMPLIANCE WITH HANDLING MANUAL [HDM-0022]
4. POSITION NUMBERS ARE INDICATED.

Rev.0

# ISH® (Wire-to-Wire Type) FEMALE (SINGLE ROW):

PART NO.	LOCK TYPE	KEY CODING	COLOR	FOR REAR COVER
V0113-91003-01	NORMAL ROCK	-	BLACK	N/A



1	FEMALE HOUSING	PBT	BLACK
NO.	DESCRIPTION	MATERIAL	FINISH/COLOR/REMARKS

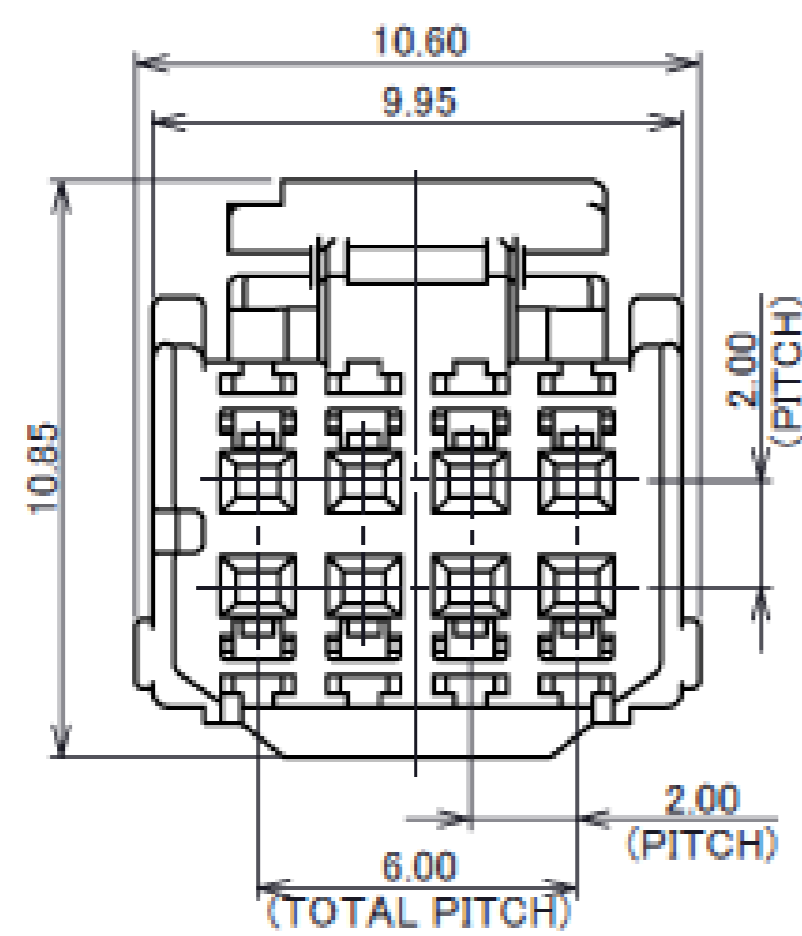
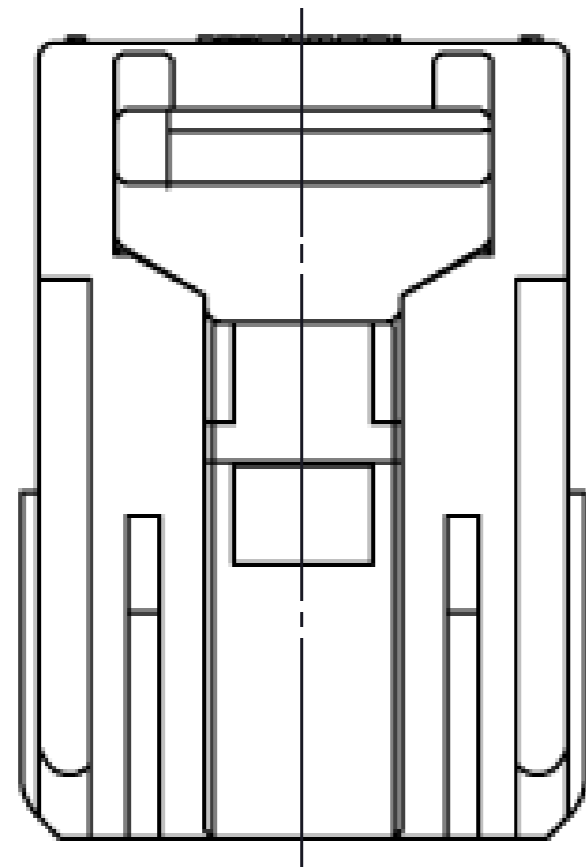
NOTES

1. APPLICABLE PART NO.:  
 • FEMALE TERMINAL --- VT009-02  
 • CABLE COVER --- V0113-93003-01
2. MATERIAL: PBT
3. COMPLY WITH ELV / RoHS.
4. HANDLE OF PRODUCT IN COMPLIANCE WITH HANDLING MANUAL [HDM-0020]
5. POSITION NUMBERS ARE INDICATED.

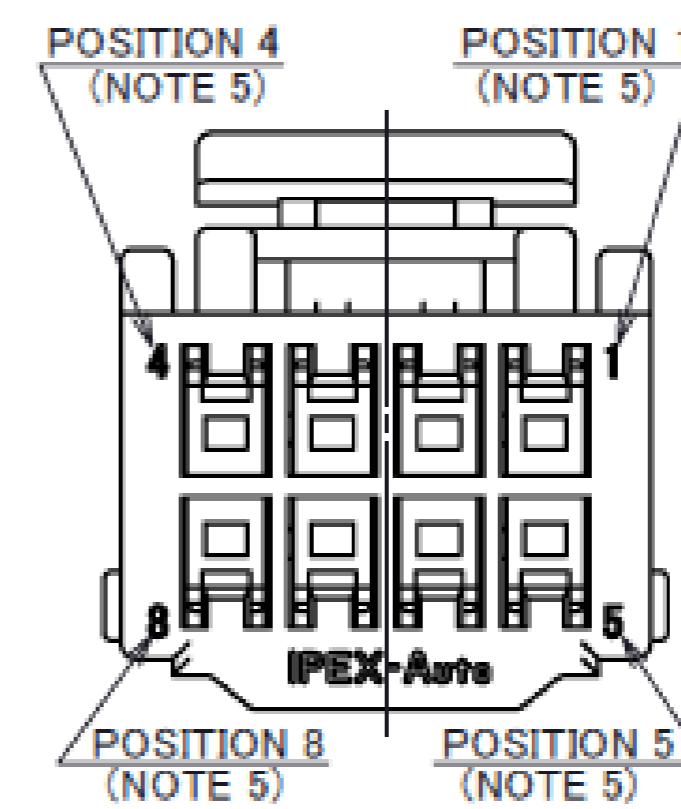
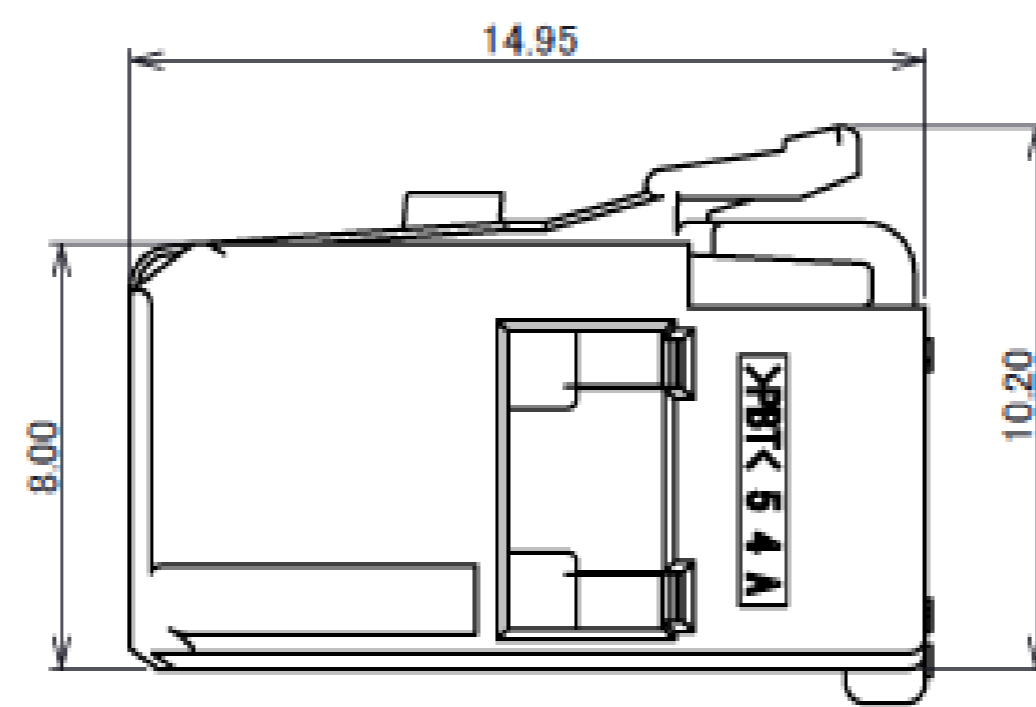
Rev.0

# ISH® (Wire-to-Wire Type) FEMALE (DOUBLE ROWS):

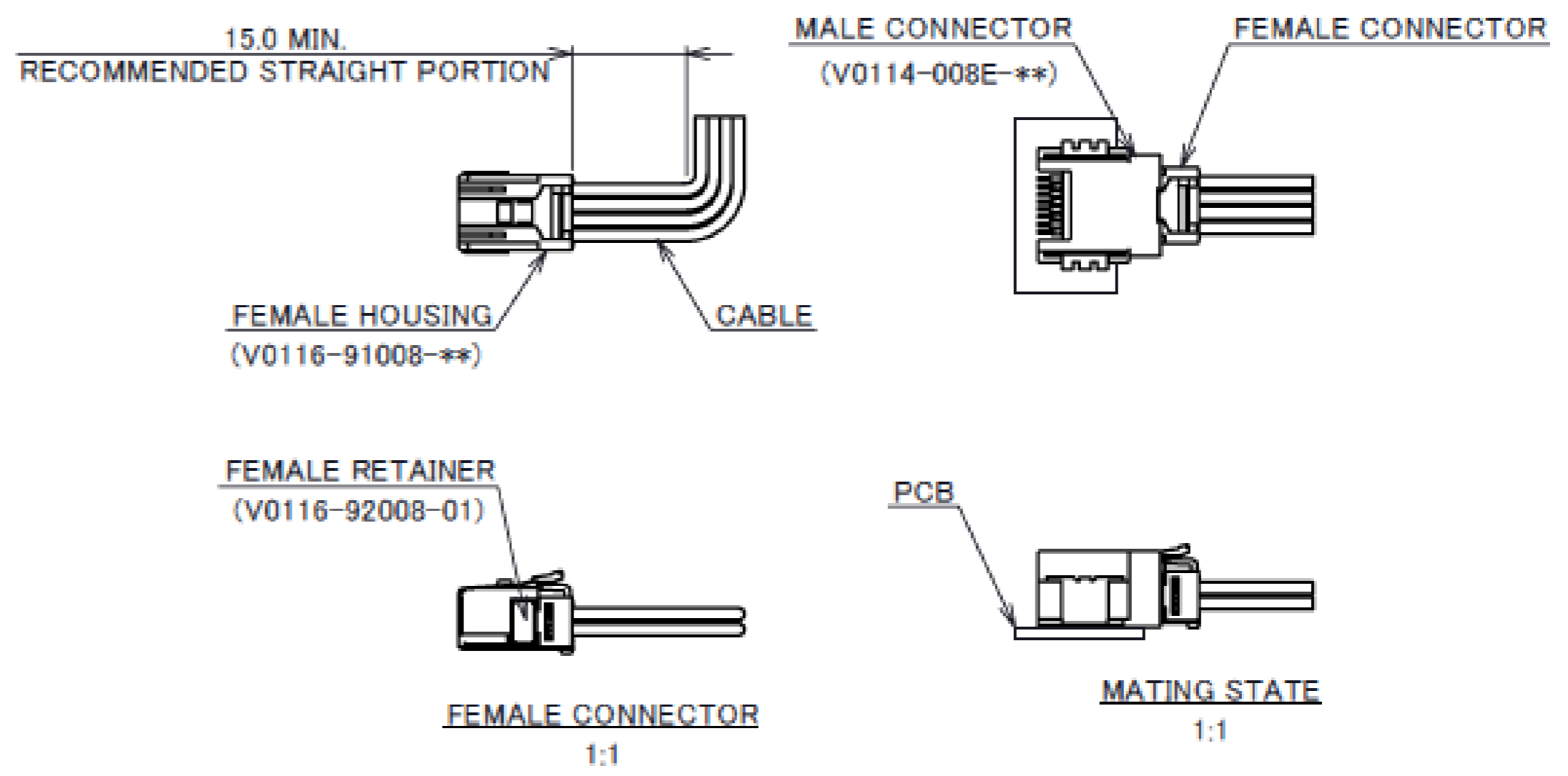
PART NO.	LOCK TYPE	KEY CODING	COLOR	FOR REAR COVER
V0116-91008-02	INERTIA LOCK	KEY CODING-A	BLACK	N/A
V0116-91008-03		KEY CODING-B	NATURAL	APPLICABLE
V0116-91008-12		KEY CODING-C	BLACK	N/A
V0116-91008-22		KEY CODING-D	NATURAL	



PART NO.: V0116-91008-02



NO.	DESCRIPTION	MATERIAL	FINISH/COLOR/REMARKS
1	MALE HOUSING	PBT	BLACK, NATURAL

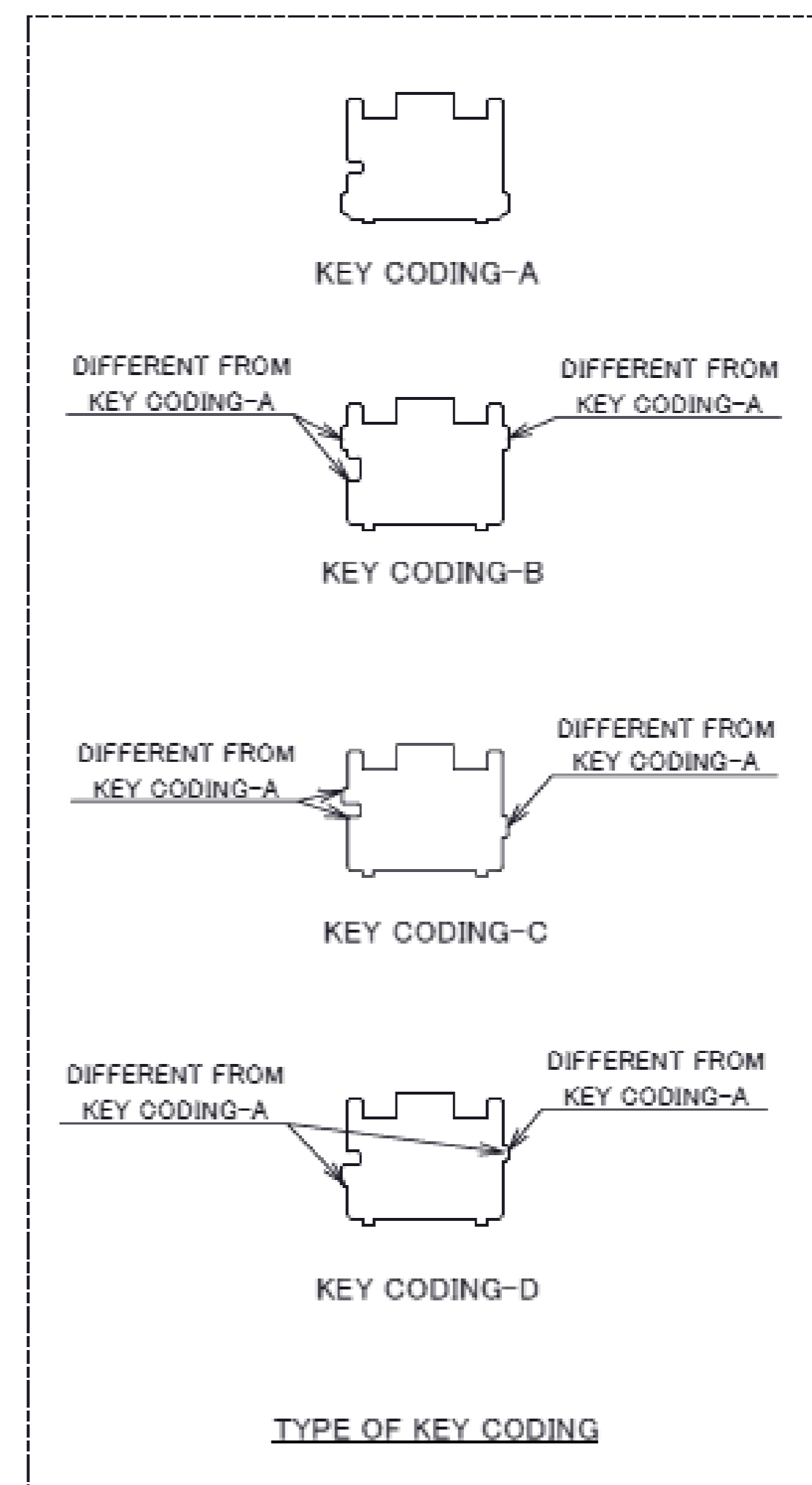
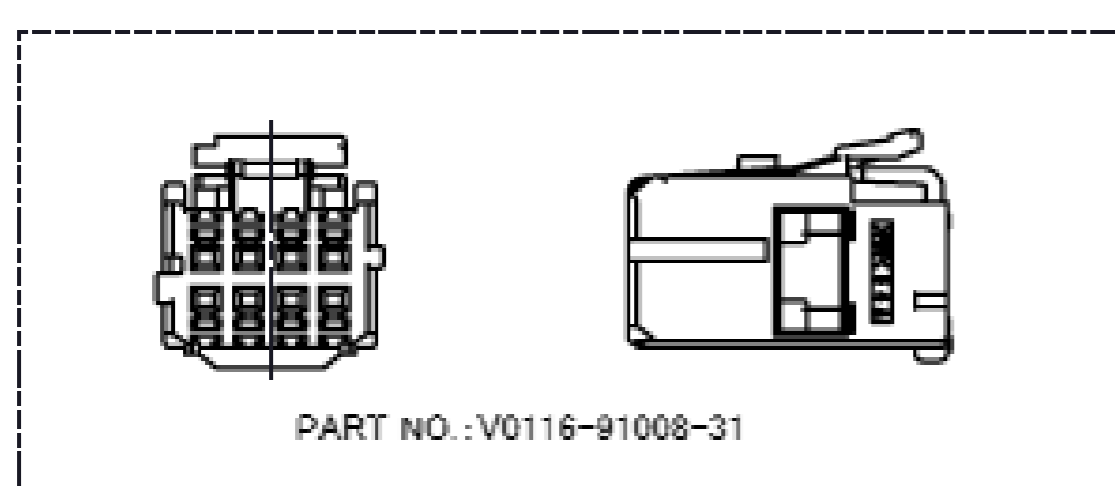
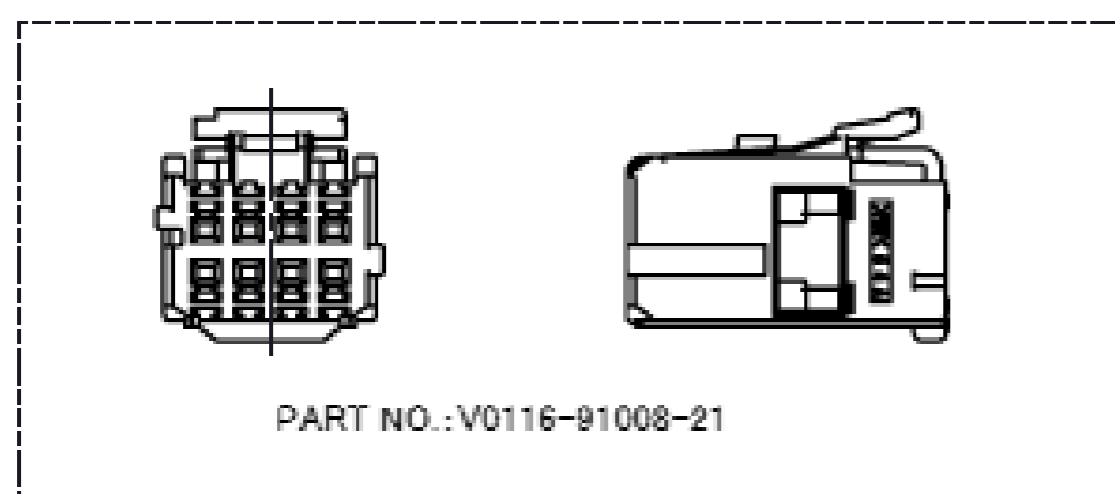
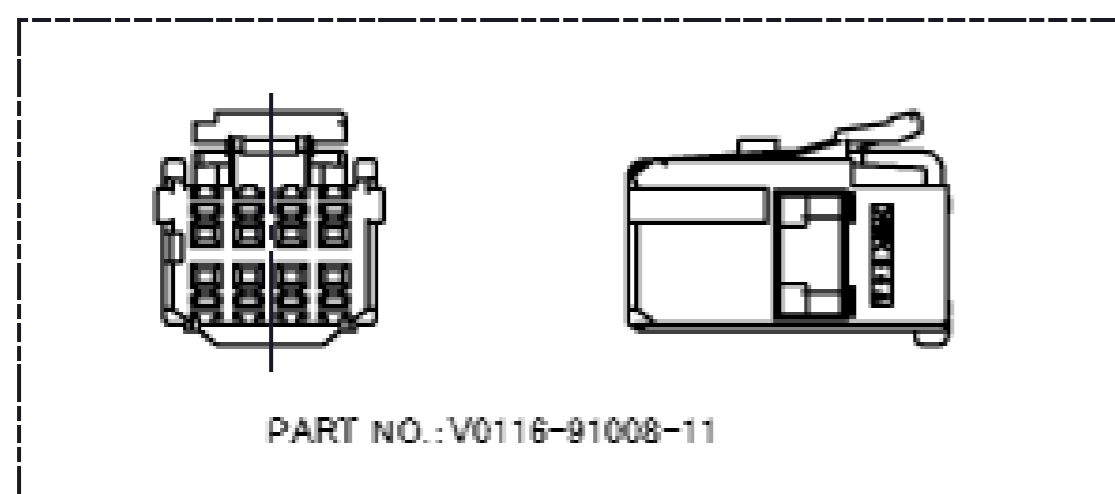
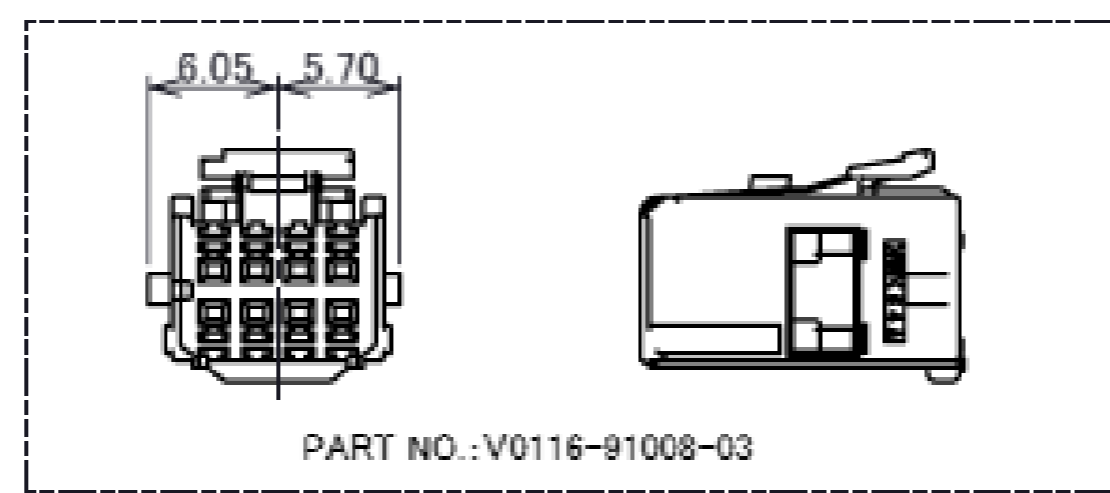
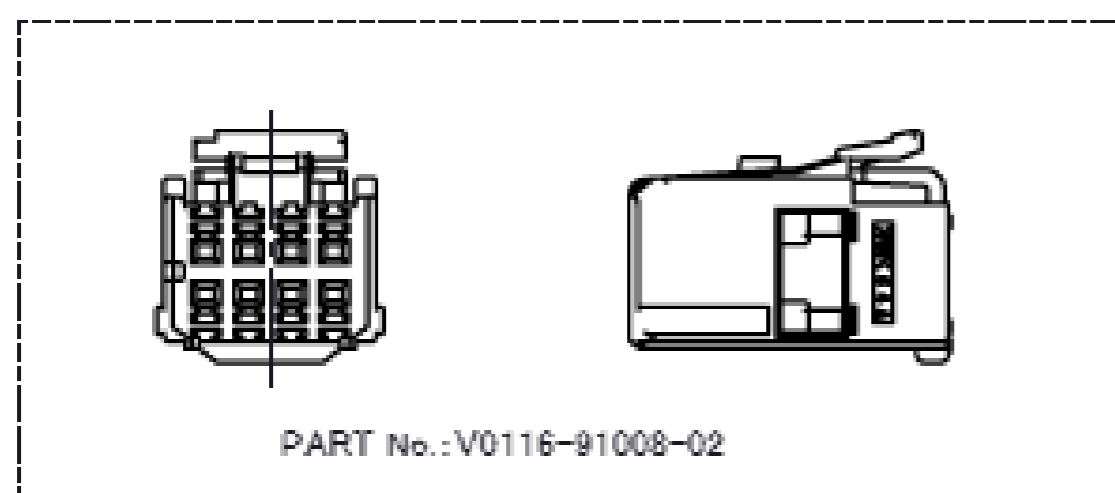


- NOTES
1. APPLICABLE PART NO.:  
 - FEMALE TERMINAL --- VT009-02  
 - FEMALE RETAINER --- V0116-92008-01  
 - REAR COVER --- V0116-94008-01
  2. MATERIAL: PBT
  3. COMPLY WITH ELV/ROHS.
  4. HANDLE OF PRODUCT IN COMPLIANCE WITH HANDLING MANUAL [HDM-0020]
  5. POSITION NUMBERS ARE INDICATED.

Rev.0

# ISH® (Wire-to-Wire Type) FEMALE (DOUBLE ROWS):

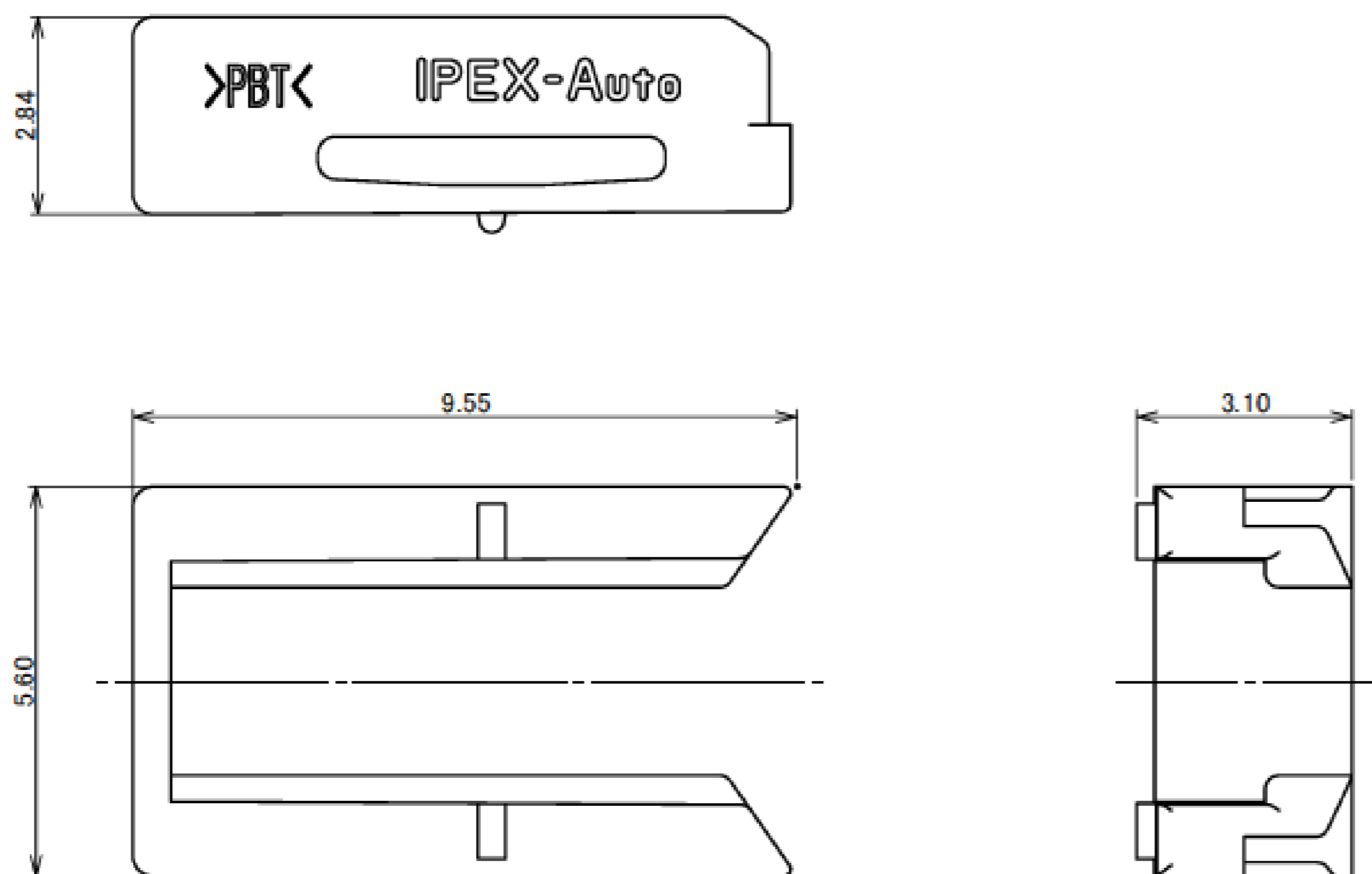
PART NO.	LOCK TYPE	KEY CODING	COLOR	FOR REAR COVER
V0116-91008-02	INERTIA LOCK	KEY CODING-A	BLACK	N/A
V0116-91008-03		KEY CODING-B	NATURAL	APPLICABLE
V0116-91008-12		KEY CODING-C	BLACK	N/A
V0116-91008-22		KEY CODING-D	NATURAL	



Rev.0

# ISH® (Wire-to-Wire Type) FEMALE RETAINER (DOUBLE ROWS):

PART NO.
V0116-92008-01



**NOTES**

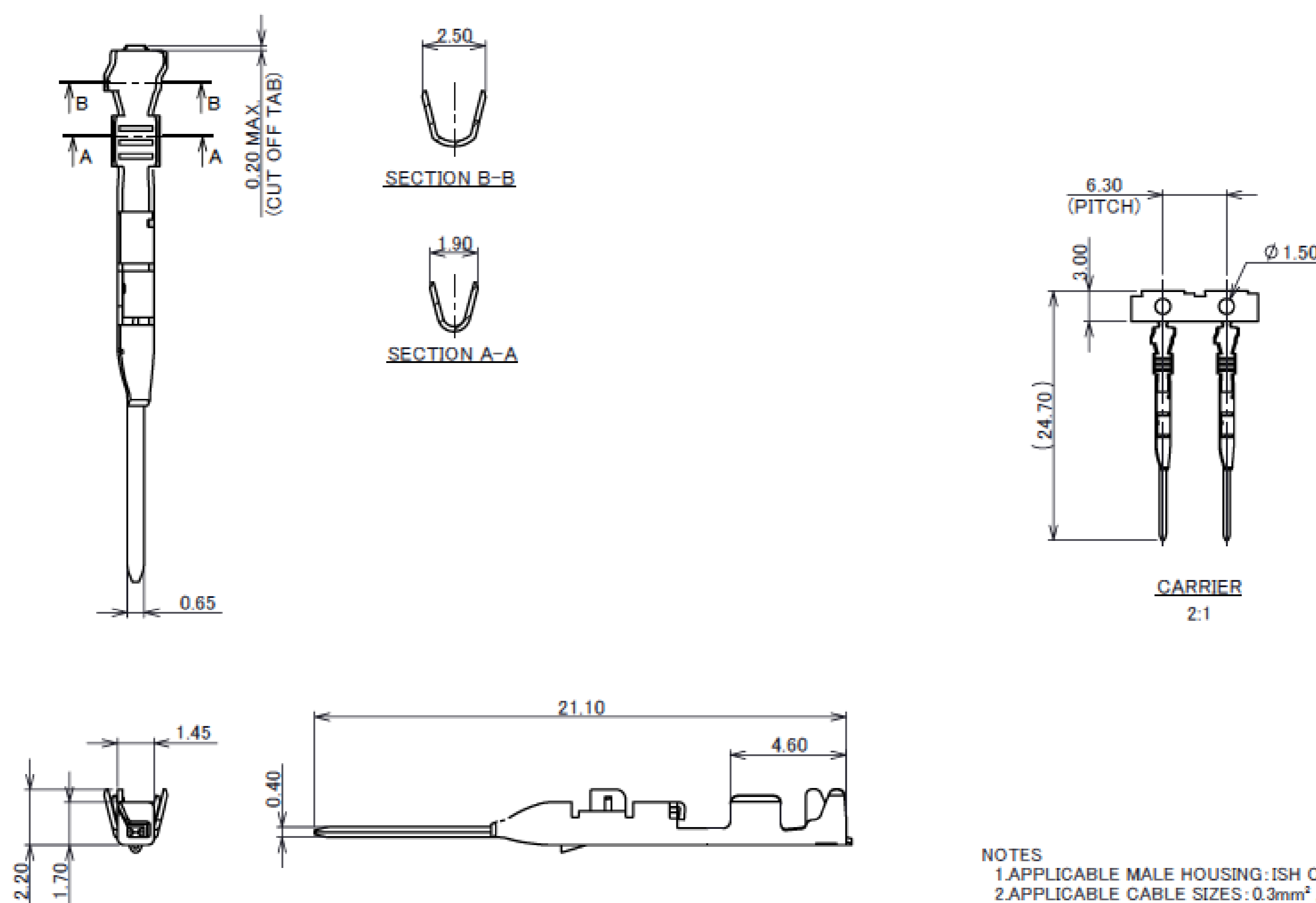
1. APPLICABLE PART NO.:  
 \*FEMALE HOUSING\*\* V0116-91008-\*\*  
 V0119-91008-01
2. MATERIAL: PBT
3. COMPLY WITH ELV/RoHS.
4. HANDLE OF PRODUCT IN COMPLIANCE WITH HANDLING MANUAL [HDM-0020]

1	FEMALE RETAINER	PBT	BLACK
NO.	DESCRIPTION	MATERIAL	FINISH/COLOR/REMARKS

Rev.0

# ISH® (Wire-to-Wire Type) TERMINAL (for MALE):

PART NO.	PLATING
VT010-01	Sn REFLOW



**NOTES**

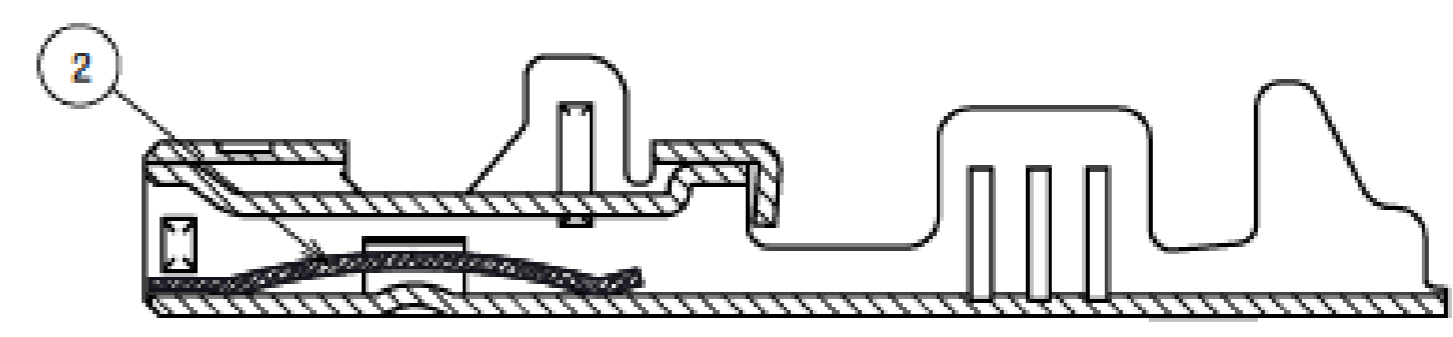
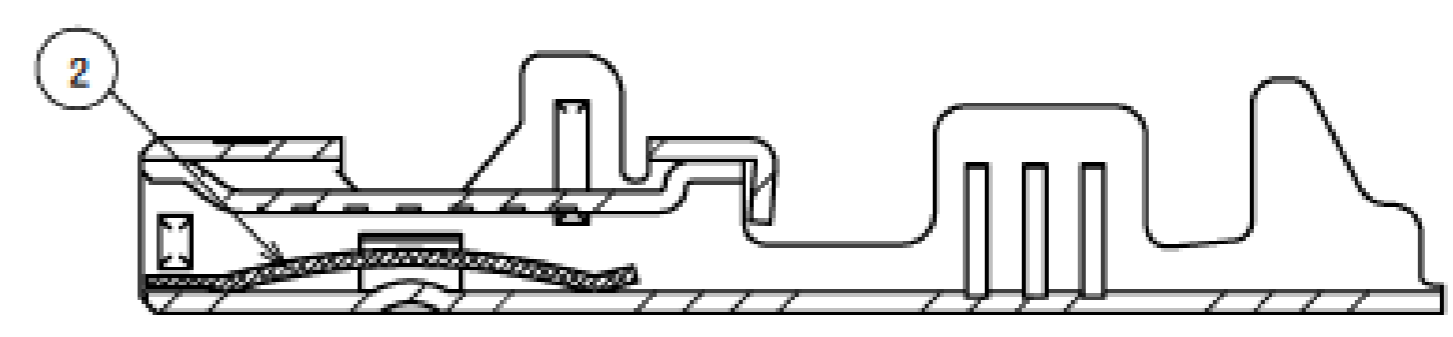
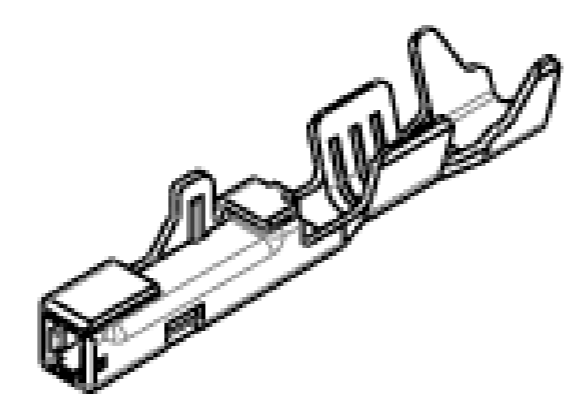
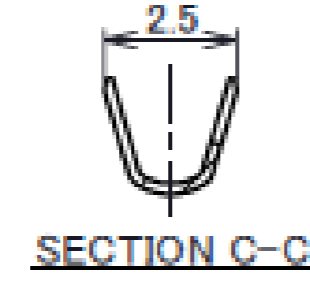
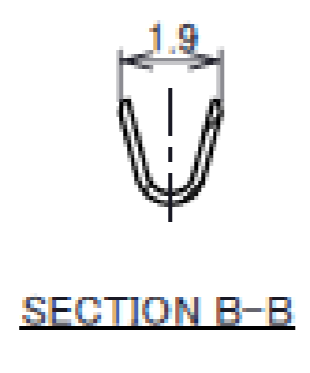
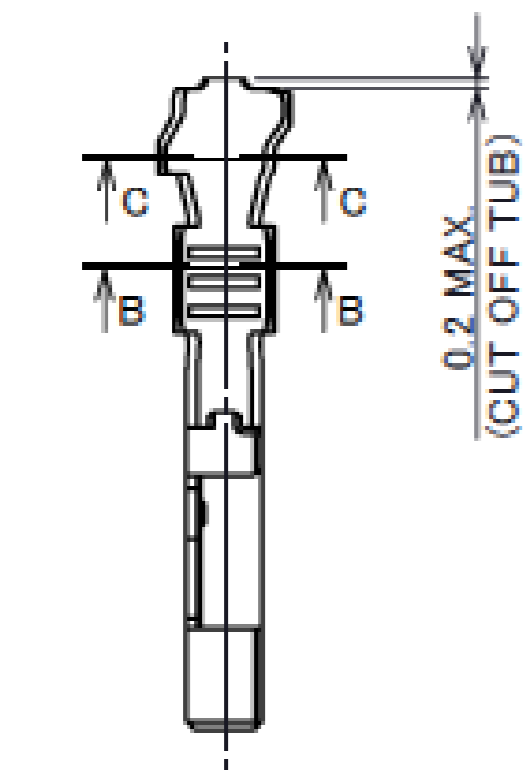
1. APPLICABLE MALE HOUSING: ISH CONNECTOR SERIES
2. APPLICABLE CABLE SIZES: 0.3mm<sup>2</sup> / 0.5mm<sup>2</sup> (FINISHED  $\phi$  1.60mm MAX.)
3. MATERIAL: BRASS  
 PLATING: Sn REFLOW
4. COMPLY WITH ELV/RoHS.
5. TERMINAL CRIMP SPECIFICATION MUST BE COMPLIANT WITH HANDLING MANUAL [HDM-0022],[HDM-0024]

1	MALE TERMINAL	BRASS	PLATING: Sn REFLOW
NO.	DESCRIPTION	MATERIAL	FINISH/COLOR/REMARKS

Rev.0

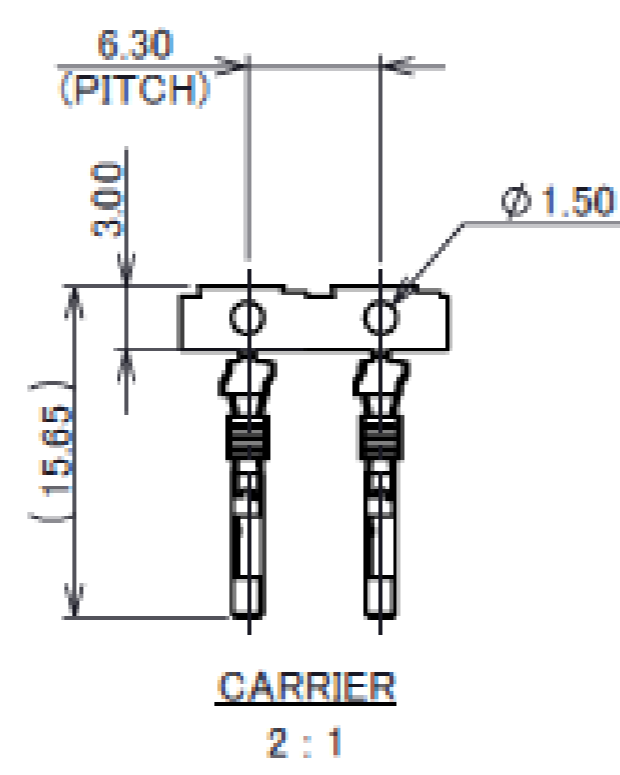
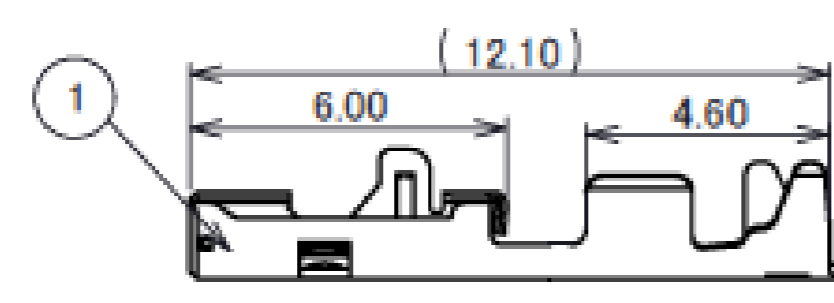
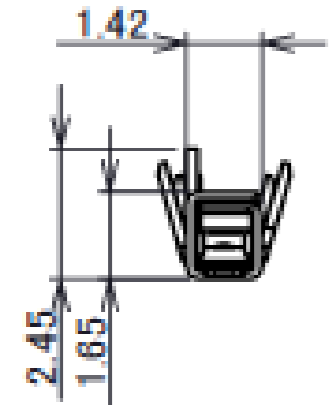
# ISH® (Wire-to-Wire Type) TERMINAL (for FEMALE):

PART NO.	PLATING
VT009-02	Sn REFLOW
VT009-03	CONTACT AREA : Au PLATING CRIMPING AREA : Sn REFLOW

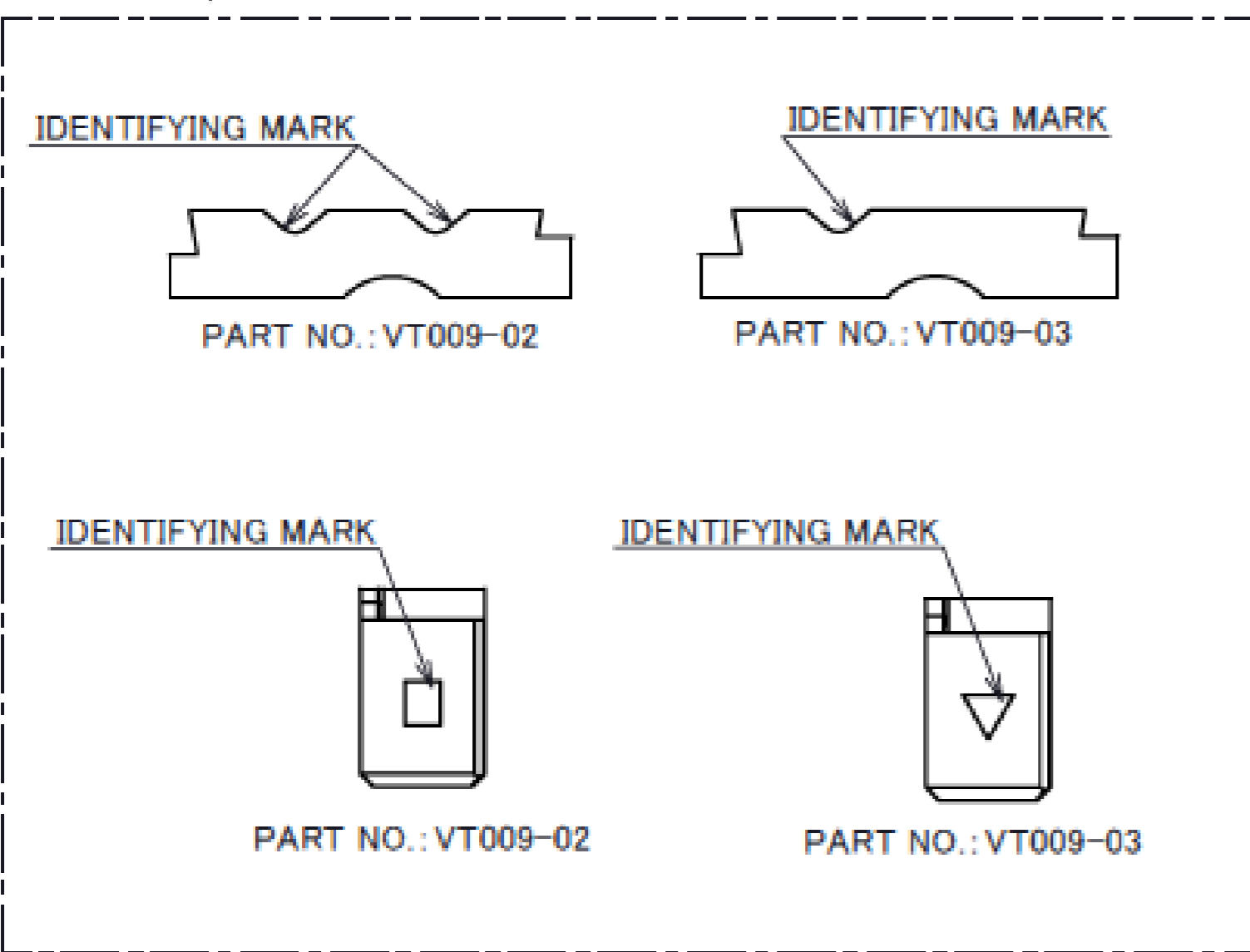


PART NO.: VT009-02

PART NO.: VT009-03  
SECTION A-A  
10:1



CARRIER  
2:1



- NOTE
1. APPLICABLE FEMALE HOUSING: ISH CONNECTOR SERIES
  2. APPLICABLE CABLE SIZE: 0.3mm<sup>2</sup> / 0.5mm<sup>2</sup> (FINISHED  $\phi$  1.60mm MAX.)
  3. COMPLY WITH ELV/RoHS.
  4. TERMINAL CRIMP SPECIFICATION MUST BE COMPLIANT WITH HANDLING MANUAL [HDM-0020].

2	SPRING	COPPER ALLOY	VT009-02 PLATING : Sn REFLOW VT009-03 PLATING : Au PLATING
1	BODY	BRASS	VT009-02 PLATING : Sn REFLOW VT009-03 PLATING : Au PLATING CONTACT AREA : Au PLATING CRIMPING AREA : Sn REFLOW
NO.	DESCRIPTION	MATERIAL	FINISH/COLOR/REMARKS

Rev.0



# Custom Products Available

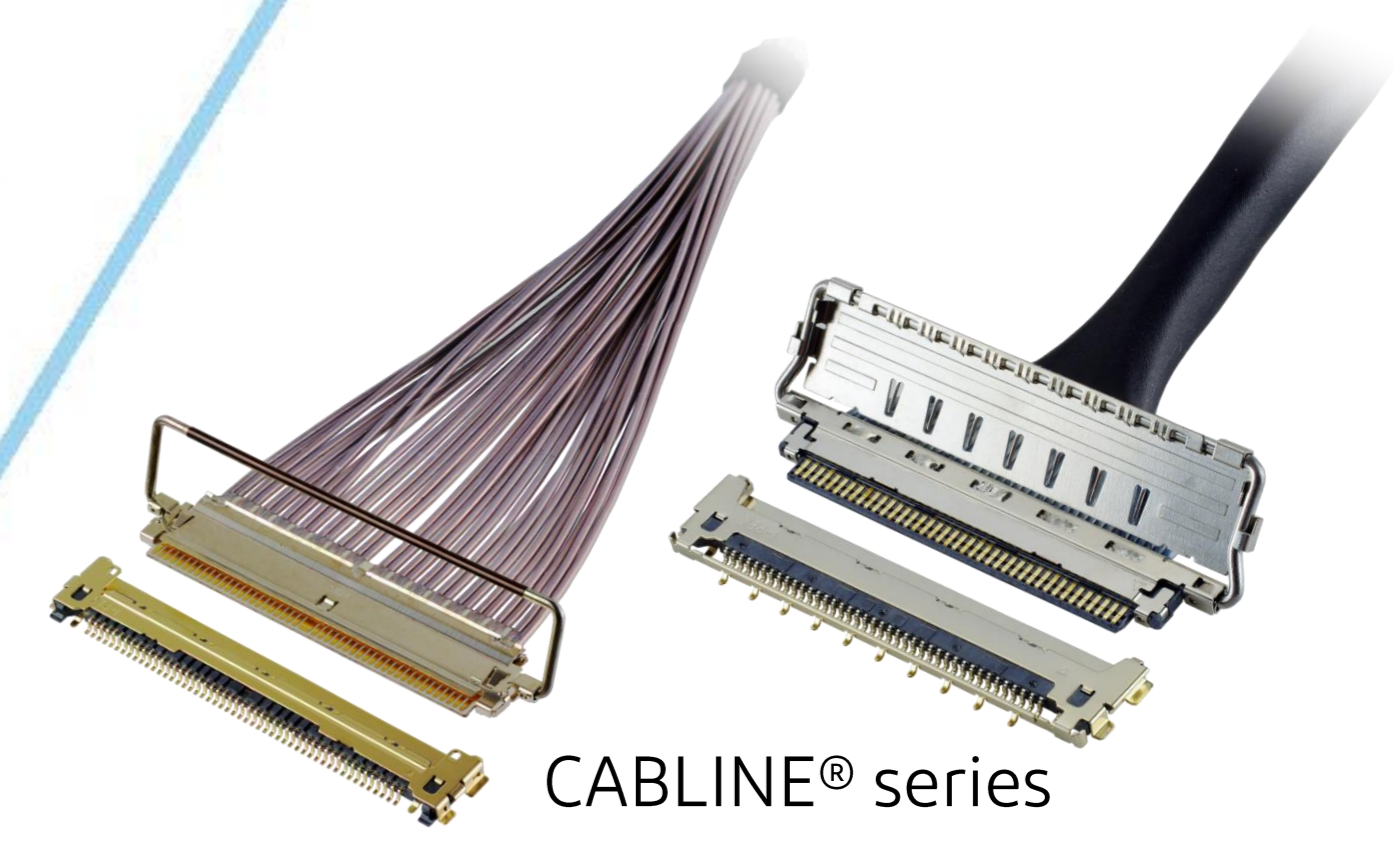
## RF Connector

MHF® series



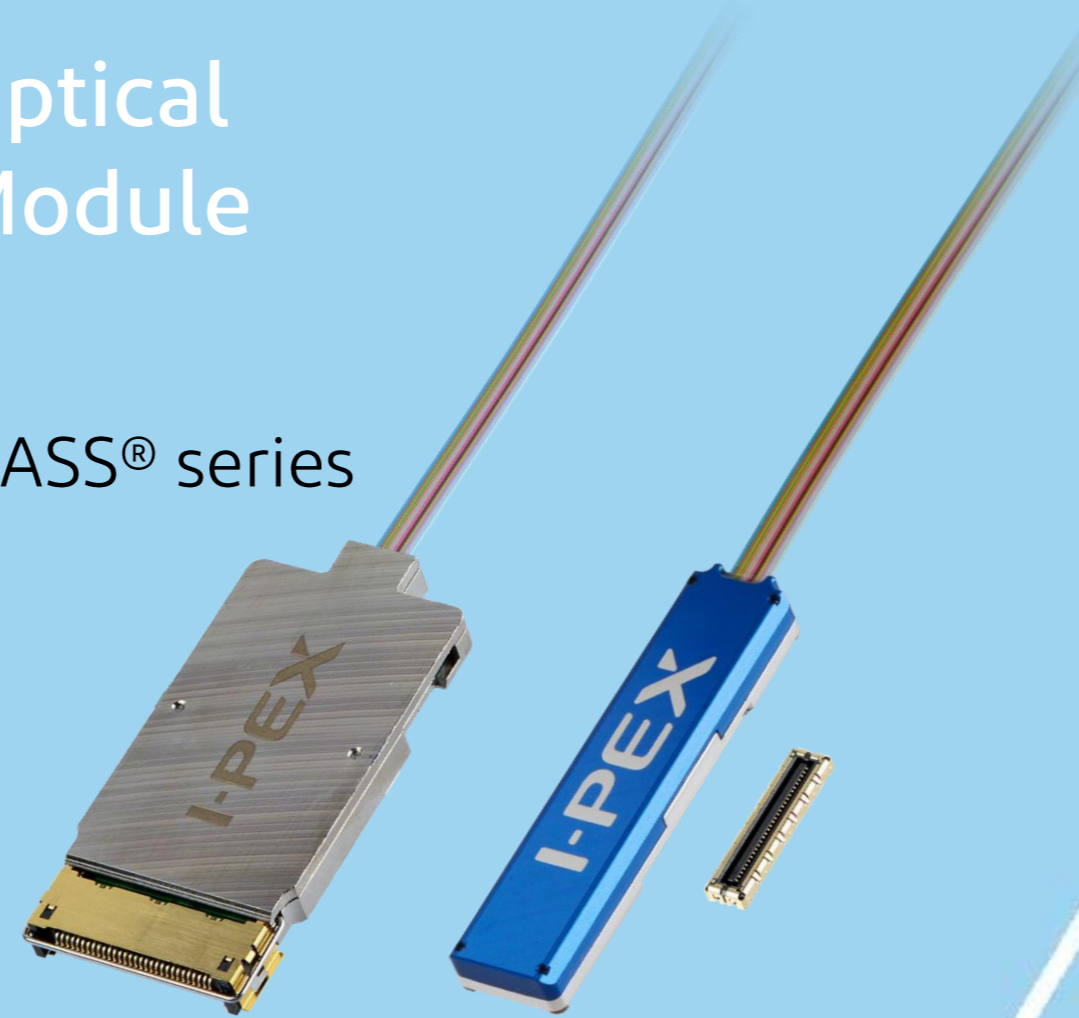
## Micro-coaxial/Twinax/Discrete Wire Connector

CABLIN® series

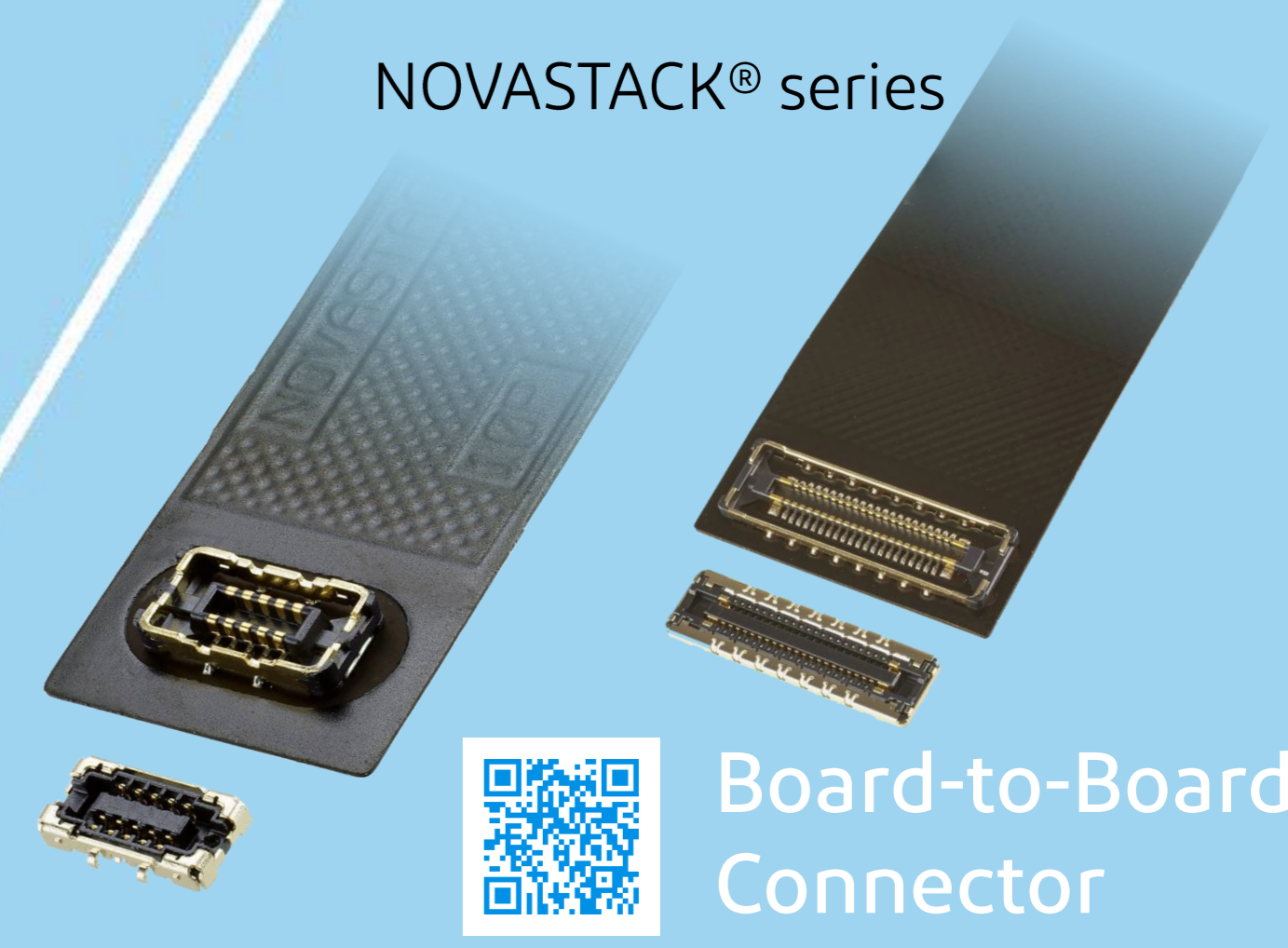


## Optical Module

LIGHTPASS® series



NOVASTACK® series



## Board-to-Board Connector



## Power Connector/Terminal

AP series

ISH® series



MINIFLEX® series

EVAFLEX® series



## FPC FFC Connector



Inquiry



MINIDOCK® series



## I/O Connector

I-PEX, MHF, CABLINE, LIGHTPASS, NOVASTACK, ISH, IARPB, MINIFLEX, EVAFLEX, MINIDOCKS and ZenShield are registered trademarks of I-PEX Inc. Please note that the contents in the catalog might be changed without prior notification. I-PEX Inc. assumes no responsibility for any inaccuracies or obligation to update information on these documents. Please be sure to read and understand the latest "Precautions for Use" and "Instruction Manual" before you use our products. We shall not be responsible for any defects, damages or troubles in case you use our products without following the precautions for use. Please feel free to contact our sales representatives when you use our products for any applications that require very high reliability and safety, or that relate to human life (ex. nuclear power control, aerospace, transportation, medical equipment, safety equipment etc.).

Contact your sales representative or more detailed information.

[www.i-pex.com](http://www.i-pex.com)



# I-PEX

© I-PEX Inc. 2024  
All rights reserved