

ISH[®] (Vertical Type)

耐熱, 耐振, 垂直款SMT連接器

| Product Specifications: | | Single-row | Double-row |
|-------------------------|-----------|---|----------------|
| Pitch (mm max.) | | 2.0 | |
| Contact Size (mm) | | 0.5 × 0.4(020) | |
| Mated Height (mm max.) | | (ISH)20.75, (ISHV)19.95 | |
| Width formula (mm) | | (ISH)7.6+1.0*?pin, (ISHV)10.5+1.0*?pin | |
| Operating Temperature | | -40 - 125°C | |
| Vibration Resistance | | 10G | |
| Current Rating | | 4.5A per pin | |
| Voltage Rating | | 100V | |
| Withstand Voltage | | AC 1000V/minute | |
| Plating | | Sn | |
| Housing | | Male:glass-filled LCP, Female:PBT | |
| Pin counts | Range | Up to 20 | Up to 40 |
| | Available | - | 8*, 10, 20, 26 |

Applicable Cable Size:

AWG#22,#20
*Insulation Diameter 1.6 mm max.

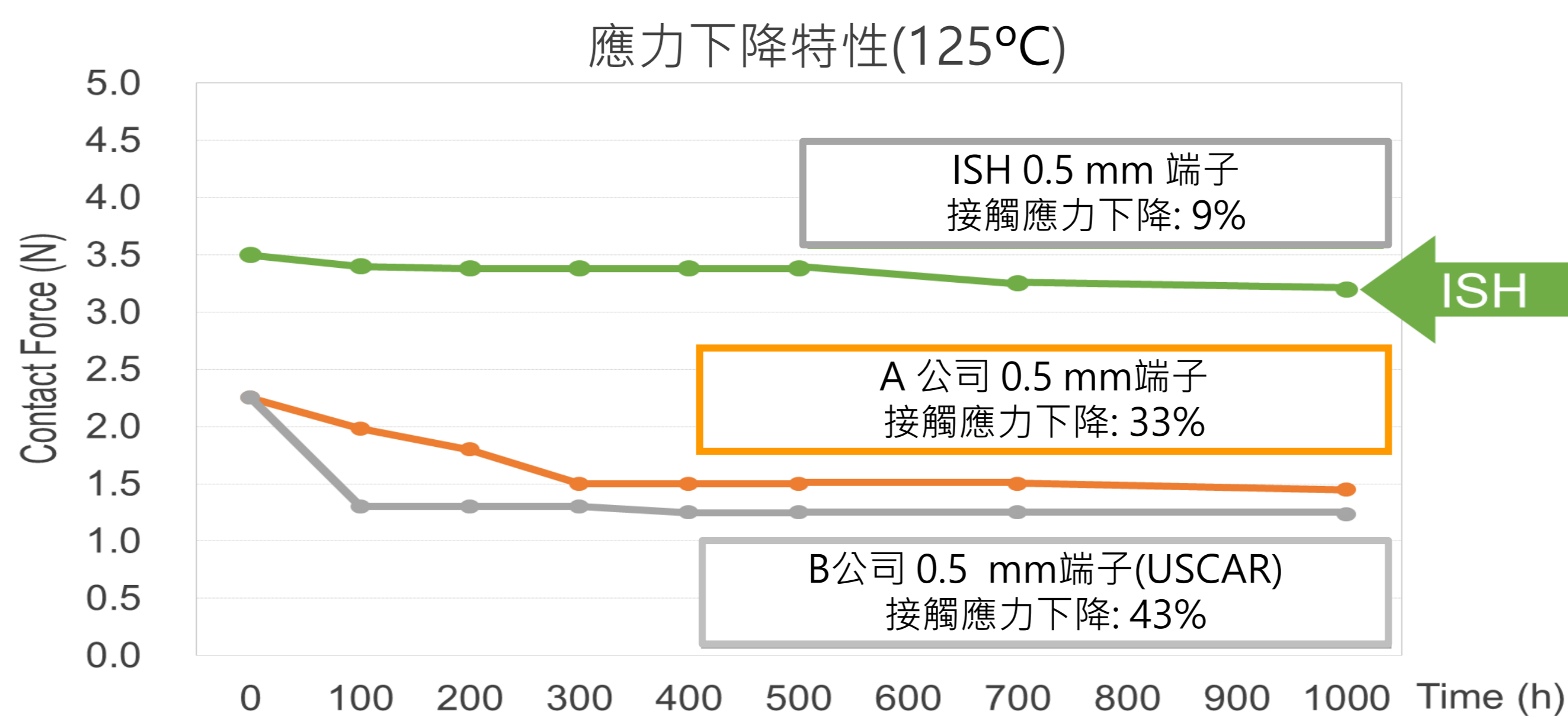
Applicable Standards (Reference Only):

LV214 : 8P (optional)

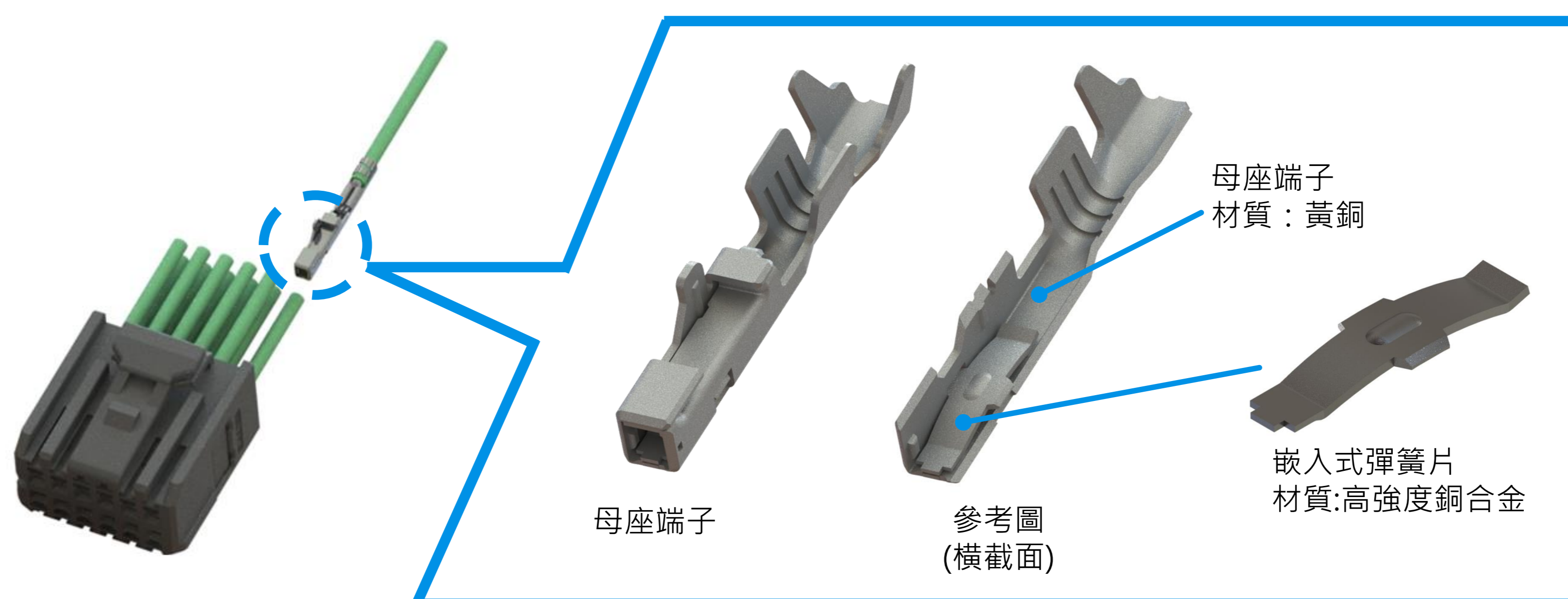
*如您需要瞭解未列出或不在範圍內的Pin數，請諮詢我們
*可提供 ISH V 8P



▶ 高耐熱性和抗振動性, 適用於高接觸可靠性應用



▶ 獨特的嵌入式彈簧接線端子, 提供長期穩定的電氣連接



▶ 兼容LV214, 為車規和工業級應用而設計



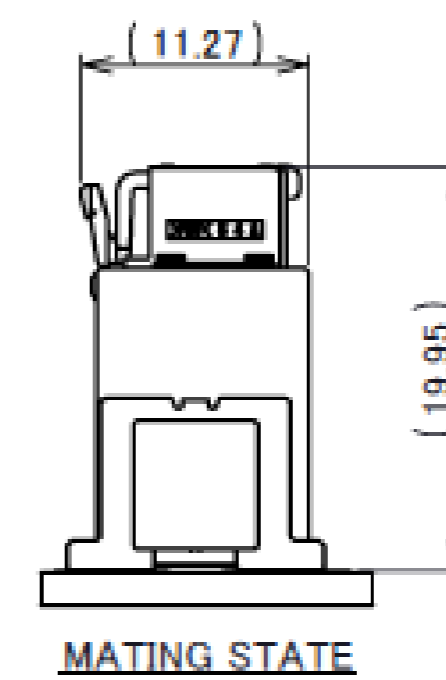
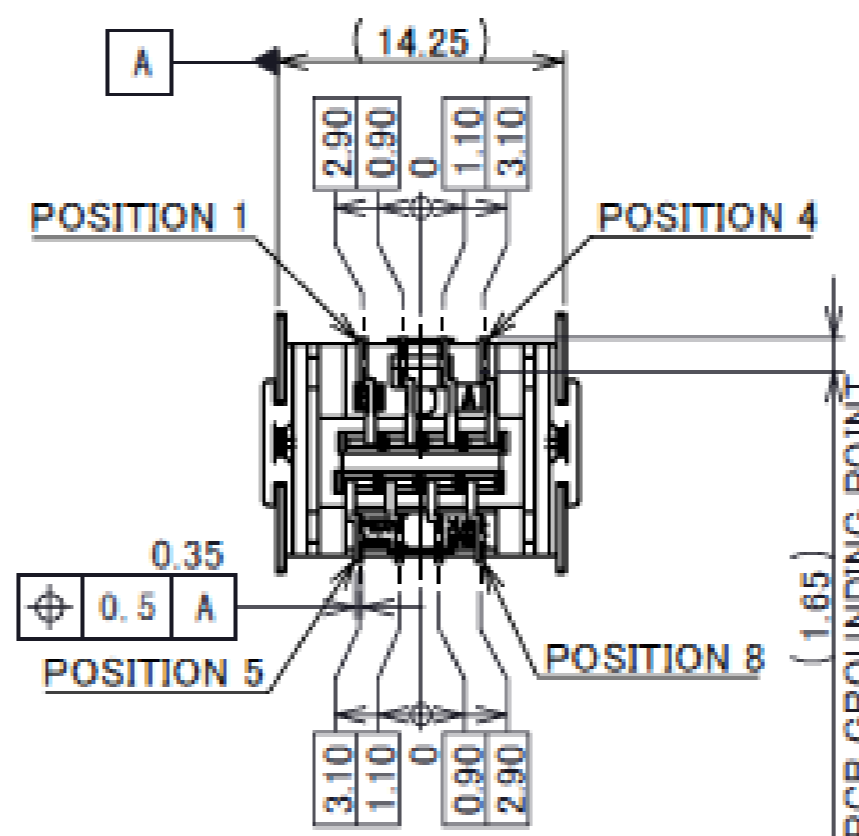
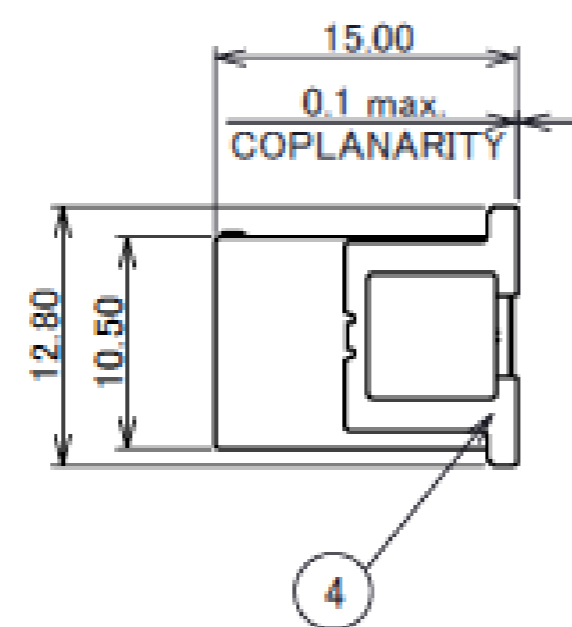
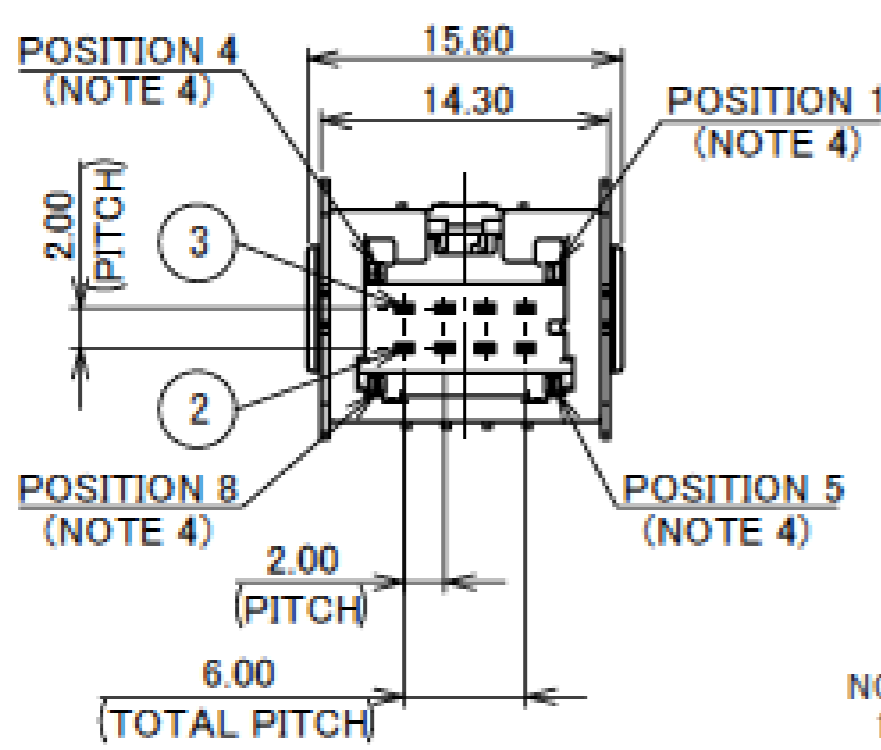
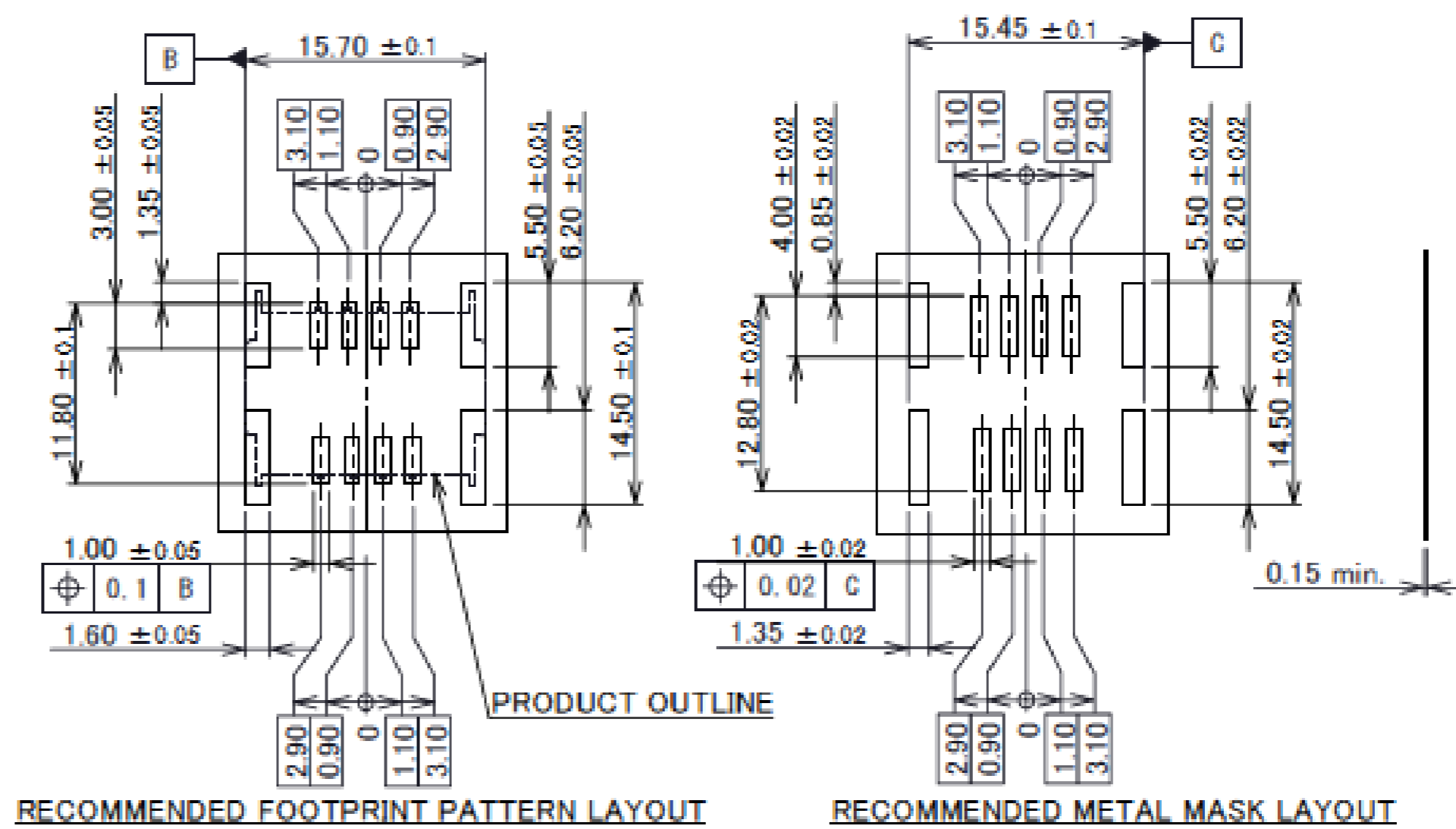
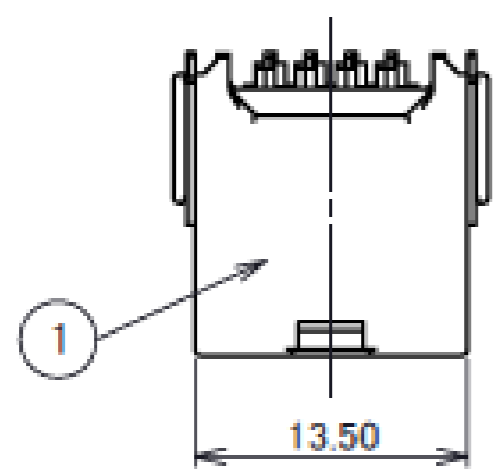
- 汽車大燈控制單元
- 逆變器和 DC/DC 轉換器
- 電池控制模組
- 後視鏡攝像模組
- 車載娛樂設施
- 機械設備
- 工廠自動化設備等

適用於高溫應用

Component Parts Details

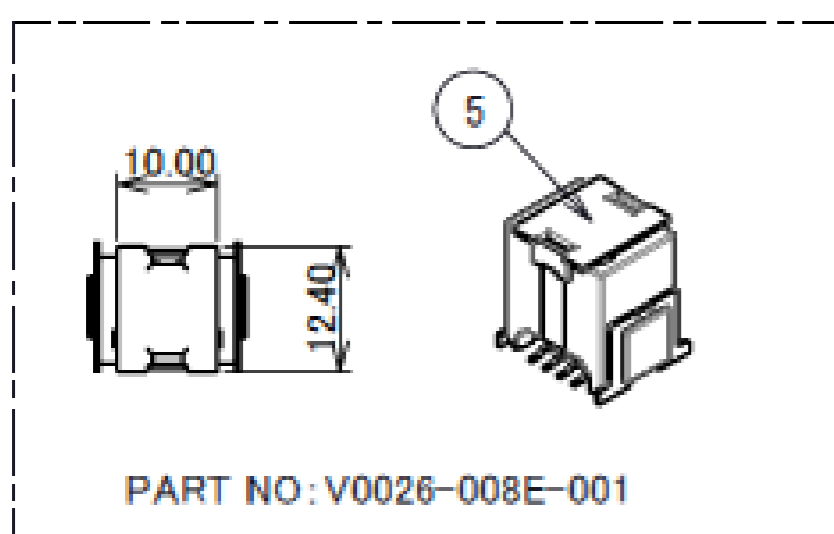
ISH® (Vertical Type) MALE (8P) ※ISHV:

| MALE CONNECTOR | |
|----------------------------|------------|
| PART NO. | VACUUM CAP |
| V0026-008E-001 | WITH |
| ◆V0026-008E-002 | WITHOUT |
| ◆MARK MEANS NOT AVAILABLE. | |



- NOTES
1. APPLICABLE PART NO.:
 - FEMALE HOUSING...V0027-91008-211
 - FEMALE RETAINER...V0116-92008-01
 - FEMALE TERMINAL...VT009-02
 2. COMPLY WITH ELV/RoHS
 3. USE METAL MASK WHICH HAS A THICKNESS OF 0.15mm MIN. WHEN THE MALE CONNECTOR IS MOUNTED ON THE PCB.
 4. POSITION NUMBERS ARE INDICATED.

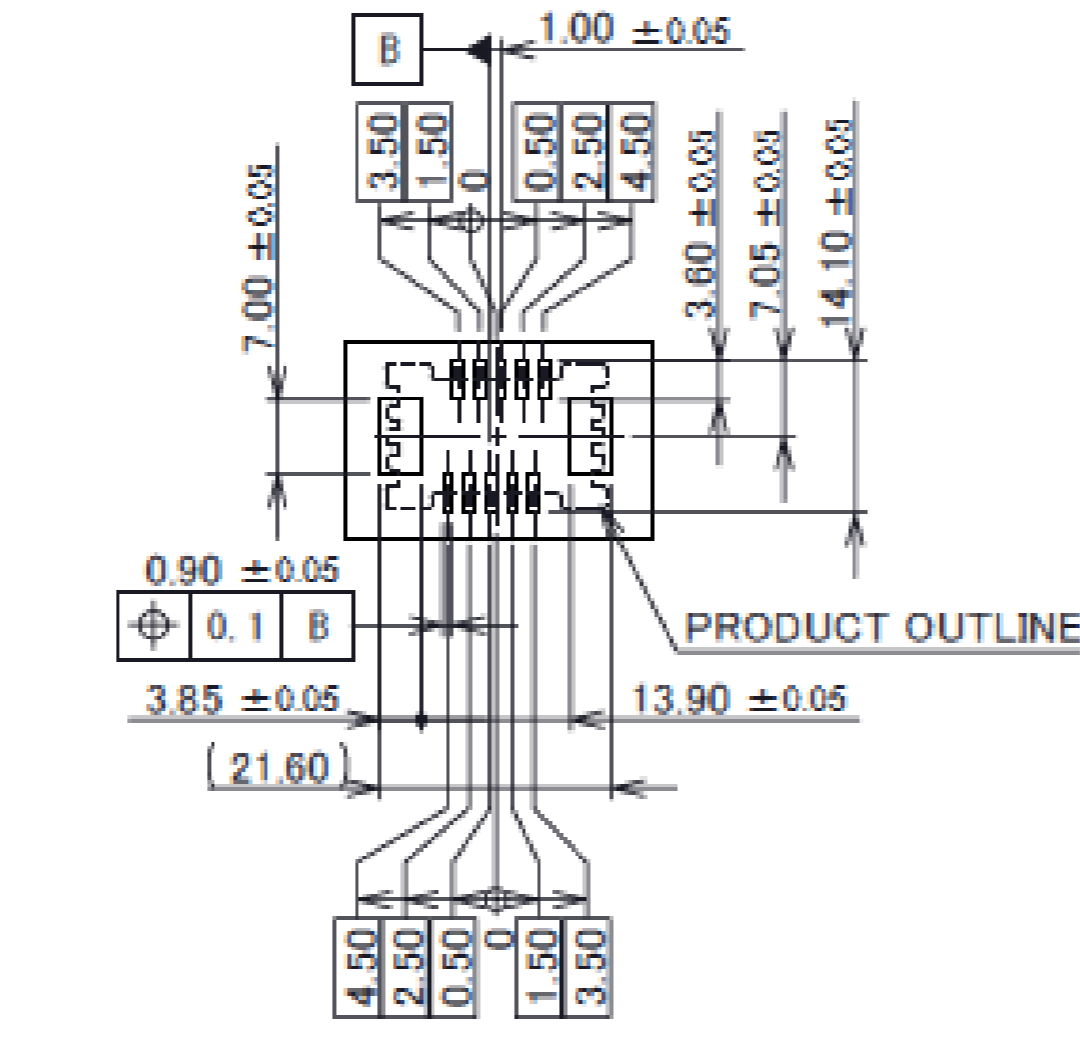
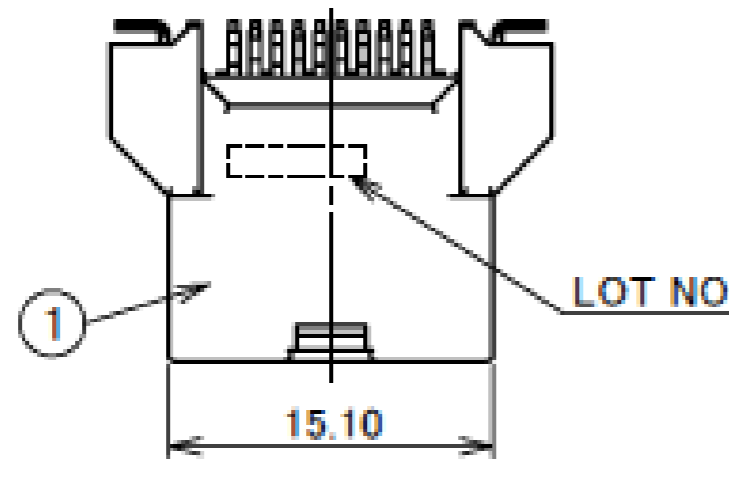
| NO. | DESCRIPTION | MATERIAL | FINISH/COLOR/REMARKS |
|-----|-----------------|------------------|-----------------------|
| 5 | VACUUM CAP | GLASS-FILLED LCP | NATURAL |
| 4 | HOLD DOWN | BRASS | S _n REFLOW |
| 3 | MALE TERMINAL-2 | BRASS | S _n REFLOW |
| 2 | MALE TERMINAL-1 | BRASS | S _n REFLOW |
| 1 | MALE HOUSING | GLASS-FILLED LCP | BLACK/UL94V-0 |



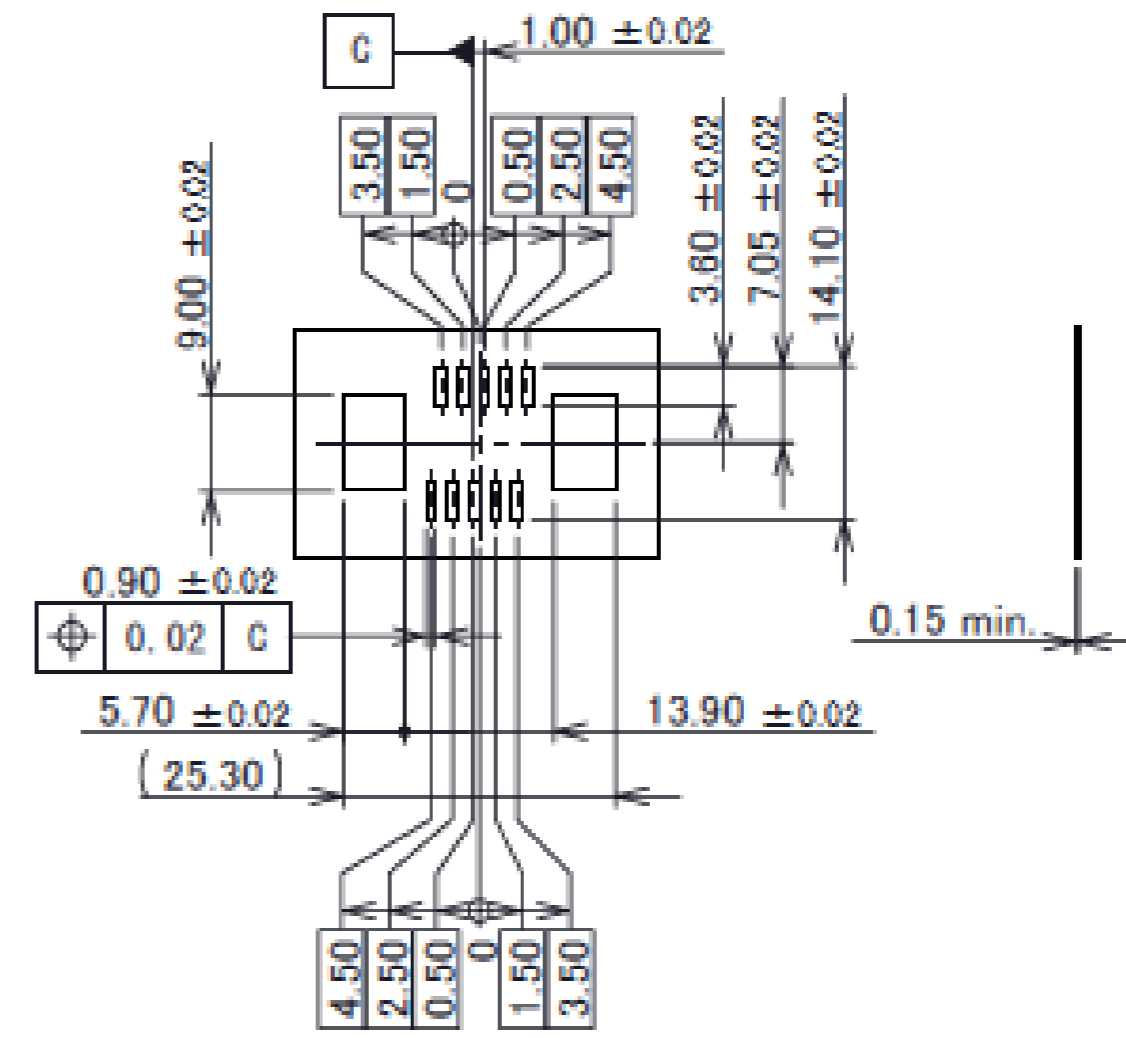
ISH® (Vertical Type) MALE (10P):

| PART NO. | VACUUM CAP |
|-----------------|------------|
| V0019-010E-001 | WITH |
| ◆V0019-010E-002 | WITHOUT |

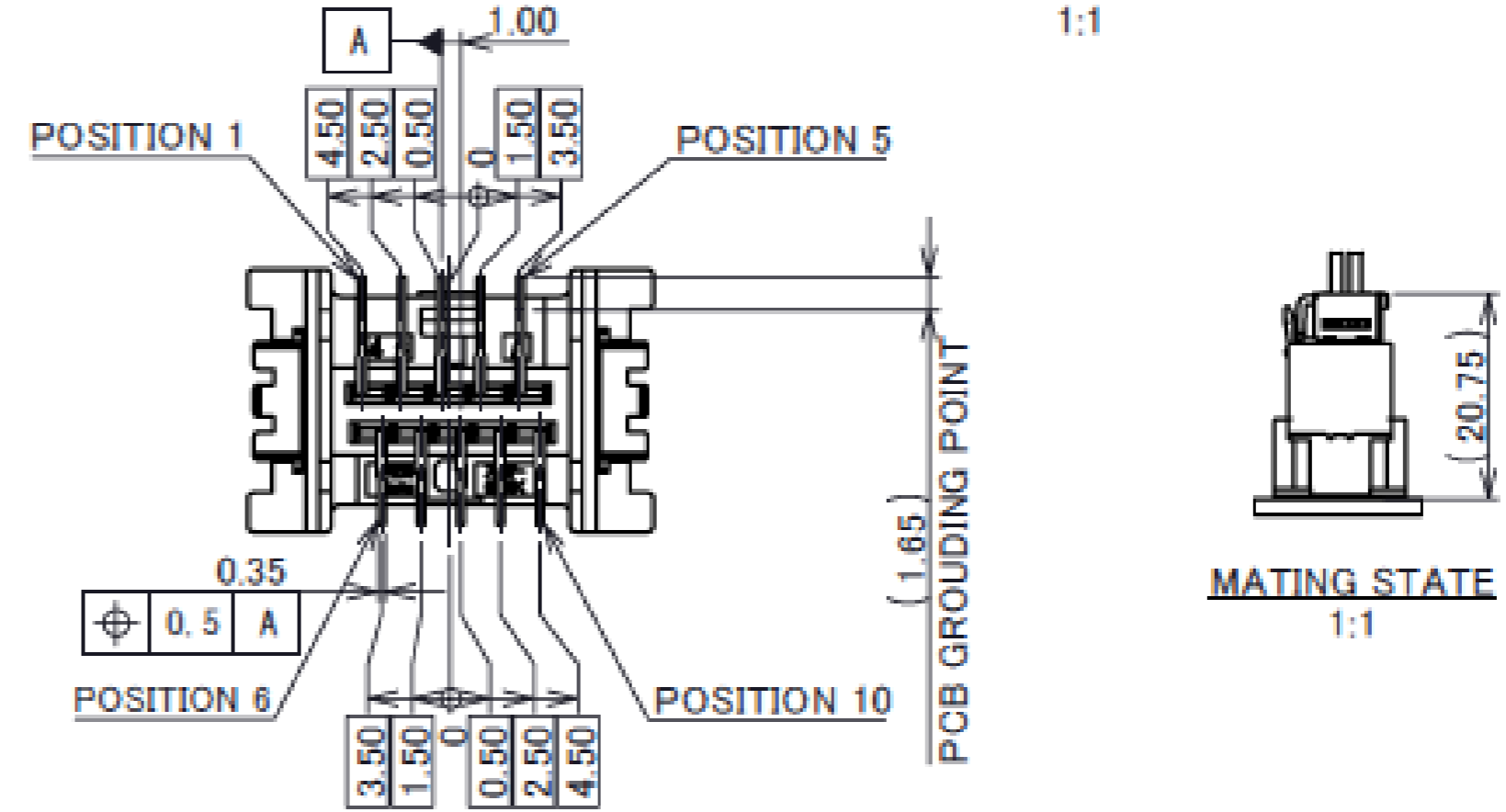
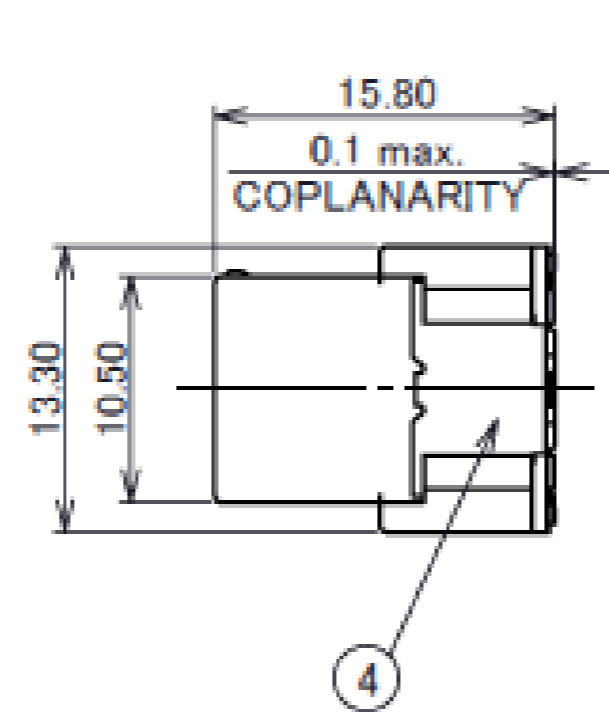
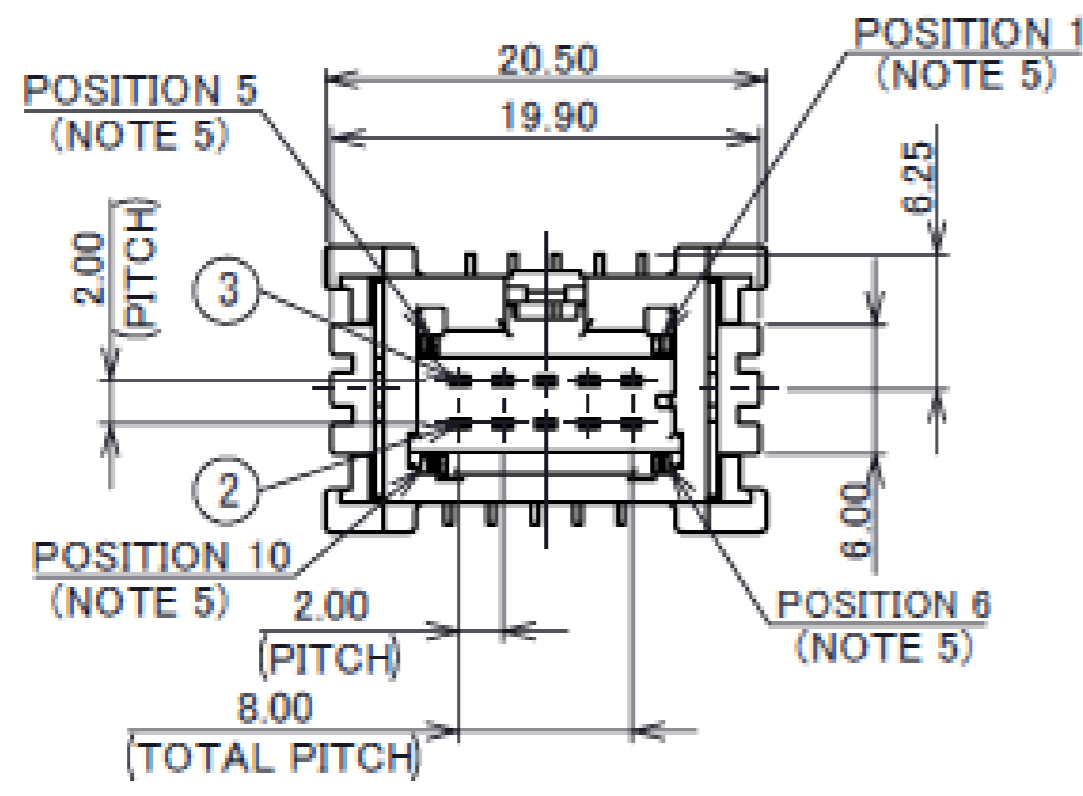
◆MARK MEANS NOT AVAILABLE



RECOMMENDED FOOTPRINT PATTERN LAYOUT 1:1



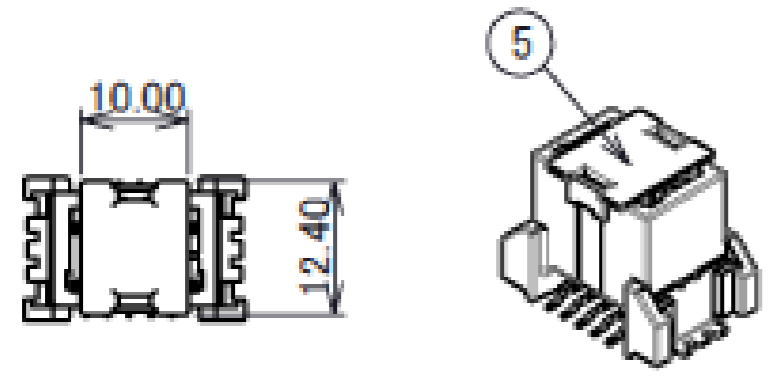
RECOMMENDED METAL MASK LAYOUT 1:1



NOTES

- APPLICABLE PART NO.:
 - FEMALE HOUSING...V0020-91010-211
 - FEMALE RETAINER...V0020-92010-211
 - FEMALE TERMINAL...VT009-02
- COMPLY WITH ELV/RoHS
- HANDLE OF PRODUCT IN COMPLIANCE WITH HANDLING MANUAL(HDM-0020)
- USE METAL MASK WHICH HAS A THICKNESS OF 0.15mm MIN. WHEN THE MALE CONNECTOR IS MOUNTED ON THE PCB.
- POSITION NUMBERS ARE INDICATED.

| NO. | DESCRIPTION | MATERIAL | FINISH/COLOR/REMARKS |
|-----|-----------------|------------------|----------------------|
| 5 | VAGUUM CAP | GLASS-FILLED LCP | NATURAL |
| 4 | HOLD DOWN | BRASS | Sn REFLOW |
| 3 | MALE TERMINAL-2 | BRASS | Sn REFLOW |
| 2 | MALE TERMINAL-1 | BRASS | Sn REFLOW |
| 1 | MALE HOUSING | GLASS-FILLED LCP | BLACK / UL94V-0 |

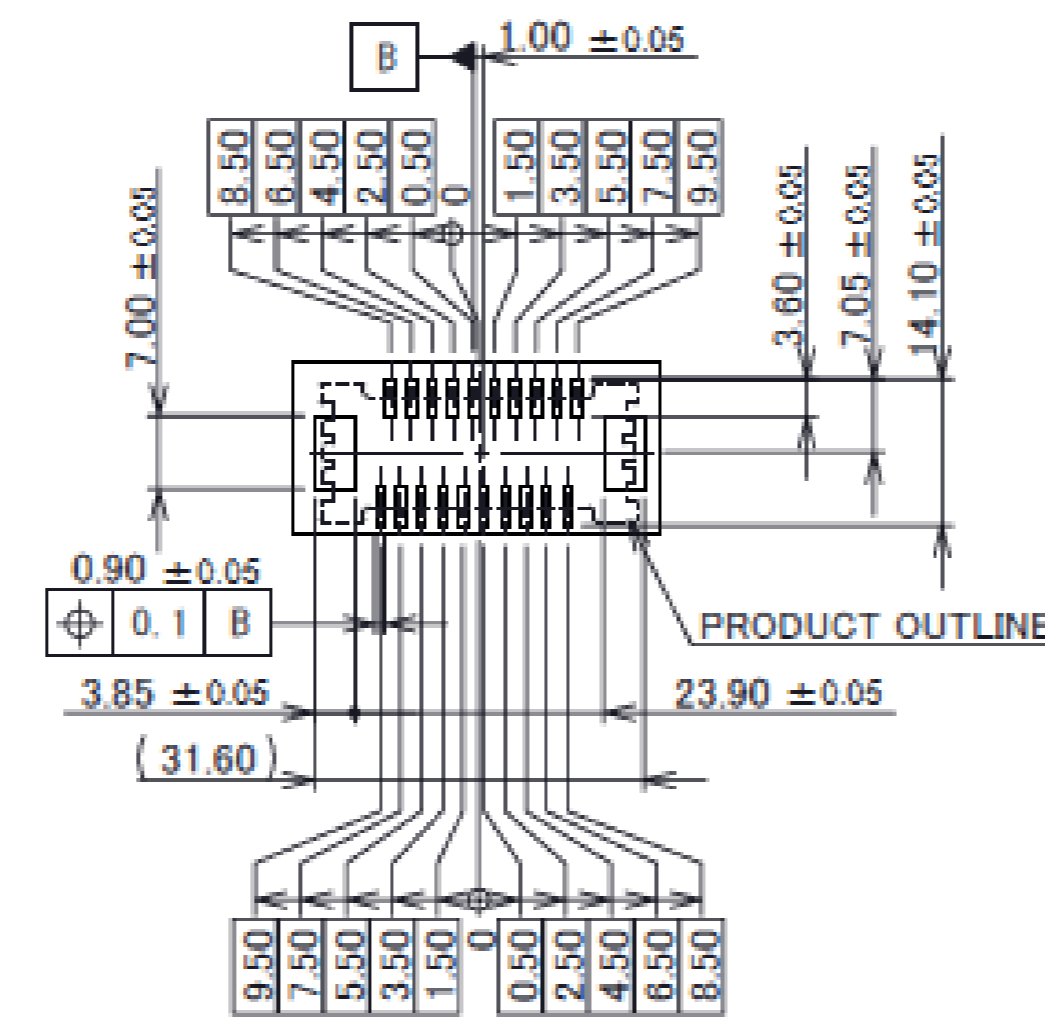
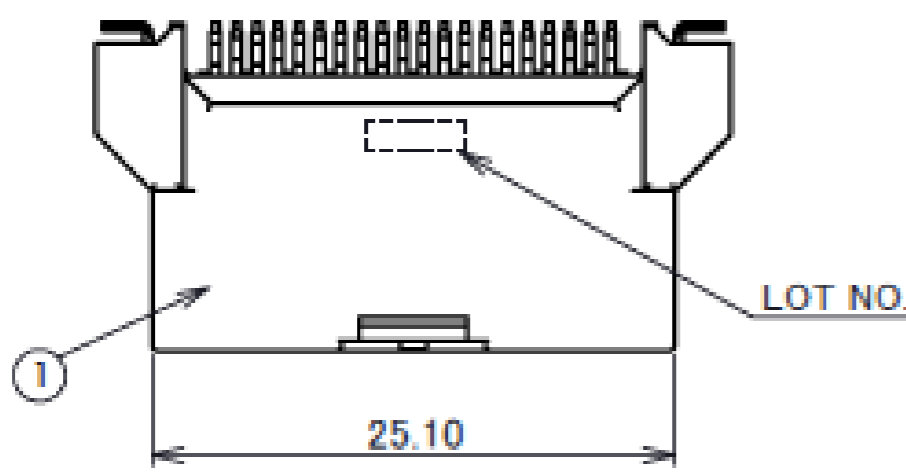


PART NO: V0019-010E-001

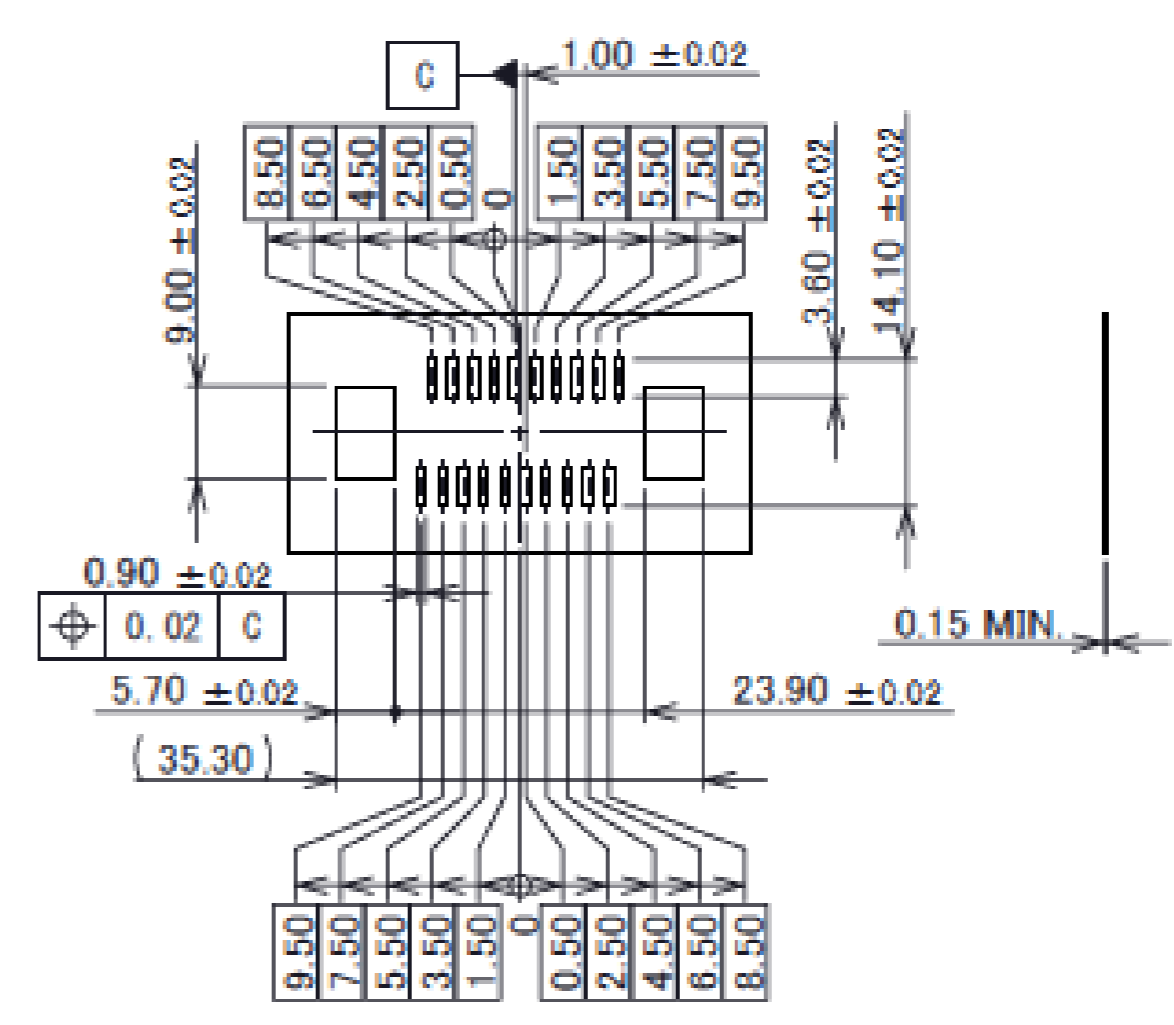
Rev.0

ISH® (Vertical Type) MALE (20P):

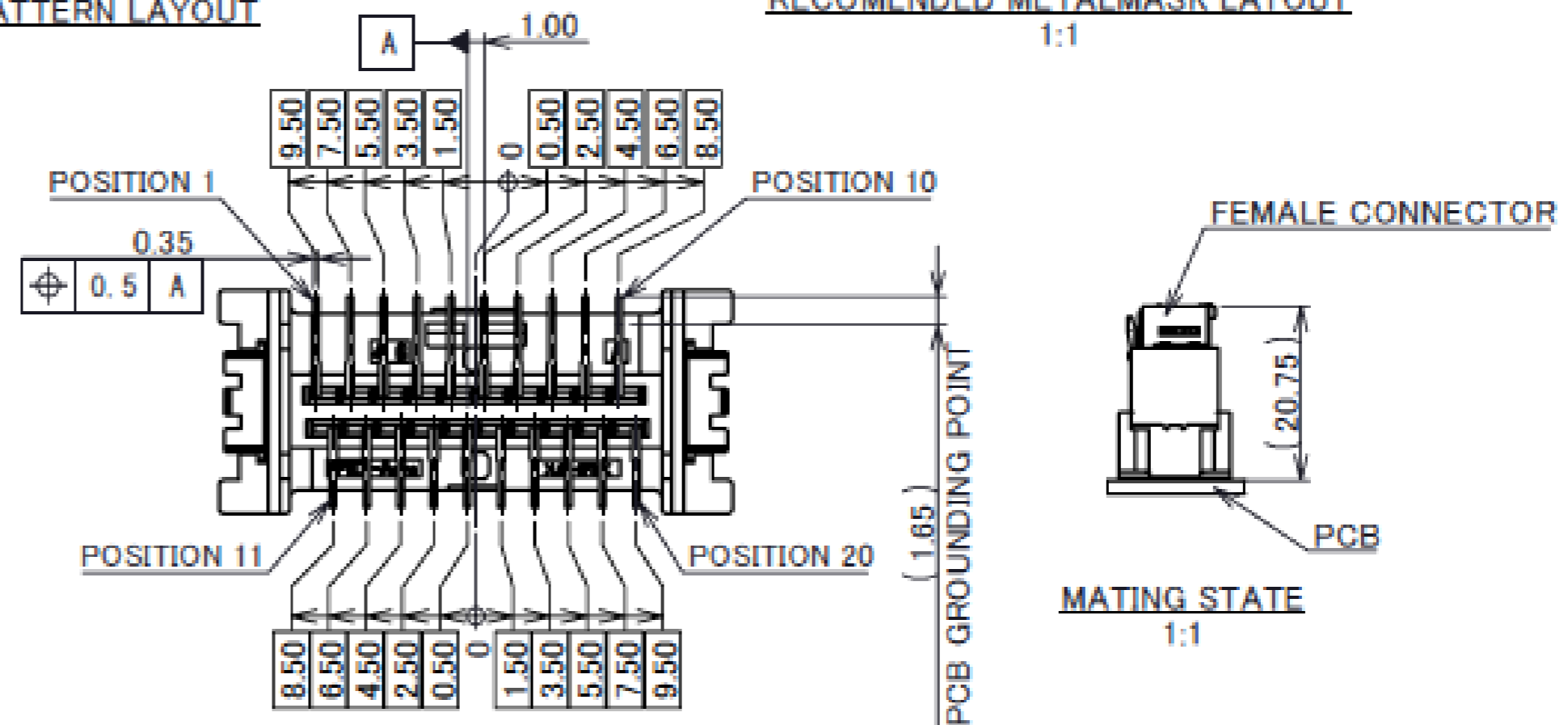
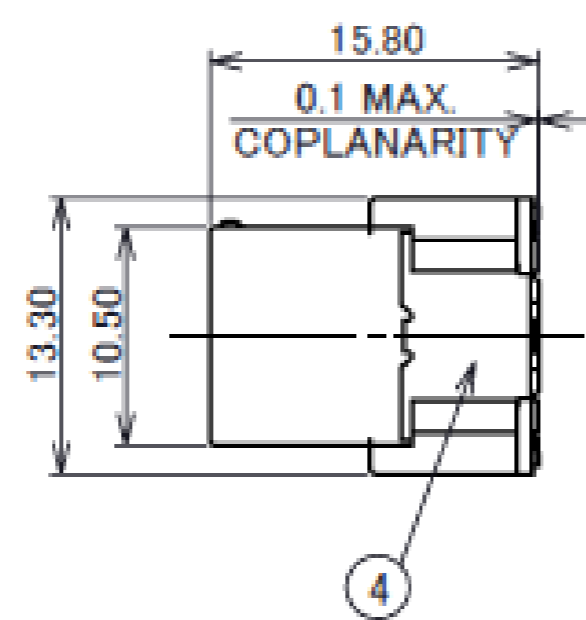
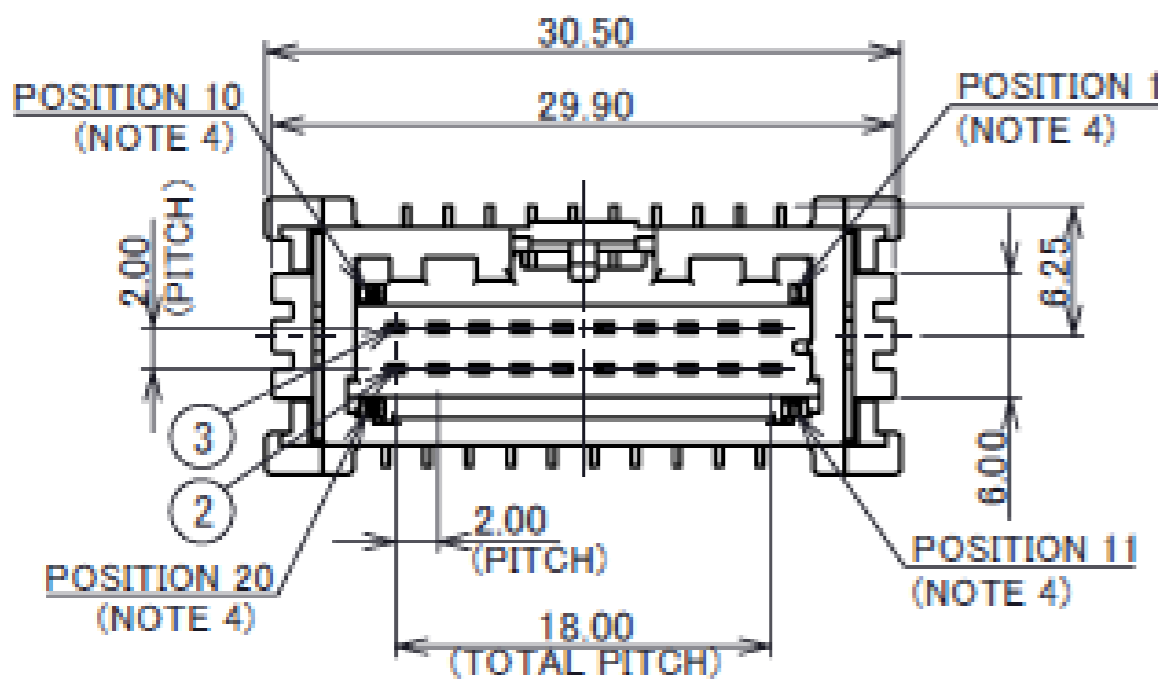
| PART NO. |
|----------------|
| V0019-020E-001 |
| V0019-020E-002 |



RECOMMENDED FOOTPRINT PATTERN LAYOUT 1:1



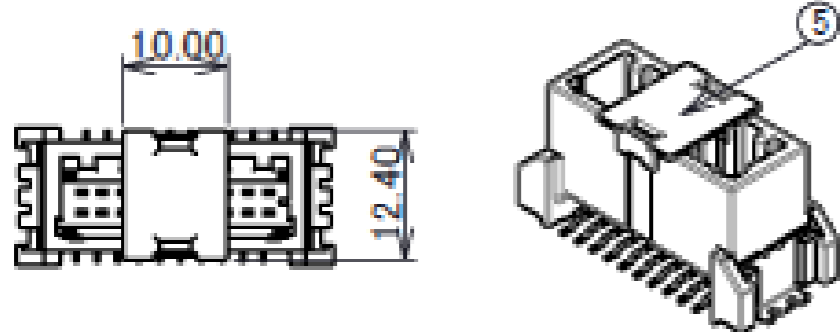
RECOMMENDED METAL MASK LAYOUT 1:1



NOTES

- APPLICABLE PART NO.:
 - FEMALE HOUSING...V0020-91020-211
 - FEMALE RETAINER...V0020-92020-211
 - FEMALE TERMINAL...VT009-02
- COMPLY WITH ELV/RoHS
- USE METAL MASK WHICH HAS A THICKNESS OF 0.15mm MIN. WHEN THE MALE CONNECTOR IS MOUNTED ON THE PCB.
- POSITION NUMBERS ARE INDICATED.

| NO. | DESCRIPTION | MATERIAL | FINISH/COLOR/REMARKS |
|-----|-----------------|------------------|----------------------|
| 5 | VACUUM CAP | GLASS-FILLED LCP | NATURAL |
| 4 | HOLD DOWN | BRASS | Sn REFLOW |
| 3 | MALE TERMINAL-2 | BRASS | Sn REFLOW |
| 2 | MALE TERMINAL-1 | BRASS | Sn REFLOW |
| 1 | MALE HOUSING | GLASS-FILLED LCP | BLACK/UL94V-0 |



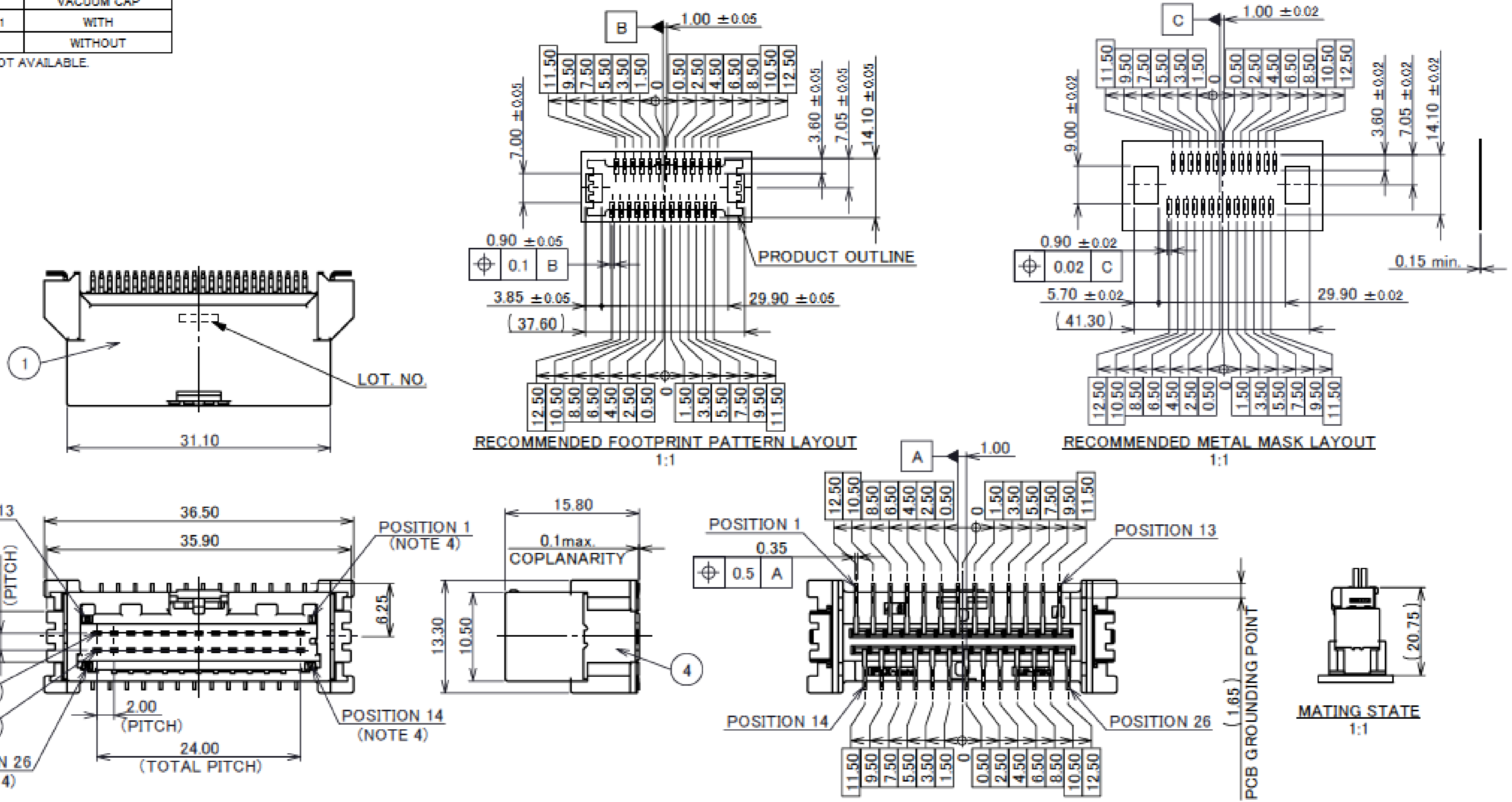
PART NO: V0019-020E-001

Rev.0

ISH® (Vertical Type) MALE (26P):

| PART NO. | VACUUM CAP |
|-----------------|------------|
| ◆V0019-026E-001 | WITH |
| V0019-026E-002 | WITHOUT |

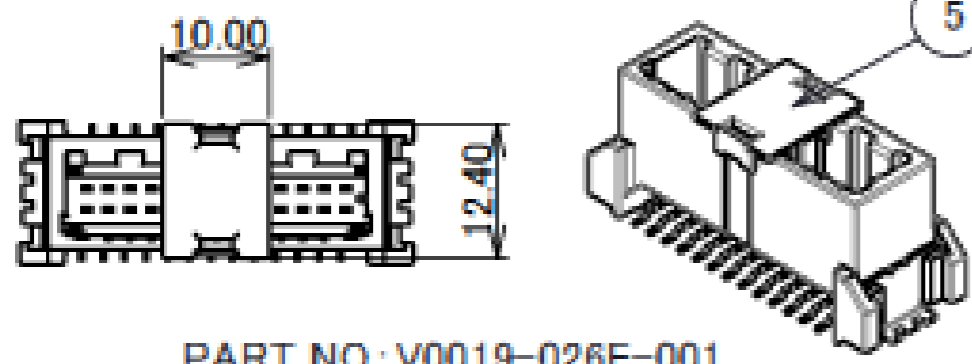
◆MARK MEANS NOT AVAILABLE.



NOTES

1. APPLICABLE PART NO.:
 - FEMALE HOUSING --- V0020-91026-211
 - FEMALE RETAINER --- V0020-92026-211
 - FEMALE TERMINAL --- VT009-02
2. COMPLY WITH ELV/RoHS
3. USE METAL MASK WHICH HAS A THICKNESS OF 0.15mm MIN. WHEN THE MALE CONNECTOR IS MOUNTED ON THE PCB.
4. POSITION NUMBERS ARE INDICATED.

| NO. | DESCRIPTION | MATERIAL | FINISH/COLOR/REMARKS |
|-----|------------------|------------------|----------------------|
| 5 | VACUUM CAP | GLASS-FILLED LCP | NATURAL |
| 4 | HOLD DOWN | BRASS | Sn REFLOW |
| 3 | MALE TERMINAL-2 | BRASS | Sn REFLOW |
| 2 | MALE TERMINAL -1 | BRASS | Sn REFLOW |
| 1 | MALE HOUSING | GLASS-FILLED LCP | BLACK |

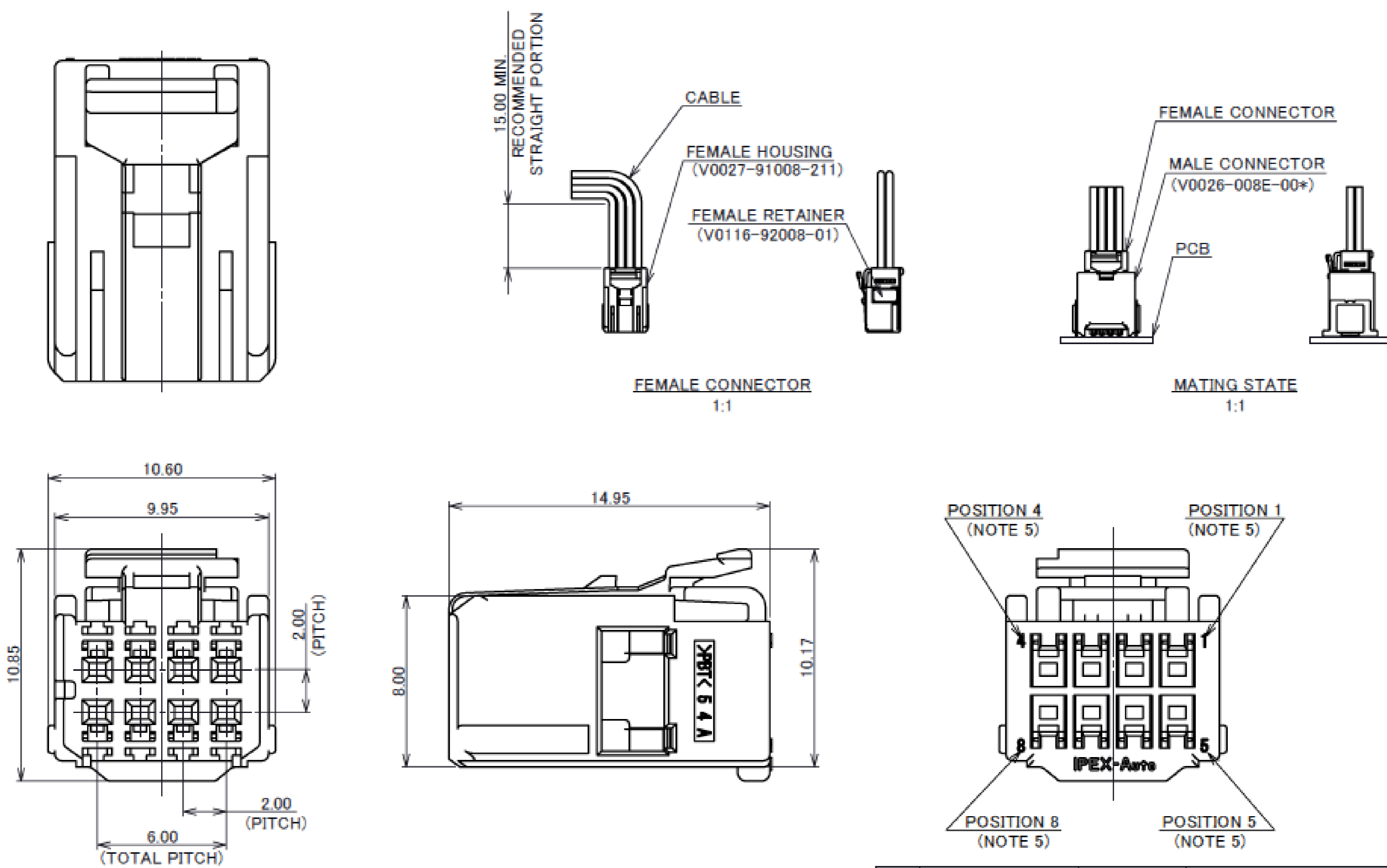


PART NO: V0019-026E-001

Rev.0

ISH® (Vertical Type) FEMALE (8P) ※ISHV :

| PART NO. | LOCK TYPE | KEY CODING | COLOR | FOR REAR COVER |
|-----------------|-------------|------------|-------|----------------|
| V0027-91008-211 | NORMAL ROCK | - | BLACK | N/A |



| NO. | DESCRIPTION | MATERIAL | FINISH/COLOR/REMARKS |
|-----|----------------|----------|----------------------|
| 1 | FEMALE HOUSING | PBT | BLACK |

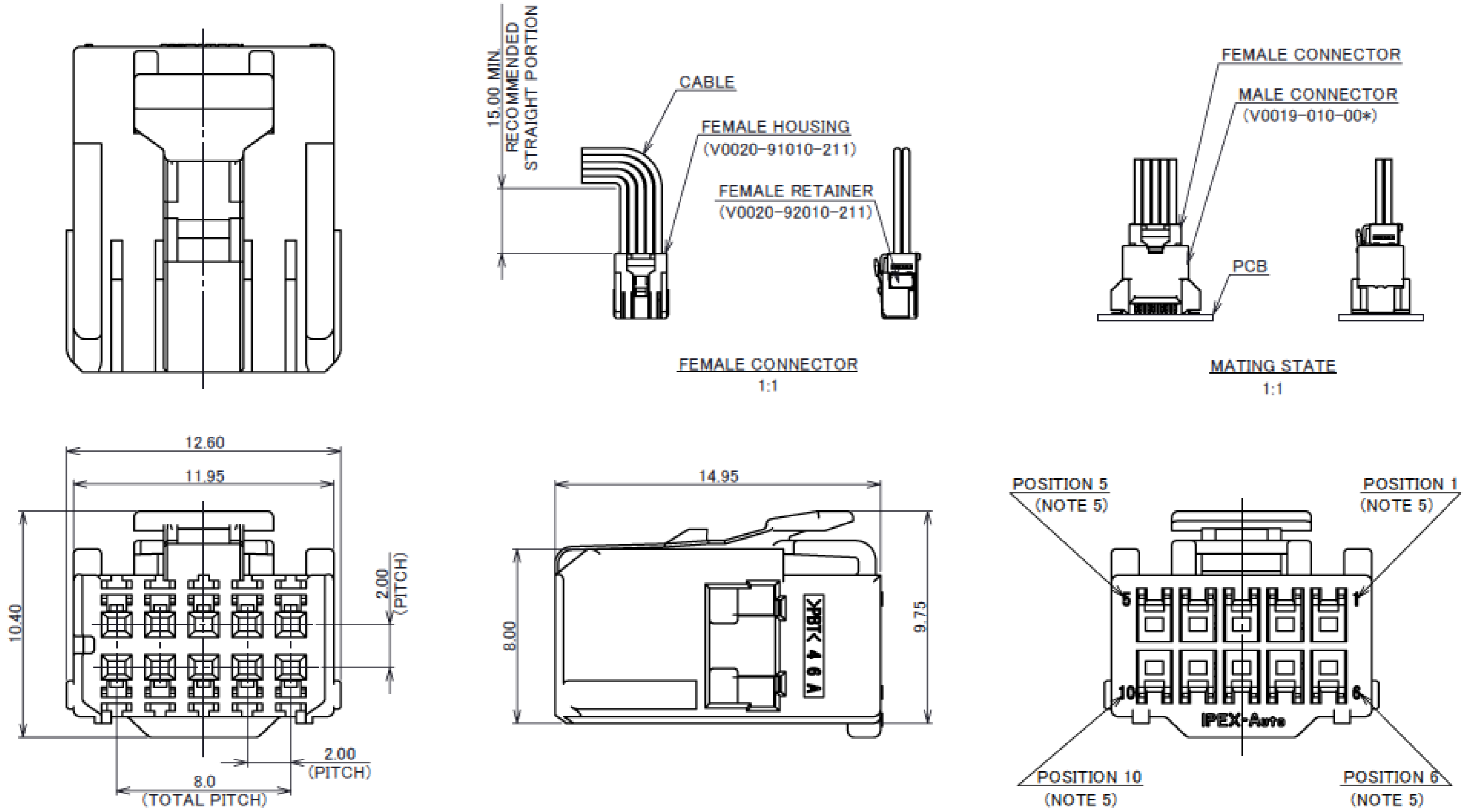
NOTES

1. APPLICABLE PART NO.:
 - FEMALE TERMINAL --- VT009-02
 - FEMALE RETAINER --- V0116-92008-01
2. MATERIAL: PBT
3. COMPLY WITH ELV/RoHS
4. HANDLE OF PRODUCT IN COMPLIANCE WITH HANDLING MANUAL [HDM-0020]
5. POSITION NUMBERS ARE INDICATED.

Rev.0

ISH® (Vertical Type) FEMALE (10P):

| PART NO. | LOCK TYPE | KEY CODING | COLOR | FOR REAR COVER |
|-----------------|-------------|------------|-------|----------------|
| V0020-91010-211 | NORMAL LOCK | - | BLACK | N/A |



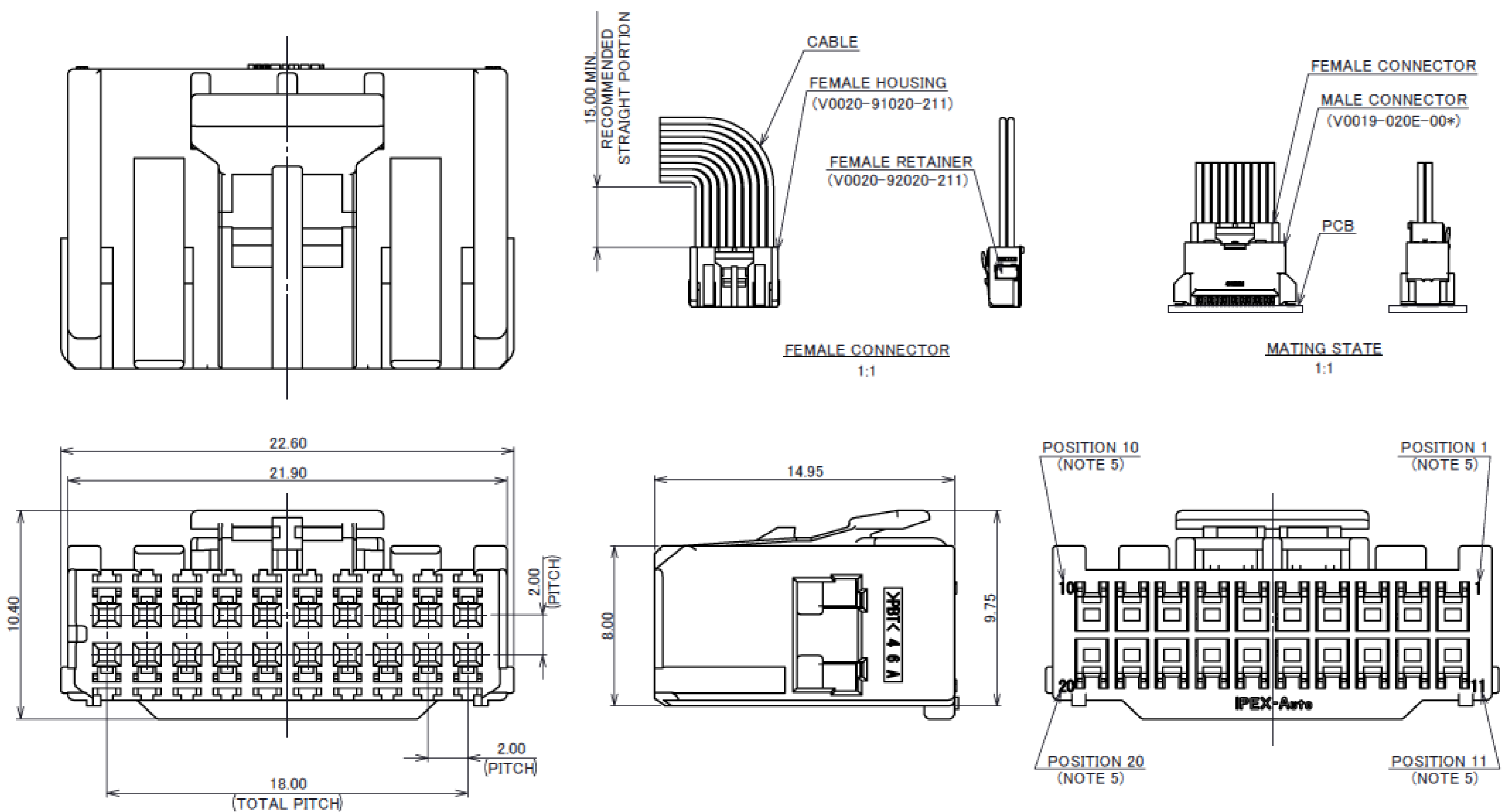
| ① NO. | DESCRIPTION | MATERIAL | FINISH/COLOR/REMARKS |
|-------|----------------|----------|----------------------|
| 1 | FEMALE HOUSING | PBT | BLACK |

- NOTES
- APPLICABLE PART NO.:
 - FEMALE TERMINAL --- VT009-02
 - FEMALE RETAINER --- V0020-92010-211
 - MATERIAL: PBT
 - COMPLY WITH ELV/REHS.
 - HANDLE OF PRODUCT IN COMPLIANCE WITH HANDLING MANUAL [HDM-0020]
 - POSITION NUMBERS ARE INDICATED.

Rev.0

ISH® (Vertical Type) FEMALE (20P):

| PART NO. |
|-----------------|
| V0020-91020-211 |



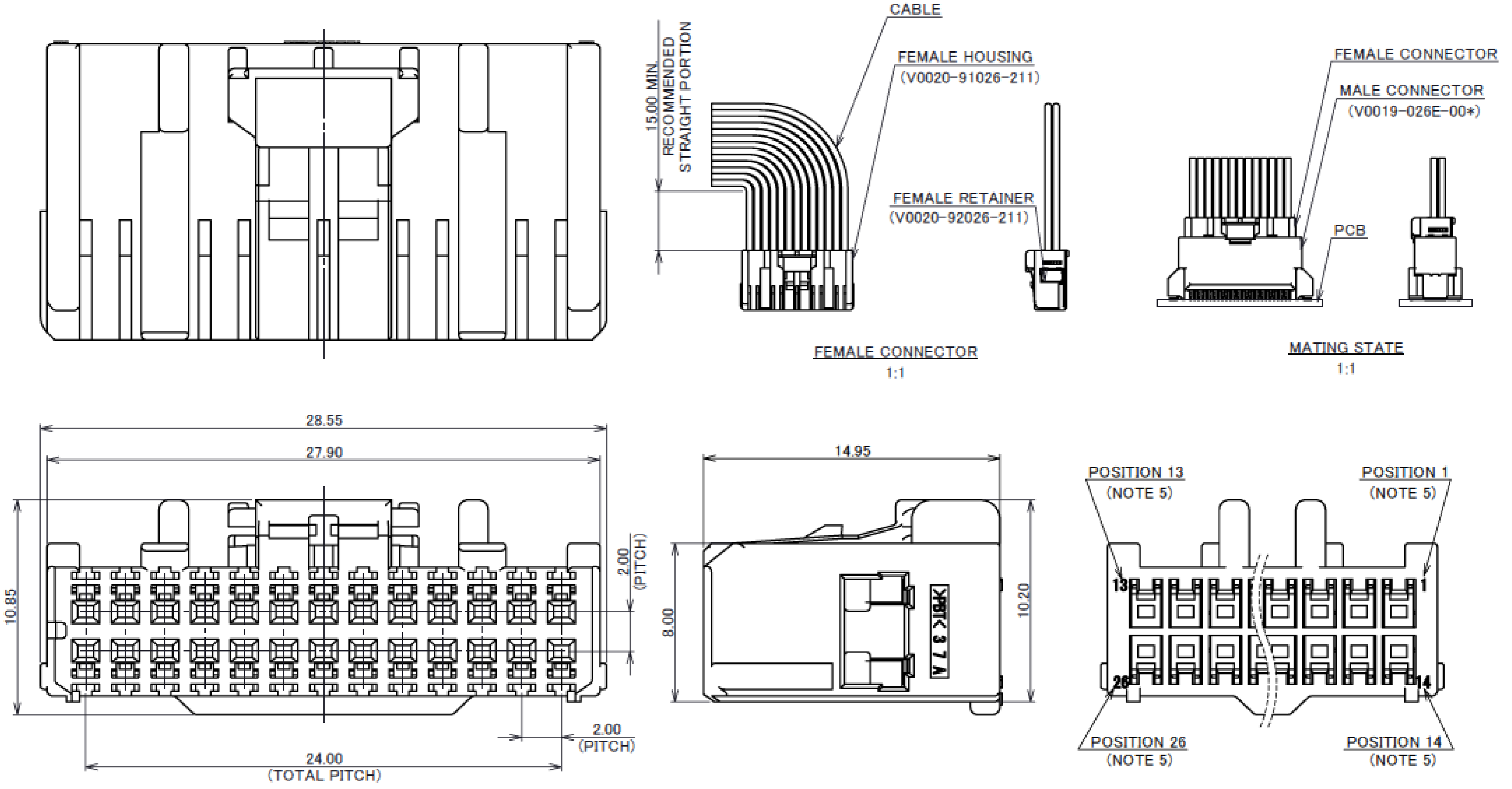
| 1 NO. | DESCRIPTION | MATERIAL | FINISH/COLOR/REMARKS |
|-------|----------------|----------|----------------------|
| 1 | FEMALE HOUSING | PBT | BLACK |

- NOTES
- APPLICABLE PART NO.:
 - FEMALE TERMINAL --- VT009-02
 - FEMALE RETAINER --- V0020-92020-211
 - MATERIAL: PBT
 - COMPLY WITH ELV/REHS.
 - HANDLE OF PRODUCT IN COMPLIANCE WITH HANDLING MANUAL [HDM-0020]
 - POSITION NUMBERS ARE INDICATED.

Rev.0

ISH® (Vertical Type) FEMALE (26P):

| |
|-----------------|
| PART NO. |
| V0020-91026-211 |



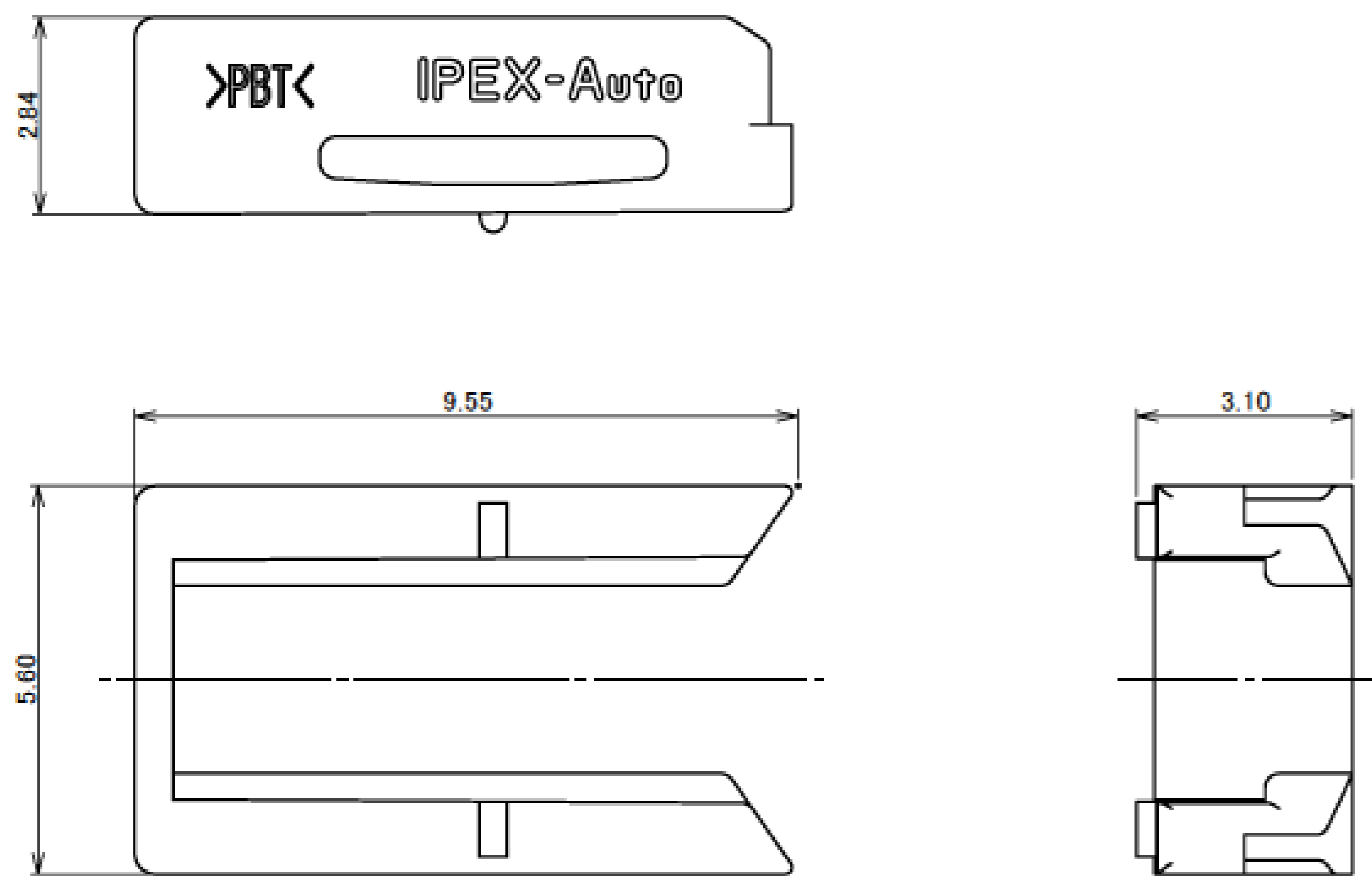
| | | | |
|-----|----------------|----------|----------------------|
| 1 | FEMALE HOUSING | PBT | BLACK |
| NO. | DESCRIPTION | MATERIAL | FINISH/COLOR/REMARKS |

- NOTES
1. APPLICABLE PART NO.:
 - FEMALE TERMINAL --- VT009-02
 - FEMALE RETAINER --- V0020-92026-211
 2. MATERIAL: PBT
 3. COMPLY WITH ELV/RoHS.
 4. HANDLE OF PRODUCT IN COMPLIANCE WITH HANDLING MANUAL [HDM-0020]
 5. POSITION NUMBERS ARE INDICATED.

Rev.0

ISH® (Vertical Type) FEMALE RETAINER (8P) ※ISHV :

| |
|----------------|
| PART NO. |
| V0116-92008-01 |



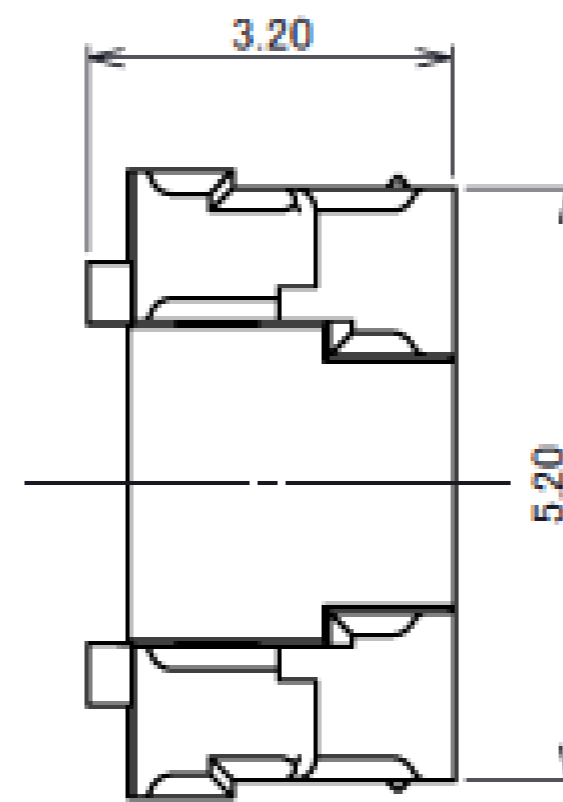
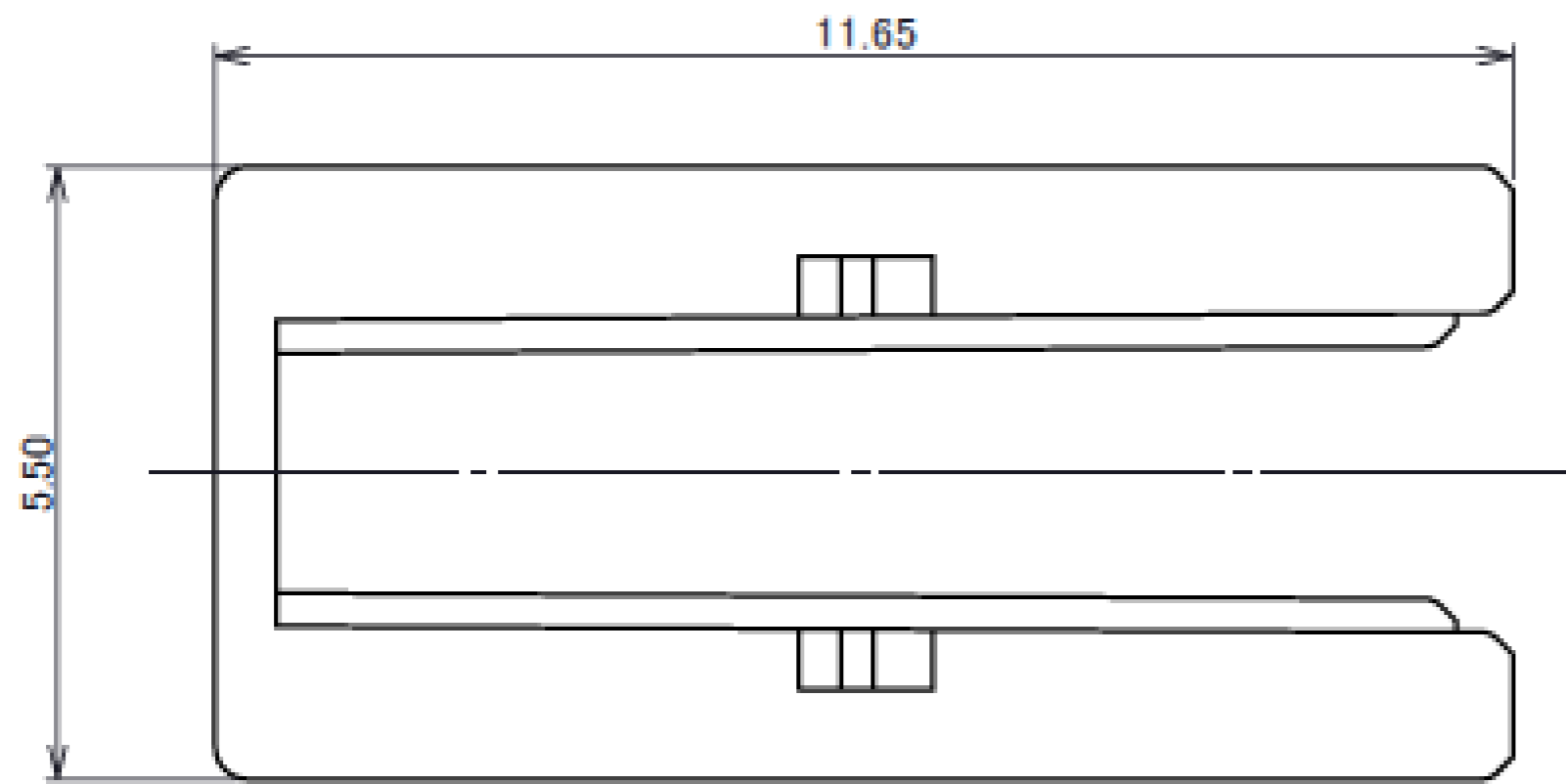
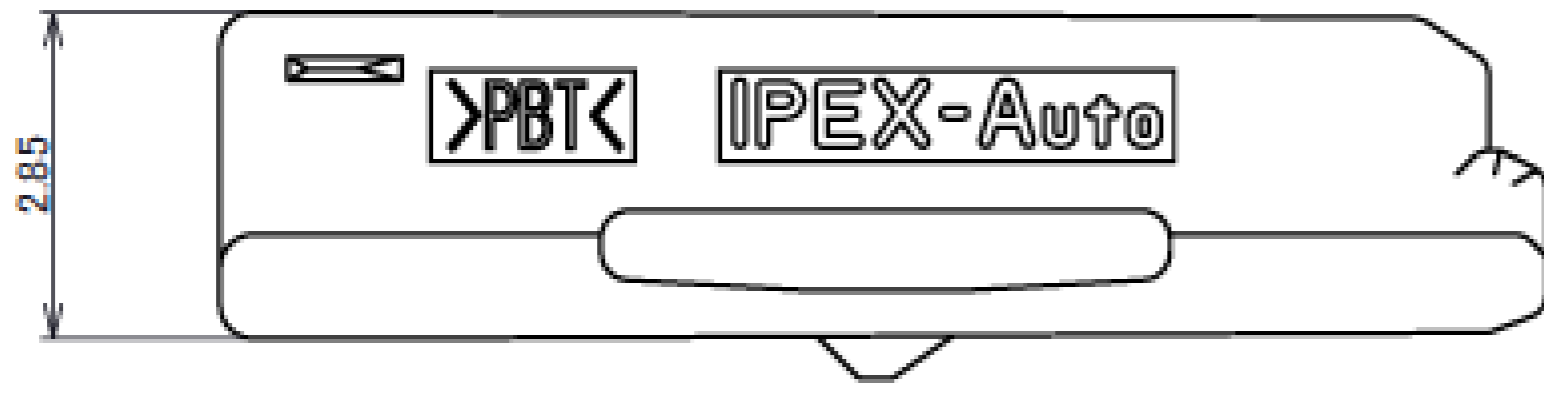
- NOTES
1. APPLICABLE PART NO.:
 - FEMALE HOUSING --- V0116-91008-**
 V0027-91008-211
 2. MATERIAL: PBT
 3. COMPLY WITH ELV/RoHS.
 4. HANDLE OF PRODUCT IN COMPLIANCE WITH HANDLING MANUAL [HDM-0020]

| | | | |
|-----|-----------------|----------|----------------------|
| 1 | FEMALE RETAINER | PBT | BLACK |
| NO. | DESCRIPTION | MATERIAL | FINISH/COLOR/REMARKS |

Rev.0

ISH® (Vertical Type) FEMALE RETAINER (10P):

| |
|-----------------|
| PART NO. |
| V0020-92010-211 |



NOTES

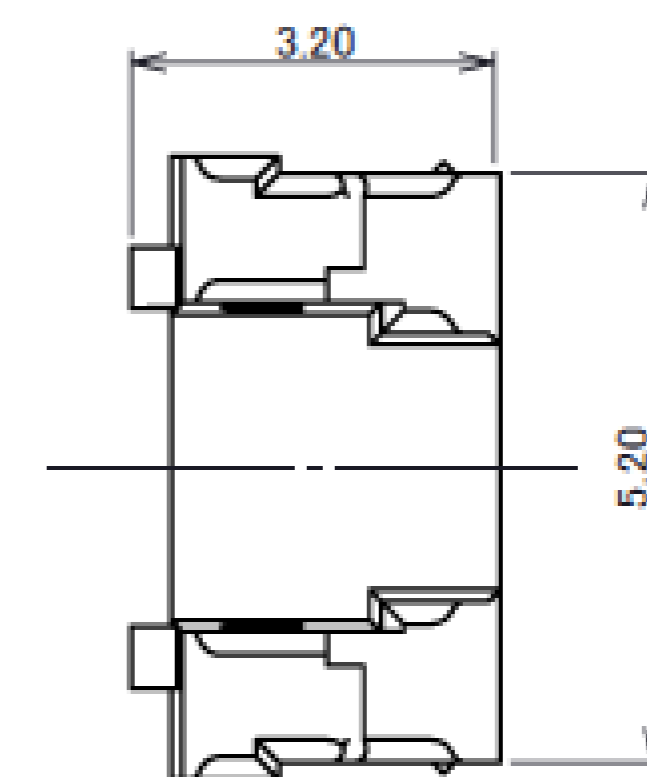
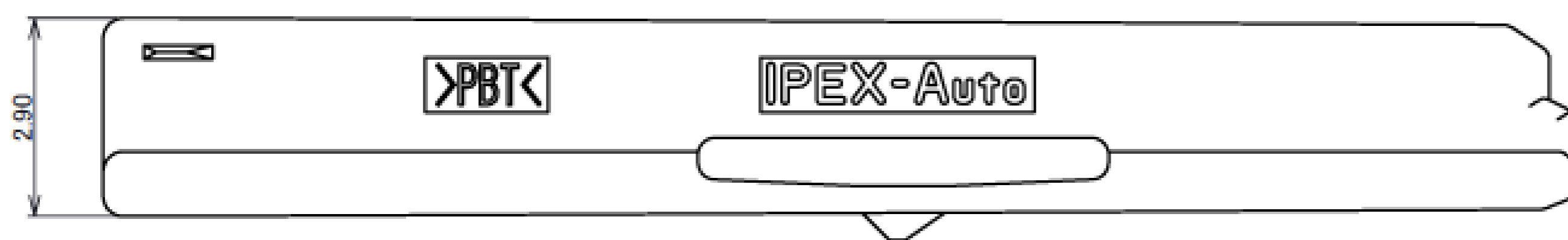
1. APPLICABLE PART NO.:
- FEMALE HOUSING - V0020-91010-211
2. MATERIAL: PBT
3. COMPLY WITH ELV/RoHS.
4. HANDLE OF PRODUCT IN COMPLIANCE WITH HANDLING MANUAL [HDM-0020]

| | | | |
|-----|-----------------|----------|----------------------|
| 1 | FEMALE RETAINER | PBT | BLACK |
| NO. | DESCRIPTION | MATERIAL | FINISH/COLOR/REMARKS |

Rev.0

ISH® (Vertical Type) FEMALE RETAINER (20P):

| |
|-----------------|
| PART NO. |
| V0020-92020-211 |



NOTES

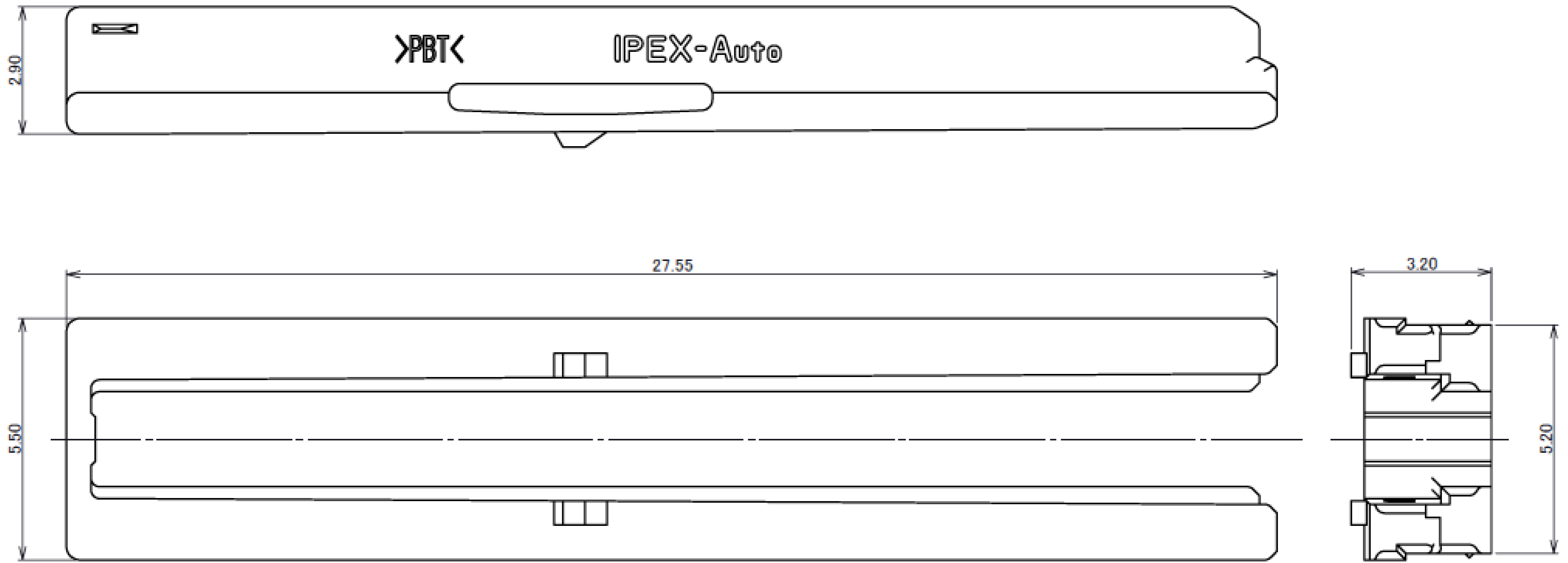
1. APPLICABLE PART NO.:
- FEMALE HOUSING - V0020-91020-211
2. MATERIAL: PBT
3. COMPLY WITH ELV/RoHS.
4. HANDLE OF PRODUCT IN COMPLIANCE WITH HANDLING MANUAL [HDM-0020]

| | | | |
|-----|-----------------|----------|----------------------|
| 1 | FEMALE RETAINER | PBT | BLACK |
| NO. | DESCRIPTION | MATERIAL | FINISH/COLOR/REMARKS |

Rev.0

ISH® (Vertical Type) FEMALE RETAINER (26P):

| |
|-----------------|
| PART NO. |
| V0020-92026-211 |



NOTES

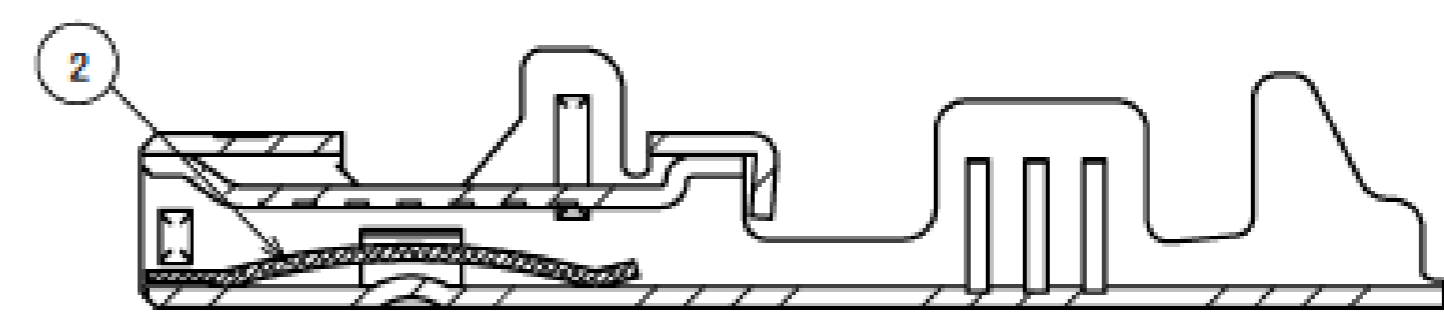
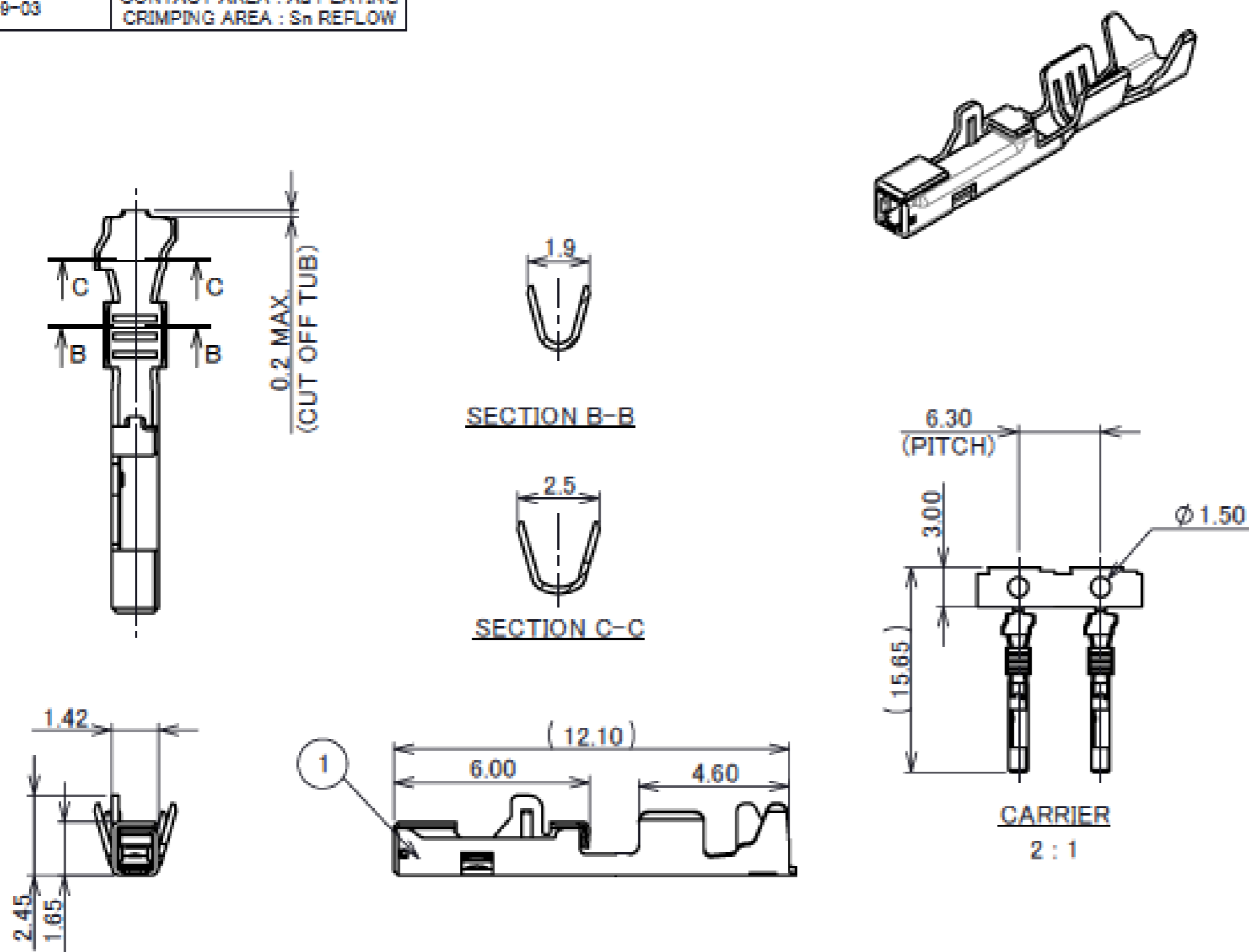
1. APPLICABLE PART NO.:
- FEMALE HOUSING - V0020-91026-211
2. MATERIAL: PBT
3. COMPLY WITH ELV/RoHS
4. HANDLE OF PRODUCT IN COMPLIANCE WITH HANDLING MANUAL [HDM-0020]

| NO. | DESCRIPTION | MATERIAL | FINISH/COLOR/REMARKS |
|-----|-----------------|----------|----------------------|
| 1 | FEMALE RETAINER | PBT | BLACK |

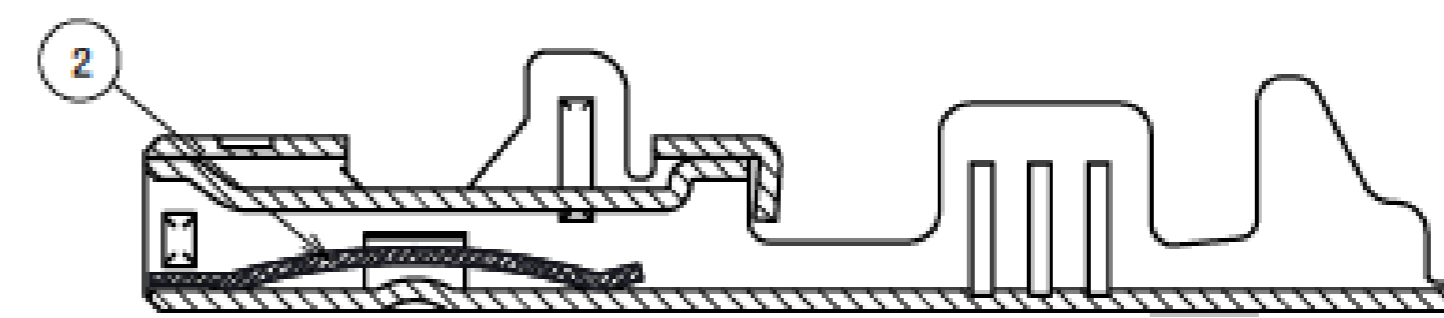
Rev.0

ISH® (Vertical Type) TERMINAL:

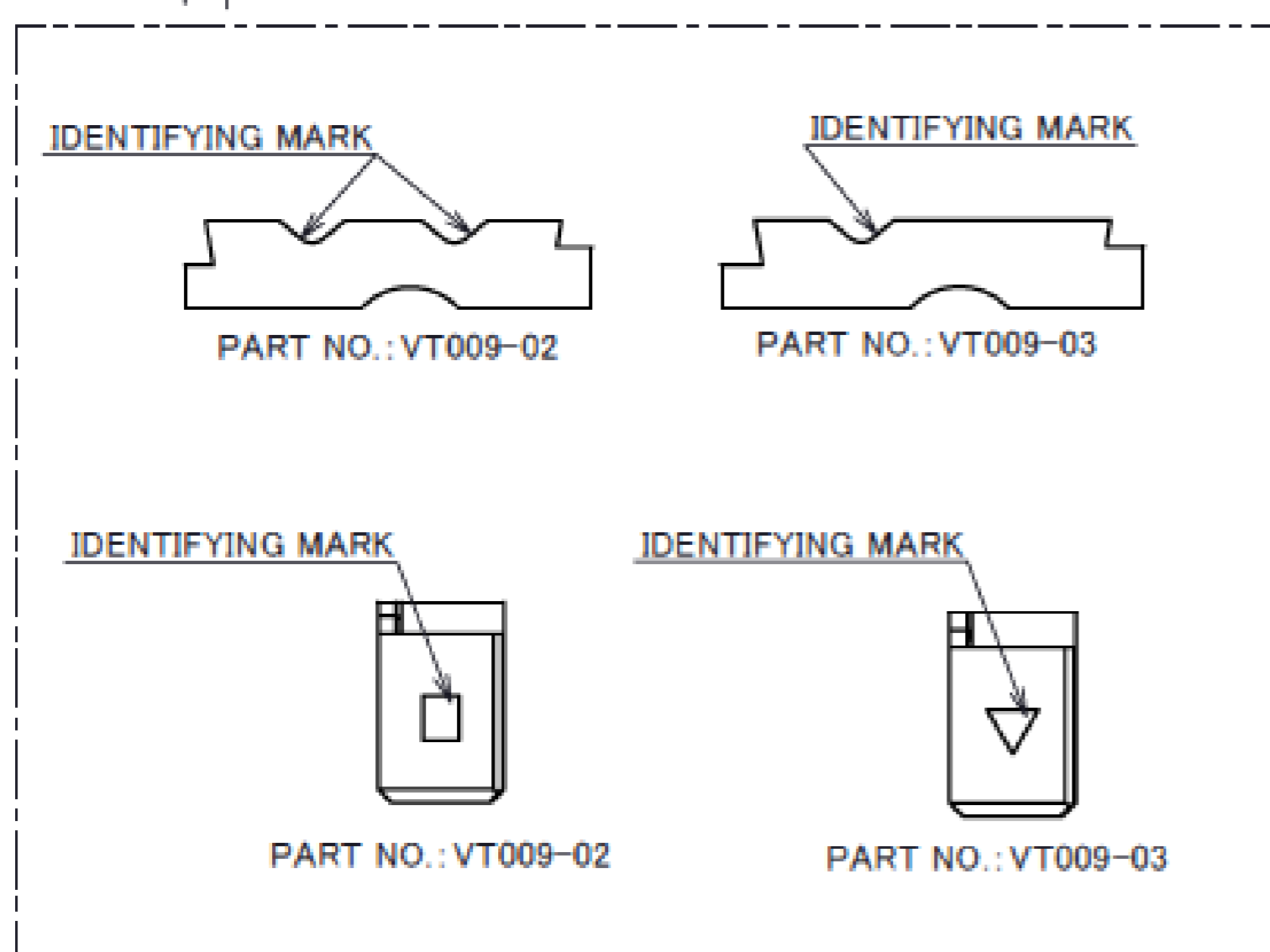
| PART NO. | PLATING |
|----------|--|
| VT009-02 | Sn REFLOW |
| VT009-03 | CONTACT AREA : Au PLATING CRIMPING AREA : Sn REFLOW |



PART NO.: VT009-02



PART NO.: VT009-03
SECTION A-A
10:1



NOTE

1. APPLICABLE FEMALE HOUSING: ISH CONNECTOR SERIES
2. APPLICABLE CABLE SIZE: 0.3mm² / 0.5mm² (FINISHED ϕ 1.60mm MAX.)
3. COMPLY WITH ELV/RoHS.
4. TERMINAL CRIMP SPECIFICATION MUST BE COMPLIANT WITH HANDLING MANUAL [HDM-0020].

| 2 | SPRING | COPPER ALLOY | VT009-02 PLATING : Sn REFLOW VT009-03 PLATING : Au PLATING |
|-----|-------------|--------------|---|
| 1 | BODY | BRASS | VT009-02 PLATING : Sn REFLOW VT009-03 PLATING : Au PLATING CONTACT AREA : Au PLATING CRIMPING AREA : Sn REFLOW |
| NO. | DESCRIPTION | MATERIAL | FINISH/COLOR/REMARKS |

Rev.0

Custom Products Available

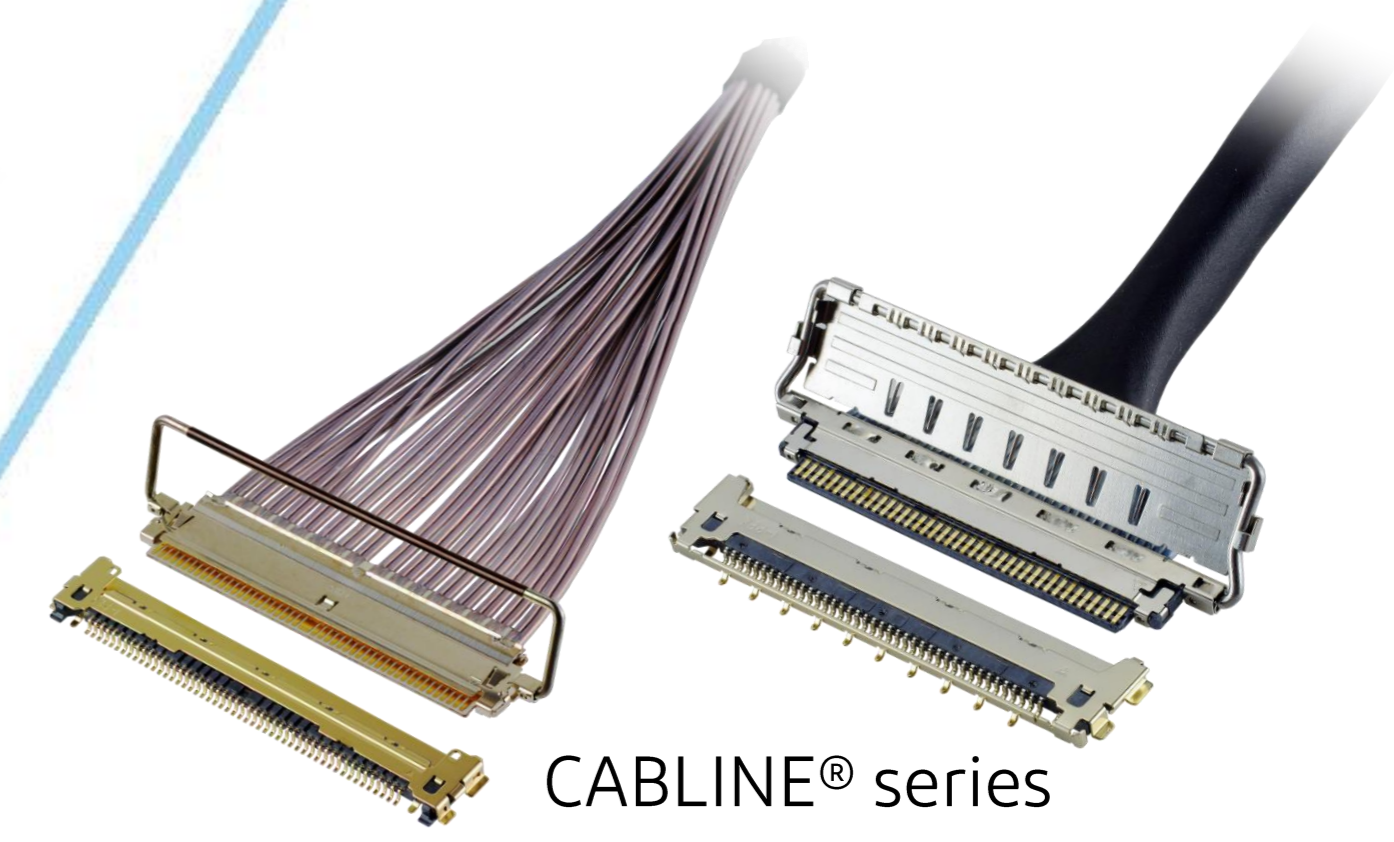
RF Connector

MHF® series



Micro-coaxial/Twinax/Discrete Wire Connector

CABLIN® series



Optical Module

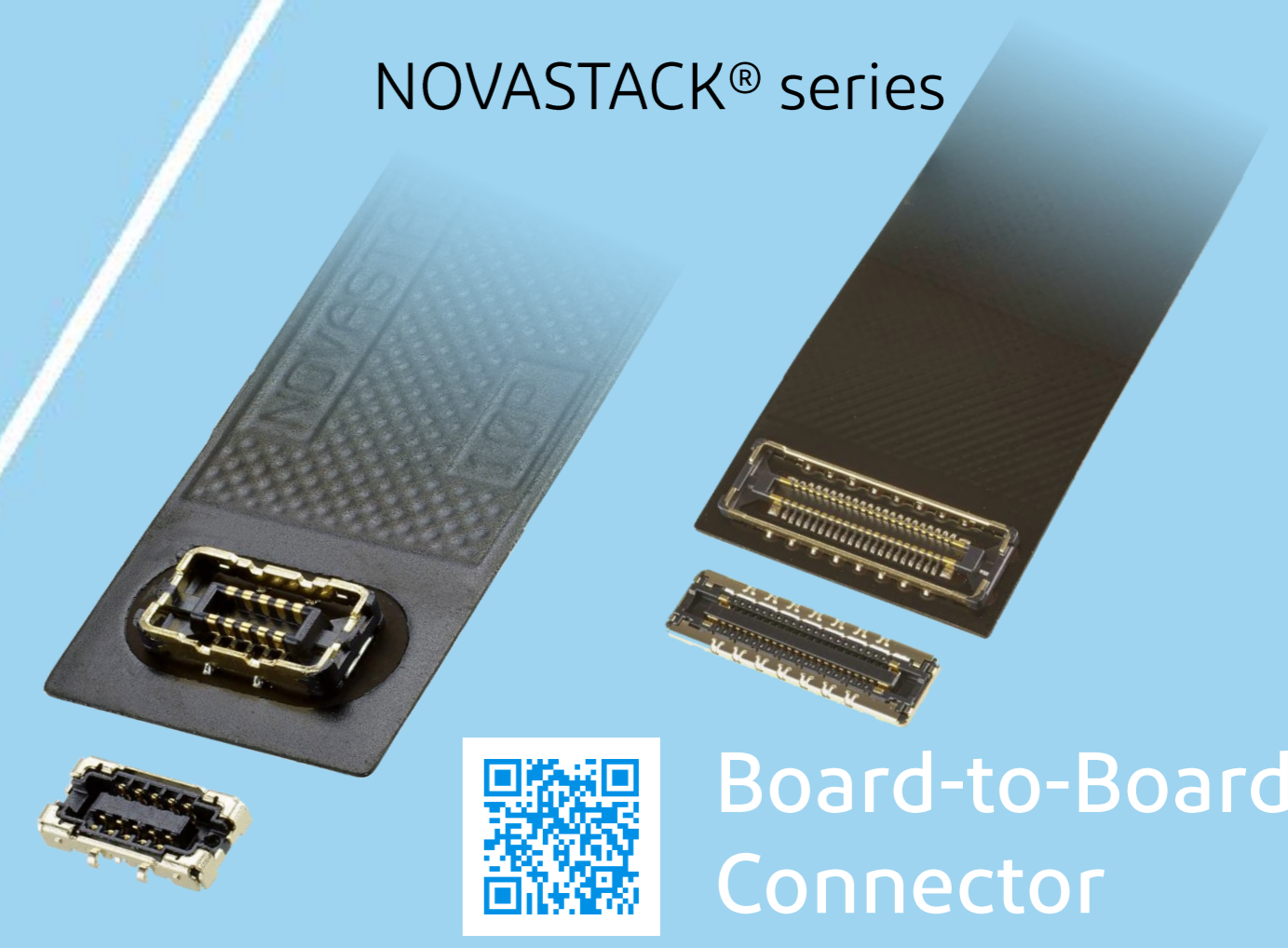
LIGHTPASS® series



NOVASTACK® series



Board-to-Board Connector



Power Connector/Terminal

AP series

ISH® series



MINIFLEX® series

EVAFLEX® series



FPC FFC Connector



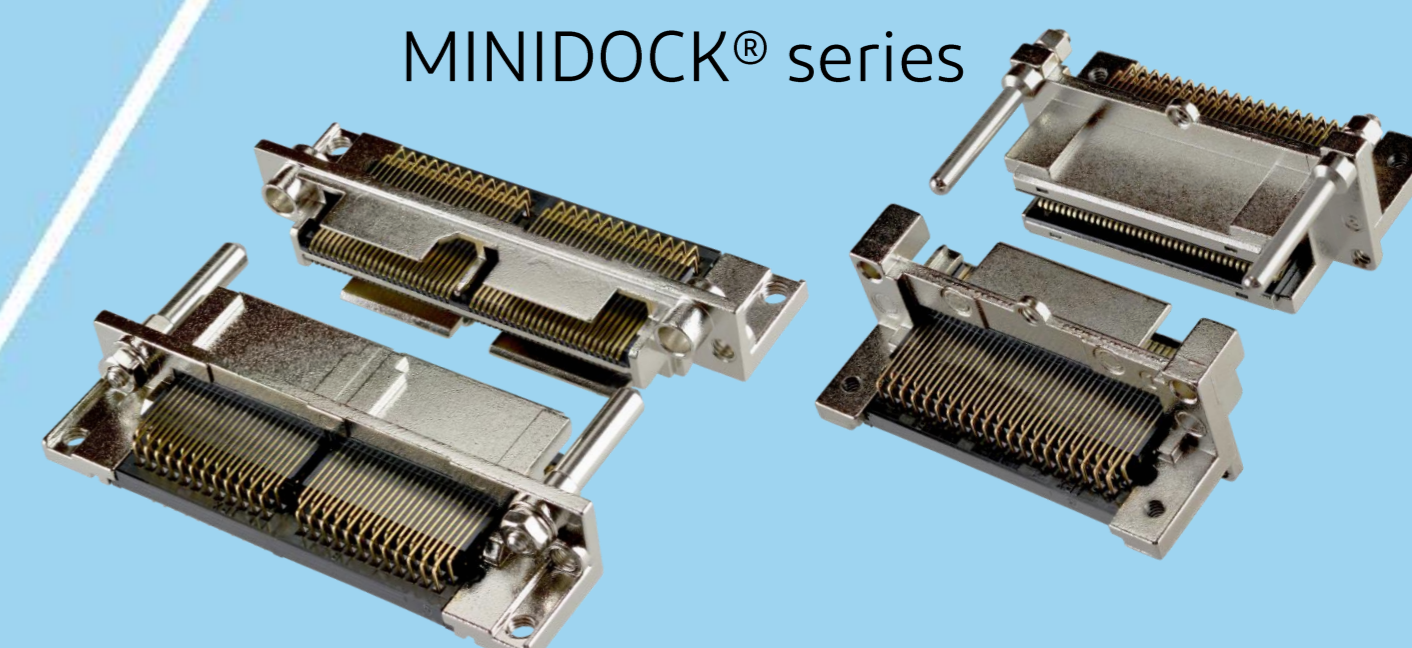
Inquiry



MINIDOCK® series



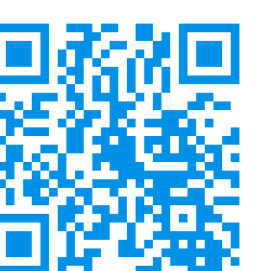
I/O Connector



I-PEX, MHF, CABLINE, LIGHTPASS, NOVASTACK, ISH, IARPB, MINIFLEX, EVAFLEX, MINIDOCKS and ZenShield are registered trademarks of I-PEX Inc. Please note that the contents in the catalog might be changed without prior notification. I-PEX Inc. assumes no responsibility for any inaccuracies or obligation to update information on these documents. Please be sure to read and understand the latest "Precautions for Use" and "Instruction Manual" before you use our products. We shall not be responsible for any defects, damages or troubles in case you use our products without following the precautions for use. Please feel free to contact our sales representatives when you use our products for any applications that require very high reliability and safety, or that relate to human life (ex. nuclear power control, aerospace, transportation, medical equipment, safety equipment etc.).

Contact your sales representative or more detailed information.

www.i-pex.com



I-PEX

© I-PEX Inc. 2024
All rights reserved