

# ISH<sup>®</sup> (Vertical Type)

耐热，耐振，垂直款SMT连接器

Product Specifications:		Single-row	Double-row
Pitch (mm max.)		2.0	
Contact Size (mm)		0.5 × 0.4(020)	
Mated Height (mm max.)		(ISH)20.75, (ISHV)19.95	
Width formula (mm)		(ISH)7.6+1.0*?pin, (ISHV)10.5+1.0*?pin	
Operating Temperature		-40 - 125°C	
Vibration Resistance		10G	
Current Rating		4.5A per pin	
Voltage Rating		100V	
Withstand Voltage		AC 1000V/minute	
Plating		Sn	
Housing		Male:glass-filled LCP, Female:PBT	
Pin counts	Range	Up to 20	Up to 40
	Available	-	8*, 10, 20, 26

#### Applicable Cable Size:

AWG#22,#20  
\*Insulation Diameter 1.6 mm max.

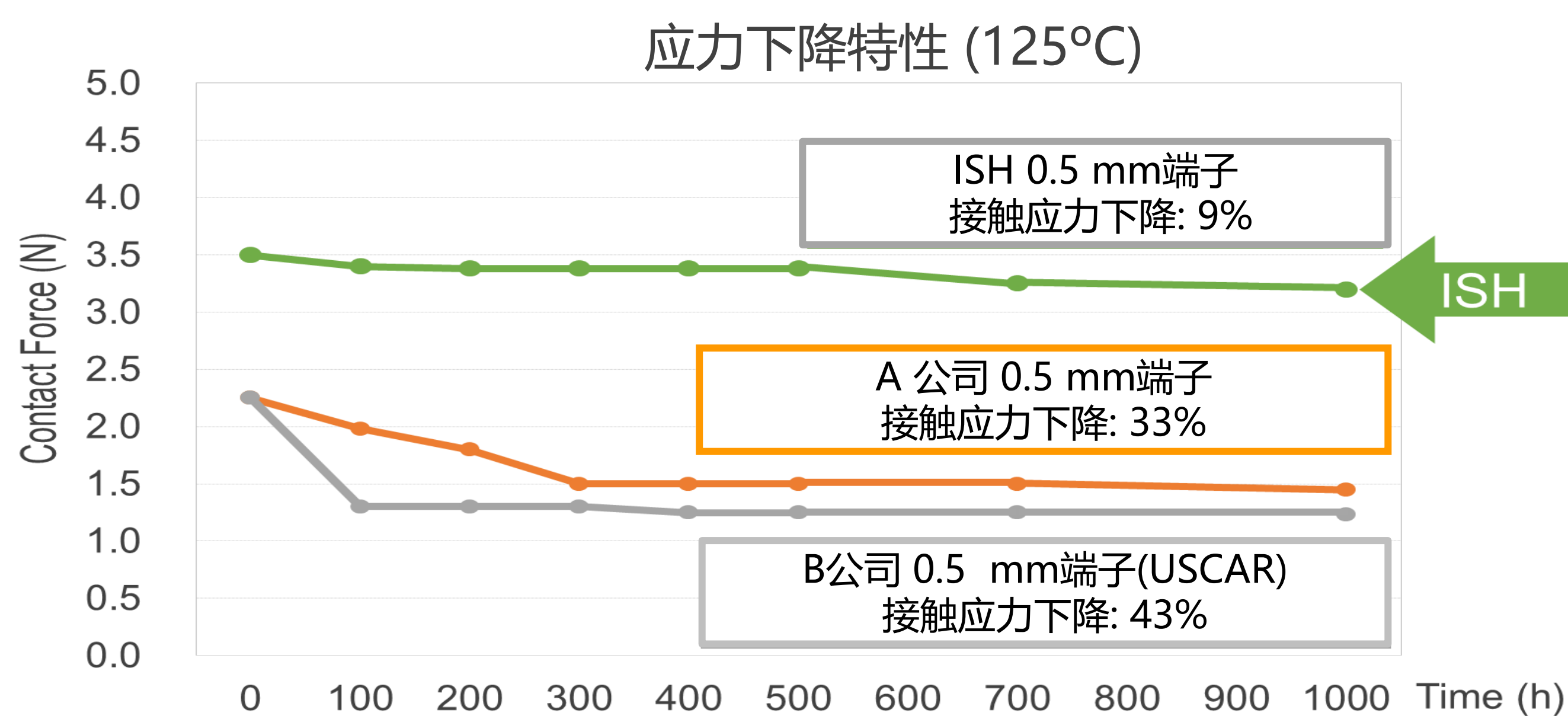
#### Applicable Standards (Reference Only):

LV214 : 8P (optional)

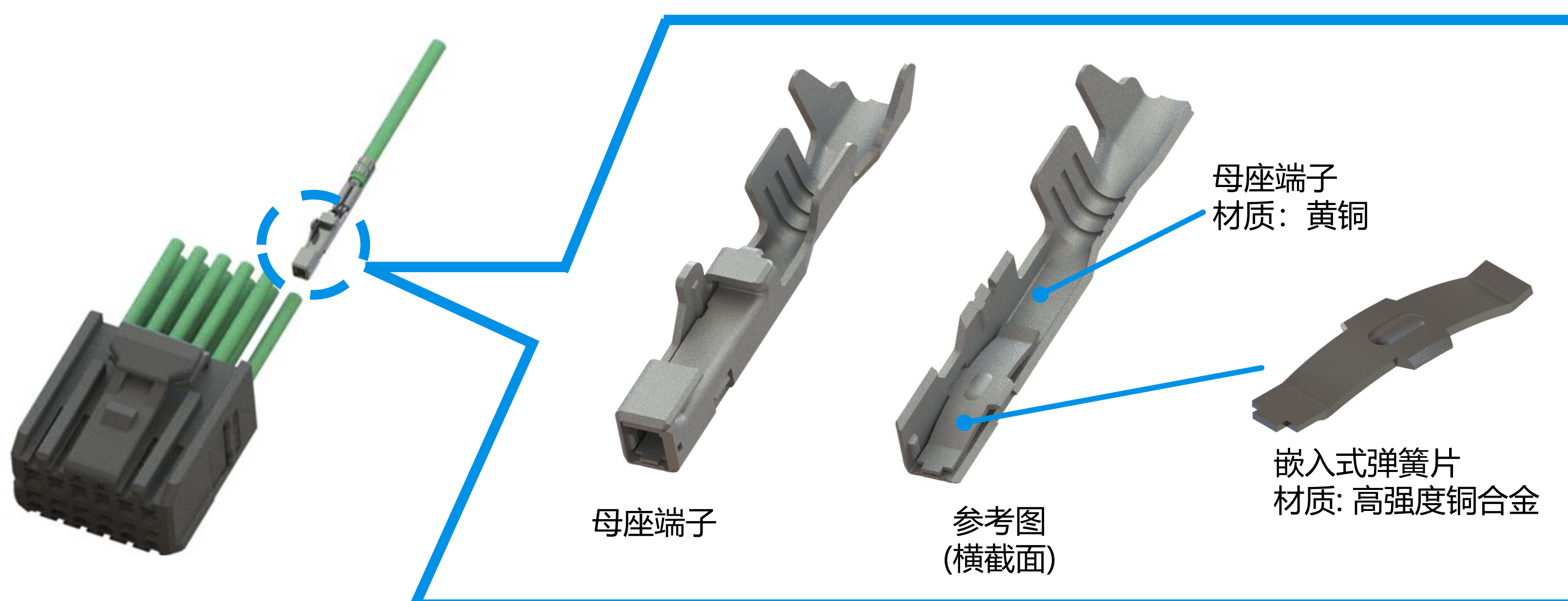
\*如您需要了解未列出或不在范围内的Pin数，请咨询我们  
\*可提供 ISH V 8P



## ▶ 高耐热性和抗振动性，适用于高接触可靠性应用



## ▶ 独特的嵌入式弹簧接线端子，提供长期稳定的电气连接



## ▶ 兼容LV214，为车规和工业级应用而设计



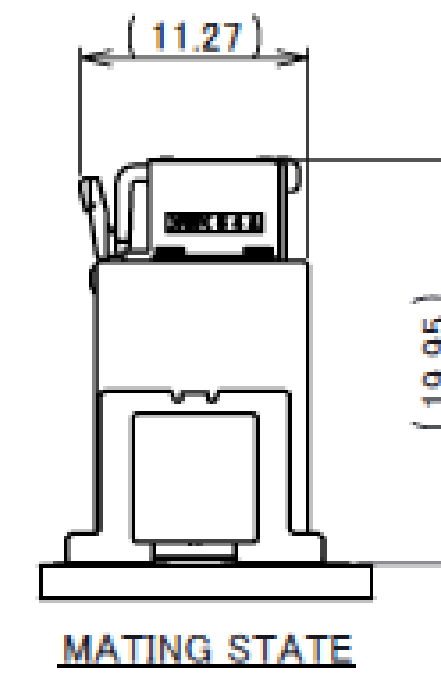
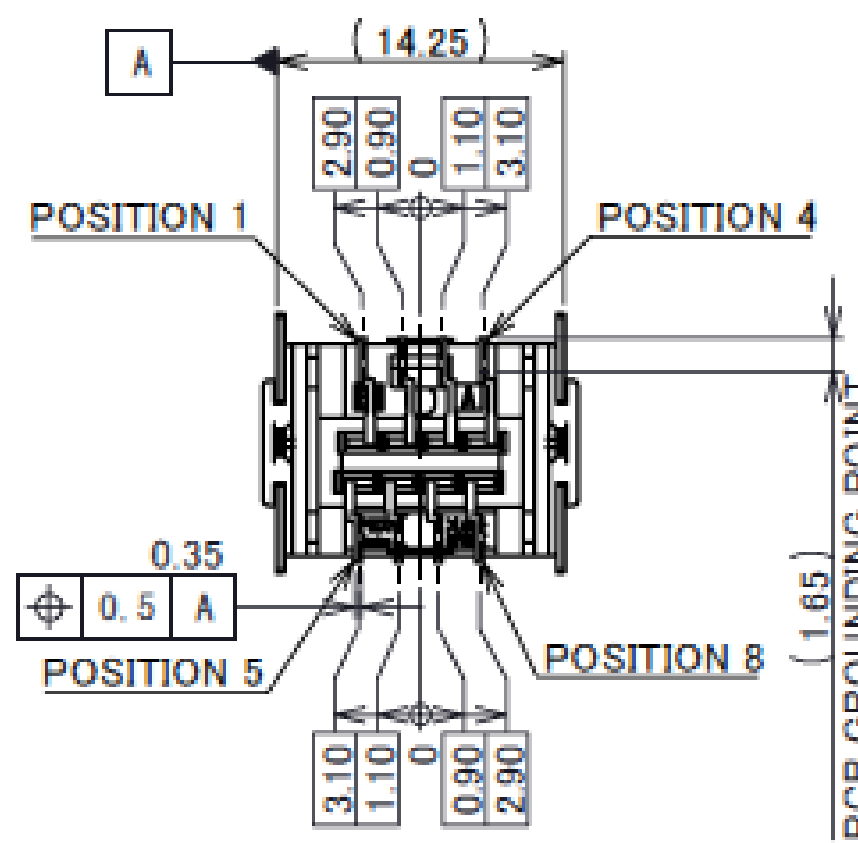
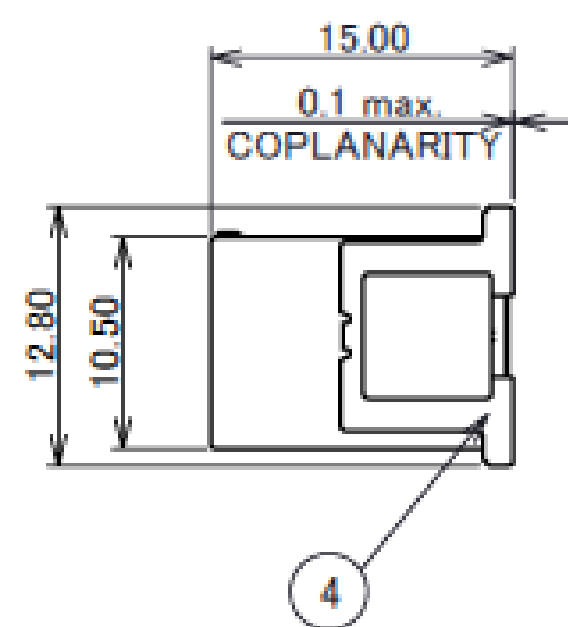
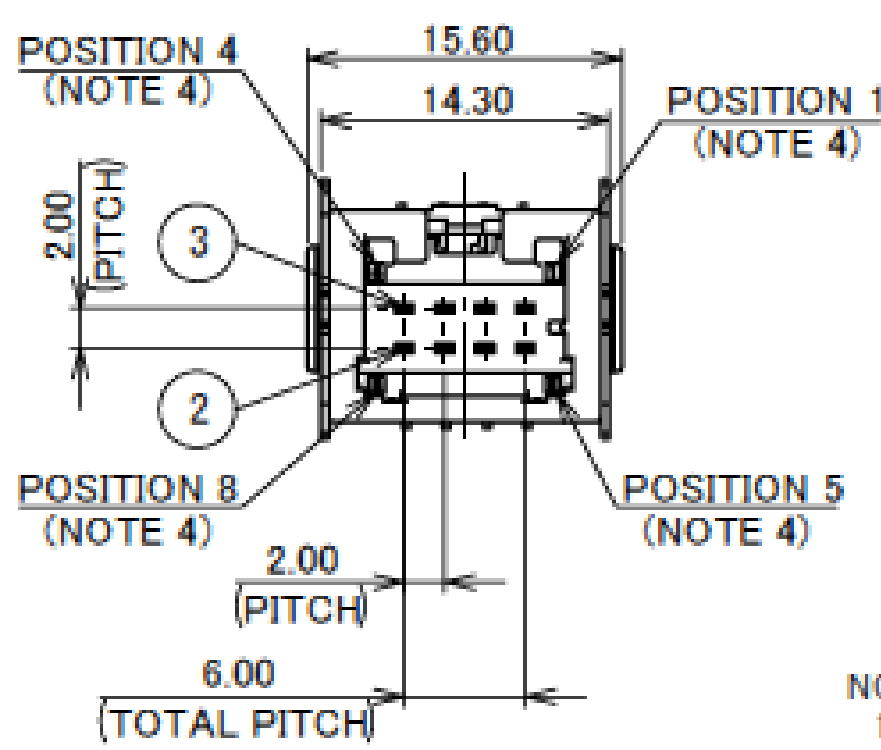
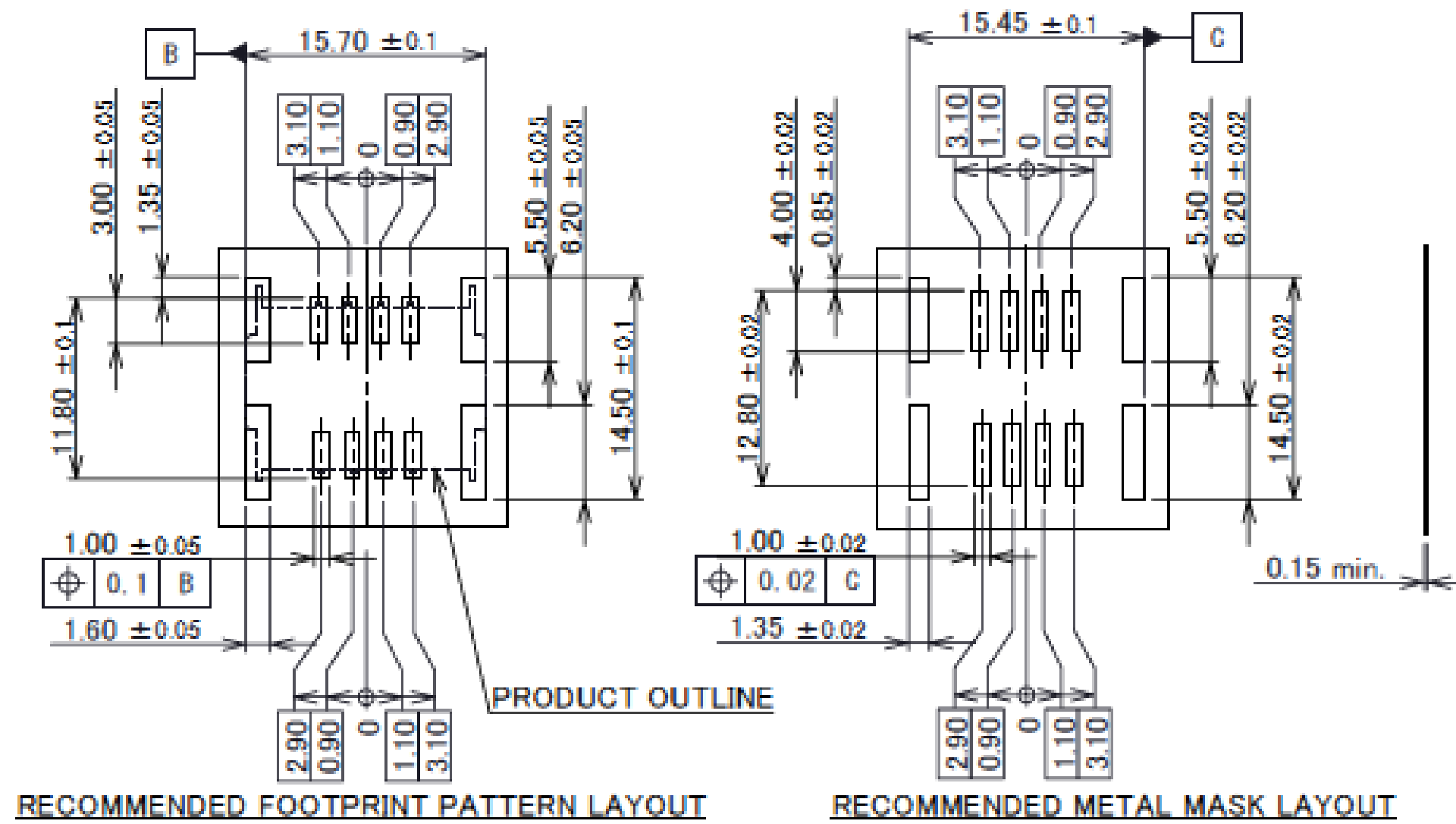
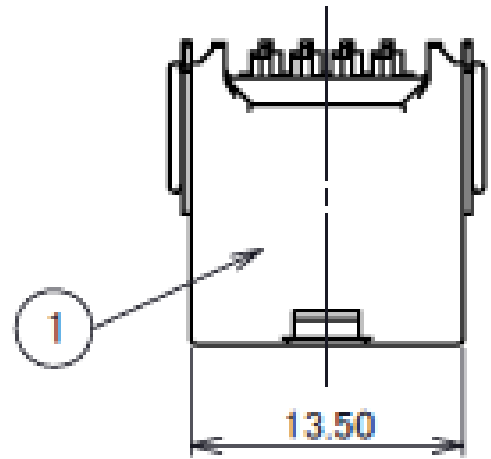
- 汽车大灯控制单元
- 逆变器和 DC/DC 转换器
- 电池控制模块
- 后视镜摄像模块
- 车载娱乐设施
- 机械设备
- 工厂自动化设备等

适用于高温应用

# Component Parts Details

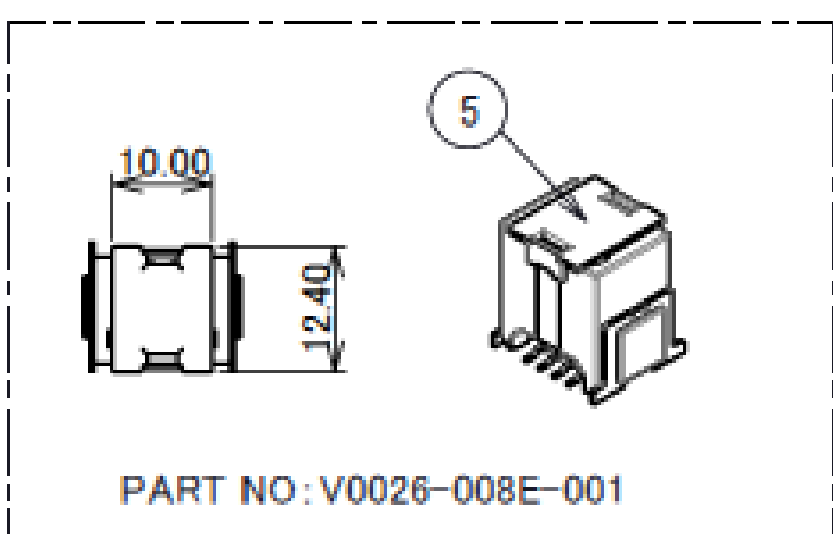
## ISH® (Vertical Type) MALE (8P) ※ISHV:

MALE CONNECTOR	
PART NO.	VACUUM CAP
V0026-008E-001	WITH
◆V0026-008E-002	WITHOUT
◆MARK MEANS NOT AVAILABLE.	



- NOTES
- APPLICABLE PART NO.:
    - FEMALE HOUSING...V0027-91008-211
    - FEMALE RETAINER...V0116-92008-01
    - FEMALE TERMINAL...VT009-02
  - COMPLY WITH ELV/RoHS
  - USE METAL MASK WHICH HAS A THICKNESS OF 0.15mm MIN. WHEN THE MALE CONNECTOR IS MOUNTED ON THE PCB.
  - POSITION NUMBERS ARE INDICATED.

5	VACUUM CAP	GLASS-FILLED LCP	NATURAL
4	HOLD DOWN	BRASS	S <sub>n</sub> REFLOW
3	MALE TERMINAL-2	BRASS	S <sub>n</sub> REFLOW
2	MALE TERMINAL-1	BRASS	S <sub>n</sub> REFLOW
1	MALE HOUSING	GLASS-FILLED LCP	BLACK/UL94V-0
NO.	DESCRIPTION	MATERIAL	FINISH/COLOR/REMARKS

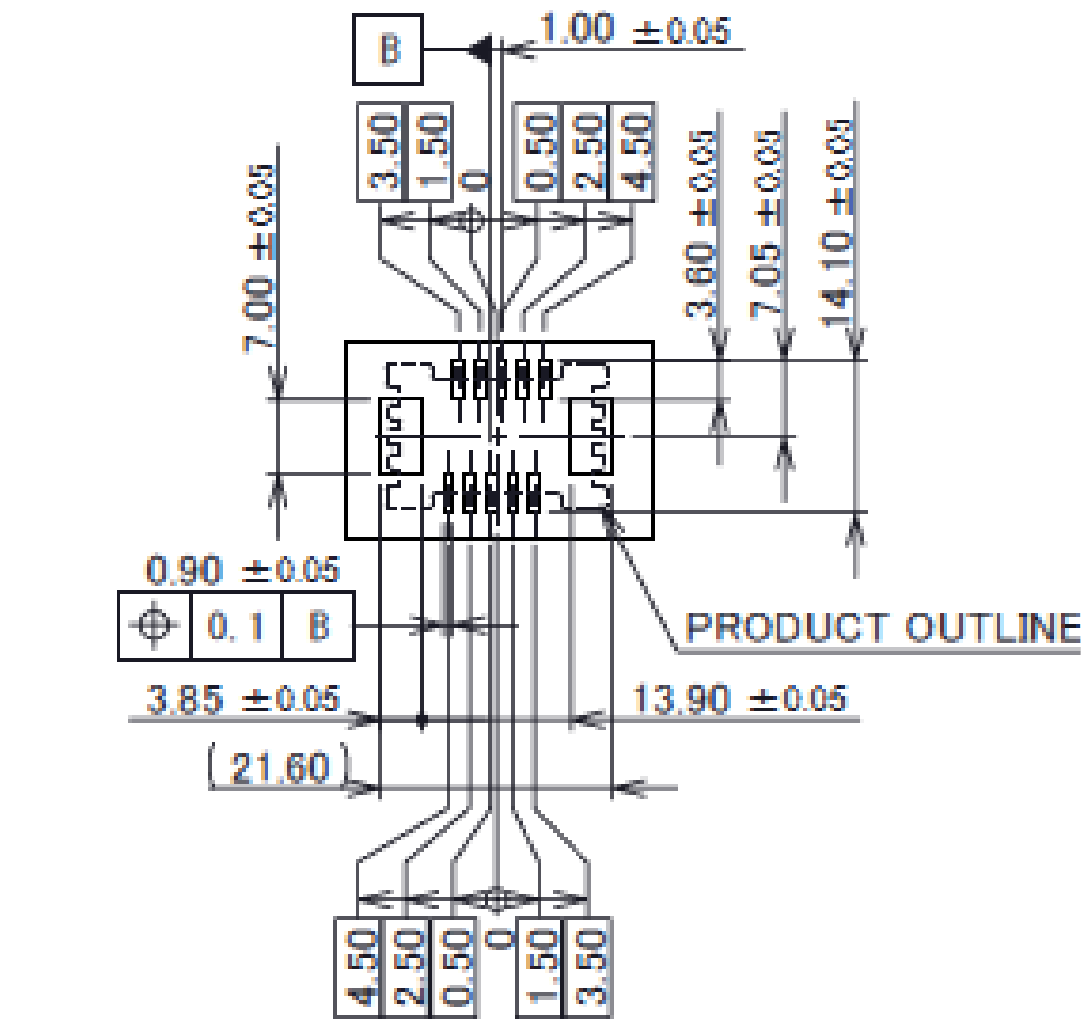
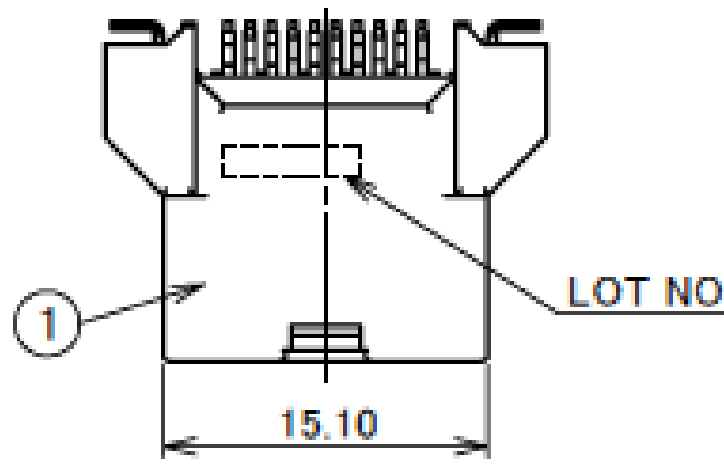




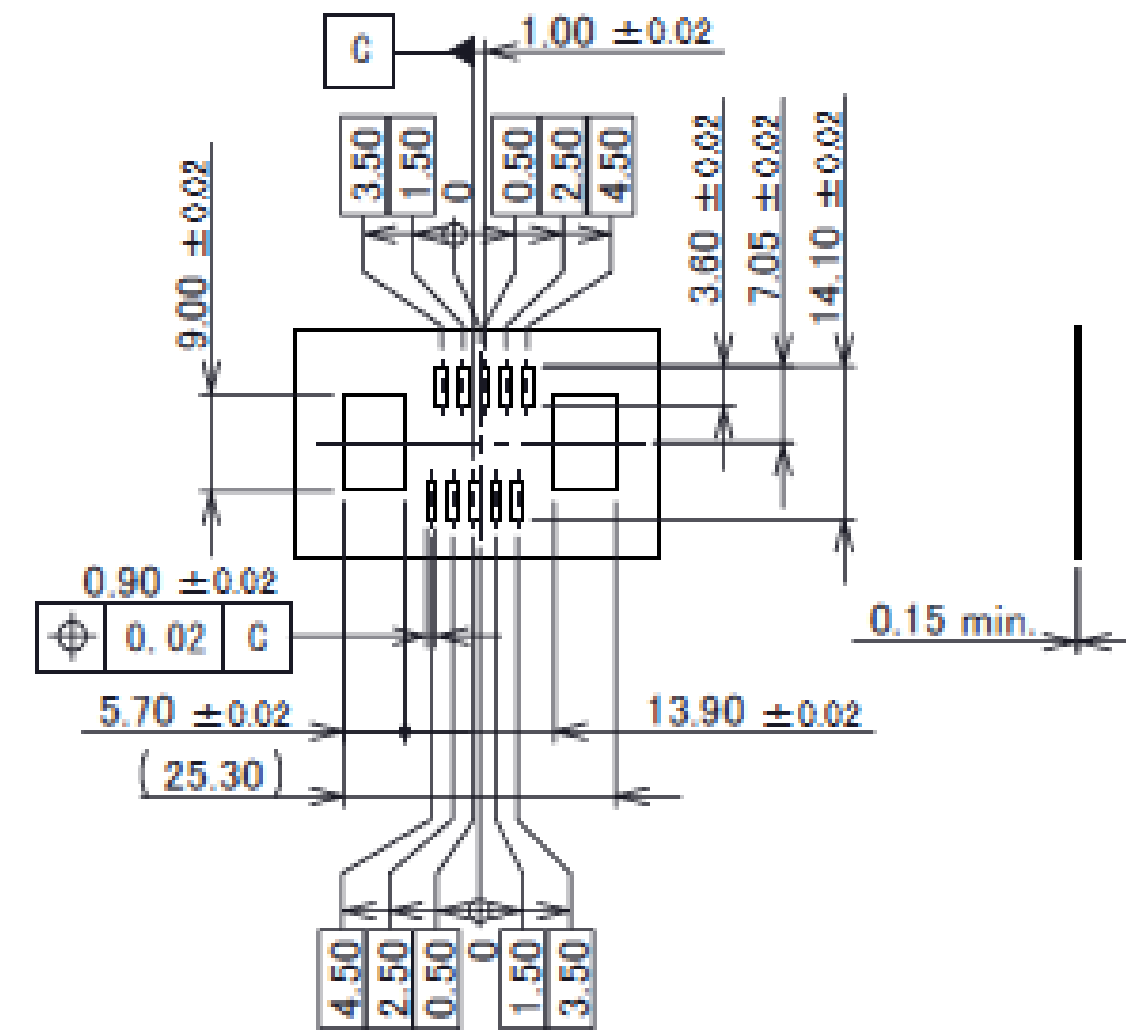
# ISH® (Vertical Type) MALE (10P):

PART NO.	VACUUM CAP
V0019-010E-001	WITH
◆V0019-010E-002	WITHOUT

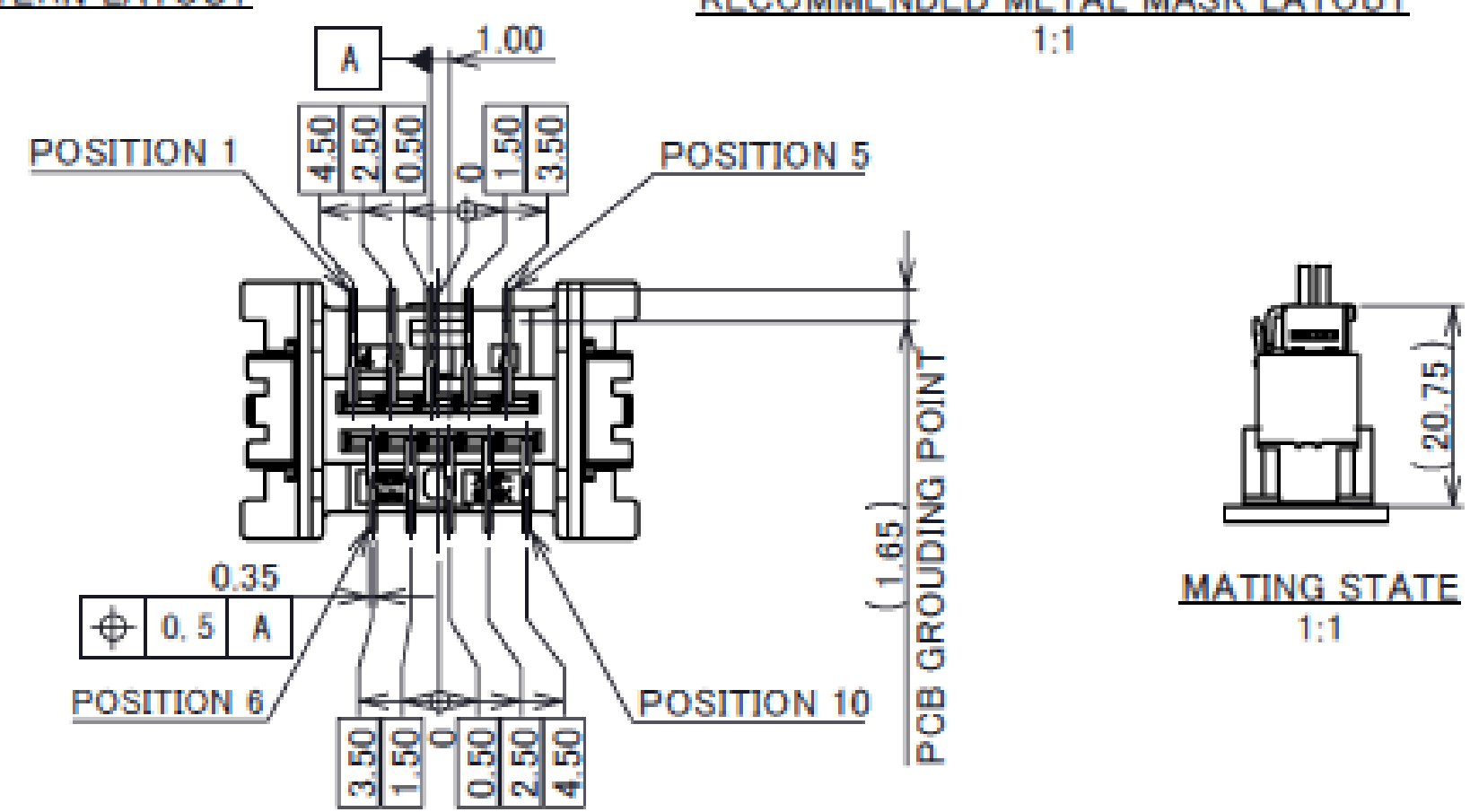
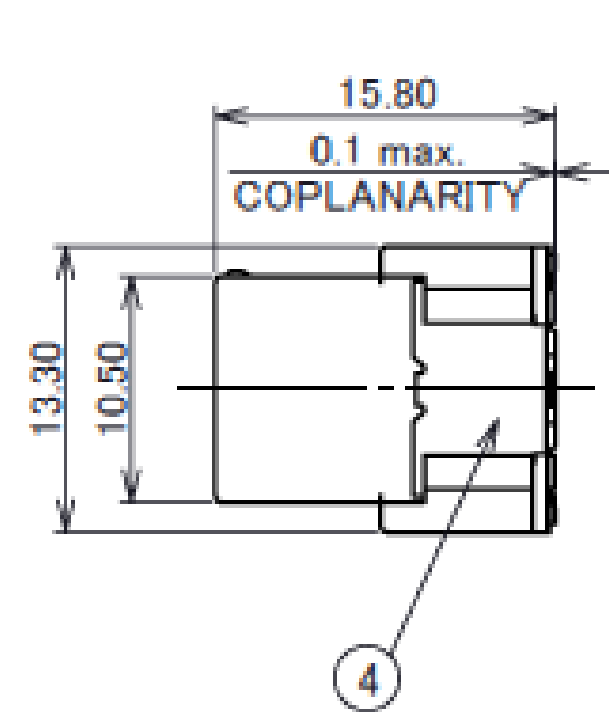
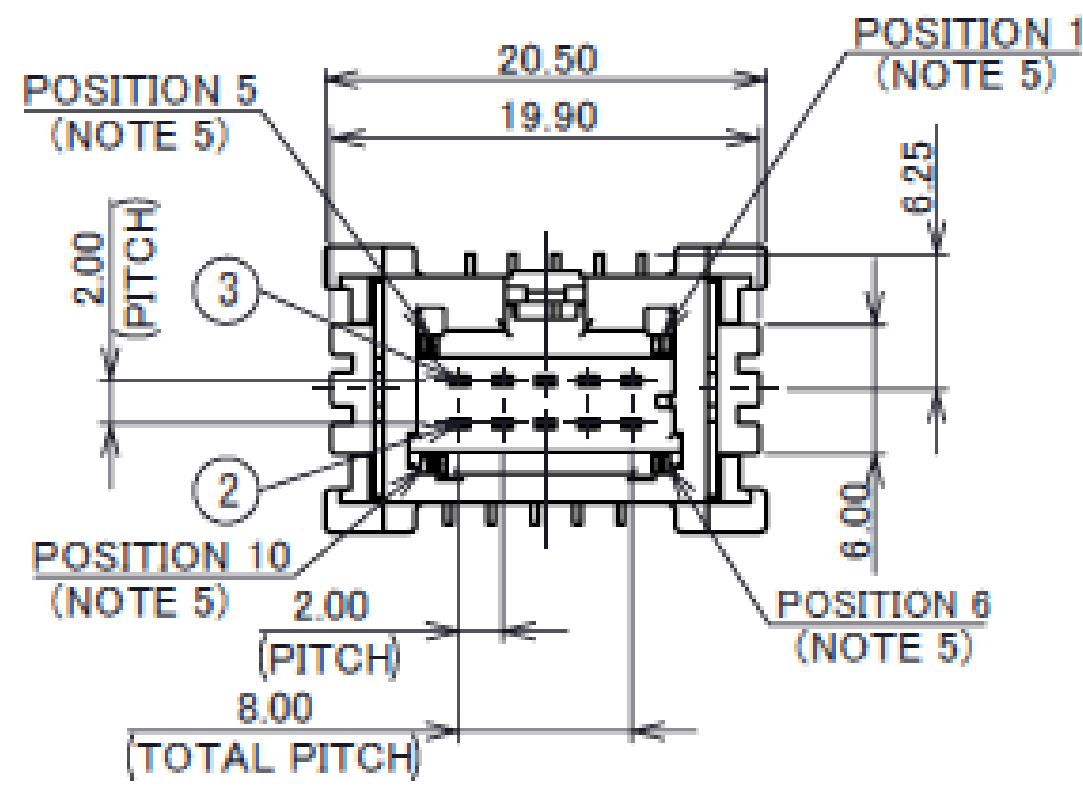
◆MARK MEANS NOT AVAILABLE



RECOMMENDED FOOTPRINT PATTERN LAYOUT 1:1



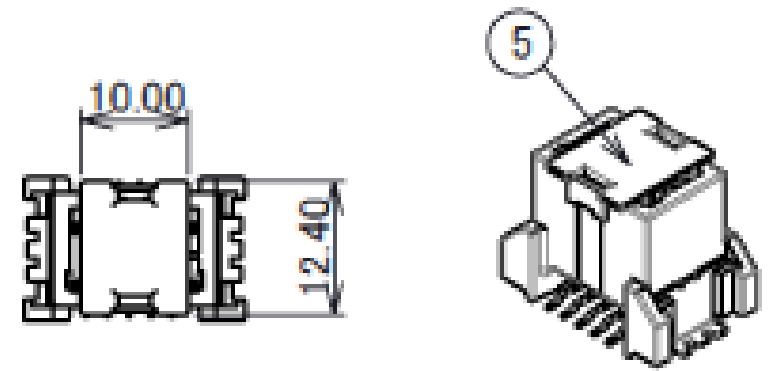
RECOMMENDED METAL MASK LAYOUT 1:1



**NOTES**

- 1.APPLICABLE PART NO.:
  - FEMALE HOUSING...V0020-91010-211
  - FEMALE RETAINER...V0020-92010-211
  - FEMALE TERMINAL...VT009-02
- 2.COMPLY WITH ELV/RoHS
- 3.HANDLE OF PRODUCT IN COMPLIANCE WITH HANDLING MANUAL(HDM-0020)
- 4.USE METAL MASK WHICH HAS A THICKNESS OF 0.15mm MIN. WHEN THE MALE CONNECTOR IS MOUNTED ON THE PCB.
- 5.POSITION NUMBERS ARE INDICATED.

NO.	DESCRIPTION	MATERIAL	FINISH/COLOR/REMARKS
5	VAGUUM CAP	GLASS-FILLED LCP	NATURAL
4	HOLD DOWN	BRASS	Sn REFLOW
3	MALE TERMINAL-2	BRASS	Sn REFLOW
2	MALE TERMINAL-1	BRASS	Sn REFLOW
1	MALE HOUSING	GLASS-FILLED LCP	BLACK / UL94V-0

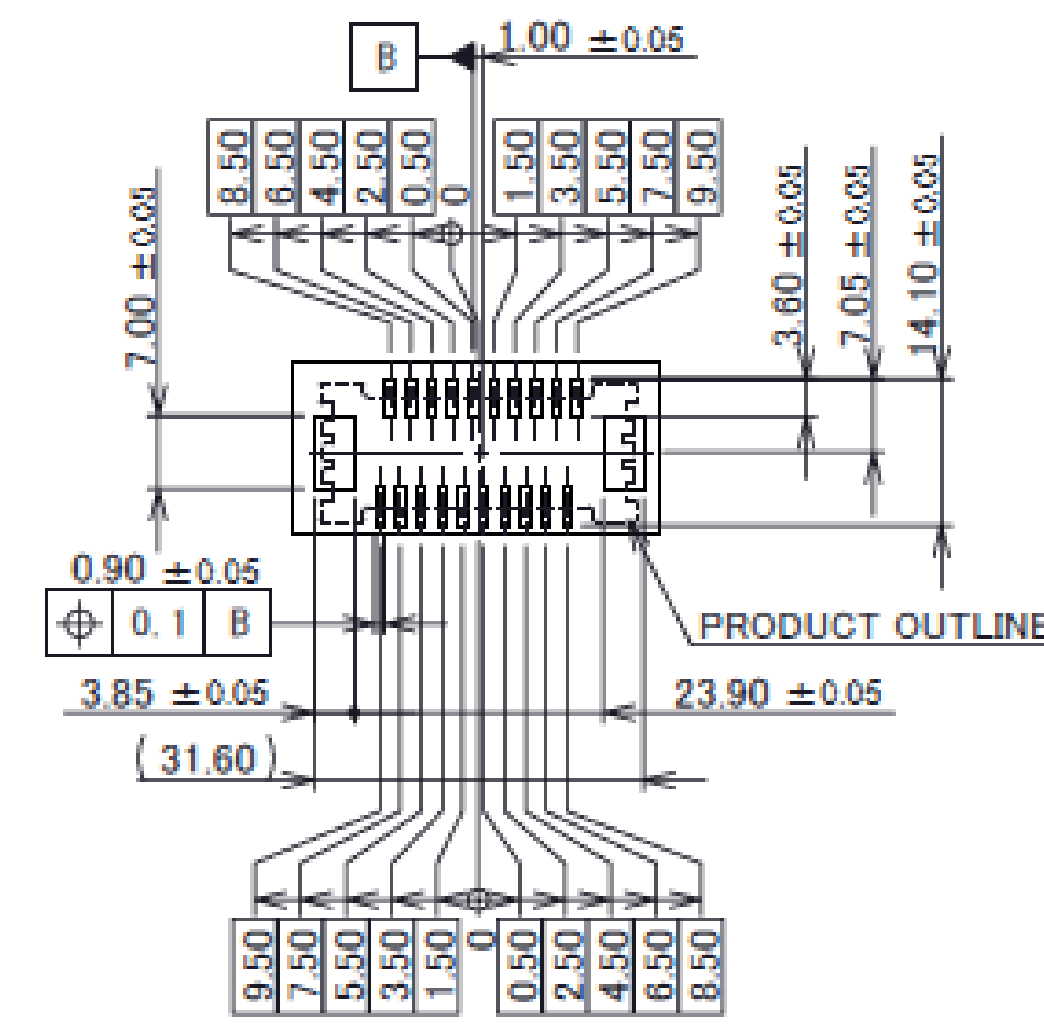
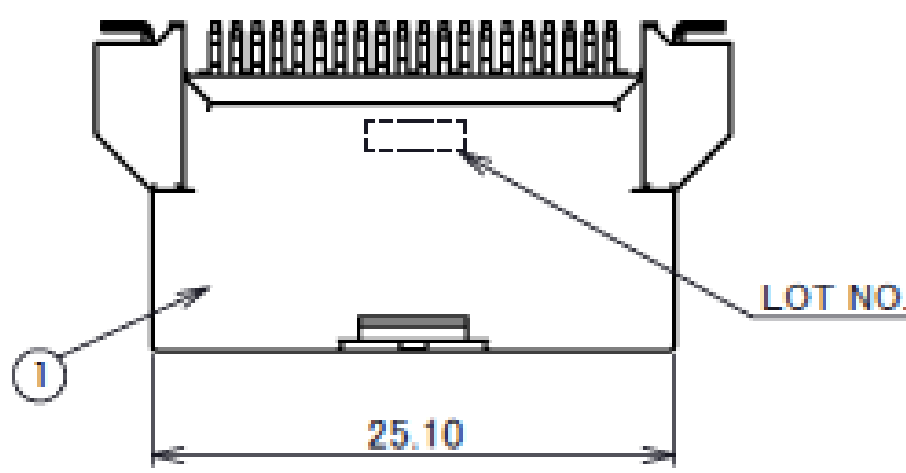


PART NO: V0019-010E-001

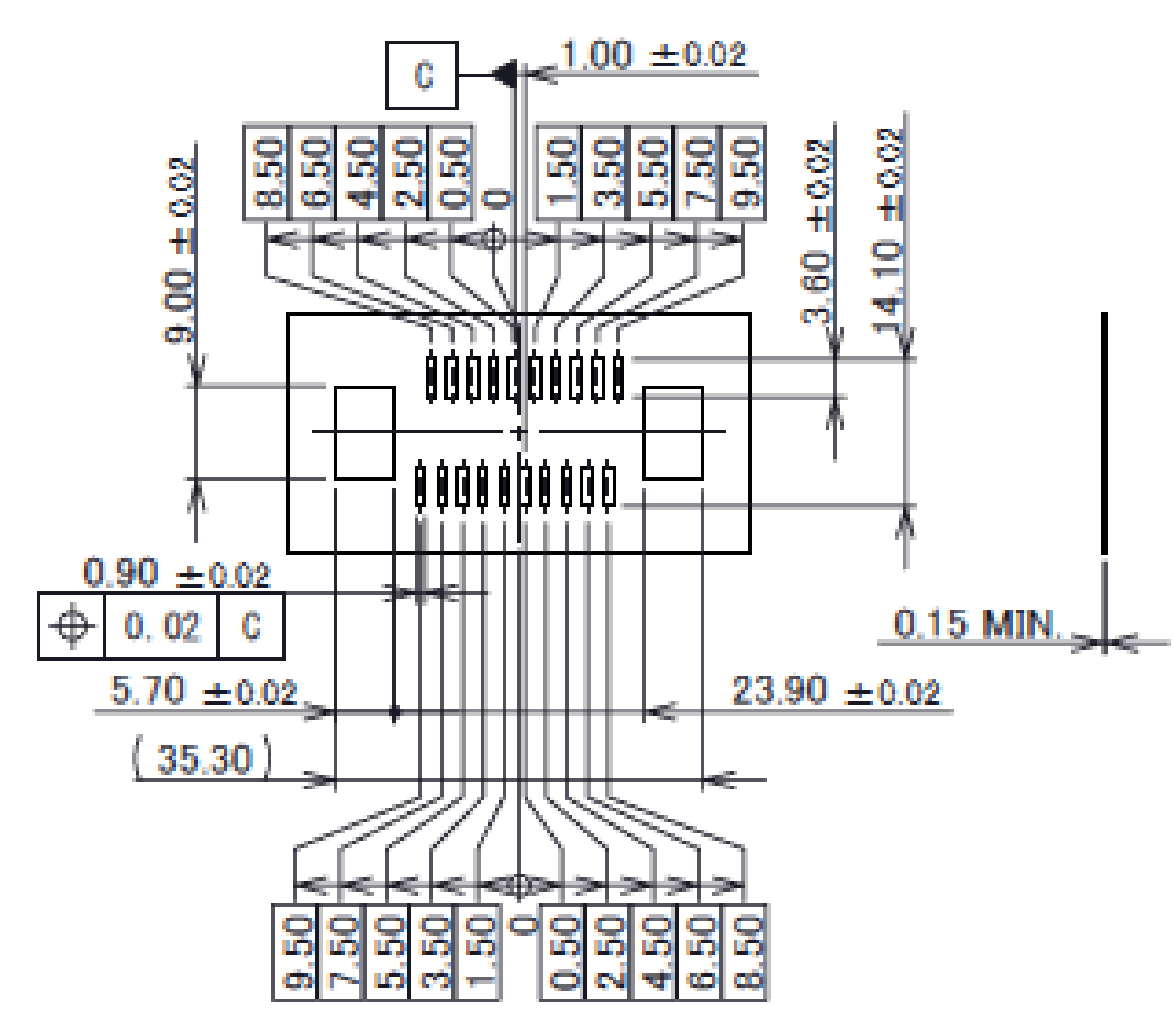
Rev.0

# ISH® (Vertical Type) MALE (20P):

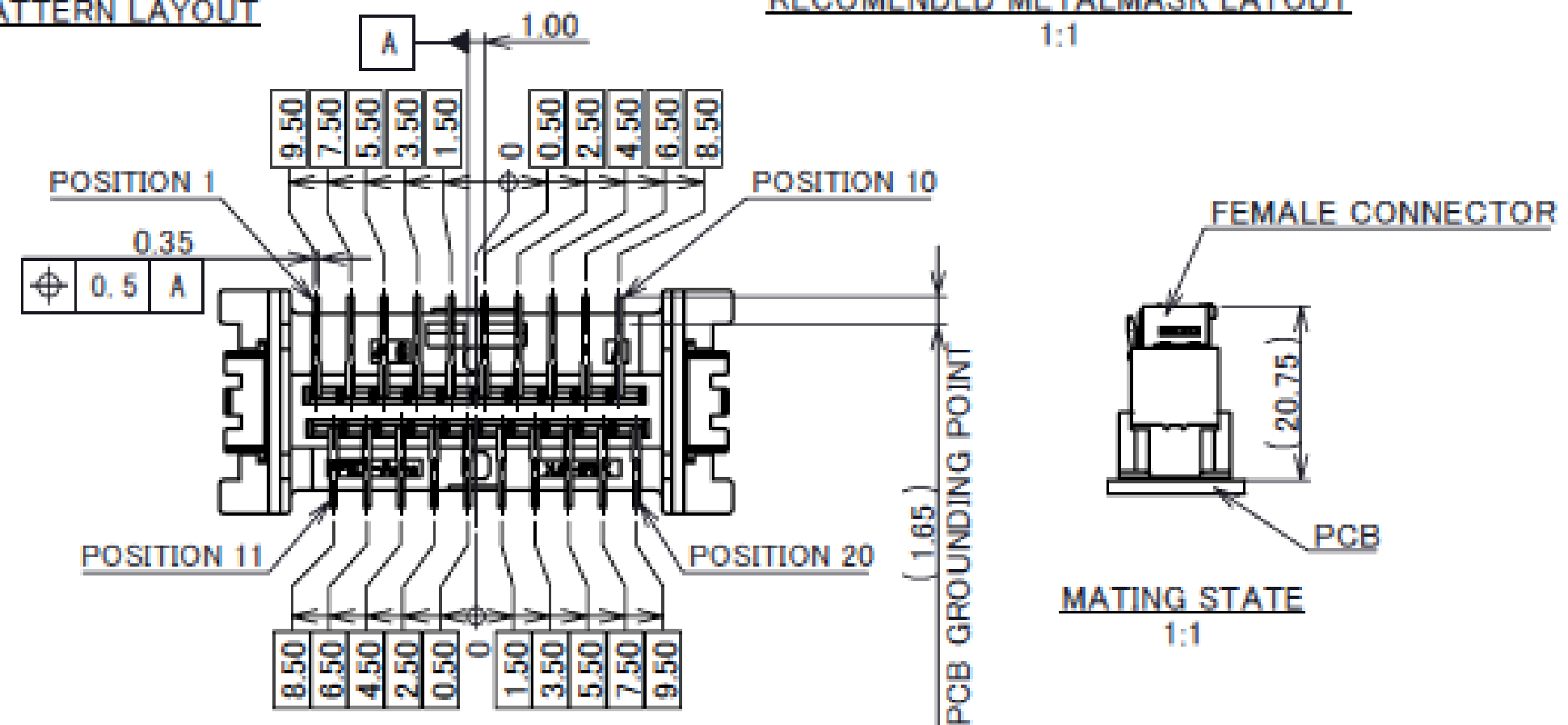
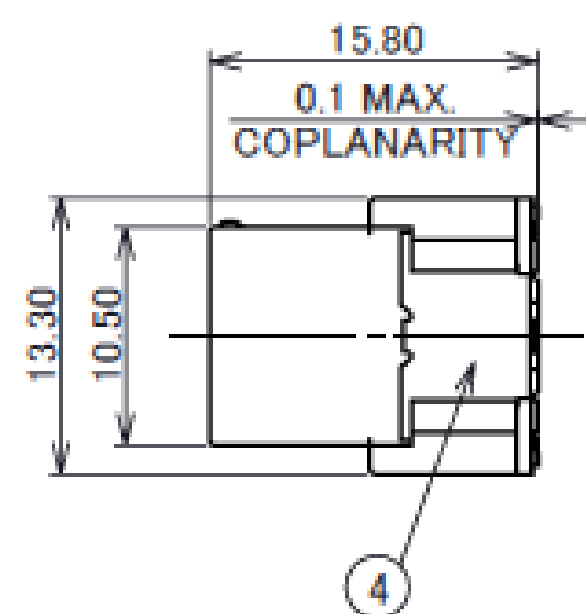
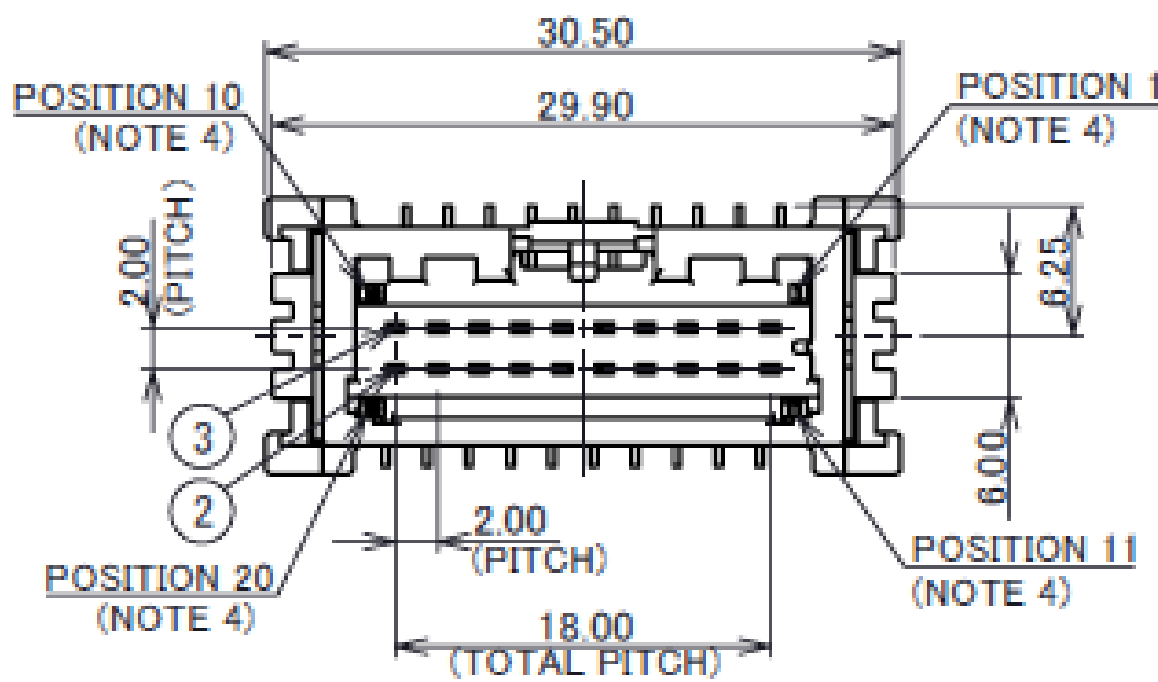
PART NO.
V0019-020E-001
V0019-020E-002



RECOMMENDED FOOTPRINT PATTERN LAYOUT 1:1



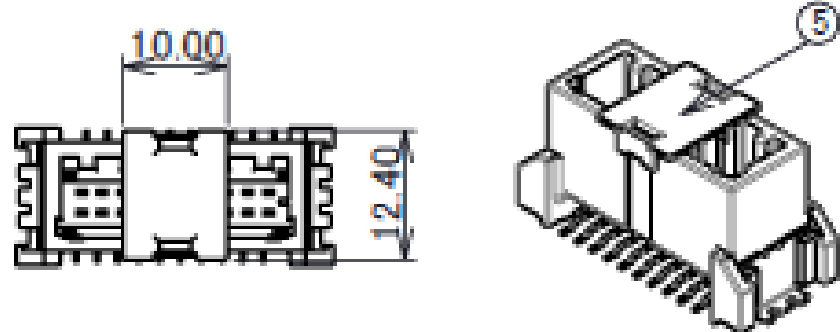
RECOMMENDED METAL MASK LAYOUT 1:1



**NOTES**

- 1.APPLICABLE PART NO.:
  - FEMALE HOUSING...V0020-91020-211
  - FEMALE RETAINER...V0020-92020-211
  - FEMALE TERMINAL...VT009-02
- 2.COMPLY WITH ELV/RoHS
- 3.USE METAL MASK WHICH HAS A THICKNESS OF 0.15mm MIN. WHEN THE MALE CONNECTOR IS MOUNTED ON THE PCB.
- 4.POSITION NUMBERS ARE INDICATED.

NO.	DESCRIPTION	MATERIAL	FINISH/COLOR/REMARKS
5	VACUUM CAP	GLASS-FILLED LCP	NATURAL
4	HOLD DOWN	BRASS	Sn REFLOW
3	MALE TERMINAL-2	BRASS	Sn REFLOW
2	MALE TERMINAL-1	BRASS	Sn REFLOW
1	MALE HOUSING	GLASS-FILLED LCP	BLACK/UL94V-0



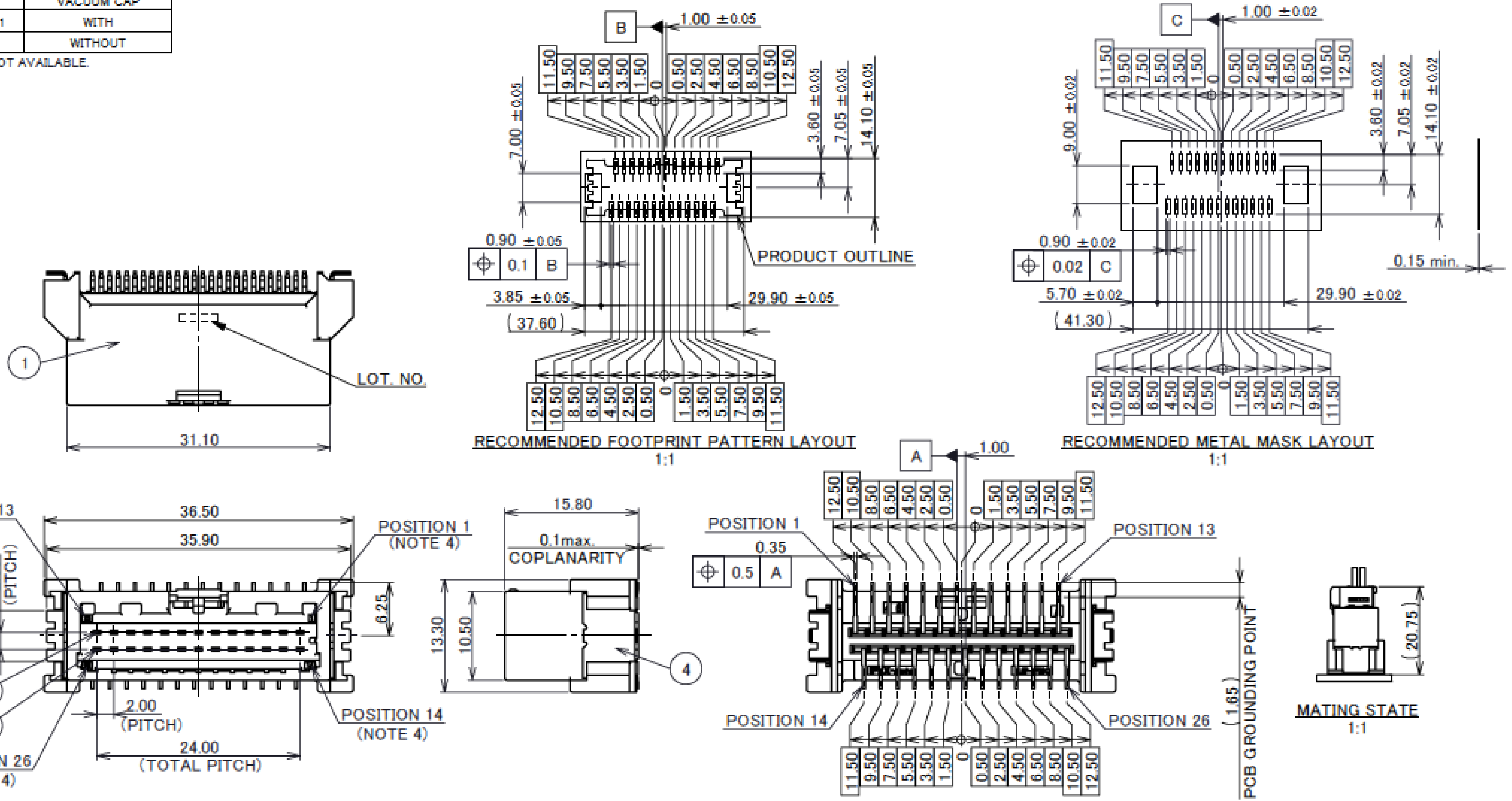
PART NO:V0019-020E-001

Rev.0

# ISH® (Vertical Type) MALE (26P):

PART NO.	VACUUM CAP
◆V0019-026E-001	WITH
V0019-026E-002	WITHOUT

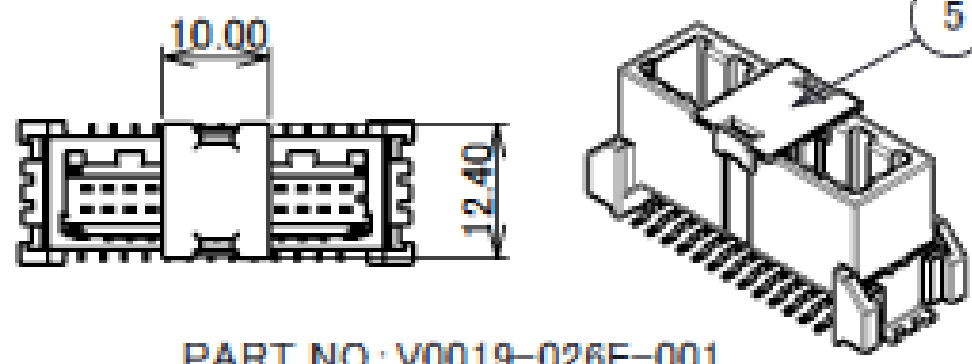
◆MARK MEANS NOT AVAILABLE.



### NOTES

1. APPLICABLE PART NO.:
  - FEMALE HOUSING --- V0020-91026-211
  - FEMALE RETAINER --- V0020-92026-211
  - FEMALE TERMINAL --- VT009-02
2. COMPLY WITH ELV/RoHS
3. USE METAL MASK WHICH HAS A THICKNESS OF 0.15mm MIN. WHEN THE MALE CONNECTOR IS MOUNTED ON THE PCB.
4. POSITION NUMBERS ARE INDICATED.

NO.	DESCRIPTION	MATERIAL	FINISH/COLOR/REMARKS
5	VACUUM CAP	GLASS-FILLED LCP	NATURAL
4	HOLD DOWN	BRASS	Sn REFLOW
3	MALE TERMINAL-2	BRASS	Sn REFLOW
2	MALE TERMINAL -1	BRASS	Sn REFLOW
1	MALE HOUSING	GLASS-FILLED LCP	BLACK

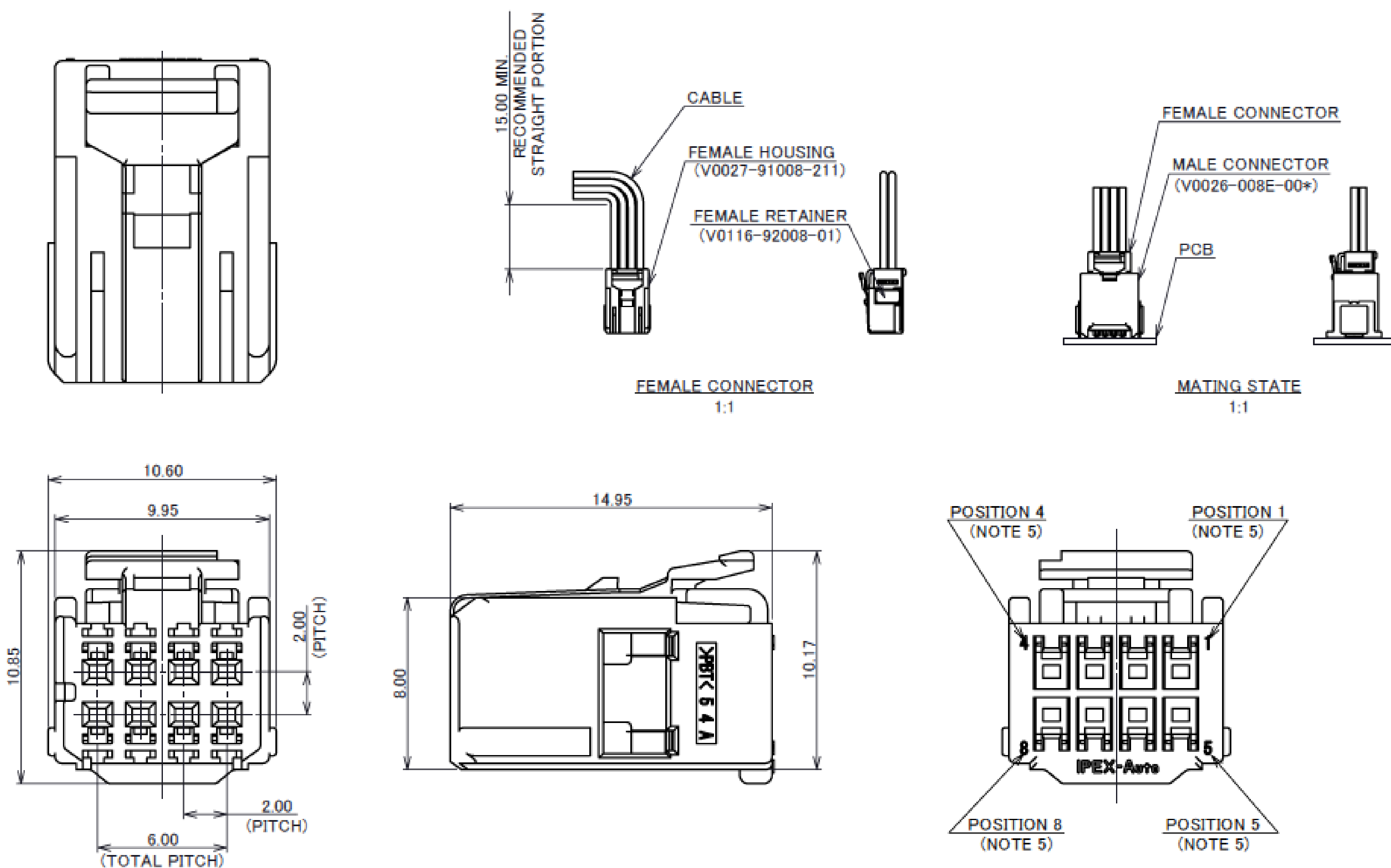


PART NO: V0019-026E-001

Rev.0

# ISH® (Vertical Type) FEMALE (8P) ※ISHV :

PART NO.	LOCK TYPE	KEY CODING	COLOR	FOR REAR COVER
V0027-91008-211	NORMAL ROCK	-	BLACK	N/A



NO.	DESCRIPTION	MATERIAL	FINISH/COLOR/REMARKS
1	FEMALE HOUSING	PBT	BLACK

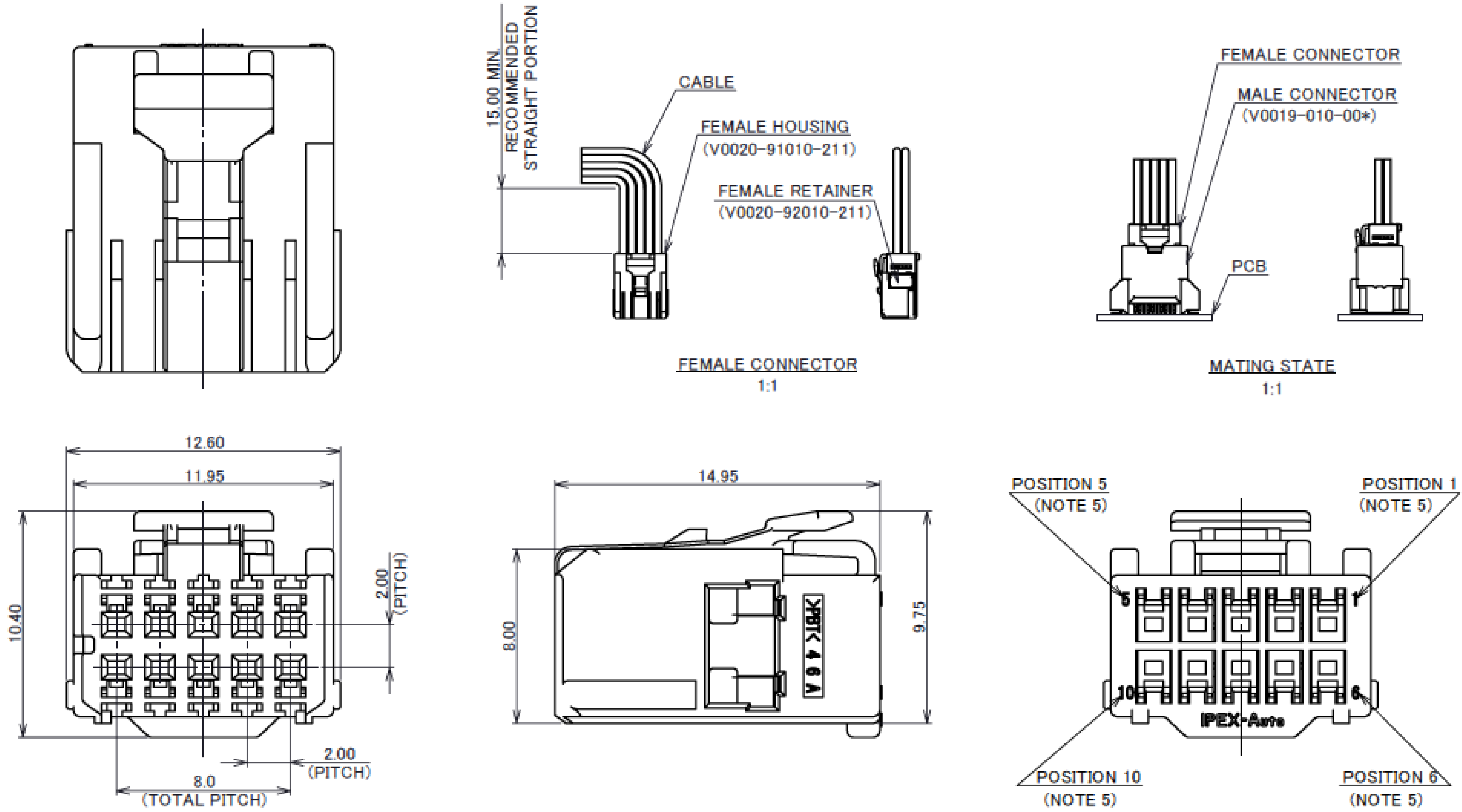
### NOTES

1. APPLICABLE PART NO.:
  - FEMALE TERMINAL --- VT009-02
  - FEMALE RETAINER --- V0116-92008-01
2. MATERIAL: PBT
3. COMPLY WITH ELV/RoHS
4. HANDLE OF PRODUCT IN COMPLIANCE WITH HANDLING MANUAL [HDM-0020]
5. POSITION NUMBERS ARE INDICATED.

Rev.0

# ISH® (Vertical Type) FEMALE (10P):

PART NO.	LOCK TYPE	KEY CODING	COLOR	FOR REAR COVER
V0020-91010-211	NORMAL LOCK	-	BLACK	N/A



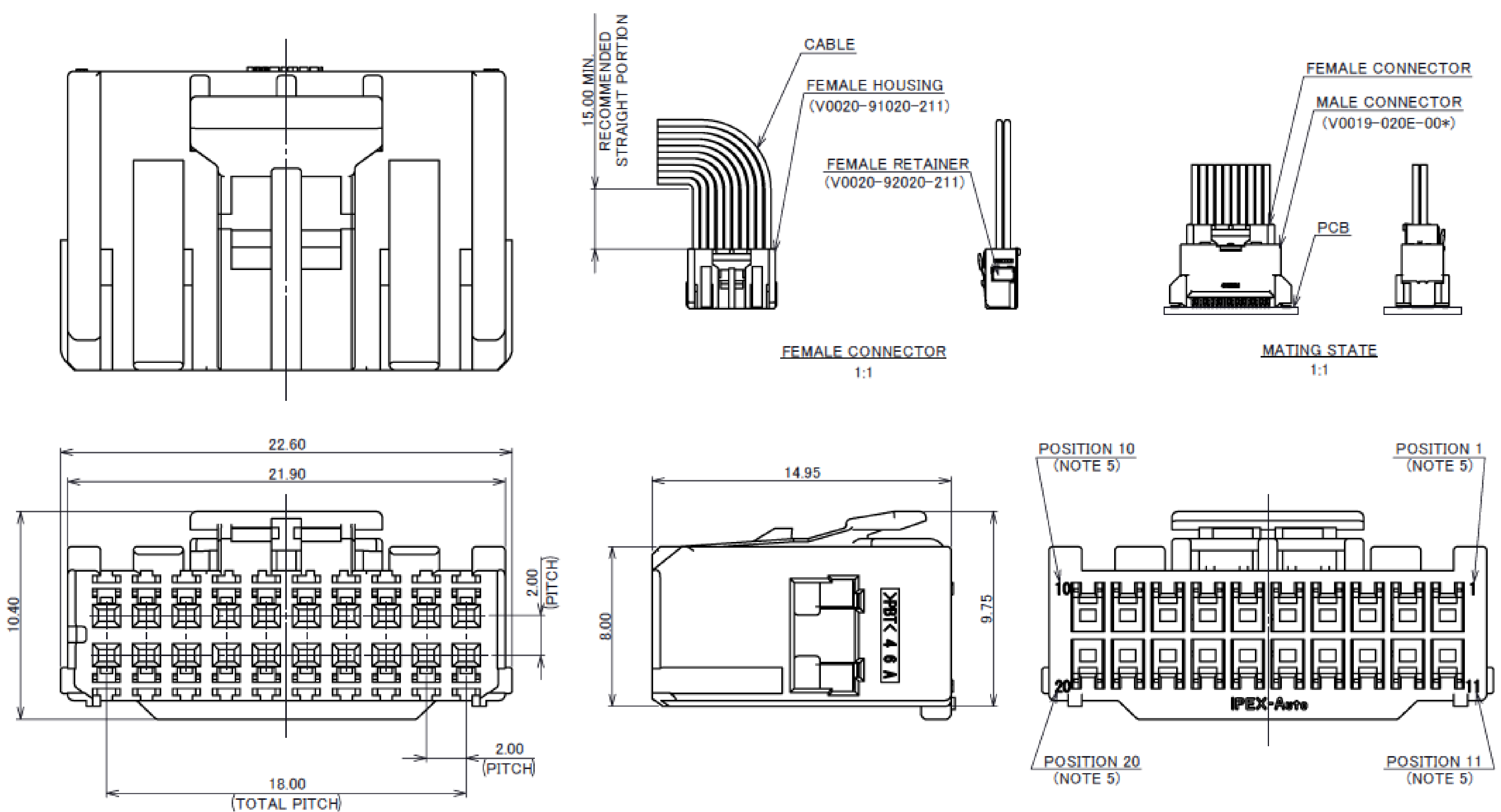
NO.	DESCRIPTION	MATERIAL	FINISH/COLOR/REMARKS
①	FEMALE HOUSING	PBT	BLACK

- NOTES
- APPLICABLE PART NO.:  
 - FEMALE TERMINAL --- VT009-02  
 - FEMALE RETAINER --- V0020-92010-211
  - MATERIAL: PBT
  - COMPLY WITH ELV/REHS.
  - HANDLE OF PRODUCT IN COMPLIANCE WITH HANDLING MANUAL [HDM-0020]
  - POSITION NUMBERS ARE INDICATED.

Rev.0

# ISH® (Vertical Type) FEMALE (20P):

PART NO.
V0020-91020-211



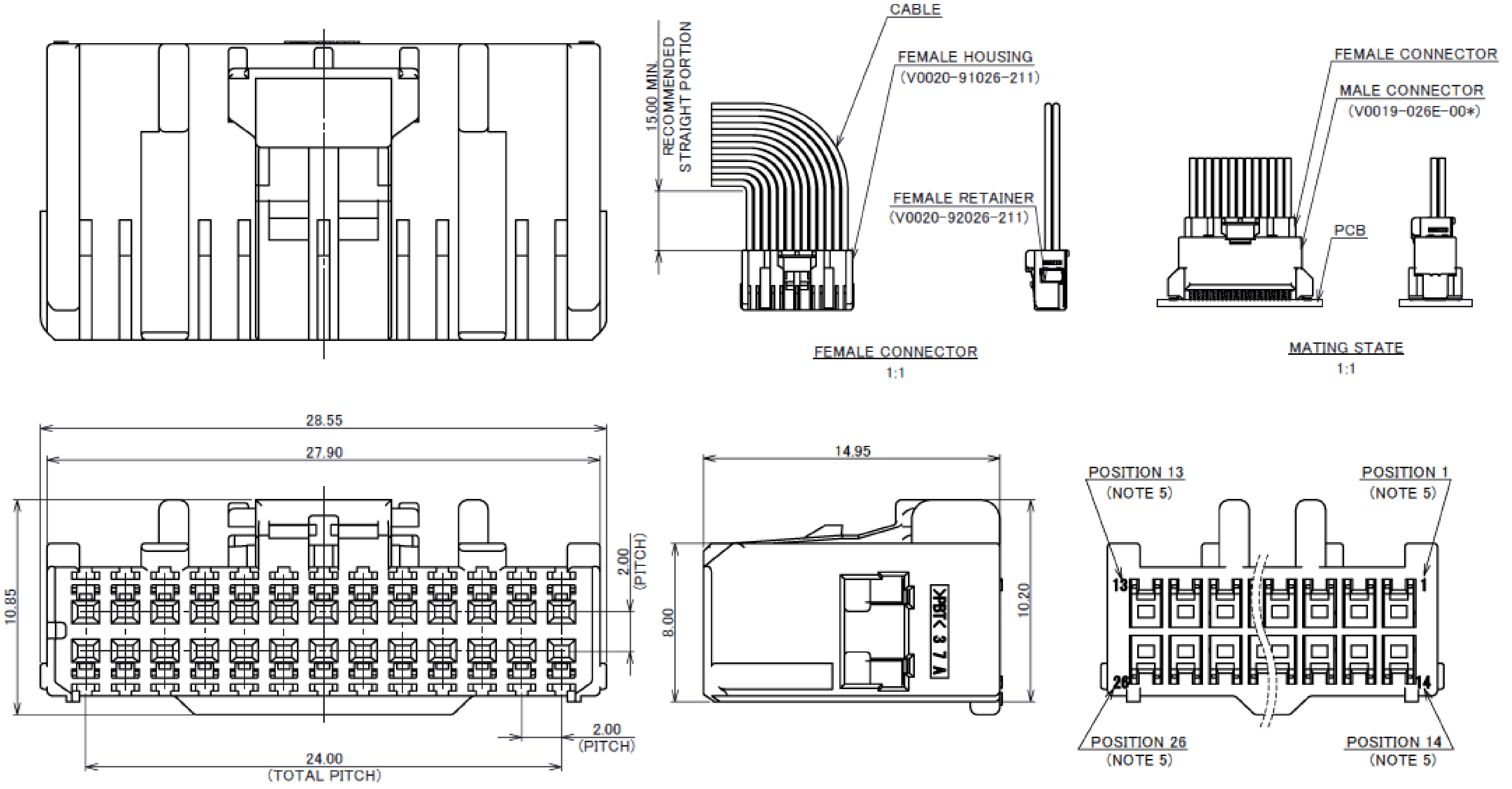
NO.	DESCRIPTION	MATERIAL	FINISH/COLOR/REMARKS
1	FEMALE HOUSING	PBT	BLACK

- NOTES
- APPLICABLE PART NO.:  
 - FEMALE TERMINAL --- VT009-02  
 - FEMALE RETAINER --- V0020-92020-211
  - MATERIAL: PBT
  - COMPLY WITH ELV/REHS.
  - HANDLE OF PRODUCT IN COMPLIANCE WITH HANDLING MANUAL [HDM-0020]
  - POSITION NUMBERS ARE INDICATED.

Rev.0

# ISH® (Vertical Type) FEMALE (26P):

PART NO.
V0020-91026-211



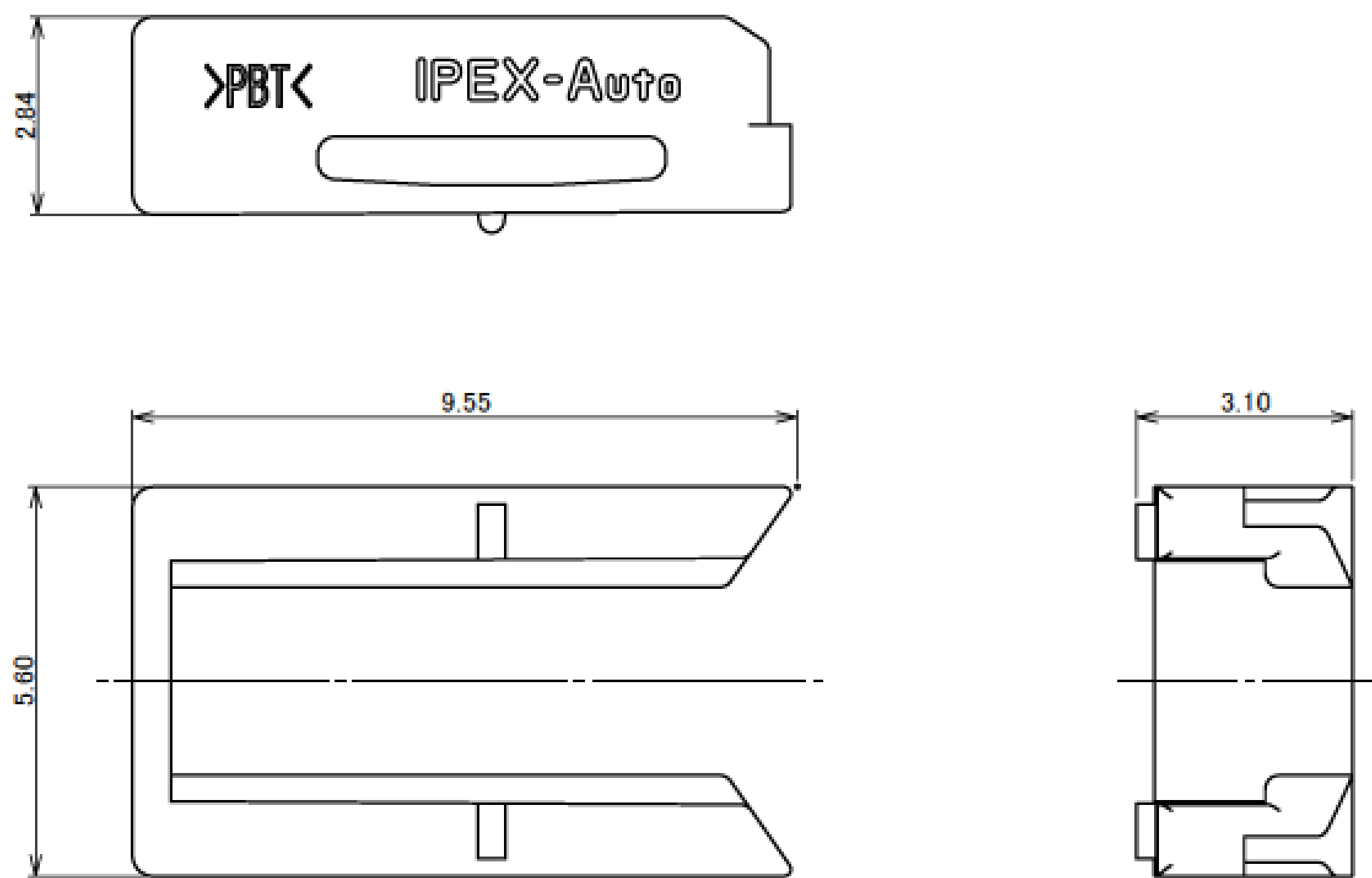
1	FEMALE HOUSING	PBT	BLACK
NO.	DESCRIPTION	MATERIAL	FINISH/COLOR/REMARKS

- NOTES
- 1.APPLICABLE PART NO.:  
- FEMALE TERMINAL --- VT009-02  
- FEMALE RETAINER --- V0020-92026-211
  - 2.MATERIAL: PBT
  - 3.COMPLY WITH ELV/RoHS.
  - 4.HANDLE OF PRODUCT IN COMPLIANCE WITH HANDLING MANUAL [HDM-0020]
  - 5.POSITION NUMBERS ARE INDICATED.

Rev.0

# ISH® (Vertical Type) FEMALE RETAINER (8P) ※ISHV :

PART NO.
V0116-92008-01



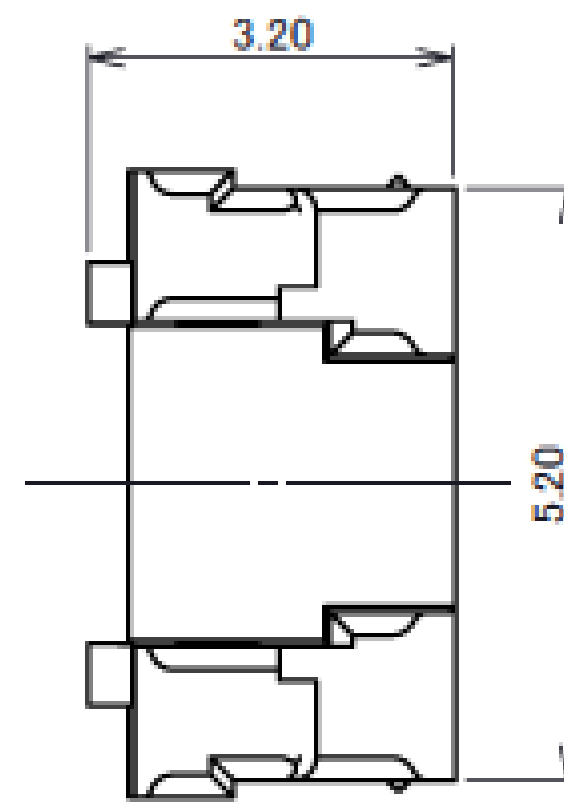
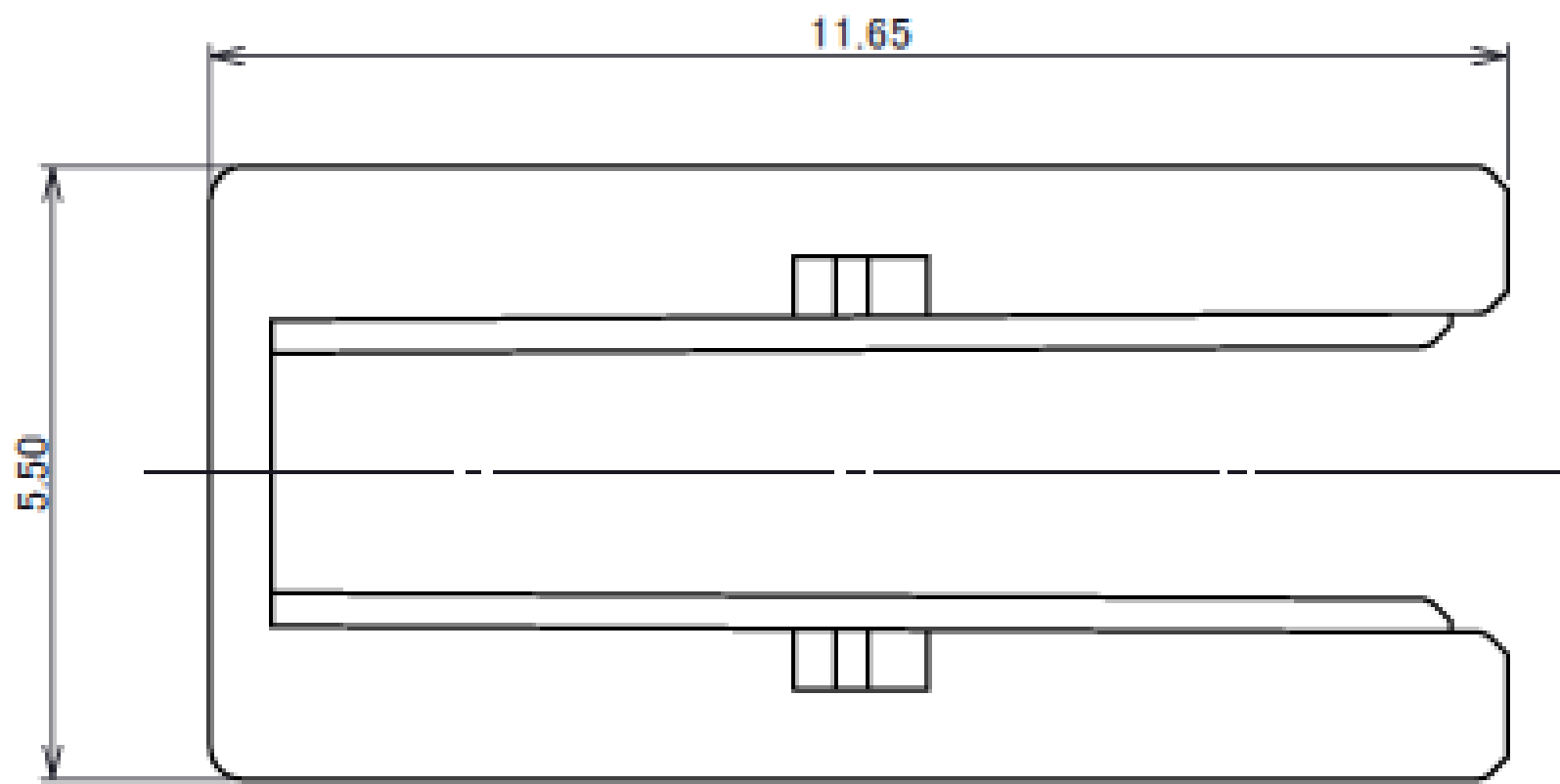
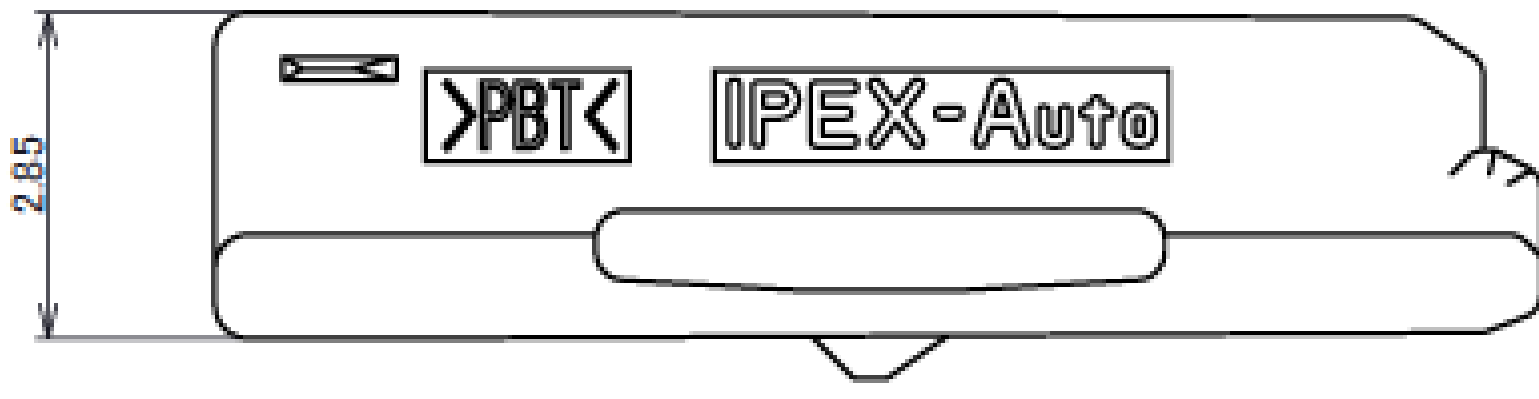
- NOTES
- 1.APPLICABLE PART NO.:  
- FEMALE HOUSING --- V0116-91008-\*\*  
V0027-91008-211
  - 2.MATERIAL: PBT
  - 3.COMPLY WITH ELV/RoHS.
  - 4.HANDLE OF PRODUCT IN COMPLIANCE WITH HANDLING MANUAL [HDM-0020]

1	FEMALE RETAINER	PBT	BLACK
NO.	DESCRIPTION	MATERIAL	FINISH/COLOR/REMARKS

Rev.0

# ISH® (Vertical Type) FEMALE RETAINER (10P):

PART NO.
V0020-92010-211



**NOTES**

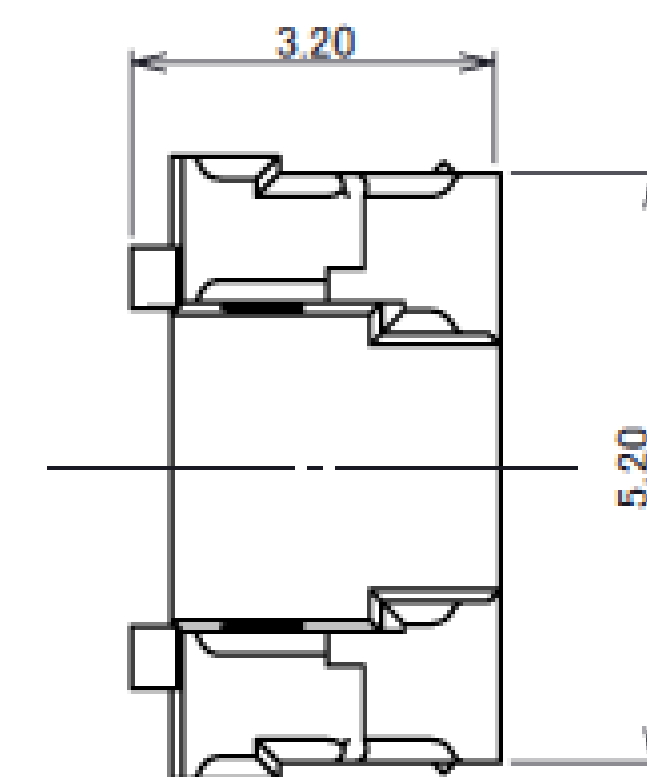
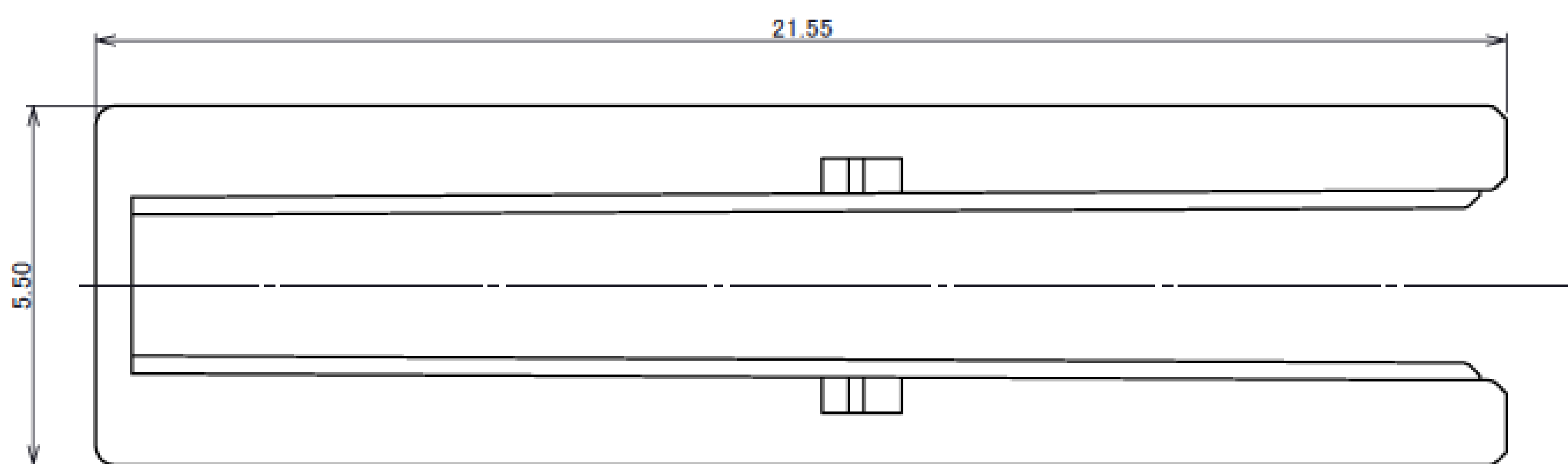
1. APPLICABLE PART NO.:  
- FEMALE HOUSING - V0020-91010-211
2. MATERIAL: PBT
3. COMPLY WITH ELV/RoHS.
4. HANDLE OF PRODUCT IN COMPLIANCE WITH HANDLING MANUAL [HDM-0020]

1	FEMALE RETAINER	PBT	BLACK
NO.	DESCRIPTION	MATERIAL	FINISH/COLOR/REMARKS

Rev.0

# ISH® (Vertical Type) FEMALE RETAINER (20P):

PART NO.
V0020-92020-211



**NOTES**

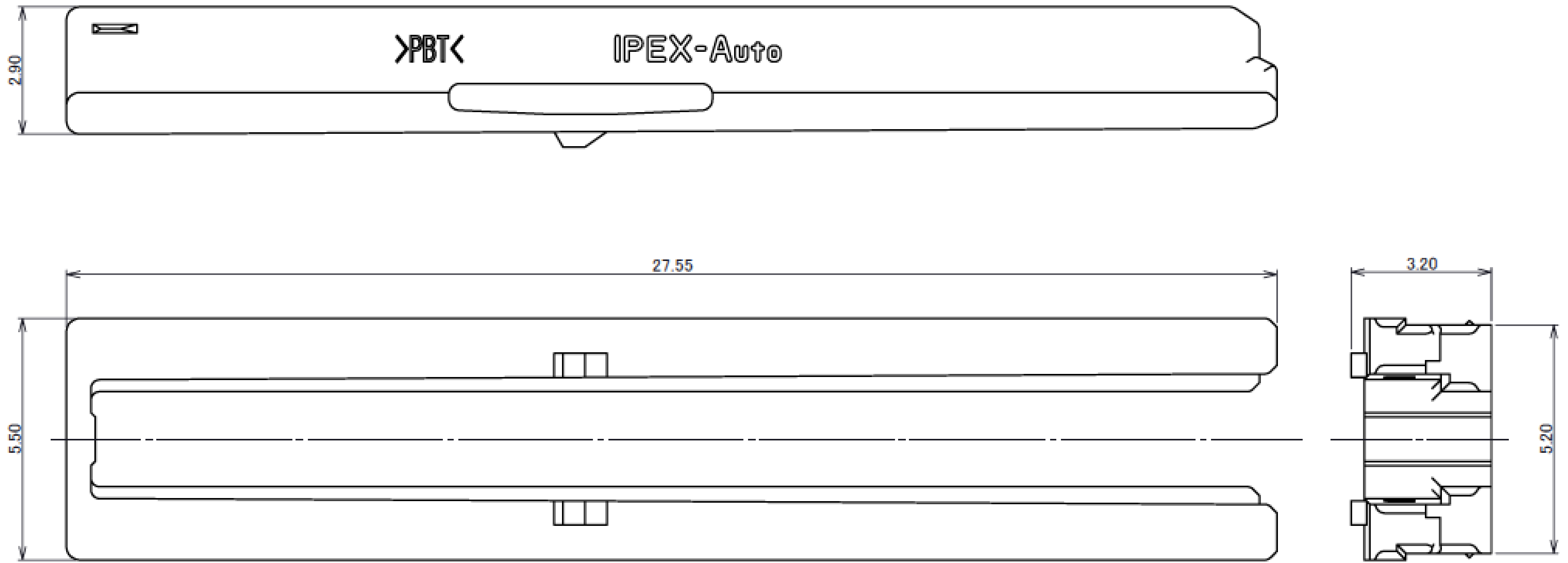
1. APPLICABLE PART NO.:  
- FEMALE HOUSING - V0020-91020-211
2. MATERIAL: PBT
3. COMPLY WITH ELV/RoHS.
4. HANDLE OF PRODUCT IN COMPLIANCE WITH HANDLING MANUAL [HDM-0020]

1	FEMALE RETAINER	PBT	BLACK
NO.	DESCRIPTION	MATERIAL	FINISH/COLOR/REMARKS

Rev.0

# ISH® (Vertical Type) FEMALE RETAINER (26P):

PART NO.
V0020-92026-211



## NOTES

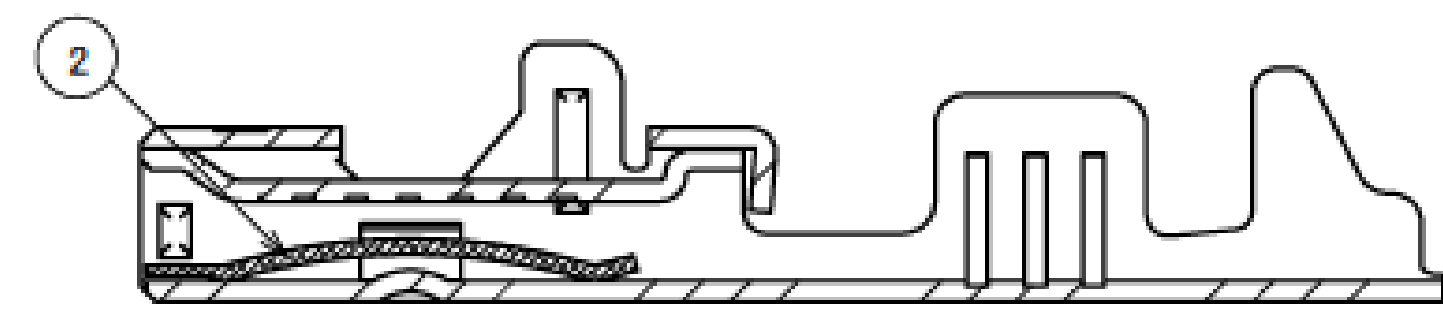
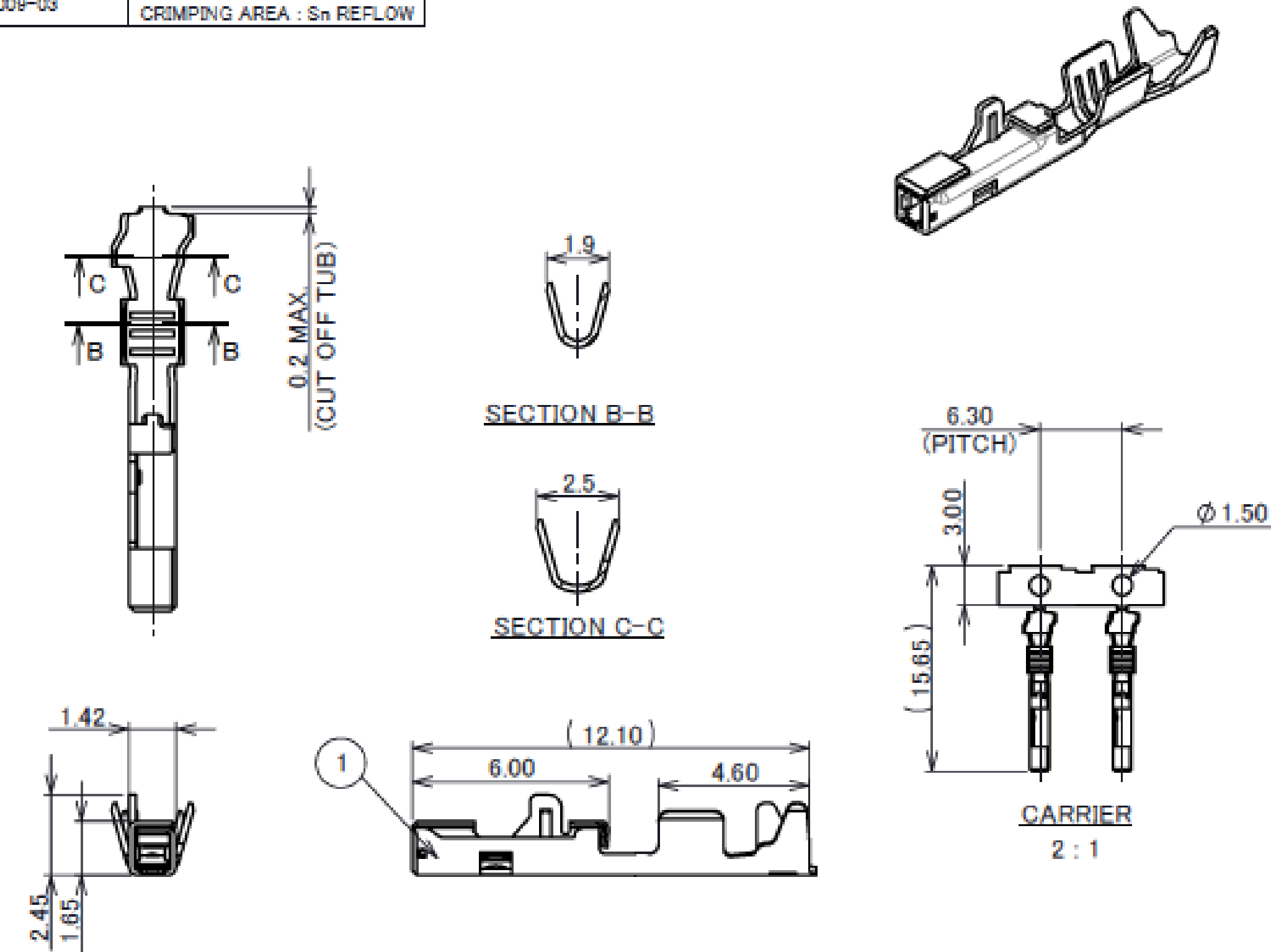
1. APPLICABLE PART NO.:  
\*FEMALE HOUSING\* V0020-91026-211
2. MATERIAL: PBT
3. COMPLY WITH ELV/RoHS
4. HANDLE OF PRODUCT IN COMPLIANCE WITH HANDLING MANUAL [HDM-0020]

NO.	DESCRIPTION	MATERIAL	FINISH/COLOR/REMARKS
1	FEMALE RETAINER	PBT	BLACK

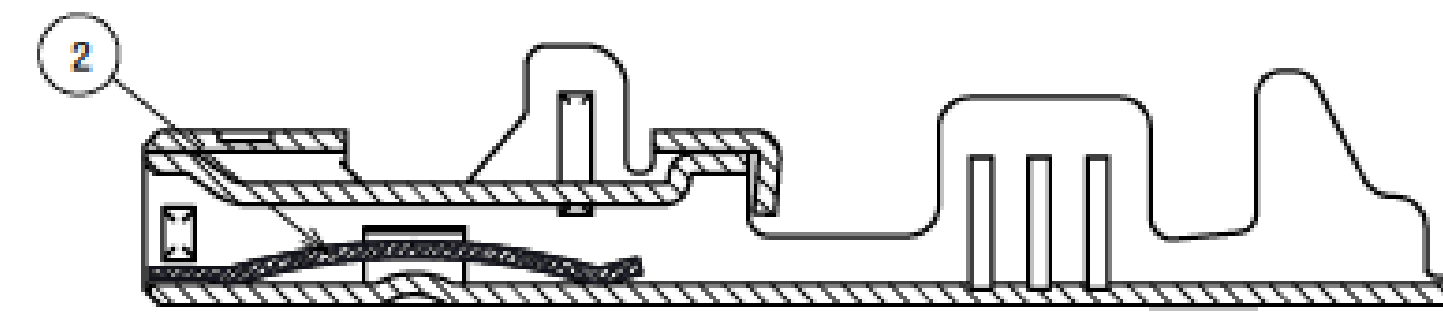
Rev.0

# ISH® (Vertical Type) TERMINAL:

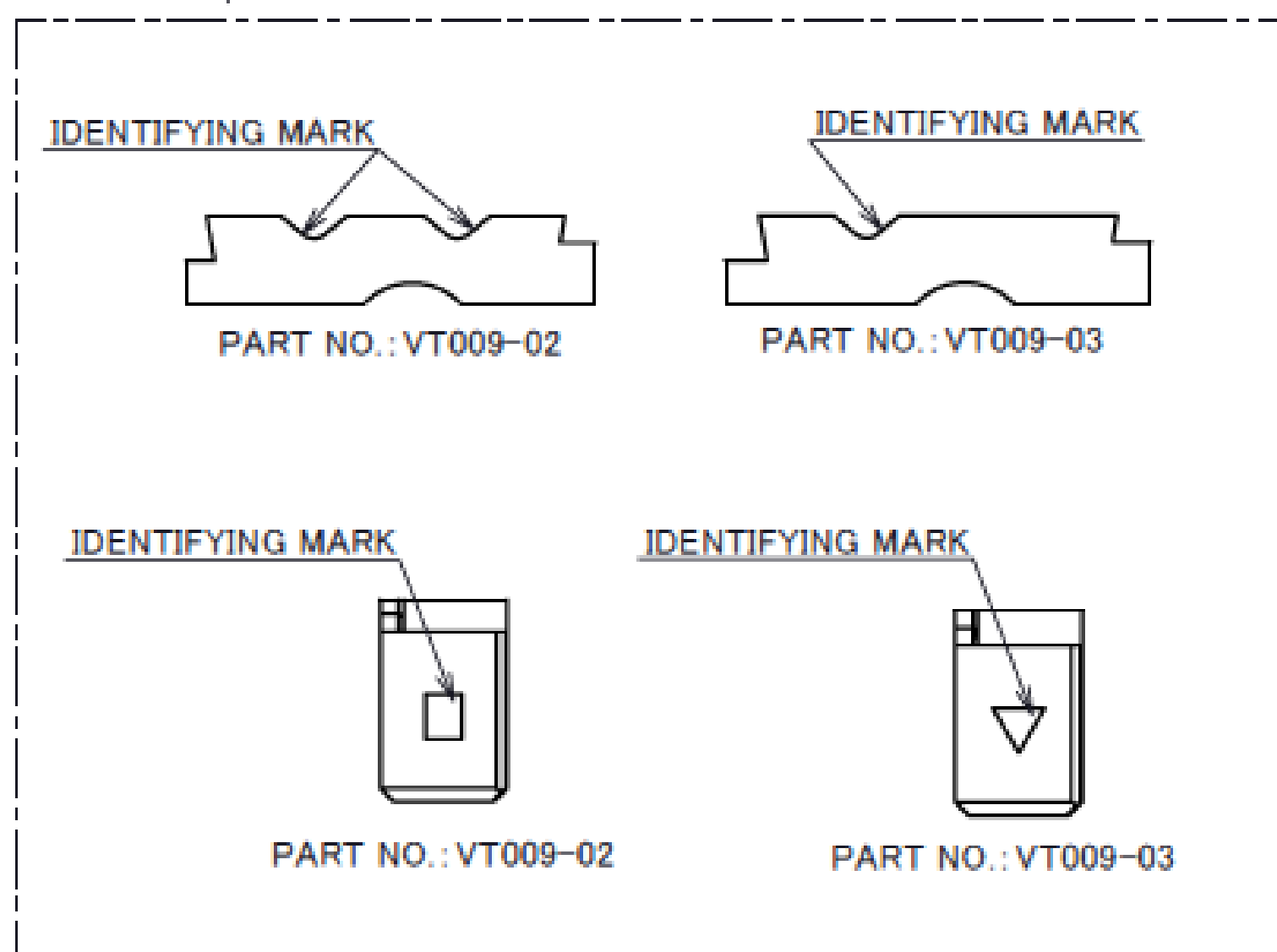
PART NO.	PLATING
VT009-02	Sn REFLOW
VT009-03	CONTACT AREA : Au PLATING CRIMPING AREA : Sn REFLOW



PART NO.: VT009-02



PART NO.: VT009-03  
SECTION A-A  
10 : 1



## NOTE

1. APPLICABLE FEMALE HOUSING: ISH CONNECTOR SERIES
2. APPLICABLE CABLE SIZE: 0.3mm<sup>2</sup> / 0.5mm<sup>2</sup> (FINISHED  $\phi$  1.60mm MAX.)
3. COMPLY WITH ELV/RoHS.
4. TERMINAL CRIMP SPECIFICATION MUST BE COMPLIANT WITH HANDLING MANUAL [HDM-0020].

2	SPRING	COPPER ALLOY	VT009-02 PLATING : Sn REFLOW VT009-03 PLATING : Au PLATING
1	BODY	BRASS	VT009-02 PLATING : Sn REFLOW VT009-03 PLATING : Au PLATING CONTACT AREA : Au PLATING CRIMPING AREA : Sn REFLOW
NO.	DESCRIPTION	MATERIAL	FINISH/COLOR/REMARKS

Rev.0



# Custom Products Available

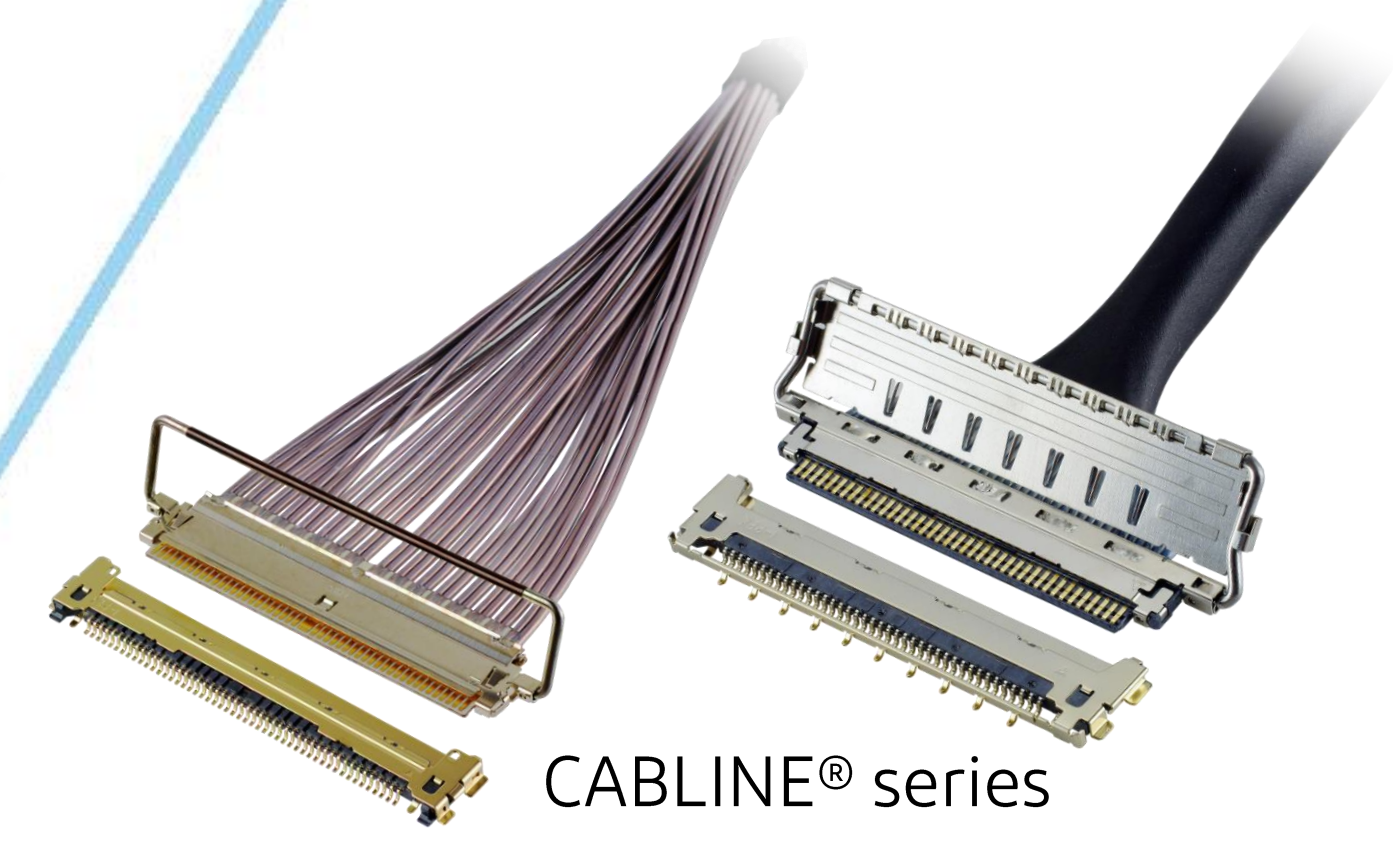
## RF Connector

MHF® series



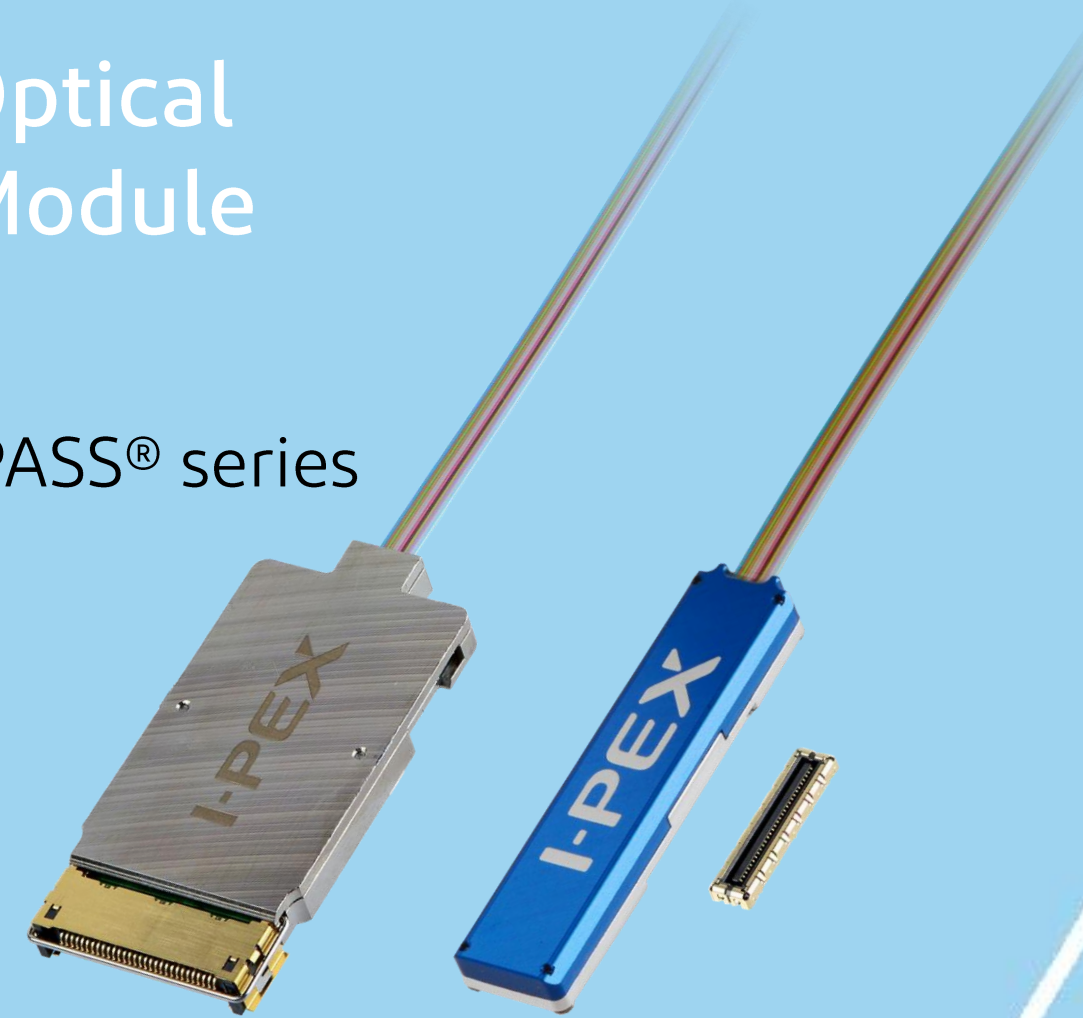
## Micro-coaxial/Twinax/Discrete Wire Connector

CABLIN® series

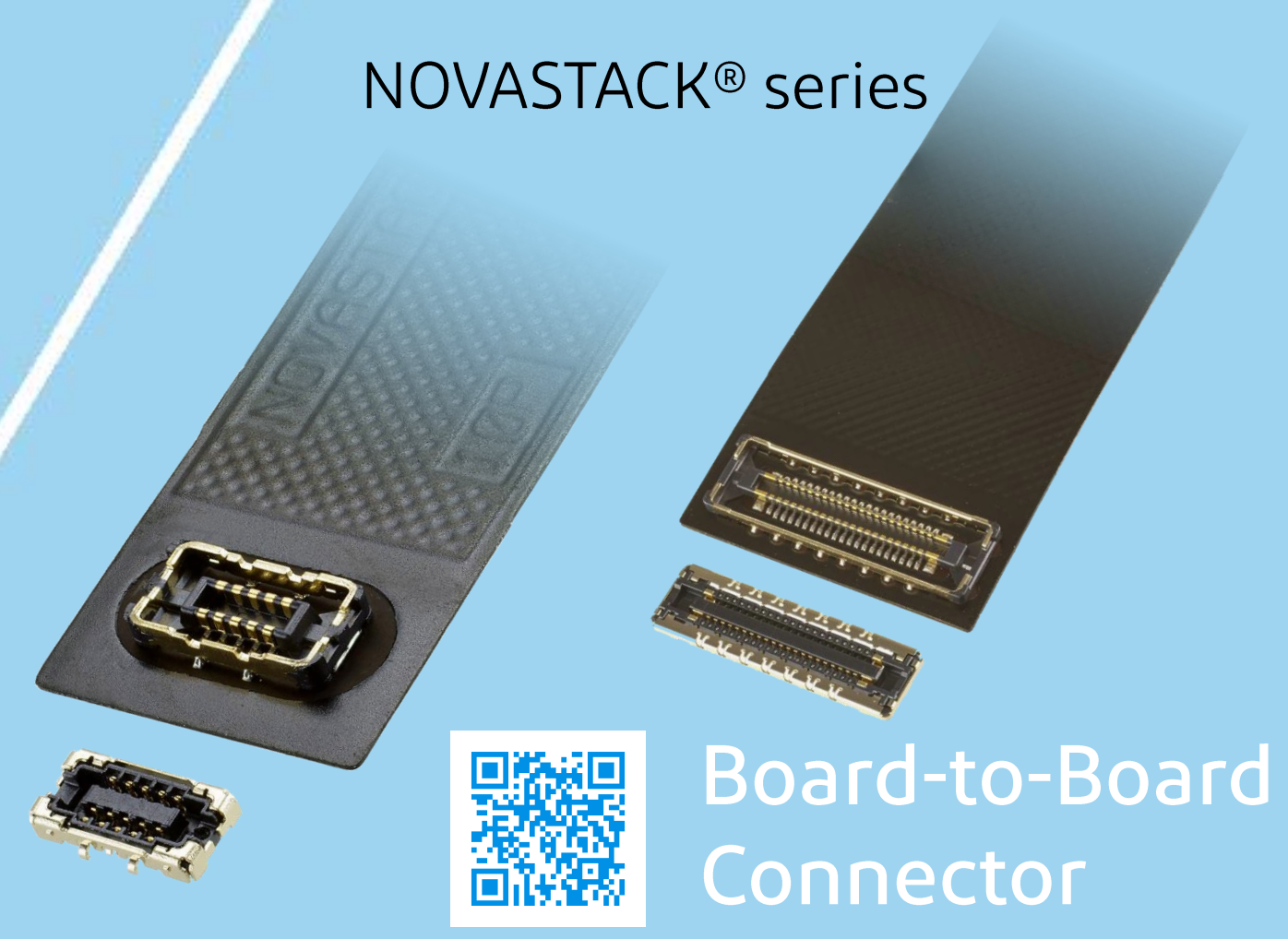


## Optical Module

LIGHTPASS® series



NOVASTACK® series



## Board-to-Board Connector



## Power Connector/Terminal

AP series

ISH® series



MINIFLEX® series

EVAFLEX® series



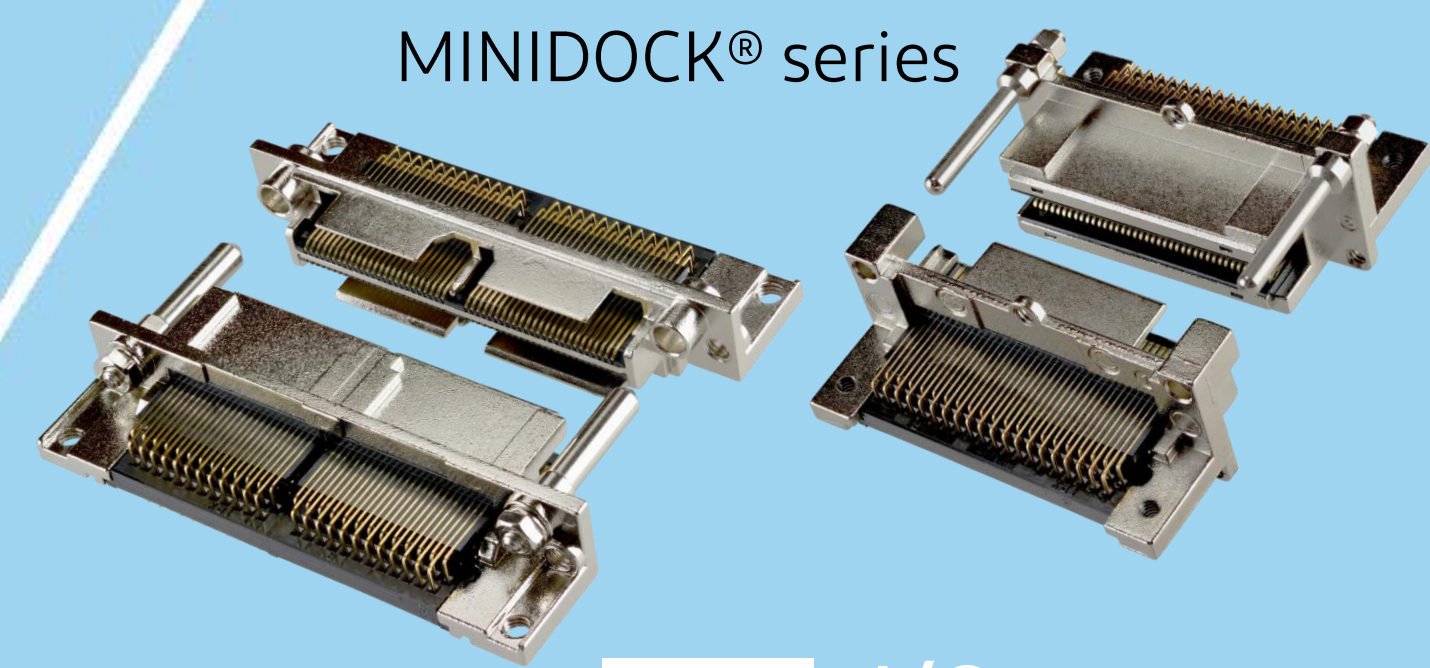
## FPC FFC Connector



Inquiry



MINIDOCK® series



## I/O Connector

I-PEX, MHF, CABLINE, LIGHTPASS, NOVASTACK, ISH, IARPB, MINIFLEX, EVAFLEX, MINIDOCKS and ZenShield are registered trademarks of I-PEX Inc. Please note that the contents in the catalog might be changed without prior notification. I-PEX Inc. assumes no responsibility for any inaccuracies or obligation to update information on these documents. Please be sure to read and understand the latest "Precautions for Use" and "Instruction Manual" before you use our products. We shall not be responsible for any defects, damages or troubles in case you use our products without following the precautions for use. Please feel free to contact our sales representatives when you use our products for any applications that require very high reliability and safety, or that relate to human life (ex. nuclear power control, aerospace, transportation, medical equipment, safety equipment etc.).

Contact your sales representative or more detailed information.

[www.i-pex.com](http://www.i-pex.com)



# I-PEX

© I-PEX Inc. 2024  
All rights reserved