

ISH[®] (Horizontal Type-Hybrid)

耐熱, 耐振, 混用 (信號+電力) 端子

Product Specifications:		Signal	Power
Pitch (mm max.)		2.0	
Contact Size (mm)		0.5 × 0.4 (020)	1.5 × 0.64 (060)
Mated Height (mm max.)		13.6	
Width formula (mm)		13.0+1.0*pin	
Operating Temperature		-40 - 125°C	
Vibration Resistance		10G	
Current Rating		4.5A per pin	7.0A per pin
Voltage Rating		100V	
Withstand Voltage		AC 1000V/minute	
Plating		Sn	
Housing		Male:glass-filled LCP, Female:PBT	
Pin counts	Range	Up to 40	
	Available	20, 28	

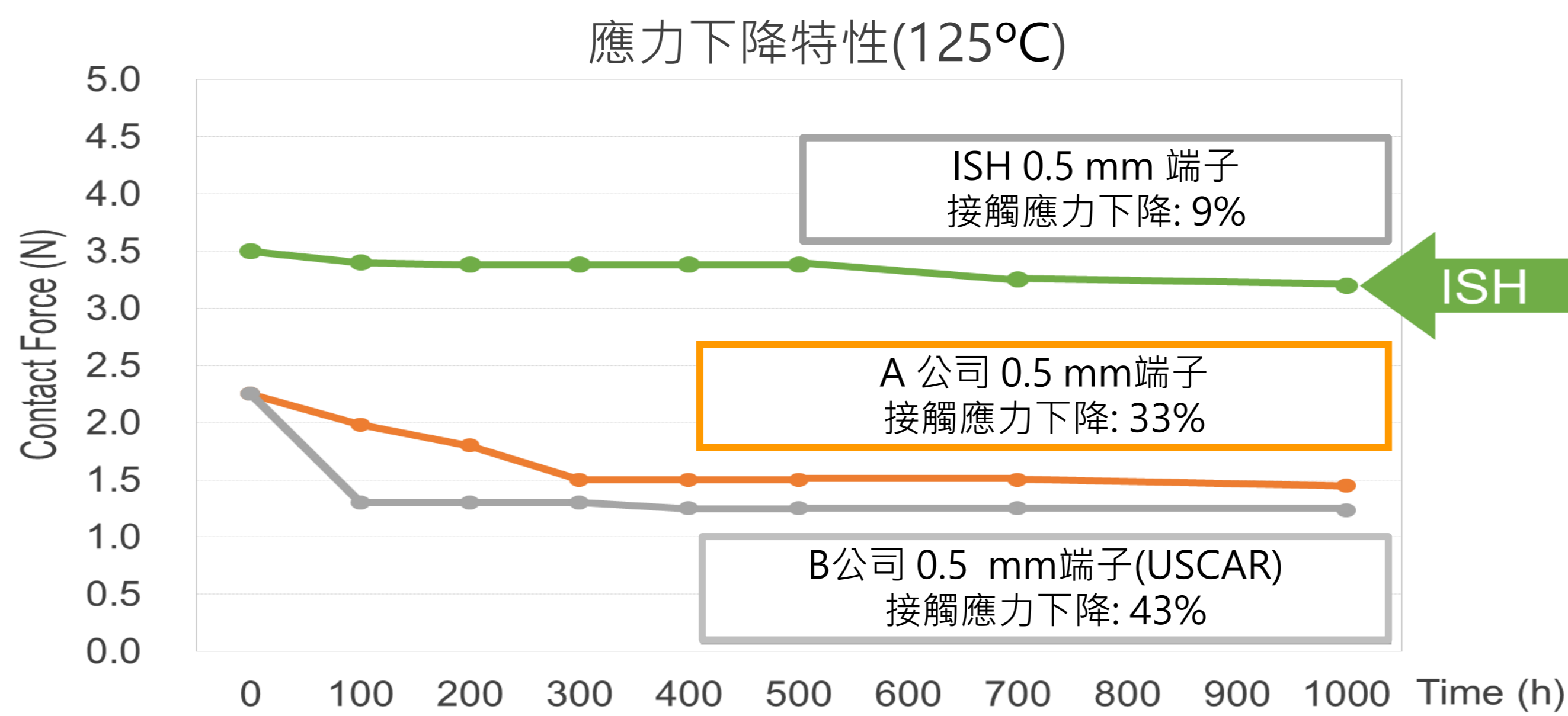
Applicable Cable Size:

Signal: AWG#22,#20
*Insulation Diameter 1.6 mm max.
Power: AWG#20
*Insulation Diameter 1.9 mm max.

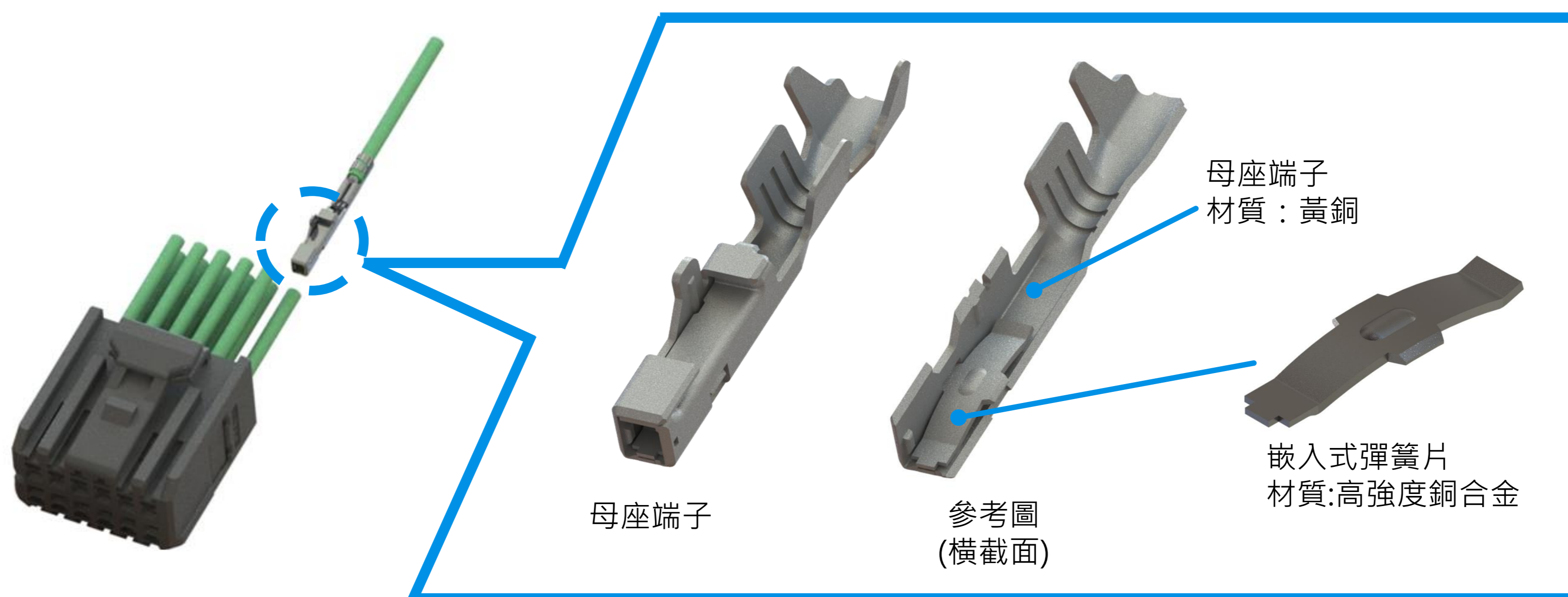
*如您需要瞭解未列出或不在範圍內的Pin數，請諮詢我們



▶ 高耐熱性和抗振動性, 適用於高接觸可靠性應用



▶ 獨特的嵌入式彈簧接線端子, 提供長期穩定的電氣連接



▶ 適用車規及工業級別的行業應用



- 汽車大燈控制單元
- 逆變器和 DC/DC 轉換器
- 電池控制模組
- 後視鏡攝像模組
- 車載娛樂設施
- 機械設備
- 工廠自動化設備等

適用於高溫應用

Component Parts Details

ISH® (Horizontal Type-Hybrid) MALE (20P):

PART NO.	KEY CODING
V0123-020E-01	KEY CODING - A
V0123-020E-11	KEY CODING - B

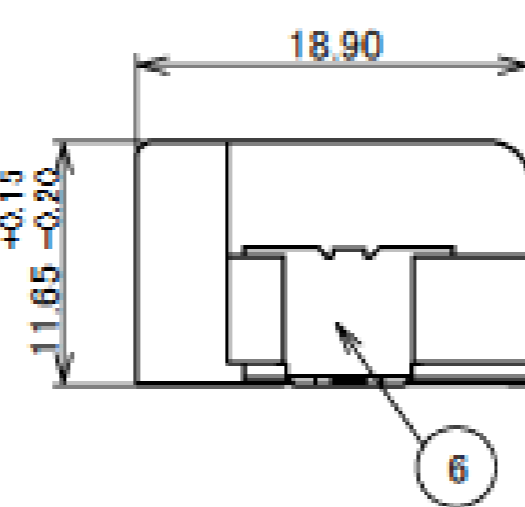
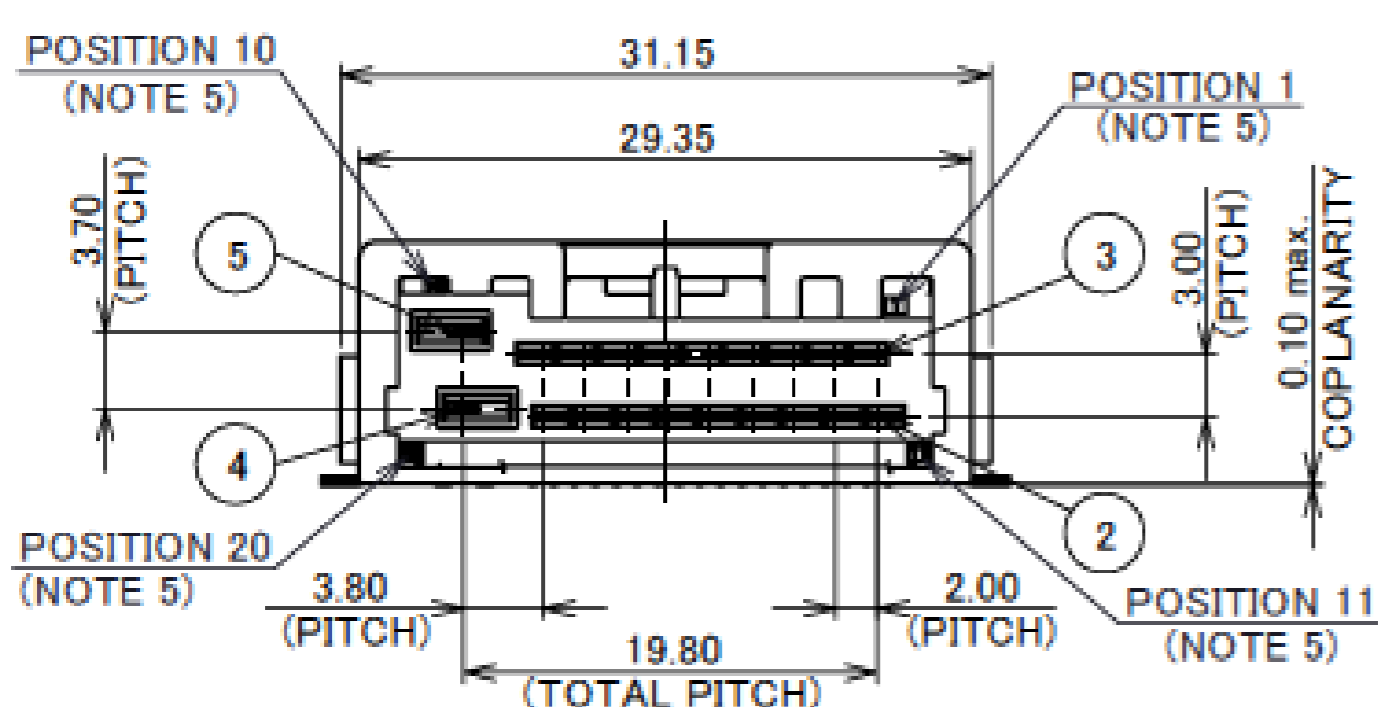
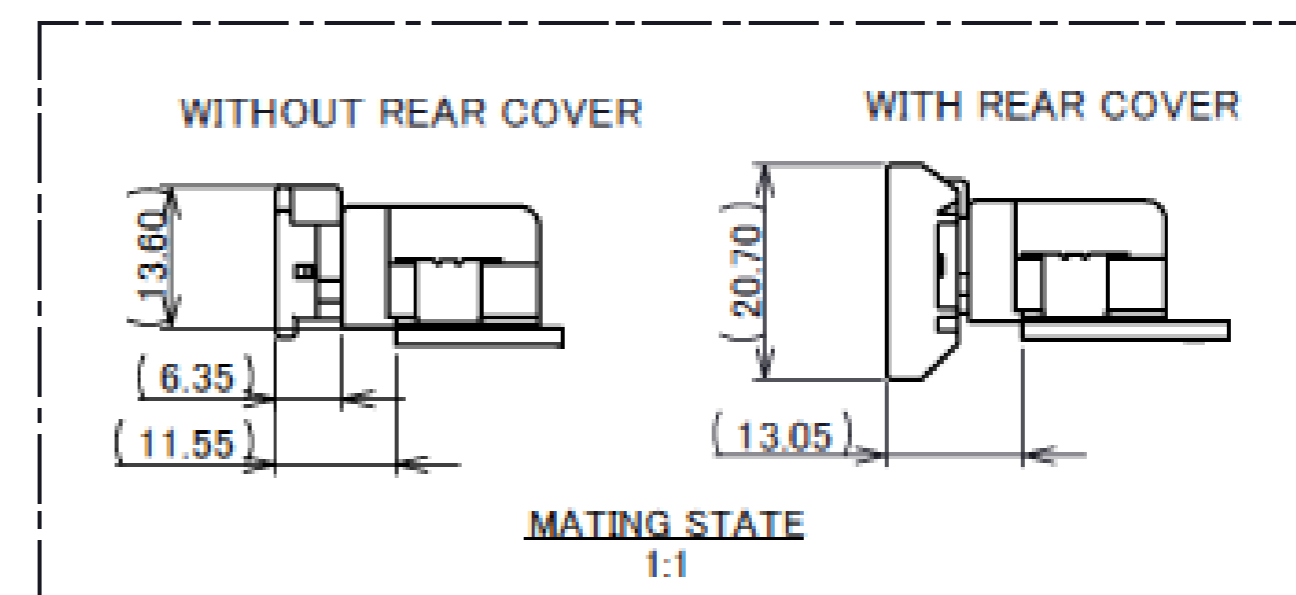
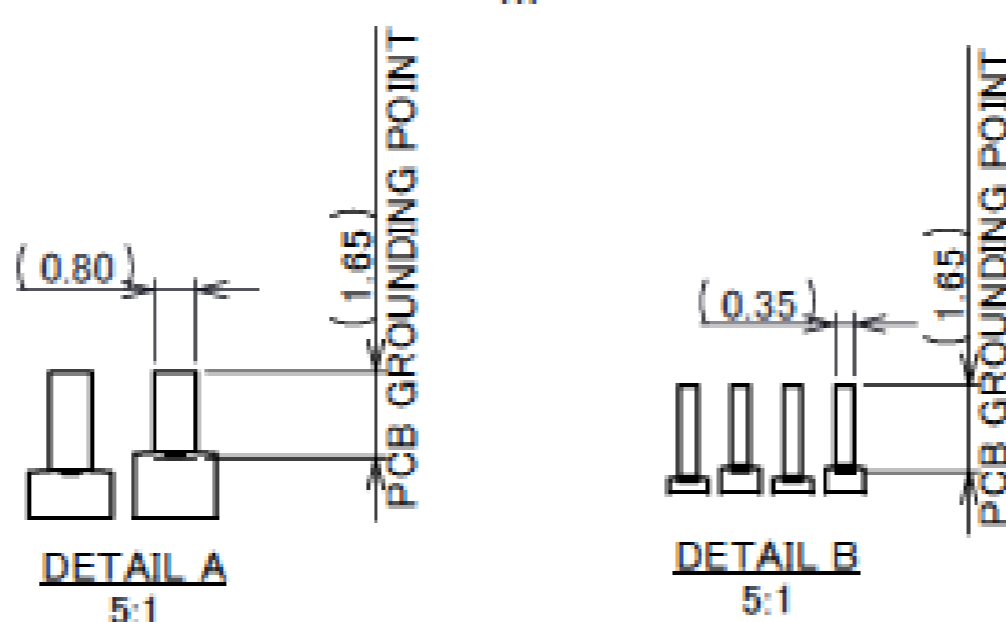
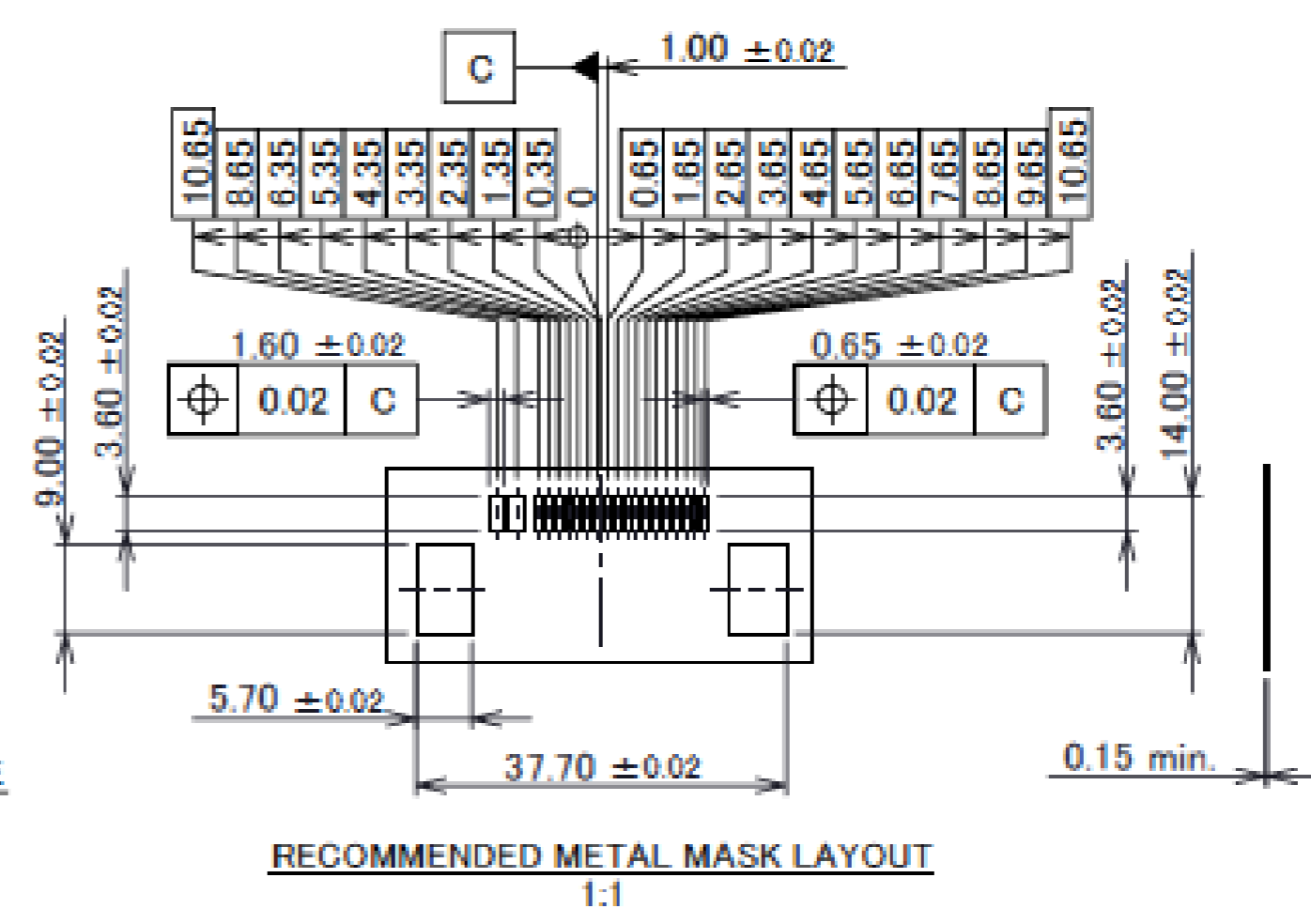
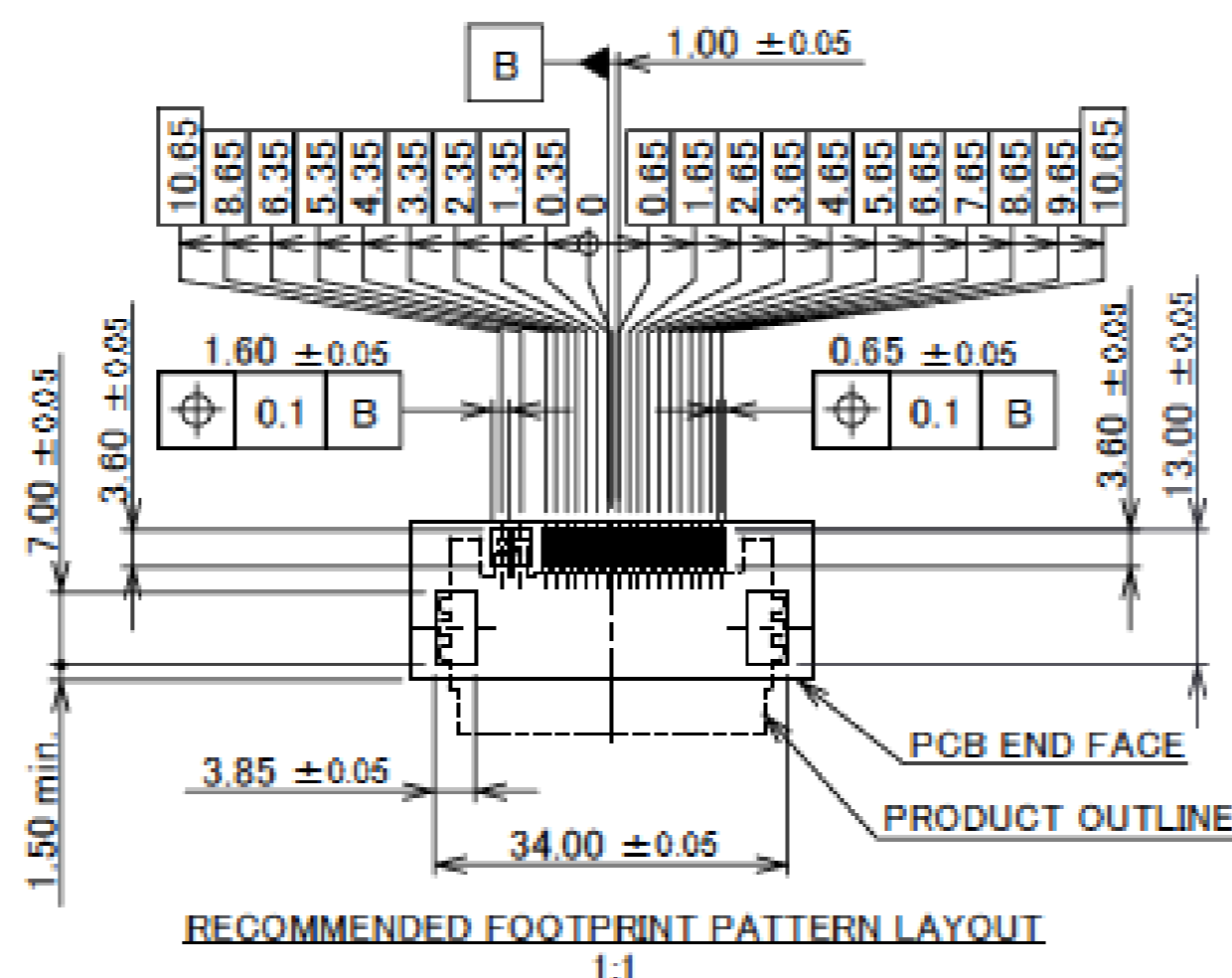
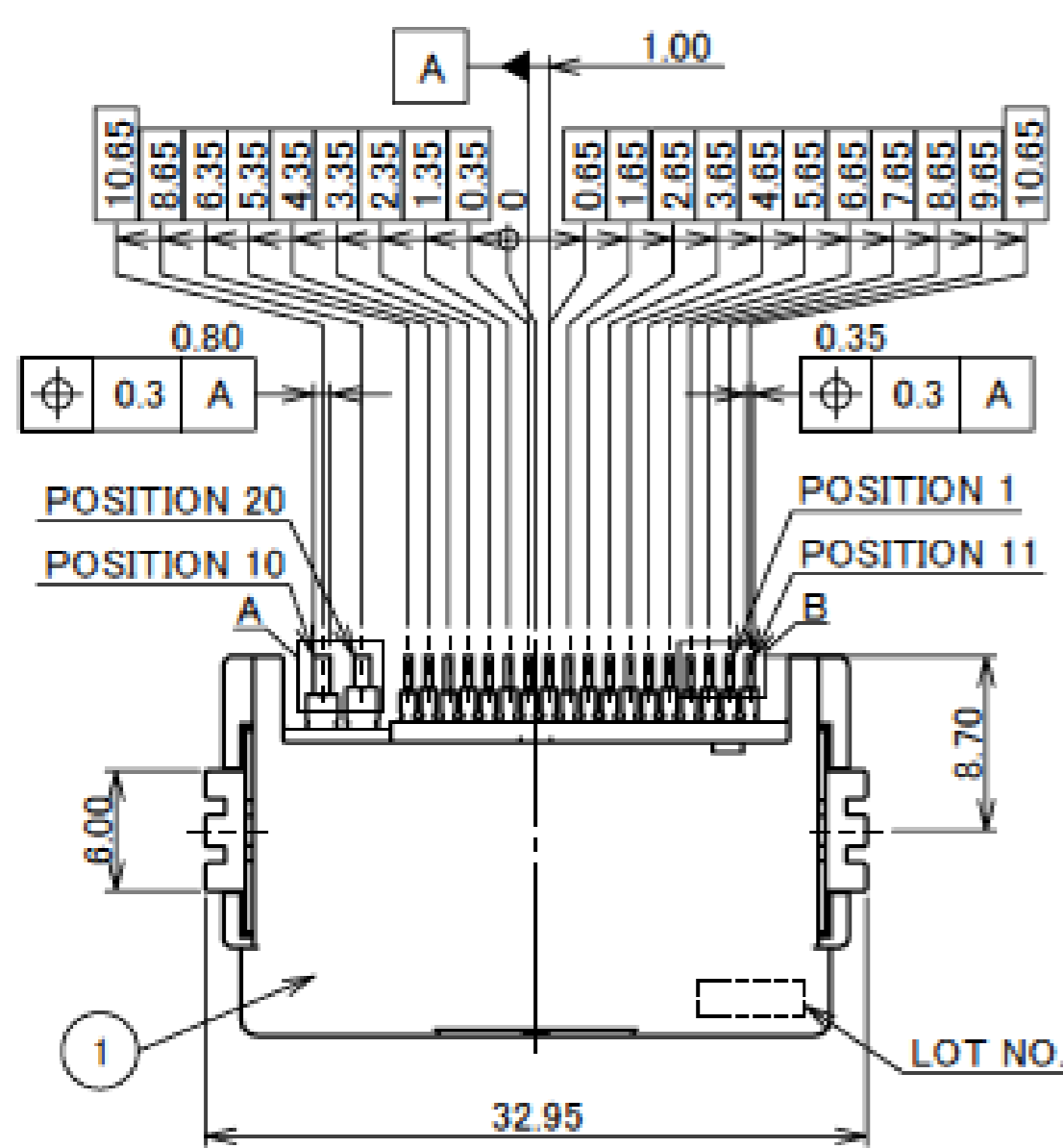


TABLE 1. COUNTERPARTS FOR MATING

MALE CONNECTOR		FEMALE CONNECTOR		FEMALE TERMINAL		REAR COVER		
KEY CODING	PART NO.	COLOR	PART NO.	COLOR	PART NO.	FINISH	PART NO.	FINISH
KEY CODING-A	V0123-020E-01	BLACK	V0124-020B-01	BLACK	VT009-02 & VT011-02	Sn REFLOW	V0124-84020-01	BLACK
KEY CODING-B	V0123-020E-11	NATURAL	V0124-020B-11	NATURAL				

NO.	DESCRIPTION	MATERIAL	FINISH/COLOR/REMARKS
6	HOLD DOWN	BRASS	Sn REFLOW
5	1.5mm MALE TERMINAL-2	BRASS	Sn REFLOW
4	1.5mm MALE TERMINAL-1	BRASS	Sn REFLOW
3	0.5mm MALE TERMINAL-2	BRASS	Sn REFLOW
2	0.5mm MALE TERMINAL-1	BRASS	Sn REFLOW
1	MALE HOUSING	GLASS-FILLED LCP	BLACK OR NATURAL /UL94V-0

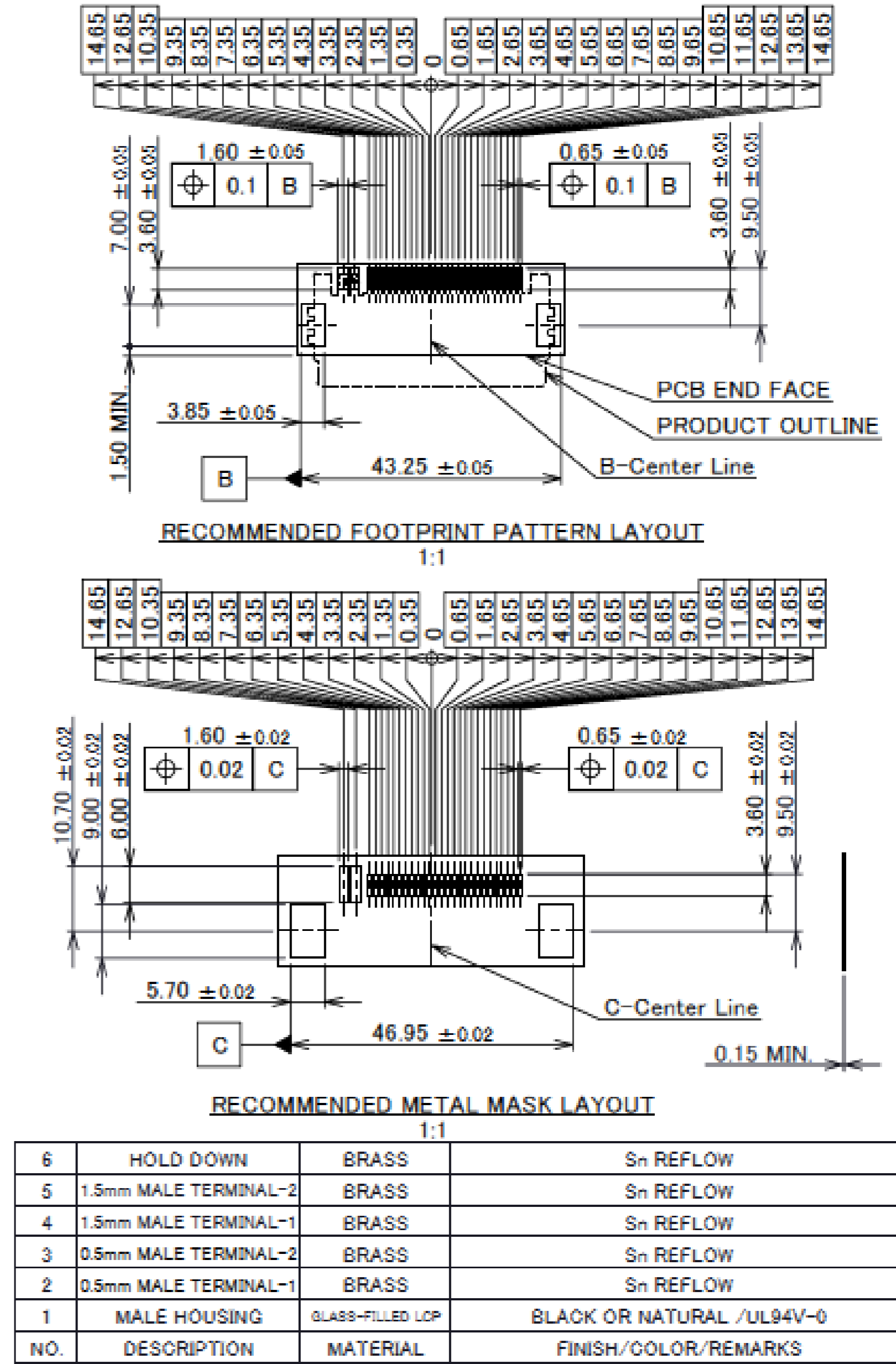
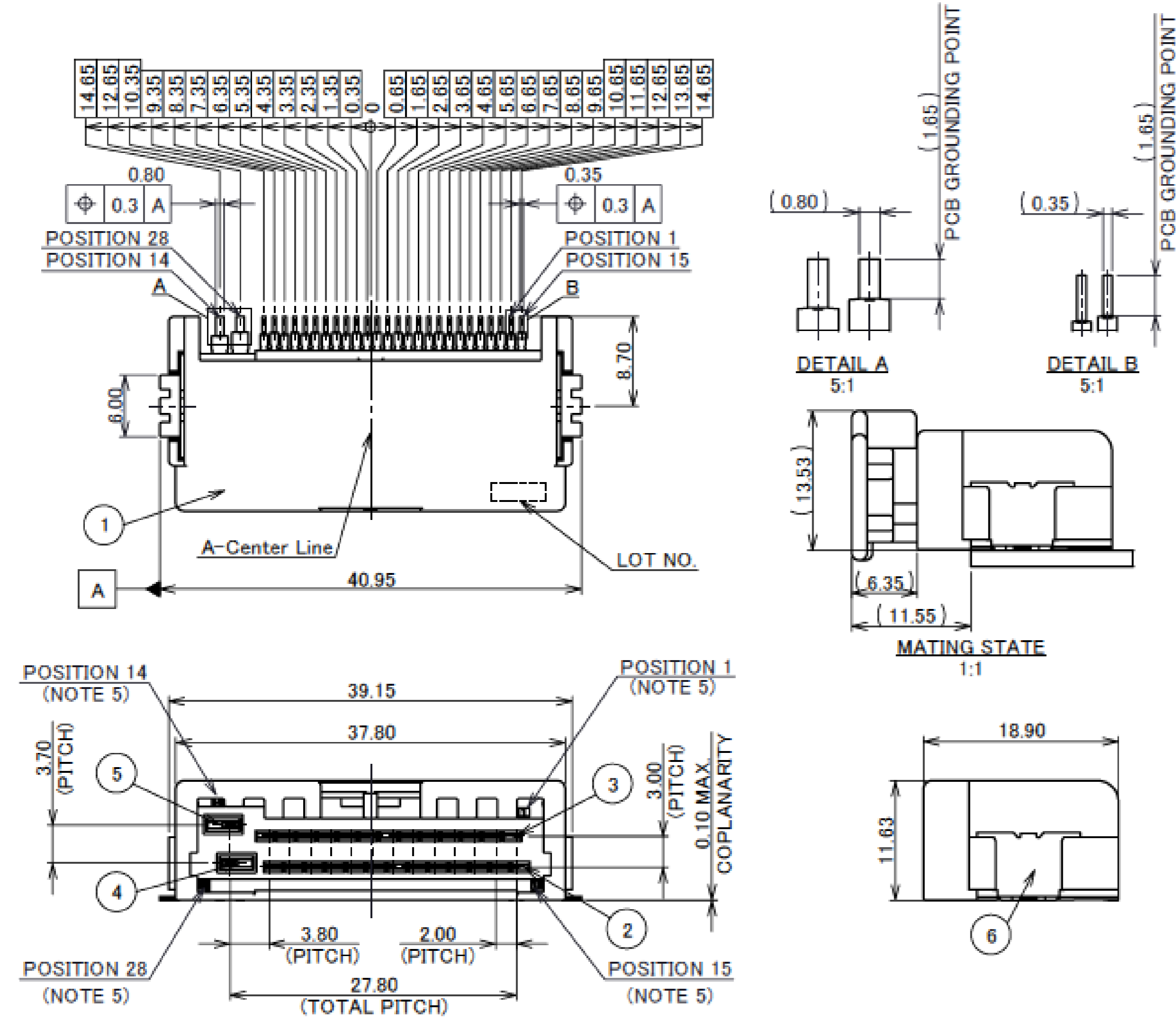
KEY CODING - A
PART NO.: V0123-020E-01

KEY CODING - B
PART NO.: V0123-020E-11

- NOTES
1. APPLICABLE PART NO. ARE SHOWN IN TABLE 1.
 2. COMPLY WITH ELV/ROHS
 3. HANDLE OF PRODUCT IN COMPLIANCE WITH HANDLING MANUAL [HDM-0021]
 4. USE METAL MASK WHICH HAS A THICKNESS OF 0.15mm MIN. WHEN THE MALE CONNECTOR IS MOUNTED ON THE PCB.
 5. POSITION NUMBERS ARE INDICATED.

ISH® (Horizontal Type-Hybrid) MALE (28P):

MALE CONNECTOR			FEMALE CONNECTOR		FEMALE TERMINAL	
KEY CODING	PART NO.	COLOR	PART NO.	COLOR	PART NO.	FINISH
-	V0123-0238-01	BLACK	V0124-0238-01	BLACK	VT009-02 & VT011-02	Sn REFLOW

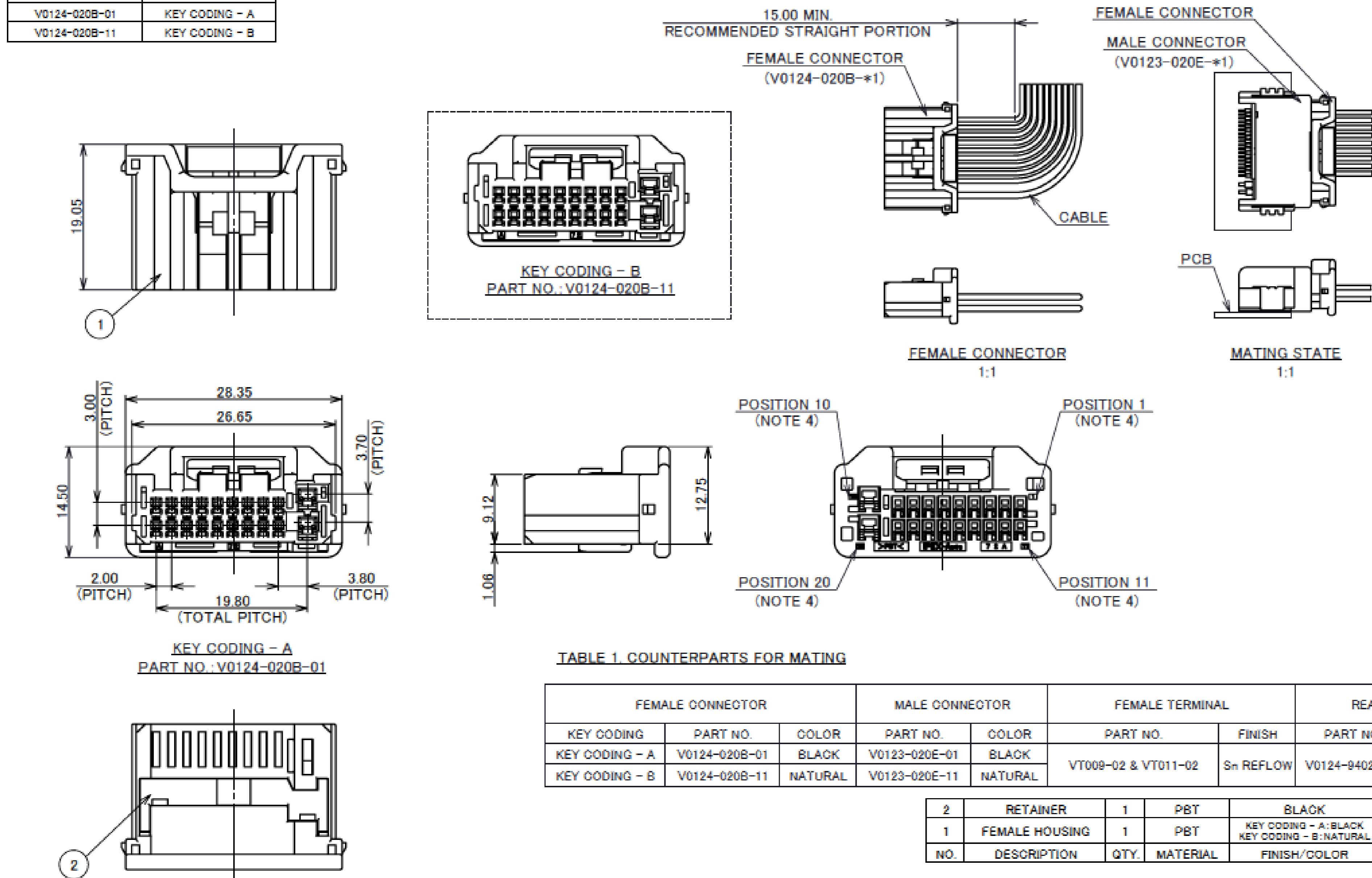


- NOTES**
1. APPLICABLE PART NO. ARE SHOWN IN TABLE 1.
 2. COMPLY WITH ELV/RoHS
 3. HANDLE OF PRODUCT IN COMPLIANCE WITH HANDLING MANUAL [HDM-0021]
 4. USE METAL MASK WHICH HAS A THICKNESS OF 0.15mm MIN. WHEN THE MALE CONNECTOR IS MOUNTED ON THE PCB.
 5. POSITION NUMBERS ARE INDICATED.

Rev.0

ISH® (Horizontal Type-Hybrid) FEMALE (20P):

PART NO.	KEY CODING
V0124-020B-01	KEY CODING - A
V0124-020B-11	KEY CODING - B



- NOTE**
1. APPLICABLE MALE CONNECTOR PARTS NO. ARE SHOWN IN TABLE 1.
 2. COMPLY WITH ELV/RoHS
 3. HANDLE OF PRODUCT IN COMPLIANCE WITH HANDLING MANUAL [HDM-0021]
 4. POSITION NUMBERS ARE INDICATED.

Rev.0

ISH® (Horizontal Type-Hybrid) FEMALE (28P):

PART NO.
V0124-028B-02

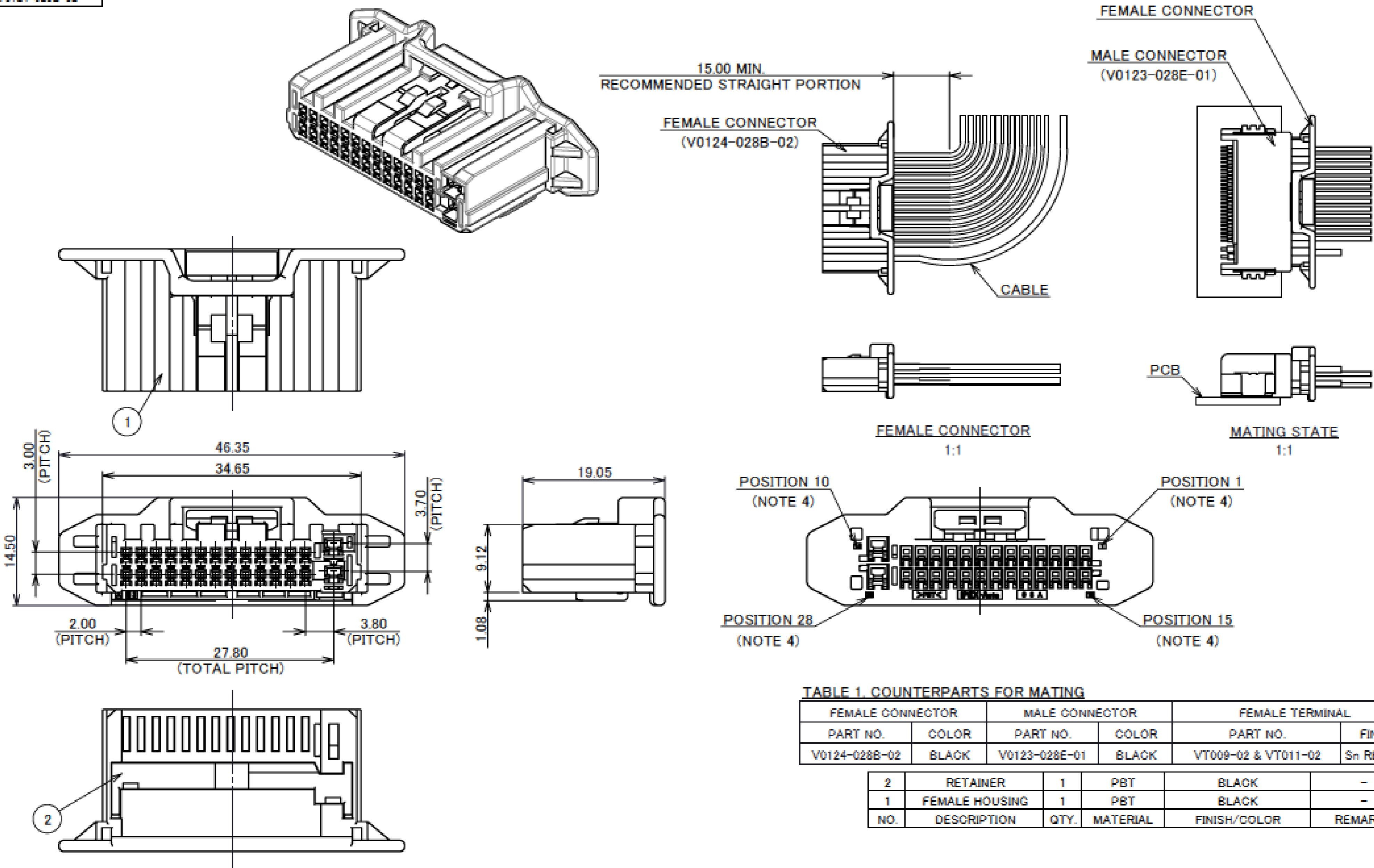


TABLE 1. COUNTERPARTS FOR MATING

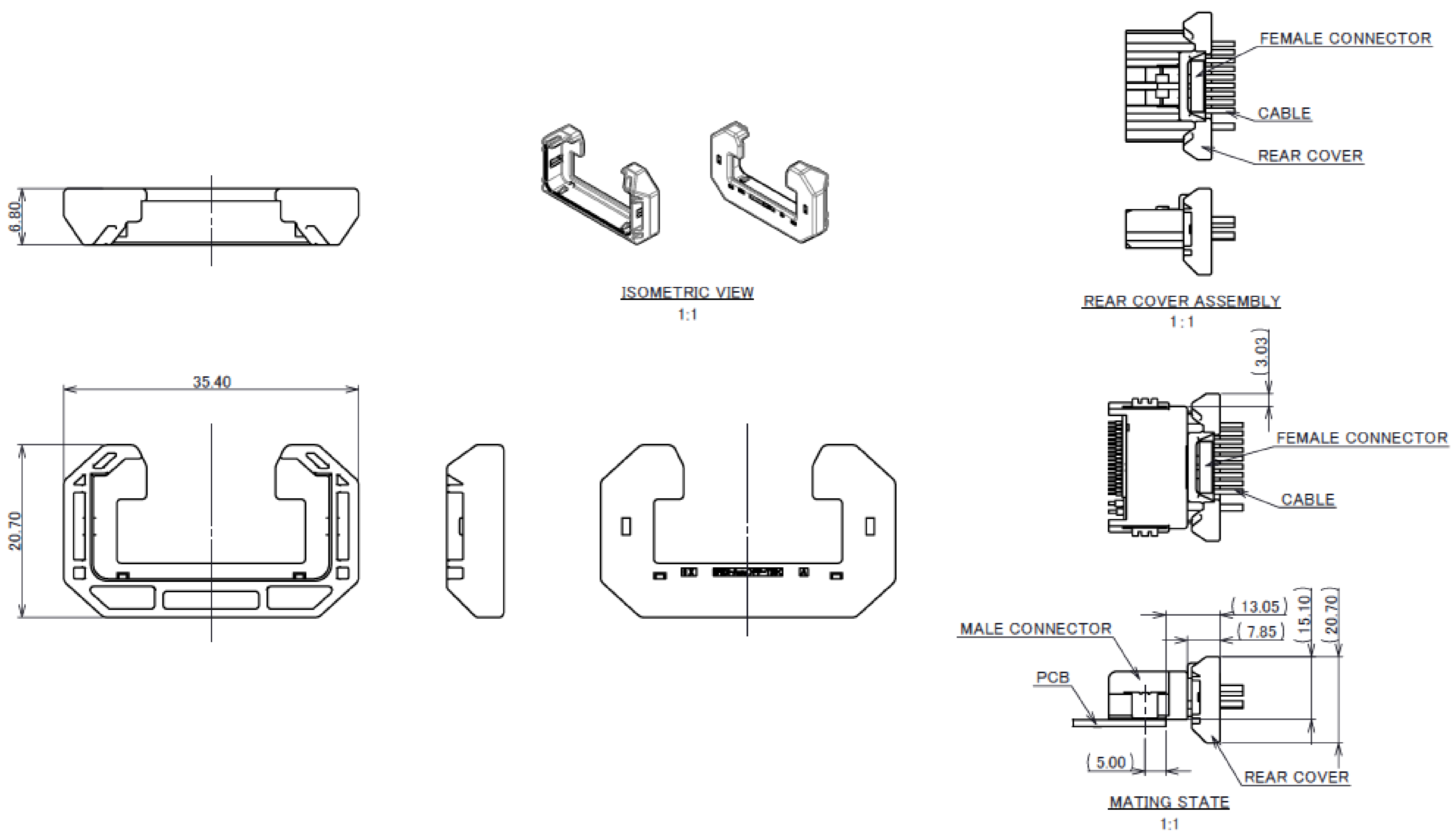
FEMALE CONNECTOR		MALE CONNECTOR		FEMALE TERMINAL	
PART NO.	COLOR	PART NO.	COLOR	PART NO.	FINISH
V0124-028B-02	BLACK	V0123-028E-01	BLACK	VT009-02 & VT011-02	Sn REFLOW
2	RETAINER	1	PBT	BLACK	-
1	FEMALE HOUSING	1	PBT	BLACK	-
NO.	DESCRIPTION	QTY.	MATERIAL	FINISH/COLOR	REMARKS

- NOTE
- 1.APPLICABLE MALE CONNECTOR PARTS NO. ARE SHOWN IN TABLE 1.
 - 2.COMPLY WITH ELV/RoHS
 - 3.HANDLE OF PRODUCT IN COMPLIANCE WITH HANDLING MANUAL [HDM-0021]
 - 4.POSITION NUMBERS ARE INDICATED.

Rev.0

ISH® (Horizontal Type-Hybrid) REAR COVER (20P):

PART NO.
V0124-84020-01



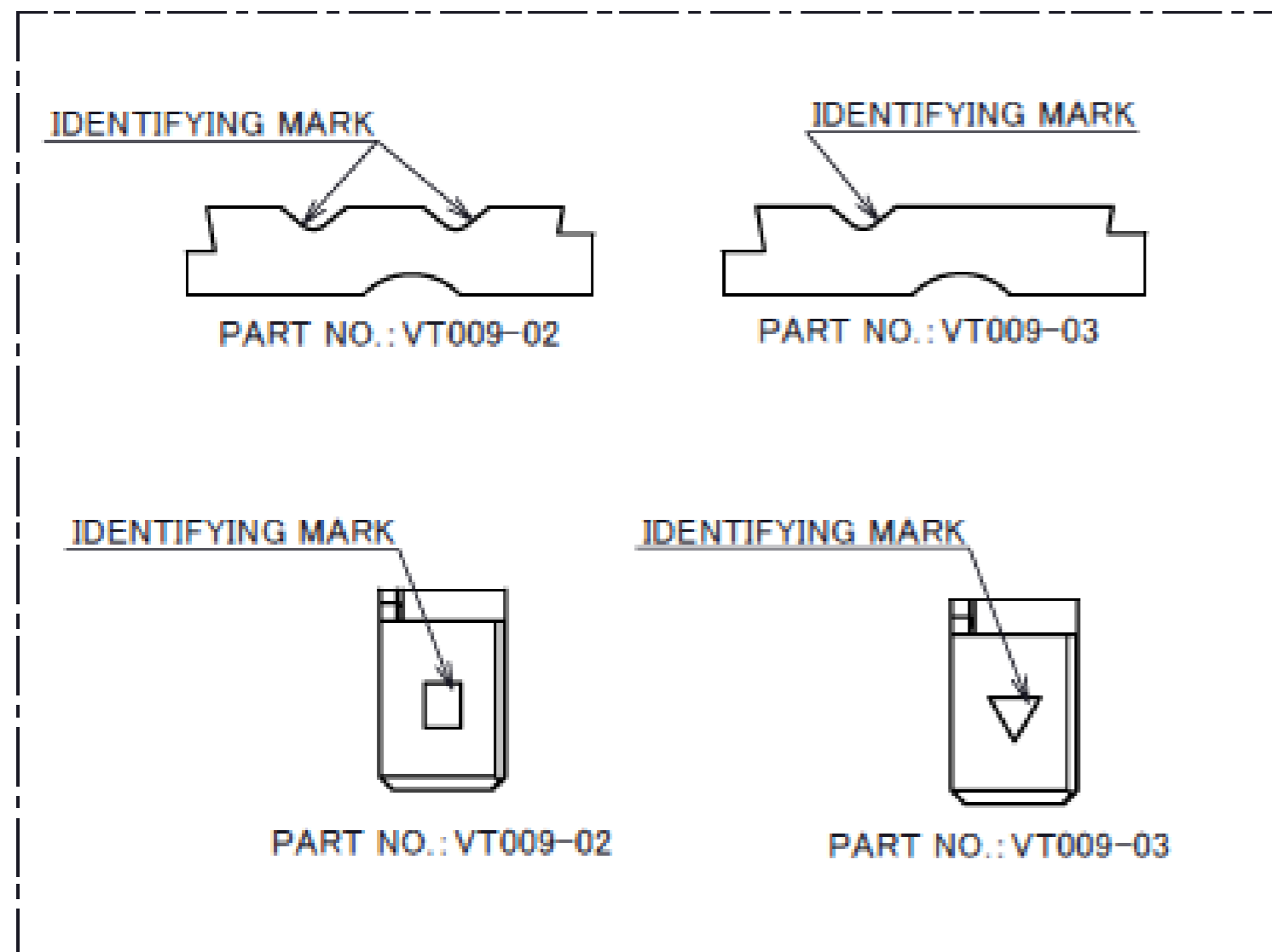
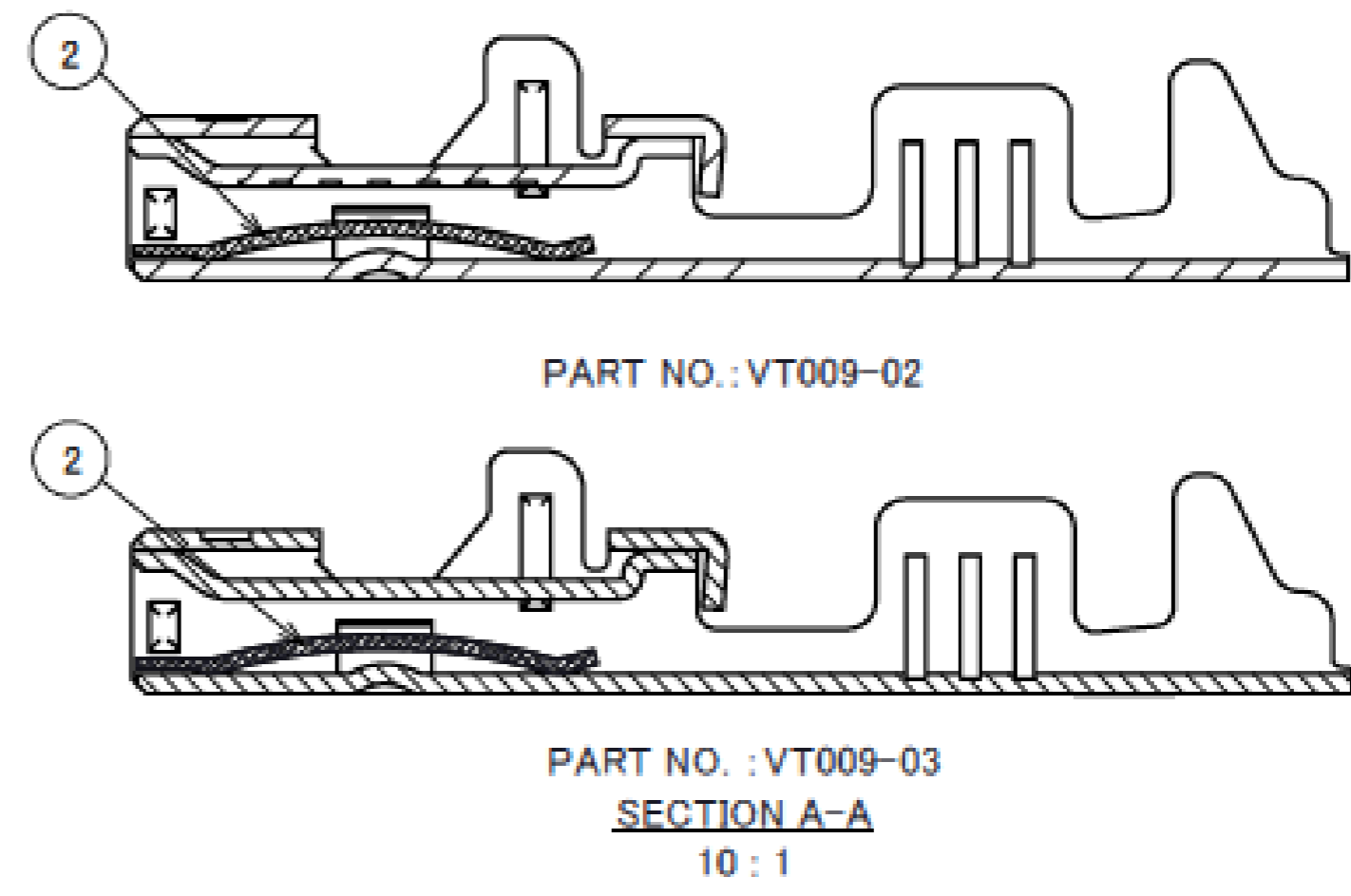
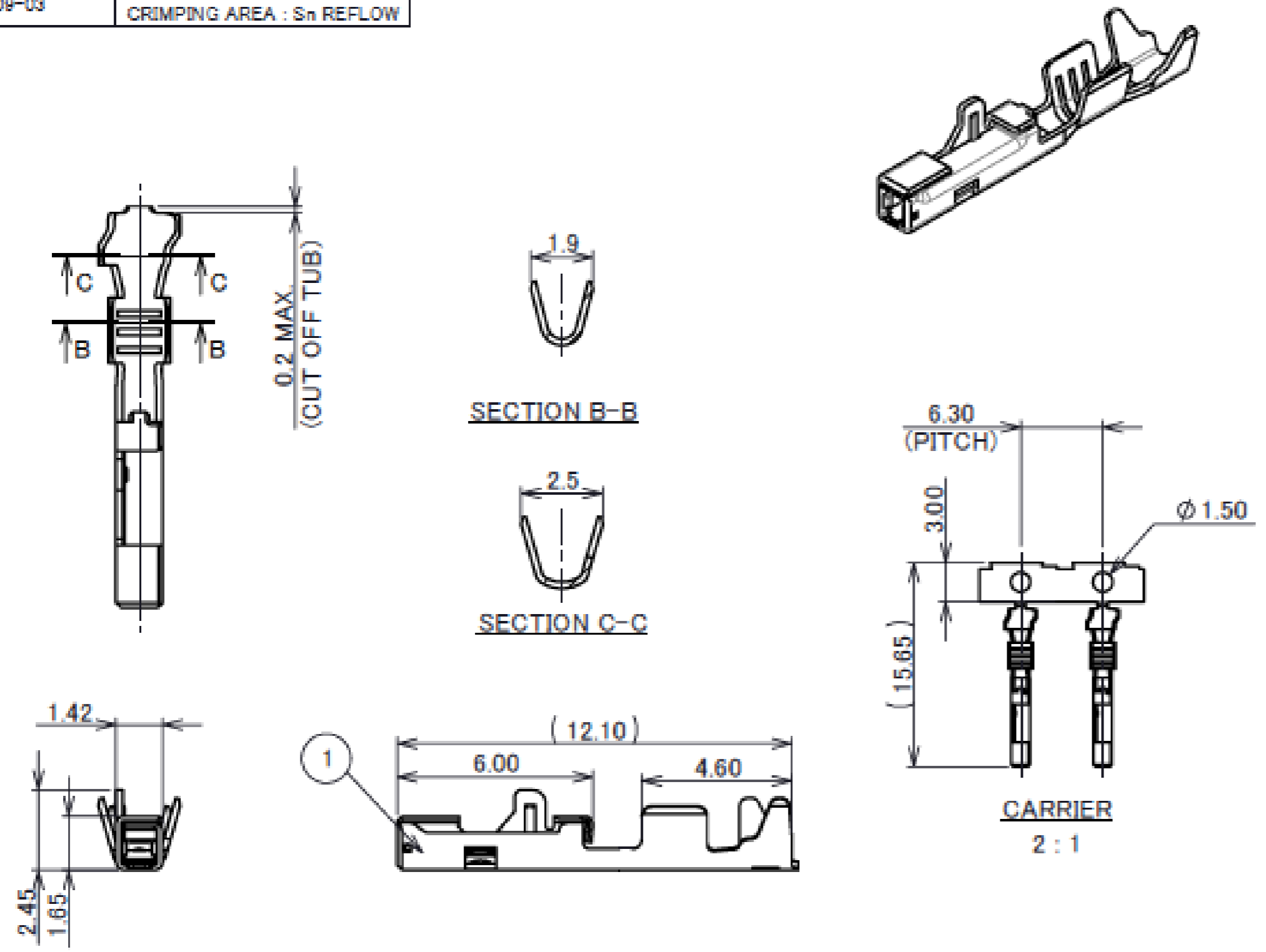
NO.	DESCRIPTION	MATERIAL	FINISH/COLOR/REMARKS
1	REAR COVER	PP-T30	BLACK

- NOTES
- 1.APPLICABLE PART NO.:
 -FEMALE HOUSING...V0124-020B-01(KEY CODING - A)
 ...V0124-020B-02(KEY CODING - B)
 - 2.COMPLY WITH ELV/RoHS
 - 3.INSERTION FORCE TO FEMALE HOUSING:55N MAX.
 RETENTION FORCE TO FEMALE HOUSING:30N MIN.

Rev.0

ISH® (Horizontal Type-Hybrid) TERMINAL (Size 0.5 mm):

PART NO.	PLATING
VT009-02	Sn REFLOW
VT009-03	CONTACT AREA : Au PLATING CRIMPING AREA : Sn REFLOW



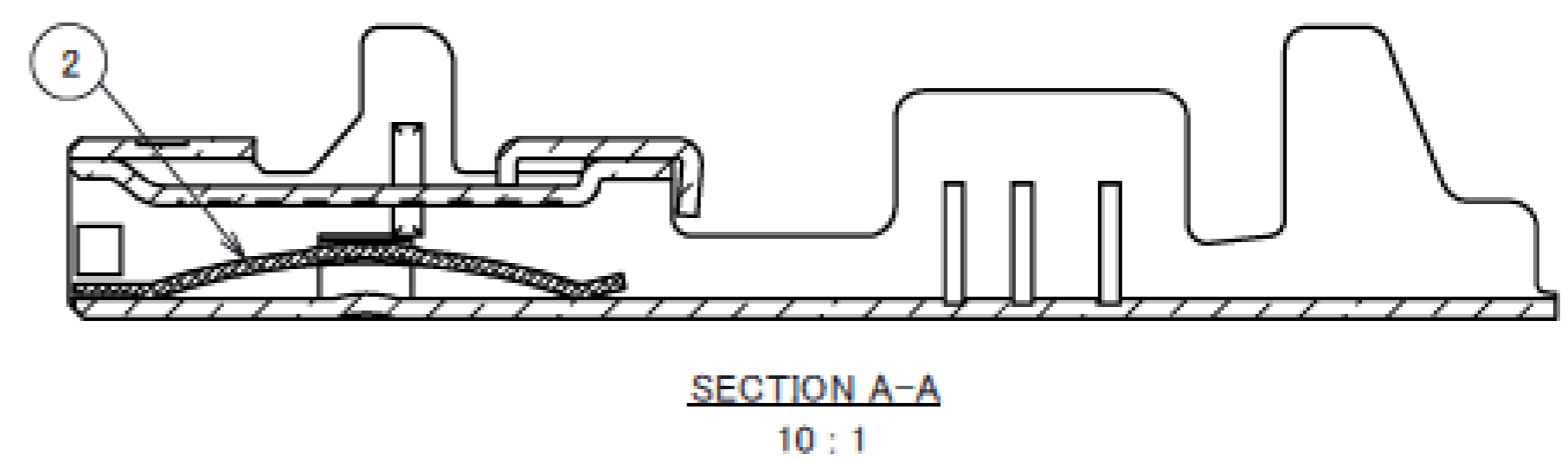
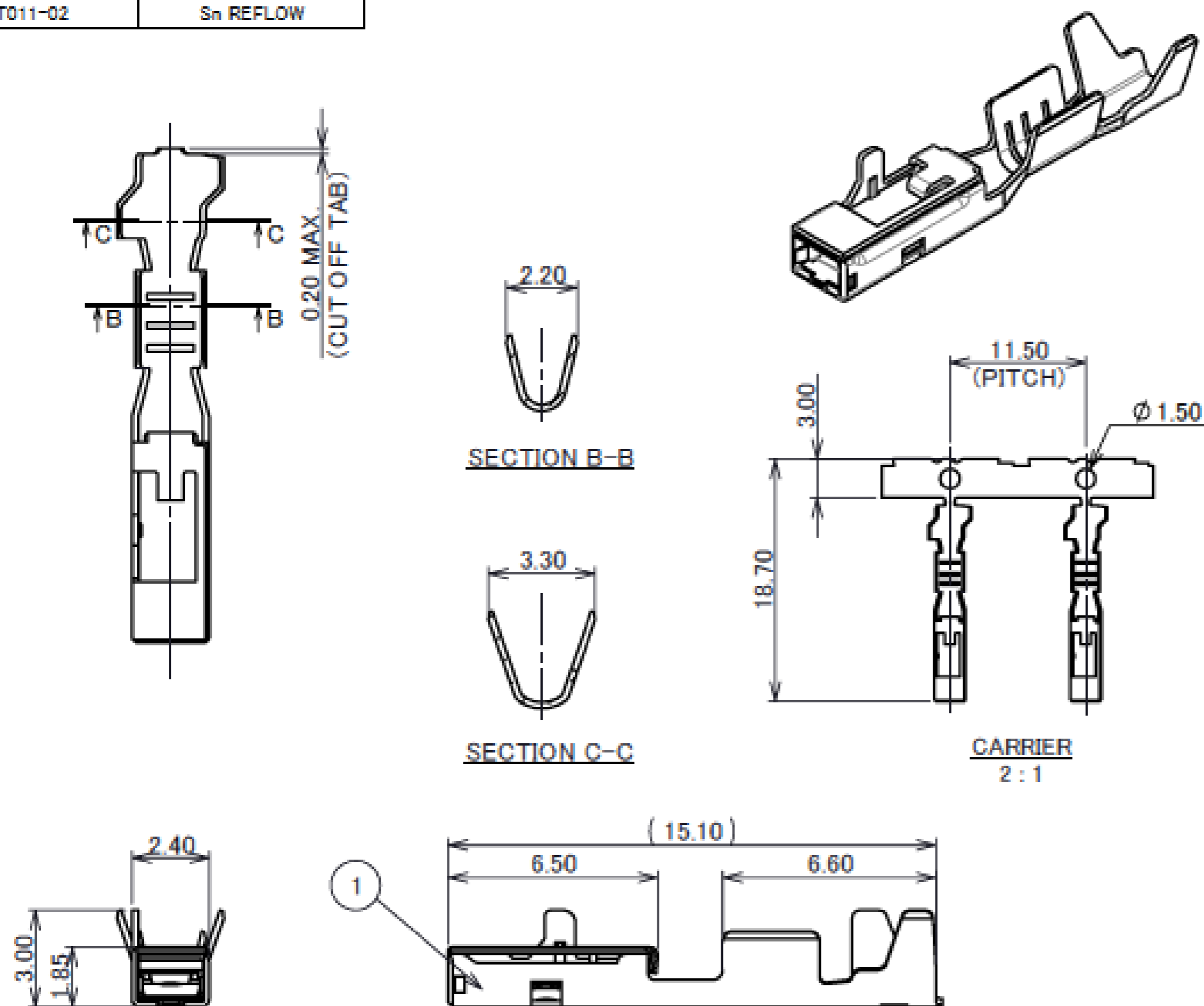
NOTE
 1. APPLICABLE FEMALE HOUSING: ISH CONNECTOR SERIES
 2. APPLICABLE CABLE SIZE: 0.3mm² / 0.5mm² (FINISHED ϕ 1.60mm MAX.)
 3. COMPLY WITH ELV/RoHS.
 4. TERMINAL CRIMP SPECIFICATION MUST BE COMPLIANT WITH HANDLING MANUAL [HDM-0020].

2	SPRING	COPPER ALLOY	VT009-02 PLATING : Sn REFLOW VT009-03 PLATING : Au PLATING
1	BODY	BRASS	VT009-02 PLATING : Sn REFLOW VT009-03 PLATING : Au PLATING CONTACT AREA : Au PLATING CRIMPING AREA : Sn REFLOW
NO.	DESCRIPTION	MATERIAL	FINISH/COLOR/REMARKS

Rev.0

ISH® (Horizontal Type-Hybrid) TERMINAL (Size 1.5 mm):

PART NO.	PLATING
VT011-02	Sn REFLOW



NOTE
 1. APPLICABLE FEMALE HOUSING: ISH CONNECTOR SERIES
 2. APPLICABLE CABLE SIZE: 0.5mm² (FINISHED ϕ 1.93mm MAX.)
 3. COMPLY WITH ELV/RoHS.
 4. TERMINAL CRIMP SPECIFICATION MUST BE COMPLIANT WITH HANDLING MANUAL [HDM-0021].

2	SPRING	COPPER ALLOY	PLATING : Sn REFLOW
1	BODY	BRASS	PLATING : Sn REFLOW
NO.	DESCRIPTION	MATERIAL	FINISH/COLOR/REMARKS

Rev.0

Custom Products Available

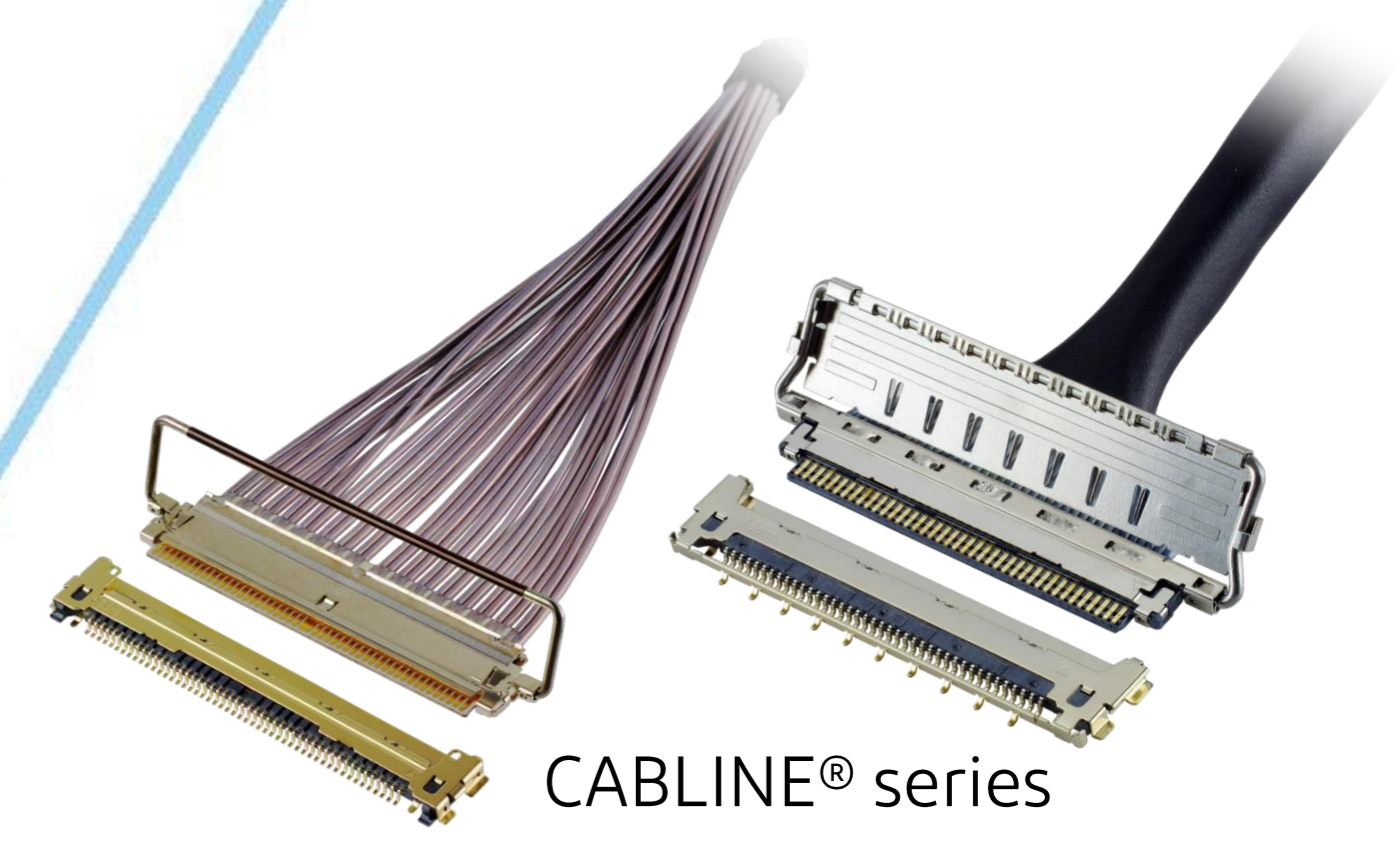
RF Connector

MHF® series



Micro-coaxial/Twinax/Discrete Wire Connector

CABLINA® series

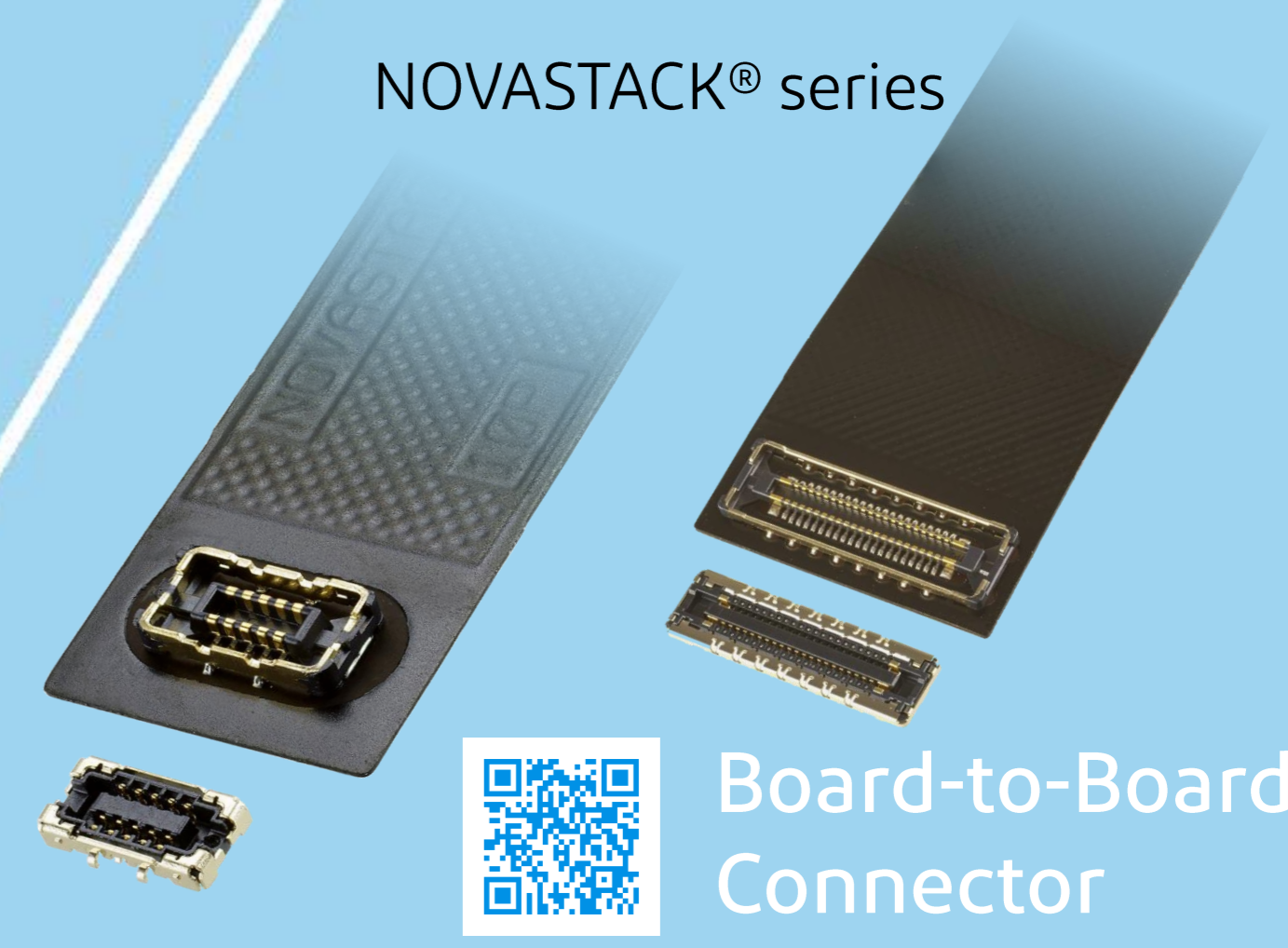


Optical Module

LIGHTPASS® series



NOVASTACK® series



Board-to-Board Connector



Power Connector/Terminal

AP series

ISH® series



MINIFLEX® series

EVAFLEX® series



FPC FFC Connector



Inquiry



MINIDOCK® series

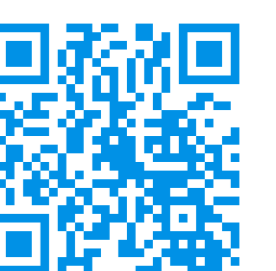


I/O Connector

I-PEX, MHF, CABLINE, LIGHTPASS, NOVASTACK, ISH, IARPB, MINIFLEX, EVAFLEX, MINIDOCKS and ZenShield are registered trademarks of I-PEX Inc. Please note that the contents in the catalog might be changed without prior notification. I-PEX Inc. assumes no responsibility for any inaccuracies or obligation to update information on these documents. Please be sure to read and understand the latest "Precautions for Use" and "Instruction Manual" before you use our products. We shall not be responsible for any defects, damages or troubles in case you use our products without following the precautions for use. Please feel free to contact our sales representatives when you use our products for any applications that require very high reliability and safety, or that relate to human life (ex. nuclear power control, aerospace, transportation, medical equipment, safety equipment etc.).

Contact your sales representative or more detailed information.

www.i-pex.com



I-PEX

© I-PEX Inc. 2024
All rights reserved