

# ISH<sup>®</sup> (Horizontal Type-Hybrid)

내고온 · 내진동성이 뛰어난 파워 단자 포함 수평 결합 SMT 커넥터

Product Specifications:		Signal	Power
Pitch (mm max.)		2.0	
Contact Size (mm)		0.5 × 0.4 (020)	1.5 × 0.64 (060)
Mated Height (mm max.)		13.6	
Width formula (mm)		13.0+1.0*pin	
Operating Temperature		-40 - 125°C	
Vibration Resistance		10G	
Current Rating		4.5A per pin	7.0A per pin
Voltage Rating		100V	
Withstand Voltage		AC 1000V/minute	
Plating		Sn	
Housing		Male:glass-filled LCP, Female:PBT	
Pin counts	Range	Up to 40	
	Available	20, 28	

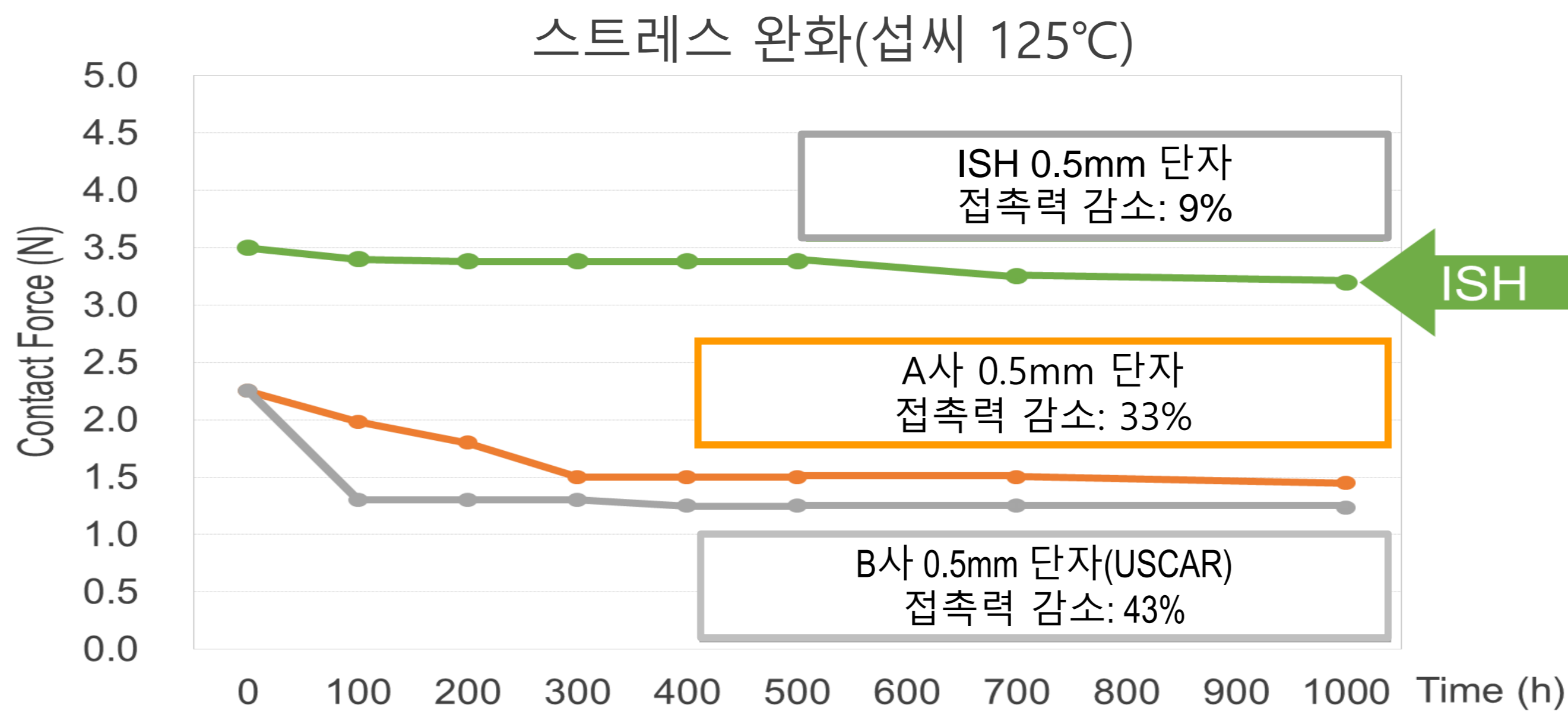
**Applicable Cable Size:**

Signal: AWG#22,#20  
 \*Insulation Diameter 1.6 mm max.  
 Power: AWG#20  
 \*Insulation Diameter 1.9 mm max.

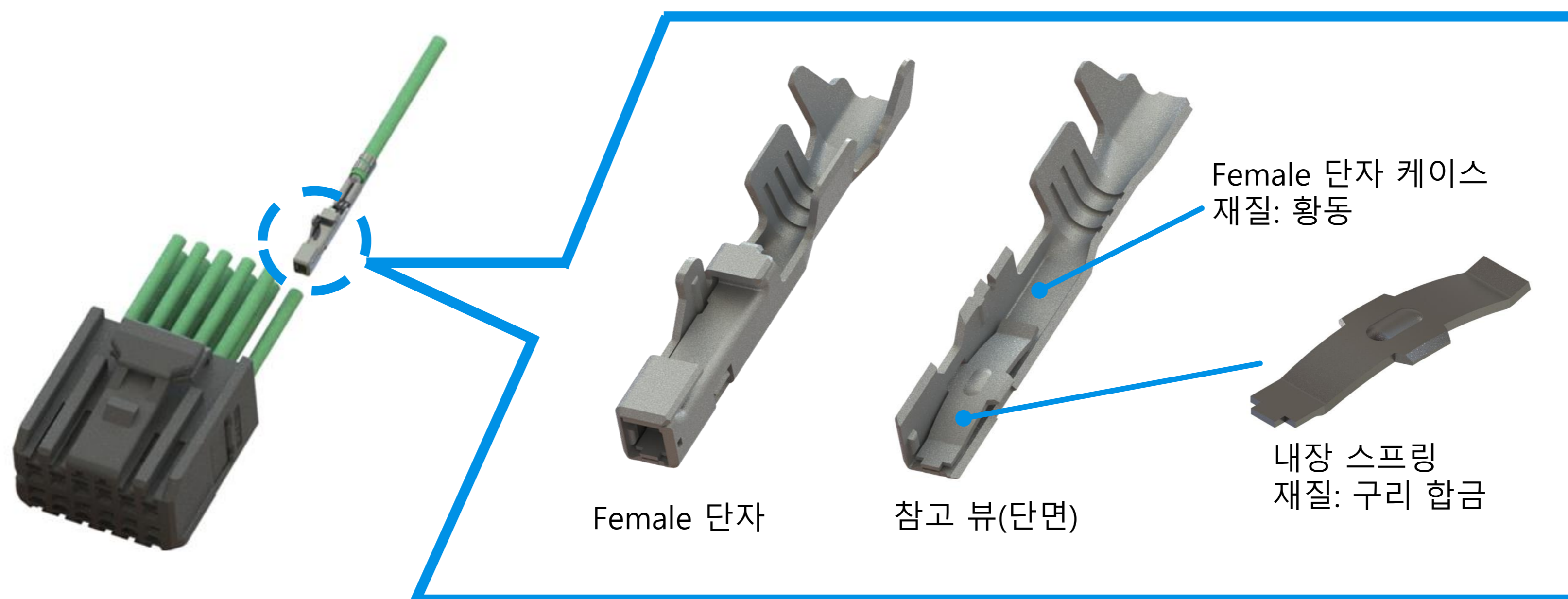


\*핀수가 없거나 핀수 범위를 벗어나는 경우 문의해 주십시오.

## ▶ 높은 접촉 신뢰성을 추구하는 기기에 최적화된 우수한 내고온성·내진동성



## ▶ 독자적인 스프링 구조 단자에 의한 높은 장기 접촉 신뢰성



## ▶ 다양한 자동차 요구 사양에 대응하며, 고온 · 진동 환경에서의 산업 용도 등으로 적합



- 헤드램프 제어 장치
- 인버터 및 DC/DC 컨버터
- 배터리 제어 모듈
- 후방 카메라 모듈
- 계기판
- 로봇 장비
- 공장 자동화 장비 등

고온 어플리케이션에 적합

# Component Parts Details

## ISH® (Horizontal Type-Hybrid) MALE (20P):

PART NO.	KEY CODING
V0123-020E-01	KEY CODING - A
V0123-020E-11	KEY CODING - B

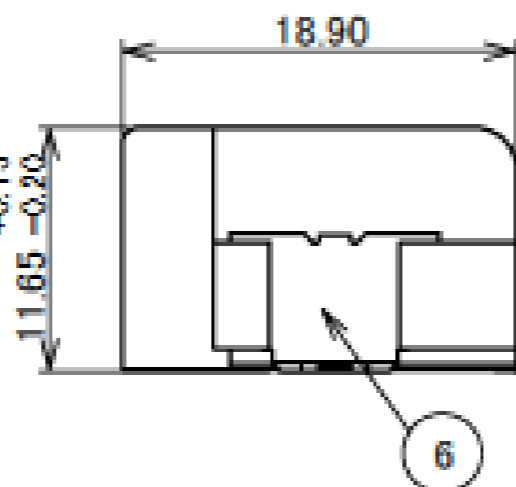
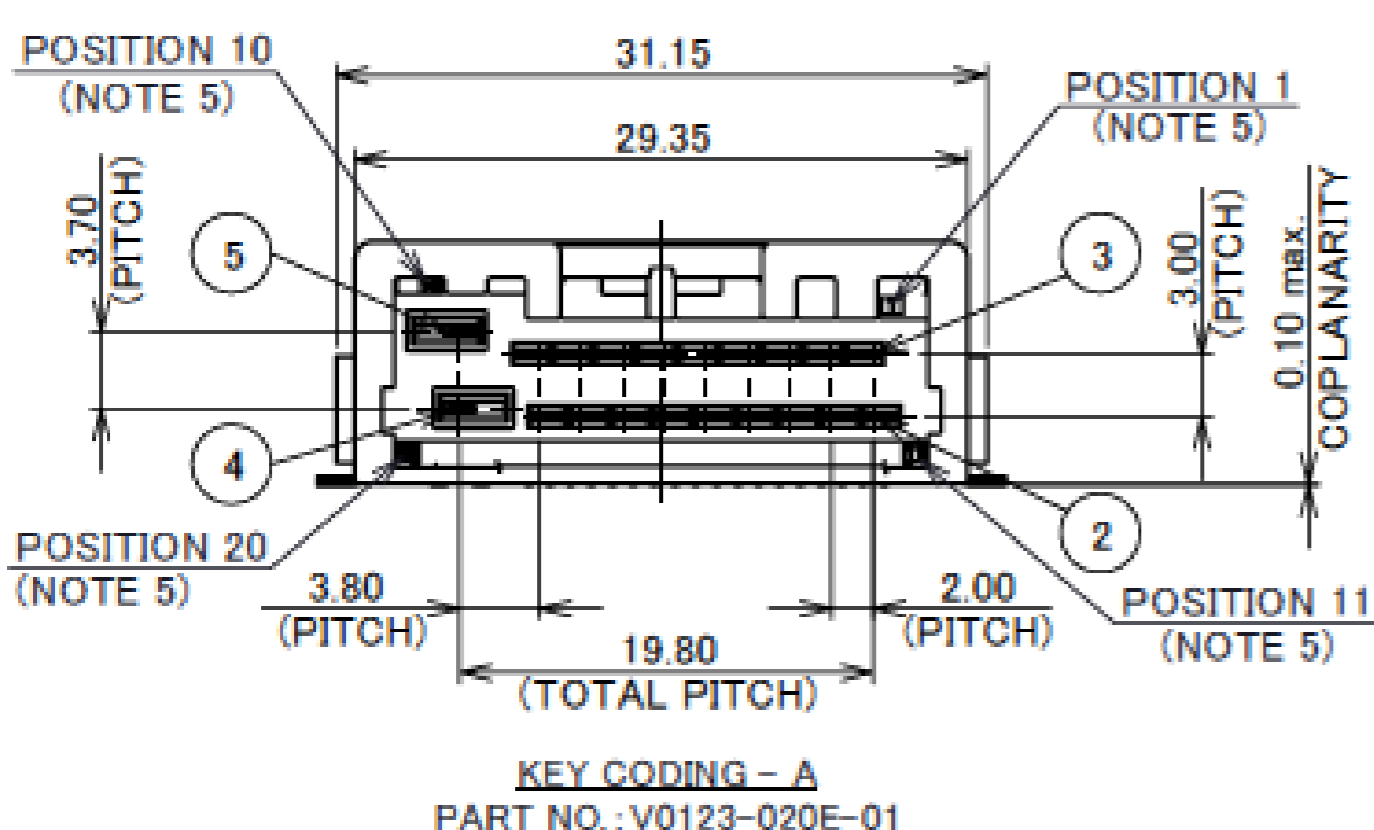
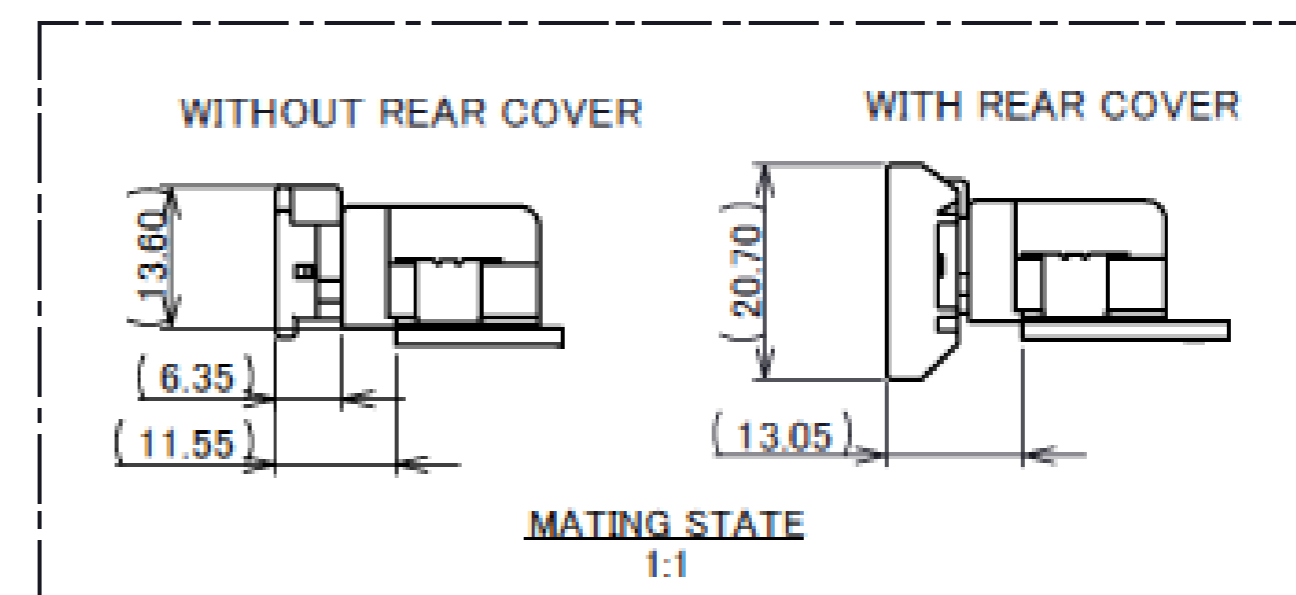
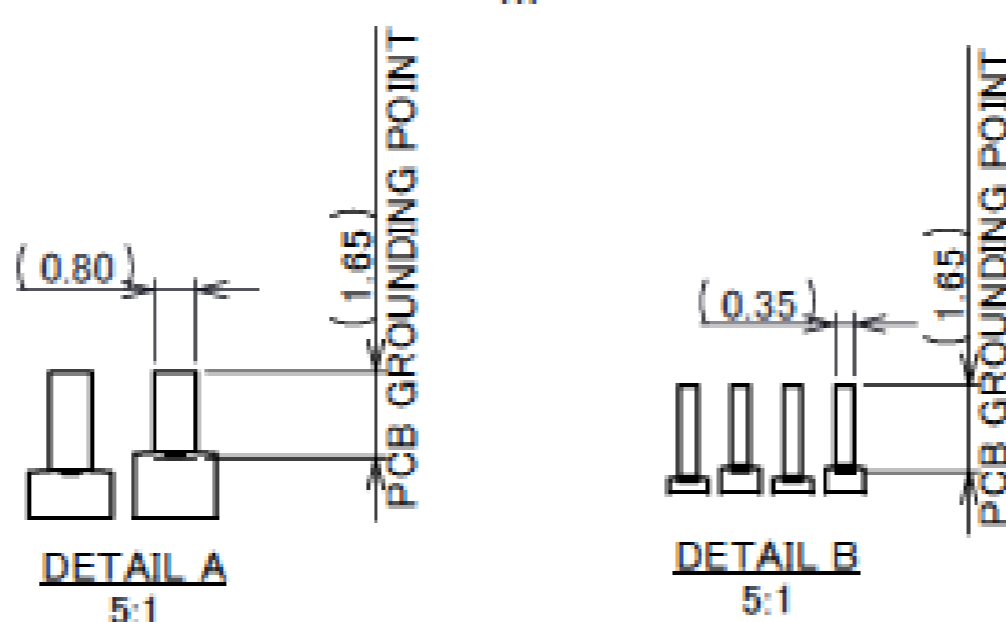
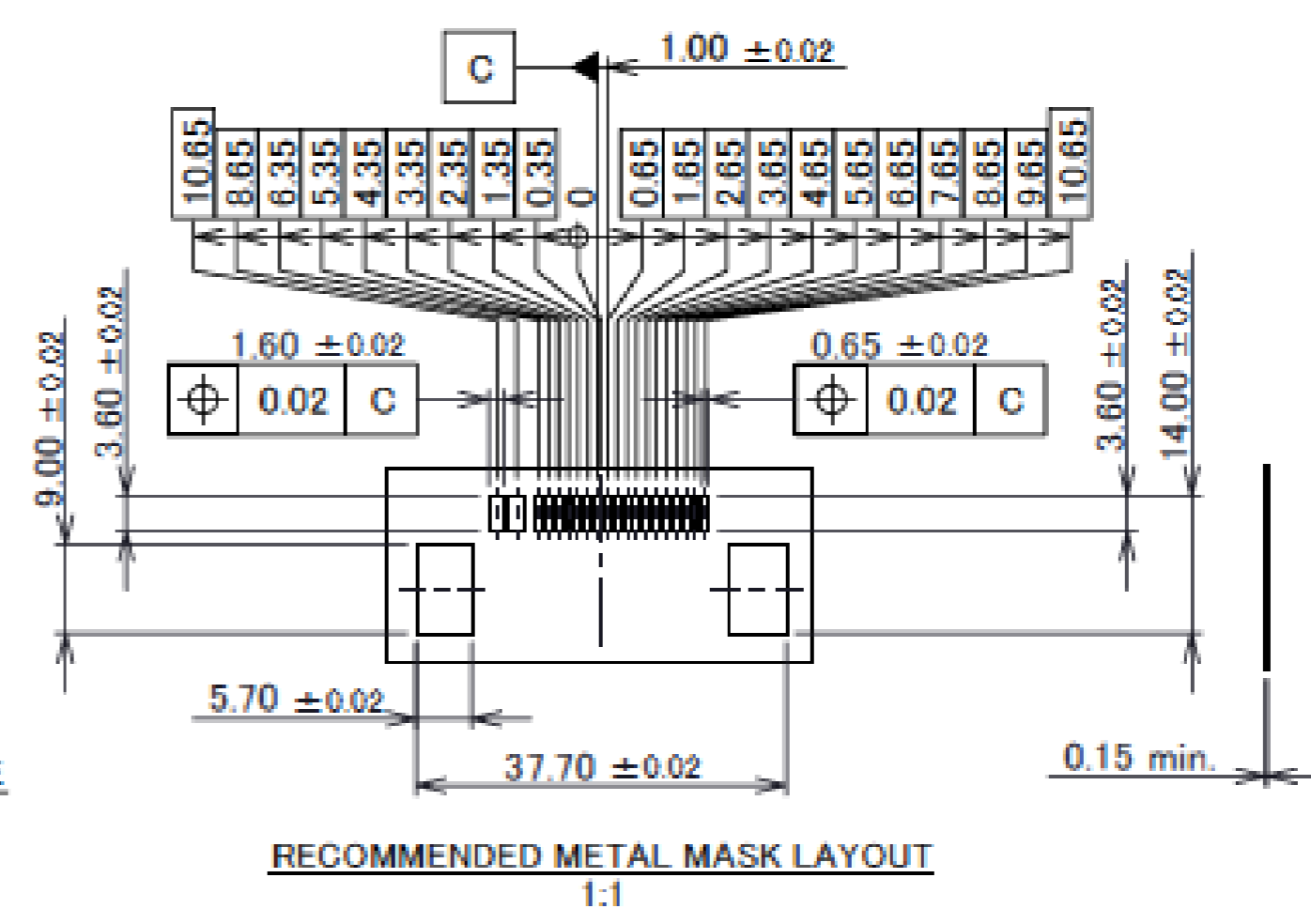
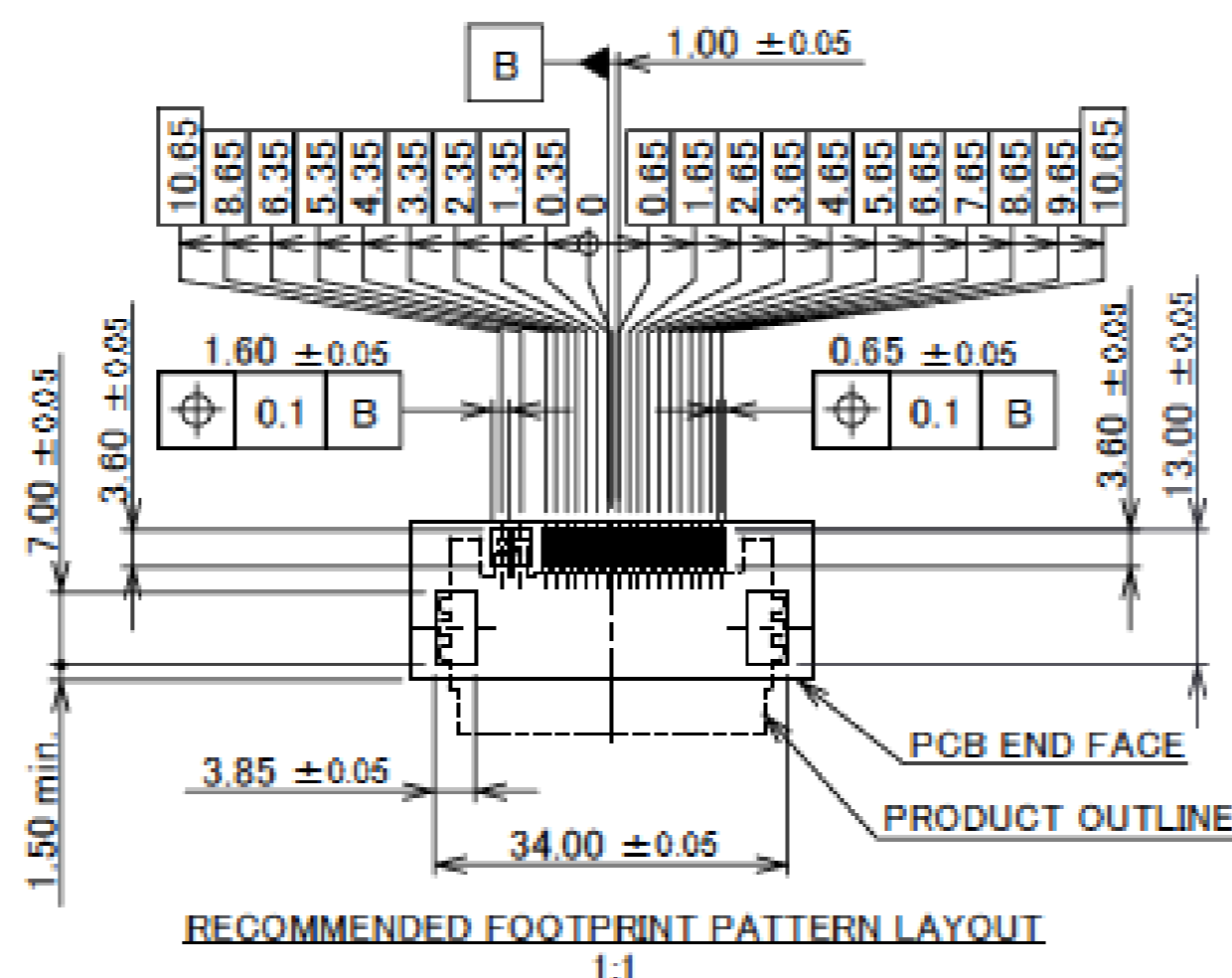
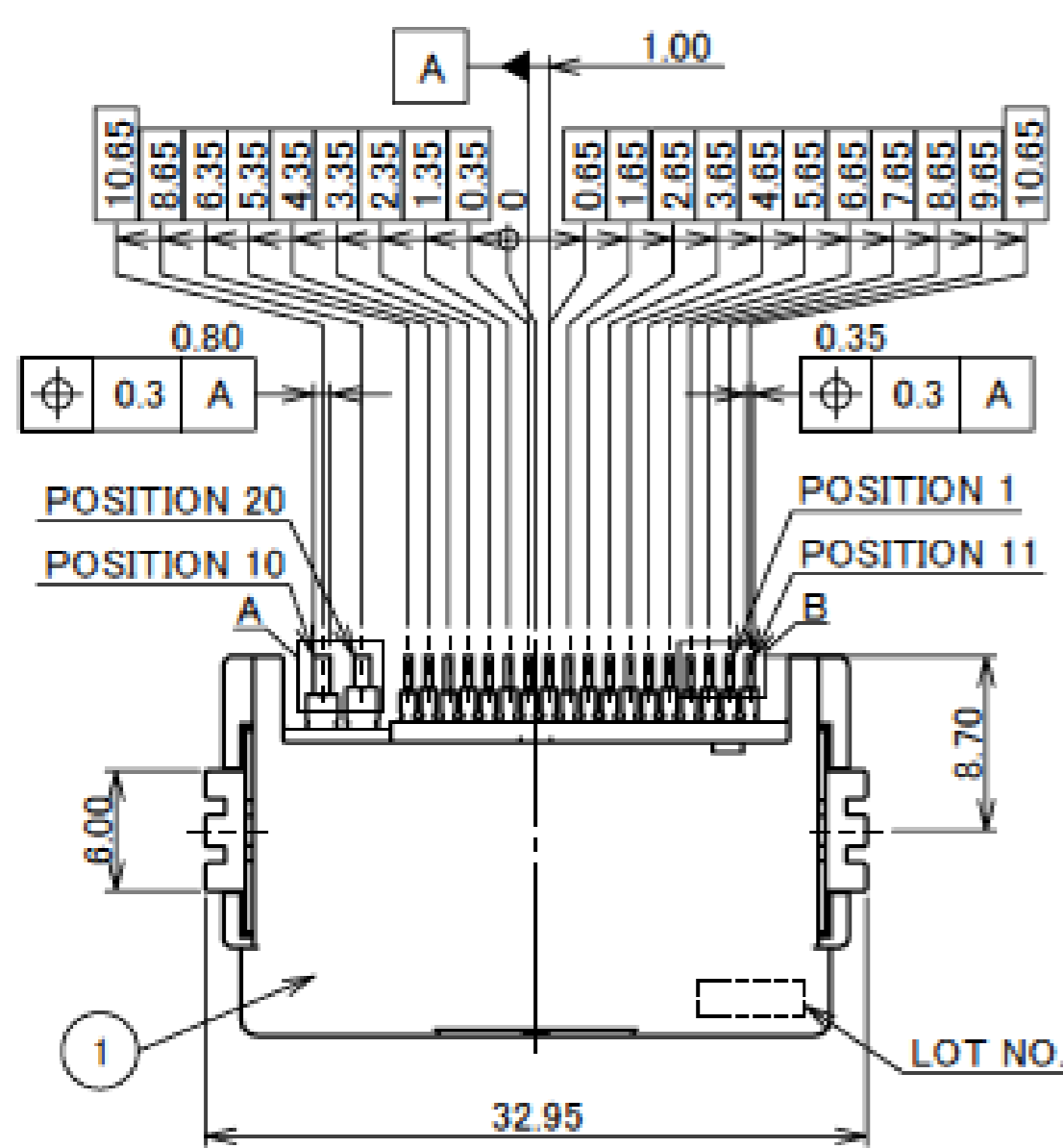
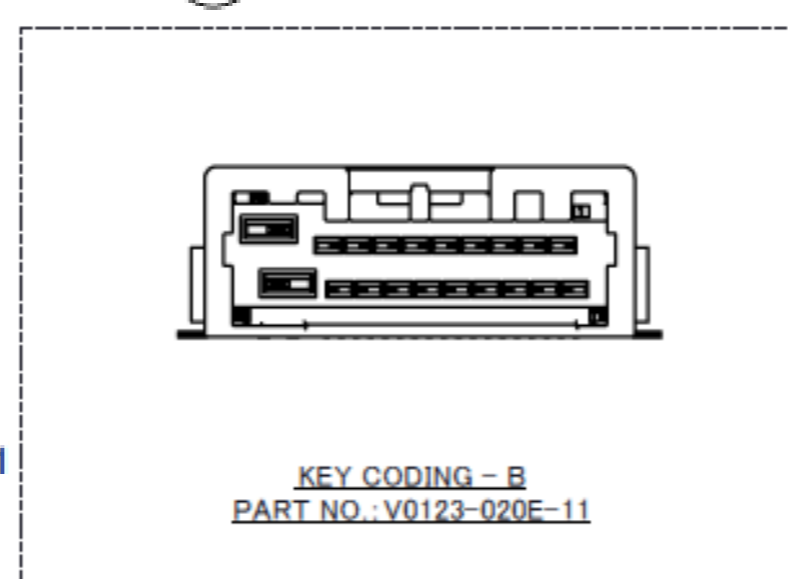


TABLE 1. COUNTERPARTS FOR MATING

MALE CONNECTOR		FEMALE CONNECTOR		FEMALE TERMINAL		REAR COVER		
KEY CODING	PART NO.	COLOR	PART NO.	COLOR	PART NO.	FINISH	PART NO.	FINISH
KEY CODING-A	V0123-020E-01	BLACK	V0124-020B-01	BLACK	VT009-02 & VT011-02	Sn REFLOW	V0124-84020-01	BLACK
KEY CODING-B	V0123-020E-11	NATURAL	V0124-020B-11	NATURAL				

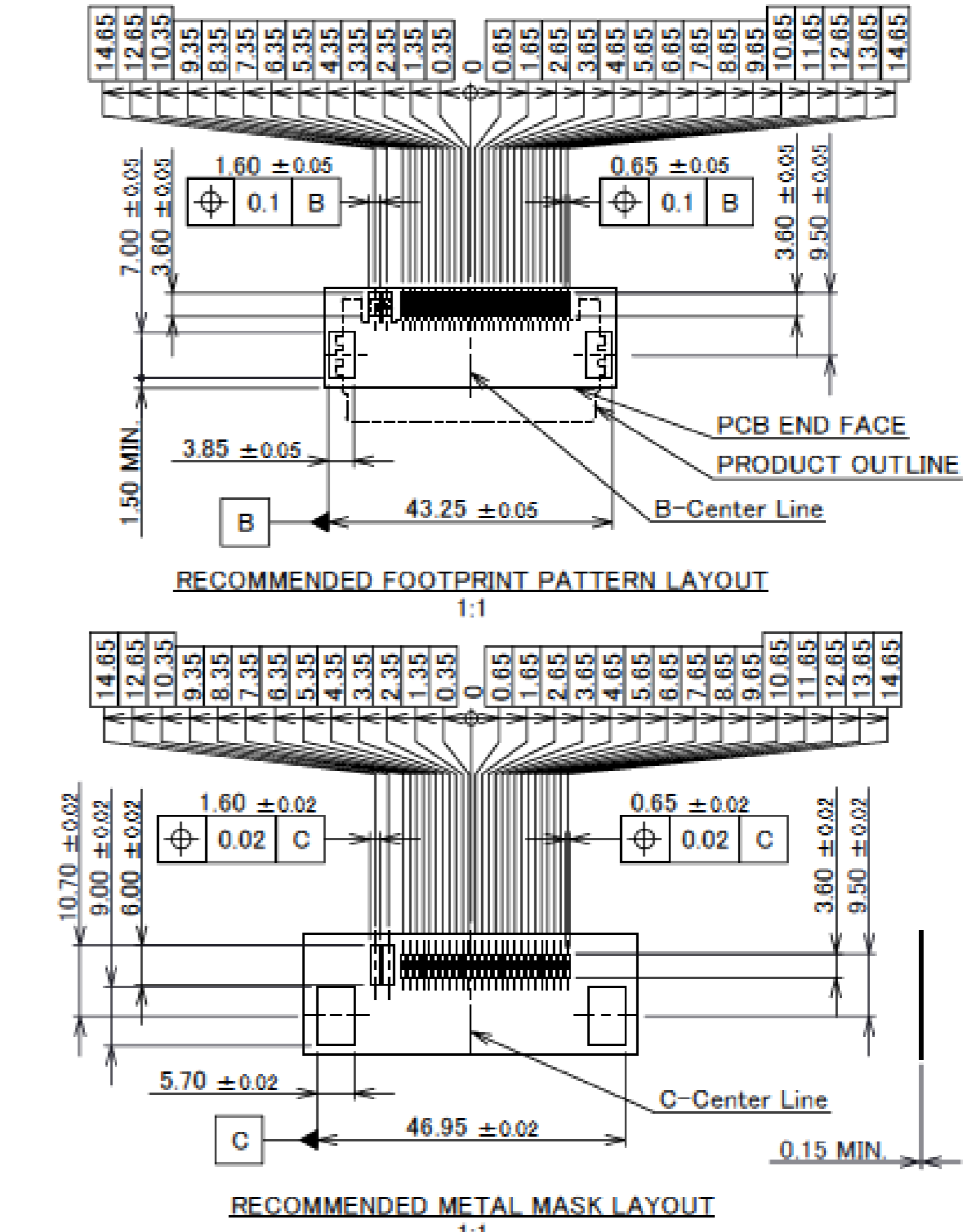
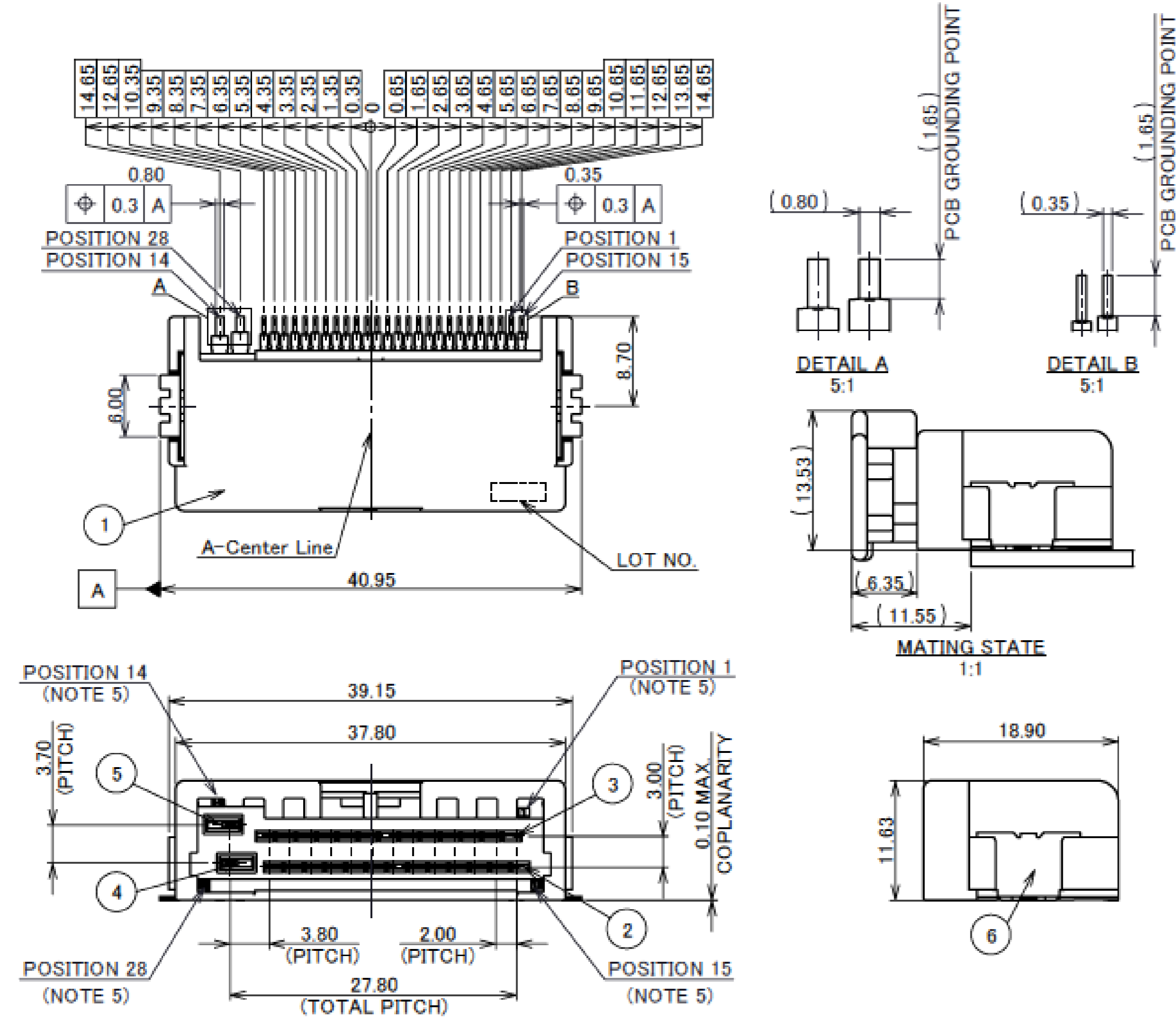
NO.	DESCRIPTION	MATERIAL	FINISH/COLOR/REMARKS
6	HOLD DOWN	BRASS	Sn REFLOW
5	1.5mm MALE TERMINAL-2	BRASS	Sn REFLOW
4	1.5mm MALE TERMINAL-1	BRASS	Sn REFLOW
3	0.5mm MALE TERMINAL-2	BRASS	Sn REFLOW
2	0.5mm MALE TERMINAL-1	BRASS	Sn REFLOW
1	MALE HOUSING	GLASS-FILLED LCP	BLACK OR NATURAL /UL94V-0

- NOTES
1. APPLICABLE PART NO. ARE SHOWN IN TABLE 1.
  2. COMPLY WITH ELV/ROHS
  3. HANDLE OF PRODUCT IN COMPLIANCE WITH HANDLING MANUAL [HDM-0021]
  4. USE METAL MASK WHICH HAS A THICKNESS OF 0.15mm MIN. WHEN THE MALE CONNECTOR IS MOUNTED ON THE PCB.
  5. POSITION NUMBERS ARE INDICATED.



# ISH® (Horizontal Type-Hybrid) MALE (28P):

MALE CONNECTOR			FEMALE CONNECTOR		FEMALE TERMINAL	
KEY CODING	PART NO.	COLOR	PART NO.	COLOR	PART NO.	FINISH
-	V0123-0238-01	BLACK	V0124-0238-01	BLACK	VT009-02 & VT011-02	Sn REFLOW



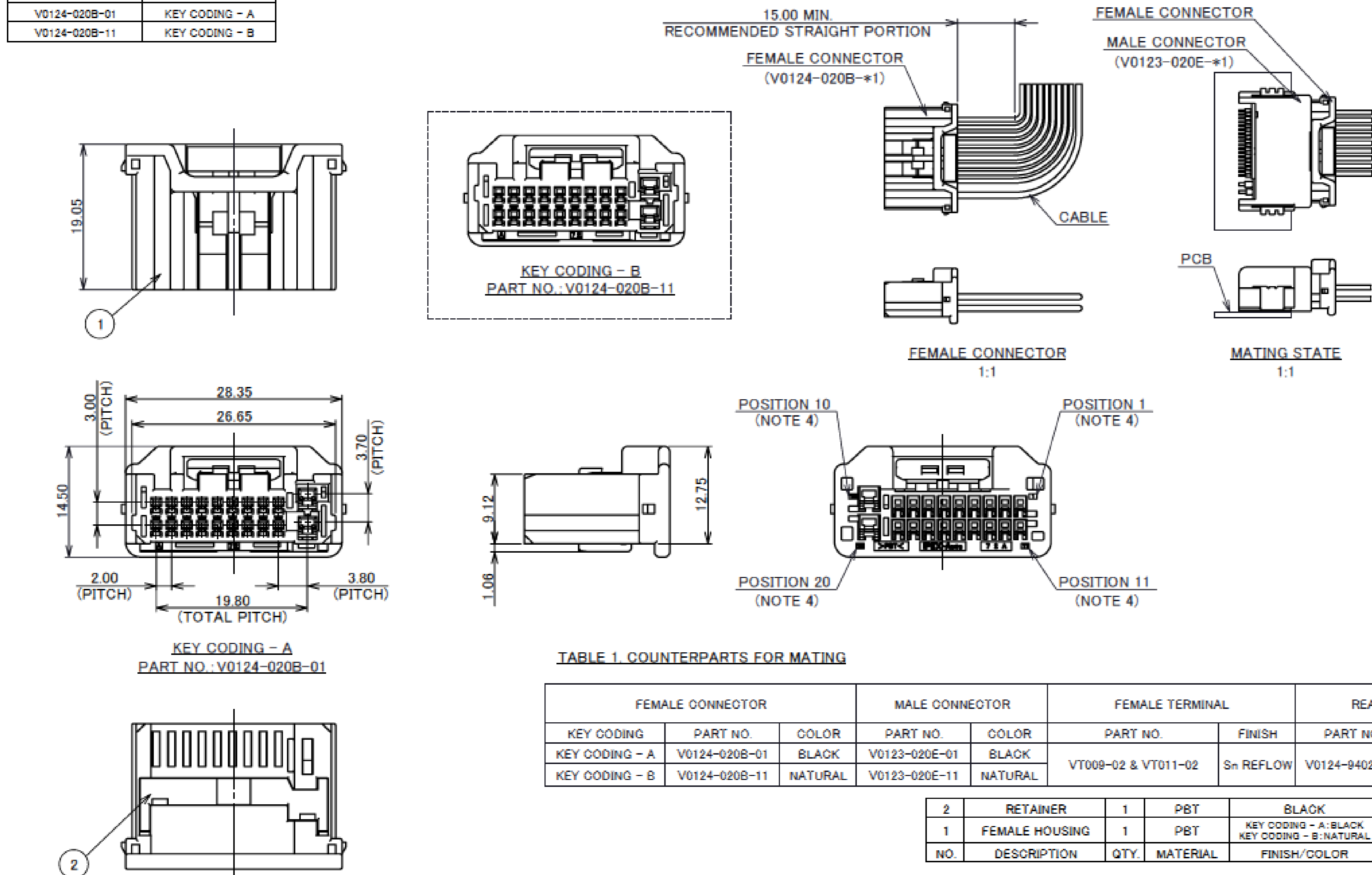
NO.	DESCRIPTION	MATERIAL	FINISH/COLOR/REMARKS
6	HOLD DOWN	BRASS	Sn REFLOW
5	1.5mm MALE TERMINAL-2	BRASS	Sn REFLOW
4	1.5mm MALE TERMINAL-1	BRASS	Sn REFLOW
3	0.5mm MALE TERMINAL-2	BRASS	Sn REFLOW
2	0.5mm MALE TERMINAL-1	BRASS	Sn REFLOW
1	MALE HOUSING	GLASS-FILLED LCP	BLACK OR NATURAL /UL94V-0

- NOTES**
1. APPLICABLE PART NO. ARE SHOWN IN TABLE 1.
  2. COMPLY WITH ELV/RoHS
  3. HANDLE OF PRODUCT IN COMPLIANCE WITH HANDLING MANUAL [HDM-0021]
  4. USE METAL MASK WHICH HAS A THICKNESS OF 0.15mm MIN. WHEN THE MALE CONNECTOR IS MOUNTED ON THE PCB.
  5. POSITION NUMBERS ARE INDICATED.

Rev.0

# ISH® (Horizontal Type-Hybrid) FEMALE (20P):

PART NO.	KEY CODING
V0124-020B-01	KEY CODING - A
V0124-020B-11	KEY CODING - B



**TABLE 1. COUNTERPARTS FOR MATING**

FEMALE CONNECTOR			MALE CONNECTOR		FEMALE TERMINAL		REAR COVER	
KEY CODING	PART NO.	COLOR	PART NO.	COLOR	PART NO.	FINISH	PART NO.	COLOR
KEY CODING - A	V0124-020B-01	BLACK	V0123-020E-01	BLACK	VT009-02 & VT011-02	Sn REFLOW	V0124-94020-01	BLACK
KEY CODING - B	V0124-020B-11	NATURAL	V0123-020E-11	NATURAL				

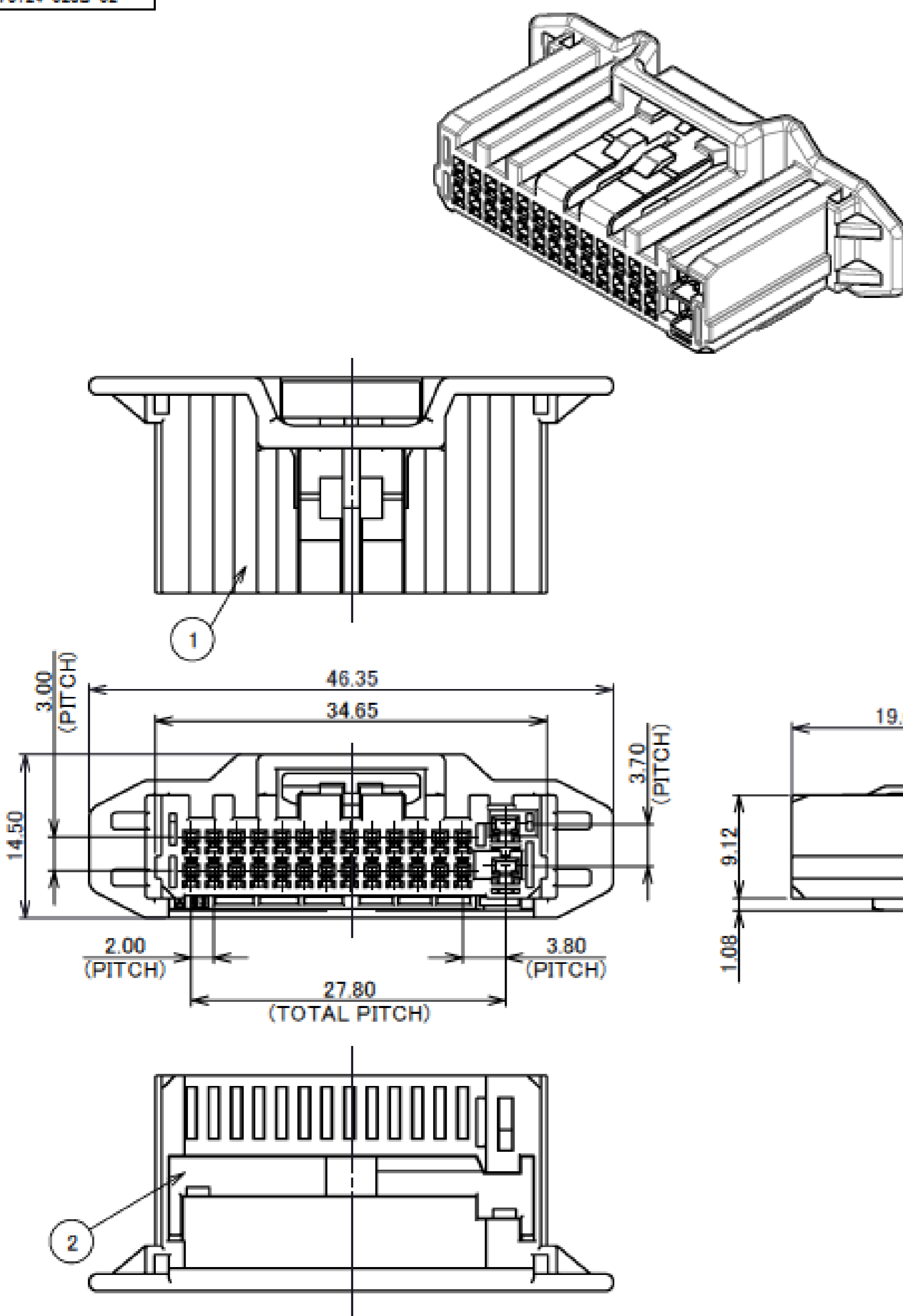
NO.	DESCRIPTION	QTY.	MATERIAL	FINISH/COLOR	REMARKS
2	RETAINER	1	PBT	BLACK	
1	FEMALE HOUSING	1	PBT	KEY CODING - A: BLACK KEY CODING - B: NATURAL	

- NOTE**
1. APPLICABLE MALE CONNECTOR PARTS NO. ARE SHOWN IN TABLE 1.
  2. COMPLY WITH ELV/RoHS
  3. HANDLE OF PRODUCT IN COMPLIANCE WITH HANDLING MANUAL [HDM-0021]
  4. POSITION NUMBERS ARE INDICATED.

Rev.0

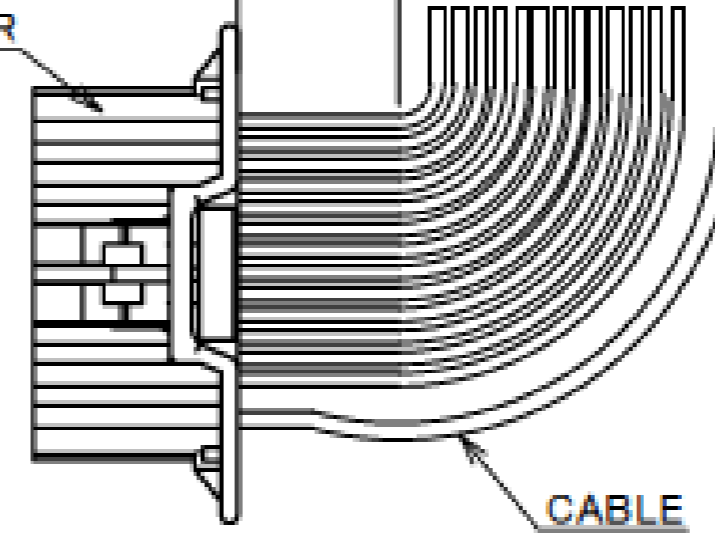
# ISH® (Horizontal Type-Hybrid) FEMALE (28P):

PART NO.
V0124-028B-02



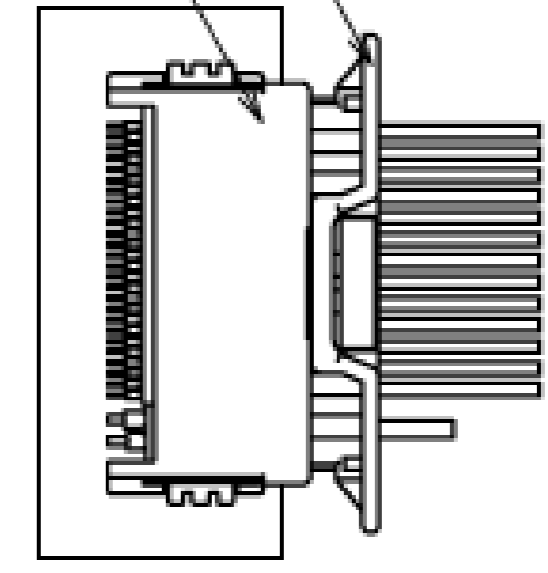
15.00 MIN.  
RECOMMENDED STRAIGHT PORTION

FEMALE CONNECTOR  
(V0124-028B-02)

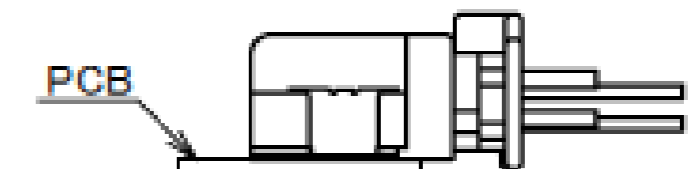


FEMALE CONNECTOR

MALE CONNECTOR  
(V0123-028E-01)



FEMALE CONNECTOR  
1:1



MATING STATE  
1:1

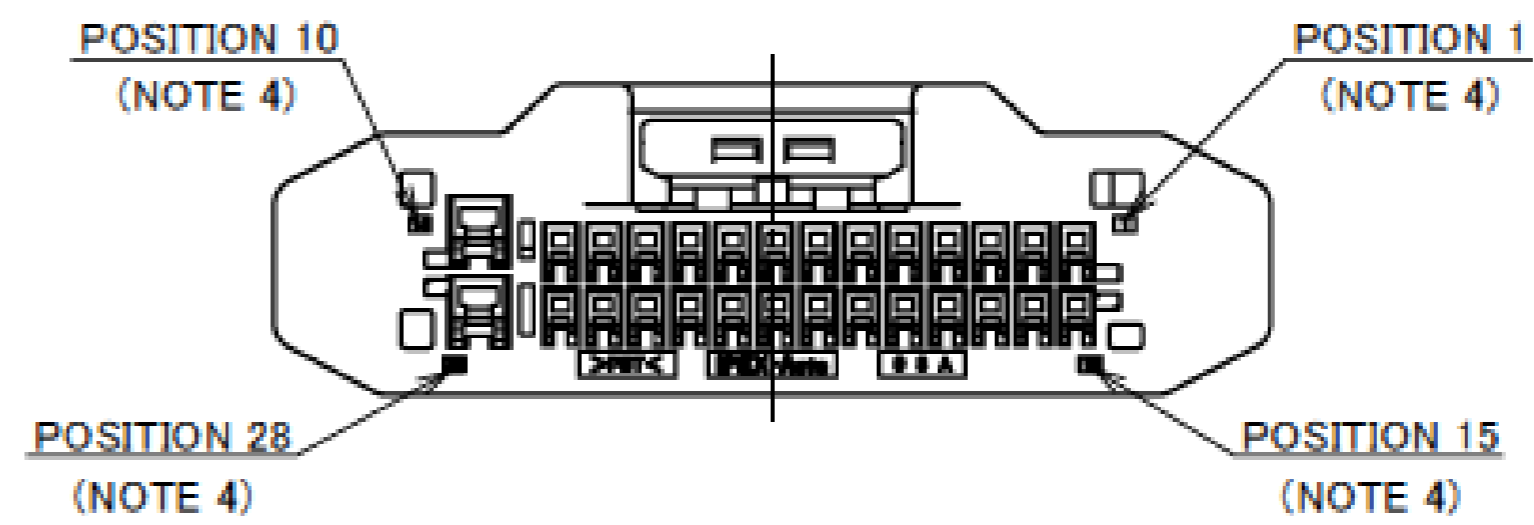


TABLE 1. COUNTERPARTS FOR MATING

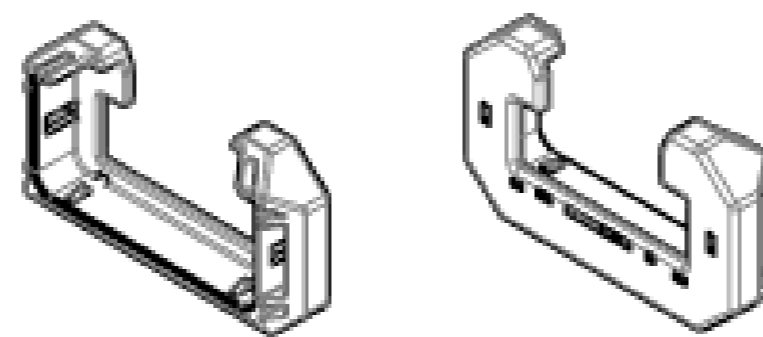
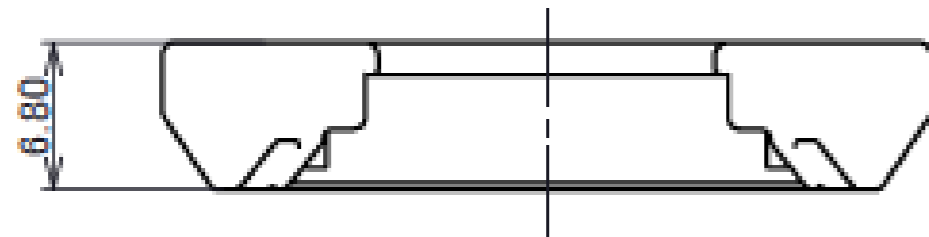
FEMALE CONNECTOR		MALE CONNECTOR		FEMALE TERMINAL	
PART NO.	COLOR	PART NO.	COLOR	PART NO.	FINISH
V0124-028B-02	BLACK	V0123-028E-01	BLACK	VT009-02 & VT011-02	Sn REFLOW
2	RETAINER	1	PBT	BLACK	-
1	FEMALE HOUSING	1	PBT	BLACK	-
NO.	DESCRIPTION	QTY.	MATERIAL	FINISH/COLOR	REMARKS

- NOTE
- 1.APPLICABLE MALE CONNECTOR PARTS NO. ARE SHOWN IN TABLE 1.
  - 2.COMPLY WITH ELV/RoHS
  - 3.HANDLE OF PRODUCT IN COMPLIANCE WITH HANDLING MANUAL [HDM-0021]
  - 4.POSITION NUMBERS ARE INDICATED.

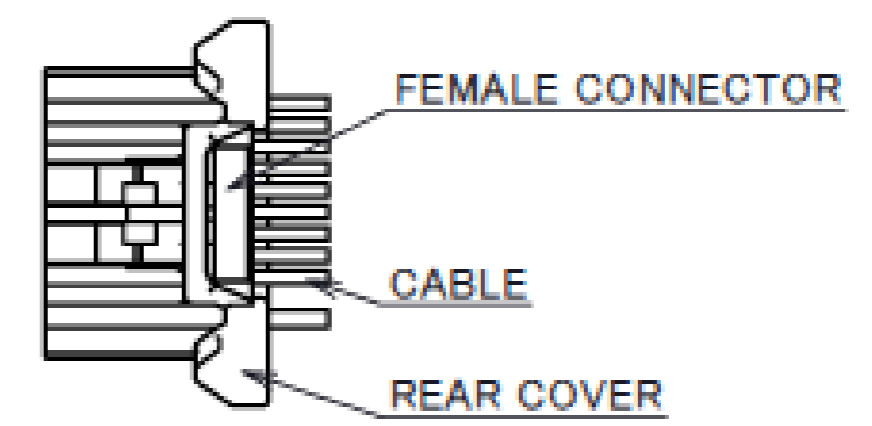
Rev.0

# ISH® (Horizontal Type-Hybrid) REAR COVER (20P):

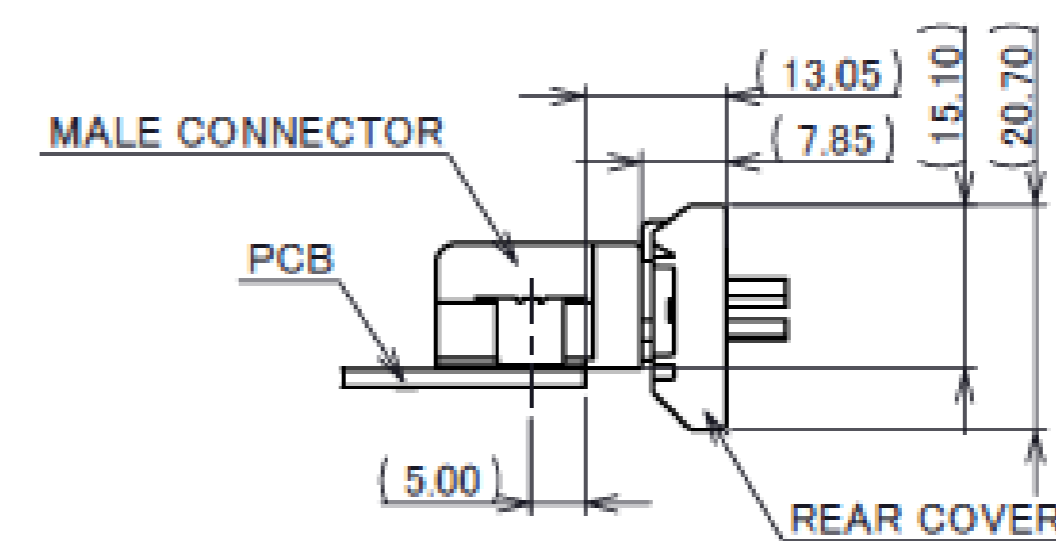
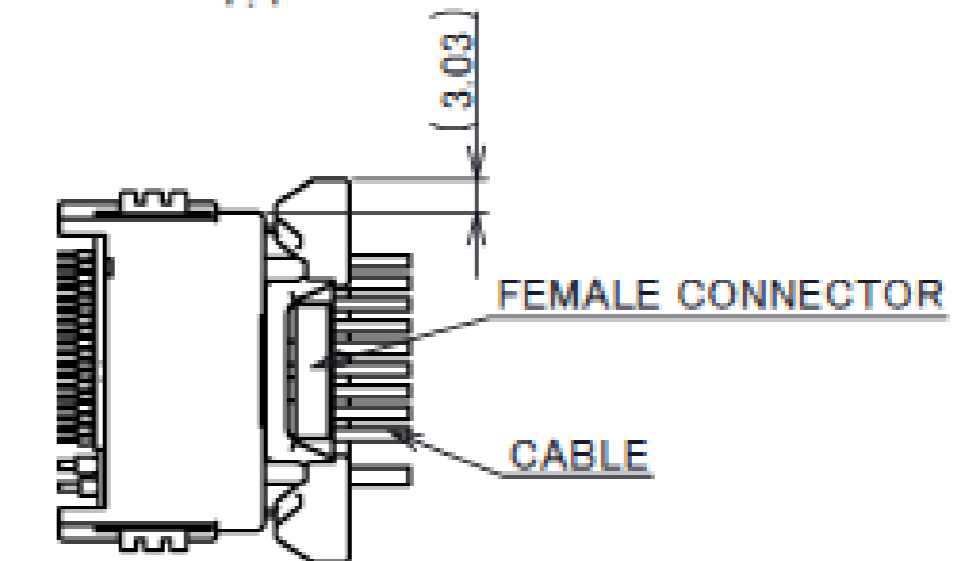
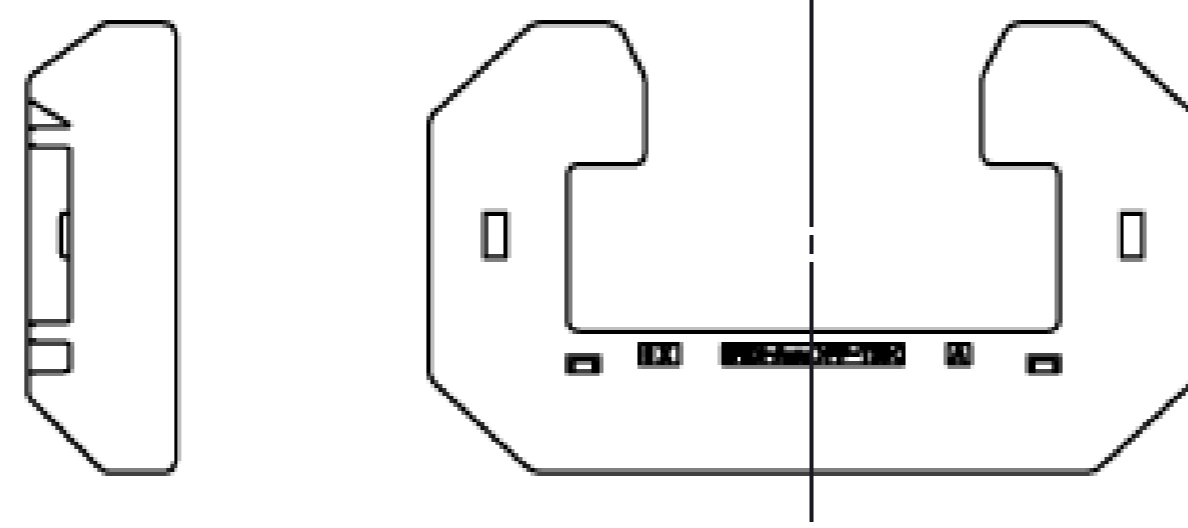
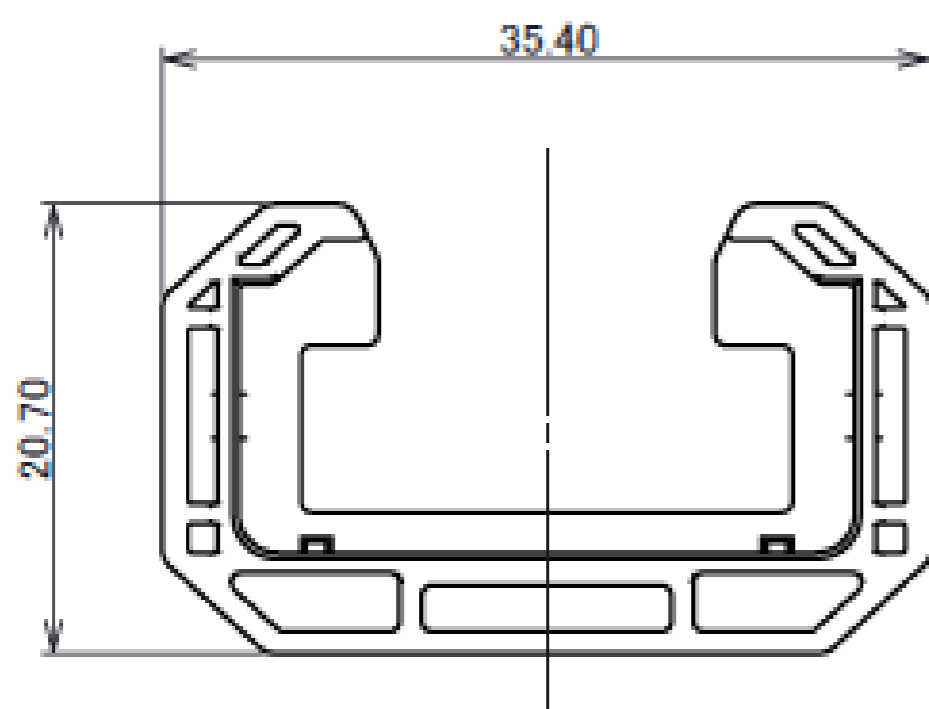
PART NO.
V0124-84020-01



ISOMETRIC VIEW  
1:1



REAR COVER ASSEMBLY  
1:1



MATING STATE  
1:1

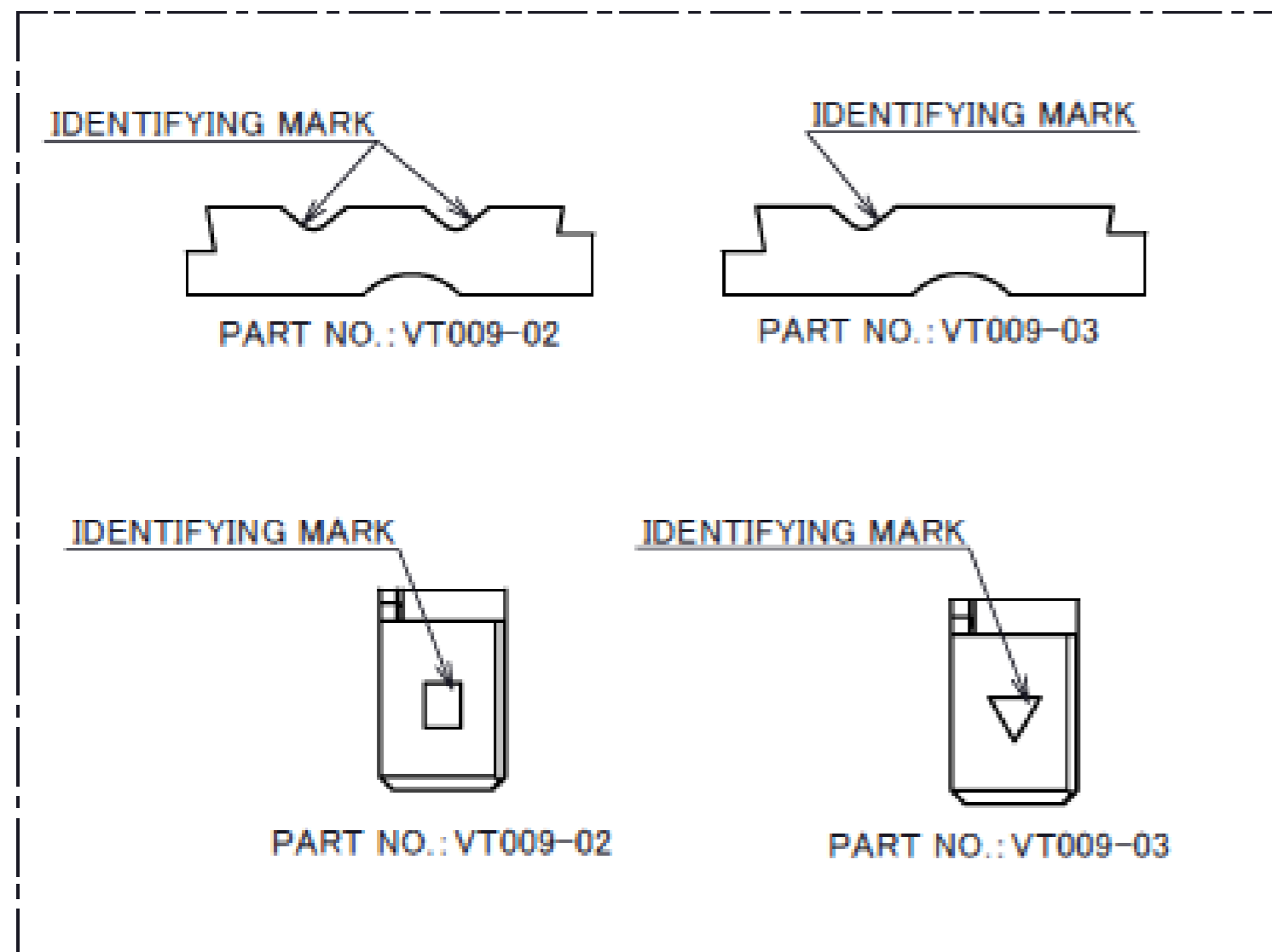
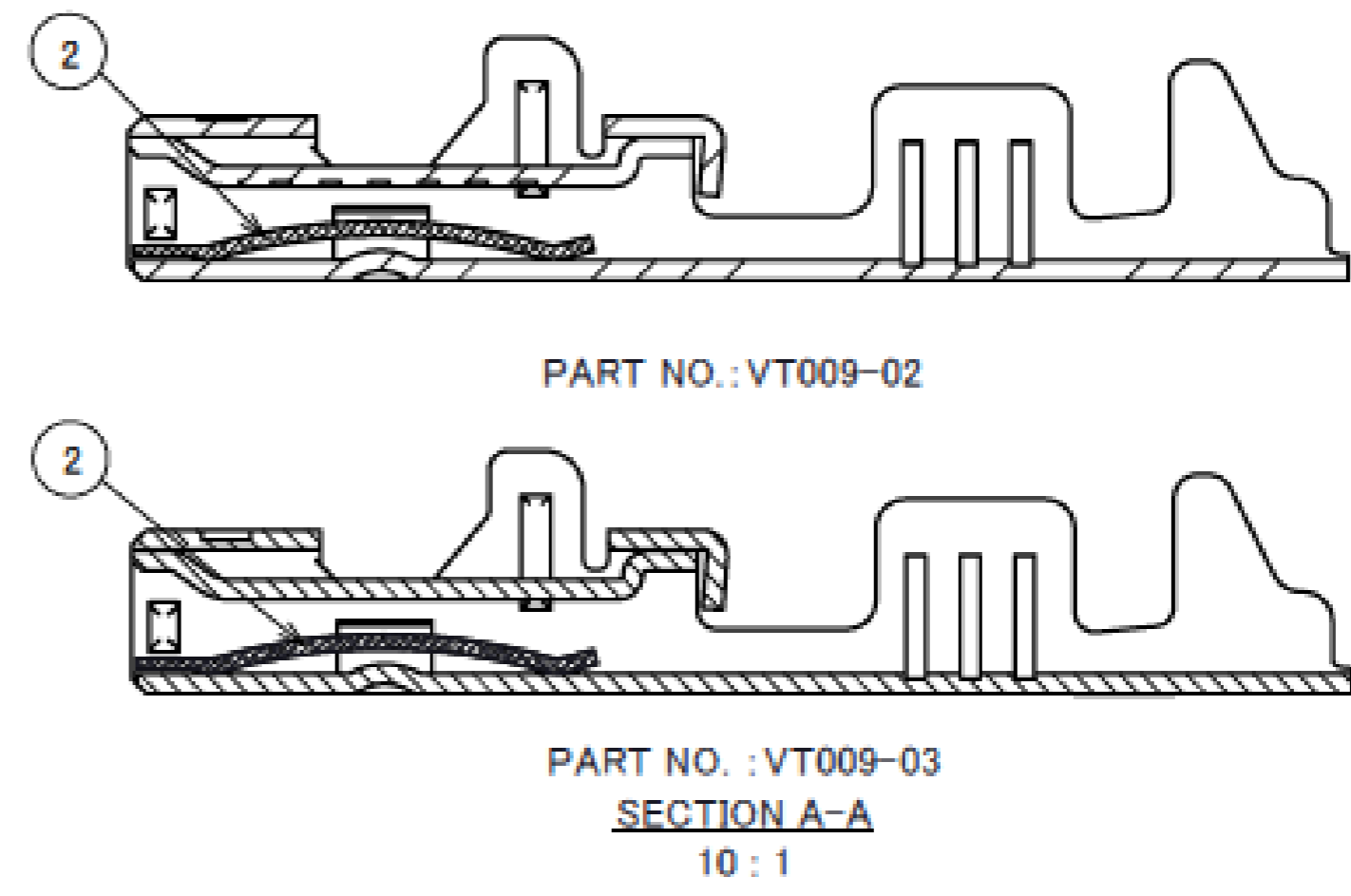
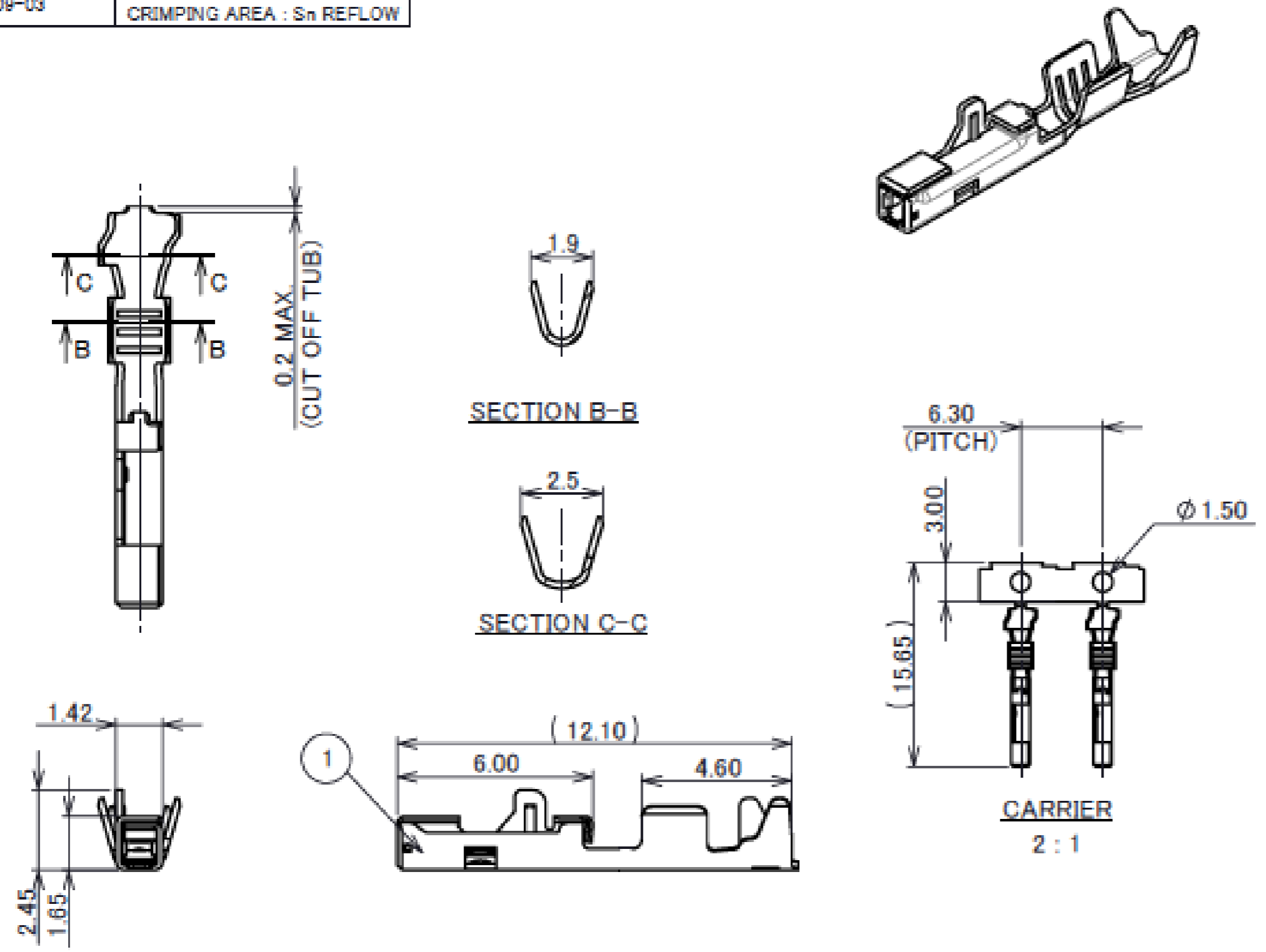
REAR COVER		BLACK	
NO.	DESCRIPTION	MATERIAL	FINISH/COLOR/REMARKS
1	REAR COVER	PP-T30	BLACK

- NOTES
- 1.APPLICABLE PART NO.:  
 \*FEMALE HOUSING...V0124-020B-01(KEY CODING - A)  
 ...V0124-020B-02(KEY CODING - B)
  - 2.COMPLY WITH ELV/RoHS
  - 3.INSERTION FORCE TO FEMALE HOUSING:55N MAX.  
 RETENTION FORCE TO FEMALE HOUSING:30N MIN.

Rev.0

# ISH® (Horizontal Type-Hybrid) TERMINAL (Size 0.5 mm):

PART NO.	PLATING
VT009-02	Sn REFLOW
VT009-03	CONTACT AREA : Au PLATING CRIMPING AREA : Sn REFLOW



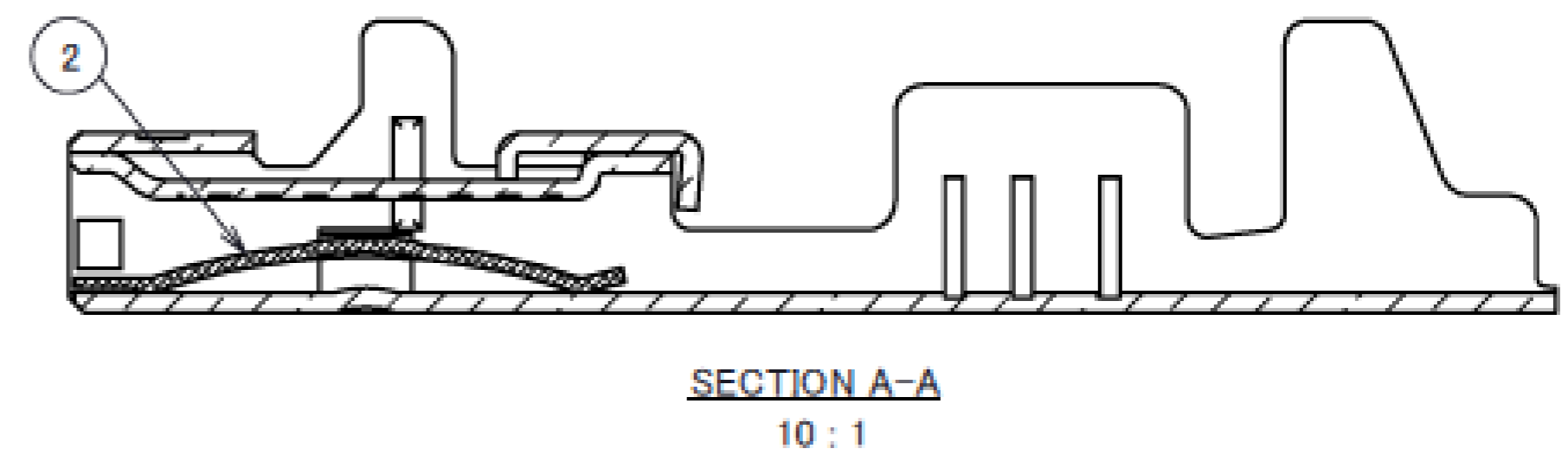
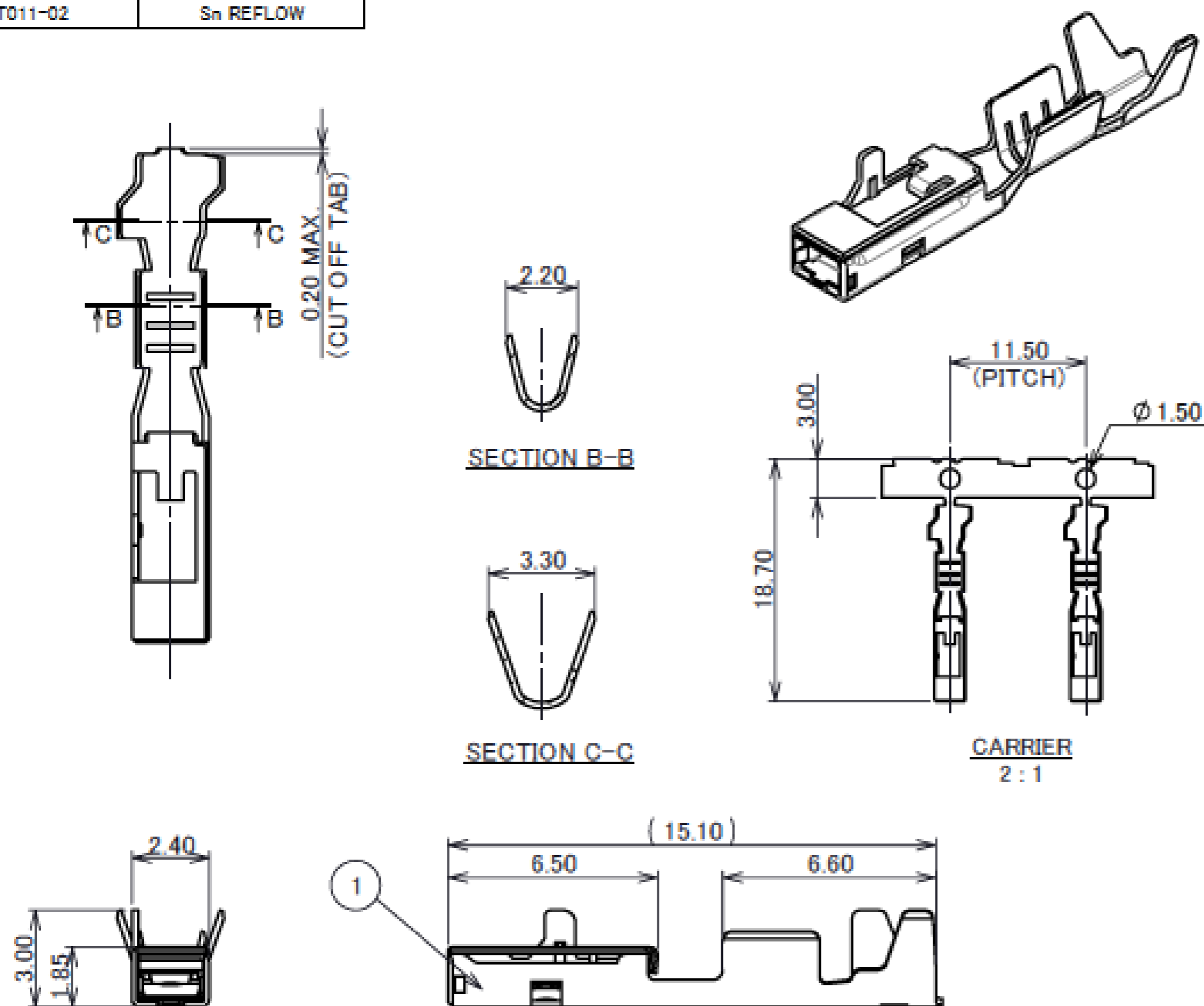
NOTE  
 1. APPLICABLE FEMALE HOUSING: ISH CONNECTOR SERIES  
 2. APPLICABLE CABLE SIZE: 0.3mm<sup>2</sup> / 0.5mm<sup>2</sup> (FINISHED  $\phi$  1.60mm MAX.)  
 3. COMPLY WITH ELV/RoHS.  
 4. TERMINAL CRIMP SPECIFICATION MUST BE COMPLIANT WITH HANDLING MANUAL [HDM-0020].

2	SPRING	COPPER ALLOY	VT009-02 PLATING : Sn REFLOW VT009-03 PLATING : Au PLATING
1	BODY	BRASS	VT009-02 PLATING : Sn REFLOW VT009-03 PLATING : Au PLATING CONTACT AREA : Au PLATING CRIMPING AREA : Sn REFLOW
NO.	DESCRIPTION	MATERIAL	FINISH/COLOR/REMARKS

Rev.0

# ISH® (Horizontal Type-Hybrid) TERMINAL (Size 1.5 mm):

PART NO.	PLATING
VT011-02	Sn REFLOW



NOTE  
 1. APPLICABLE FEMALE HOUSING: ISH CONNECTOR SERIES  
 2. APPLICABLE CABLE SIZE: 0.5mm<sup>2</sup> (FINISHED  $\phi$  1.93mm MAX.)  
 3. COMPLY WITH ELV/RoHS.  
 4. TERMINAL CRIMP SPECIFICATION MUST BE COMPLIANT WITH HANDLING MANUAL [HDM-0021].

2	SPRING	COPPER ALLOY	PLATING : Sn REFLOW
1	BODY	BRASS	PLATING : Sn REFLOW
NO.	DESCRIPTION	MATERIAL	FINISH/COLOR/REMARKS

Rev.0

# Custom Products Available

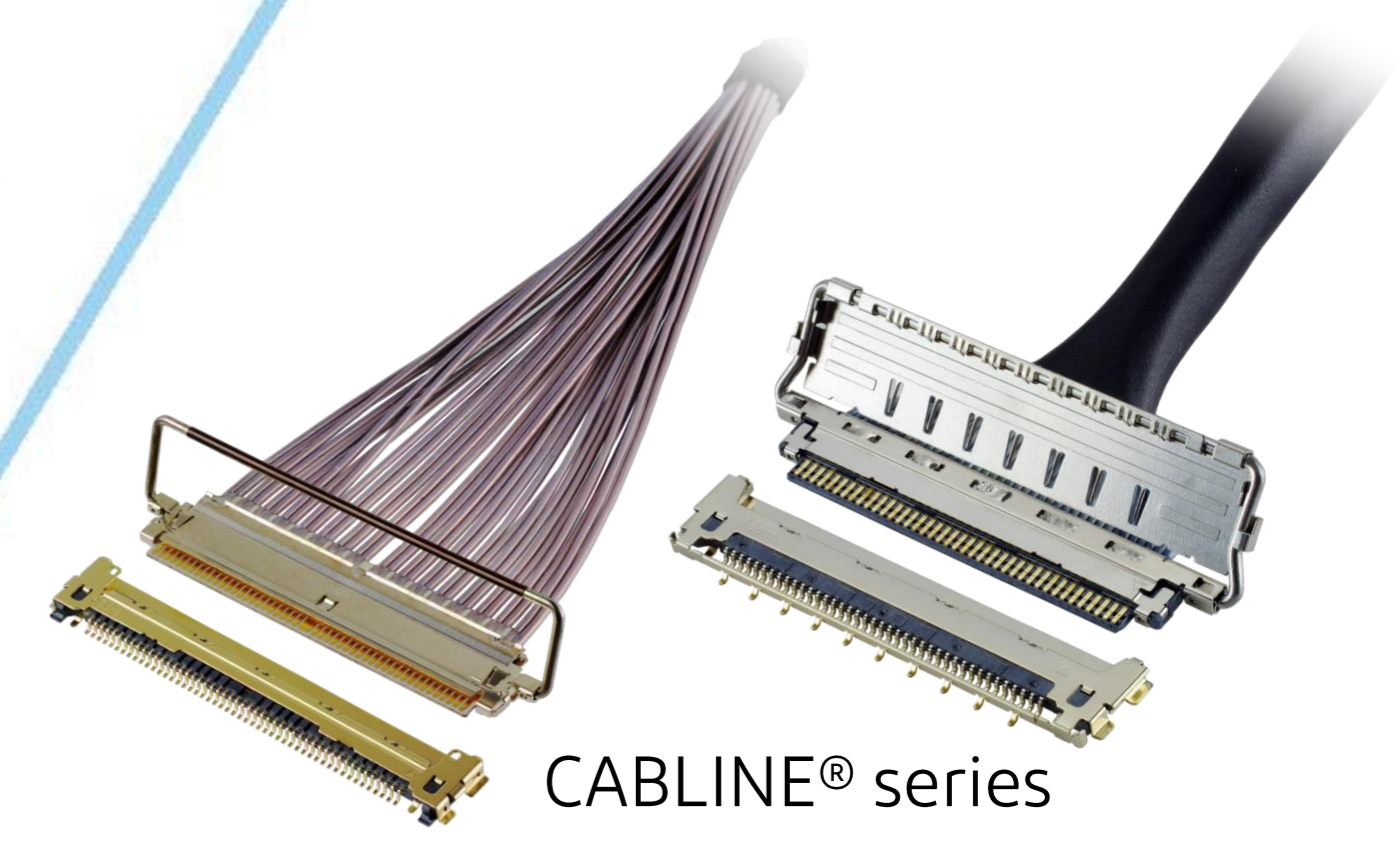
## RF Connector

MHF® series



## Micro-coaxial/Twinax/Discrete Wire Connector

CABLIN® series

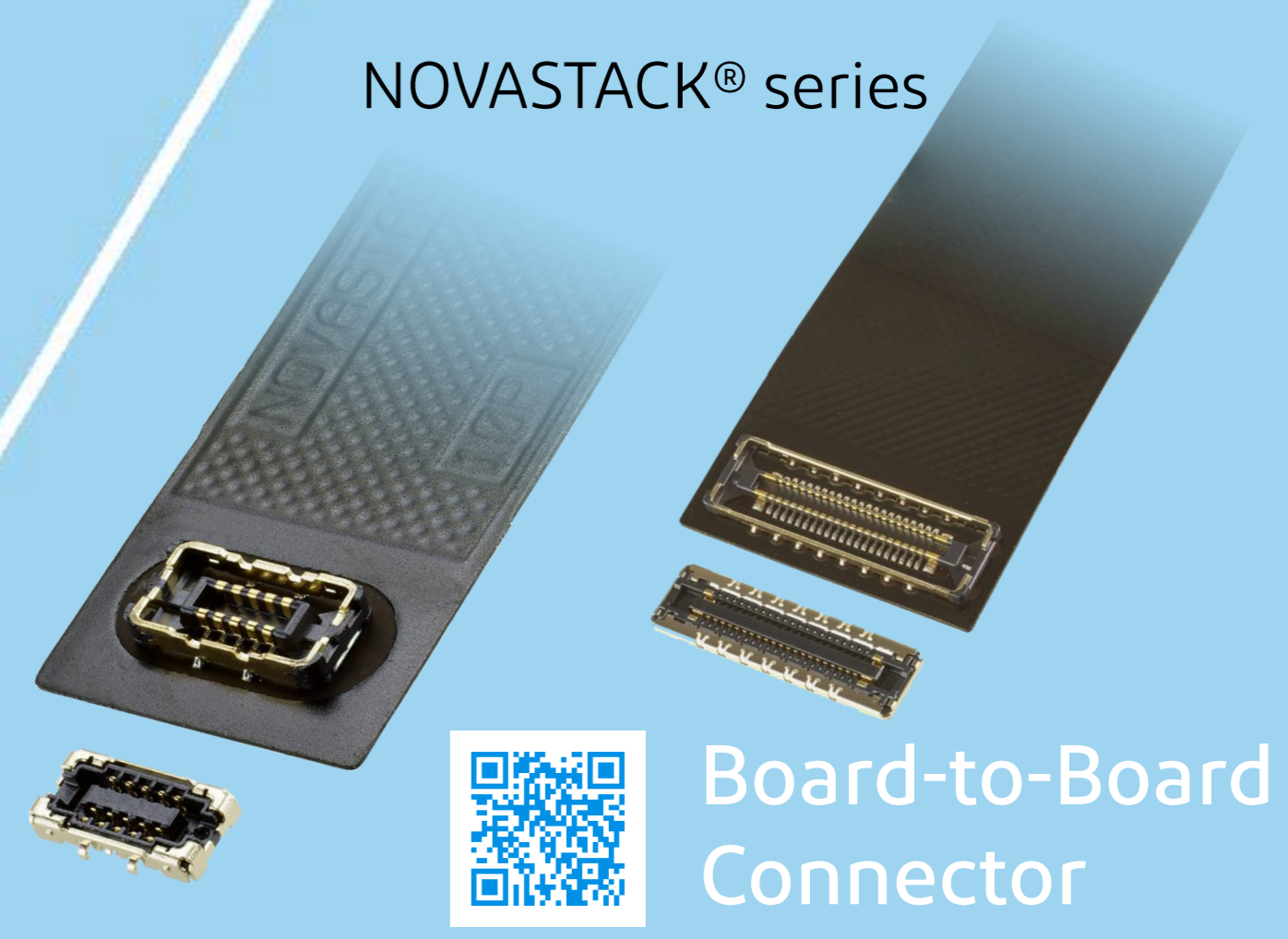


## Optical Module

LIGHTPASS® series



NOVASTACK® series



## Board-to-Board Connector



## Power Connector/Terminal

AP series

ISH® series



MINIFLEX® series

EVAFLEX® series



## FPC FFC Connector



## Inquiry



MINIDOCK® series



## I/O Connector

I-PEX, MHF, CABLINE, LIGHTPASS, NOVASTACK, ISH, IARPB, MINIFLEX, EVAFLEX, MINIDOCKS and ZenShield are registered trademarks of I-PEX Inc. Please note that the contents in the catalog might be changed without prior notification. I-PEX Inc. assumes no responsibility for any inaccuracies or obligation to update information on these documents. Please be sure to read and understand the latest "Precautions for Use" and "Instruction Manual" before you use our products. We shall not be responsible for any defects, damages or troubles in case you use our products without following the precautions for use. Please feel free to contact our sales representatives when you use our products for any applications that require very high reliability and safety, or that relate to human life (ex. nuclear power control, aerospace, transportation, medical equipment, safety equipment etc.).

Contact your sales representative or more detailed information.

[www.i-pex.com](http://www.i-pex.com)



# I-PEX

© I-PEX Inc. 2024  
All rights reserved