

IARPB[®]

抗振動, 壹體式, 線對板連接器

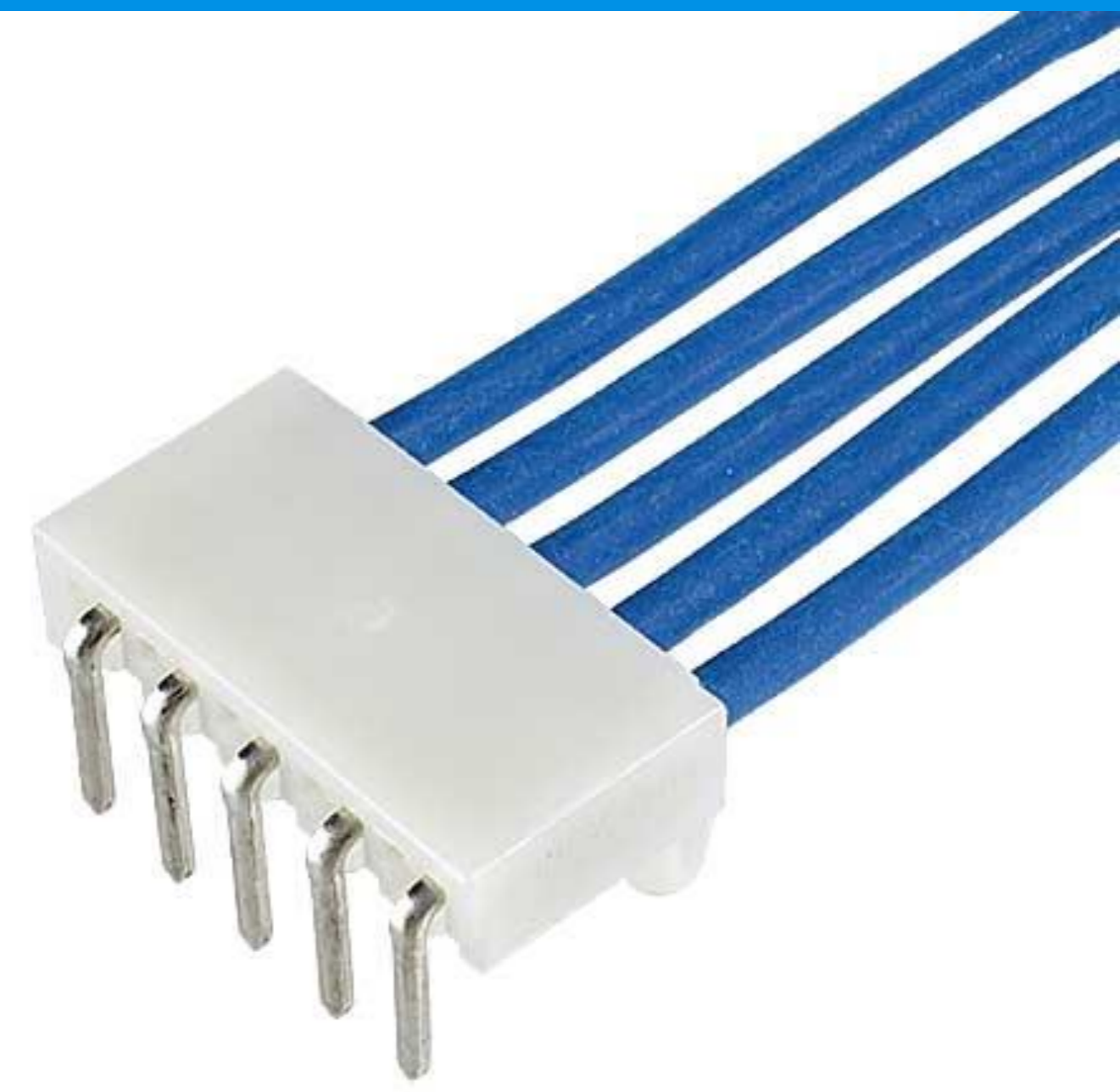
Product Specifications:

Pitch (mm max.)	2.5	
Contact Size (mm)	Φ0.7	
Mated Height (mm max.)	3.30 (2,3,4,5P) 3.80 (6P)	
Width formula (mm)	Single row: 1.2+2.5*?pin	
Operating Temperature	-40 - 105°C	
Vibration Resistance	10G	
Current Rating	3A per pin	
Voltage Rating	250V	
Withstand Voltage	AC 1000V/minute	
Plating	Sn	
Housing	PBT GF15	
Pin counts	Range	Up to 6
	Available	2, 3, 4, 5, 6

Applicable Cable Size:

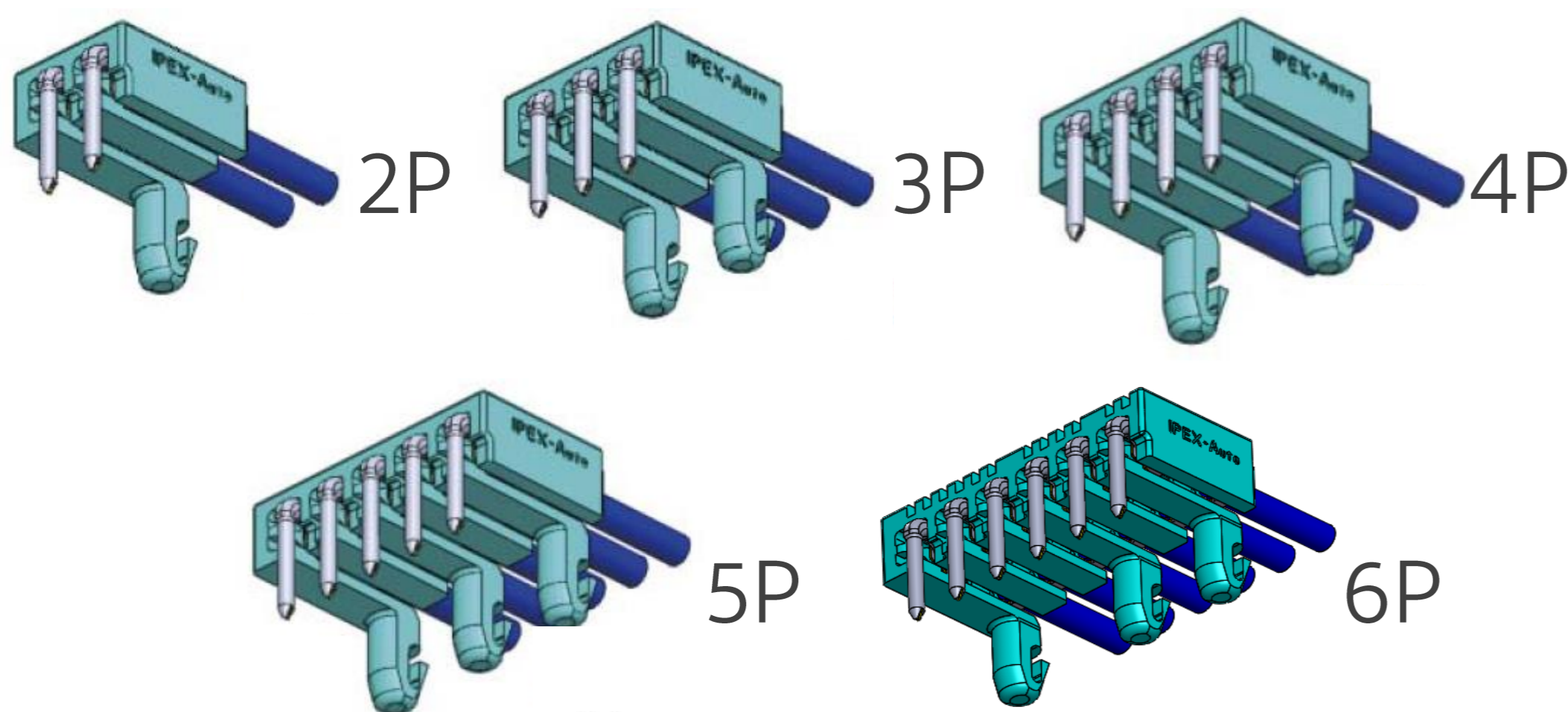
AWG#22 *Insulation Diameter 1.67 mm max.

*如您需要瞭解未列出或不在上述範圍內的Pin數，請諮詢我們

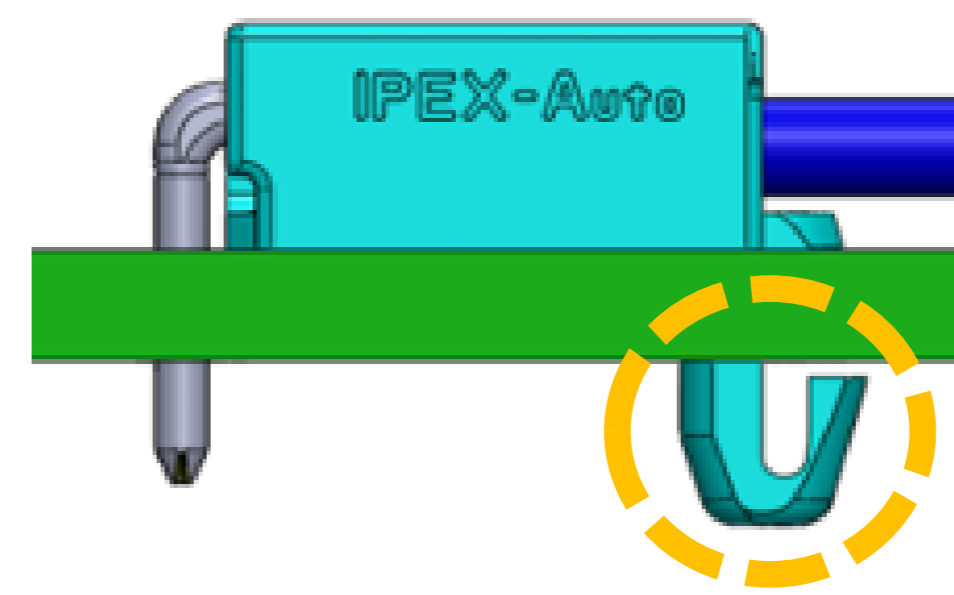


▶ 本體的柱結構提供優秀的保持力, 在高振動環境下提供穩定的電氣性能

塑膠本體上的凸台結構確保高耐振性

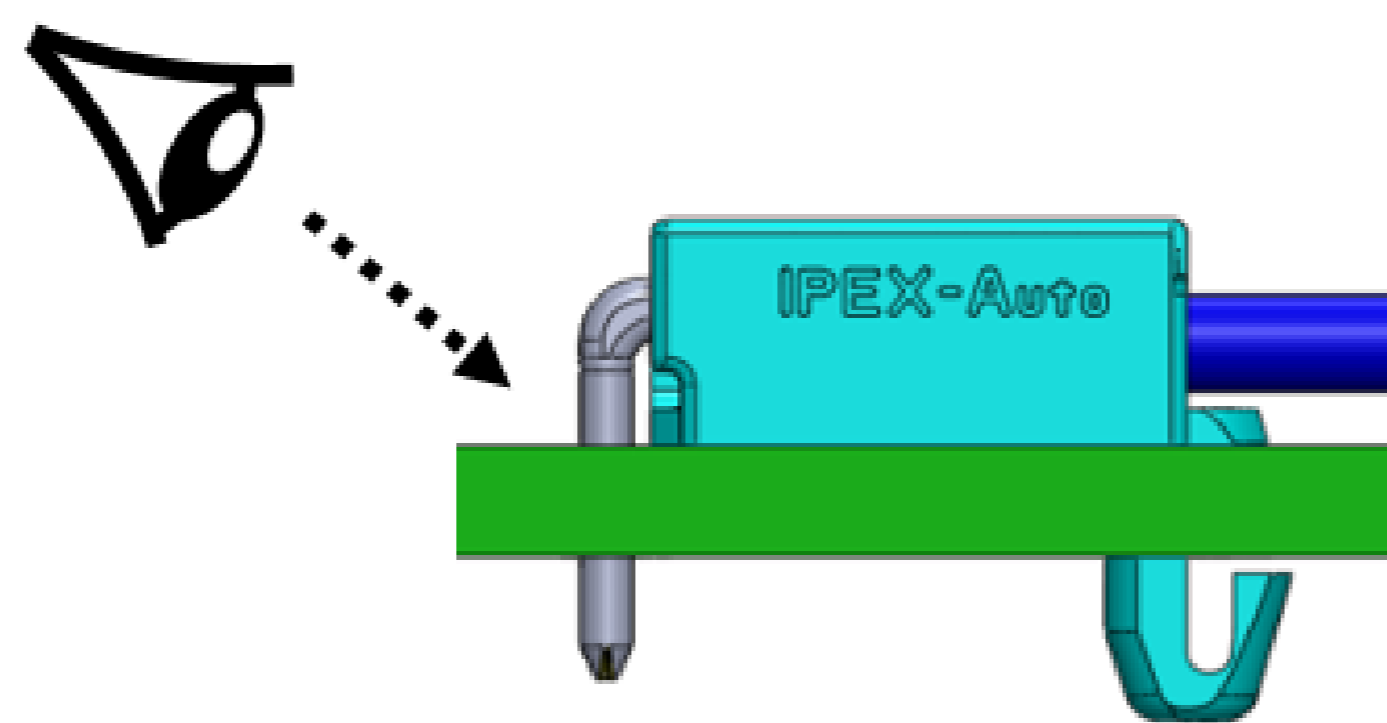


凸台固定於PCB板, 能夠吸收振動, 防止在振動對端子產生壓力



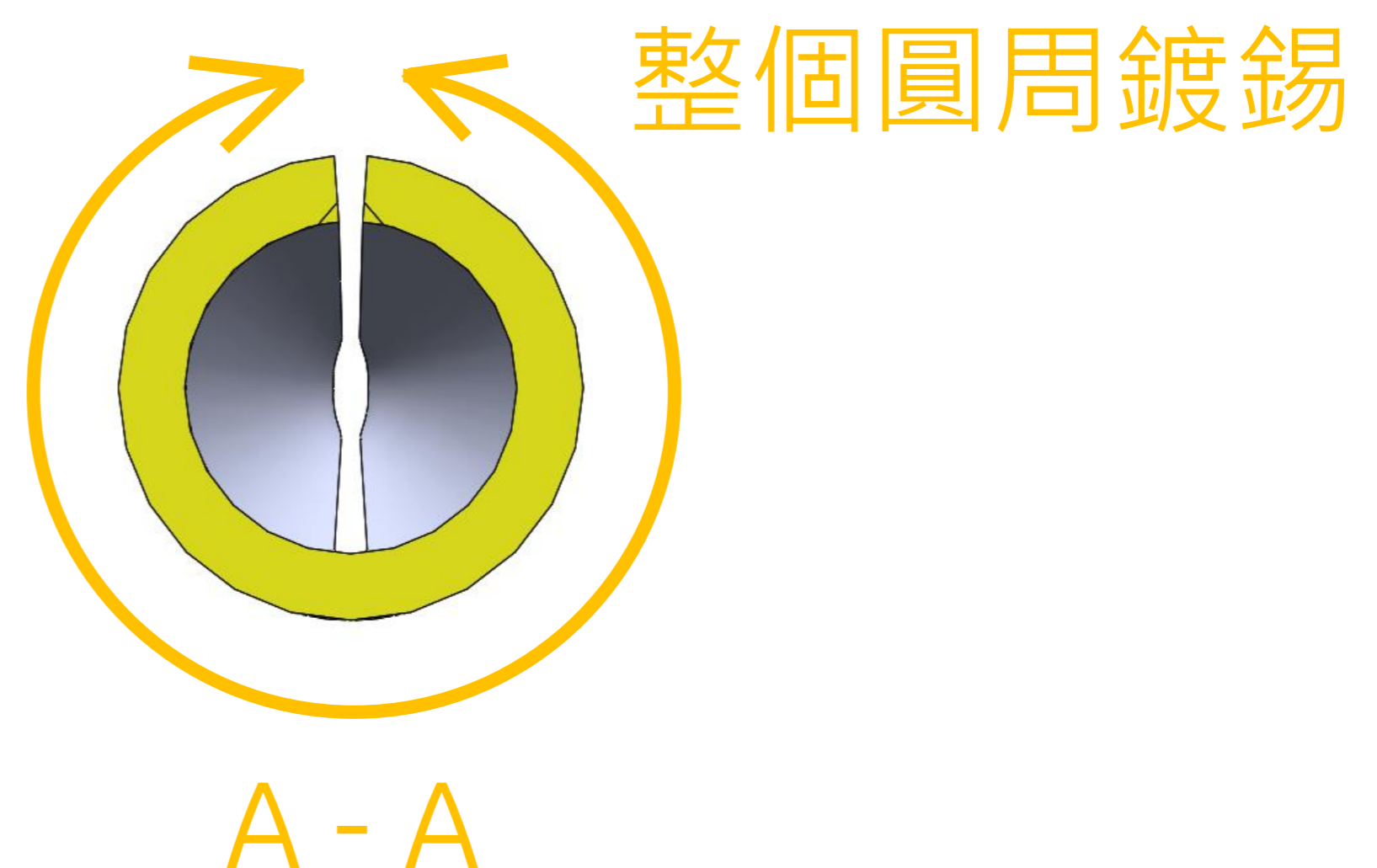
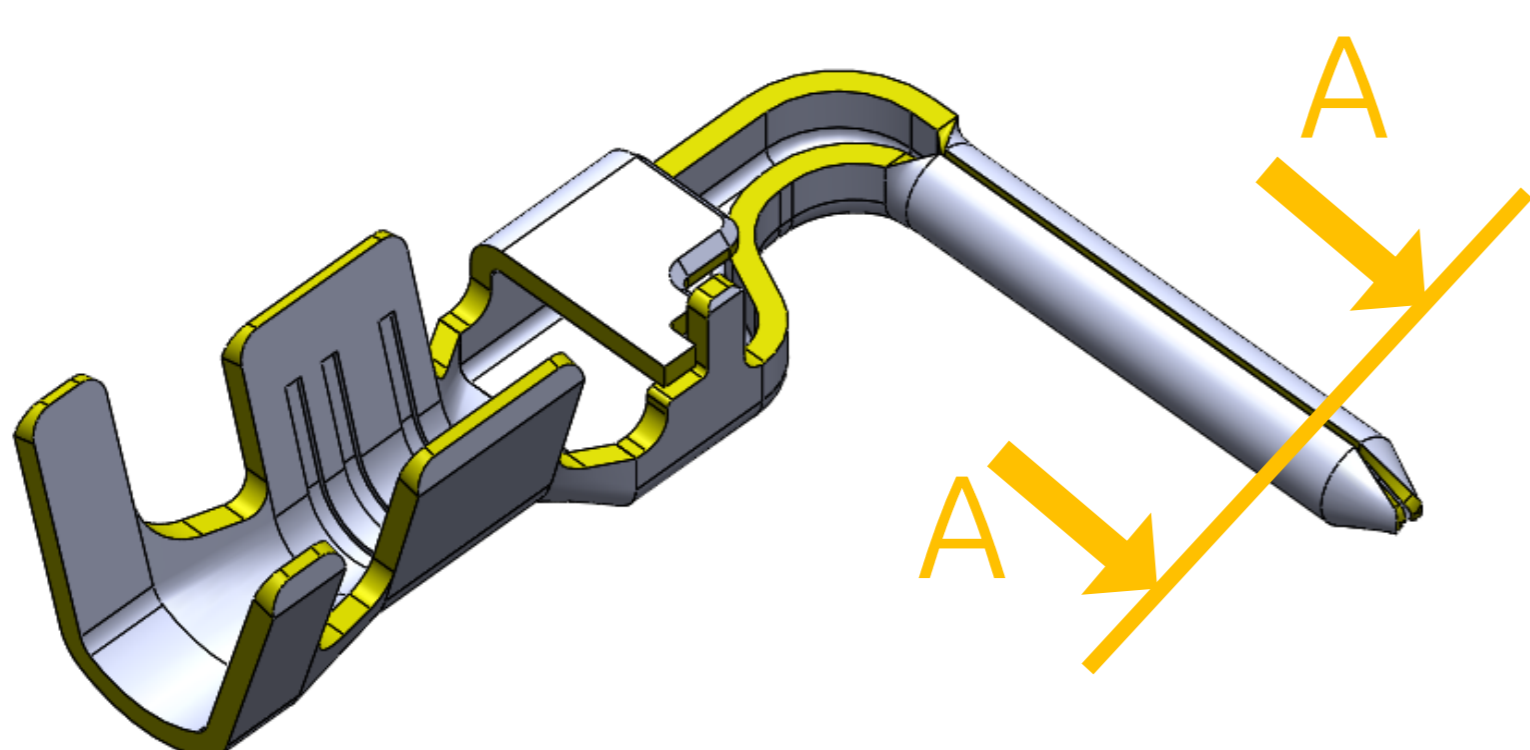
▶ 設計簡單, 易於檢查焊接連接

產品安裝時能夠清晰看到端子位置, 可以防止由於插偏導致的端子變形
即使從上部也能容易的判別焊接後的情況, 可以降低檢查成本
焊錫部位既可以在PCB下面, 也可在上面



▶ 全圈電鍍, 可焊性穩定

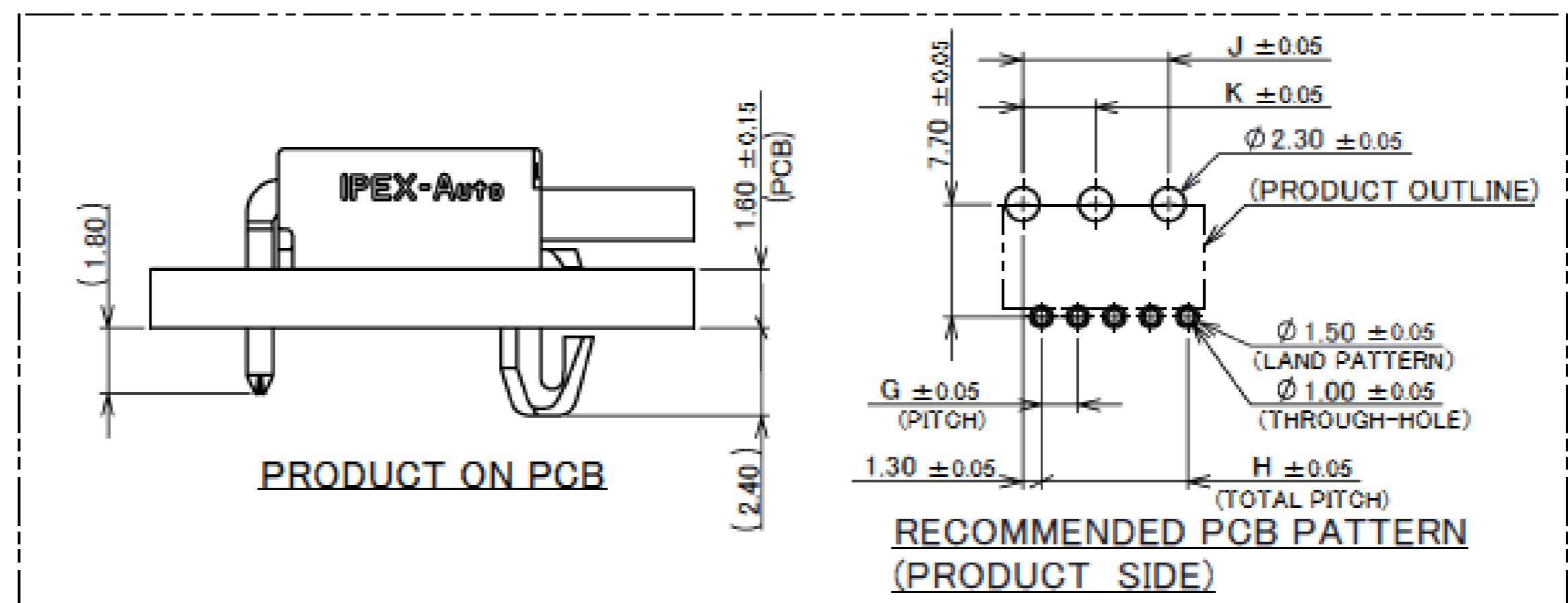
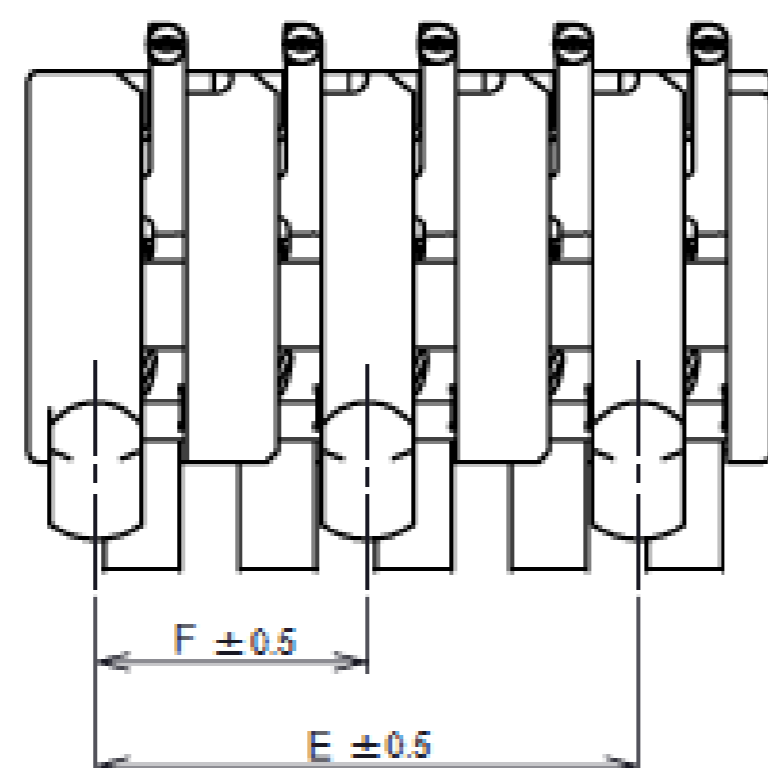
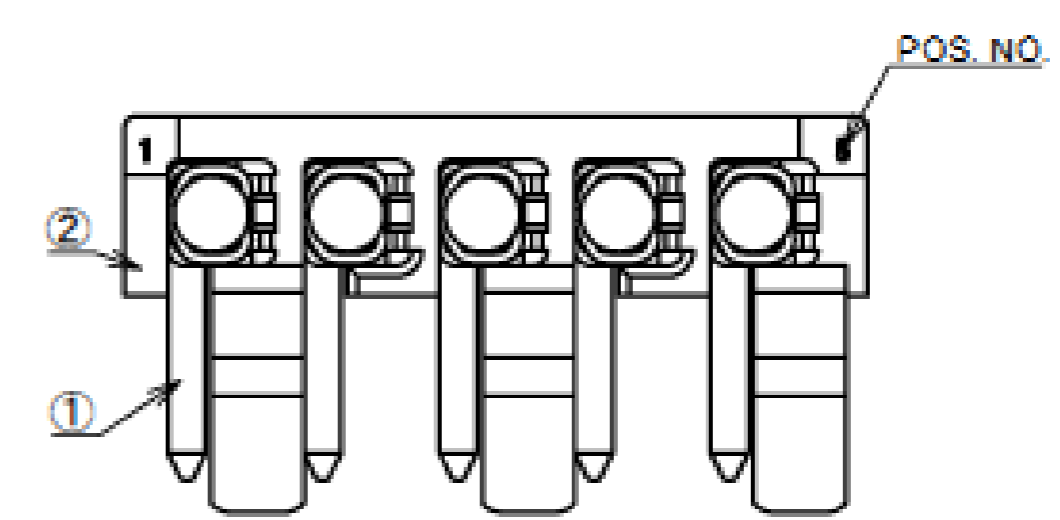
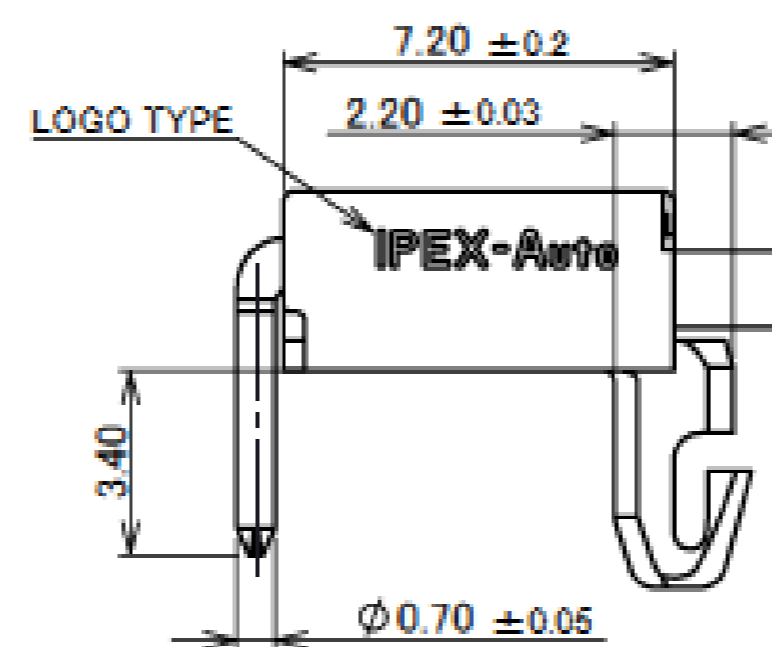
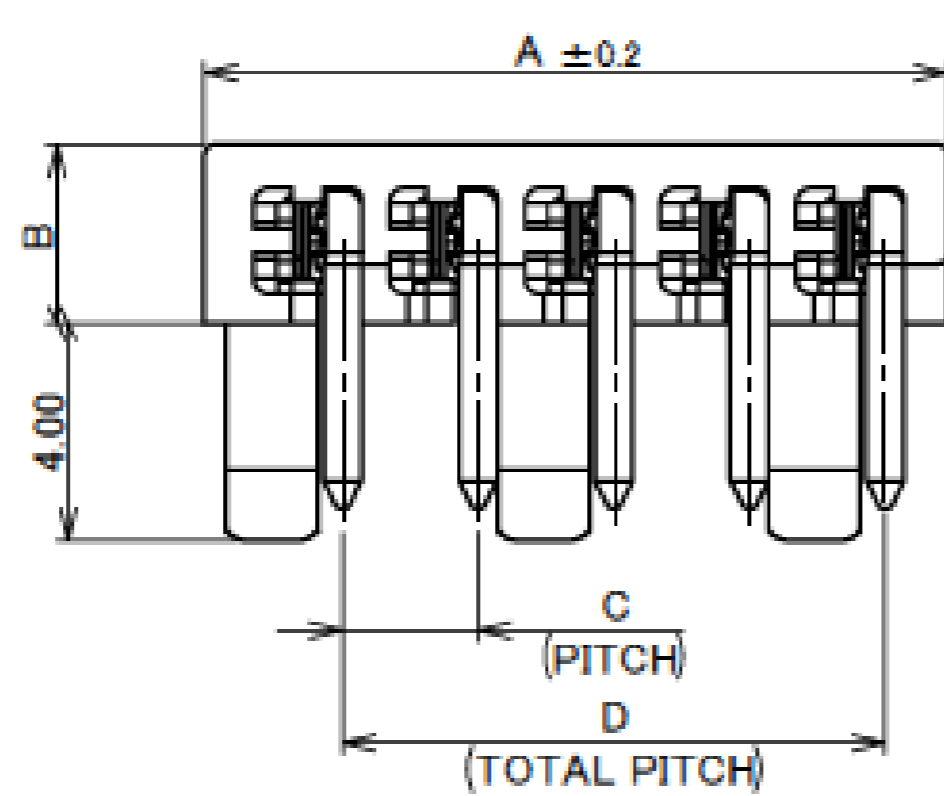
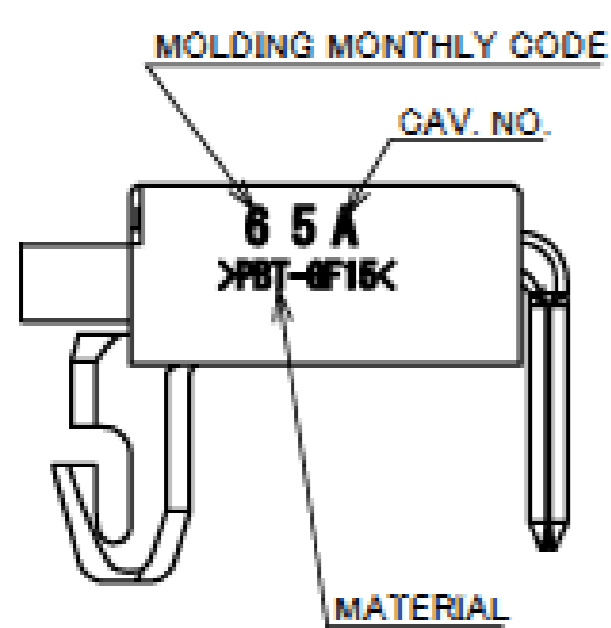
前電鍍端子衝壓成圓形, 鍍錫層覆蓋整個圓周, 確保良好的可焊性



Component Parts Details

IARP® CONNECTOR ASS'Y:

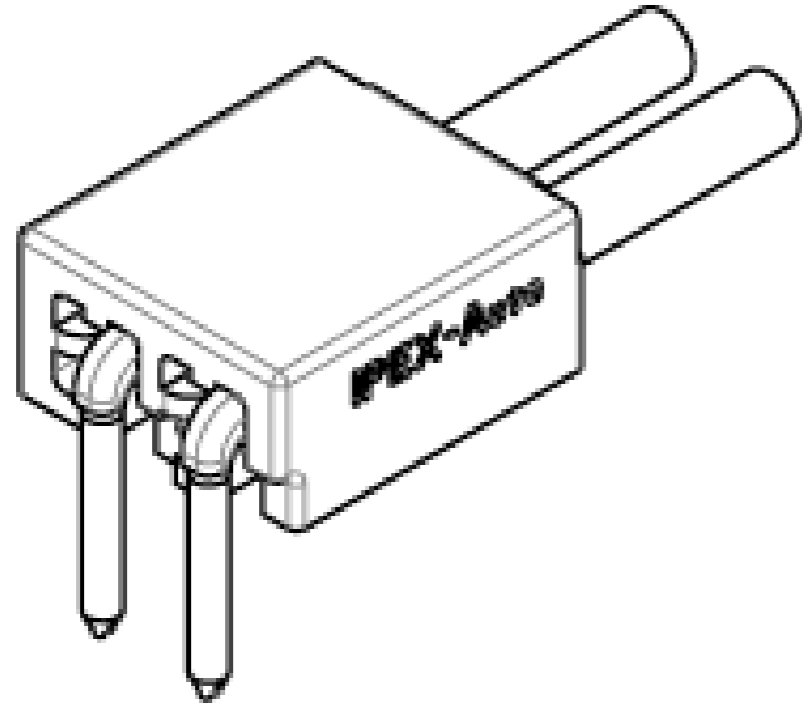
VARIATIONS	SET PARTS NO.	A	B	C	D	E	F	G	H	J	K
2P	V0125-002A-01	6.20	3.30	-	2.50	-	-	-	2.50	-	-
3P	V0125-003A-01	8.70	3.30	2.50	5.00	5.00	-	2.50	5.00	5.00	-
4P	V0125-004A-01	11.20	3.30	2.50	7.50	7.50	-	2.50	7.50	7.50	-
5P	V0125-005A-01	13.70	3.30	2.50	10.0	10.0	5.00	2.50	10.0	10.0	5.00
6P	V0125-006A-01	16.20	3.80	2.50	12.5	12.5	7.50	2.50	12.5	12.5	7.50



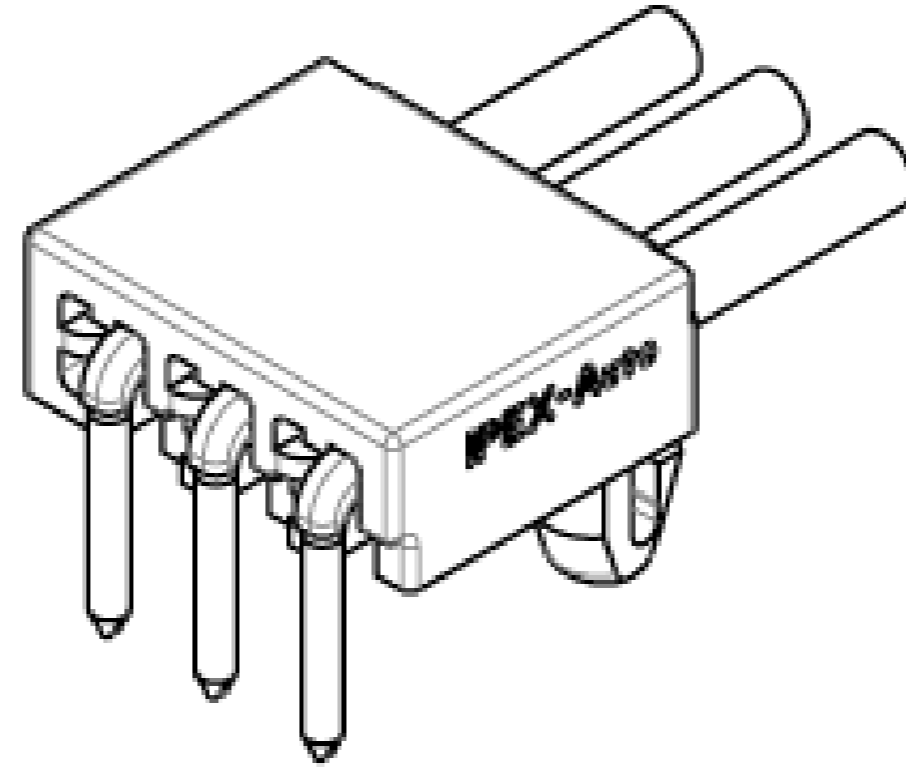
2	HOUSING	GLASS FILLED PBT	NATURAL
1	TERMINAL	BRASS	REFLOW Sn
NO.	DESCRIPTION	MATERIAL	FINISH/COLOR/REMARKS

- NOTE
1. CABLE: 0.3mm² (FINISHED Φ 1.67mm MAX.)
 2. COMPLY WITH ELV/RoHS
 3. PRODUCT SPECIFICATION NO.: PSS-0037
 4. HANDLING MANUAL NO.: HDM-0025

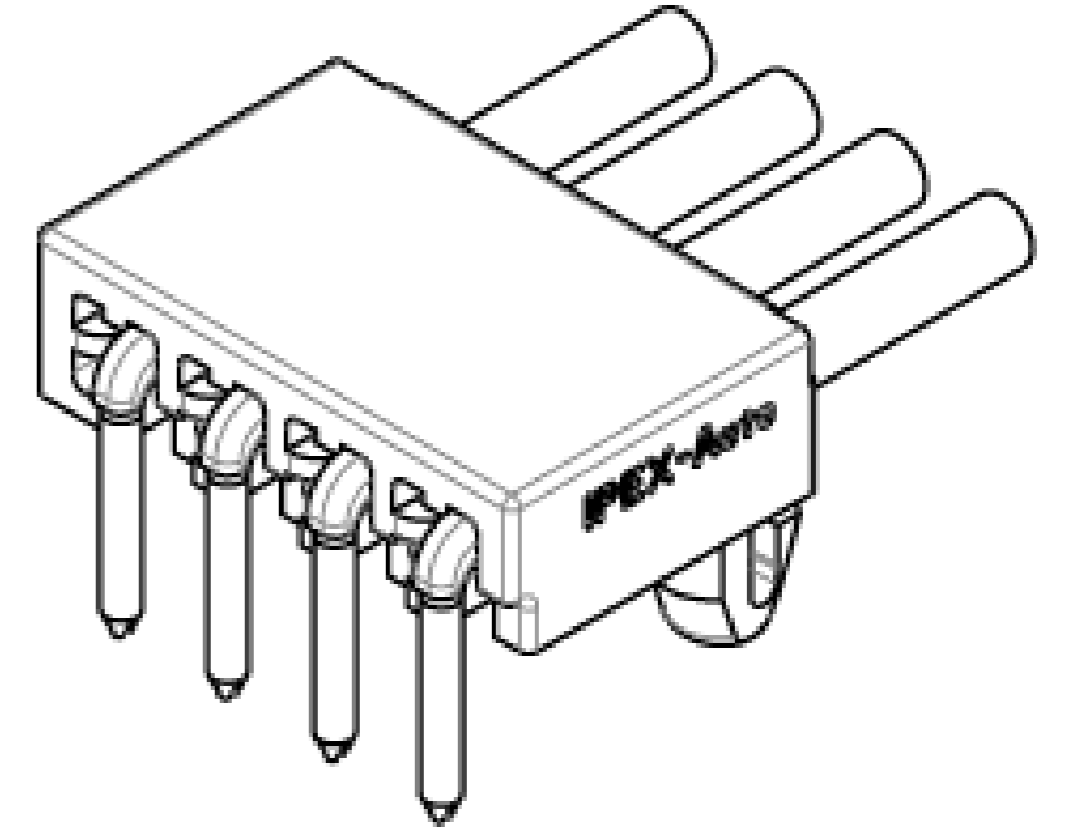
IARPB® CONNECTOR ASS'Y:



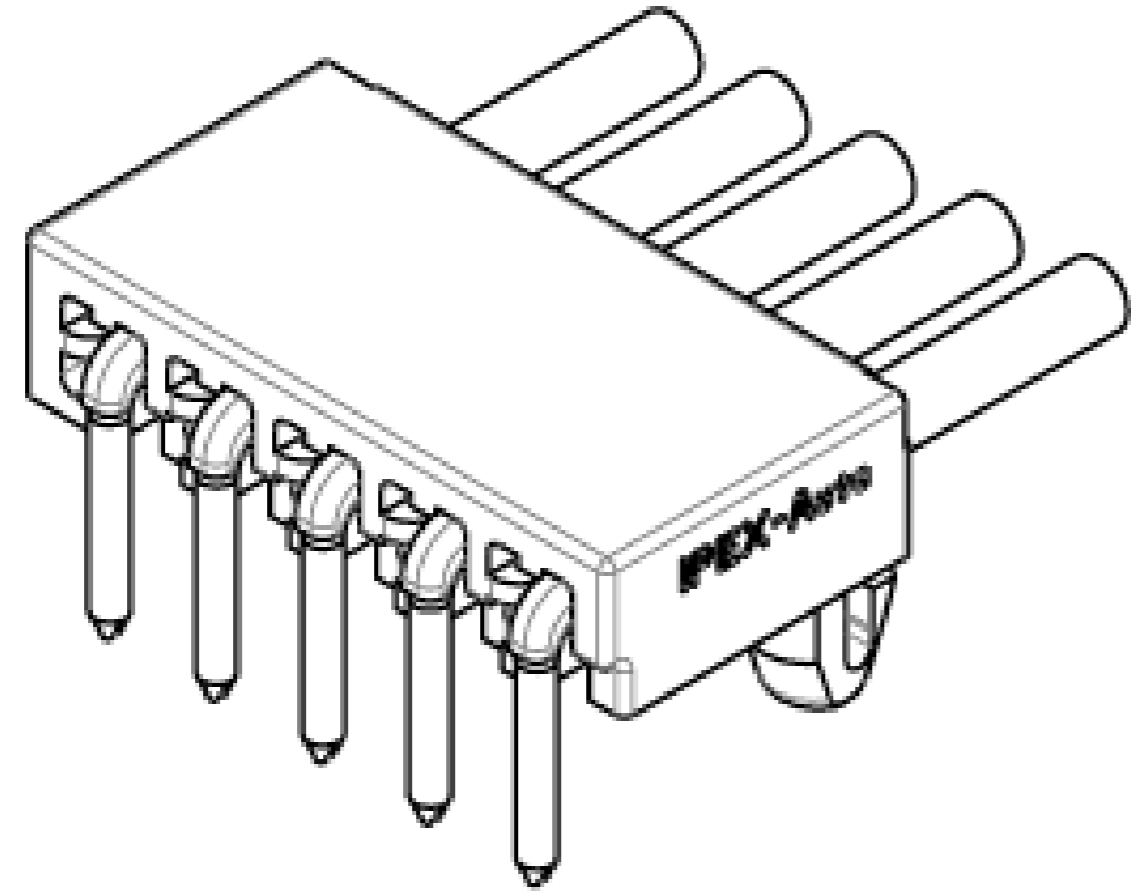
IARPB CONNECTOR 2P
SET PARTS NO. V0125-002A-01



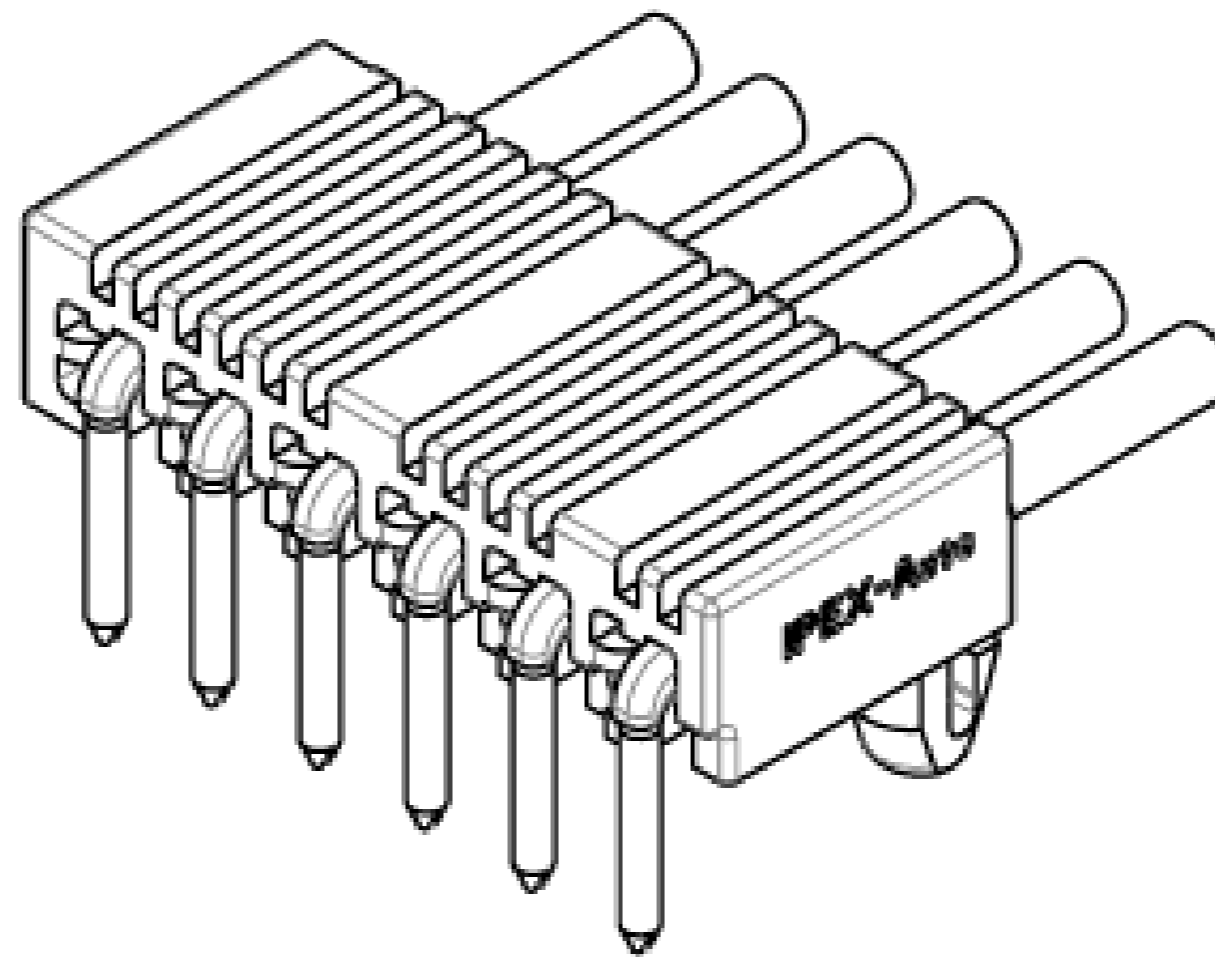
IARPB CONNECTOR 3P
SET PARTS NO. V0125-003A-01



IARPB CONNECTOR 4P
SET PARTS NO. V0125-004A-01



IARPB CONNECTOR 5P
SET PARTS NO. V0125-005A-01

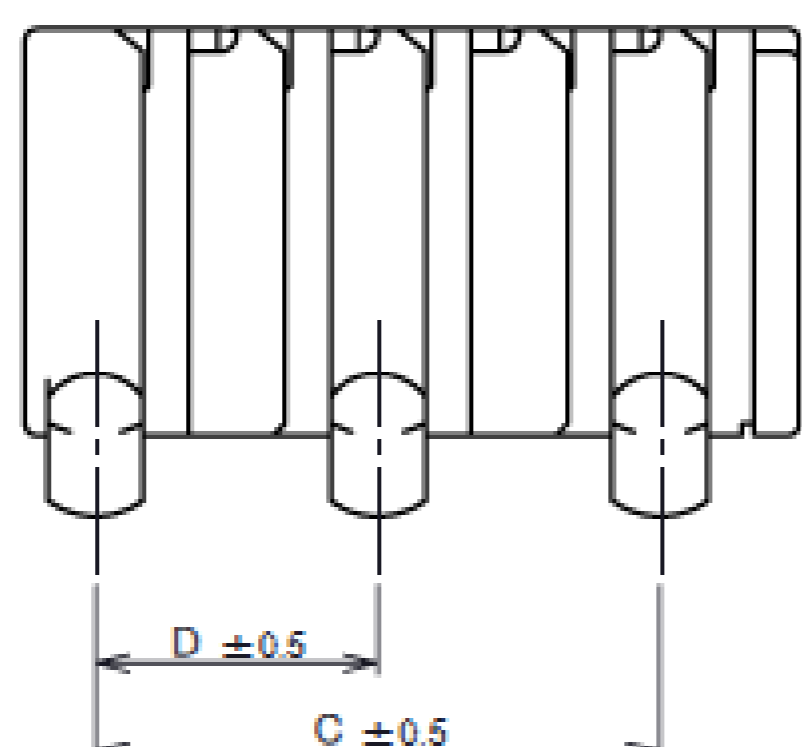
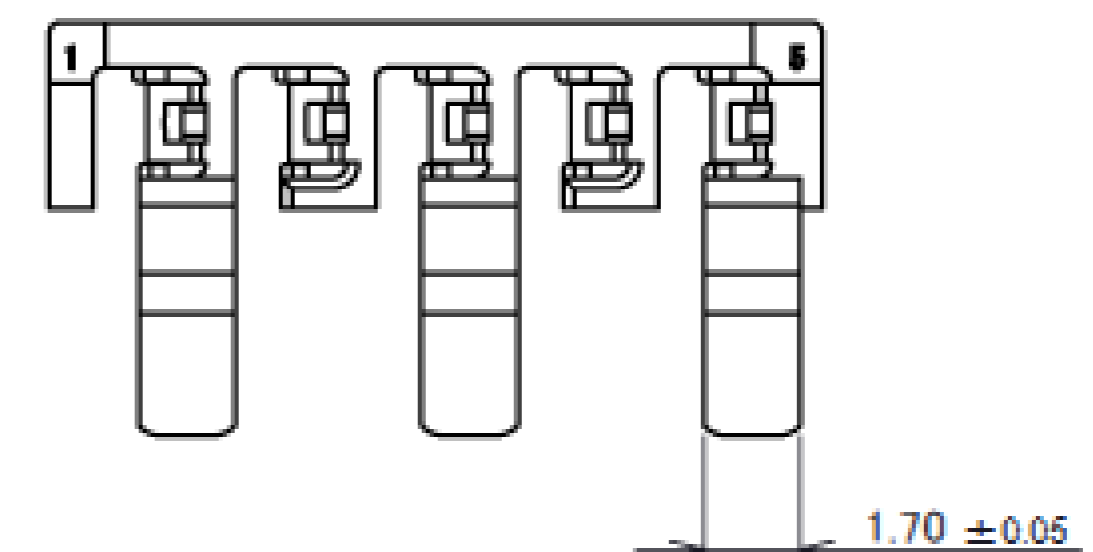
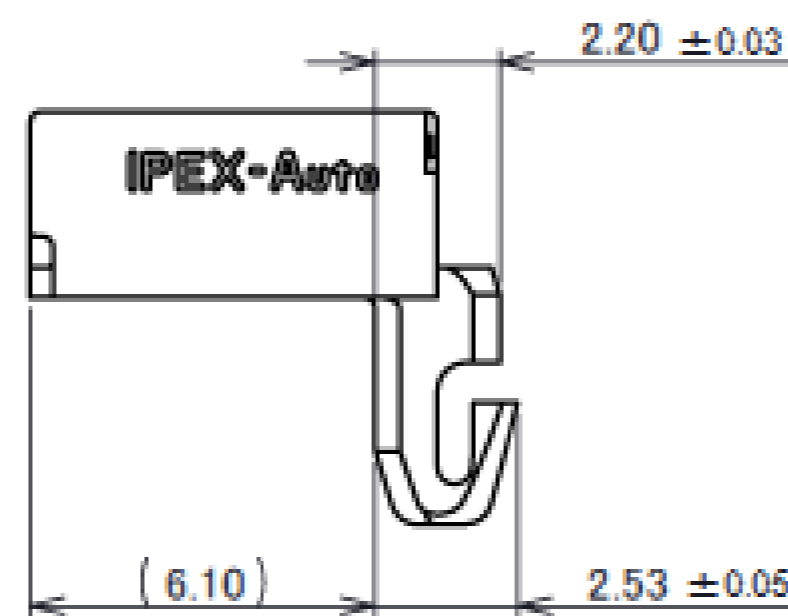
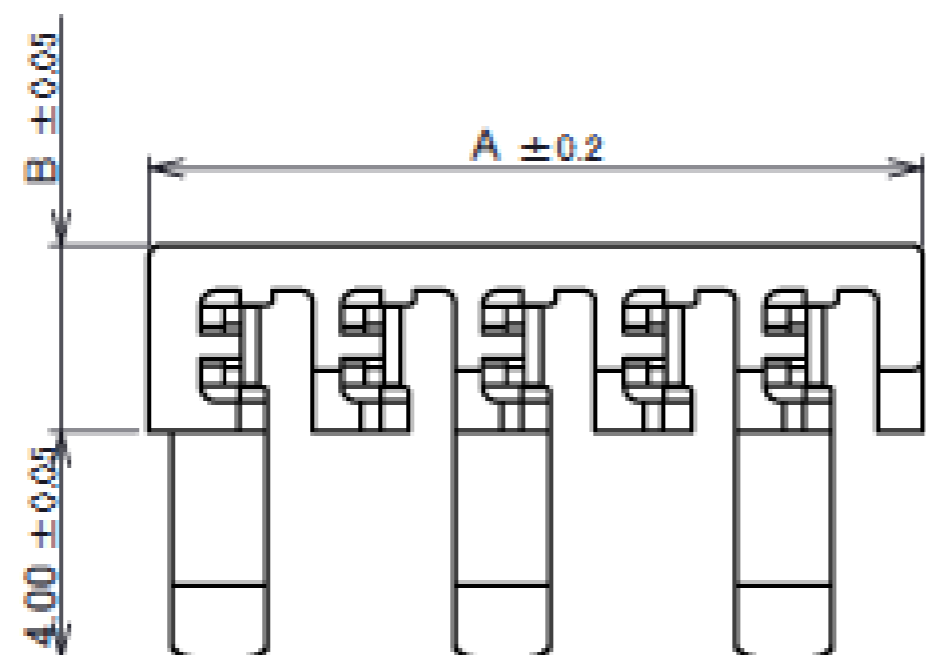
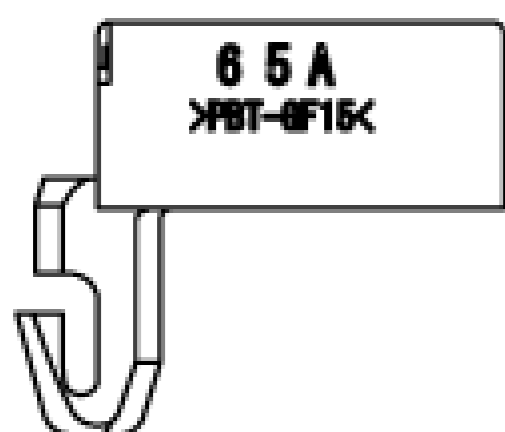
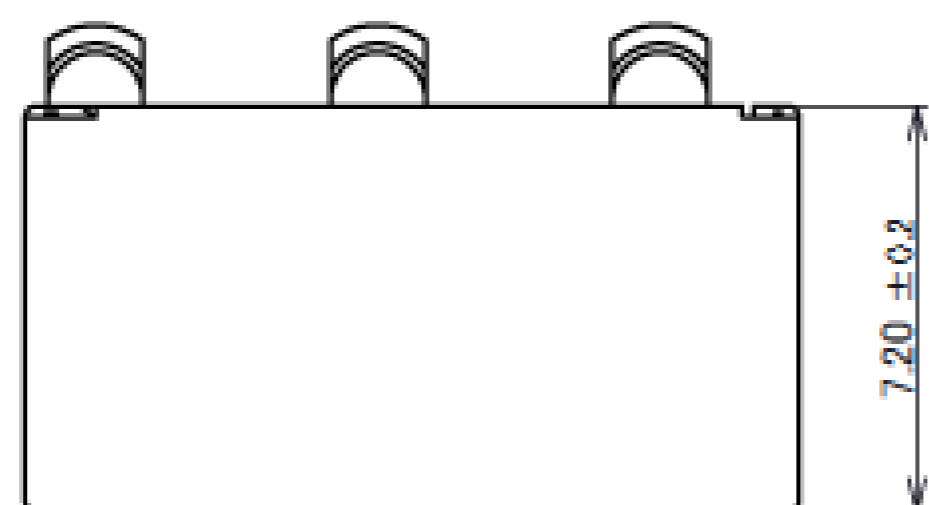


IARPB CONNECTOR 6P
SET PARTS NO. V0125-006A-01

Rev.4

IARPB® CONNECTOR HOUSING:

VARIATIONS	PARTS NO.	A	B	C	D
2P	V0125-91002-01	6.20	3.30	-	-
3P	V0125-91003-01	8.70	3.30	5.00	-
4P	V0125-91004-01	11.20	3.30	7.50	-
5P	V0125-91005-01	13.70	3.30	10.0	5.00
6P	V0125-91006-01	16.20	3.80	12.5	7.50

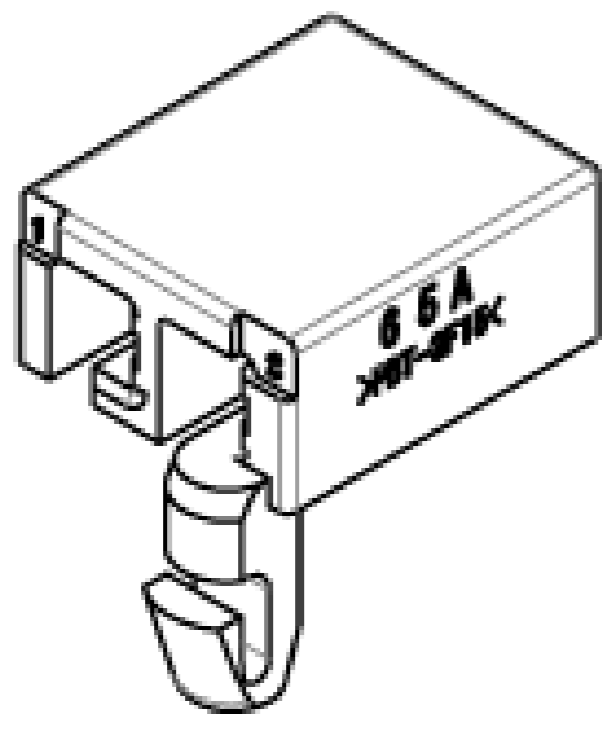


- NOTE
1. TERMINAL...P/N: V0125-71001-01
 2. COMPLY WITH ELV/RoHS
 3. PRODUCT SPECIFICATION NO.: PSS-0037
 4. HANDLING MANUAL NO.: HDM-0025

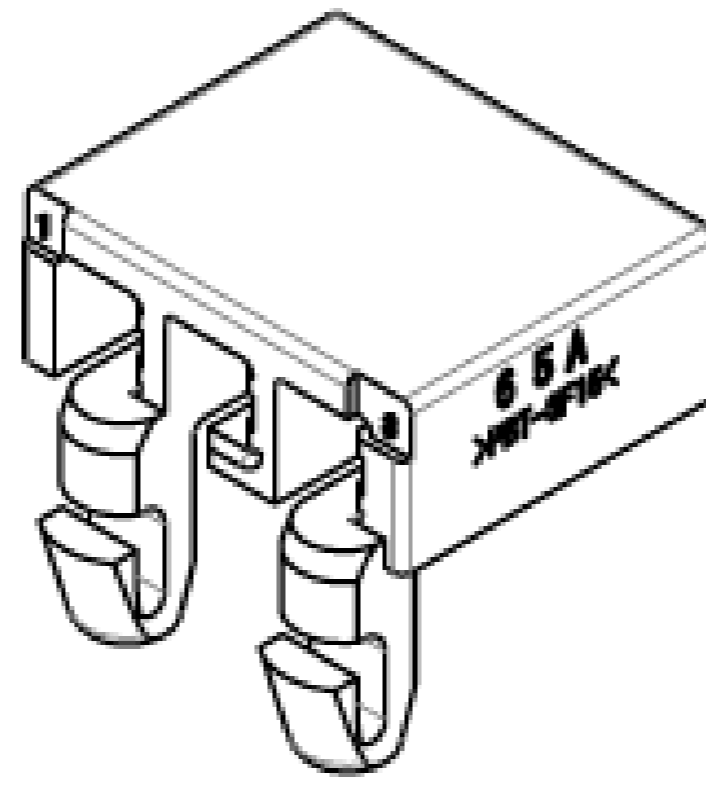
NO.	DESCRIPTION	MATERIAL	FINISH/COLOR/REMARKS
1	HOUSING	GLASS FILLED PBT	NATURAL

Rev.4

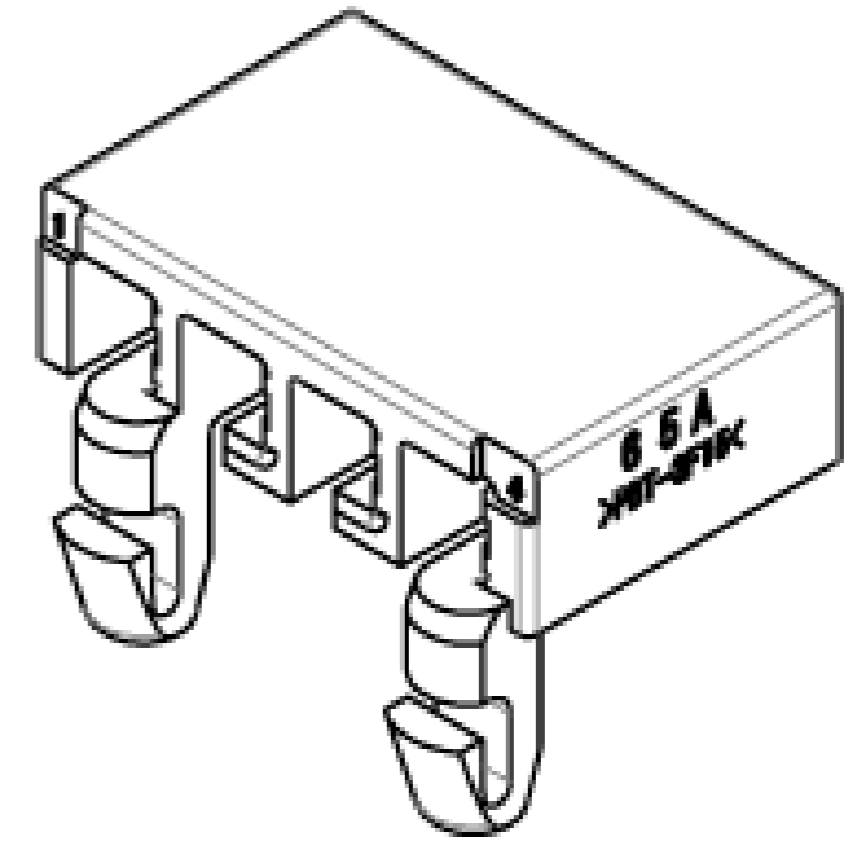
IARPB® CONNECTOR HOUSING:



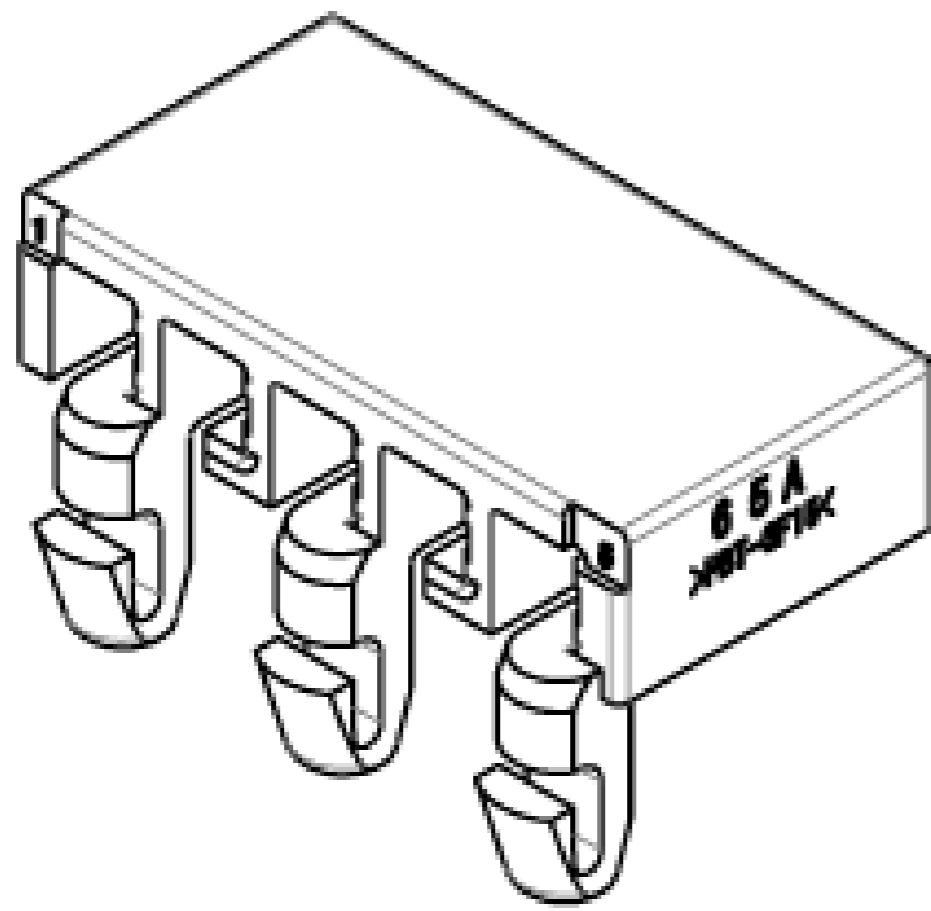
IARPB CONNECTOR 2P HOUSING
PARTS NO. V0125-91002-01



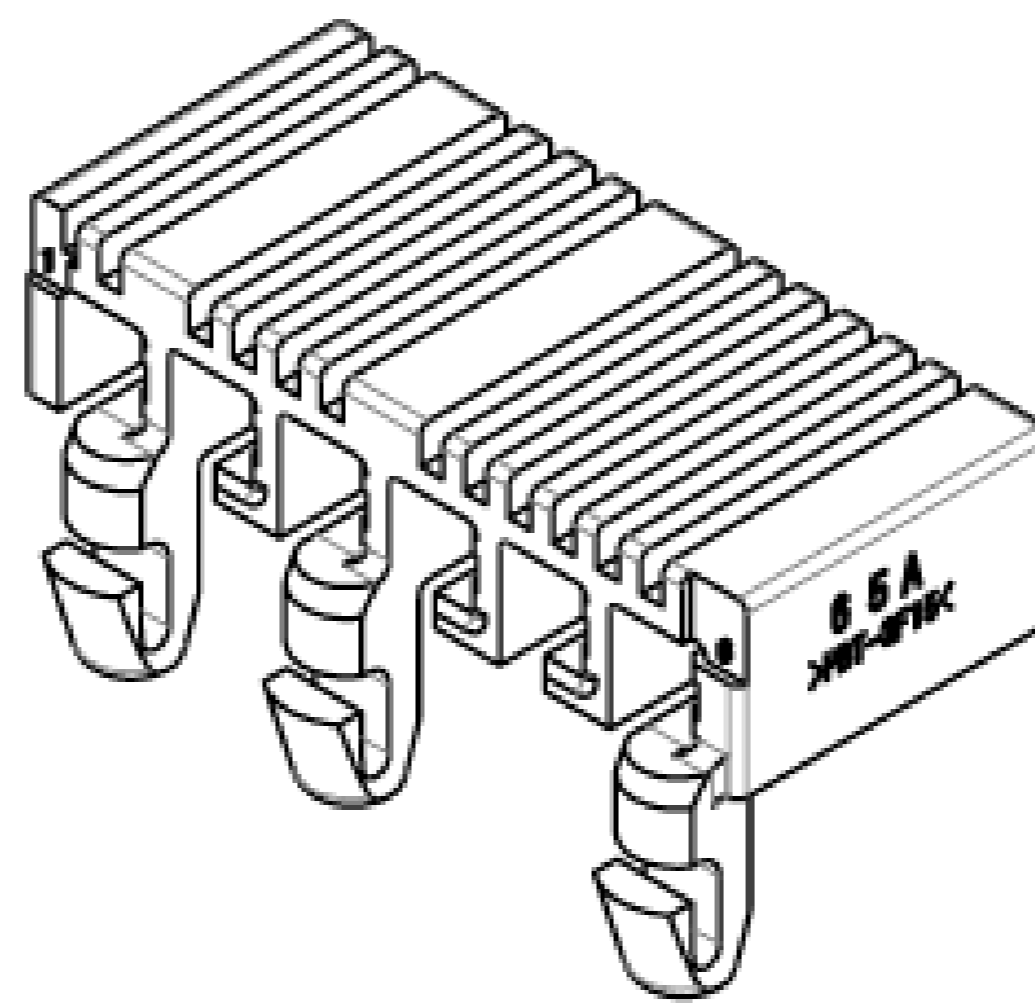
IARPB CONNECTOR 3P HOUSING
PARTS NO. V0125-91003-01



IARPB CONNECTOR 4P HOUSING
PARTS NO. V0125-91004-01



IARPB CONNECTOR 5P HOUSING
PARTS NO. V0125-91005-01

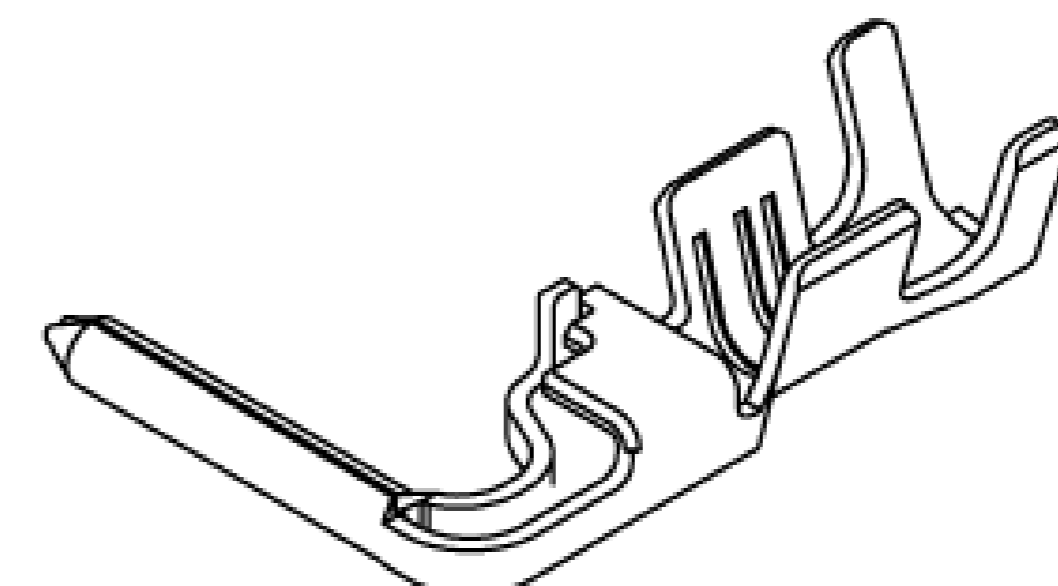
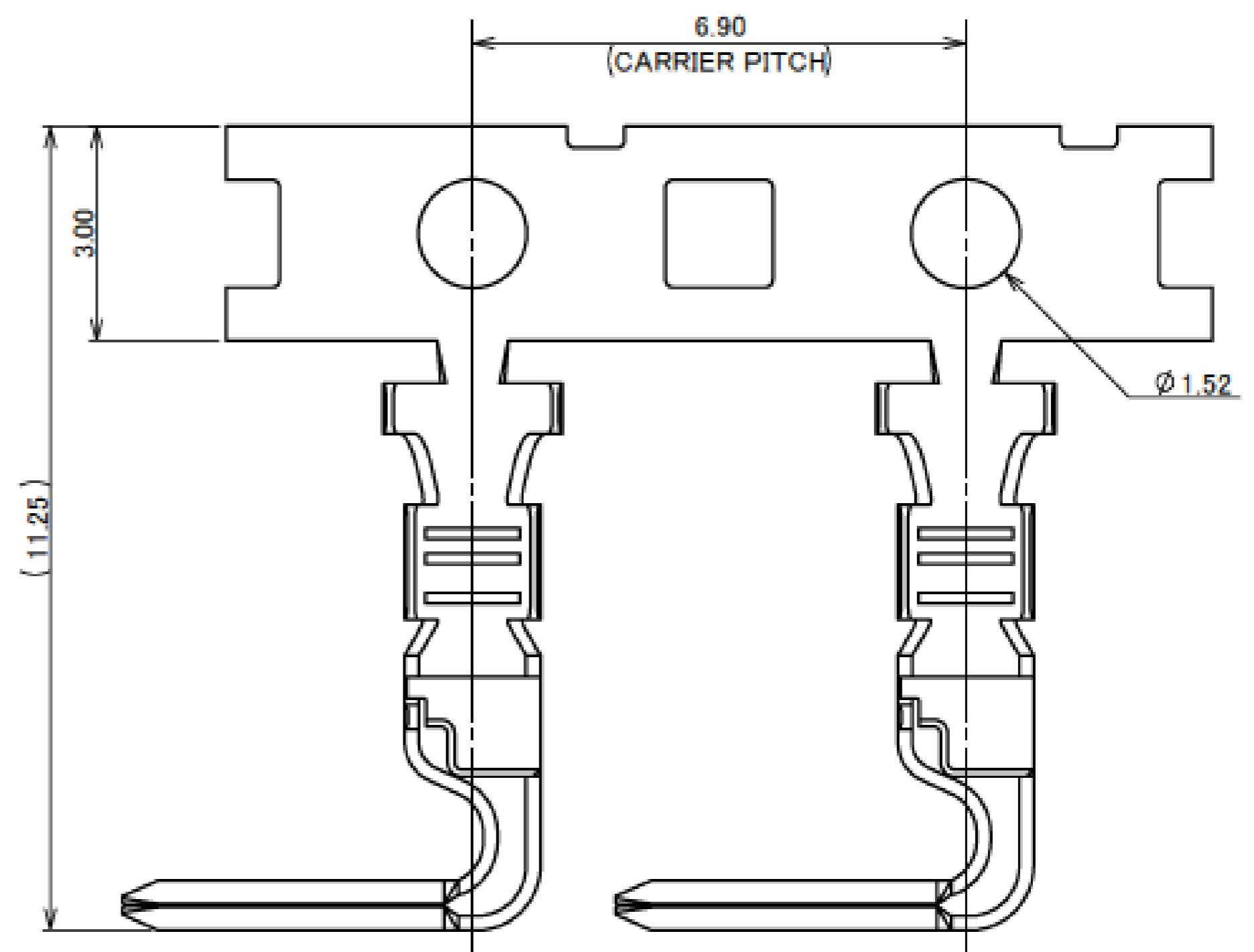
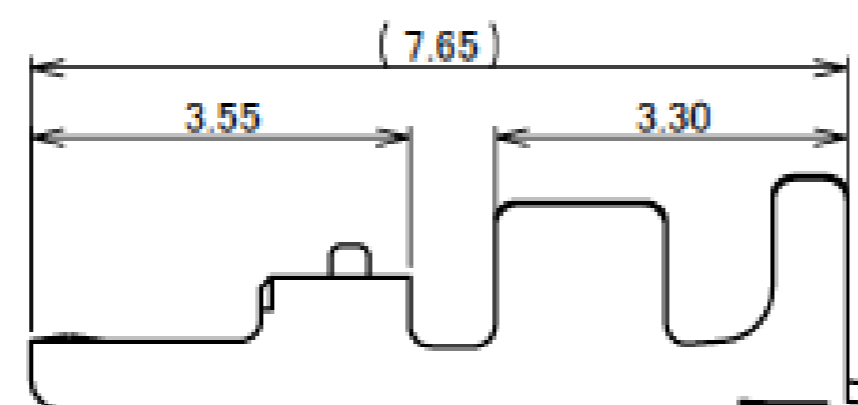
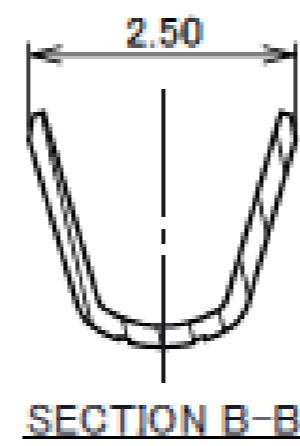
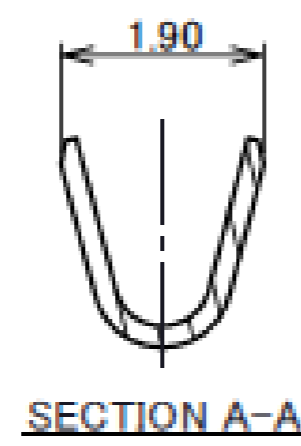
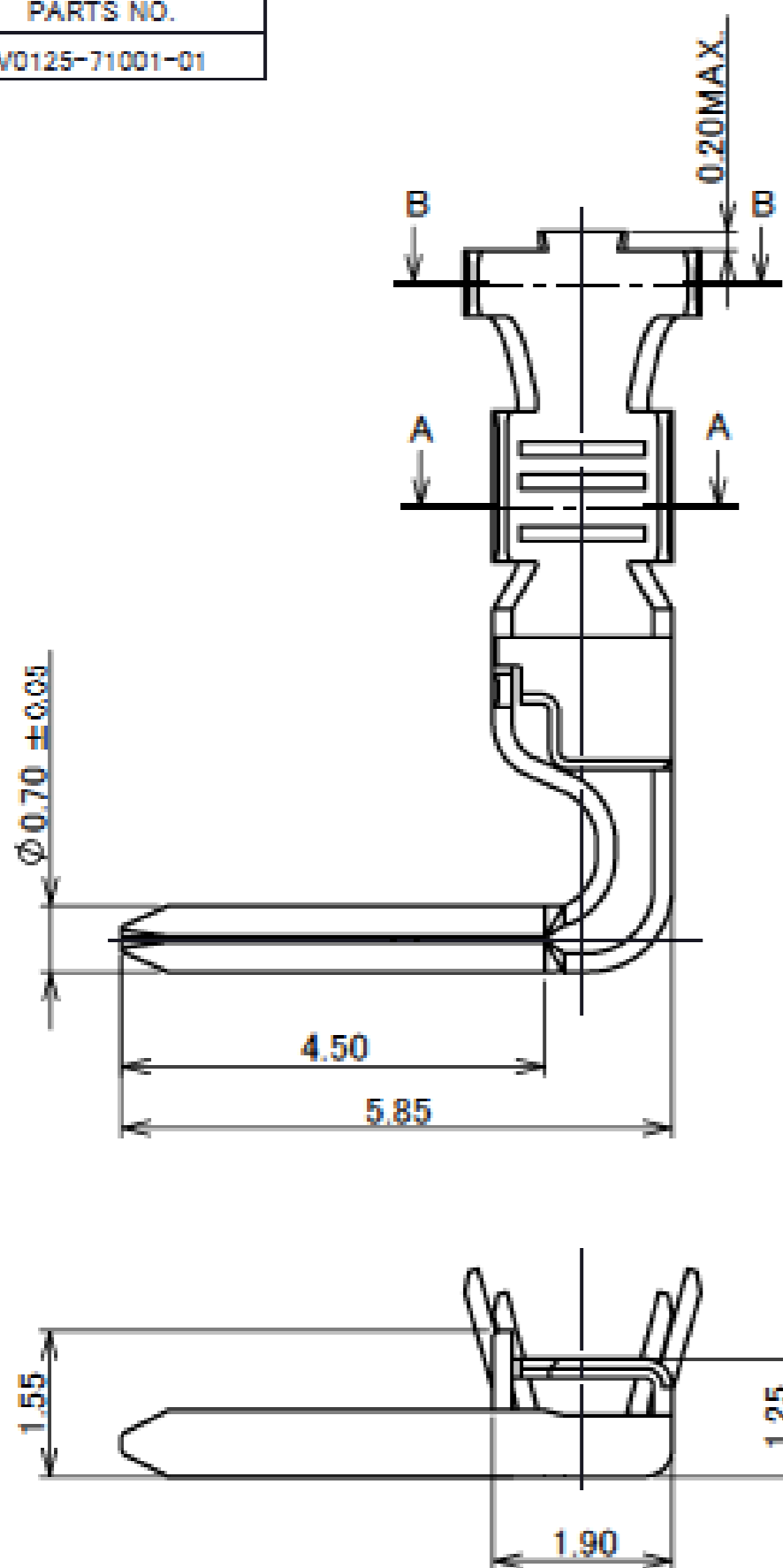


IARPB CONNECTOR 6P HOUSING
PARTS NO. V0125-91006-01

Rev.4

IARPB® CONNECTOR TERMINAL :

PARTS NO.
V0125-71001-01



ISOMETRIC VIEW
(10 : 1)

NO.	TERMINAL DESCRIPTION	MATERIAL	REFLOW Sn FINISH/COLOR/REMARKS
1	TERMINAL	BRASS	REFLOW Sn

NOTE

- HOUSING...P/N 2P: V0125-91002-01
3P: V0125-91003-01
4P: V0125-91004-01
5P: V0125-91005-01
6P: V0125-91006-01
- CABLE: 0.3mm² (FINISHED ϕ 1.67mm MAX.)
- COMPLY WITH ELV/RoHS
- PRODUCT SPECIFICATION NO.: PSS-0037
- HANDLING MANUAL NO.: HDM-0025

Rev.4

Custom Products Available

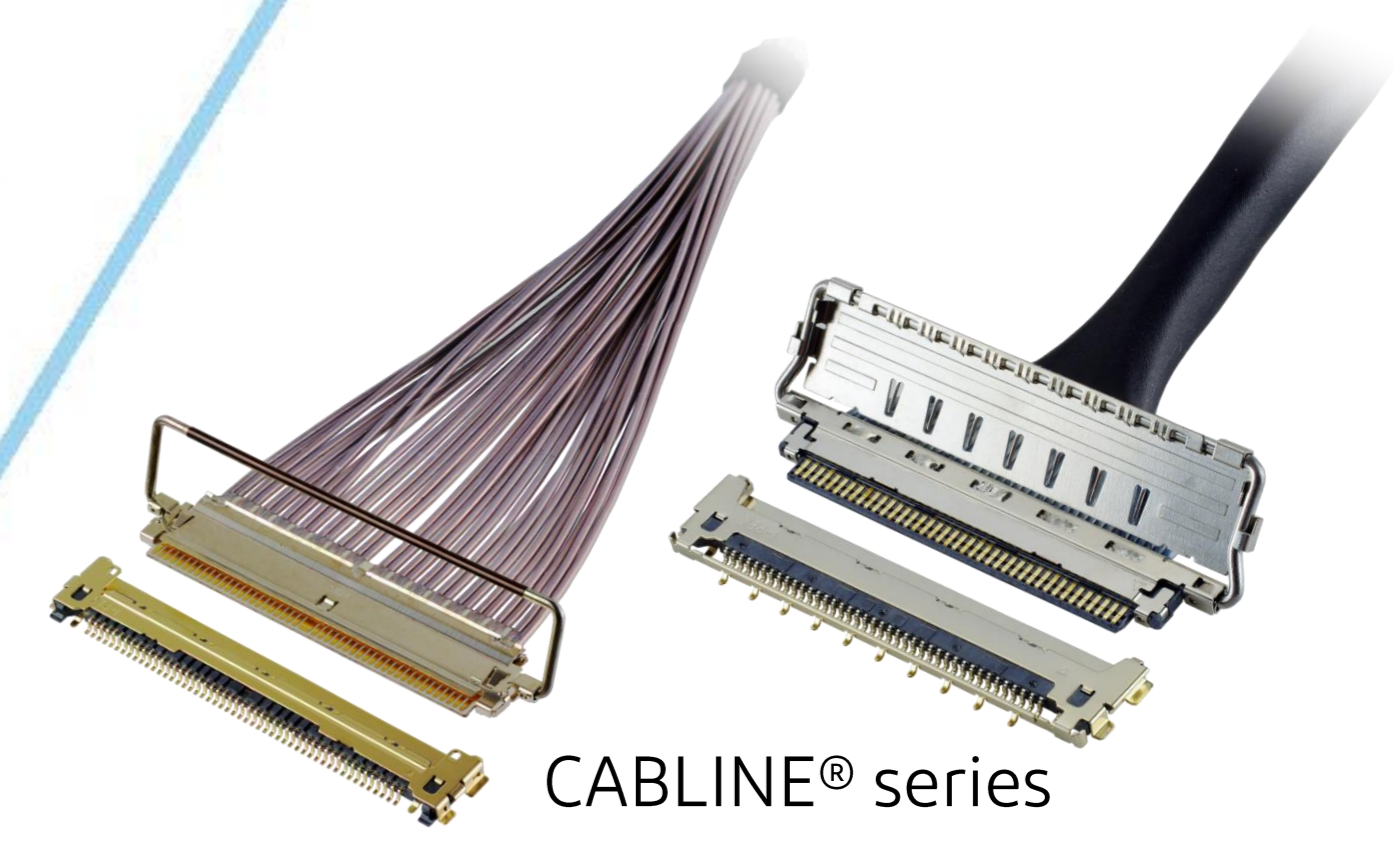
RF Connector

MHF® series



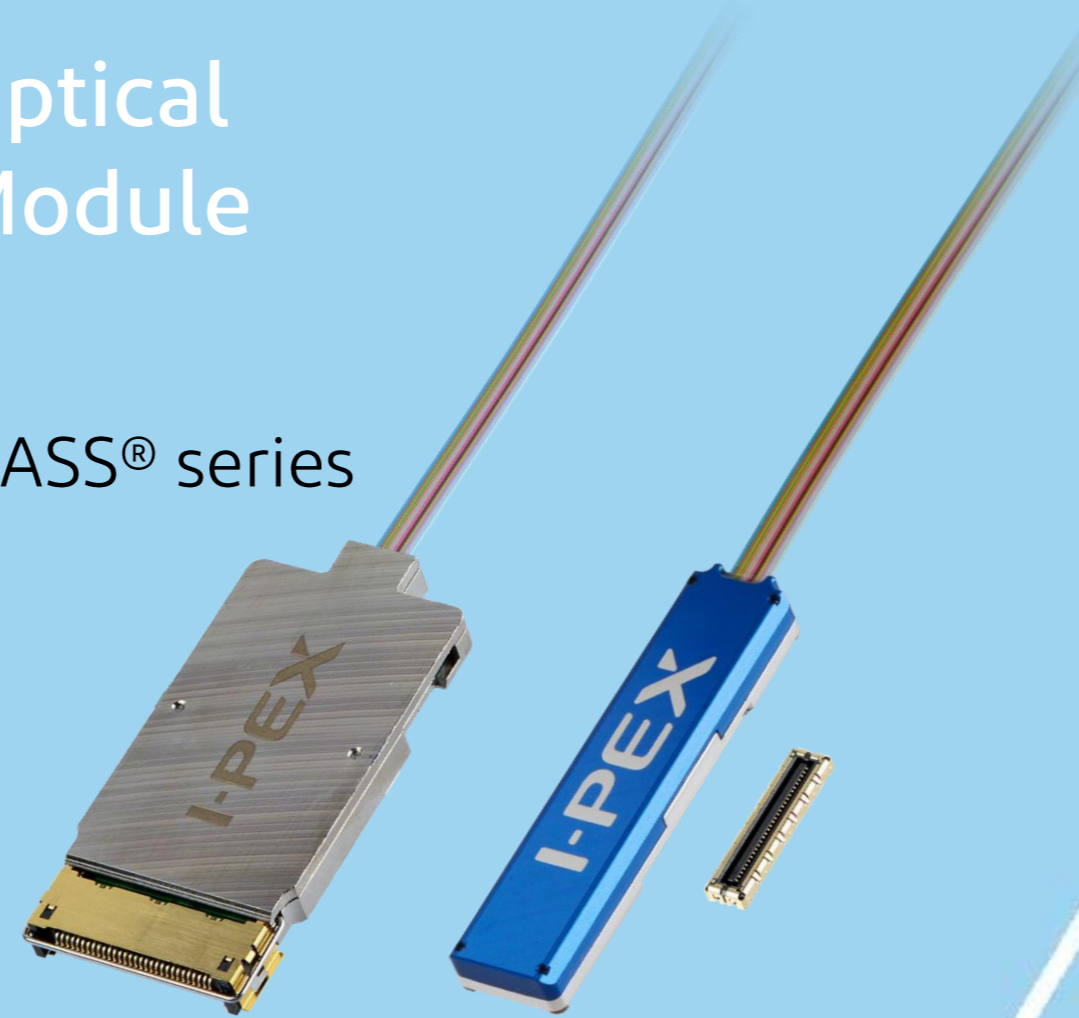
Micro-coaxial/Twinax/Discrete Wire Connector

CABLIN® series

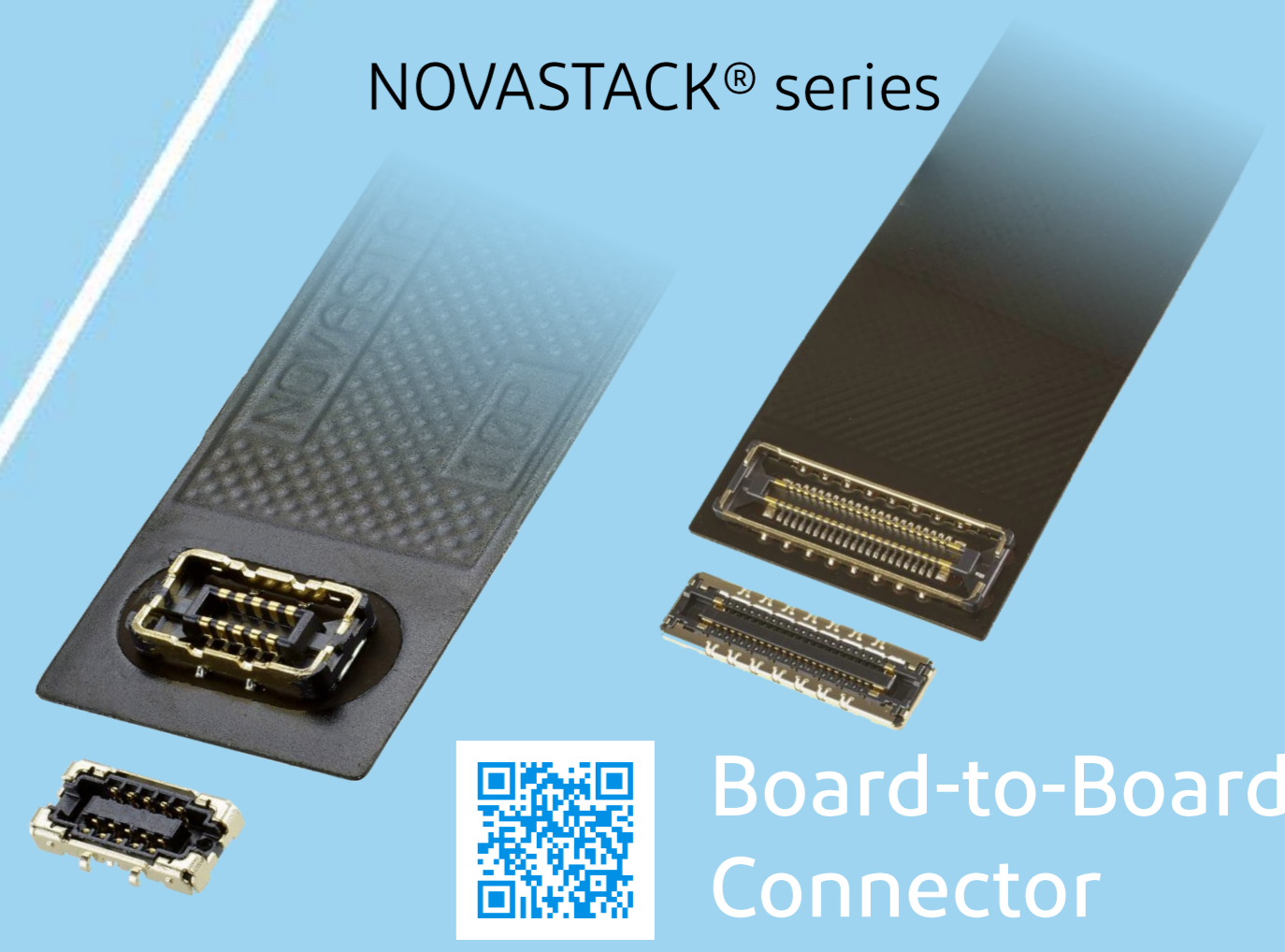


Optical Module

LIGHTPASS® series



NOVASTACK® series



Board-to-Board Connector



Power Connector/Terminal

AP series

ISH® series



MINIFLEX® series

EVAFLEX® series



FPC FFC Connector



Inquiry



MINIDOCK® series



I/O Connector

I-PEX, MHF, CABLINE, LIGHTPASS, NOVASTACK, ISH, IARPB, MINIFLEX, EVAFLEX, MINIDOCKS and ZenShield are registered trademarks of I-PEX Inc. Please note that the contents in the catalog might be changed without prior notification. I-PEX Inc. assumes no responsibility for any inaccuracies or obligation to update information on these documents. Please be sure to read and understand the latest "Precautions for Use" and "Instruction Manual" before you use our products. We shall not be responsible for any defects, damages or troubles in case you use our products without following the precautions for use. Please feel free to contact our sales representatives when you use our products for any applications that require very high reliability and safety, or that relate to human life (ex. nuclear power control, aerospace, transportation, medical equipment, safety equipment etc.).

Contact your sales representative or more detailed information.

www.i-pex.com



I-PEX

© I-PEX Inc. 2024
All rights reserved