

FPL II

Max power delivery (AWG #32), eDP HBR2 (5.4 Gbps/lane),
Durable to noise, 0.5 mm pitch, Vertical mating type micro-coaxial connector



Product Specifications:

Mating type	Right angle vertical	
Board Pitch (mm)	0.5	
Wiping Length (mm)	0.51	
Mated size (mm)	Height	2.2 +/- 0.2
	Width	Formula: 5.8 + (0.5*p)
	Depth	6.1
Pin Counts	Range	Up to 50
	Available	30, 40, 50

Applicable Cable Size:

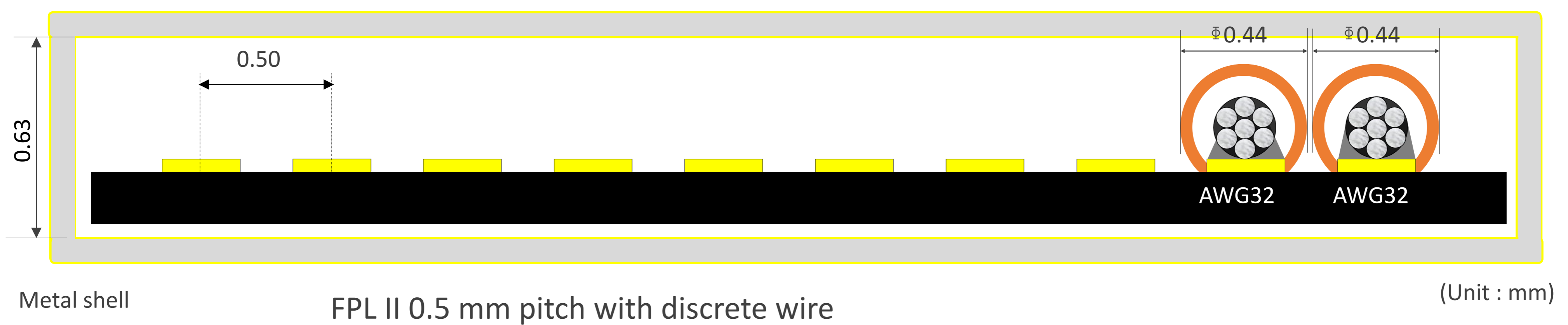
Maximum O.D. (mm)	0.5
Micro-Coaxial for Signal (AWG)	45 ohm: #36 or smaller 50 ohm: #38 or smaller
Twinax (AWG)	#40
Discrete (AWG)	#32 or smaller

Applicable Standards (Reference Only):

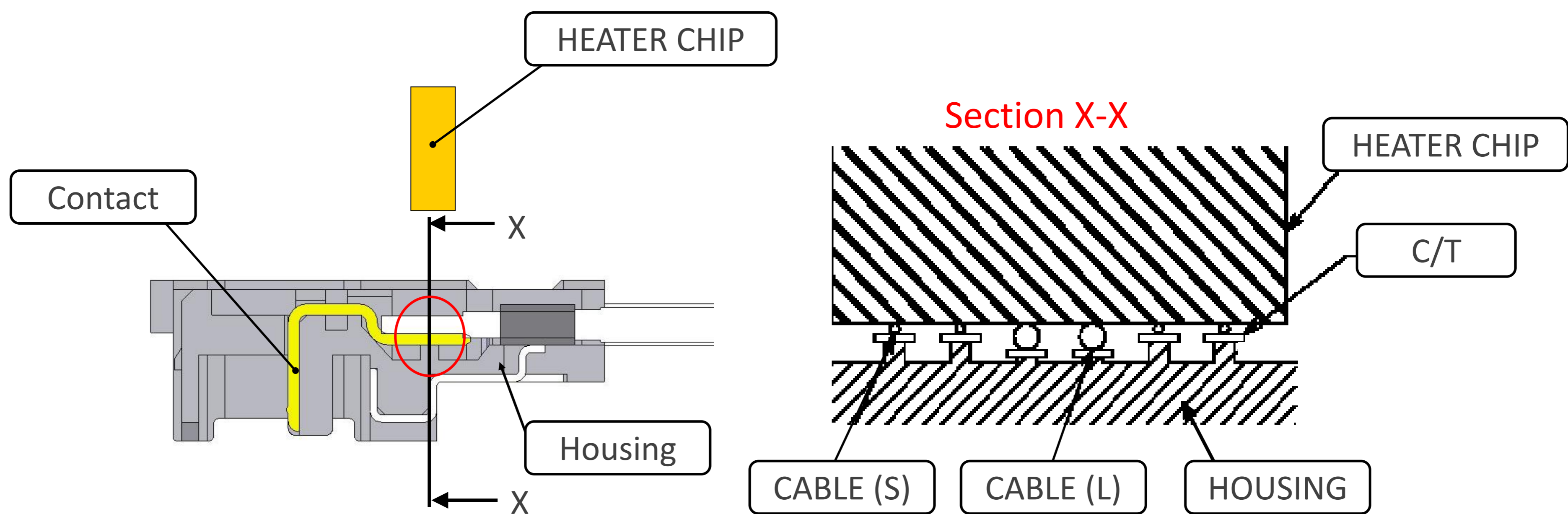
eDP HBR 2 (5.4 Gbps), USB 3.1 Gen 1 (5 Gbps)

* Please inquire for pin counts not listed or outside of the pin count range.

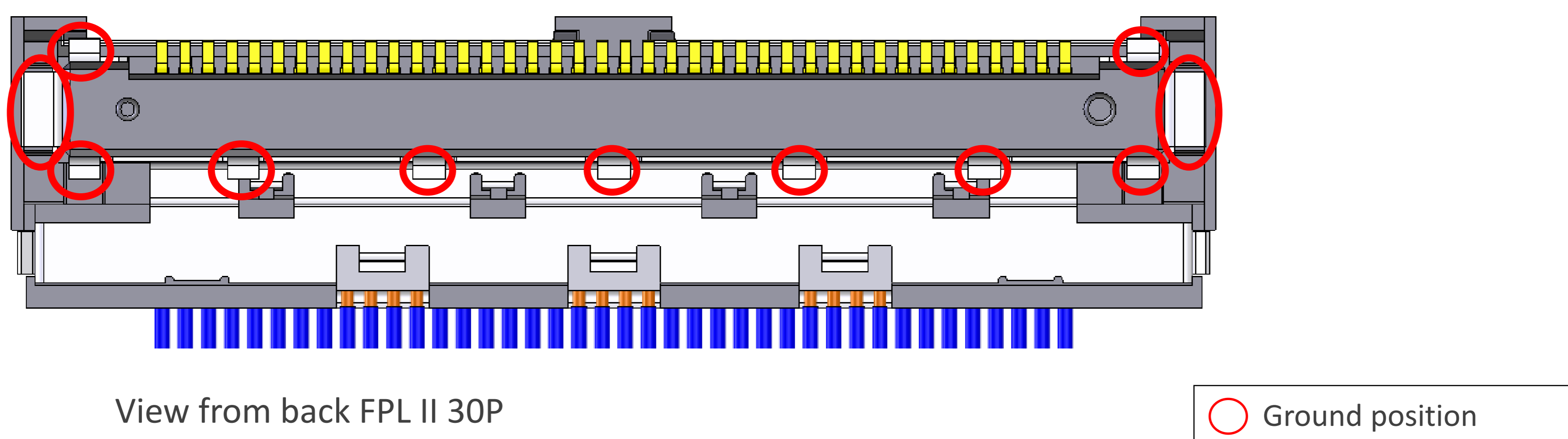
▶ Maximum power delivery (AWG #32)



▶ Simultaneous soldering of different size cables for micro-coaxial and discrete wire

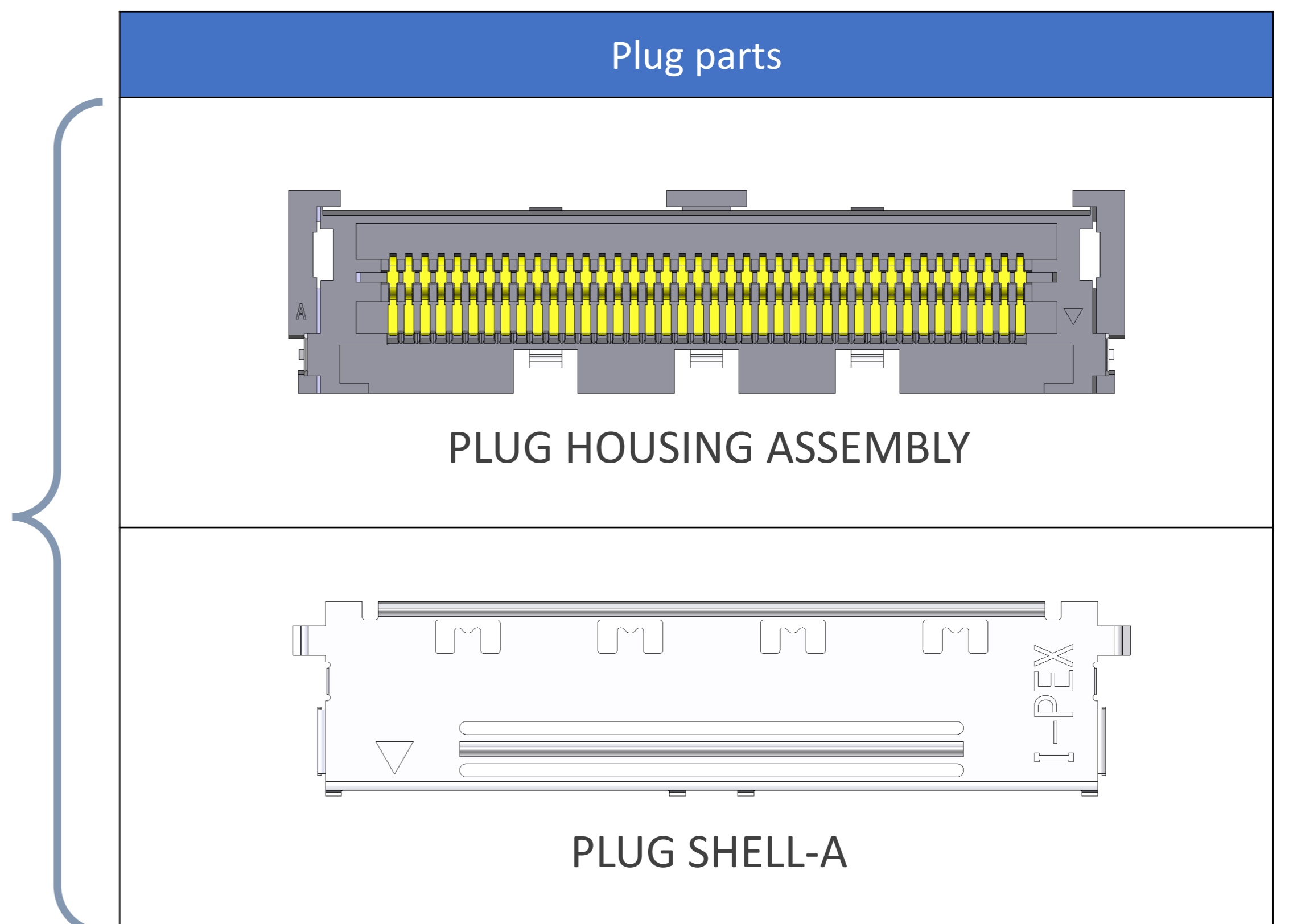
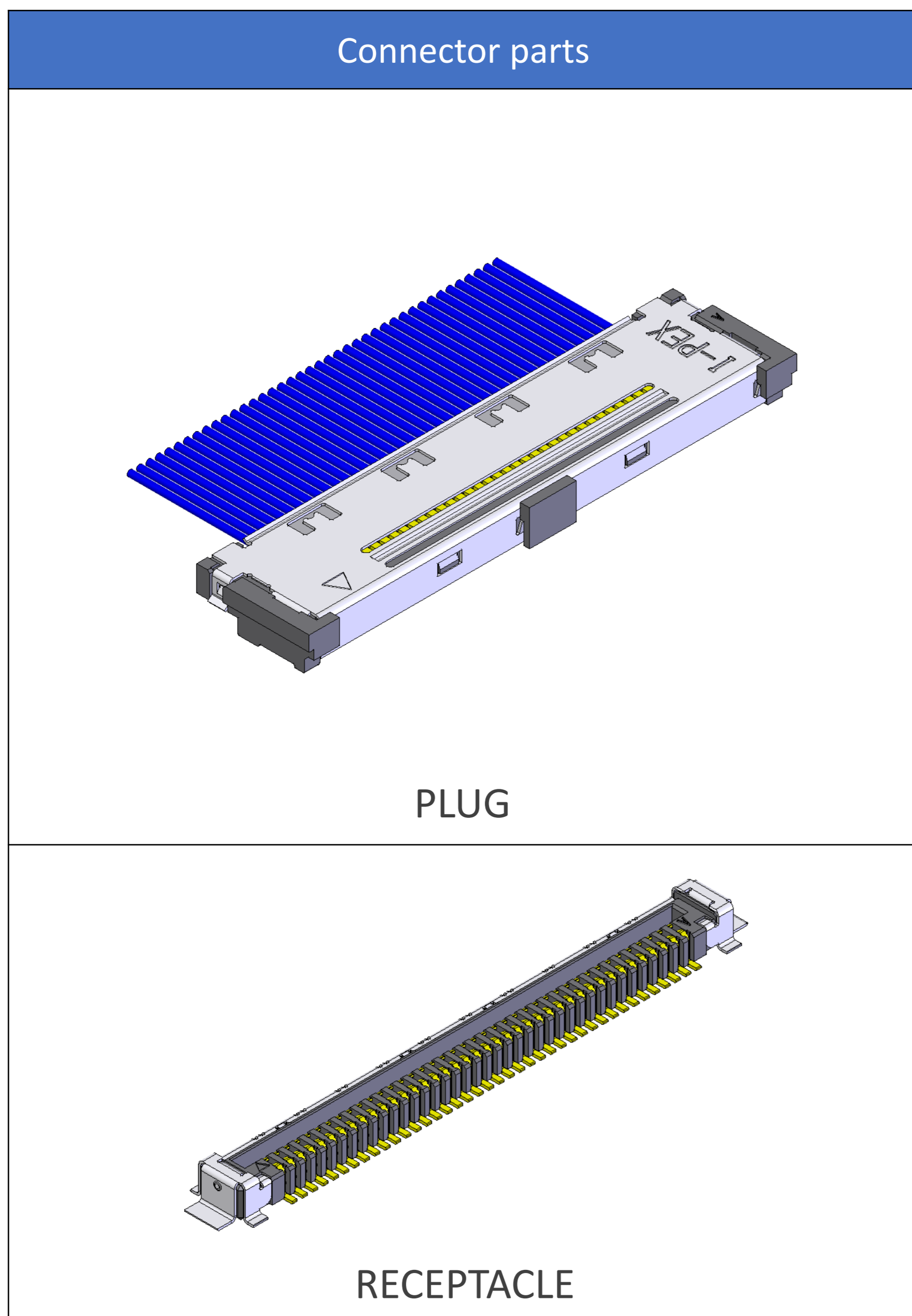


▶ Several ground points durable to noise



Component Parts Details

Component Parts

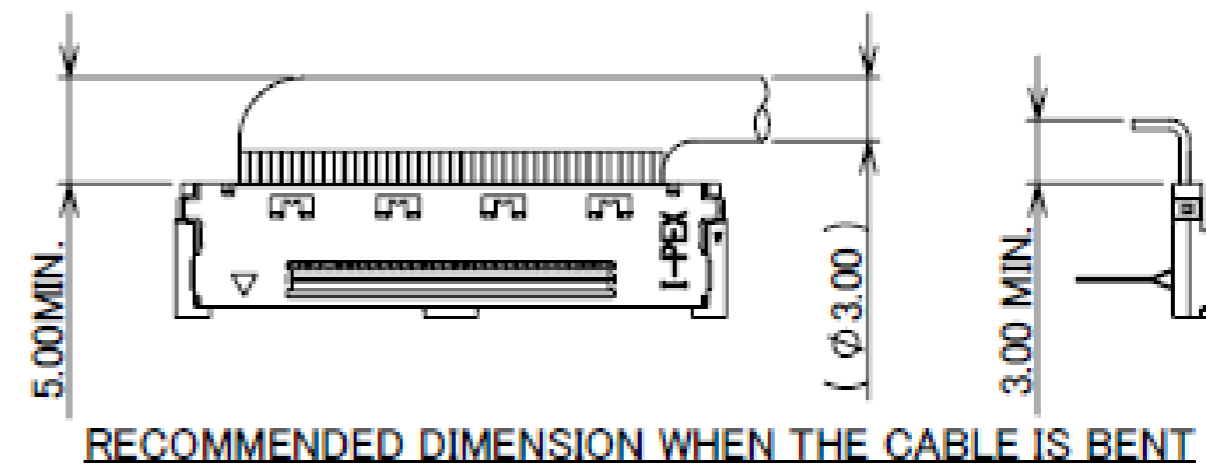
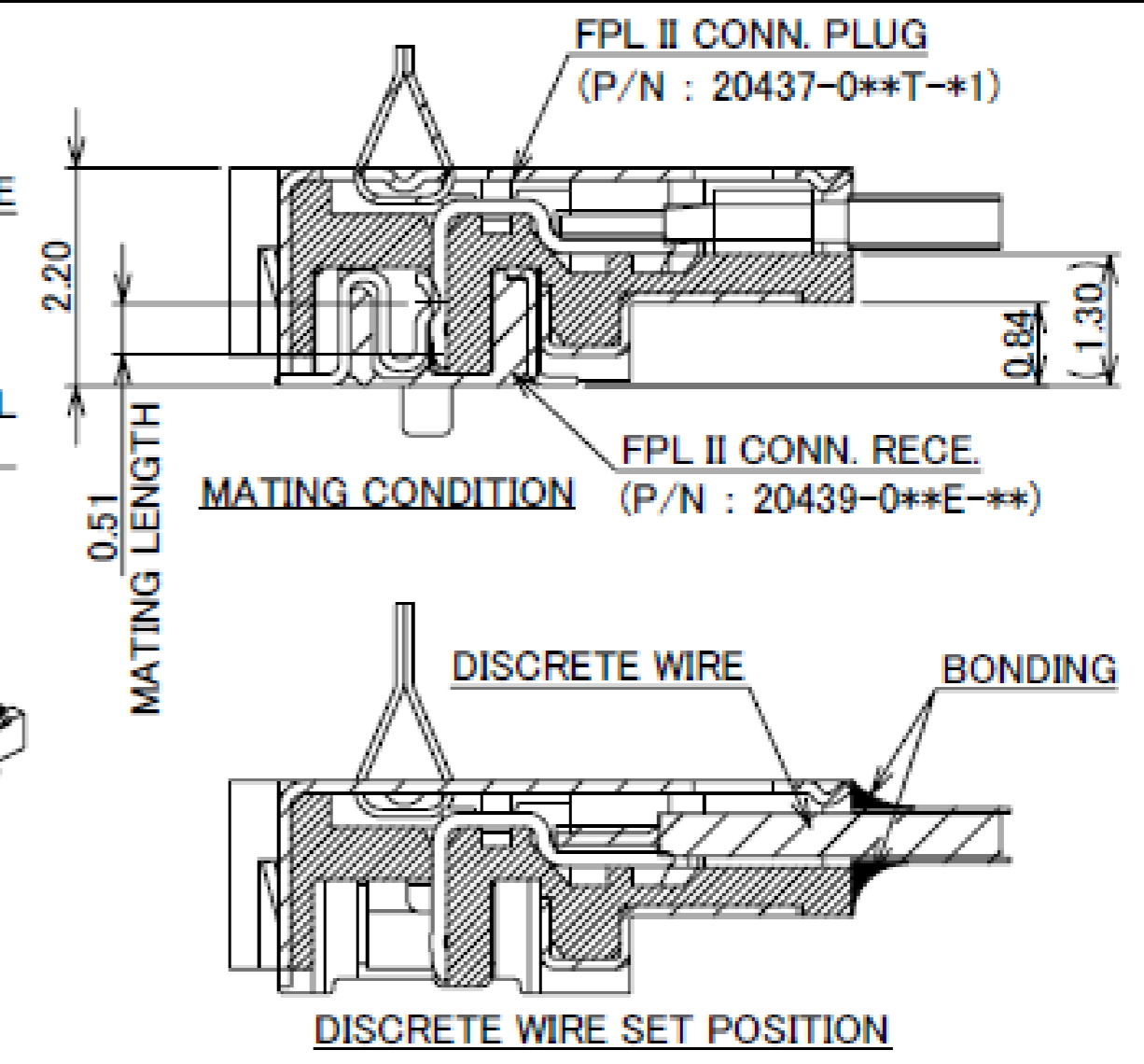
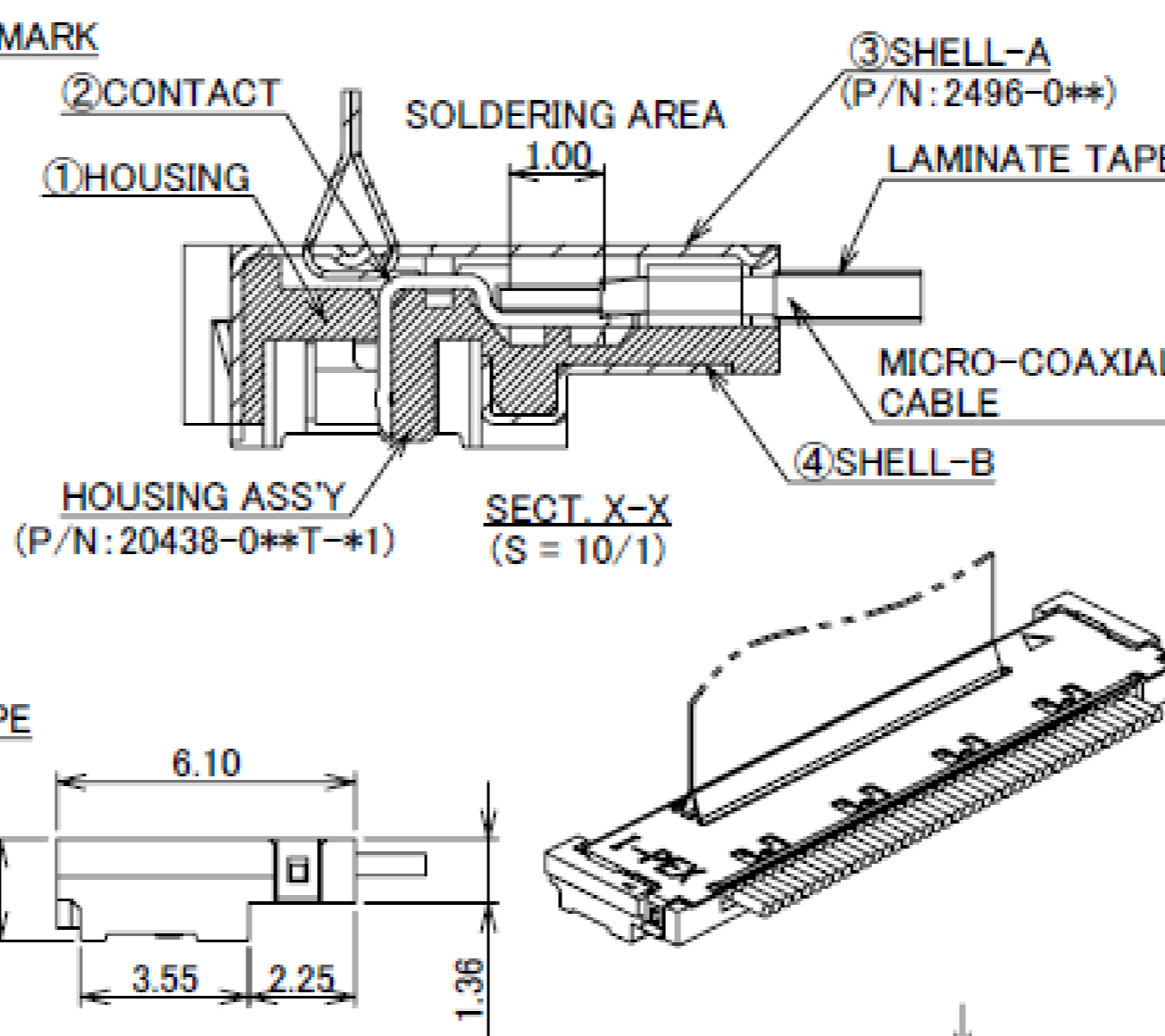
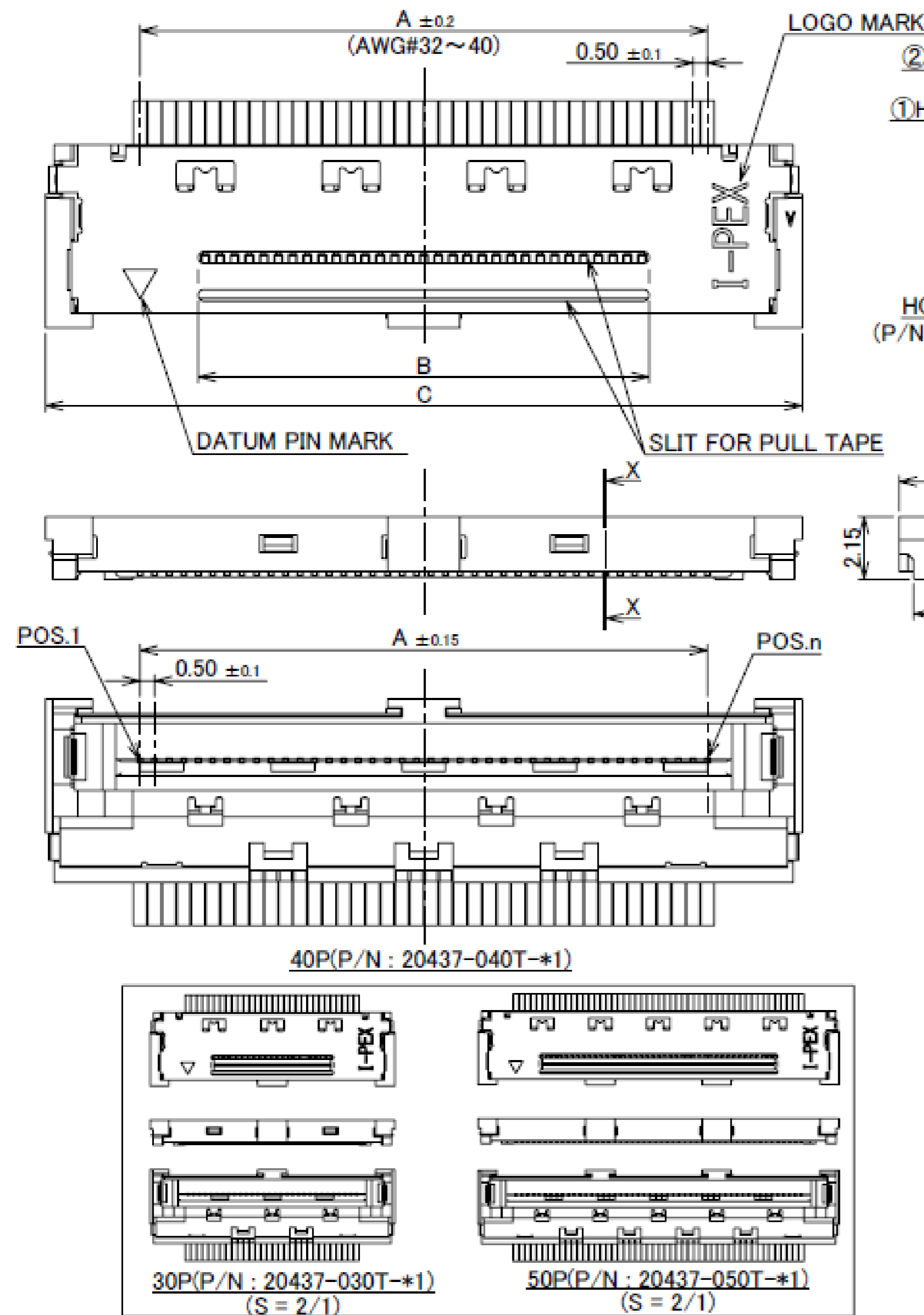


Plug for Cable Assembly

Recommended P/N		20437-0**T-01		
PART No.	POS.	A	B	C
20437-030T-*1	30	14.50	10.50	20.80
20437-040T-*1	40	19.50	15.50	25.80
20437-050T-*1	50	24.50	20.50	30.80

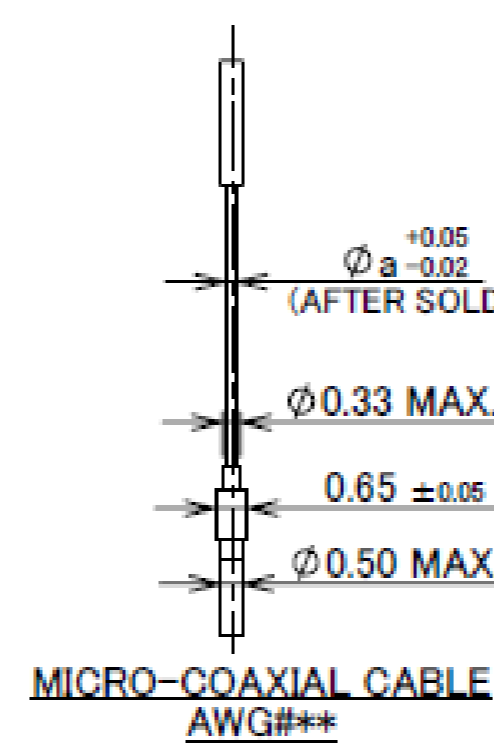
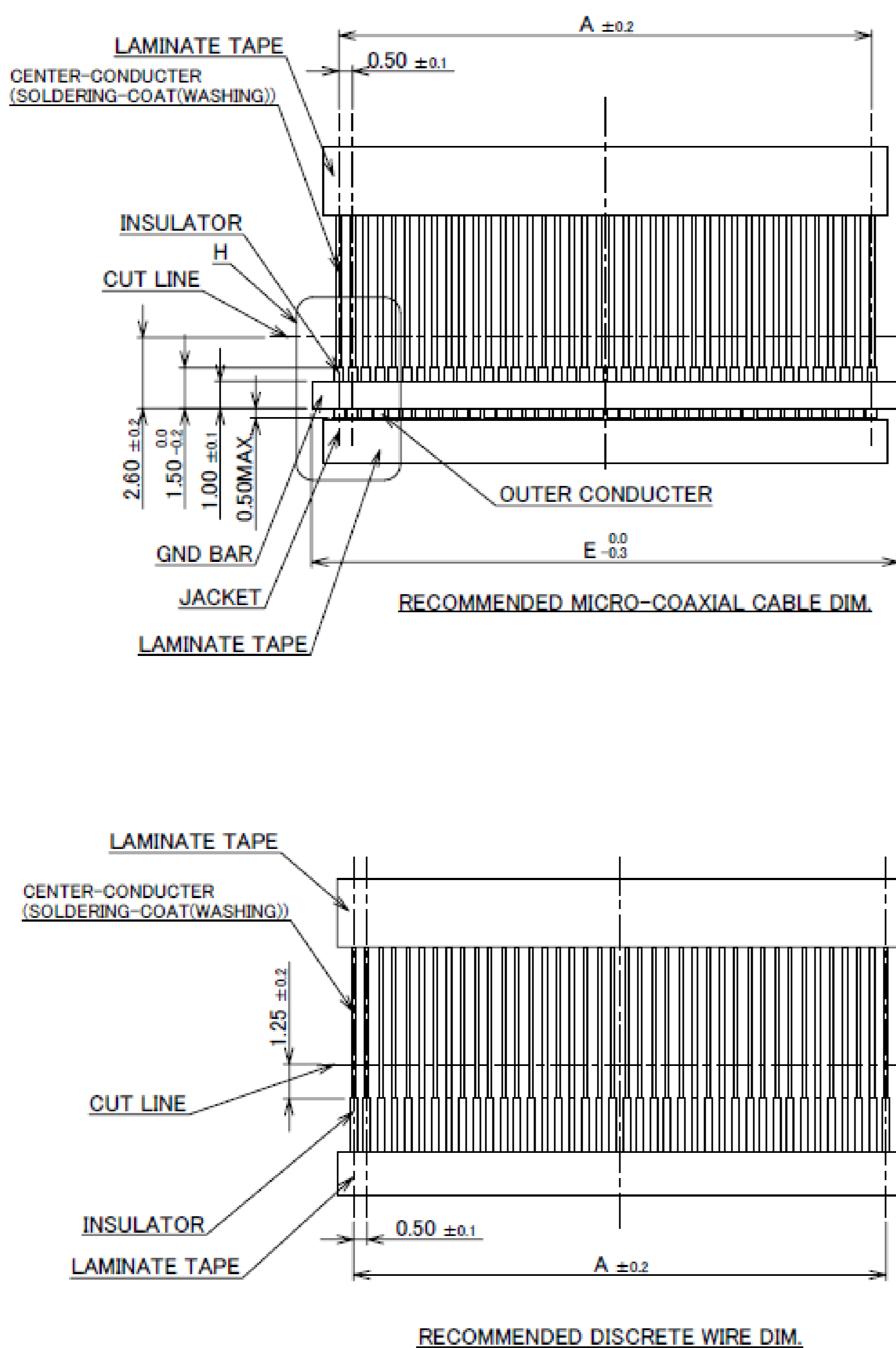


CABLE ASS'Y PART No.	HOUSING ASS'Y PART No.	SHELL-A PART No.	CONTACT FINISH (MATING AREA)
20437-0**T-01	20438-0**T-01	2496-0**	Au 0.10 μm MIN.
20437-0**T-11	20438-0**T-11		Au 0.30 μm MIN.



NO.	DISCRIPTION	MATERIAL	FINISH . REMARKS
4	SHELL-B	PHOSPHOR BRONZE	Sn 2.00 μm MIN. OVER Ni 1.00 μm MIN.
3	SHELL-A	PHOSPHOR BRONZE	Sn 2.00 μm MIN. OVER Ni 1.00 μm MIN.
2	CONTACT	PHOSPHOR BRONZE	PART NO. 20437-0**T-01 MATING AREA : Au 0.10 μm MIN. OVER Ni 1.00 μm MIN. OTHER AREA : Au 0.05 μm MIN. OVER Ni 1.00 μm MIN. PART NO. 20437-0**T-11 MATING AREA : Au 0.30 μm MIN. OVER Ni 1.00 μm MIN. OTHER AREA : Au 0.05 μm MIN. OVER Ni 1.00 μm MIN.
1	HOUSING	LCP	UL94V-0, BLACK

Rev.17



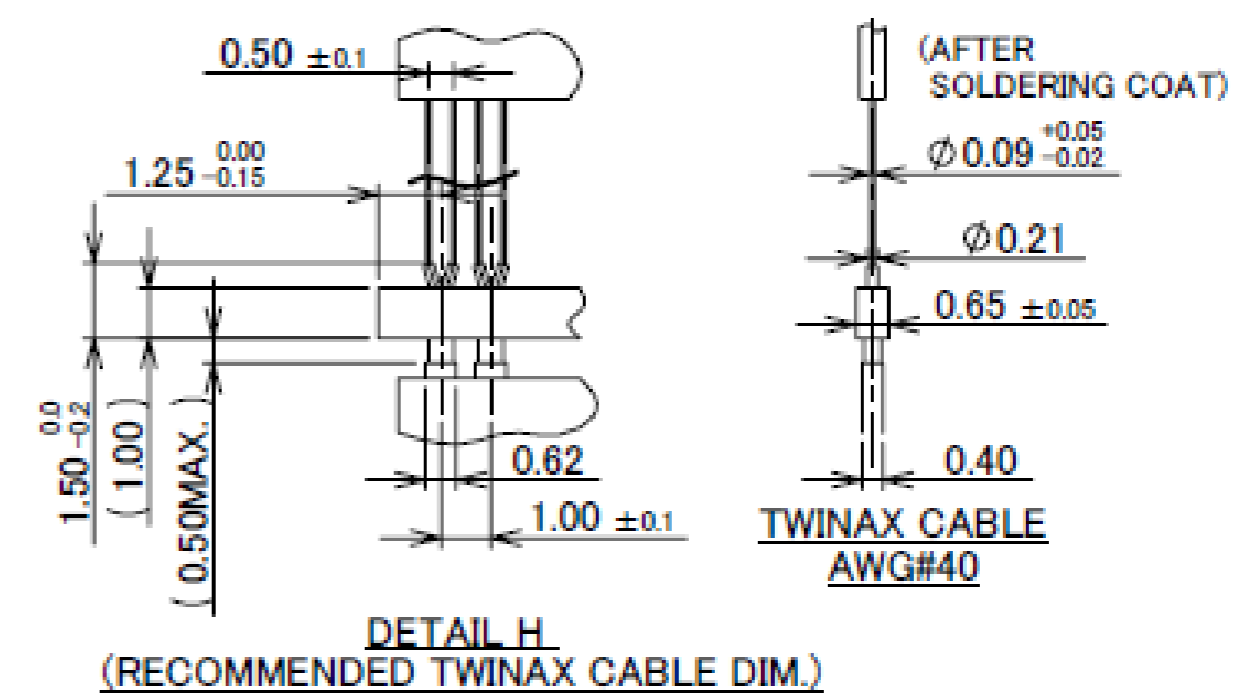
CHARACTERISTIC IMPEDANCE MATCHING MICRO-COAXIAL CABLE

AWG	a
#36	0.15
#38	0.12
#40	0.09

CHARACTERISTIC IMPEDANCE UN-MATCHING MICRO-COAXIAL CABLE

AWG	a
#32	0.24
#34	0.192

MICRO-COAXIAL CABLE #32, 34 : NOT RECOMMENDED FOR HIGH SPEED SIGNAL TRANSFER



DISCRETE WIRE DIMENSION

AWG	b
#32	0.24
#34	0.192
#36	0.15

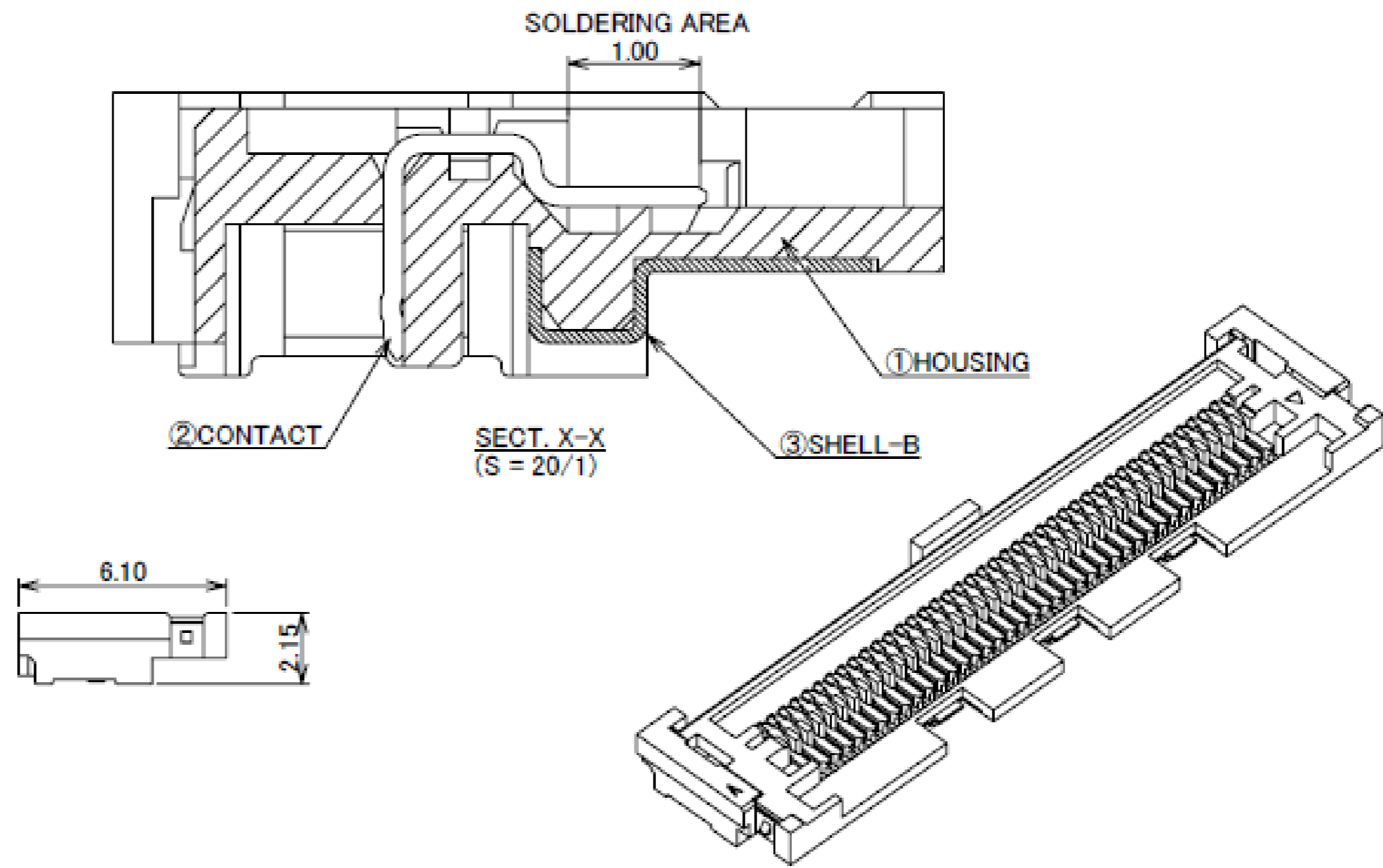
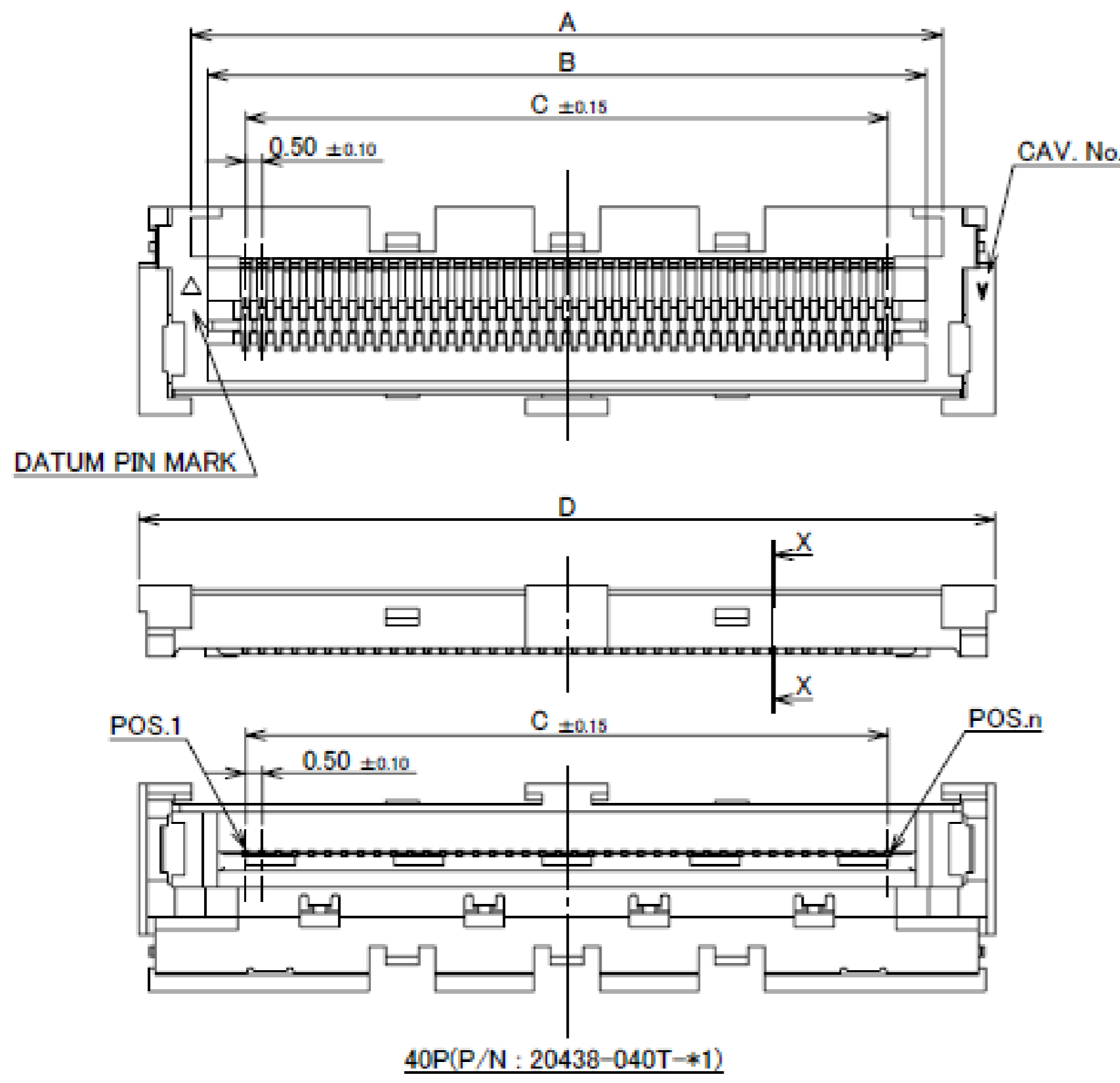
DISCRETE WIRE AWG#**

Rev.17

Plug Housing Assembly

Recommended P/N		20438-0**T-01			
PART No.	POS.	A	B	C	D
20438-030T-*1	30	17.80	16.80	14.50	20.80
20438-040T-*1	40	22.80	21.80	19.50	25.80
20438-050T-*1	50	27.80	26.80	24.50	30.80

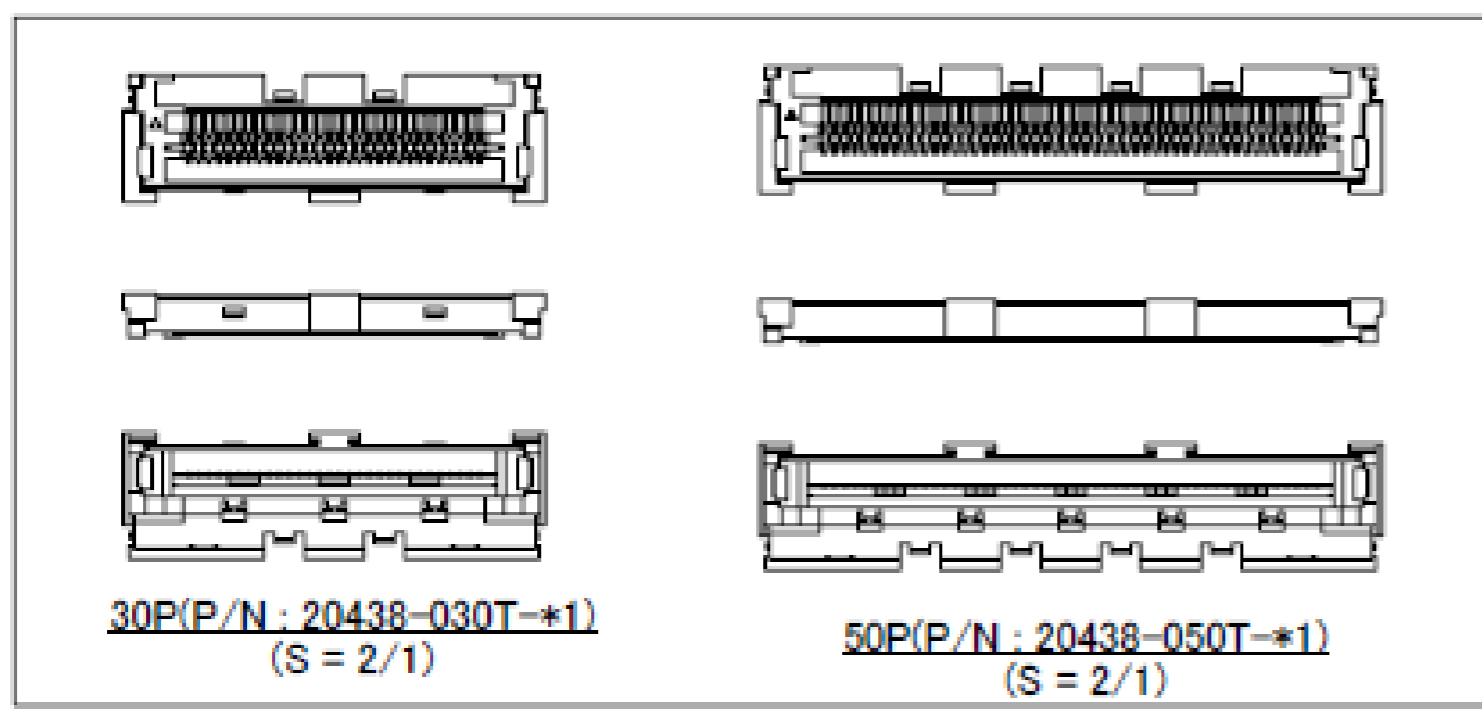
PART NO.	CONTACT FINISH (MATING AREA).
20438-0**T-01	Au 0.10 μm MIN.
20438-0**T-11	Au 0.30 μm MIN.



NOTES

1. THIS PART IS ASSEMBLY WITH SHELL-A (PART NO. 2496-0**) AFTER SOLDERED THE CABLE. AND IT BECOMES PART NO. 20437-0**T-*1

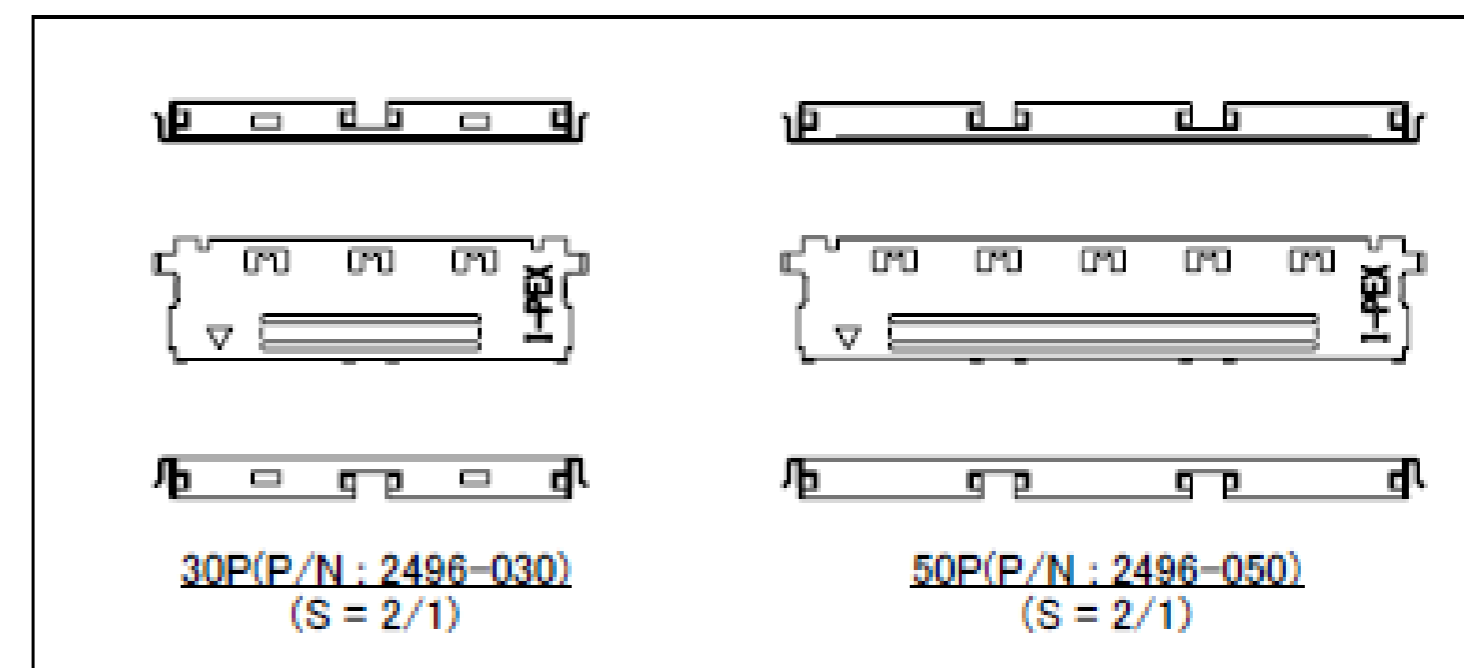
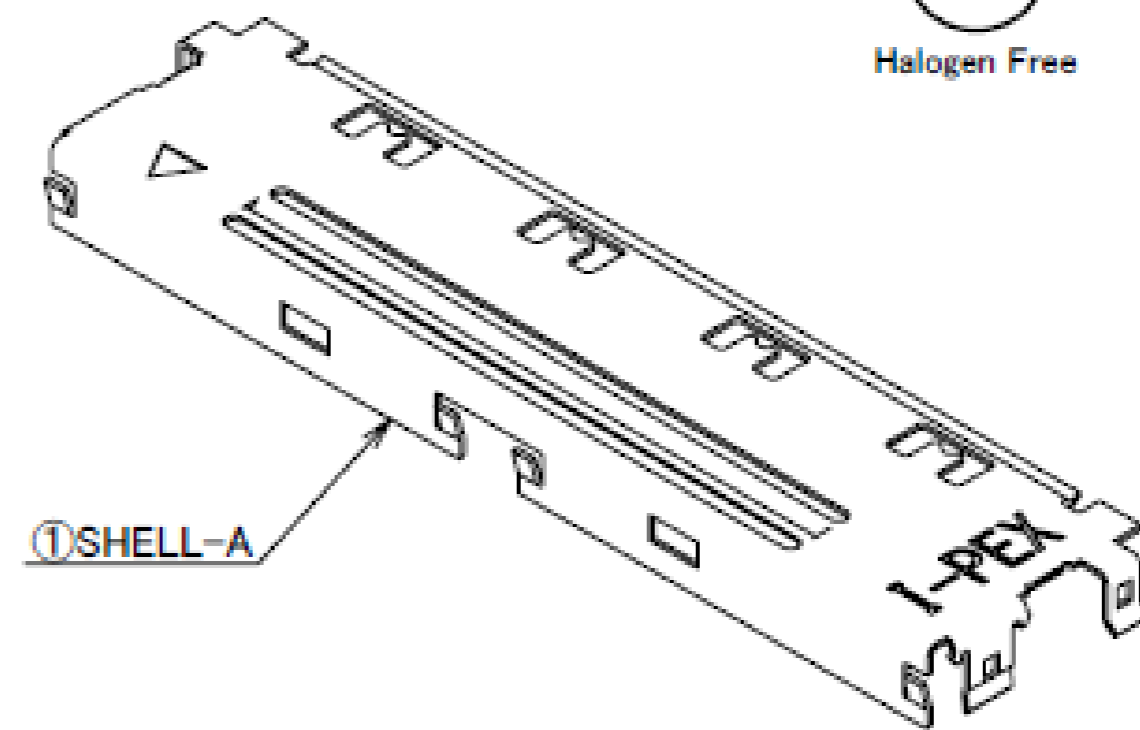
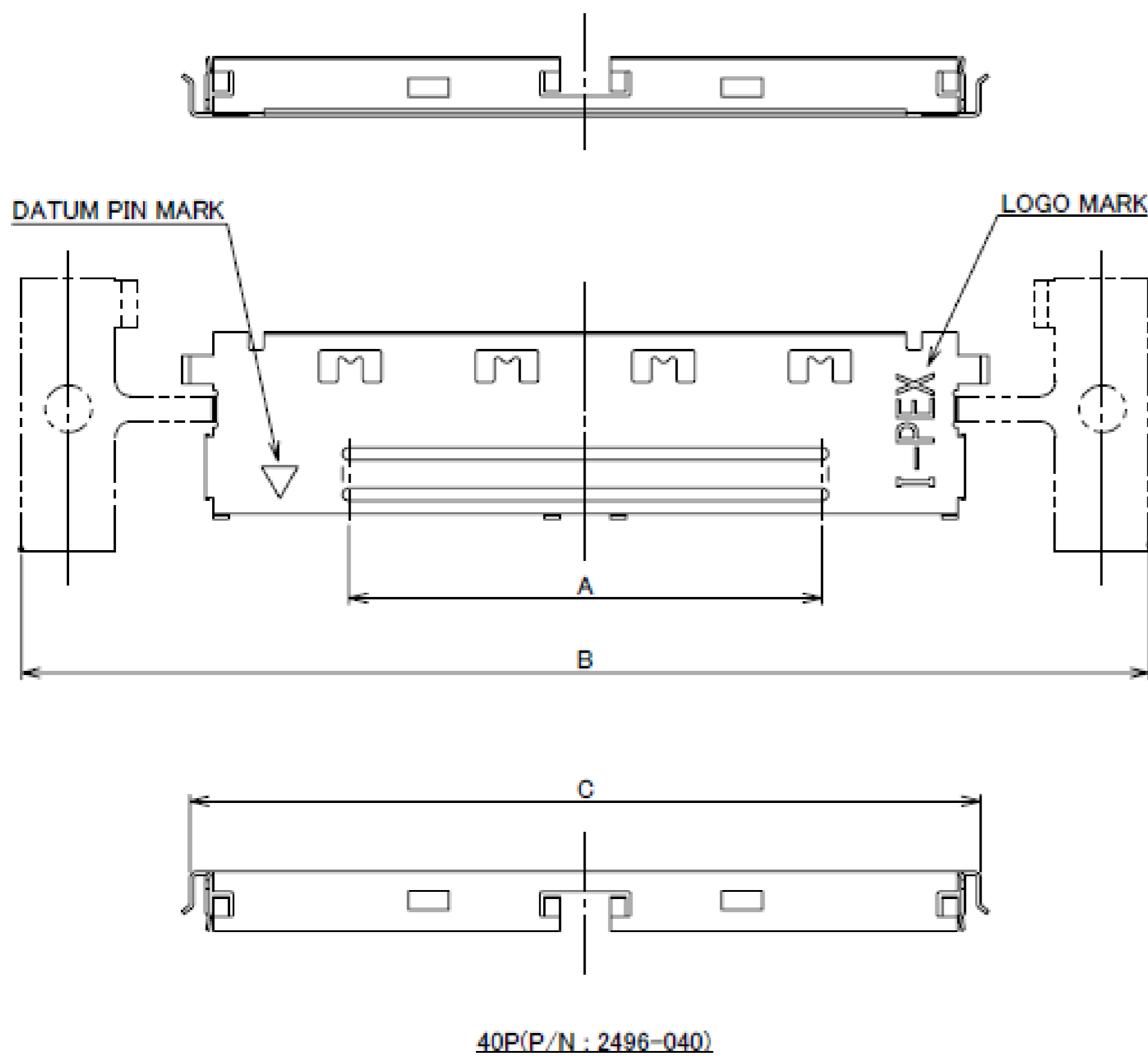
NO.	DISCRIPTION	MATERIAL	FINISH , REMARKS
3	SHELL-B	PHOSPHOR BRONZE	Sn 2.00 μm MIN. OVER Ni 1.00 μm MIN.
2	CONTACT	PHOSPHOR BRONZE	PART NO. 20438-0**T-01 MATING AREA : Au 0.10 μm MIN. OVER Ni 1.00 μm MIN. OTHER AREA : Au 0.05 μm MIN. OVER Ni 1.00 μm MIN.
1	HOUSING	LCP	PART NO. 20438-0**T-11 MATING AREA : Au 0.30 μm MIN. OVER Ni 1.00 μm MIN. OTHER AREA : Au 0.05 μm MIN. OVER Ni 1.00 μm MIN. UL94V-0, BLACK



Rev.12

Plug Shell-A

Recommended P/N		2496-0**			
PART NO.	Pos.	A	B	C	D
2496-030	30	10.00	30.00	20.24	35.00
2496-040	40	15.00	36.00	25.24	40.00
2496-050	50	20.00	40.00	30.24	45.00



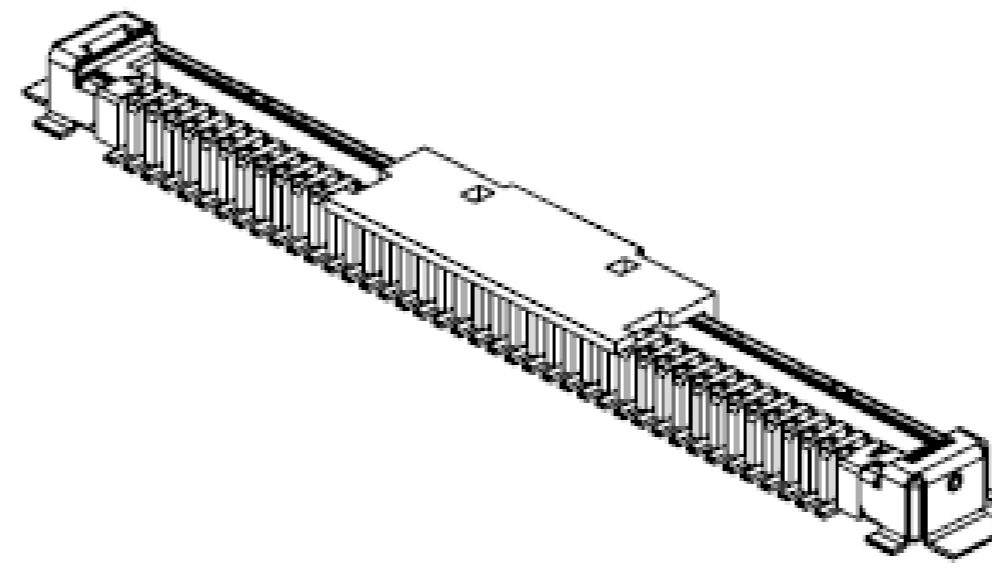
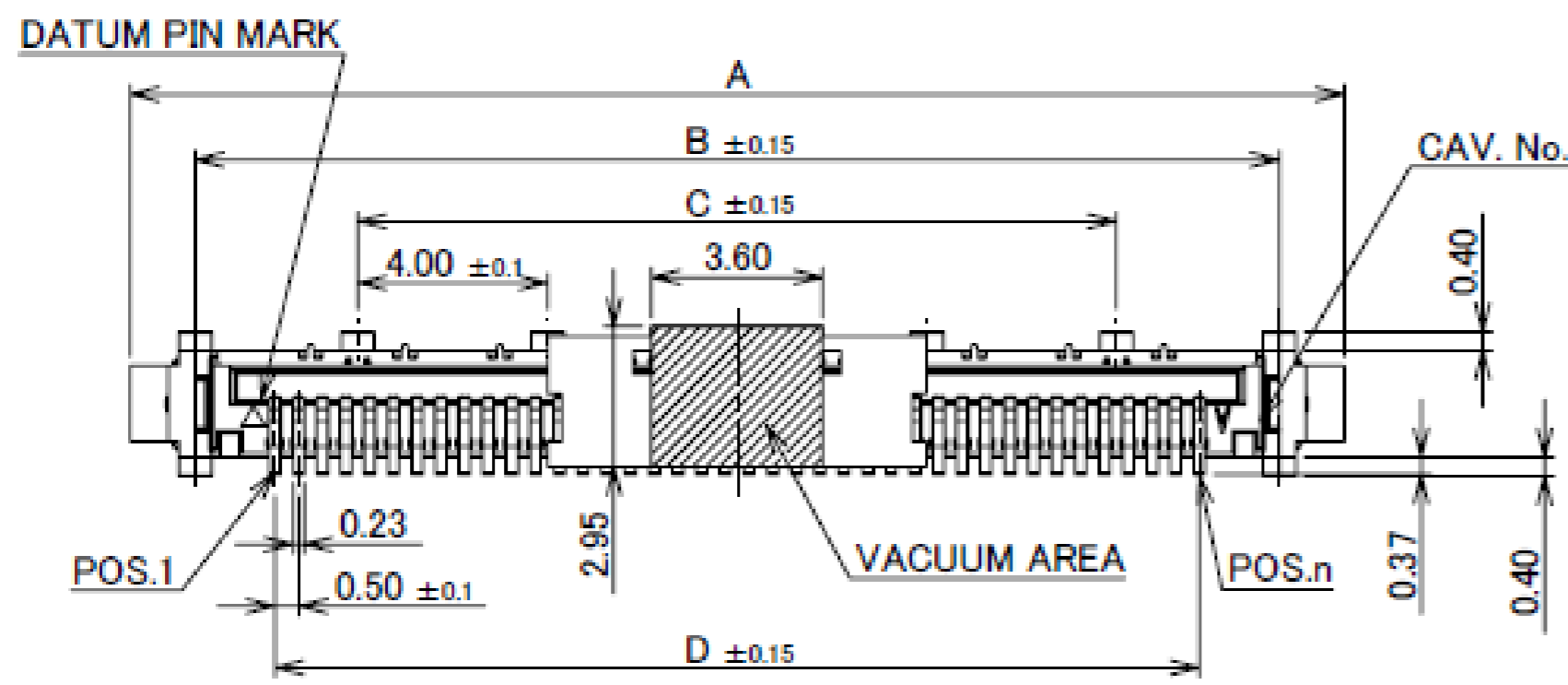
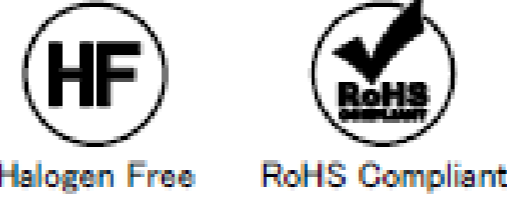
NO.	DISCRIPTION	MATERIAL	FINISH , REMARKS
1	SHELL-A	PHOSPHOR BRONZE	Sn(NO POLISH) 2.00 μm MIN. OVER Ni 1.00 μm MIN.

Rev.10

Receptacle Assembly

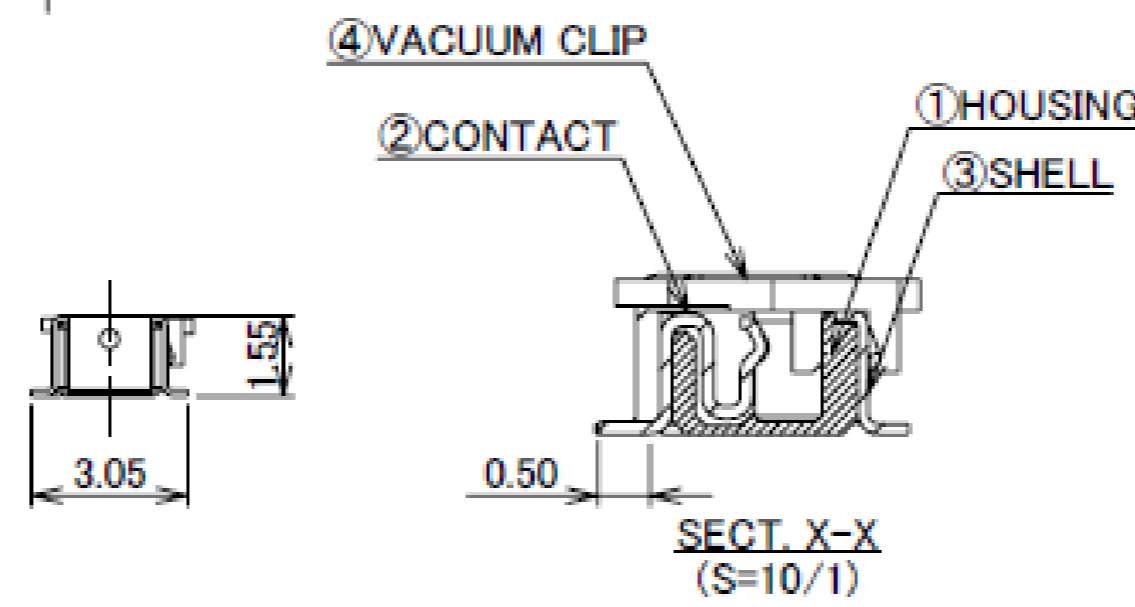
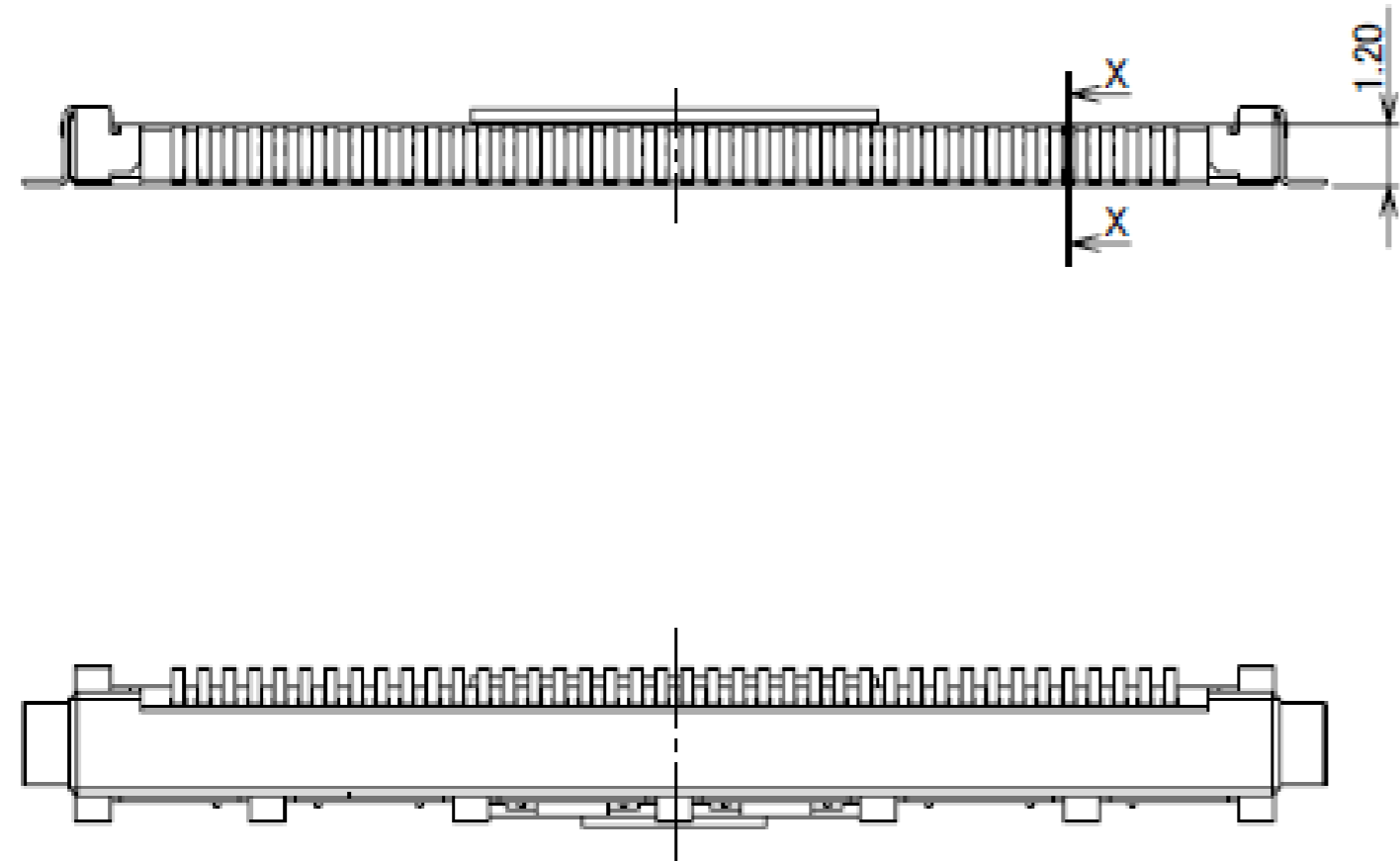
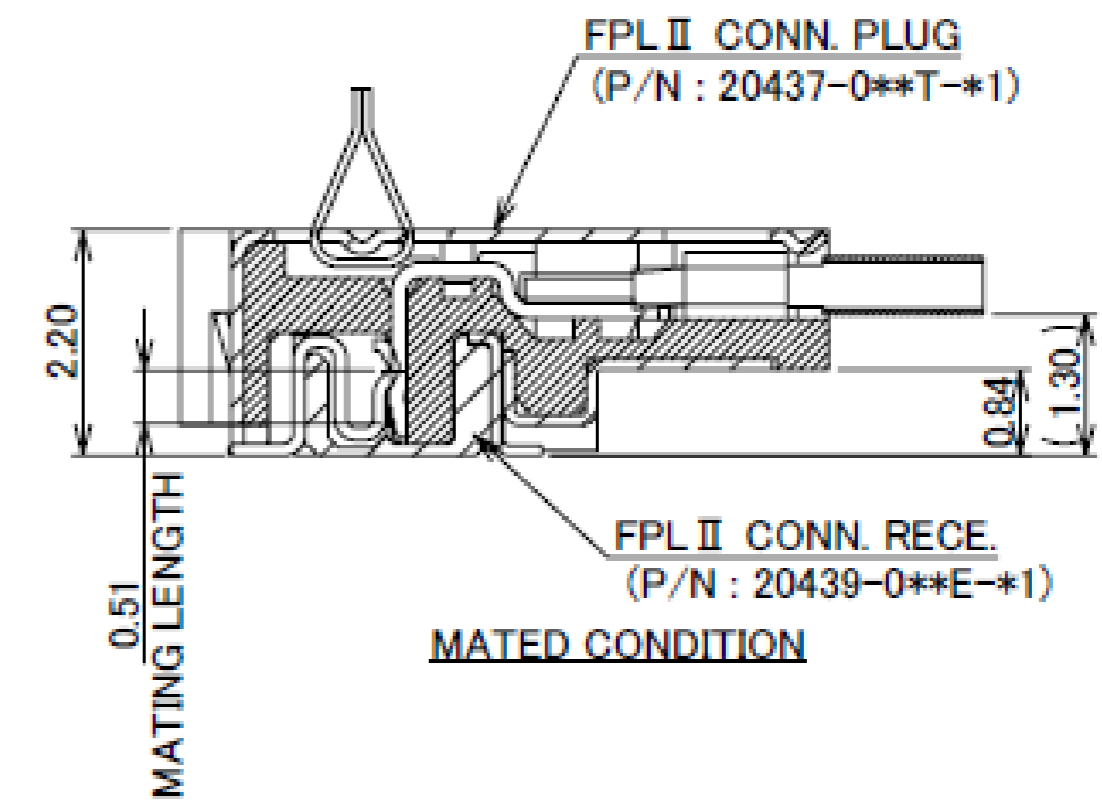
Recommended P/N		20439-0**E-01			
PART NO.	Pos.	A	B	C	D
20439-030E-*1	30	20.60	17.86	12.00	14.50
20439-040E-*1	40	25.60	22.86	16.00	19.50
20439-050E-*1	50	30.60	27.86	20.00	24.50

PART NO.	CONTACT FINISH (MATING SIDE)
20439-0**E-01	Au 0.1 μm MIN.
20439-0**E-11	Au 0.3 μm MIN.



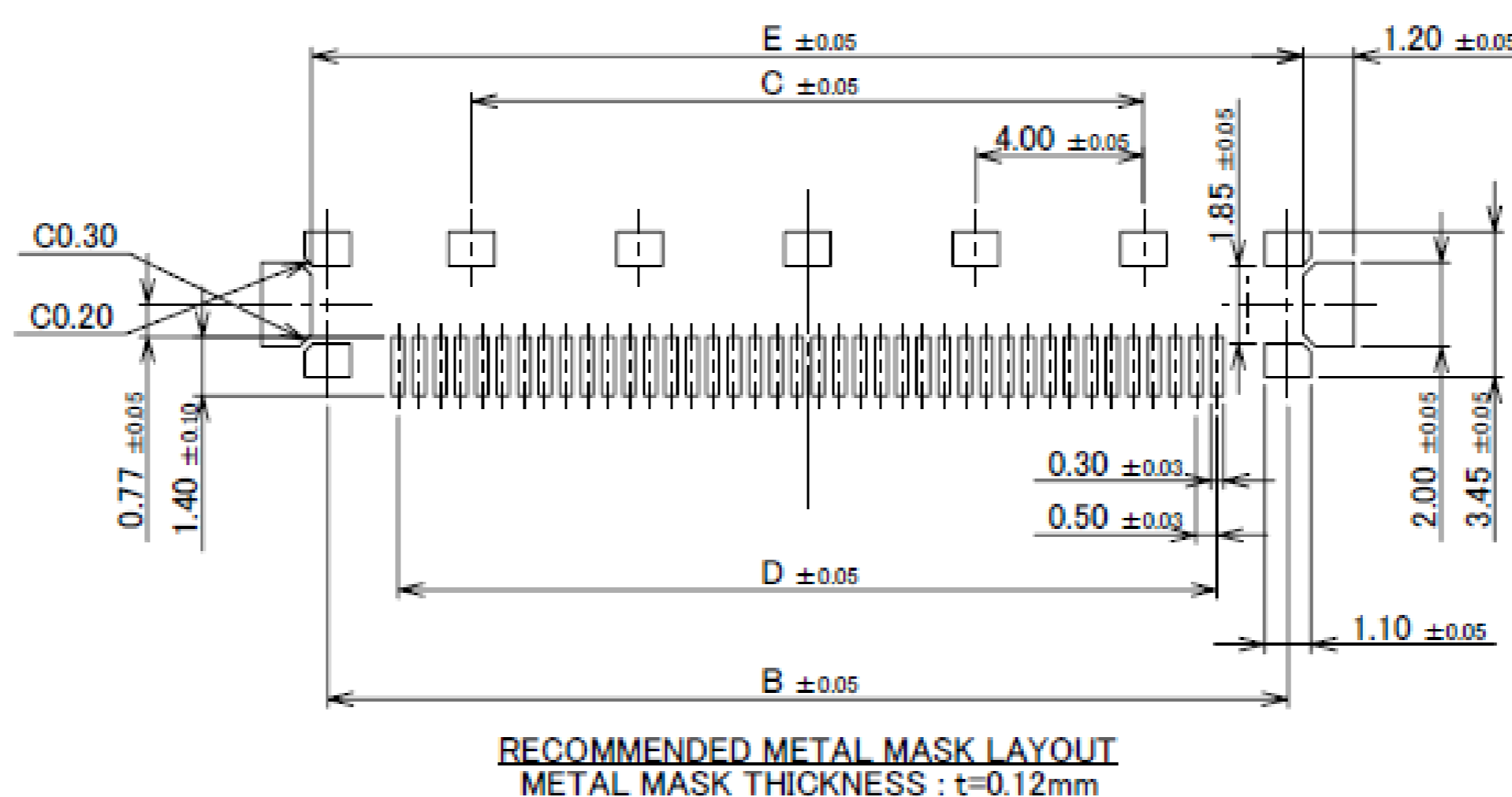
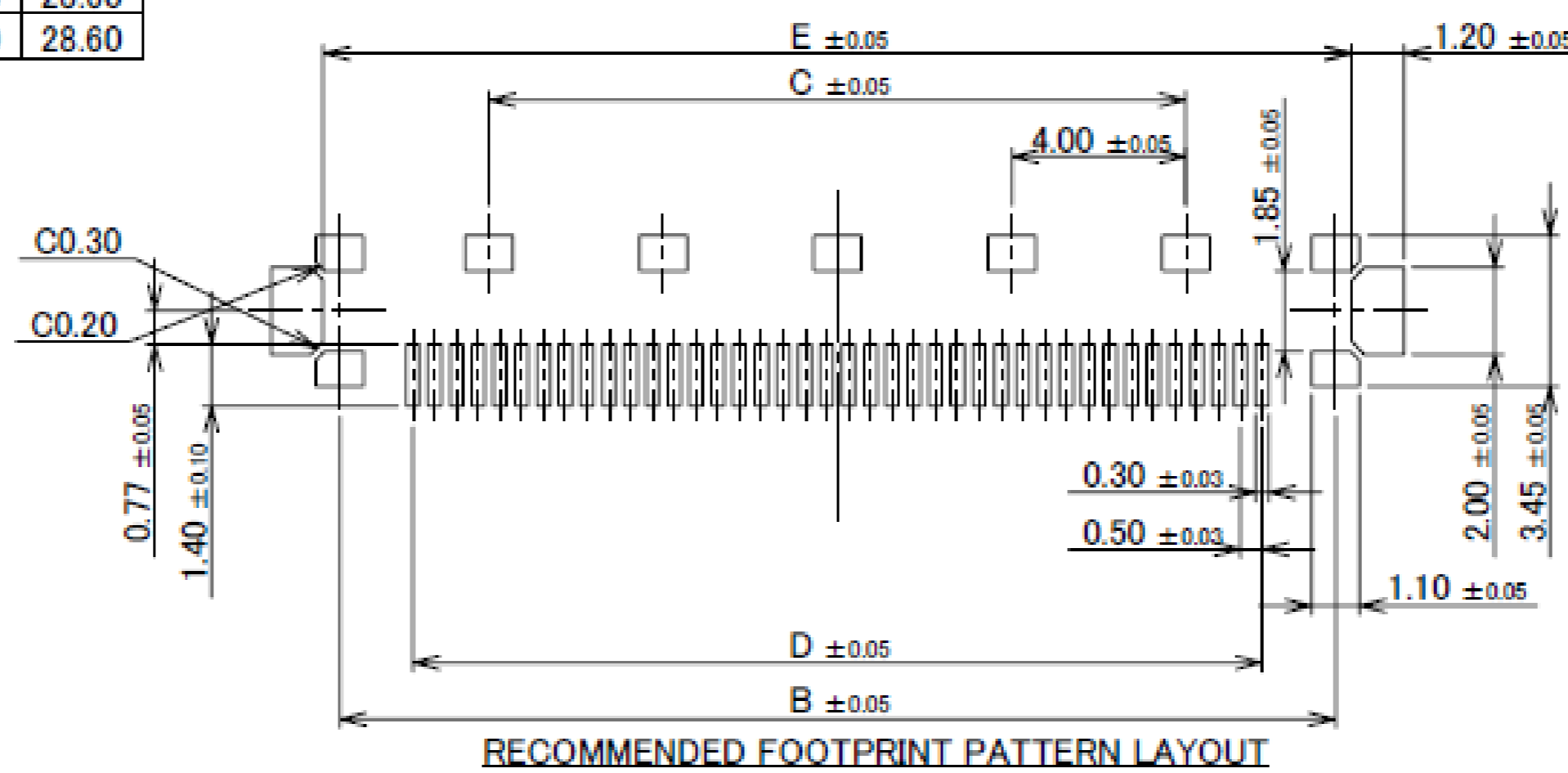
MATING COMBINATION TABLE

Pos.	PLUG PART NO.	RECE. PART NO.
30P	20437-030T-*1	20439-030E-*1
40P	20437-040T-*1	20439-040E-*1
50P	20437-050T-*1	20439-050E-*1



NO.	DISCRIPTION	MATERIAL	FINISH , REMARKS
4	VACUUM CLIP	LCP	UL94V-0, BEIGE
3	SHELL	PHOSPHOR BRONZE	Sn(NO POLISH) 0.50 μm MIN. OVER Ni 1.00 μm MIN.
2	CONTACT	PHOSPHOR BRONZE	PART NO. 20439-0**E-0* MATING AREA : Au 0.10 μm MIN. OVER Ni 1.00 μm MIN. OTHER AREA : Au 0.05 μm MIN. OVER Ni 1.00 μm MIN.
1	HOUSING	LCP	PART NO. 20439-0**E-1* MATING AREA : Au 0.30 μm MIN. OVER Ni 1.00 μm MIN. OTHER AREA : Au 0.05 μm MIN. OVER Ni 1.00 μm MIN.

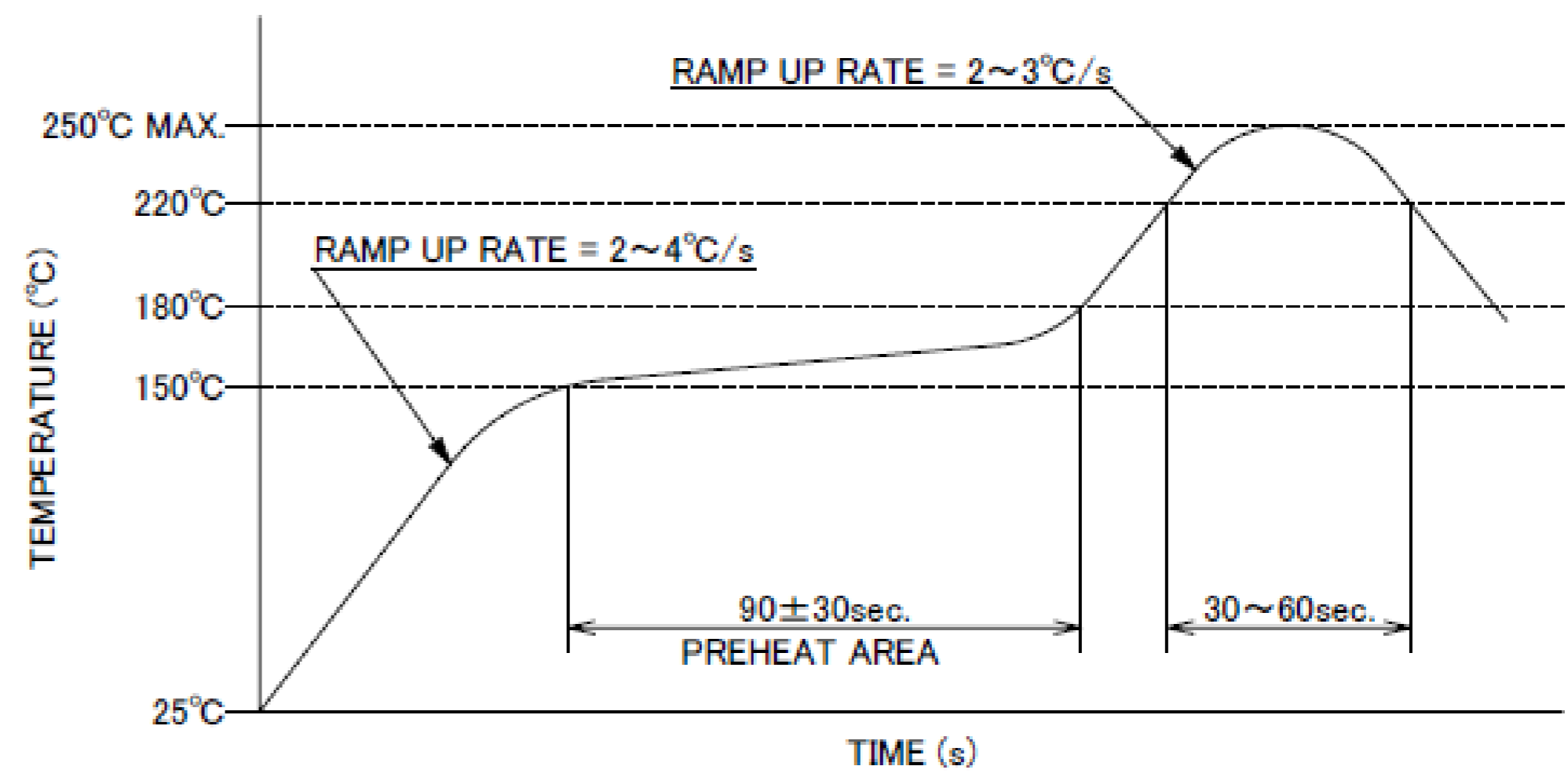
PART NO.	Pos.	B	C	D	E
20439-030E-*1	30	17.86	12.00	14.50	18.60
20439-040E-*1	40	22.86	16.00	19.50	23.60
20439-050E-*1	50	27.86	20.00	24.50	28.60



Rev.23

Rev.23

Receptacle Assembly



SENJU METAL INDUSTRY CO., LTD. : M705-SHF(Sn96.5 Ag3.0 Cu0.5)

Rev.23

ITEMS	SPECIFICATION
APPLICABLE CABLE	MICRO-COAXIAL CABLE : AWG# 40, 38, 36, 34, 32 DISCRETE WIRE : AWG# 36, 34, 32 TWINAX CABLE : AWG# 40
RATING VOLTAGE	100V AC (PER CONTACT PIN)
RATING AMPERAGE (FOR CONTACT)	0.3A AC/DC [AWG#40] PER CONTACT PIN / UP TO 50 CONTACTS 0.6A AC/DC [AWG#38] PER CONTACT PIN / UP TO 6 CONTACTS 0.8A AC/DC [AWG#36] PER CONTACT PIN / UP TO 4 CONTACTS 1.0A AC/DC [AWG#34, 32] PER CONTACT PIN / UP TO 7 CONTACTS TESTING BY REAL MACHINE IS RECOMMENDED BECAUSE TEMPERATURE RISE MAY AFFECTED BY ACTUAL SITUATION.
OPERATING TEMPERATURE	233~358K(-40°C~+85°C)
OPERATING HUMIDITY	85% MAX.(NON-CONDENSING)
CONTACT RESISTANCE	INITIAL : 145mohm MAX.(AWG#32) / AFTER TEST : \triangle 40mohm MAX. 185mohm MAX.(AWG#34) 210mohm MAX.(AWG#36) 335mohm MAX.(AWG#38) 575mohm MAX.(AWG#40)
GROUND SHELL RESISTANCE	INITIAL : 50mohm MAX. / AFTER TEST : \triangle 40mohm MAX.
INSULATION RESISTANCE	INITIAL : 1000Mohm MIN. / AFTER TEST : 500Mohm MIN.
DIELECTRIC WITHSTANDING VOLTAGE	AC250V 1min
DURABILITY	30 CYCLES
MATING FORCE (INITIAL / AFTER TEST)	30P : 50.0N MAX. / 40P : 60.0N MAX. / 50P : 70.0N MAX.
UNMATING FORCE (INITIAL / AFTER TEST)	30P : 5.0N MIN. / 40P : 6.0N MIN. / 50P : 7.0N MIN.
CABLE RETENTION FORCE	30.0N MIN.
COPLANARITY	0.10 MAX.
PRODUCT SPECIFICATION	PRS-1383
TEST REPORT	TR-07048
PACKING STANDARD	PLUG HOUSING ASS'Y : 300-584 / PLUG SHELL-A : 300-585
INSTRUCTION MANUAL	HIM-09007
ASSEMBLY MANUAL	ASM-07005
APPEARANCE CRITERIA No.	QLS-A***

Rev.17

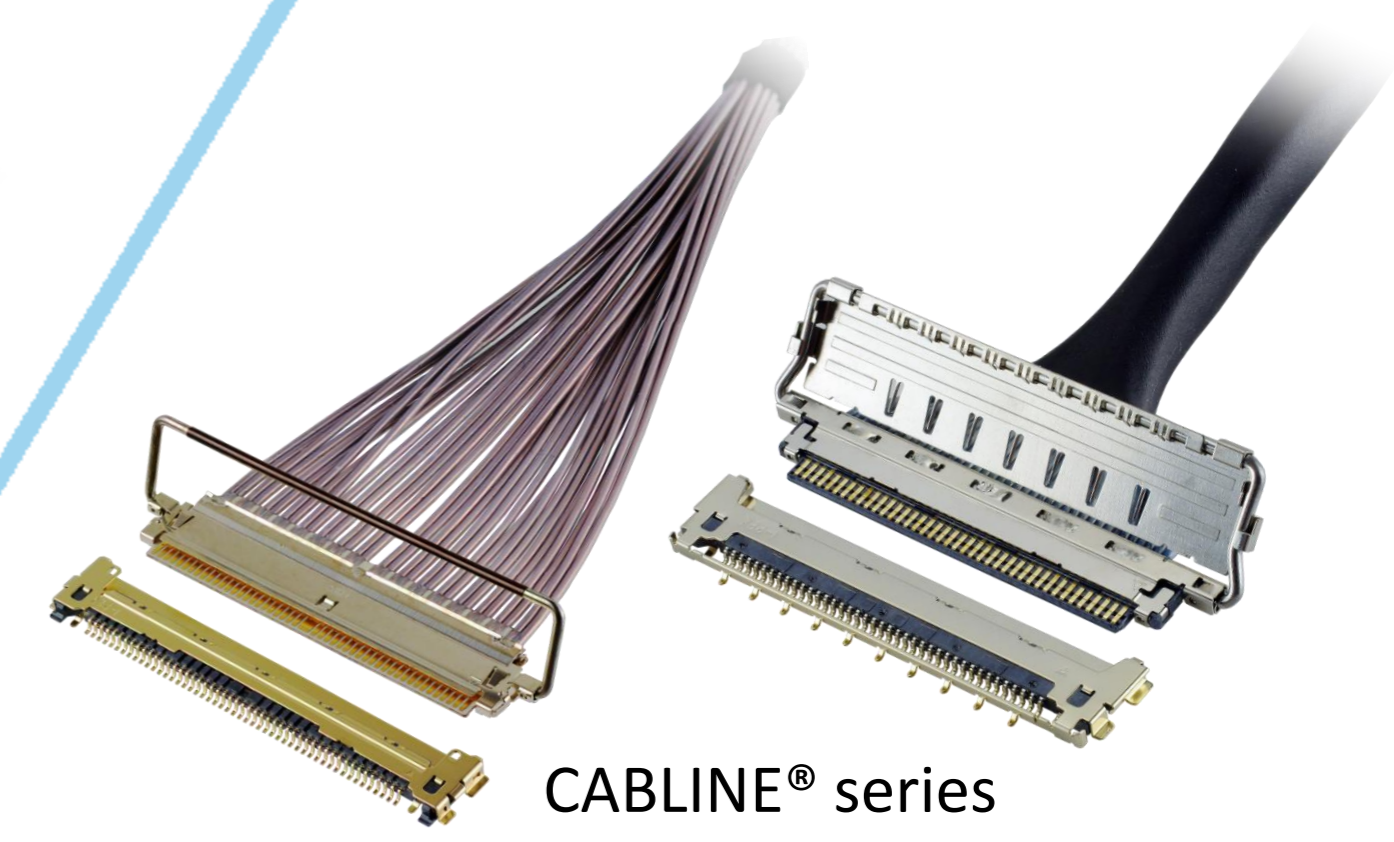
Custom Connectors Available

 RF Connector

MHF® series



CABLINA® series
Micro-coaxial/Twinax/
Discrete Wire Connector



Optical Module

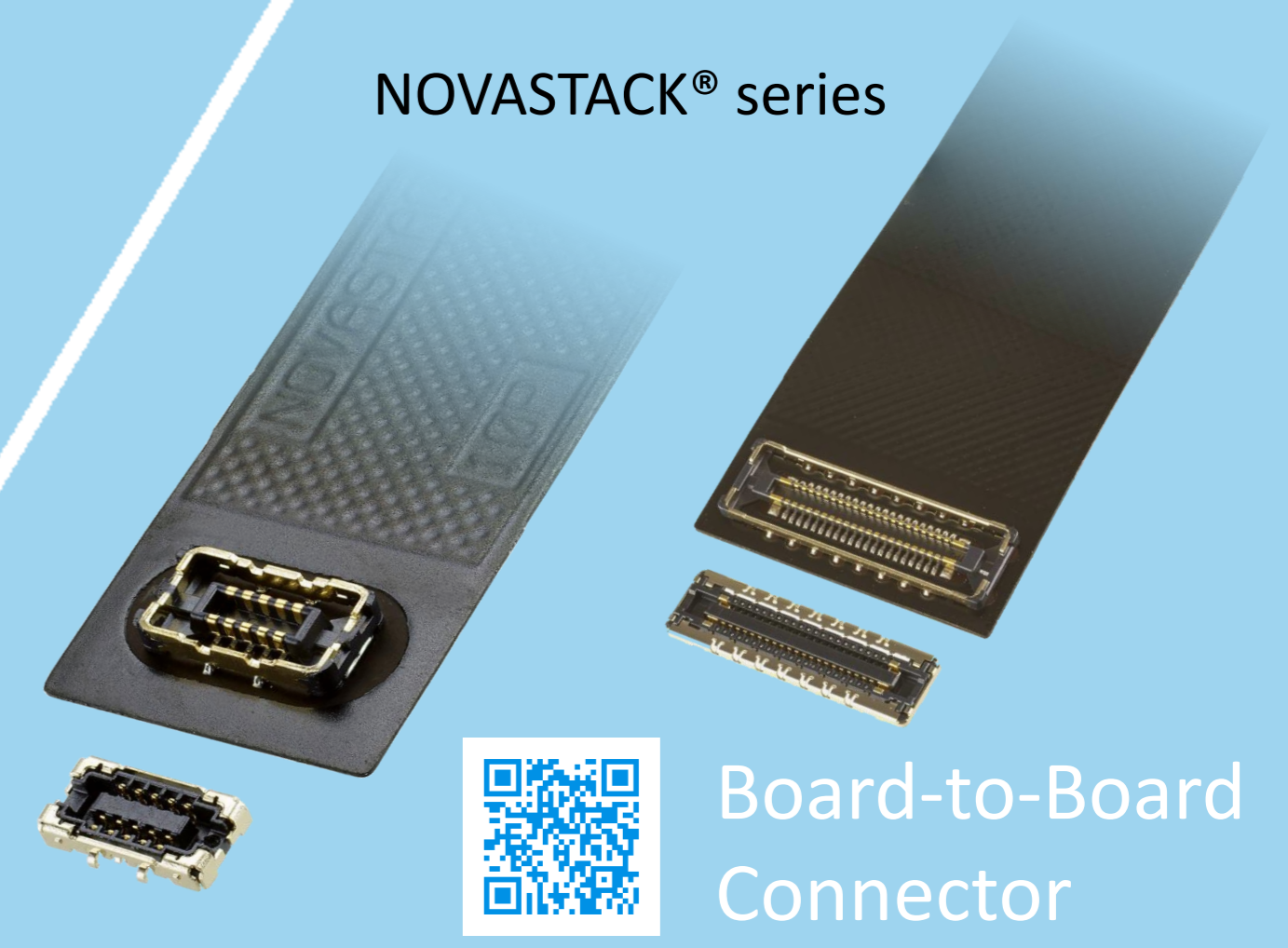
LIGHTPASS® series



NOVASTACK® series



Board-to-Board Connector



Power Connector/
Terminal

AP series

ISH® series



MINIFLEX® series

EVAFLEX® series



FPC FFC Connector



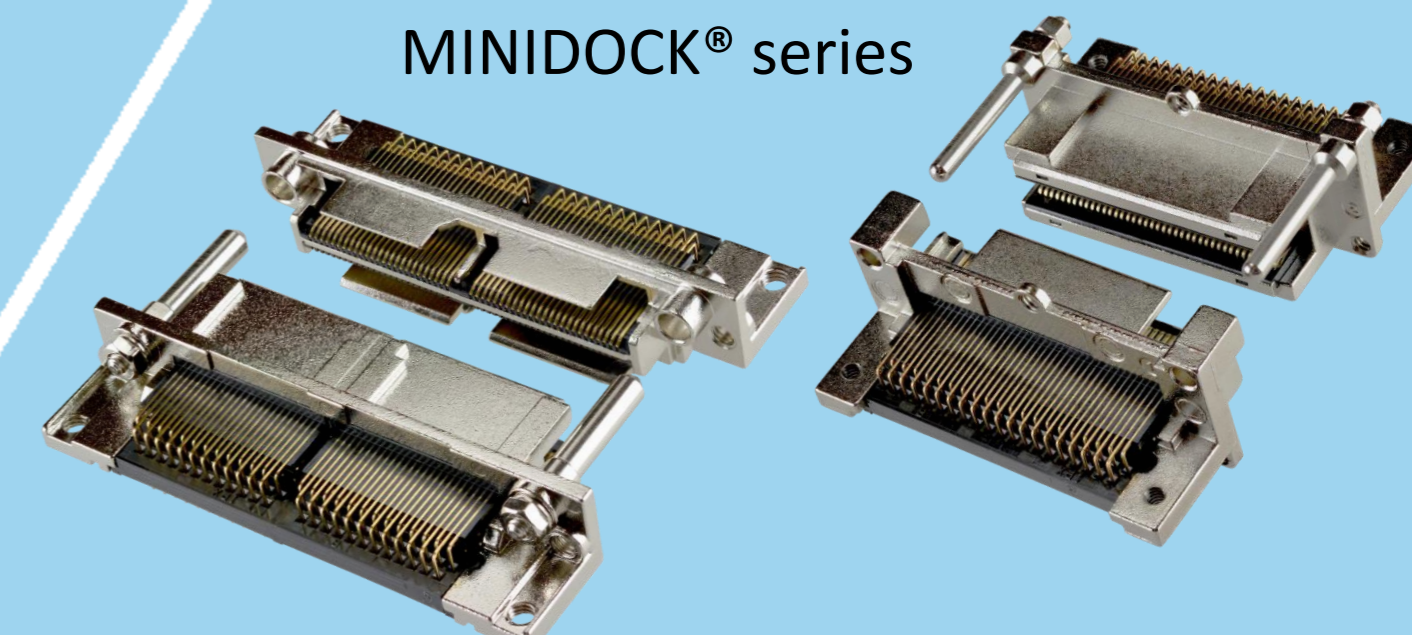
Inquiry



MINIDOCK® series



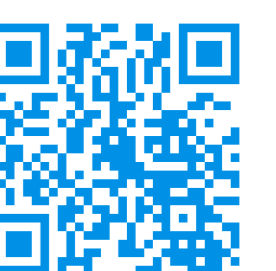
I/O Connector



I-PEX, MHF, CABLINE, LIGHTPASS, NOVASTACK, ISH, IARPB, MINIFLEX, EVAFLEX, MINIDOCKS and ZenShield are registered trademarks of I-PEX Inc. Please note that the contents in the catalog might be changed without prior notification. I-PEX Inc. assumes no responsibility for any inaccuracies or obligation to update information on these documents. Please be sure to read and understand the latest "Precautions for Use" and "Instruction Manual" before you use our products. We shall not be responsible for any defects, damages or troubles in case you use our products without following the precautions for use. Please feel free to contact our sales representatives when you use our products for any applications that require very high reliability and safety, or that relate to human life (ex. nuclear power control, aerospace, transportation, medical equipment, safety equipment etc.).

Contact your sales representative or more detailed information.

www.i-pex.com



I-PEX

© I-PEX Inc. 2024
All rights reserved