

EVAFLEX® 5

自動鎖扣 · 高速數據傳輸 · 水平插拔, 0.5 mm 間距帶屏蔽的FFC/FPC連接器

Product Specifications:

Board Pitch (mm)	0.5	
Wiping Length (mm)	1.75	
Size (mm)	Height	4.75 +/- 0.15
	Width	Formula: 12.35 + (0.5*?p)
	Depth	5.95 +/- 0.20
Pin counts	Range	21 - 51
	Available	41, 51

*若有規格外 Pin 數需求, 請與當地負責業務窗口聯繫。

Applicable FPC/FFC:

FPC/FFC Type	Shielded FFC
FPC/FFC Contact Point	Lower
FPC/FFC Thickness (mm)	0.33 +/- 0.03

Applicable Standards (Reference Only):

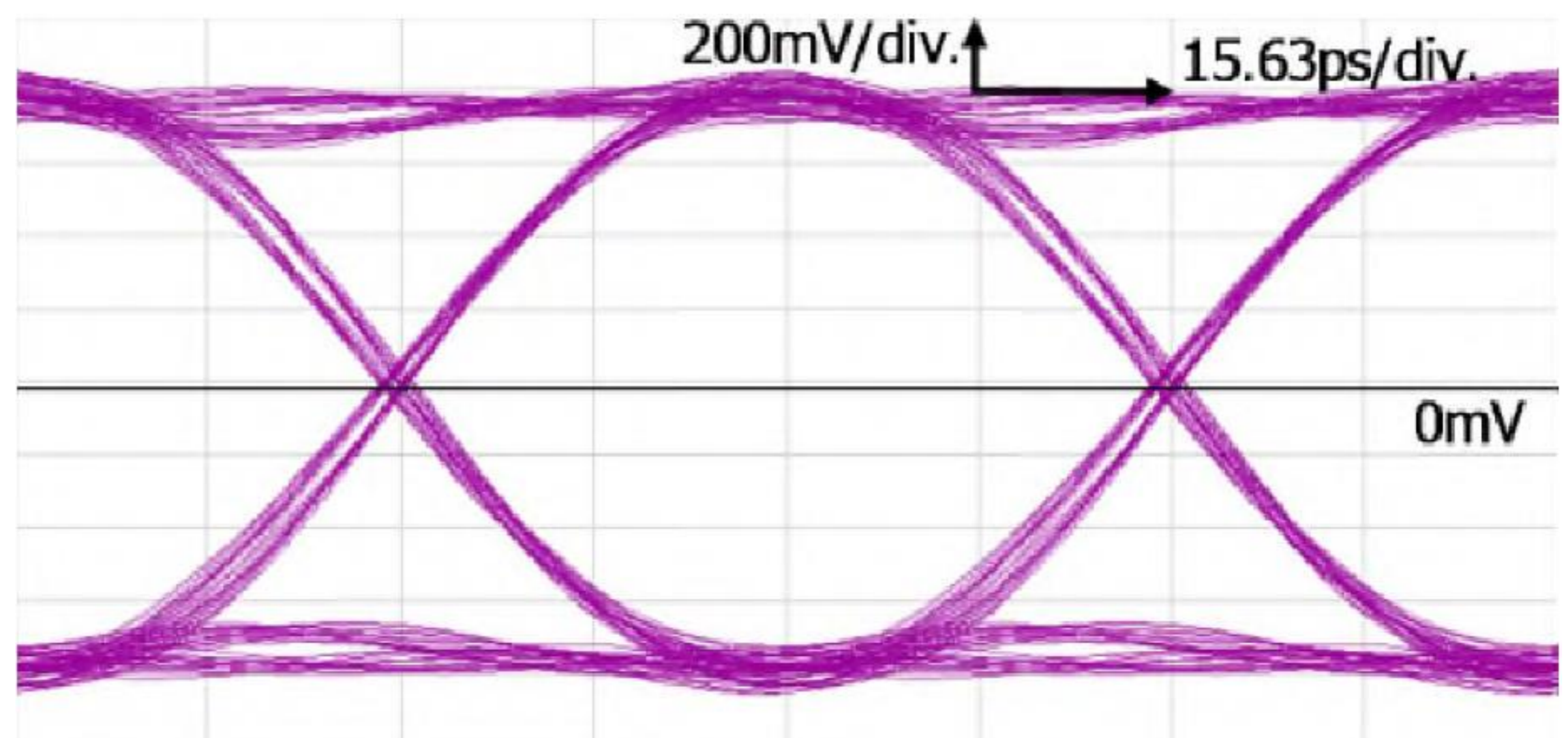
eDP HBR2 (5.4 Gbps) V-By-One US (16 Gbps)



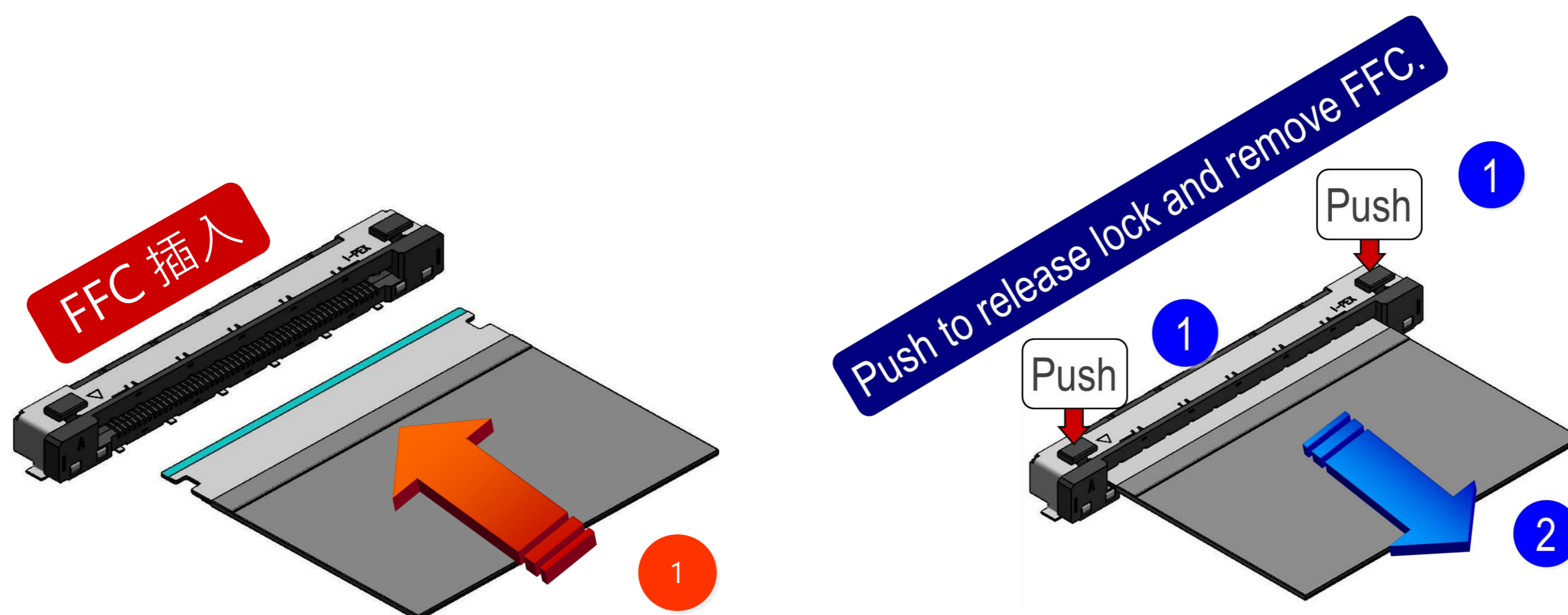
▶ 高信號傳輸設計 (16+ Gbps V-by-One® US)

Eye pattern (Differential)
Bit rate : 16 Gbps
Rise time : 24 ps (10% - 90%)
Input Voltage : 800 mVp-p

*若有針對測試內容更詳細疑問, 請洽當地業務窗口。



▶ 使用者友善操作自動鎖扣介面設計, 手動或自動化的最佳選擇



一步完成自動鎖扣, 增進生產效能

▶ 延伸EVAFLEX® 系列產品自帶鎖扣連接器 還有其他選擇

全罩式屏蔽及更小型連接器

	EVAFLEX® 5-HD
高度 (mm)	2.00 +/- 02
可支持標準	USB 3.1 Gen2 (10+ Gbps)
特殊設計	360度全罩式屏蔽及多點接地設計可抑制EMI外洩



小型化耐高溫(105°C)

	EVAFLEX® 5-VS
高度 (mm)	1.90 +/- 01
深度 (mm)	4.95
可支持標準	PCIe Gen 3 (8+ Gbps)
操作溫度	~ 105°C



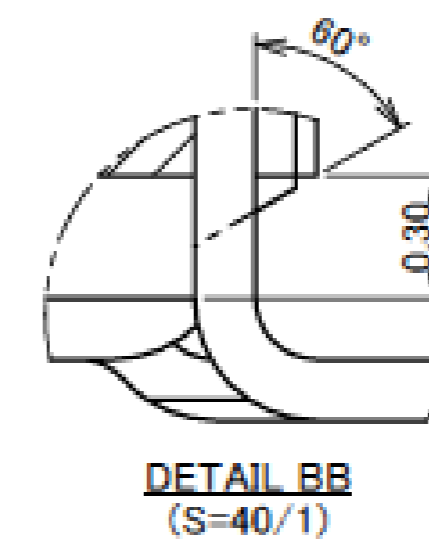
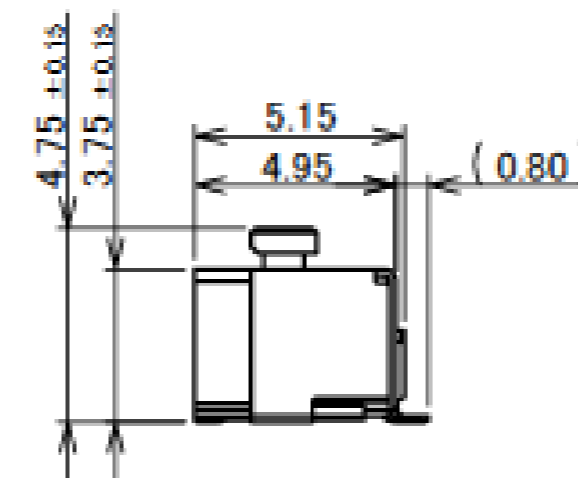
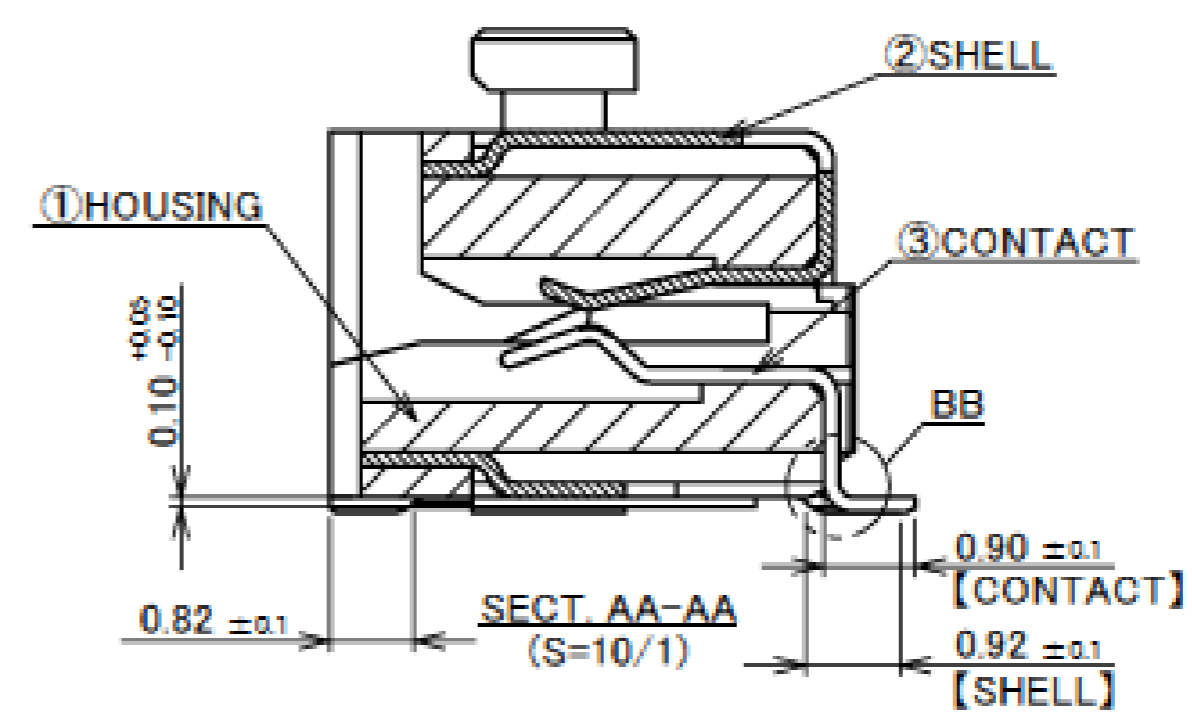
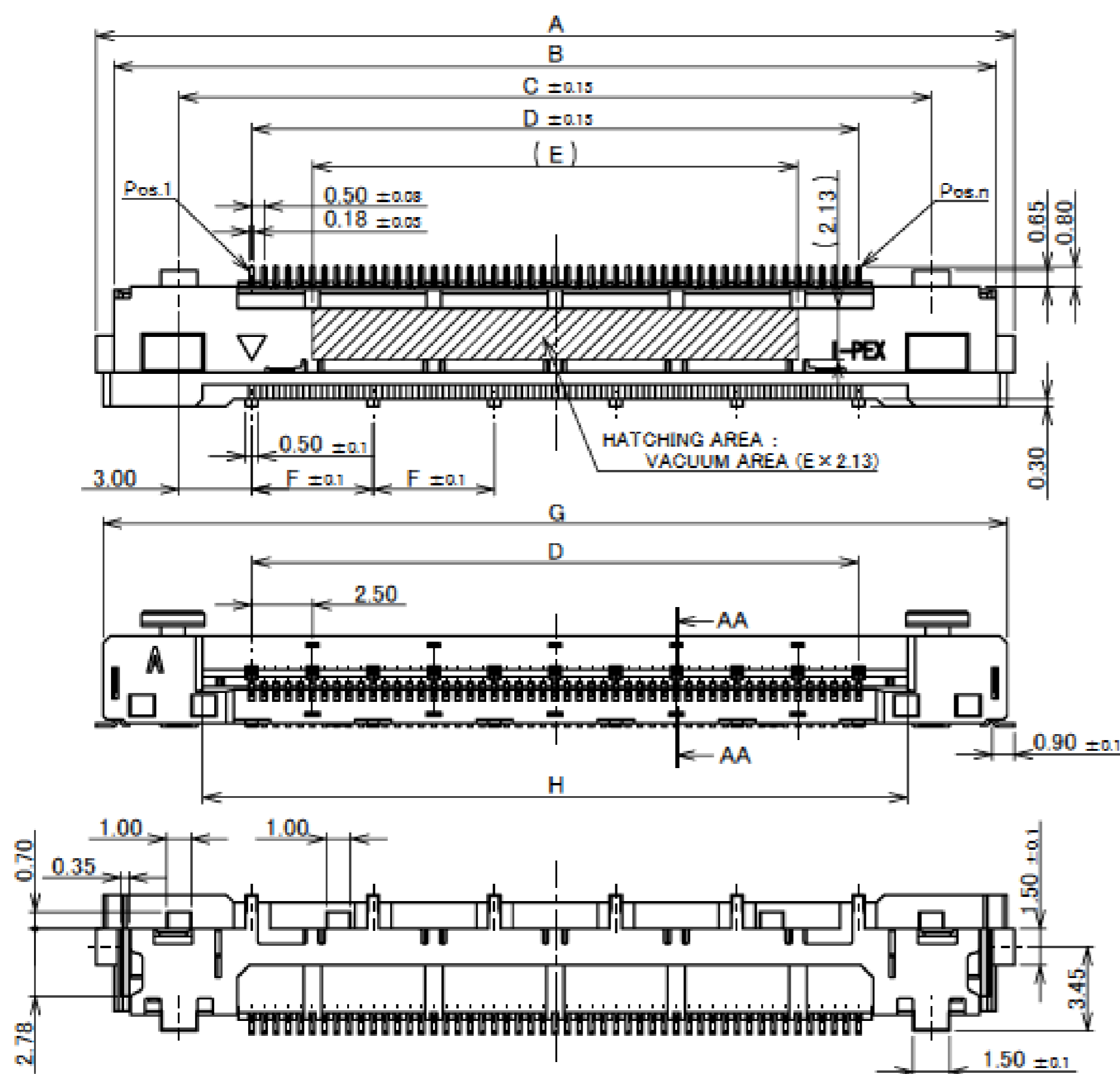
Component Parts Details

Connector Assembly

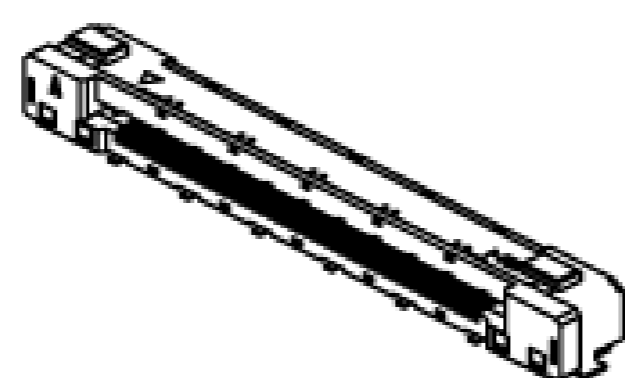
Recommended P/N		20818-0**E							
PART NO.	Pos.	A	B	C	D	E	F	G	H
20818-041E	41P	32.85	31.35	26.00	20.00	15.00	4.00	32.25	24.06
20818-051E	51P	37.85	36.35	31.00	25.00	20.00	5.00	37.25	29.06



Halogen Free RoHS Compliant

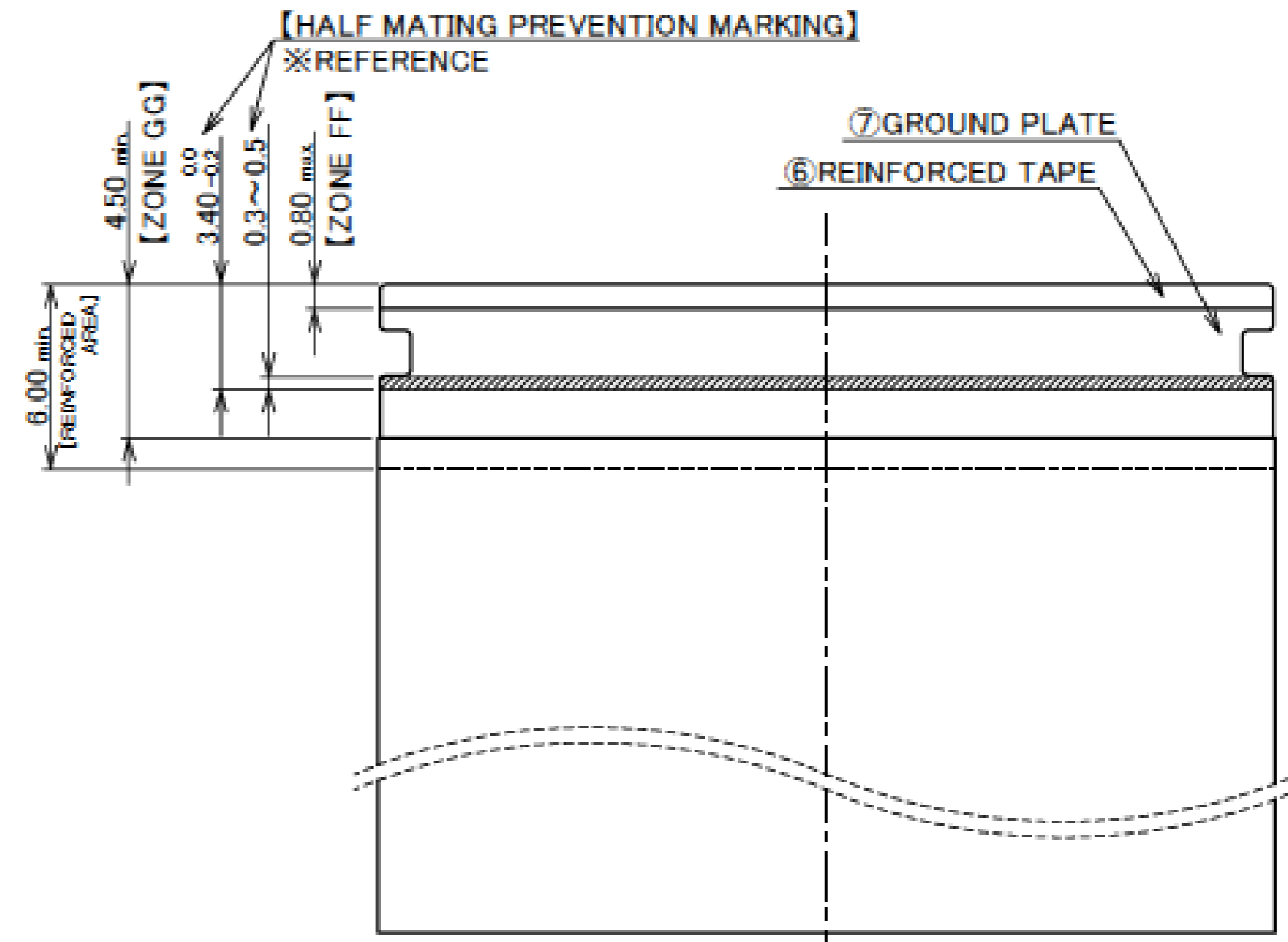
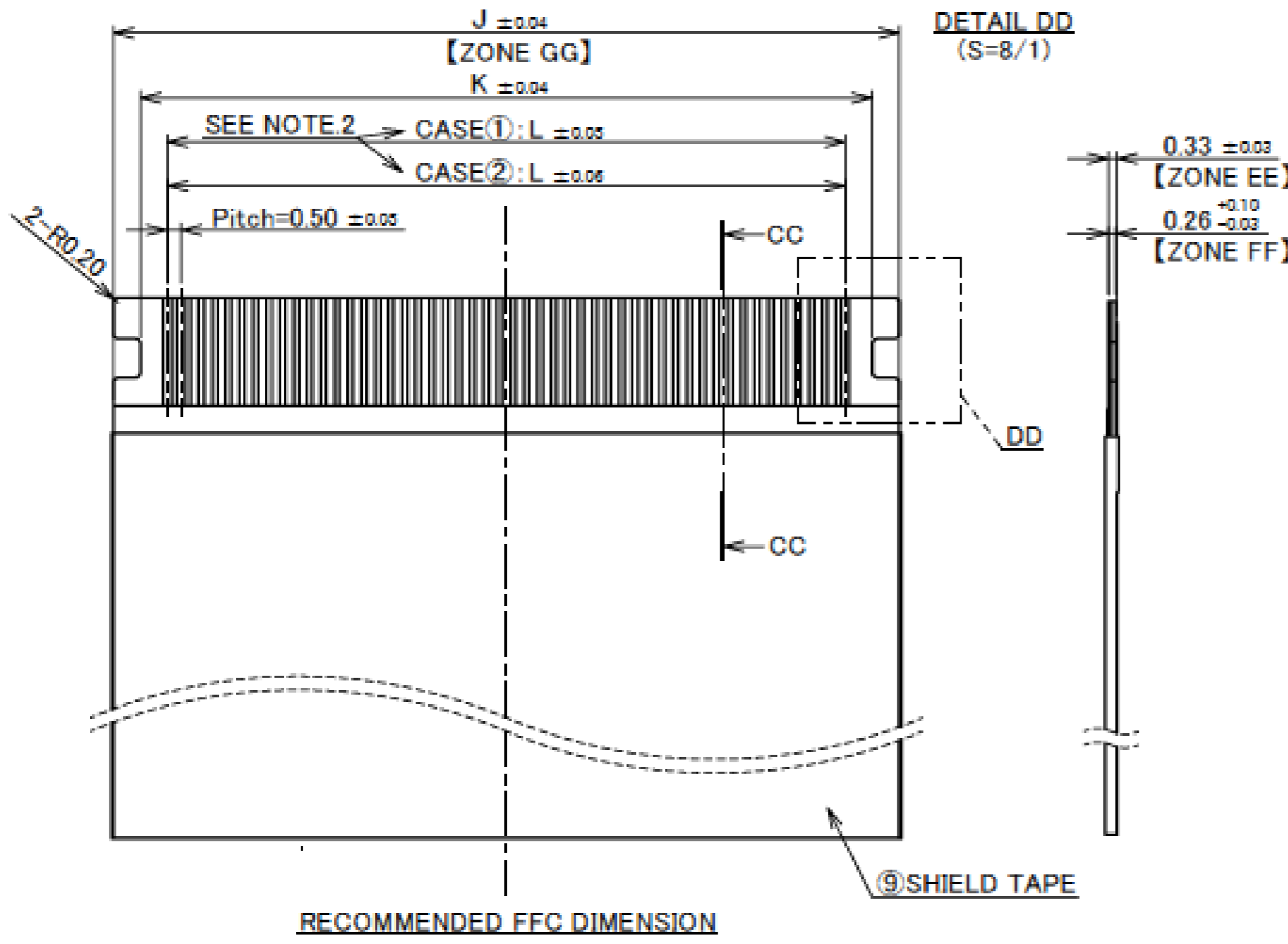
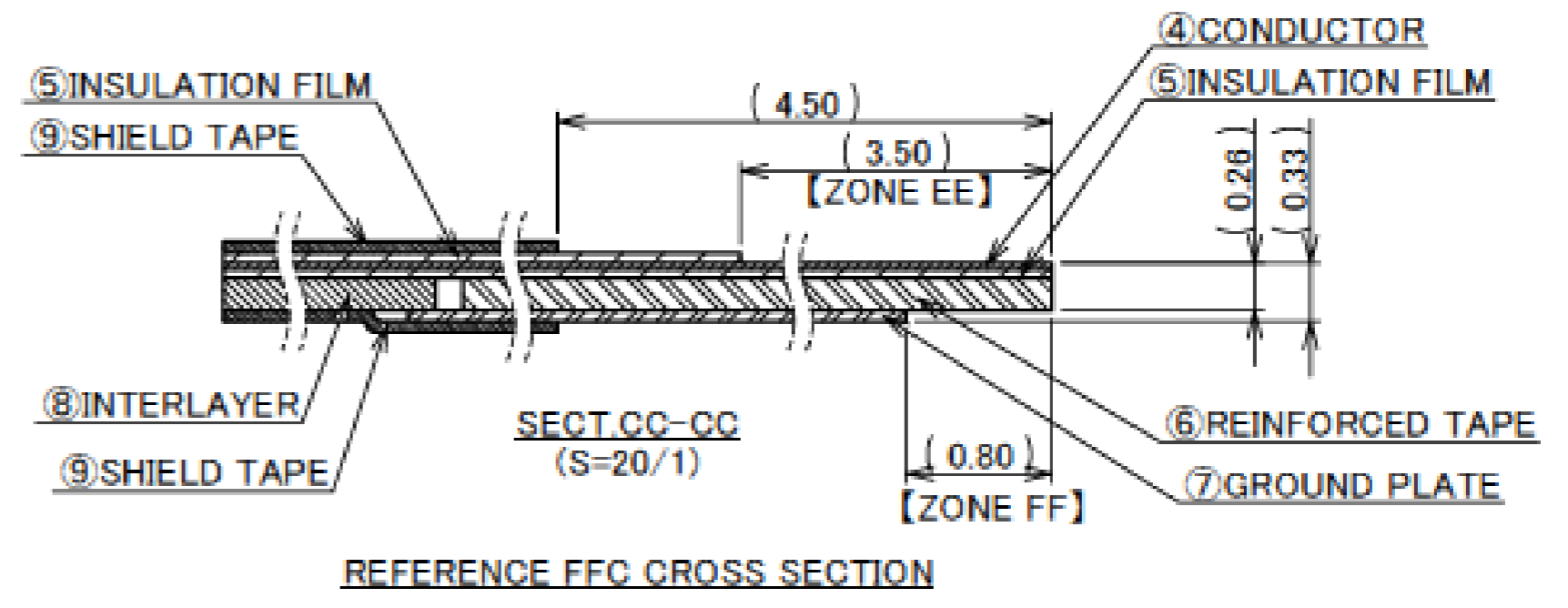
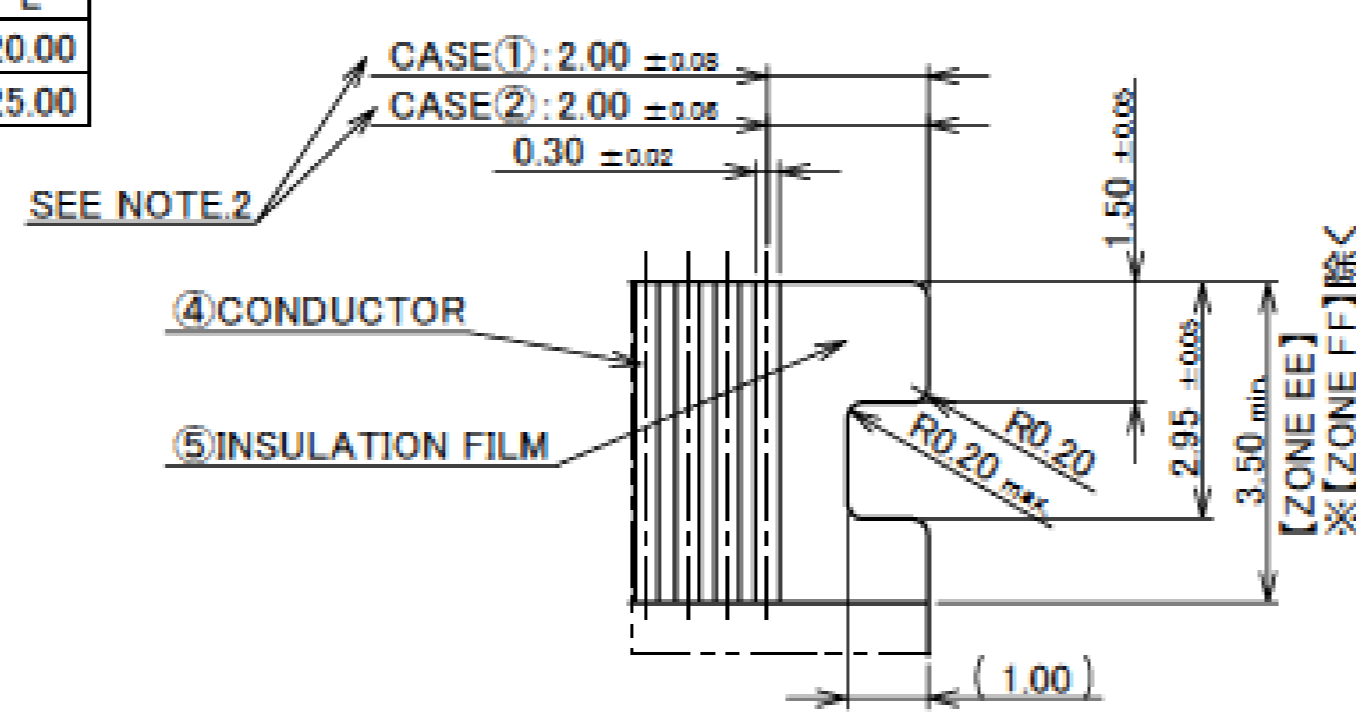


3	CONTACT	PHOSPHOR BRONZE	Au 0.03 μmMIN. OVER Ni 1.00 μmMIN.
2	SHELL	PHOSPHOR BRONZE	Sn 1.00 μmMIN. OVER Ni 1.00 μmMIN.
1	HOUSING	LCP	UL94V-0, BLACK
NO.	DISCRIPTION	MATERIAL	FINISH, REMARKS



Connector Assembly

PART NO.	Pos.	J	K	L
20818-041E	41P	24.00	22.00	20.00
20818-051E	51P	29.00	27.00	25.00

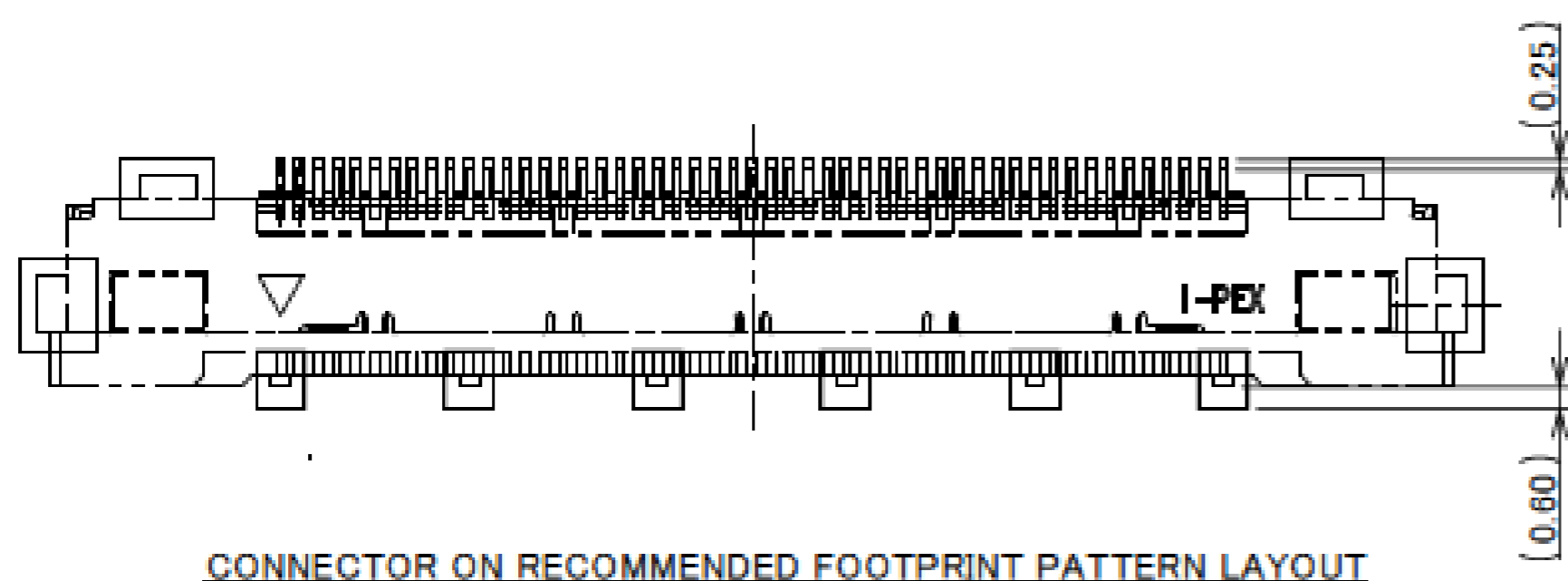
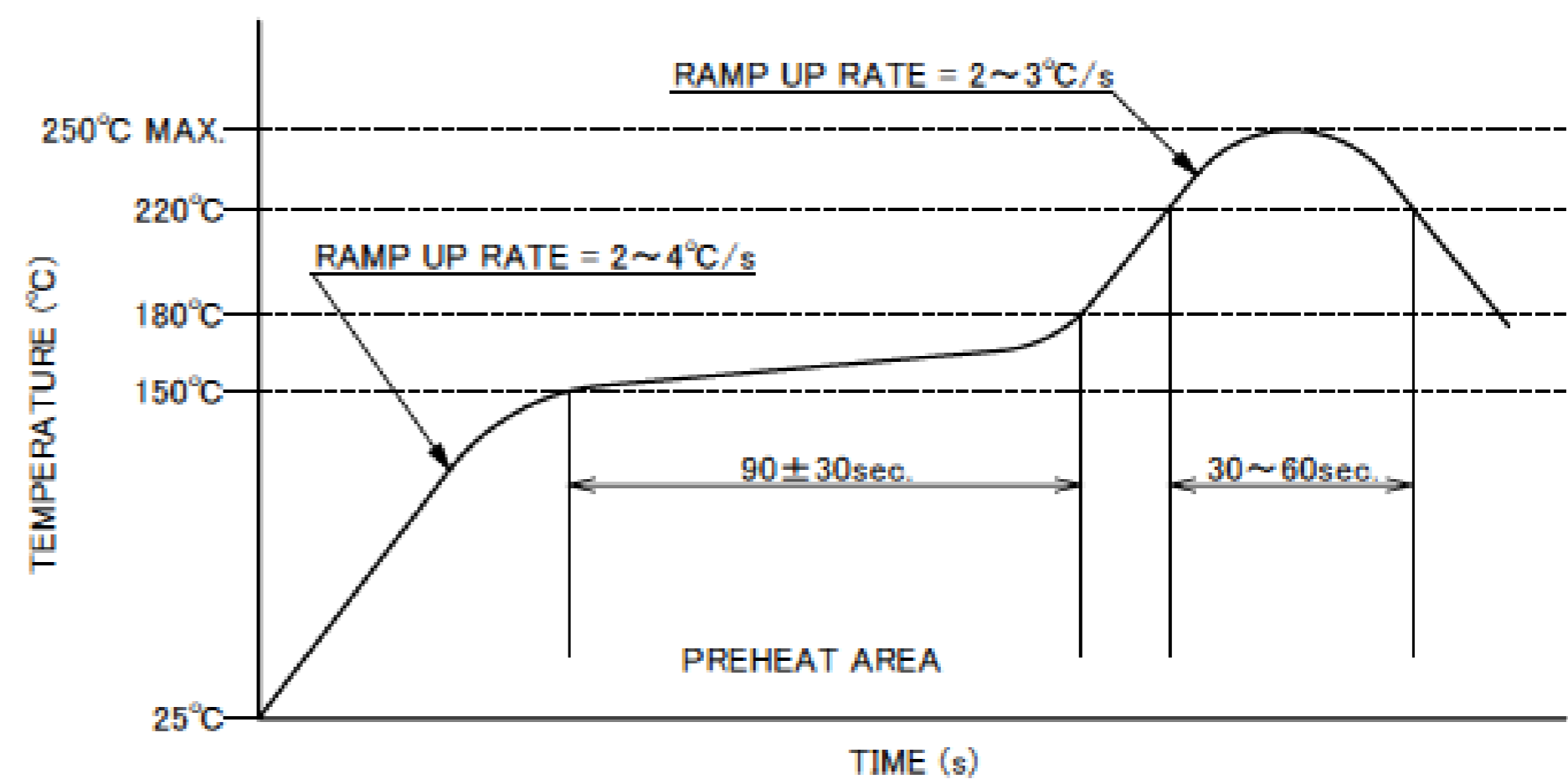
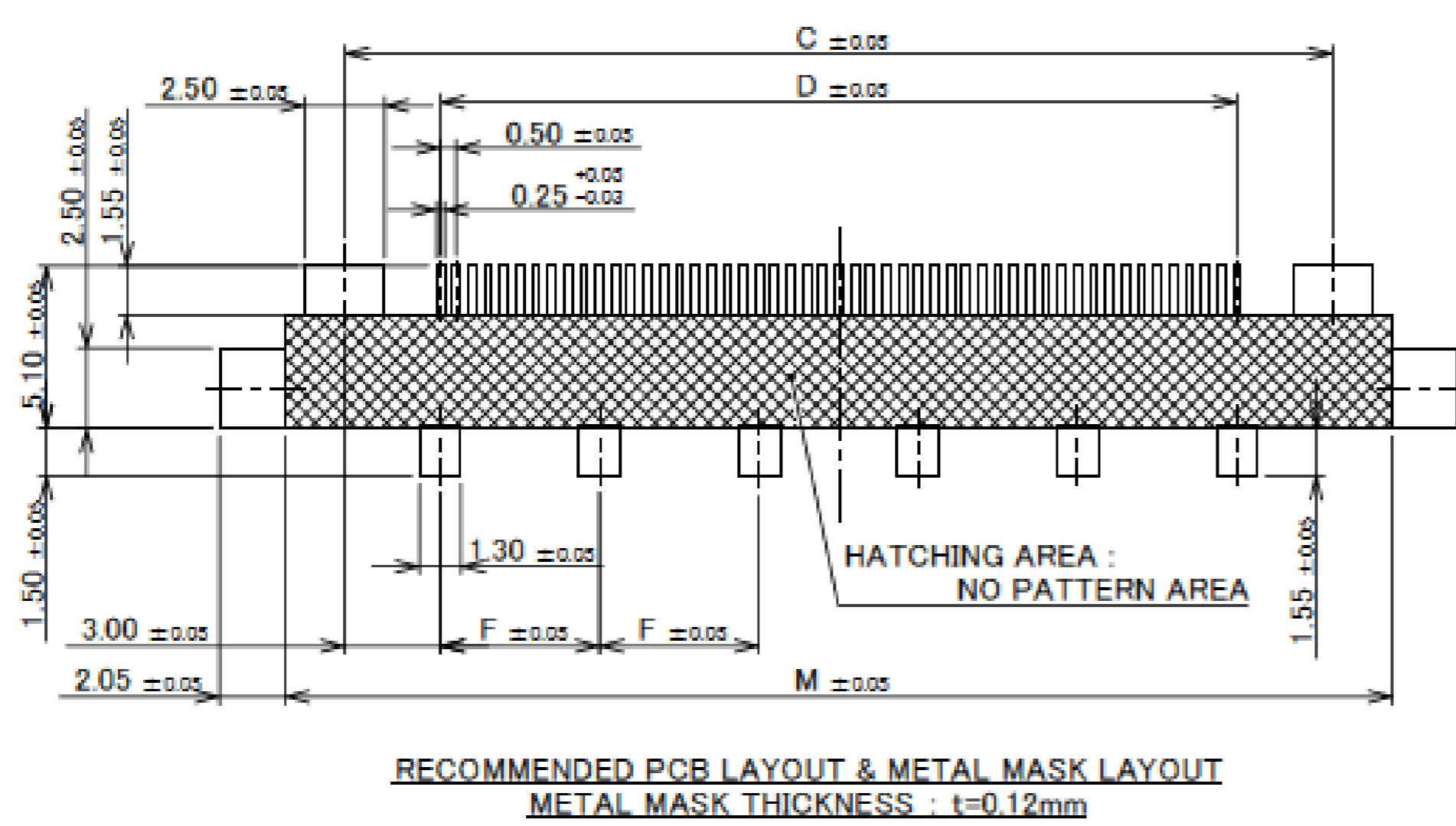


- NOTES
1. DIFFERENTIAL IMPEDANCE : $100 \pm 10 \Omega$
 2. MANUFACTURE CASE① or CASE②
 3. SELECT A MATERIAL WITH A SOFTENING TEMPERATURE OF 85°C OR HIGHER FOR THE PATTERN ADHESIVE PART OF FFC.

9	SHIELD TAPE	METALIC FILM	
8	INTERLAYER	ARBITRARY	
7	GROUND PLATE	METALIC FILM	POLISH or HALF POLISH Sn PLATING
6	REINFORCED TAPE	ARBITRARY	
5	INSULATION FILM	ARBITRARY	
4	CONDUCTOR	COPPER ALLOY	CONTACT AREA: Au 0.05 μ m MIN. OVER Ni 0.5 μ m MIN.
NO.	DISCRIPTION	MATERIAL	FINISH , REMARKS

Rev.1

PART NO.	Pos.	C	D	F	M
20818-041E	41P	26.00	20.00	4.00	29.75
20818-051E	51P	31.00	25.00	5.00	34.75



- NOTES
4. THIS AREA CANNOT MOUNT ANOTHER COMPONENTS.
 5. SOLDER RESIST SHALL BE APPLIED TO PREVENT SHORT CIRCUITS WHEN PLACING SIGNAL LINES ON GROUND AREA.

Rev.1

Connector Assembly

ITEMS	SPECIFICATION
RATING VOLTAGE	200V AC/DC (PER CONTACT PIN)
RATING AMPERAGE	0.3A AC/DC (PER CONTACT PIN)
OPERATING TEMPERATURE	233~358K(-40°C~+85°C)
OPERATING HUMIDITY	85% MAX.(NON-CONDENSING)
CONTACT RESISTANCE	INITIAL : 60mohm MAX. / AFTER TEST : \triangle 40mohm MAX.
INSULATION RESISTANCE	100Mohm MIN.
DIELECTRIC WITHSTANDING VOLTAGE	AC250V 1min
DURABILITY	30 CYCLES
MATING FORCE (INITIAL / 30 CYCLES)	41P : 29.2N MAX. / 51P : 30.0N MAX.
UNMATING FORCE (INITIAL / 30 CYCLES)	41P : 4.25N MIN. / 51P : 5.00N MIN.
FFC RETENTION FORCE	41P : 22N MIN./ 51P : 25N MIN.
COPLANARITY	0.10mm MAX.
PRODUCT SPECIFICATION	PRS-2671
TEST REPORT	TR-20035
PACKING STANDARD	300-980
INSTRUCTION MANUAL	HIM-12001
APPEARANCE CRITERIA No.	QLS-A***

Rev.1

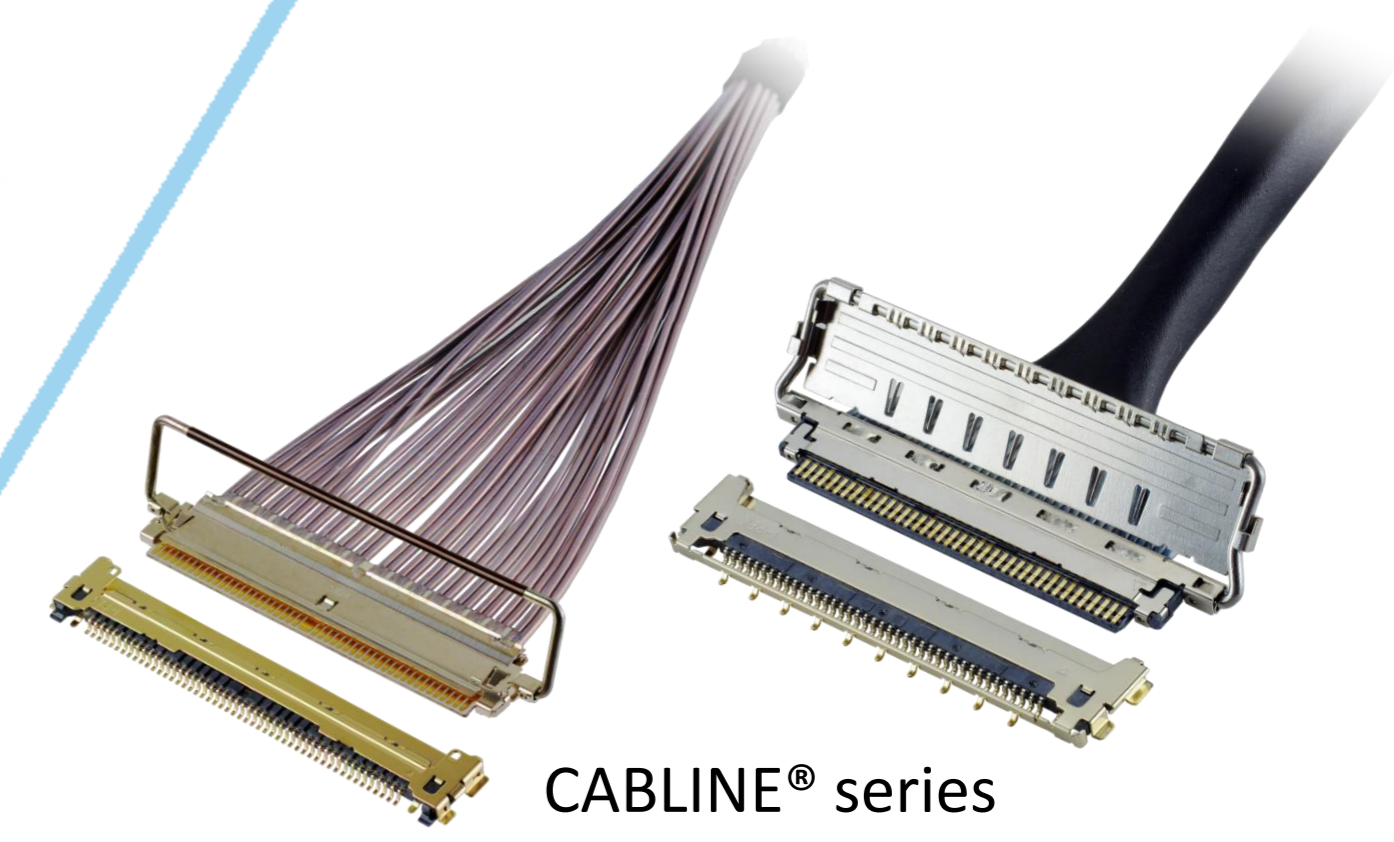
Custom Connectors Available

 RF Connector

MHF® series



CABLINÉ® series
Micro-coaxial/Twinax/
Discrete Wire Connector



Optical Module

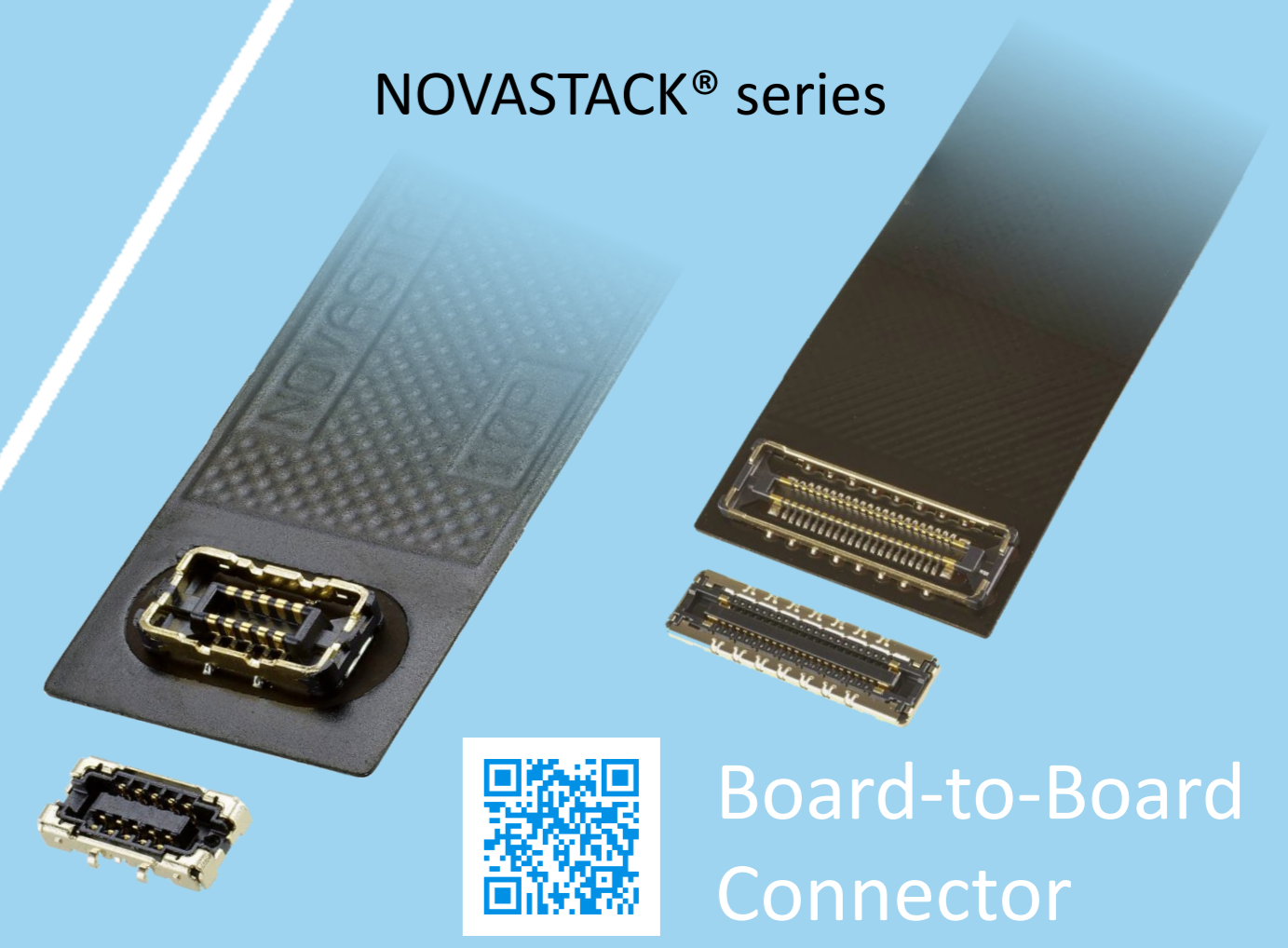
LIGHTPASS® series



NOVASTACK® series



Board-to-Board Connector



Power Connector/
Terminal

AP series

ISH® series



MINIFLEX® series

EVAFLEX® series



FPC FFC Connector



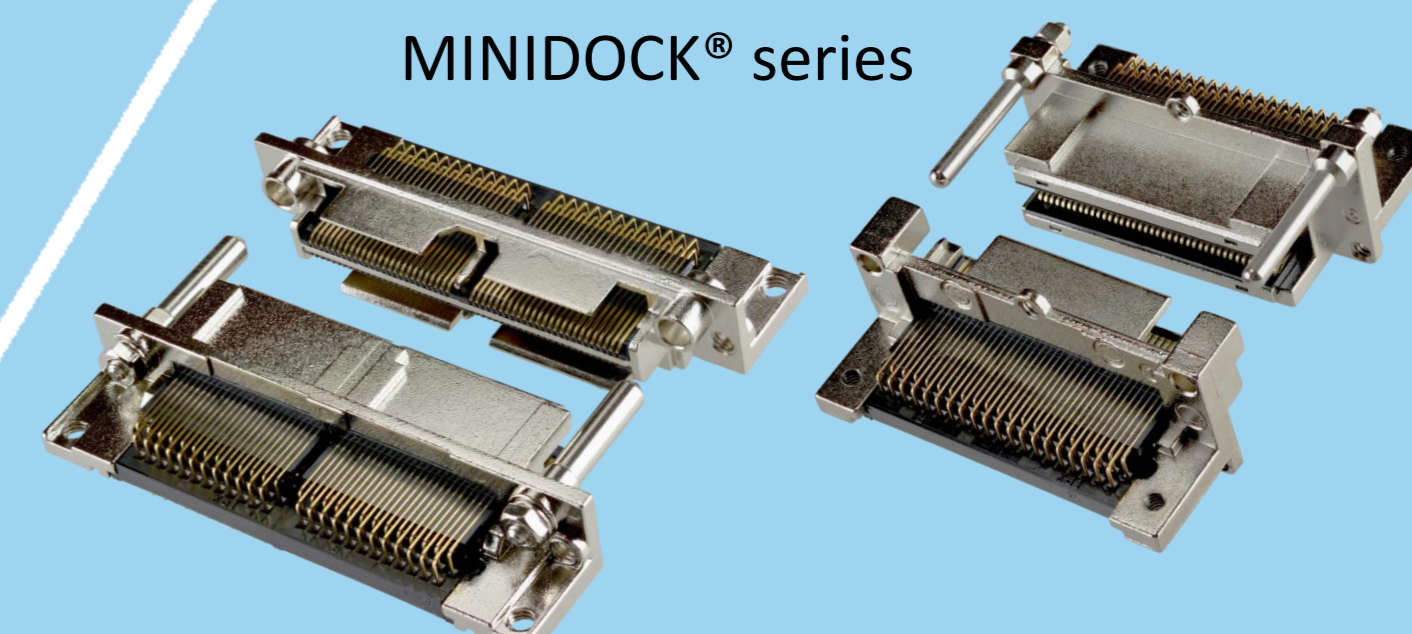
Inquiry



MINIDOCK® series



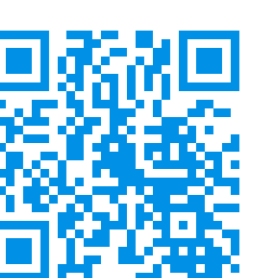
I/O Connector



I-PEX, MHF, CABLINE, LIGHTPASS, NOVASTACK, ISH, IARPB, MINIFLEX, EVAFLEX, MINIDOCKS and ZenShield are registered trademarks of I-PEX Inc. Please note that the contents in the catalog might be changed without prior notification. I-PEX Inc. assumes no responsibility for any inaccuracies or obligation to update information on these documents. Please be sure to read and understand the latest "Precautions for Use" and "Instruction Manual" before you use our products. We shall not be responsible for any defects, damages or troubles in case you use our products without following the precautions for use. Please feel free to contact our sales representatives when you use our products for any applications that require very high reliability and safety, or that relate to human life (ex. nuclear power control, aerospace, transportation, medical equipment, safety equipment etc.).

Contact your sales representative or more detailed information.

www.i-pex.com



I-PEX

© I-PEX Inc. 2024
All rights reserved