

# EVAFLEX® 5

自动锁扣，高速数据传输，水平插拔，0.5 mm 间距带屏蔽的FFC/FPC连接器

## Product Specifications:

Board Pitch (mm)	0.5	
Wiping Length (mm)	1.75	
Size (mm)	Height	4.75 +/- 0.15
	Width	Formula: 12.35 + (0.5*?p)
	Depth	5.95 +/- 0.20
Pin counts	Range	21 - 51
	Available	41, 51

## Applicable FPC/FFC:

FPC/FFC Type	Shielded FFC
FPC/FFC Contact Point	Lower
FPC/FFC Thickness (mm)	0.33 +/- 0.03

## Applicable Standards (Reference Only):

eDP HBR2 (5.4 Gbps) V-By-One US (16 Gbps)

\*如您需要了解未列出或不在范围内的Pin数，请咨询我们。



## ▶ 专为高速传输设计 ( 16+ Gbps V-by-One® US )

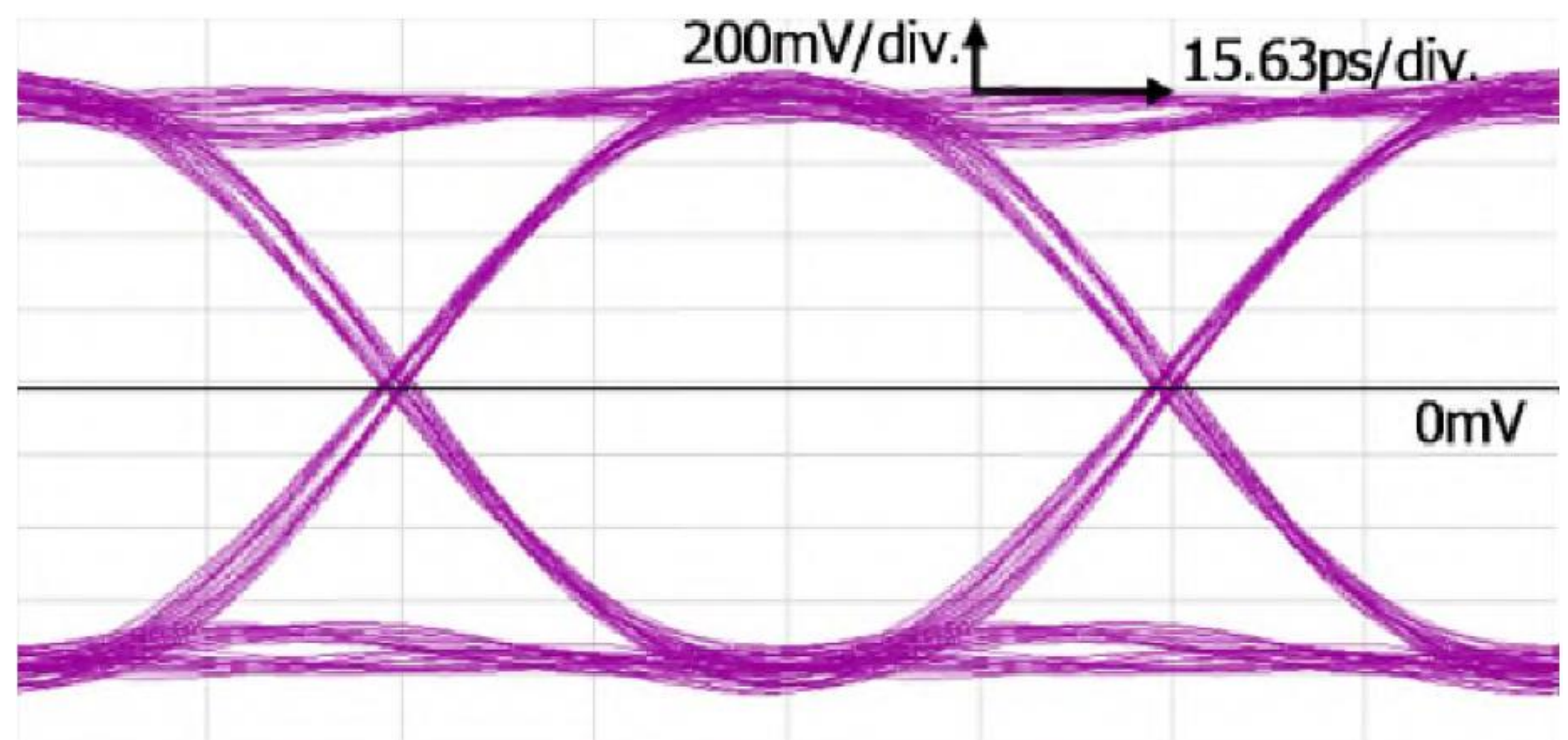
眼图(微分)

比特率: 16 Gbps

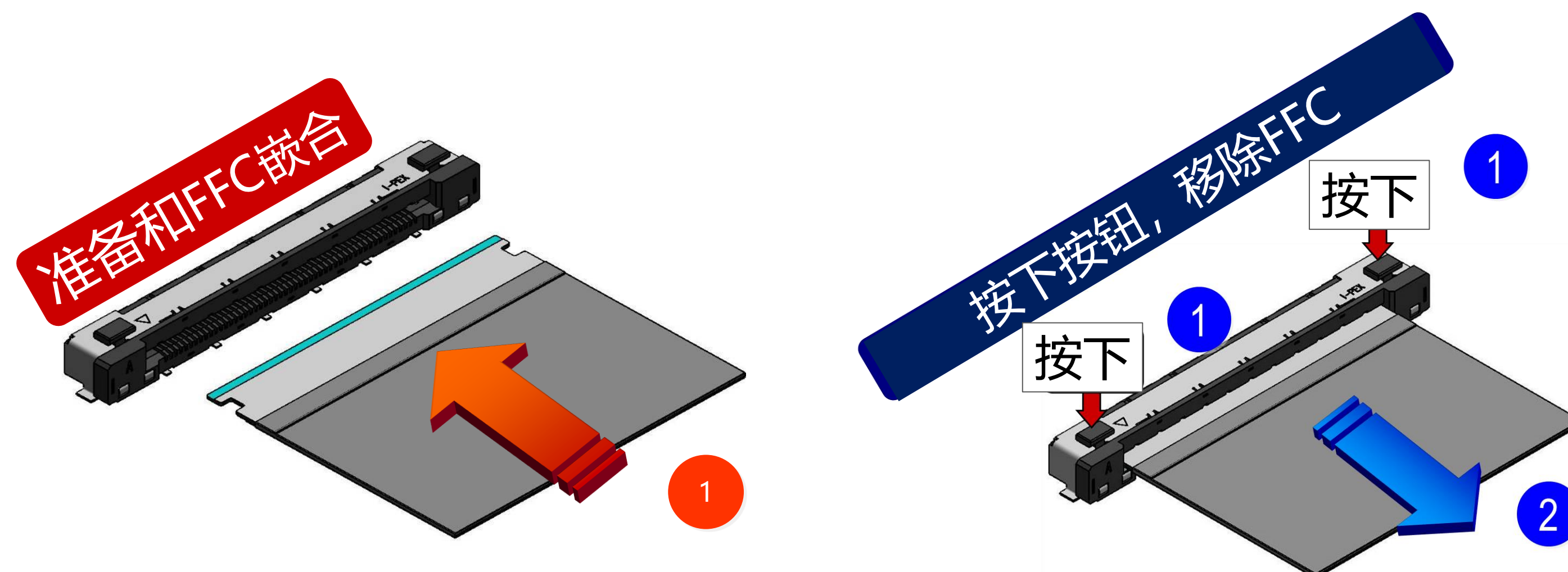
上升时间: 24 ps (10% - 90%)

输入电压: 800 mVp-p

\* 更多测试细节，请联系I-PEX。



## ▶ 自动锁扣的设计便于操作,适用于手动或机器人装配



插入，自锁一步完成，提高生产效率

## ▶ EVAFLEX® 系列: 更多选择的自动锁扣连接器

全 EMI 屏蔽和更小的尺寸

	EVAFLEX® 5-HD
高度(mm)	2.00 +/- 02
参考性能	USB 3.1 Gen2 (10+ Gbps)
产品特点	360度全屏蔽，多点接地设计EMI外泄



体积小，耐高温(105°C)

	EVAFLEX® 5-VS
高度(mm)	1.90 +/- 01
深度 (mm)	4.95
参考性能	PCIe Gen 3 (8+ Gbps)
工作温度	~ 105°C





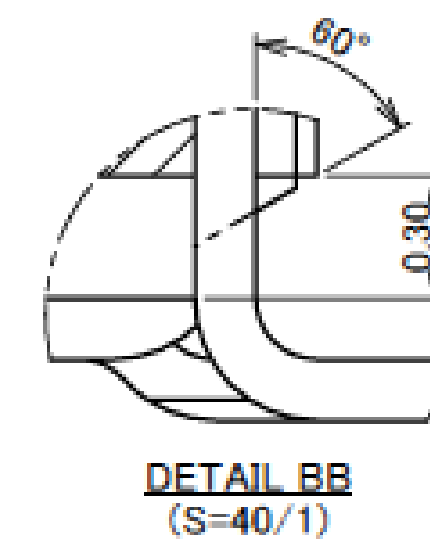
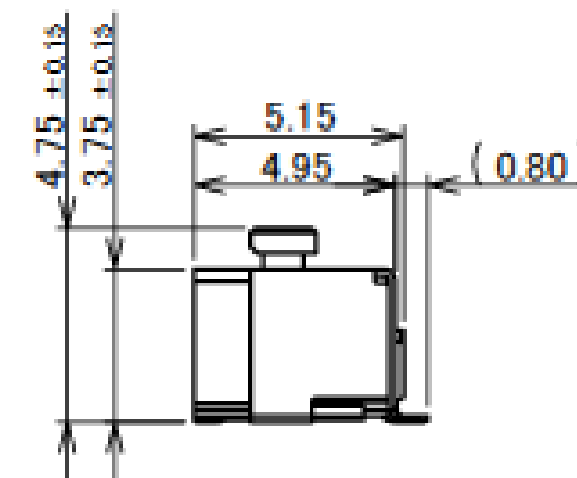
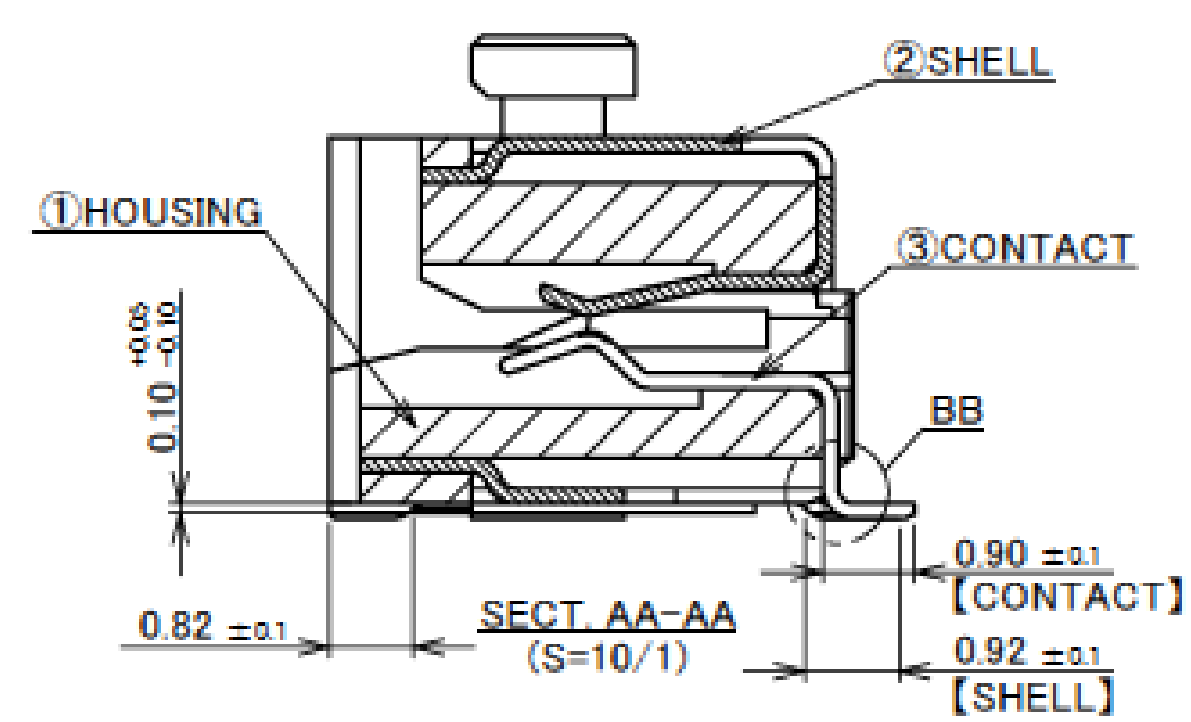
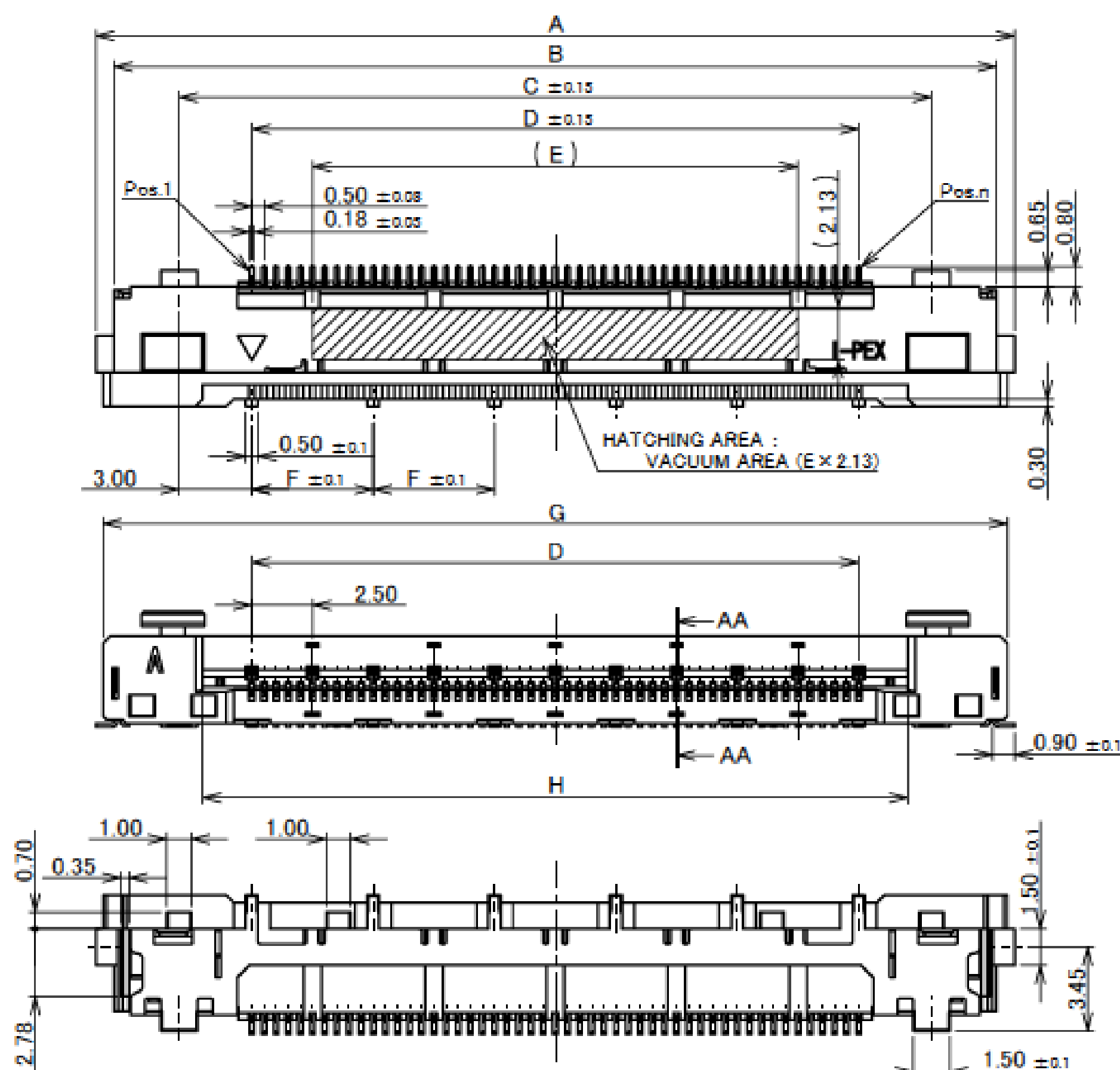
# Component Parts Details

## Connector Assembly

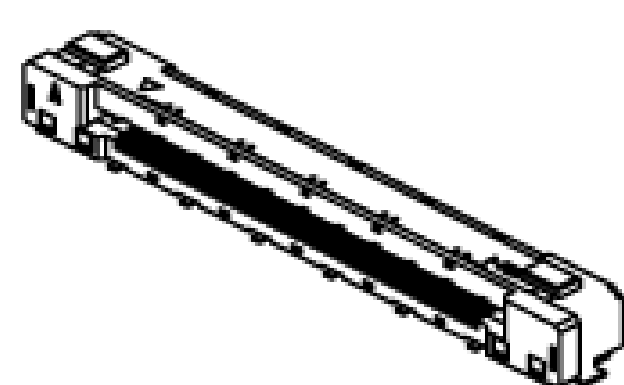
Recommended P/N		20818-0**E							
PART NO.	Pos.	A	B	C	D	E	F	G	H
20818-041E	41P	32.85	31.35	26.00	20.00	15.00	4.00	32.25	24.06
20818-051E	51P	37.85	36.35	31.00	25.00	20.00	5.00	37.25	29.06



Halogen Free RoHS Compliant

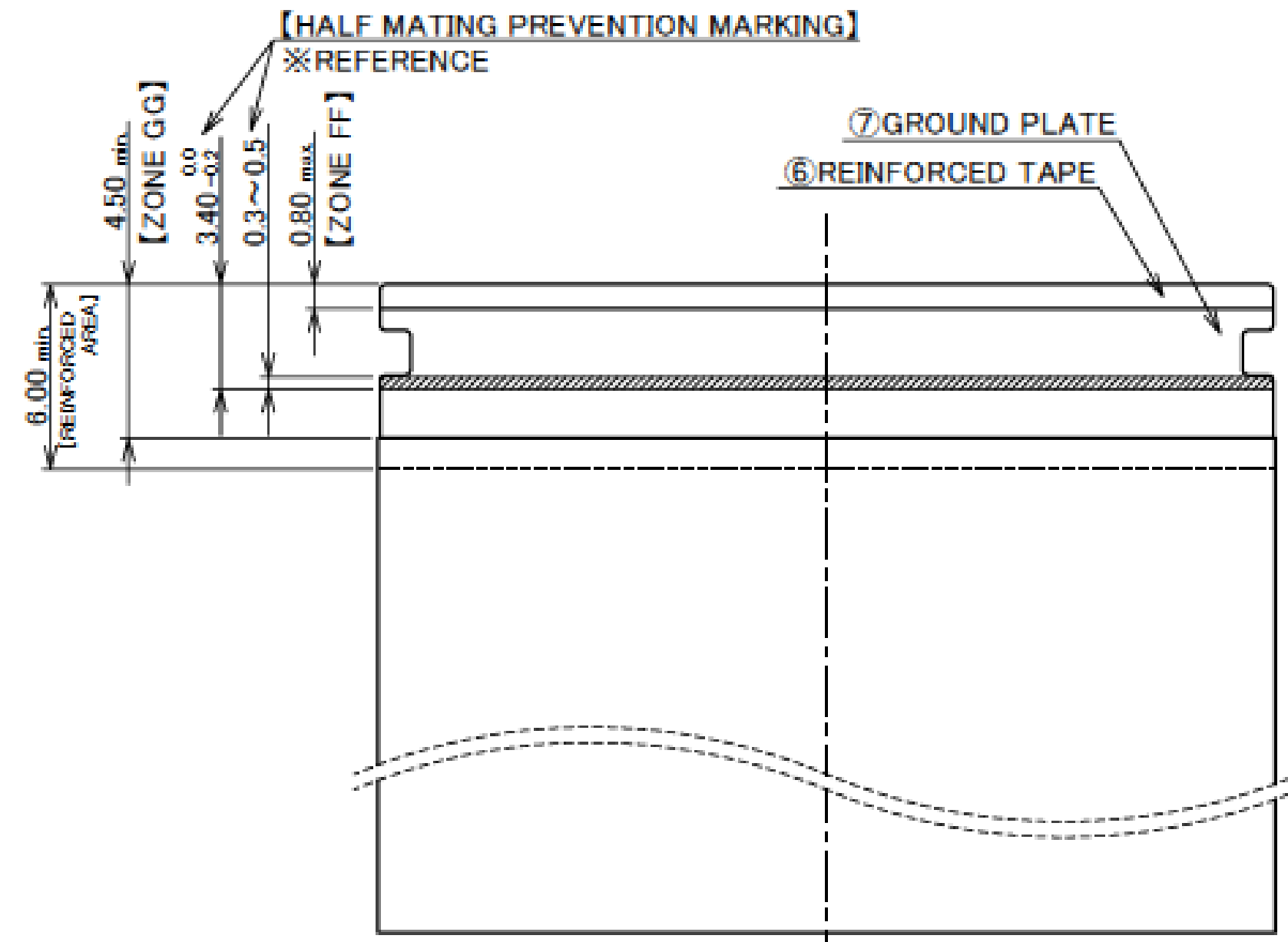
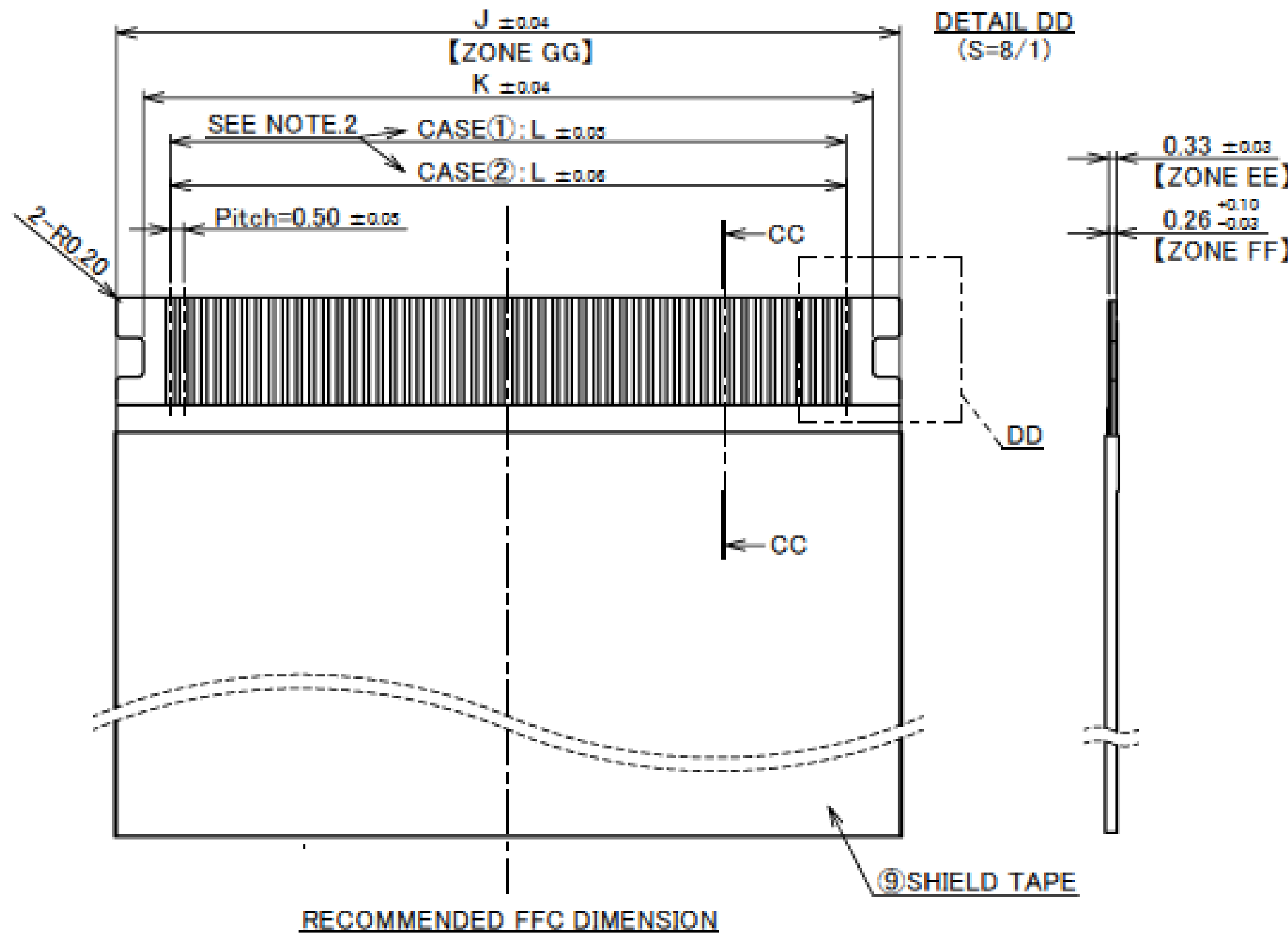
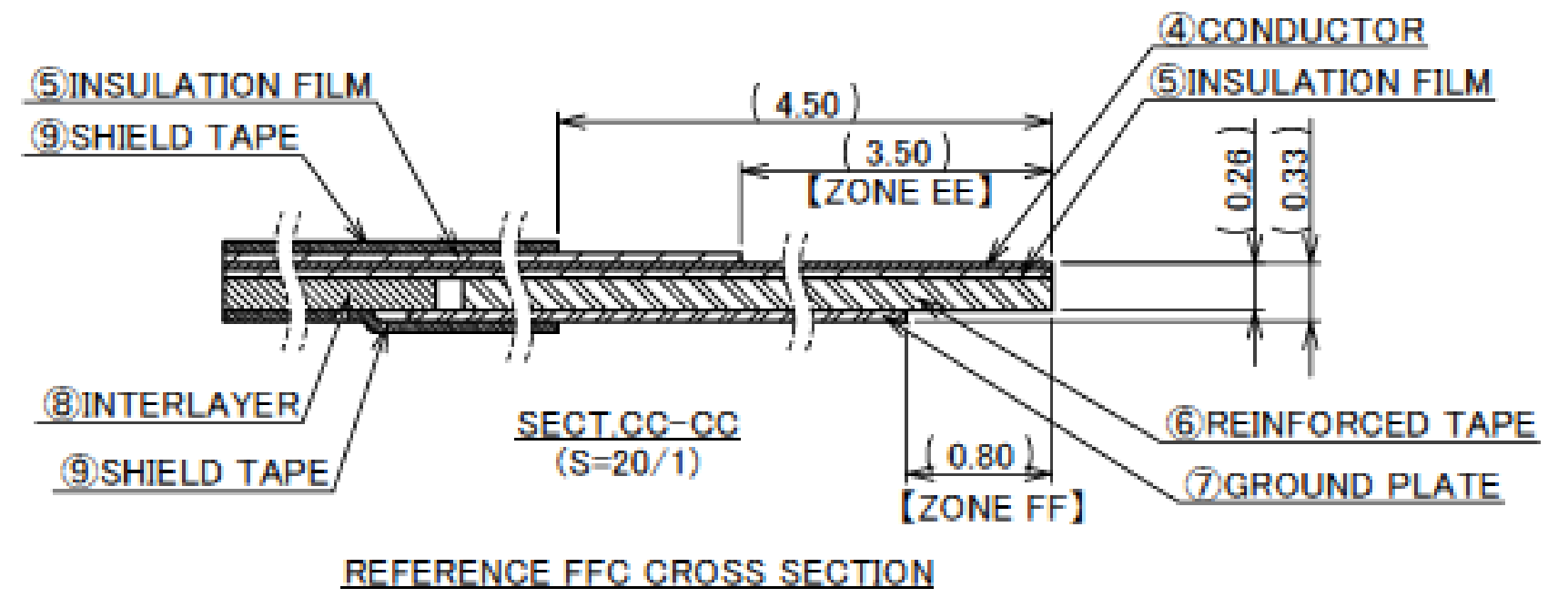
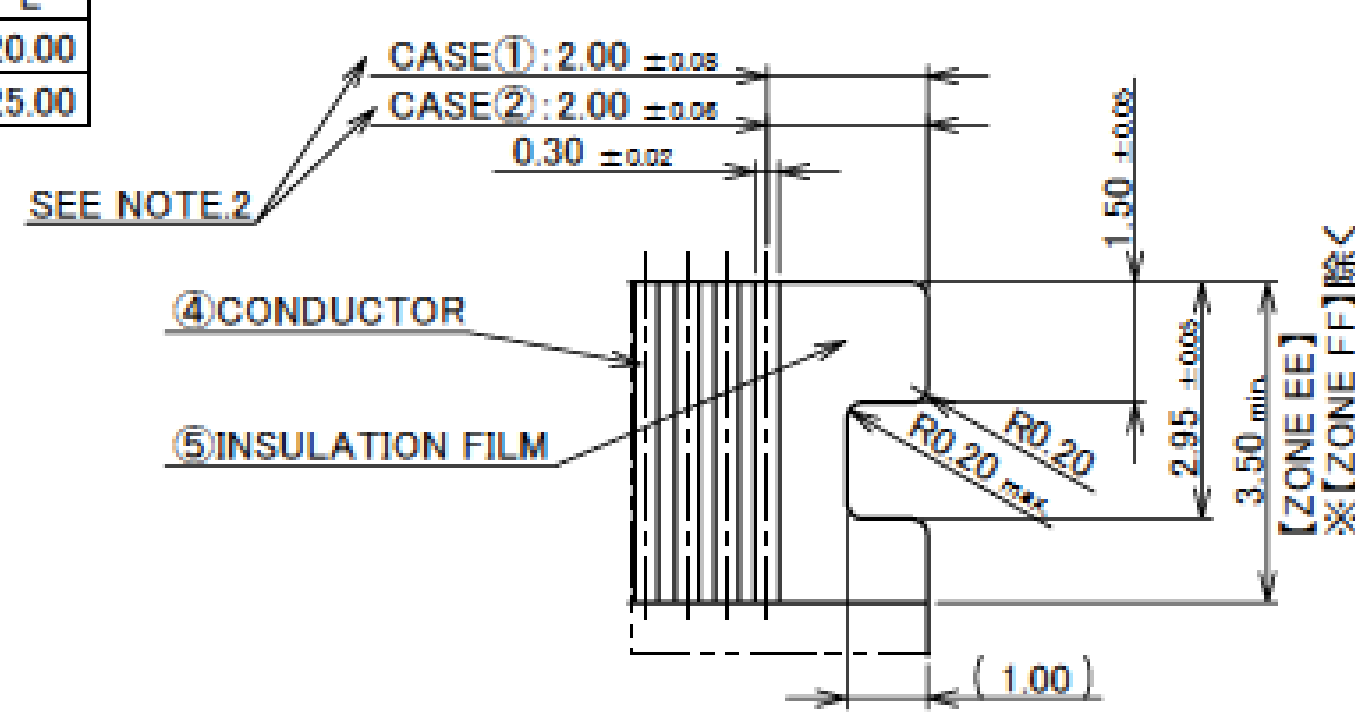


3	CONTACT	PHOSPHOR BRONZE	Au 0.03 μmMIN. OVER Ni 1.00 μmMIN.
2	SHELL	PHOSPHOR BRONZE	Sn 1.00 μmMIN. OVER Ni 1.00 μmMIN.
1	HOUSING	LCP	UL94V-0, BLACK
NO.	DISCRIPTION	MATERIAL	FINISH , REMARKS



# Connector Assembly

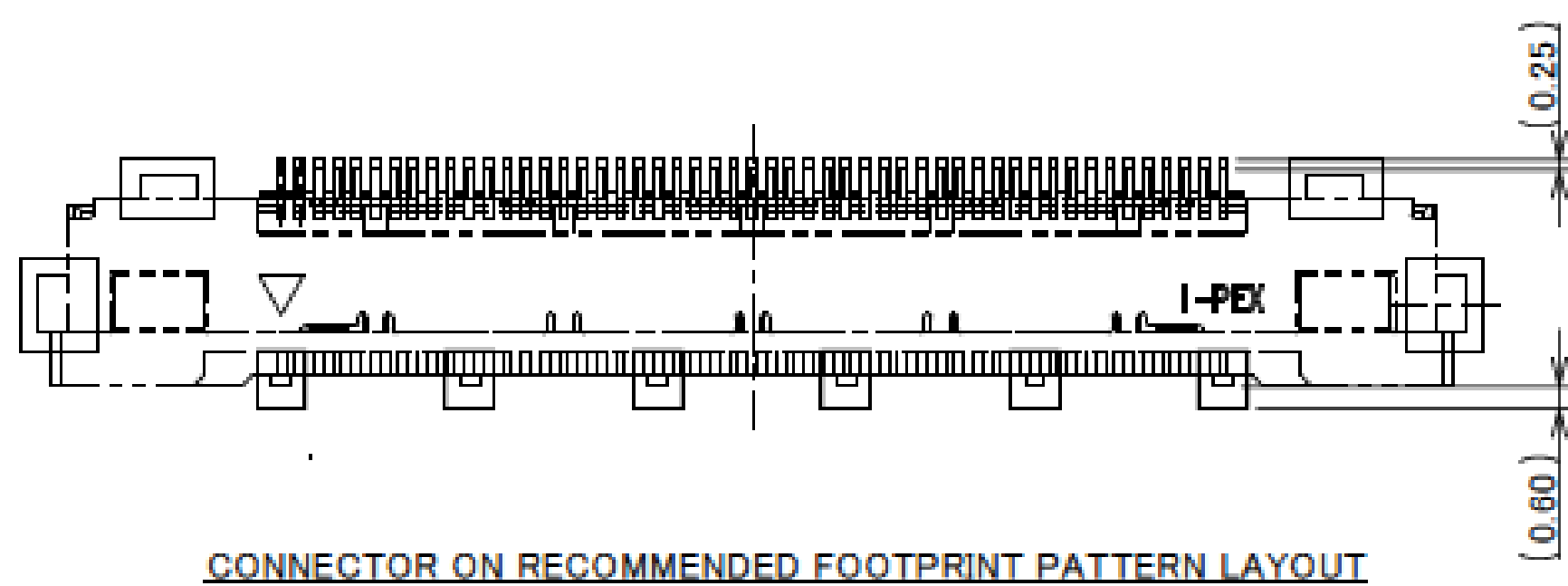
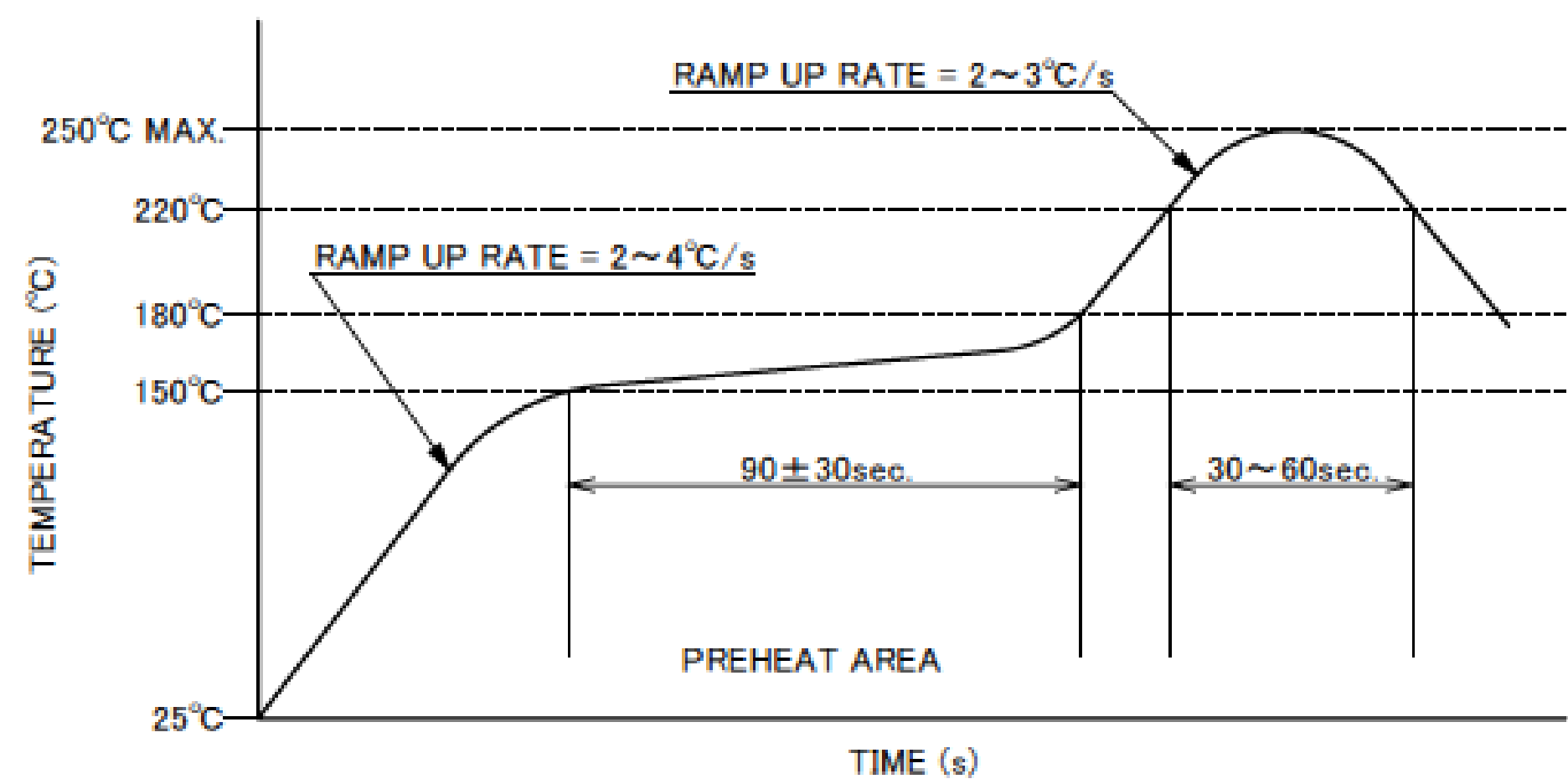
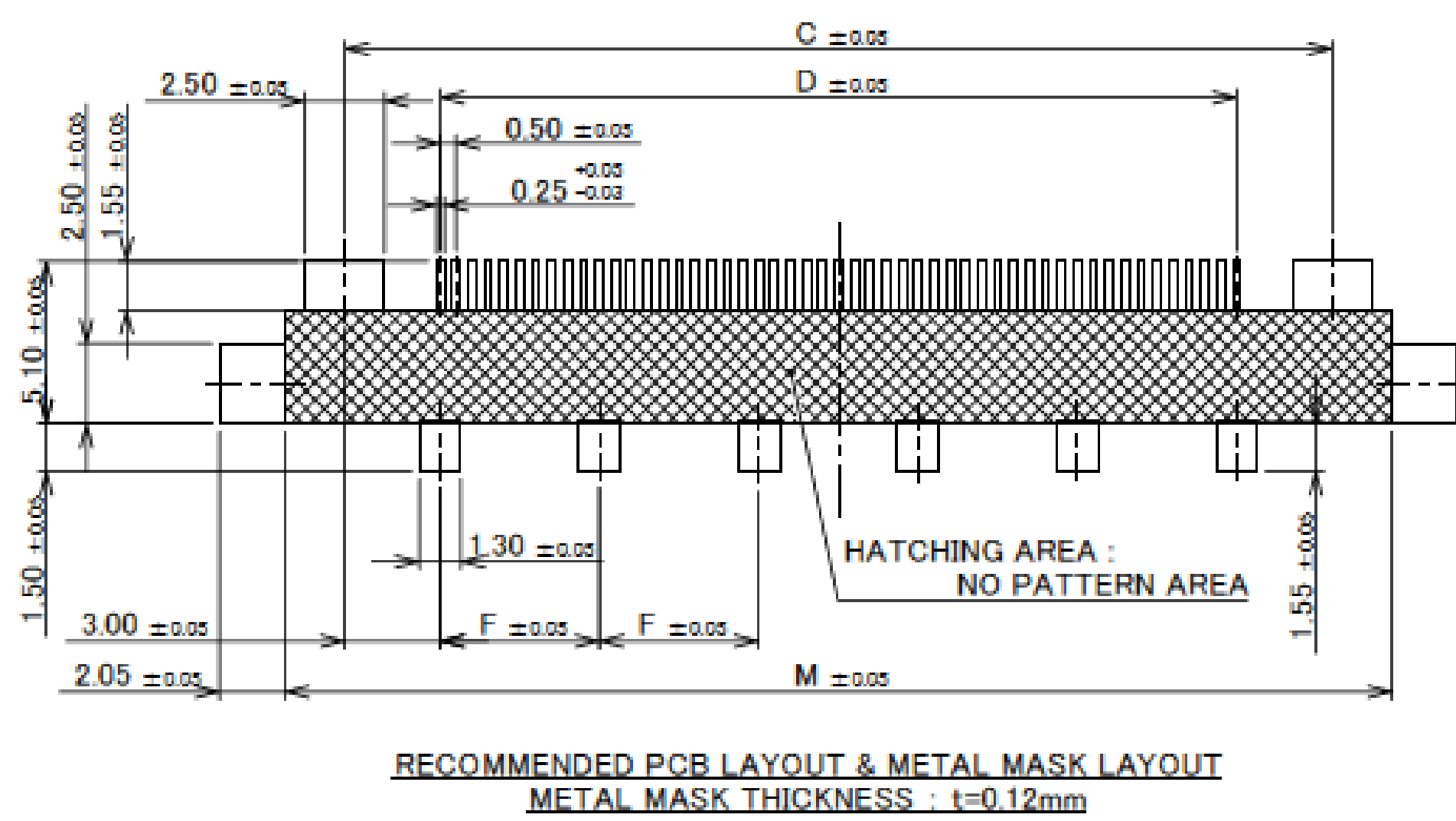
PART NO.	Pos.	J	K	L
20818-041E	41P	24.00	22.00	20.00
20818-051E	51P	29.00	27.00	25.00



- NOTES
1. DIFFERENTIAL IMPEDANCE :  $100 \pm 10 \Omega$
  2. MANUFACTURE CASE① or CASE②
  3. SELECT A MATERIAL WITH A SOFTENING TEMPERATURE OF 85°C OR HIGHER FOR THE PATTERN ADHESIVE PART OF FFC.

9	SHIELD TAPE	METALIC FILM	
8	INTERLAYER	ARBITRARY	
7	GROUND PLATE	METALIC FILM	POLISH or HALF POLISH Sn PLATING
6	REINFORCED TAPE	ARBITRARY	
5	INSULATION FILM	ARBITRARY	
4	CONDUCTOR	COPPER ALLOY	CONTACT AREA: Au 0.05 $\mu$ m MIN. OVER Ni 0.5 $\mu$ m MIN.
NO.	DISCRIPTION	MATERIAL	FINISH , REMARKS

PART NO.	Pos.	C	D	F	M
20818-041E	41P	26.00	20.00	4.00	29.75
20818-051E	51P	31.00	25.00	5.00	34.75



- NOTES
4. THIS AREA CANNOT MOUNT ANOTHER COMPONENTS.
  5. SOLDER RESIST SHALL BE APPLIED TO PREVENT SHORT CIRCUITS WHEN PLACING SIGNAL LINES ON GROUND AREA.

Rev.1

Rev.1

## Connector Assembly

ITEMS	SPECIFICATION
RATING VOLTAGE	200V AC/DC (PER CONTACT PIN)
RATING AMPERAGE	0.3A AC/DC (PER CONTACT PIN)
OPERATING TEMPERATURE	233~358K(-40°C~+85°C)
OPERATING HUMIDITY	85% MAX.(NON-CONDENSING)
CONTACT RESISTANCE	INITIAL : 60mohm MAX. / AFTER TEST : $\triangle$ 40mohm MAX.
INSULATION RESISTANCE	100Mohm MIN.
DIELECTRIC WITHSTANDING VOLTAGE	AC250V 1min
DURABILITY	30 CYCLES
MATING FORCE (INITIAL / 30 CYCLES)	41P : 29.2N MAX. / 51P : 30.0N MAX.
UNMATING FORCE (INITIAL / 30 CYCLES)	41P : 4.25N MIN. / 51P : 5.00N MIN.
FFC RETENTION FORCE	41P : 22N MIN./ 51P : 25N MIN.
COPLANARITY	0.10mm MAX.
PRODUCT SPECIFICATION	PRS-2671
TEST REPORT	TR-20035
PACKING STANDARD	300-980
INSTRUCTION MANUAL	HIM-12001
APPEARANCE CRITERIA No.	QLS-A***

Rev.1




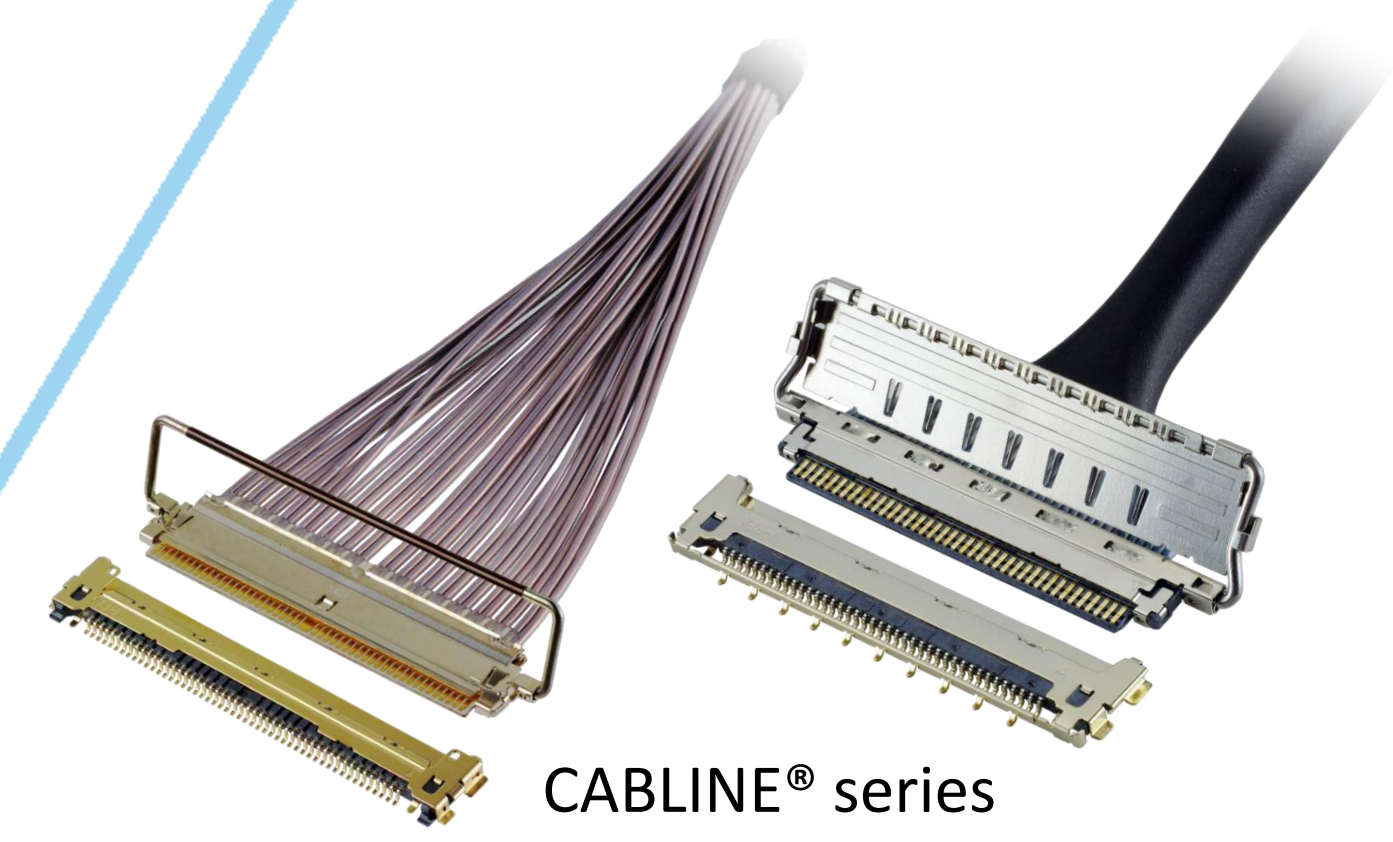
# Custom Connectors Available

 RF Connector

MHF® series



 CABLINE® series  
Micro-coaxial/Twinax/  
Discrete Wire Connector



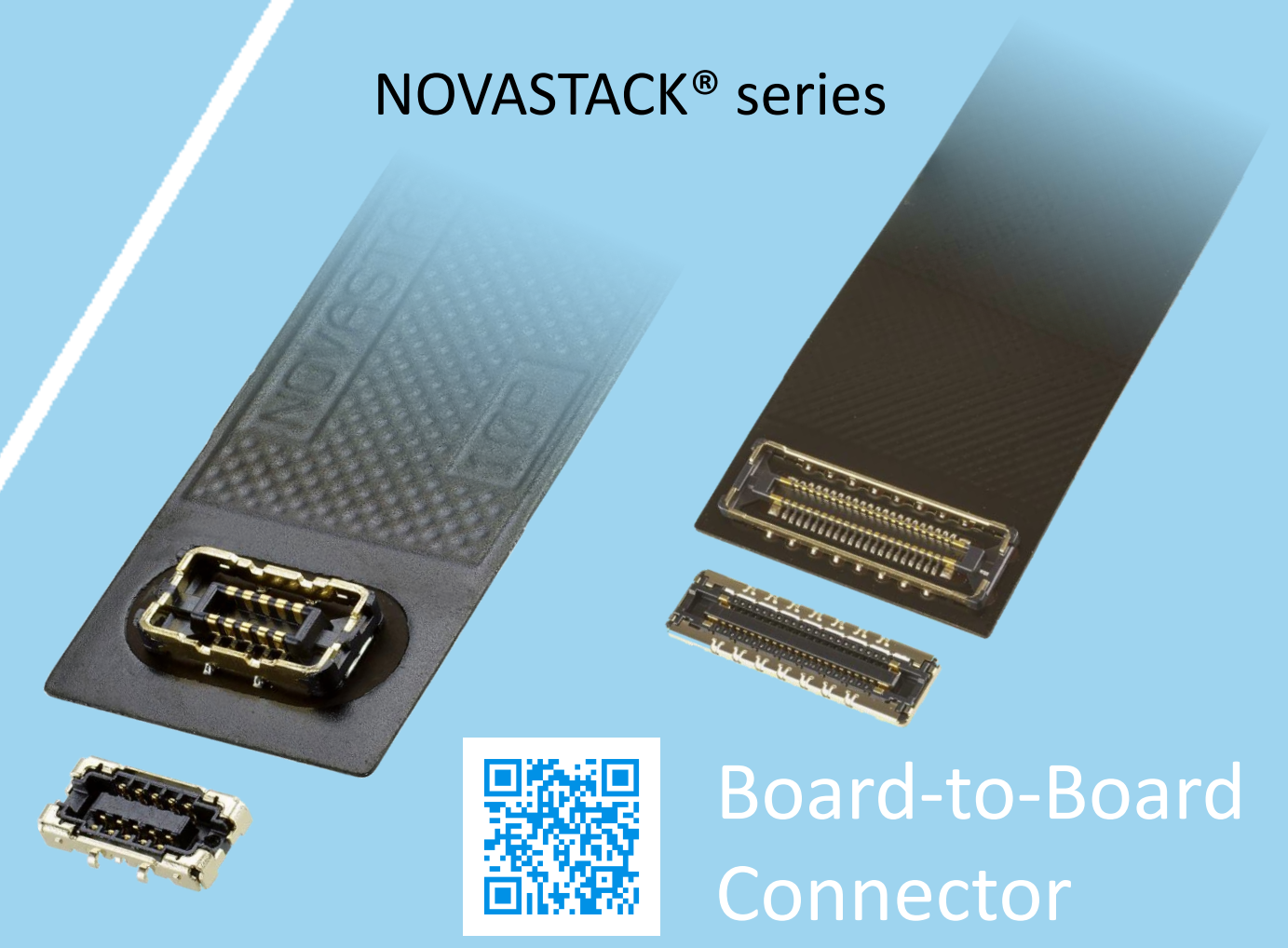
 Optical Module

LIGHTPASS® series



NOVASTACK® series

 Board-to-Board Connector



 Power Connector/  
Terminal

AP series

ISH® series



MINIFLEX® series

EVAFLEX® series

 FPC FFC  
Connector

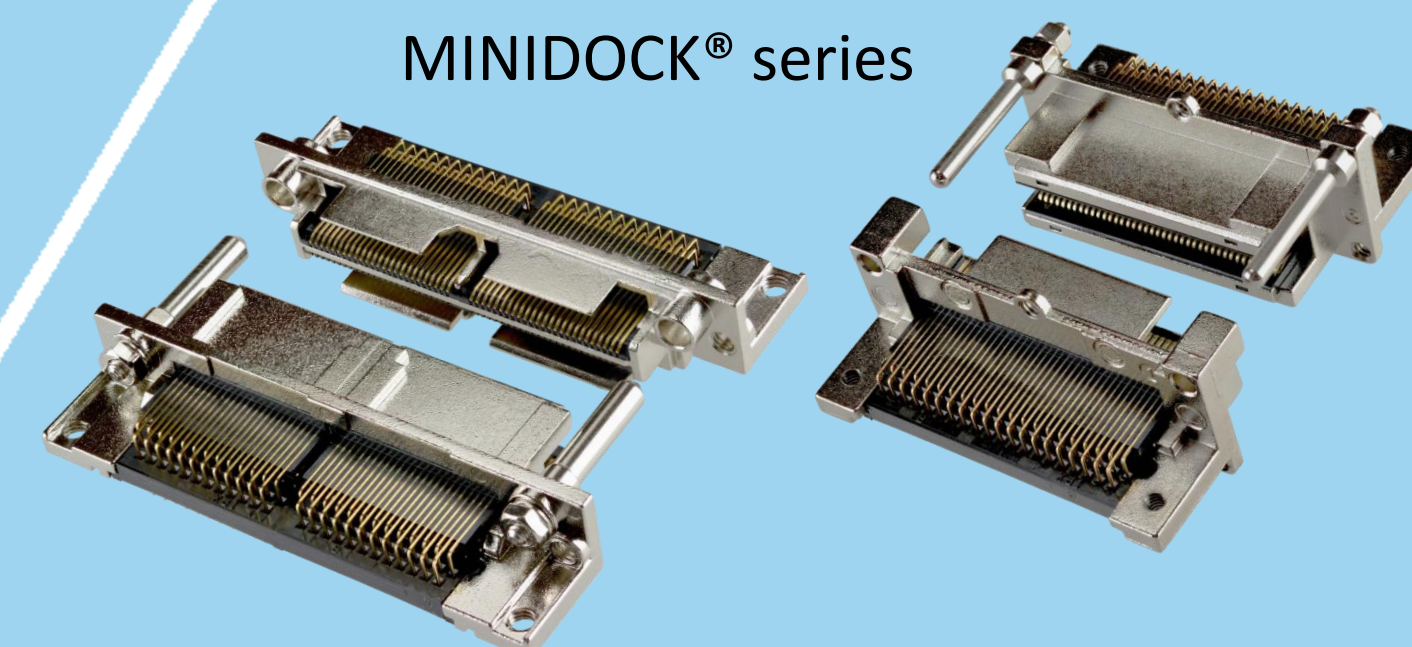


Inquiry



MINIDOCK® series

 I/O  
Connector



I-PEX, MHF, CABLINE, LIGHTPASS, NOVASTACK, ISH, IARPB, MINIFLEX, EVAFLEX, MINIDOCKS and ZenShield are registered trademarks of I-PEX Inc. Please note that the contents in the catalog might be changed without prior notification. I-PEX Inc. assumes no responsibility for any inaccuracies or obligation to update information on these documents. Please be sure to read and understand the latest "Precautions for Use" and "Instruction Manual" before you use our products. We shall not be responsible for any defects, damages or troubles in case you use our products without following the precautions for use. Please feel free to contact our sales representatives when you use our products for any applications that require very high reliability and safety, or that relate to human life (ex. nuclear power control, aerospace, transportation, medical equipment, safety equipment etc.).

Contact your sales representative  
or more detailed information.

[www.i-pex.com](http://www.i-pex.com)



# I-PEX

© I-PEX Inc. 2024  
All rights reserved