

EVAFLEX[®] 5

オートロック、高速伝送対応、水平嵌合、0.5 mmピッチ、TVパネル業界標準
フットプリント互換シールド付きコネクタ

Product Specifications:

Board Pitch (mm)	0.5	
Wiping Length (mm)	1.75	
Size (mm)	Height	4.75 +/- 0.15
	Width	Formula: 12.35 + (0.5 * ?p)
	Depth	5.95 +/- 0.20
Pin counts	Range	21 - 51
	Available	41, 51

Applicable FPC/FFC:

FPC/FFC Type	Shielded FFC
FPC/FFC Contact Point	Lower
FPC/FFC Thickness (mm)	0.33 +/- 0.03

Applicable Standards (Reference Only):

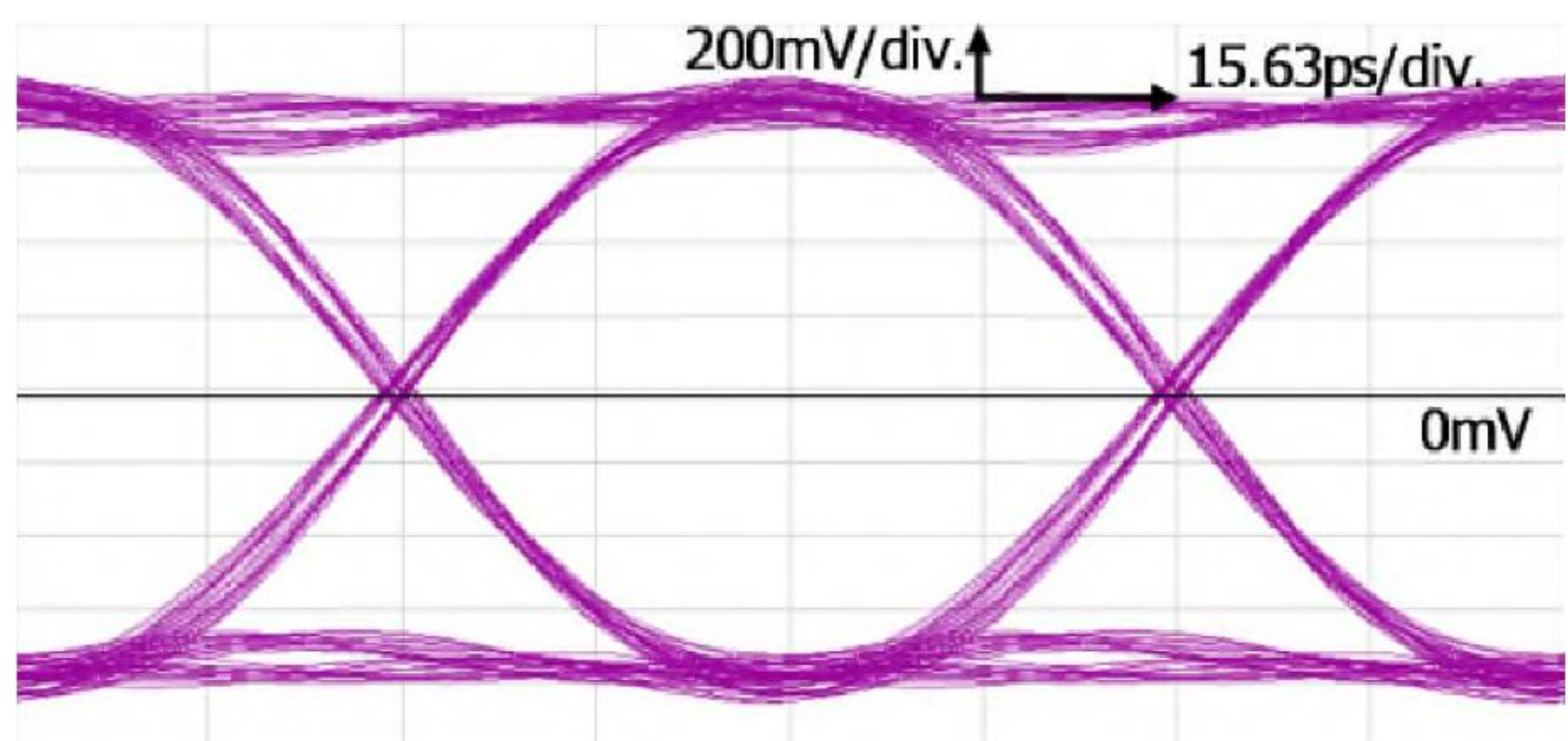
eDP HBR2 (5.4 Gbps) V-By-One US (16 Gbps)

*記載のない極数の対応状況についてはお問い合わせください。



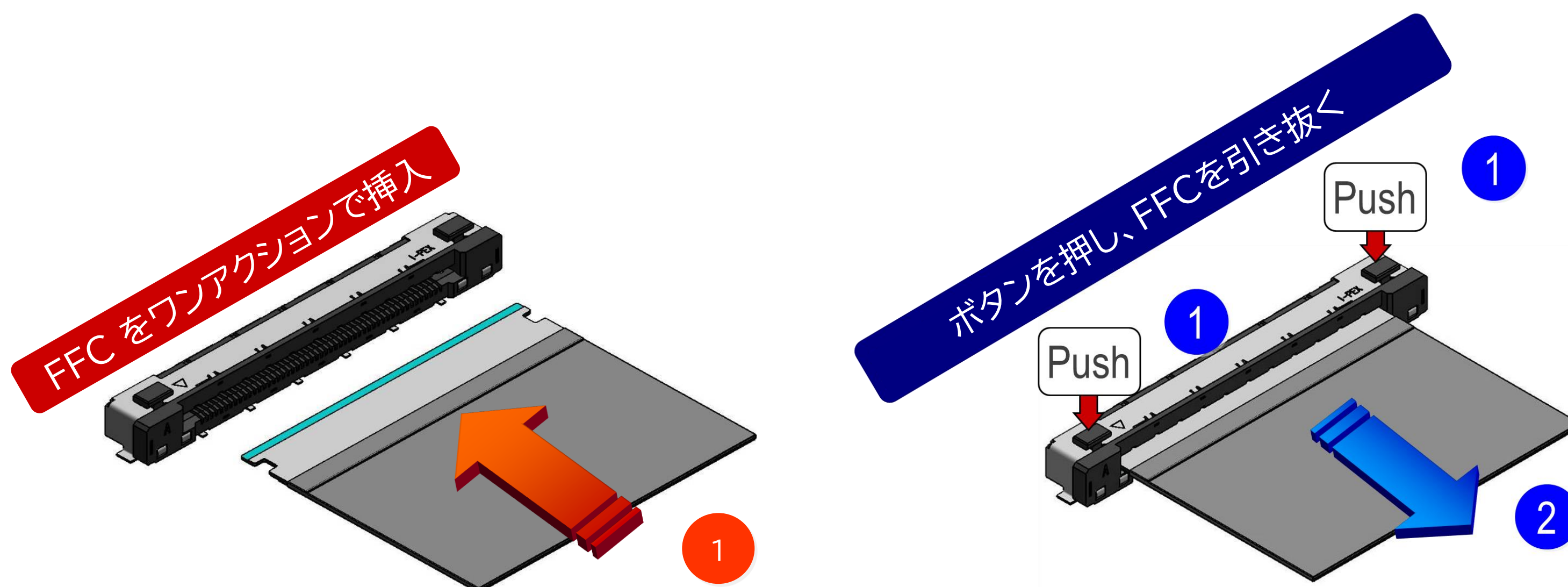
▶ 高速伝送設計(16+ Gbps V-By-One[®] US)

Eye pattern (Differential)
Bit rate : 16 Gbps
Rise time : 24 ps (10% - 90%)
Input Voltage : 800 mVp-p



*試験データの詳細はI-PEX Connectorsにお問い合わせください

▶ 作業性に優れたオートロックデザイン。手作業やロボットでの組立作業に最適



オートロック機能とワンアクション嵌合で生産力の向上

▶ 拡張性の高いEVAFLEX[®]シリーズでオートロックを始め様々なオプションに対応

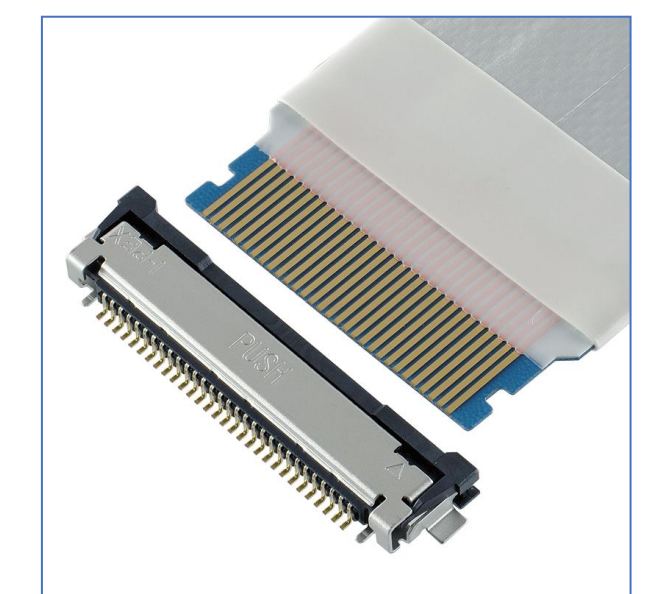
小型 & EMIシールド対応

	EVAFLEX [®] 5-HD
Height (mm)	2.00 +/- 0.02
Reference Performance	USB 3.1 Gen2 (10+ Gbps)
Special Feature	360-degree fully-shielded with multi-point grounds to prevent EMI leakage



小型 & 高温 (105°C) 対応

	EVAFLEX [®] 5-VS
Height (mm)	1.90 +/- 0.01
Depth (mm)	4.95
Reference Performance	PCIe Gen 3 (8+ Gbps)
Operation Temperature	up to 105°C



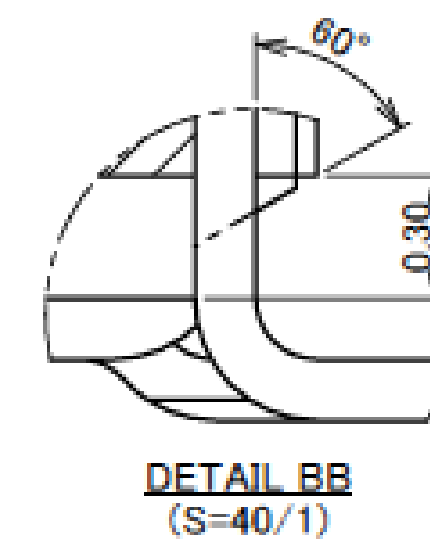
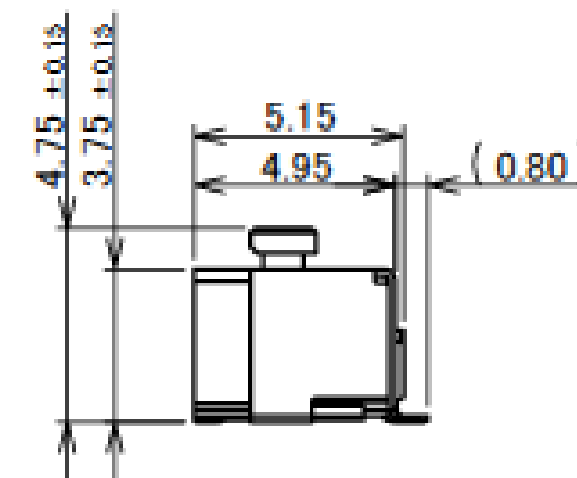
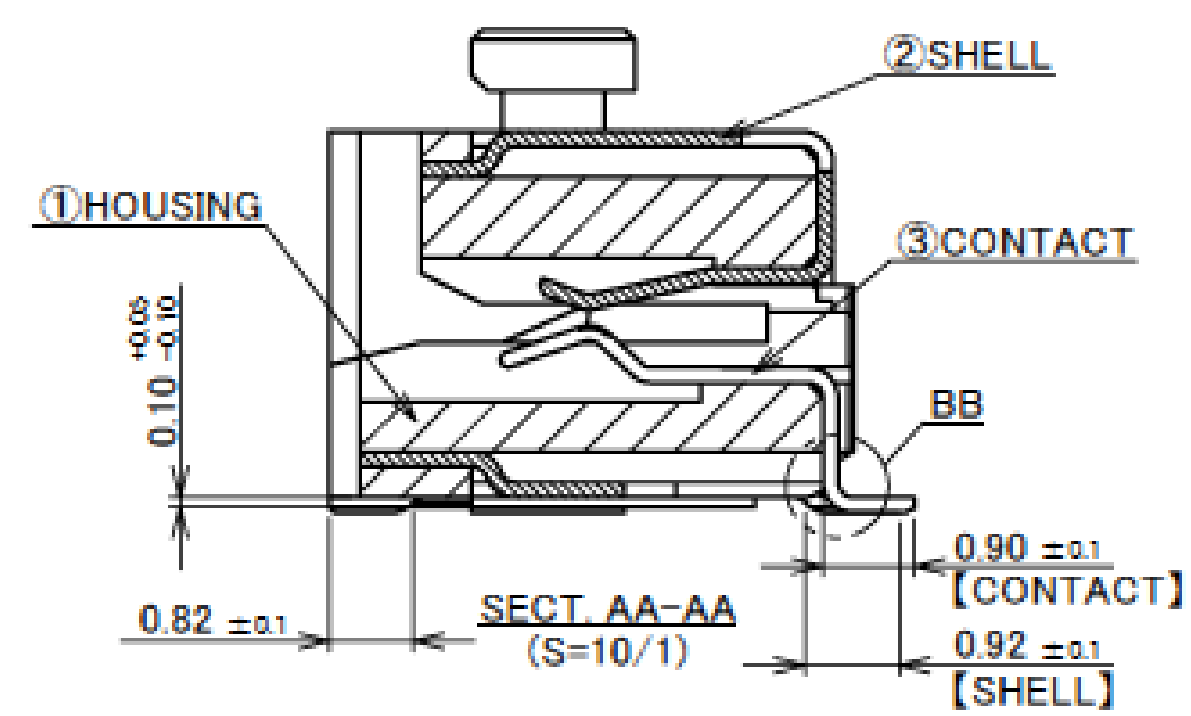
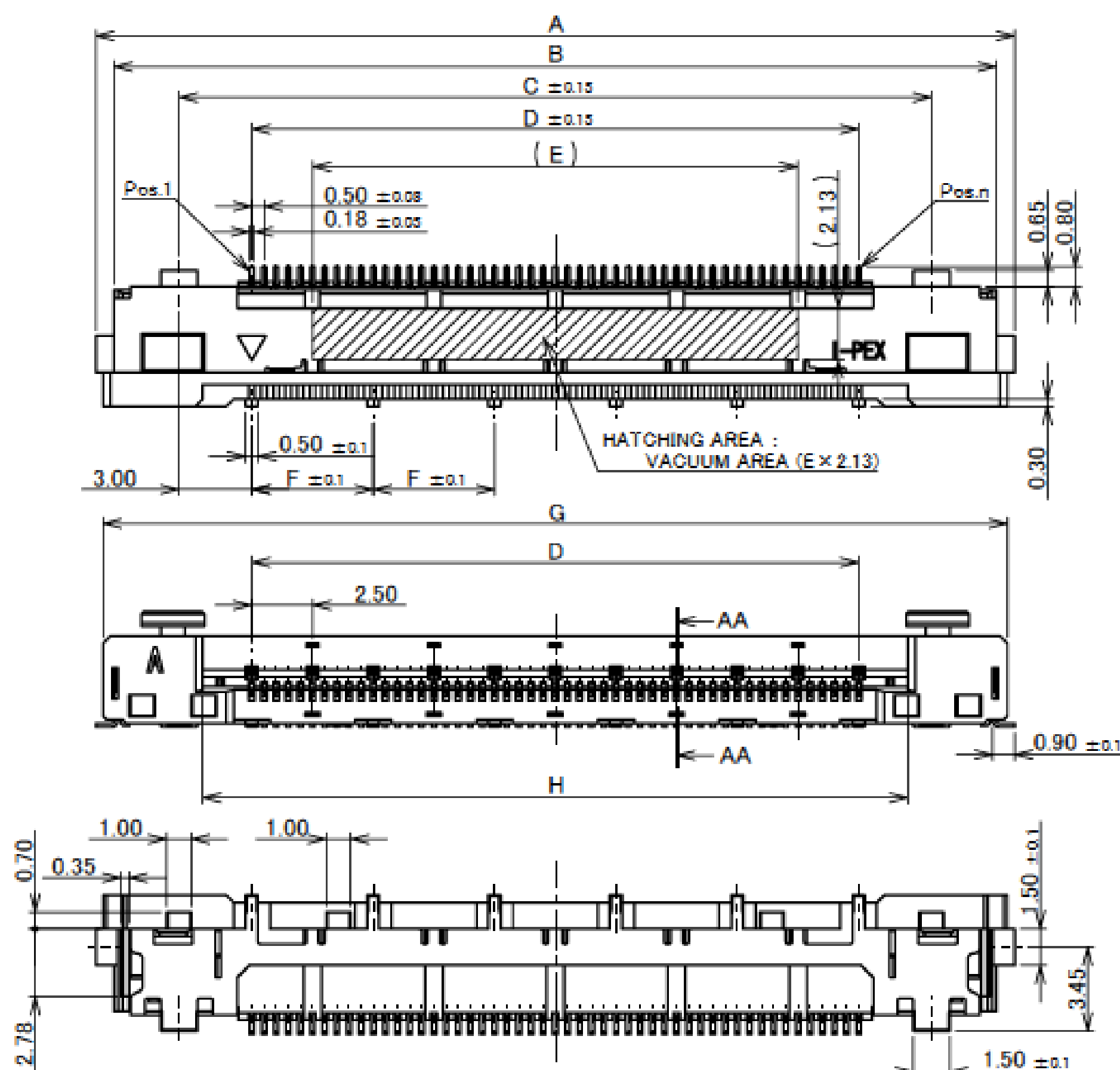
Component Parts Details

Connector Assembly

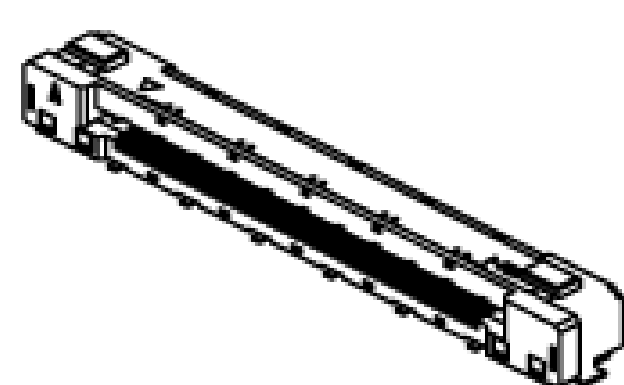
Recommended P/N		20818-0**E							
PART NO.	Pos.	A	B	C	D	E	F	G	H
20818-041E	41P	32.85	31.35	26.00	20.00	15.00	4.00	32.25	24.06
20818-051E	51P	37.85	36.35	31.00	25.00	20.00	5.00	37.25	29.06



Halogen Free RoHS Compliant

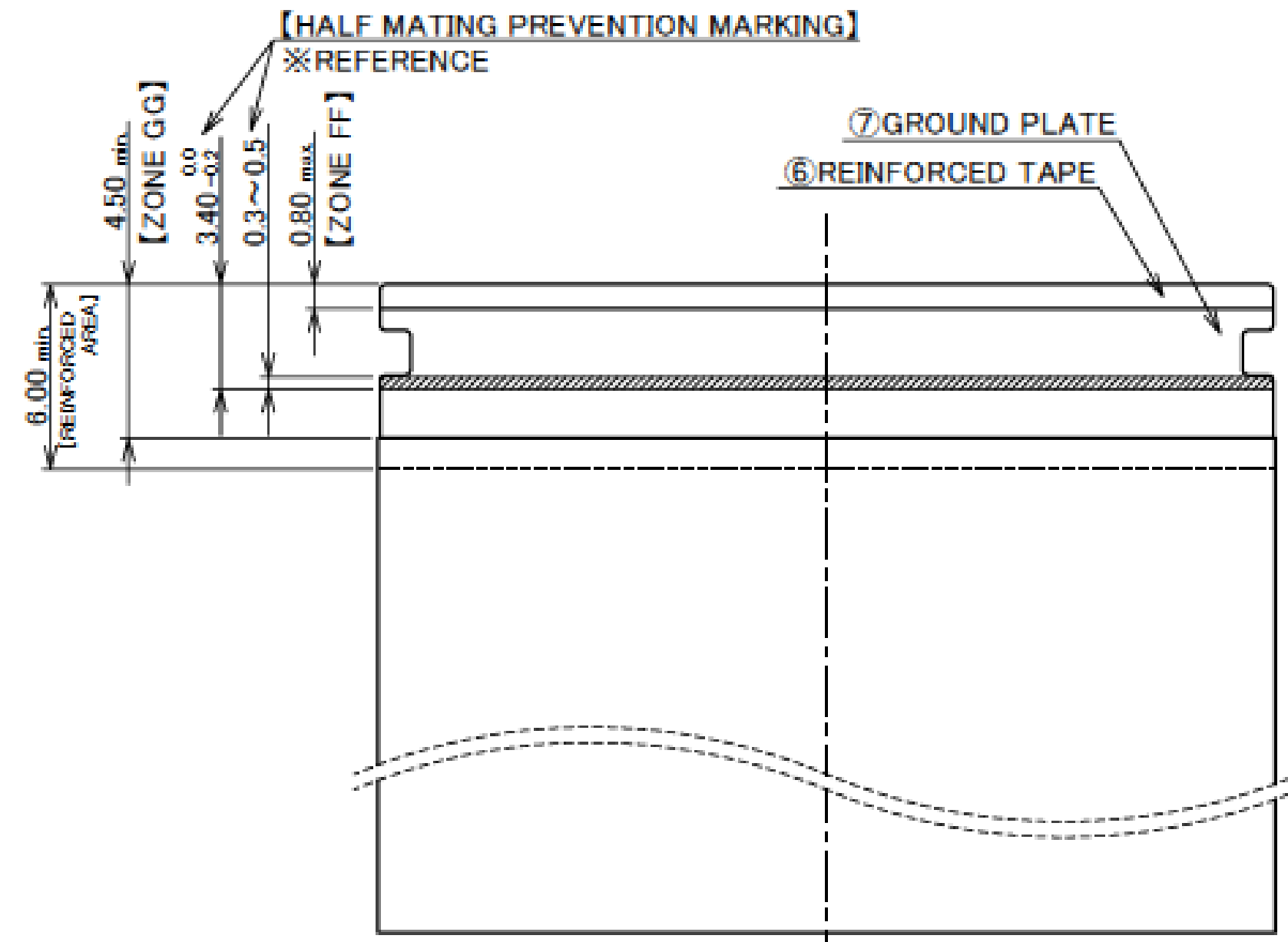
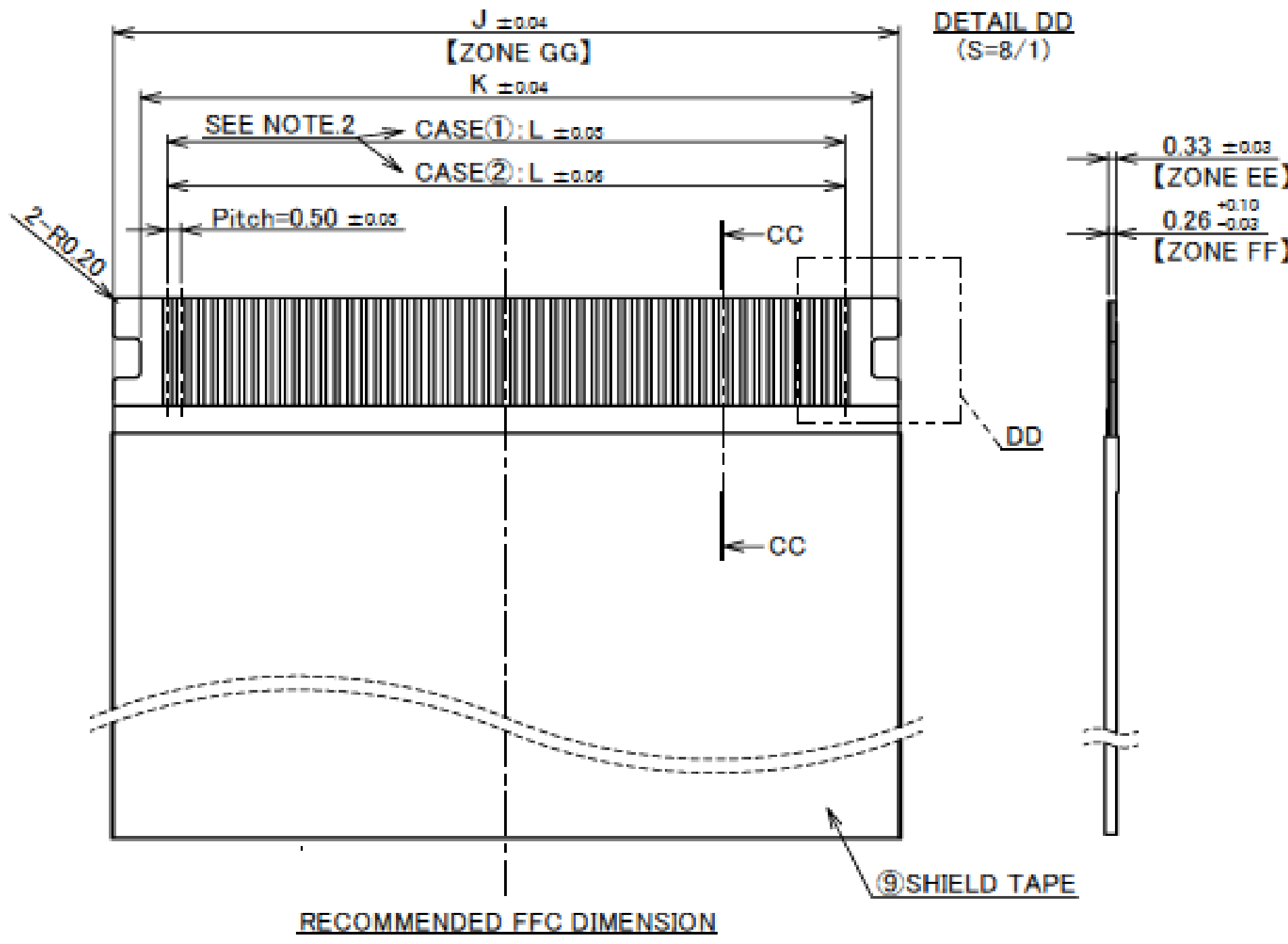
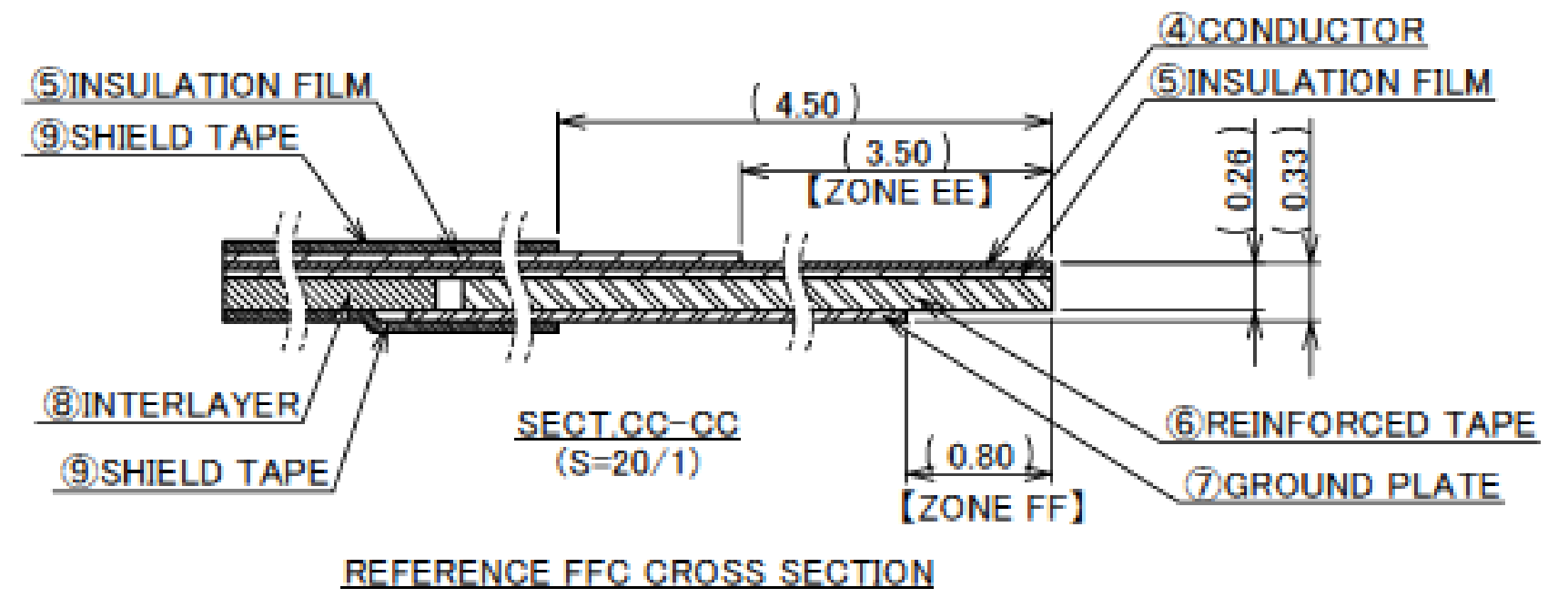
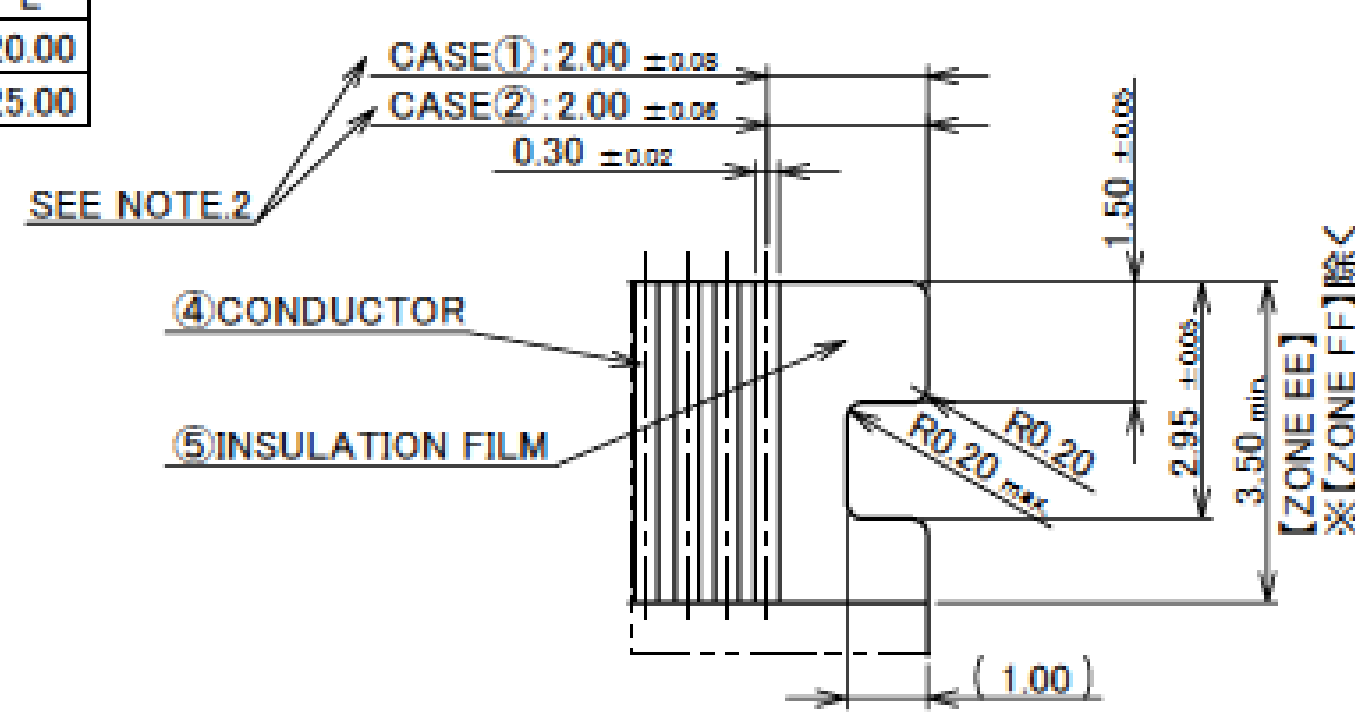


NO.	DISCRIPTION	MATERIAL	FINISH , REMARKS
3	CONTACT	PHOSPHOR BRONZE	Au 0.03 μ mMIN. OVER Ni 1.00 μ mMIN.
2	SHELL	PHOSPHOR BRONZE	Sn 1.00 μ mMIN. OVER Ni 1.00 μ mMIN.
1	HOUSING	LCP	UL94V-0, BLACK



Connector Assembly

PART NO.	Pos.	J	K	L
20818-041E	41P	24.00	22.00	20.00
20818-051E	51P	29.00	27.00	25.00

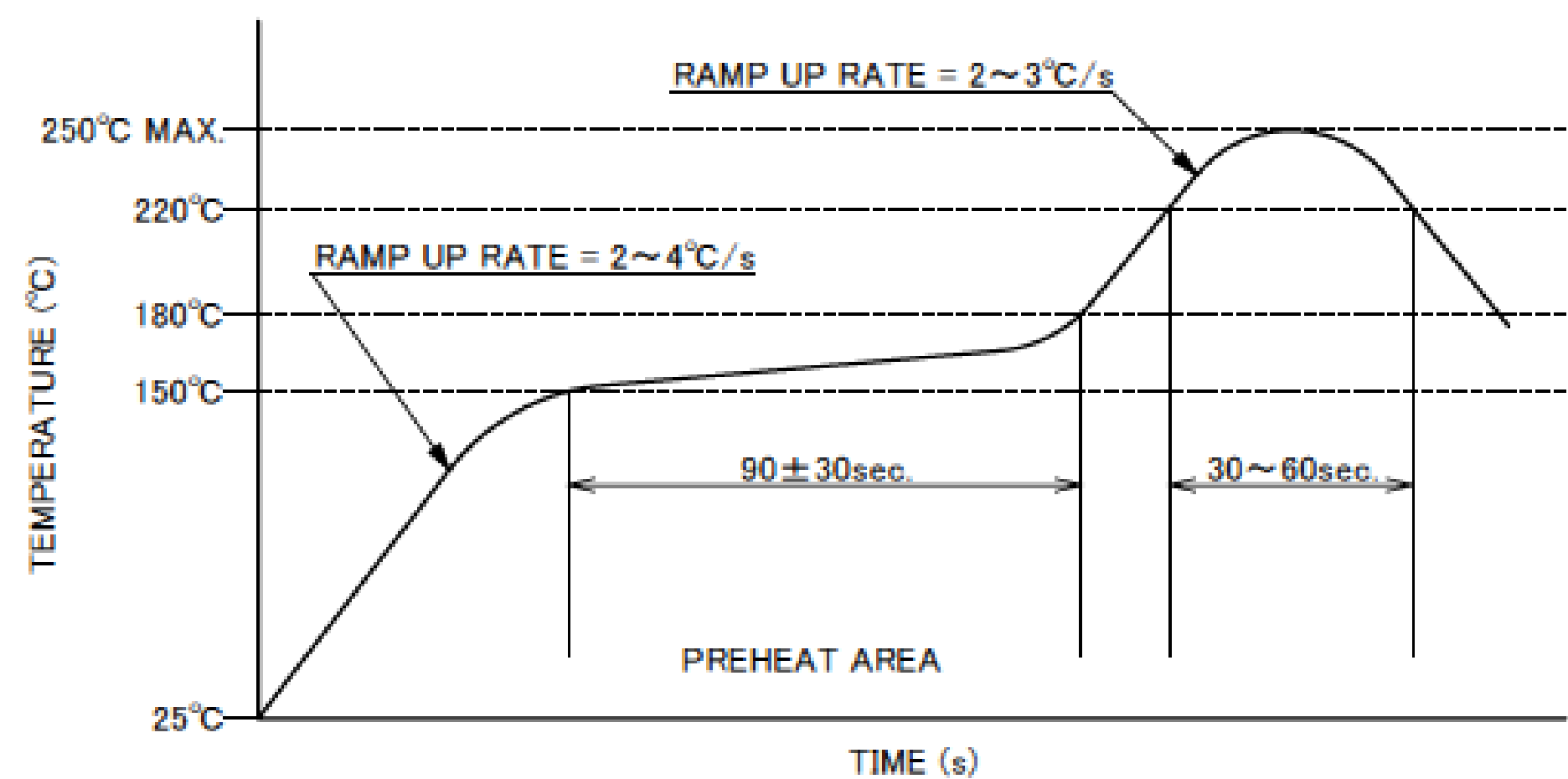
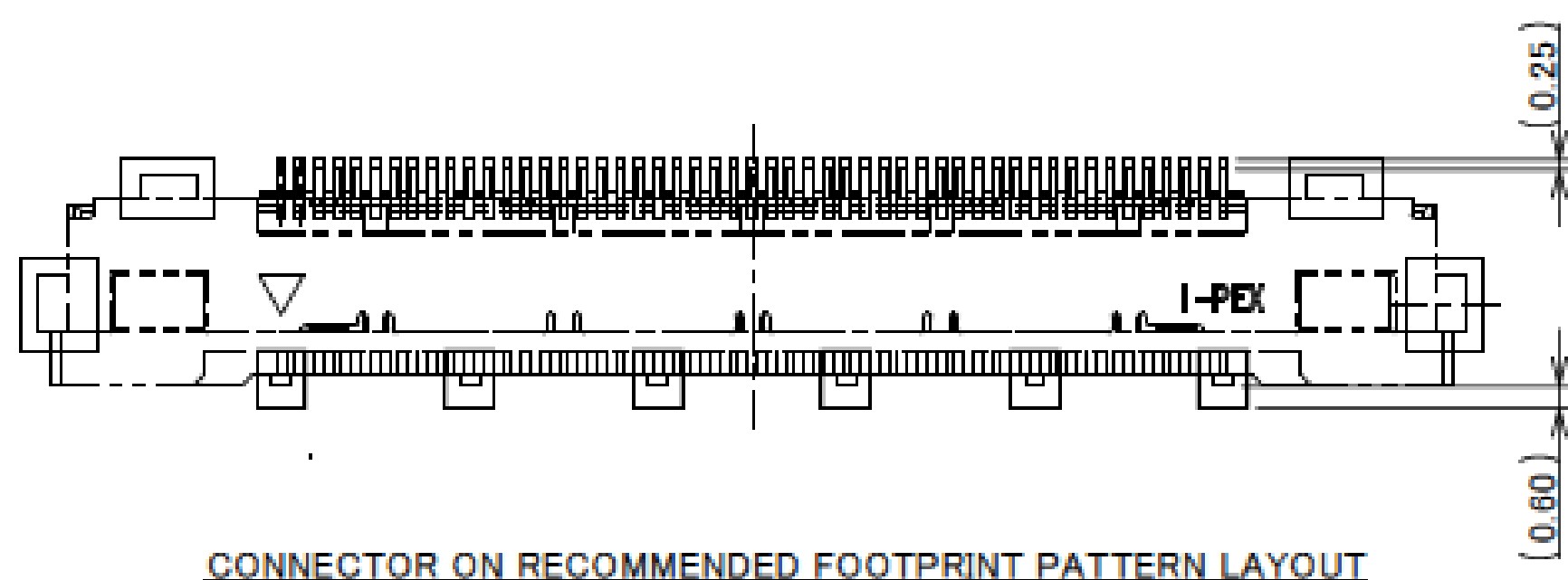
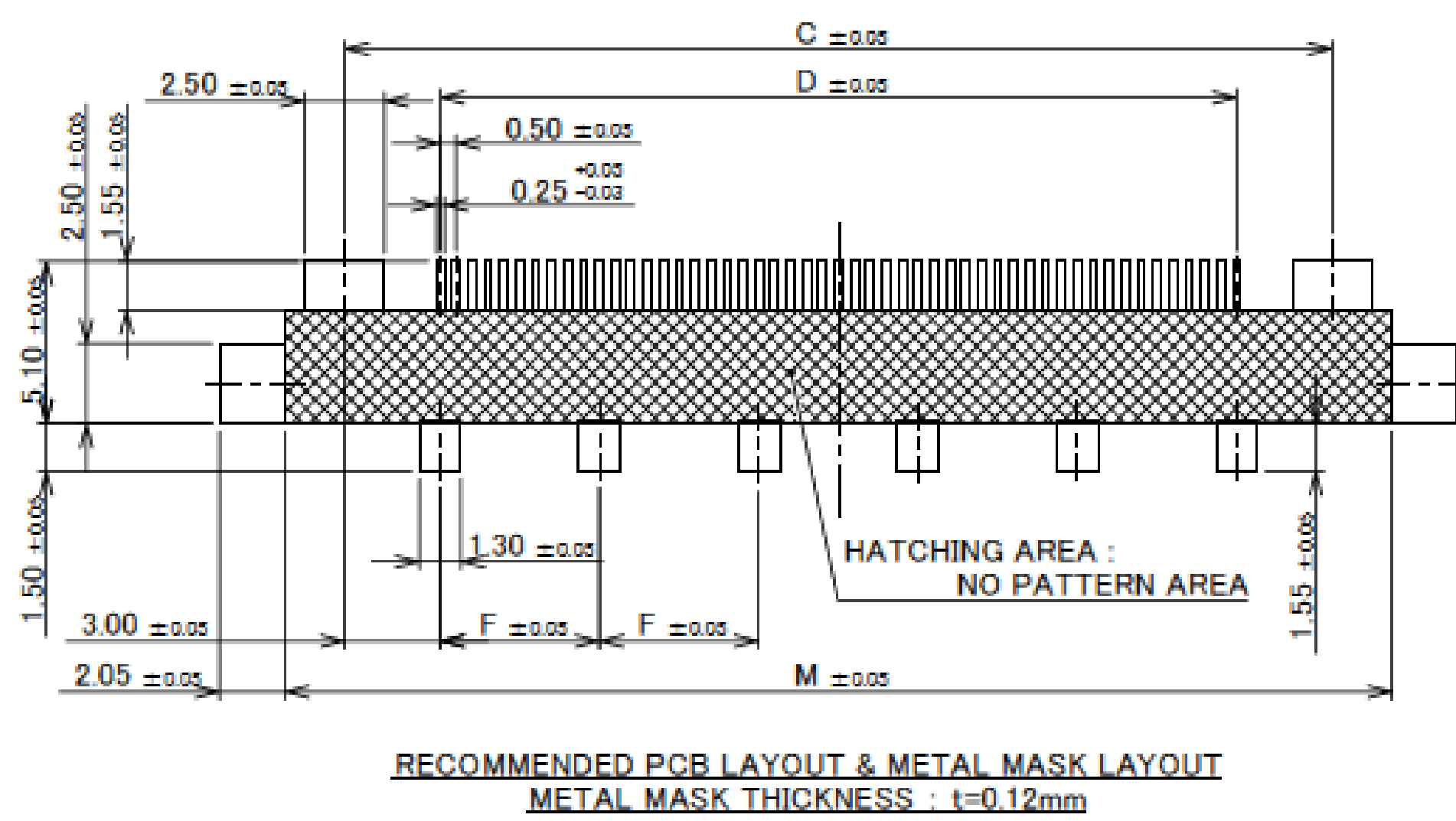


- NOTES
- DIFFERENTIAL IMPEDANCE : $100 \pm 10 \Omega$
 - MANUFACTURE CASE① or CASE②
 - SELECT A MATERIAL WITH A SOFTENING TEMPERATURE OF 85°C OR HIGHER FOR THE PATTERN ADHESIVE PART OF FFC.

NO.	DISCRIPTION	MATERIAL	FINISH , REMARKS
9	SHIELD TAPE	METALIC FILM	
8	INTERLAYER	ARBITRARY	
7	GROUND PLATE	METALIC FILM	POLISH or HALF POLISH Sn PLATING
6	REINFORCED TAPE	ARBITRARY	
5	INSULATION FILM	ARBITRARY	
4	CONDUCTOR	COPPER ALLOY	CONTACT AREA: Au 0.05 μ m MIN. OVER Ni 0.5 μ m MIN.

Rev.1

PART NO.	Pos.	C	D	F	M
20818-041E	41P	26.00	20.00	4.00	29.75
20818-051E	51P	31.00	25.00	5.00	34.75



REFLOW TEMPERATURE PROFILE
SENJU METAL INDUSTRY CO., LTD. : M705-SHF(Sn96.5 Ag3.0 Cu0.5)

- NOTES
- THIS AREA CANNOT MOUNT ANOTHER COMPONENTS.
 - SOLDER RESIST SHALL BE APPLIED TO PREVENT SHORT CIRCUITS WHEN PLACING SIGNAL LINES ON GROUND AREA.

Rev.1

Connector Assembly

ITEMS	SPECIFICATION
RATING VOLTAGE	200V AC/DC (PER CONTACT PIN)
RATING AMPERAGE	0.3A AC/DC (PER CONTACT PIN)
OPERATING TEMPERATURE	233~358K(-40°C~+85°C)
OPERATING HUMIDITY	85% MAX.(NON-CONDENSING)
CONTACT RESISTANCE	INITIAL : 60mohm MAX. / AFTER TEST : \triangle 40mohm MAX.
INSULATION RESISTANCE	100Mohm MIN.
DIELECTRIC WITHSTANDING VOLTAGE	AC250V 1min
DURABILITY	30 CYCLES
MATING FORCE (INITIAL / 30 CYCLES)	41P : 29.2N MAX. / 51P : 30.0N MAX.
UNMATING FORCE (INITIAL / 30 CYCLES)	41P : 4.25N MIN. / 51P : 5.00N MIN.
FFC RETENTION FORCE	41P : 22N MIN./ 51P : 25N MIN.
COPLANARITY	0.10mm MAX.
PRODUCT SPECIFICATION	PRS-2671
TEST REPORT	TR-20035
PACKING STANDARD	300-980
INSTRUCTION MANUAL	HIM-12001
APPEARANCE CRITERIA No.	QLS-A***


Rev.1

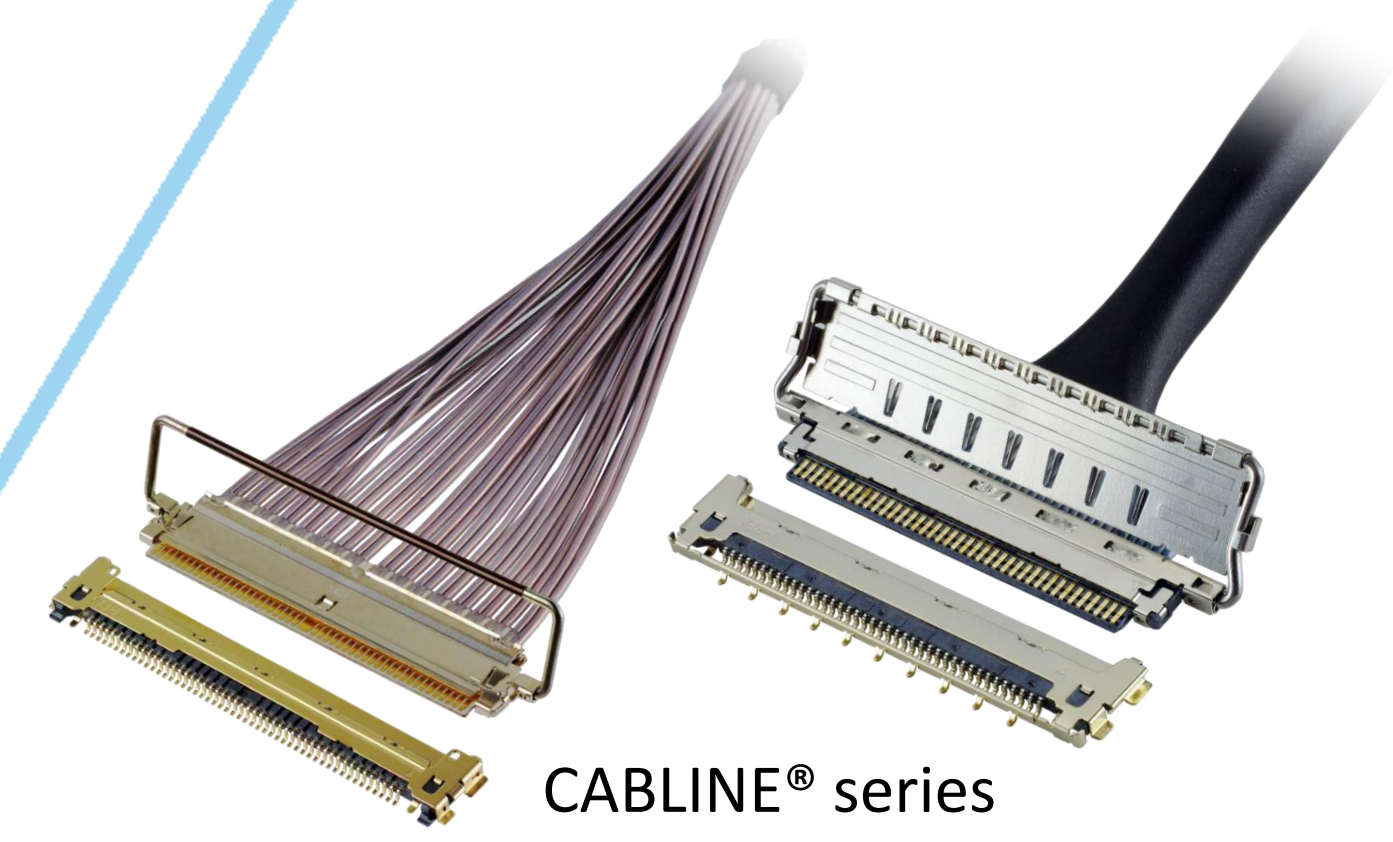
Custom Connectors Available

 RF Connector

MHF® series



 CABLINE® series
Micro-coaxial/Twinax/
Discrete Wire Connector



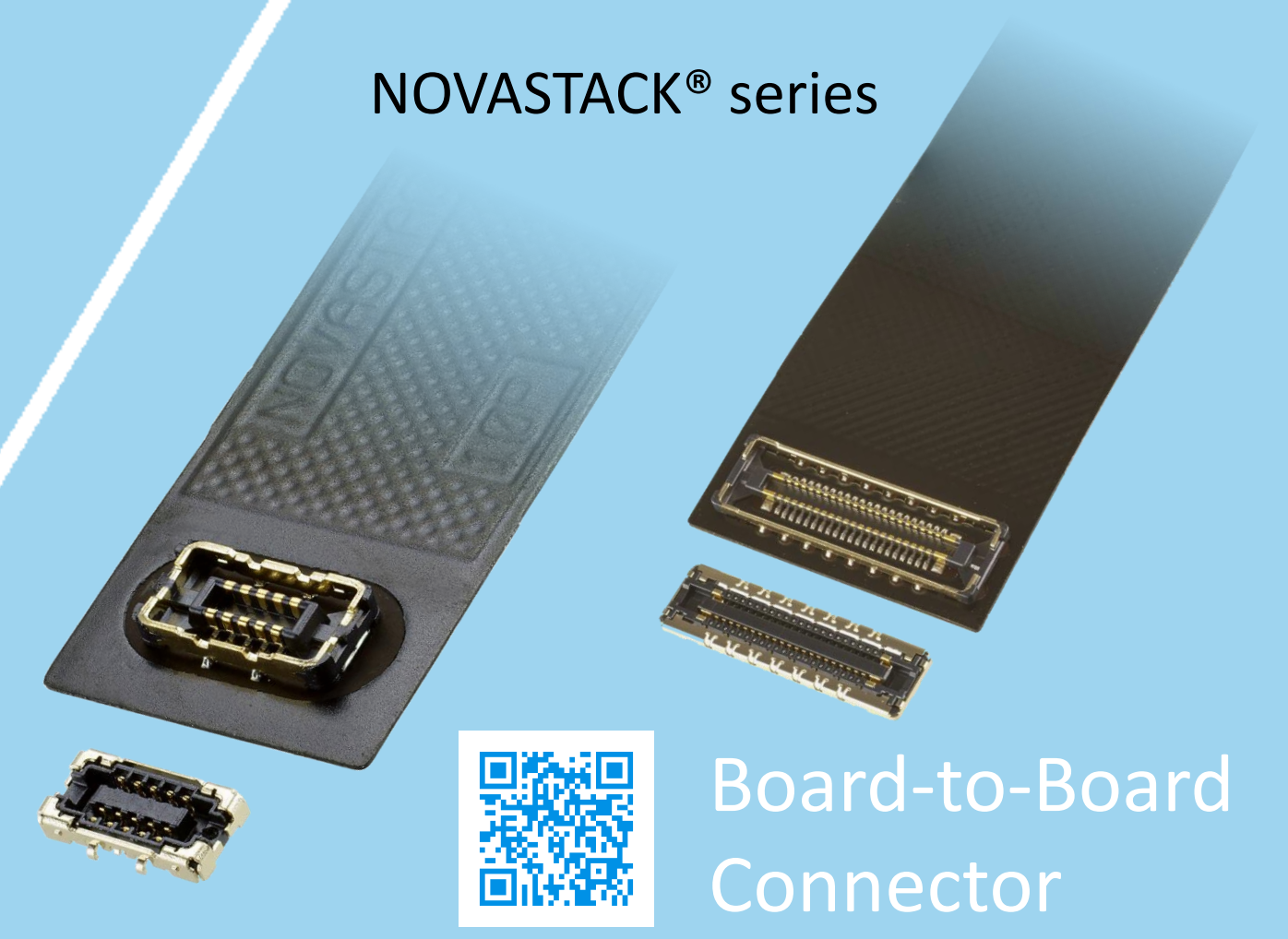
 Optical Module

LIGHTPASS® series



NOVASTACK® series

 Board-to-Board Connector



 Power Connector/
Terminal

AP series

ISH® series



MINIFLEX® series

EVAFLEX® series

 FPC FFC Connector

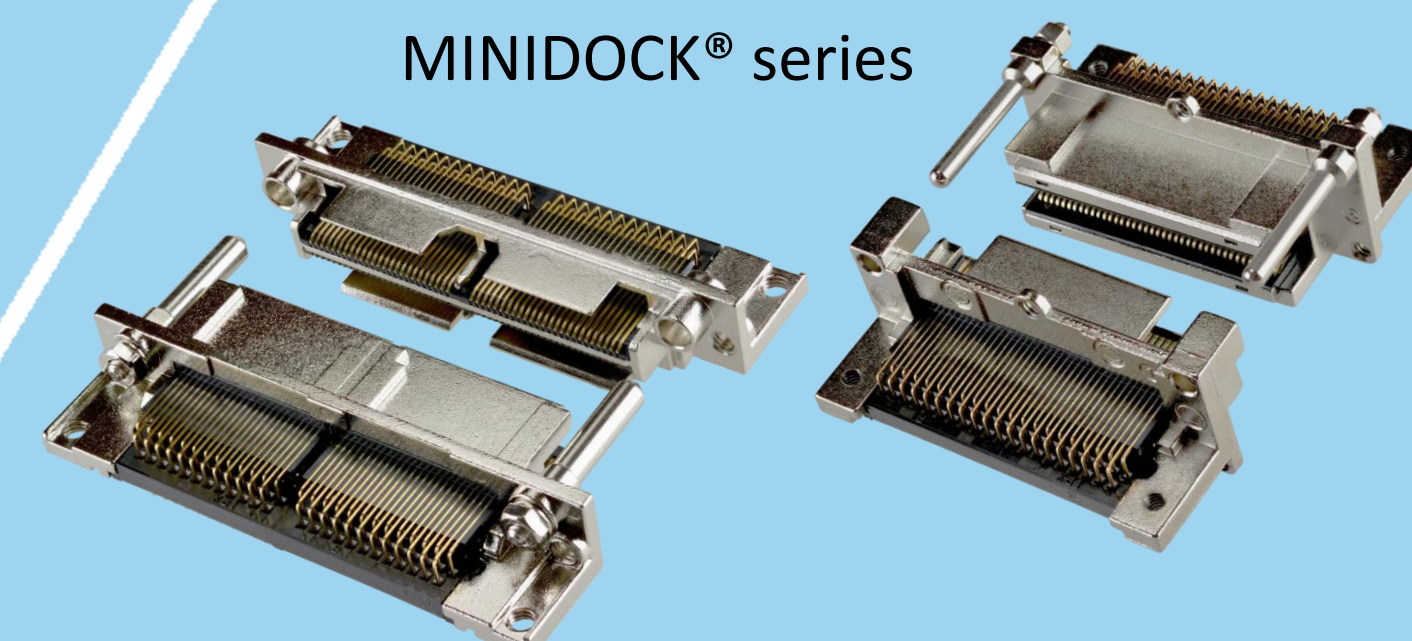


Inquiry



MINIDOCK® series

 I/O Connector



I-PEX, MHF, CABLINE, LIGHTPASS, NOVASTACK, ISH, IARPB, MINIFLEX, EVAFLEX, MINIDOCKS and ZenShield are registered trademarks of I-PEX Inc. Please note that the contents in the catalog might be changed without prior notification. I-PEX Inc. assumes no responsibility for any inaccuracies or obligation to update information on these documents. Please be sure to read and understand the latest "Precautions for Use" and "Instruction Manual" before you use our products. We shall not be responsible for any defects, damages or troubles in case you use our products without following the precautions for use. Please feel free to contact our sales representatives when you use our products for any applications that require very high reliability and safety, or that relate to human life (ex. nuclear power control, aerospace, transportation, medical equipment, safety equipment etc.).

Contact your sales representative or more detailed information.

www.i-pex.com



I-PEX

© I-PEX Inc. 2024
All rights reserved