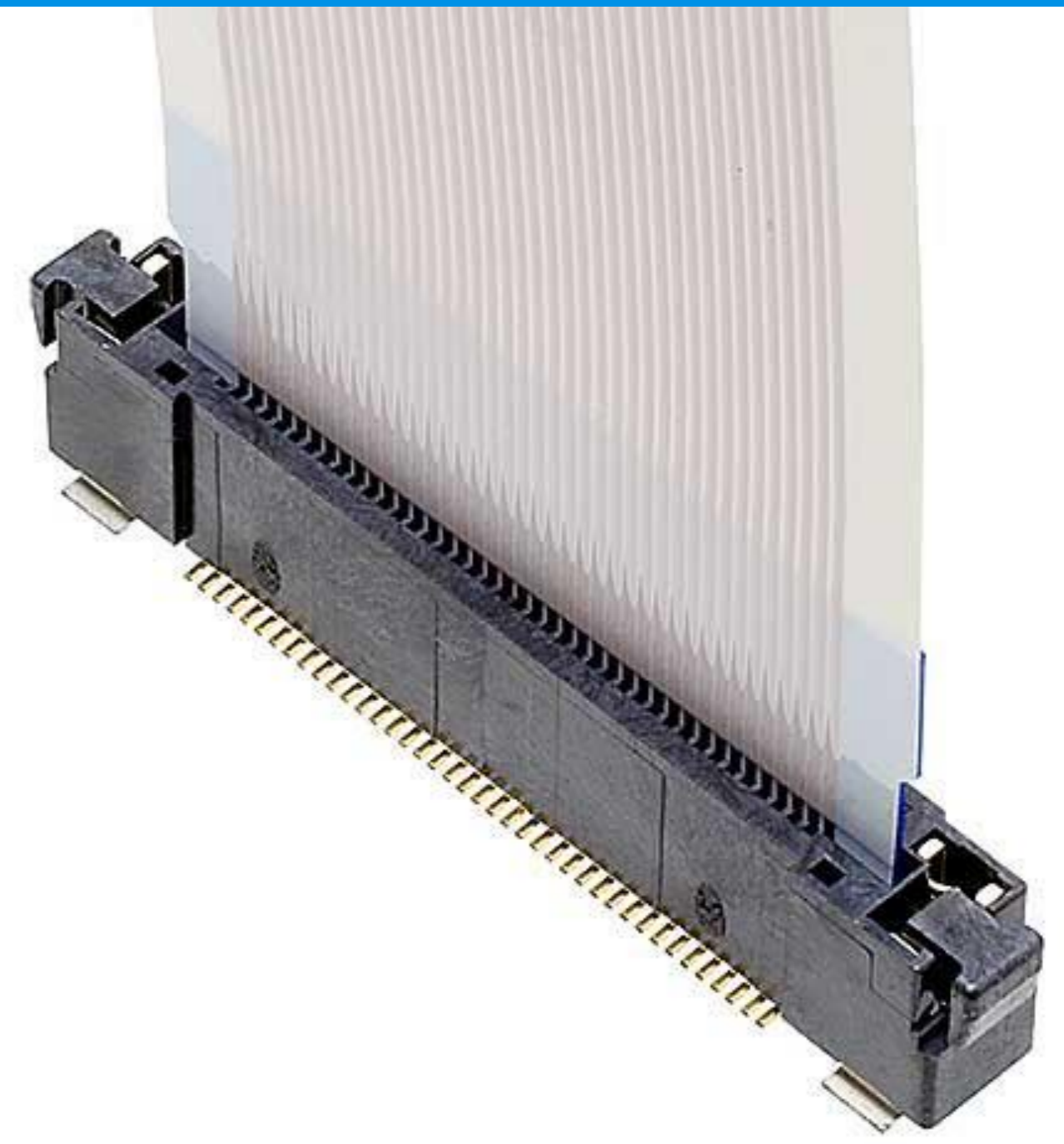


# EVAFLEX® 5-SE VT

自動鎖扣 · 垂直插拔 · 0.5 mm 間距的FFC/FPC連接器



## Product Specifications:

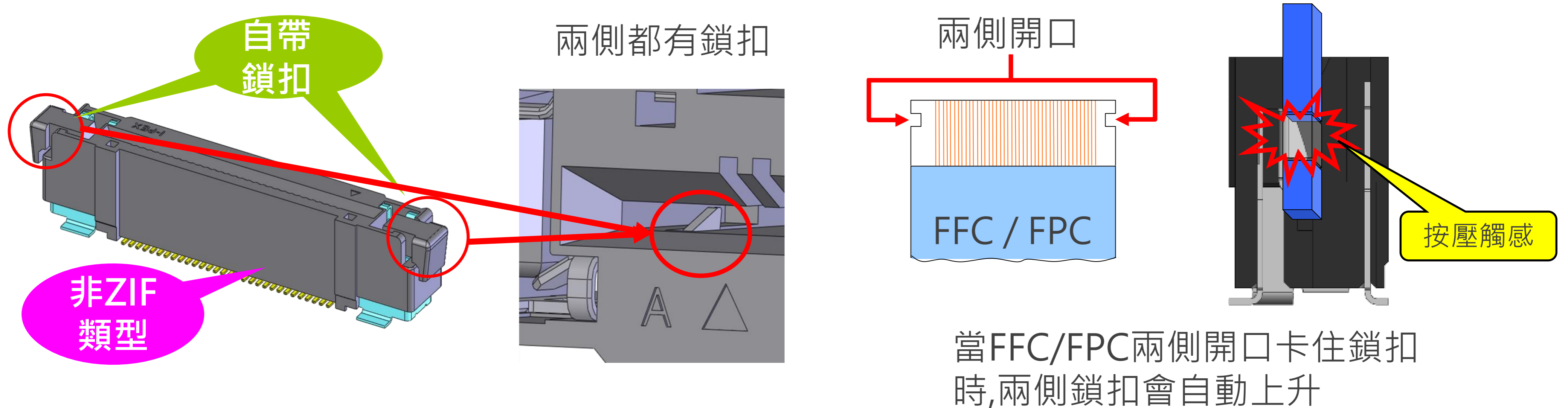
|                    |           |  |
|--------------------|-----------|--|
| Board Pitch (mm)   | 0.5       |  |
| Wiping Length (mm) | 1.2       |  |
| Size (mm)          | Height    | 6.00 +/- 0.30                          |
|                    | Width     | Formula: 11.5 + (0.5*?p)               |
|                    | Depth     | 4.50 +/- 0.20                          |
| Pin counts         | Range     | 10 – 80                                |
|                    | Available | 16, 22, 24, 26, 30, 40, 45, 50, 60, 80 |

## Applicable FPC/FFC:

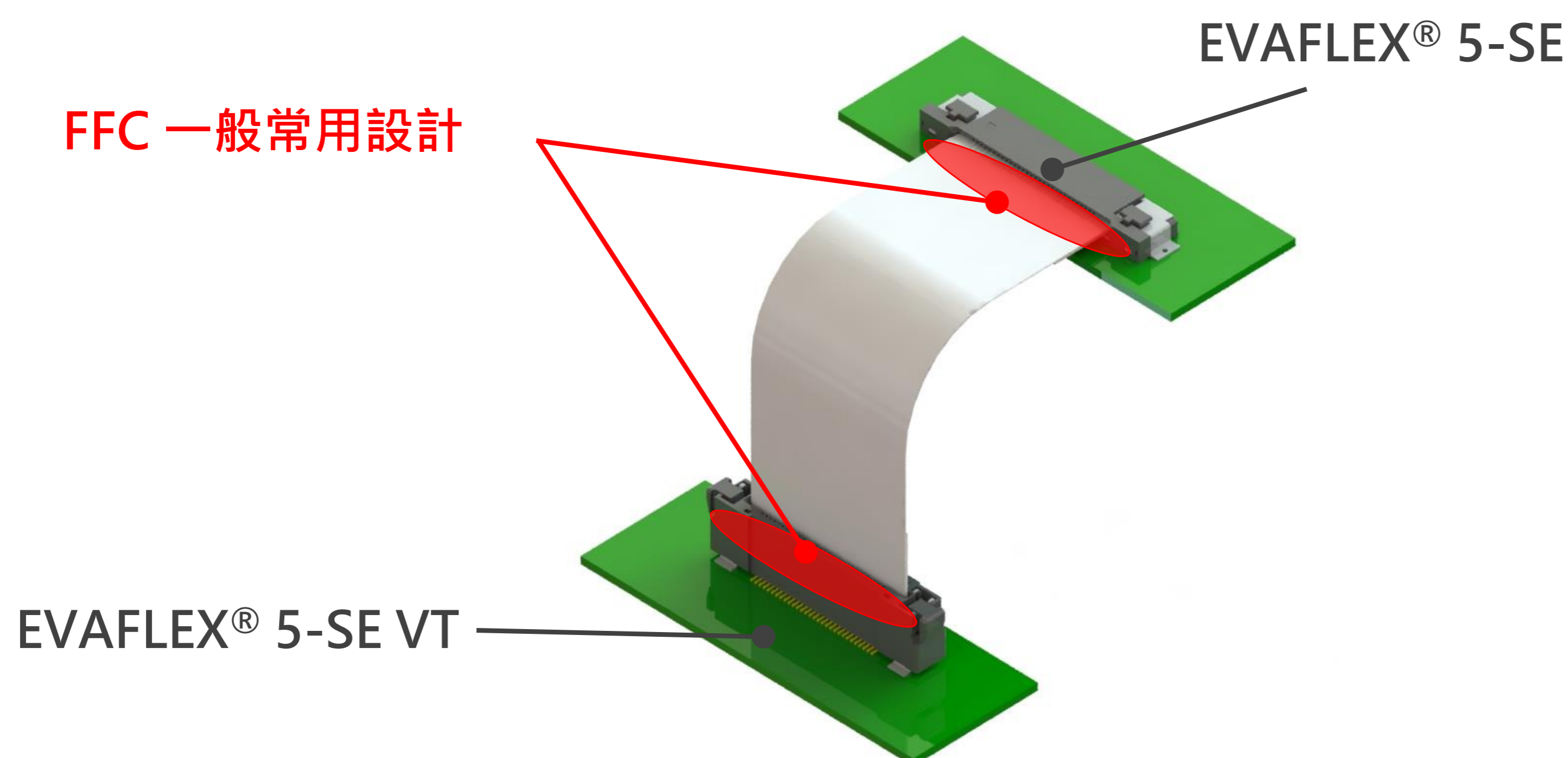
|                        |                          |
|------------------------|--------------------------|
| FPC/FFC Type           | Non-shielded FFC/FPC     |
| FPC/FFC Contact Point  | Signal contact tail side |
| FPC/FFC Thickness (mm) | 0.30 +/- 0.05            |

\*若有規格外 Pin 數需求,請與當地負責業務窗口聯繫。

## ▶ 使用者友善操作自動鎖扣介面設計, 手動或自動化的最佳選擇



## ▶ 可與水平對插系列(EVAFLEX® 5-SE)共用FFC



## ▶ 延伸EVAFLEX® 系列產品自帶鎖扣連接器 還有其他選擇

高耐溫系列(125°C): EVAFLEX® 5-SE-G VT

|        | EVAFLEX 5® -SE-G VT          |
|--------|------------------------------|
| 高度(mm) | 6.60 +/- 01                  |
| 操作溫度   | up to 125°C                  |
| 可支持的標準 | V-by-one HS 1.4<br>(4+ Gbps) |



# Component Parts Details

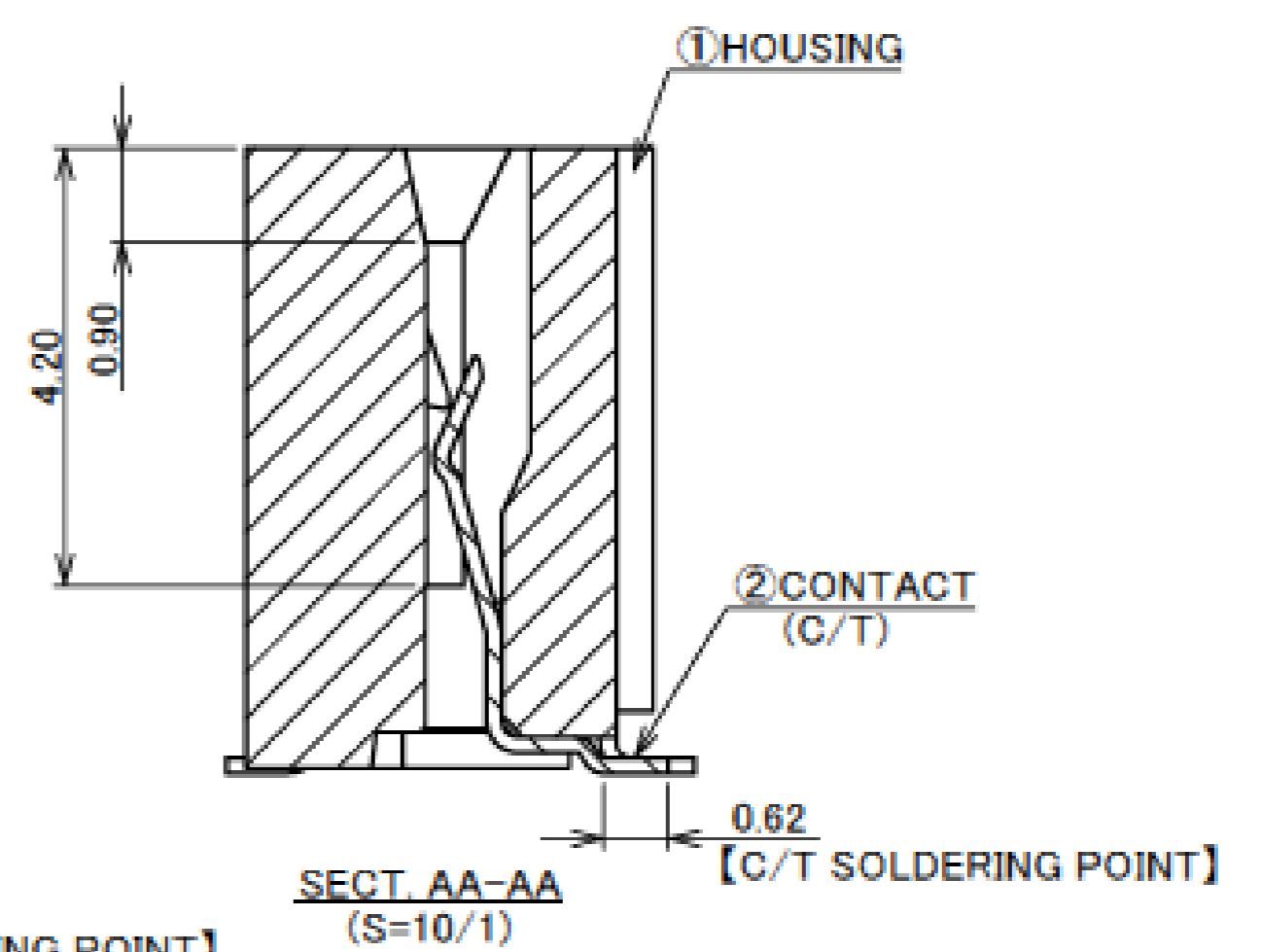
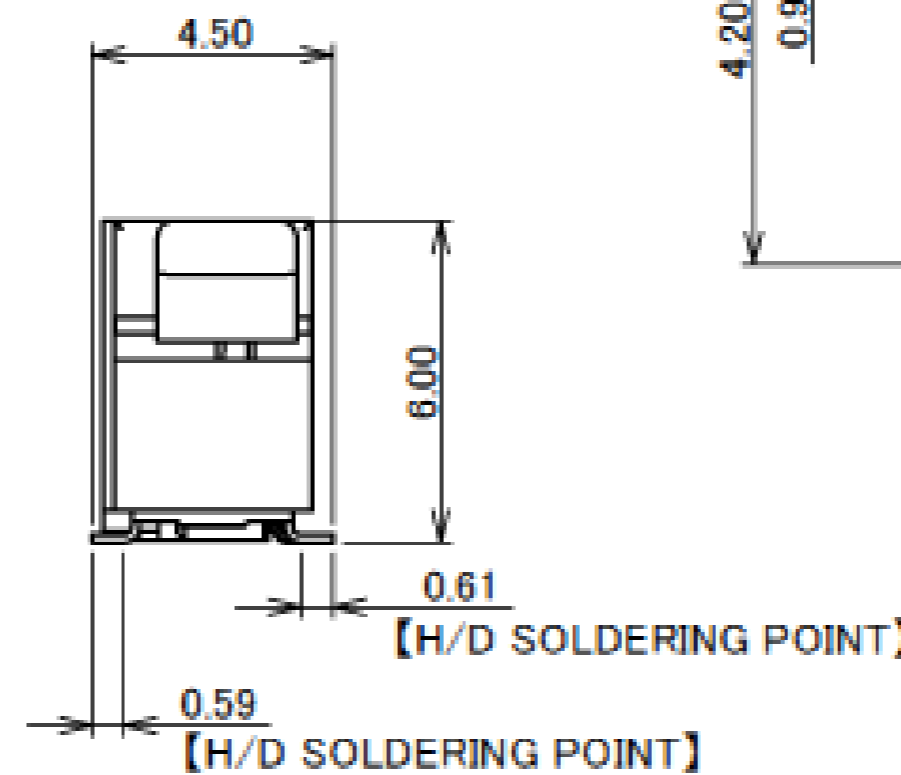
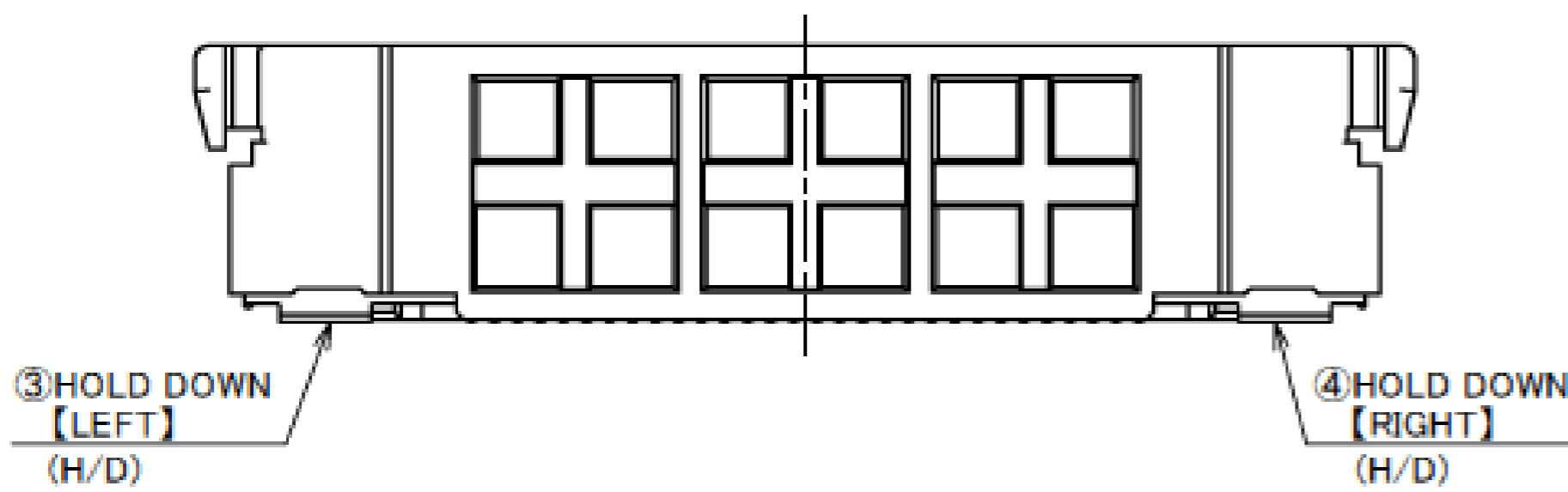
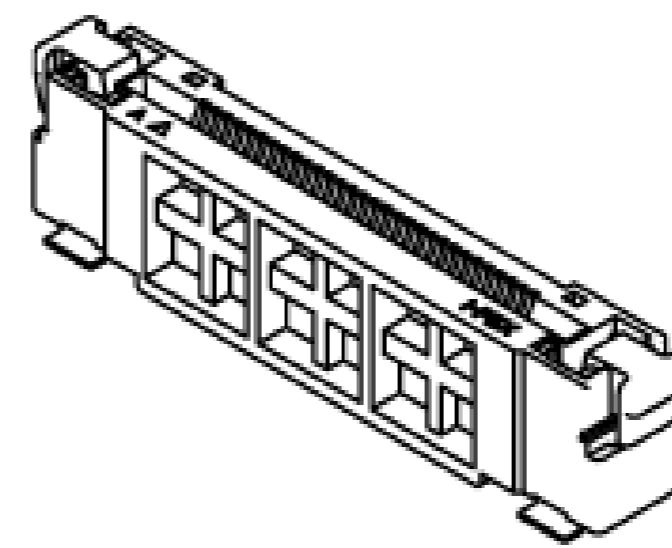
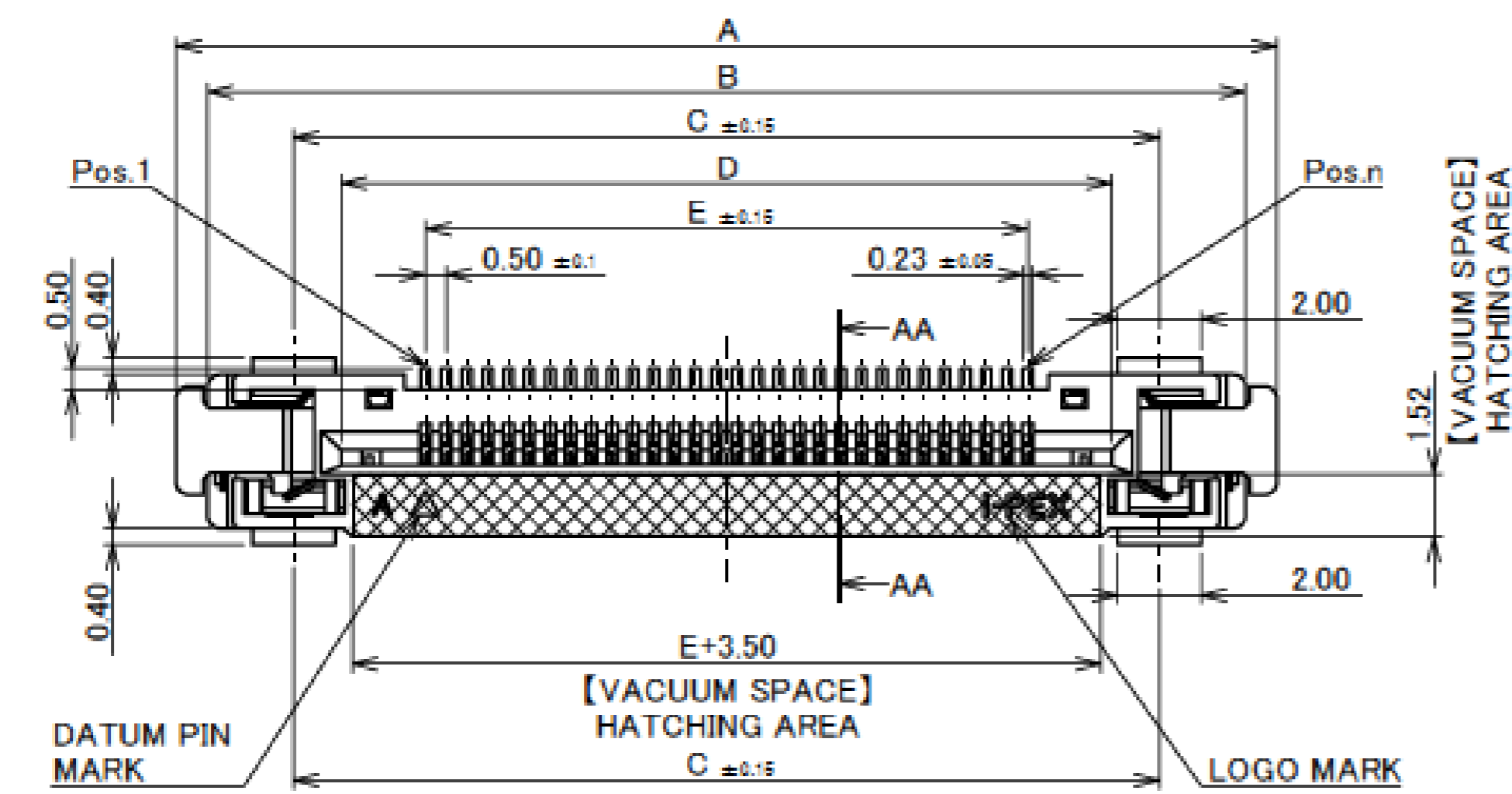
## Connector Assembly

Recommended P/N 20539-0\*\*E-01

| PART NO.      | Pos. | A     | B     | C     | D     | E     |
|---------------|------|-------|-------|-------|-------|-------|
| 20539-016E-01 | 16   | 19.50 | 17.98 | 13.84 | 11.56 | 7.50  |
| 20539-022E-01 | 22   | 22.50 | 20.98 | 16.84 | 14.56 | 10.50 |
| 20539-024E-01 | 24   | 23.50 | 21.98 | 17.84 | 15.56 | 11.50 |
| 20539-026E-01 | 26   | 24.50 | 22.98 | 18.84 | 16.56 | 12.50 |
| 20539-030E-01 | 30   | 26.50 | 24.98 | 20.84 | 18.56 | 14.50 |
| 20539-040E-01 | 40   | 31.50 | 29.98 | 25.84 | 23.56 | 19.50 |
| 20539-045E-01 | 45   | 34.00 | 32.48 | 28.34 | 26.06 | 22.00 |
| 20539-050E-01 | 50   | 36.50 | 34.98 | 30.84 | 28.56 | 24.50 |
| 20539-060E-01 | 60   | 41.50 | 39.98 | 35.84 | 33.56 | 29.50 |
| 20539-080E-01 | 80   | 51.50 | 49.98 | 45.84 | 43.56 | 39.50 |



Halogen Free RoHS Compliant

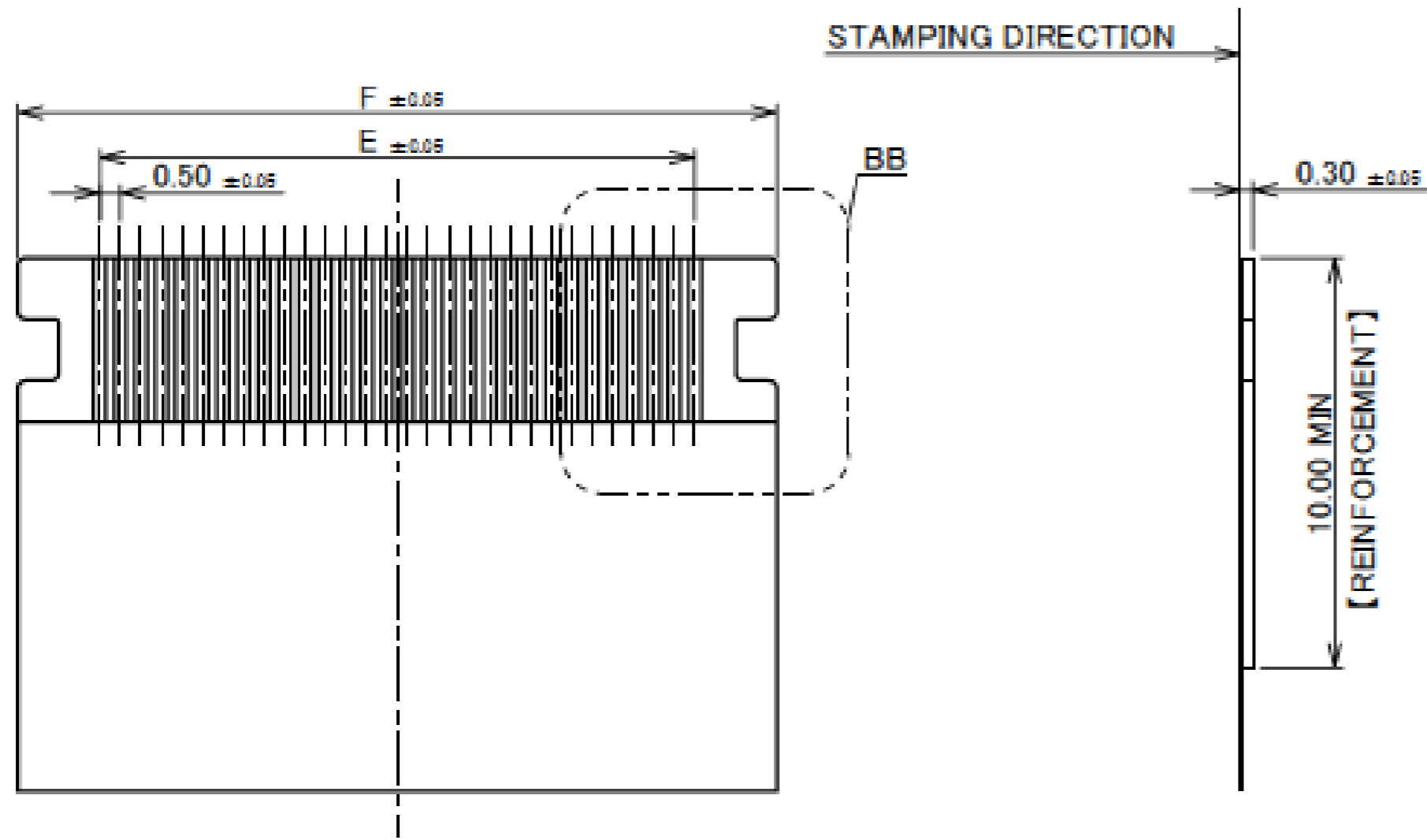


|     |                   |                 |  |
|-----|-------------------|-----------------|--|
| 4   | HOLD DOWN [RIGHT] | PHOSPHOR BRONZE | Sn 2.00 μm MIN. OVER Ni 1.00 μm MIN.   |
| 3   | HOLD DOWN [LEFT]  | PHOSPHOR BRONZE | Sn 2.00 μm MIN. OVER Ni 1.00 μm MIN.   |
| 2   | CONTACT           | PHOSPHOR BRONZE | CONTACT AREA: Au 0.10 μm MIN. OVER Ni 1.00 μm MIN.<br>SOLDERING AREA: Au 0.03 μm MIN. OVER Ni 1.00 μm MIN. |
| 1   | HOUSING           | LCP             | UL94V-0, BLACK   |
| NO. | DISCRIPTION       | MATERIAL        | FINISH, REMARKS  |

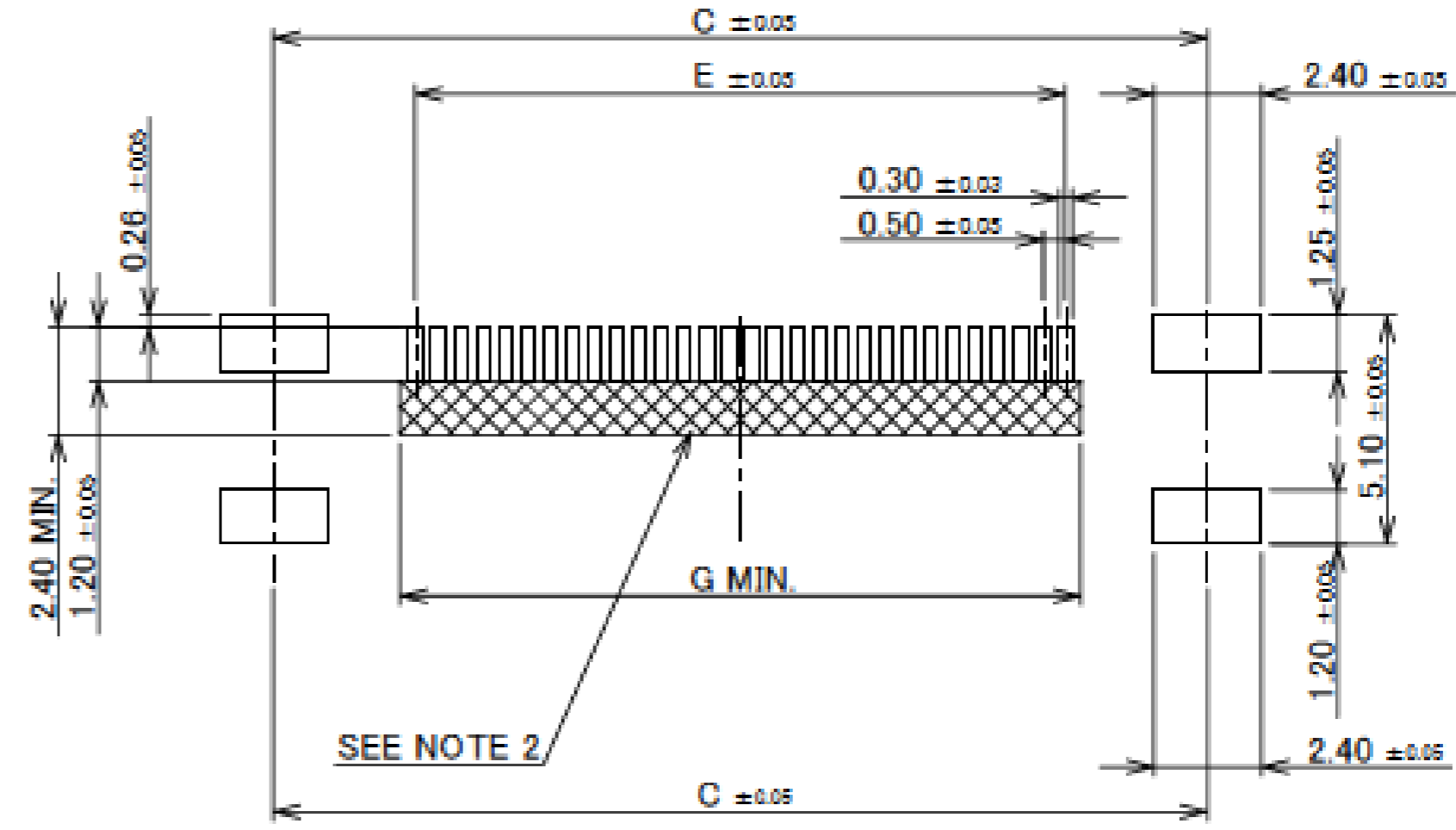
Rev.12

# Connector Assembly

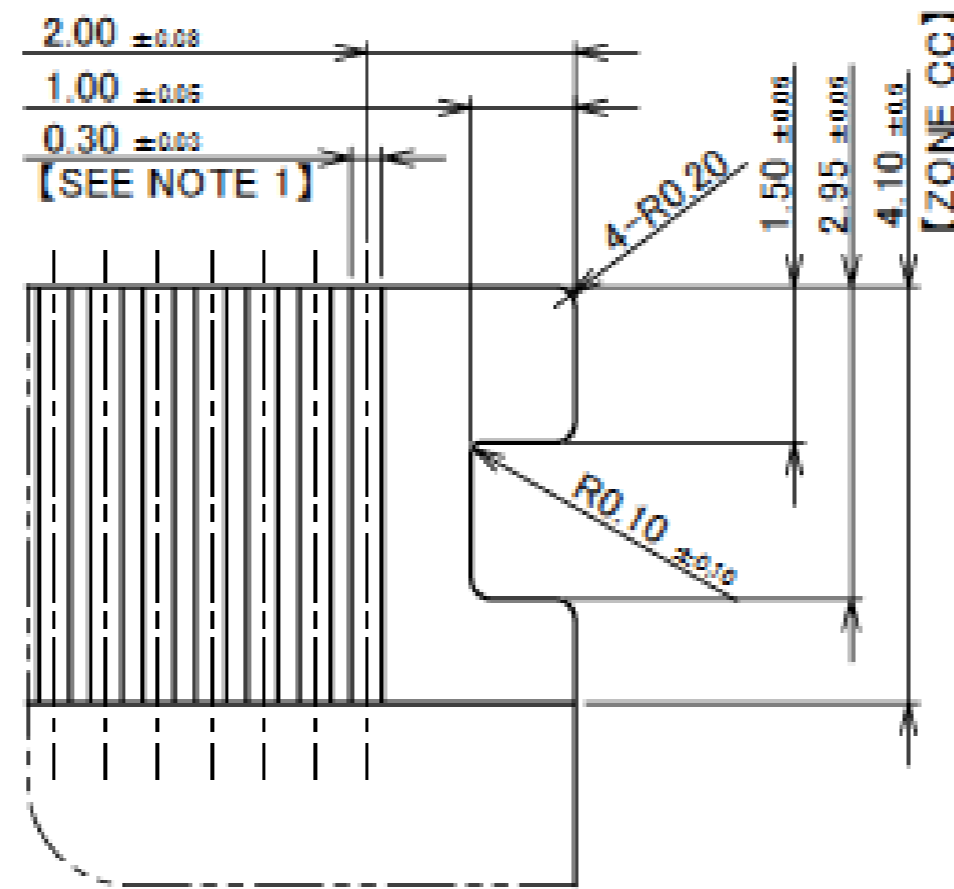
| PART NO.      | Pos. | C     | E     | F     | G     |
|---------------|------|-------|-------|-------|-------|
| 20539-016E-01 | 16   | 13.84 | 7.50  | 11.50 | 8.20  |
| 20539-022E-01 | 22   | 16.84 | 10.50 | 14.50 | 11.20 |
| 20539-024E-01 | 24   | 17.84 | 11.50 | 15.50 | 12.20 |
| 20539-026E-01 | 26   | 18.84 | 12.50 | 16.50 | 13.20 |
| 20539-030E-01 | 30   | 20.84 | 14.50 | 18.50 | 15.20 |
| 20539-040E-01 | 40   | 25.84 | 19.50 | 23.50 | 20.20 |
| 20539-045E-01 | 45   | 28.34 | 22.00 | 26.00 | 22.70 |
| 20539-050E-01 | 50   | 30.84 | 24.50 | 28.50 | 25.20 |
| 20539-060E-01 | 60   | 35.84 | 29.50 | 33.50 | 30.20 |
| 20539-080E-01 | 80   | 45.84 | 39.50 | 43.50 | 40.20 |



RECOMMENDED FPC/FFC LAYOUT



RECOMMENDED PCB LAYOUT & METAL MASK LAYOUT  
METAL MASK THICKNESS : t=0.12mm



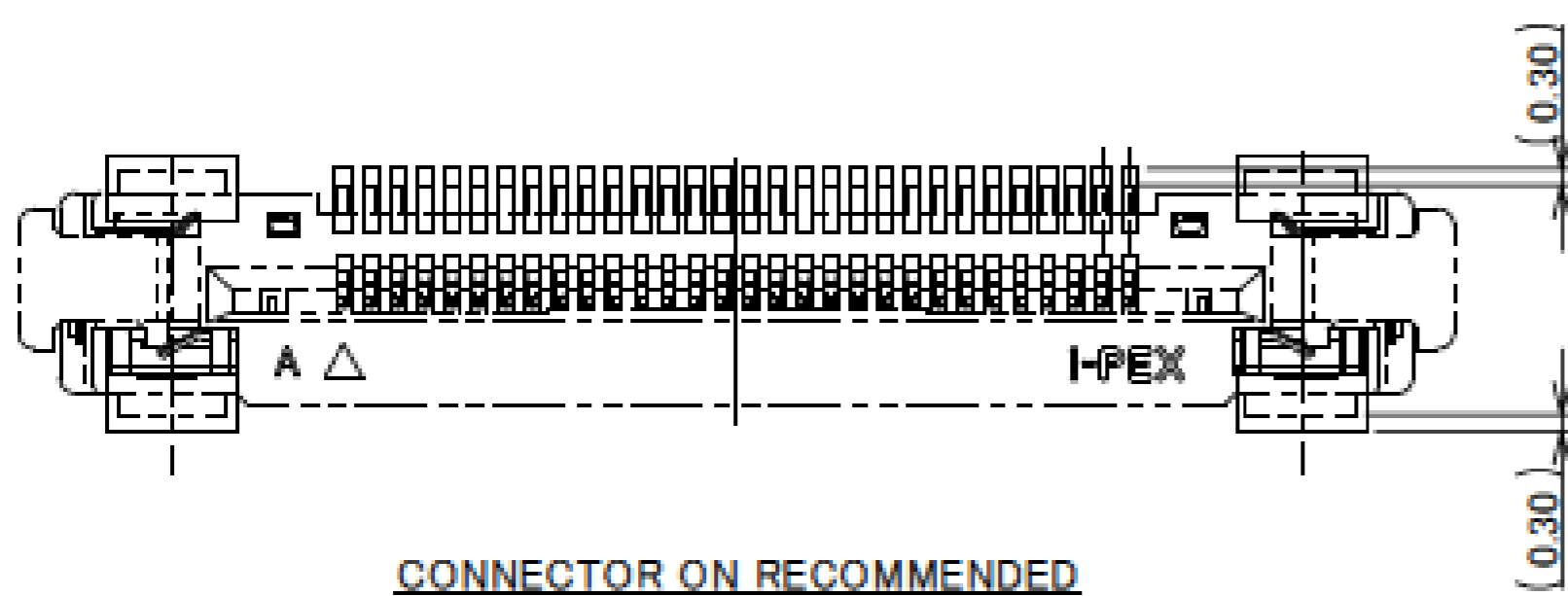
DETAIL BB  
(S = 10 : 1)

NOTES

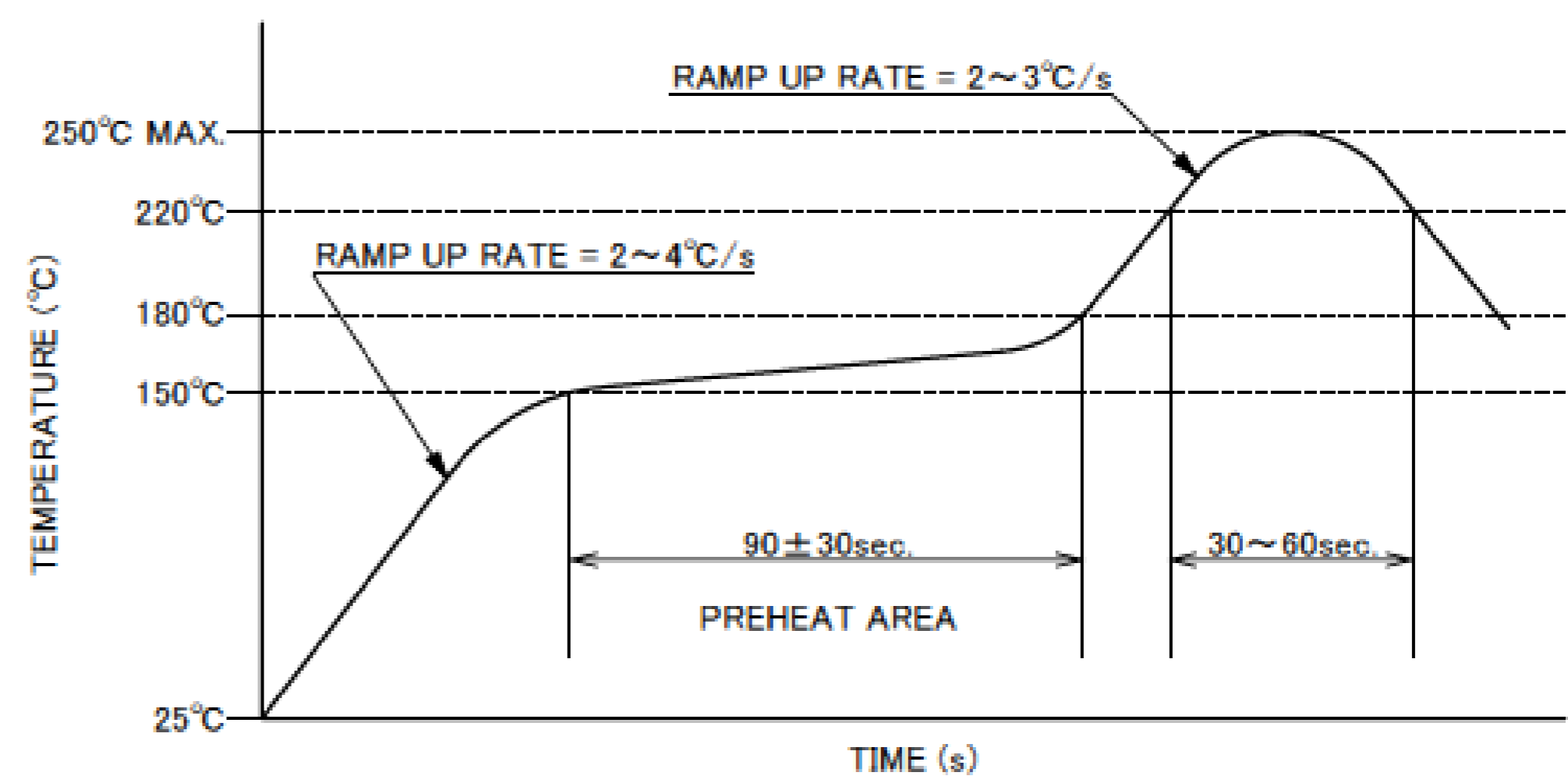
- CONTROL DIMENSION OF [ZONE CC] WITHIN  $0.30 \pm 0.03$ .
- SOLDER RESIST MUST BE APPLIED TO THIS AREA.
- SELECT A MATERIAL WITH A SOFTENING TEMPERATURE OF  $85^{\circ}\text{C}$  OR HIGHER FOR THE PATTERN ADHESIVE PART OF FFC.

Rev.12

# Plug Housing Assembly



CONNECTOR ON RECOMMENDED  
FOOTPRINT PATTERN LAYOUT



REFLOW TEMPERATURE PROFILE  
SENJU METAL INDUSTRY CO., LTD. : M705-SHF(Sn96.5 Ag3.0 Cu0.5)

Rev.12

# Connector Assembly

| ITEMS                                   | SPECIFICATION   |
|---|---|
| RATING VOLTAGE                          | 50V AC/DC (PER CONTACT PIN)   |
| RATING AMPERAGE (AVAILABLE UP TO 15PIN) | 0.50A AC/DC (PER CONTACT PIN)   |
| RATING AMPERAGE (AVAILABLE FOR ALL PIN) | 0.35A AC/DC (PER CONTACT PIN)   |
| OPERATING TEMPERATURE                   | 233~358K(-40°C~+85°C)   |
| OPERATING HUMIDITY                      | 85%R.H. MAX.  |
| CONTACT RESISTANCE                      | INITIAL : 70mohm MAX. / AFTER TEST : $\leq$ 140mohm MAX.  |
| INSULATION RESISTANCE                   | 500Mohm MIN.  |
| DIELECTRIC WITHSTANDING VOLTAGE         | AC250V 1min   |
| DURABILITY                              | 30 CYCLES   |
| MATING FORCE (INITIAL / 30 CYCLES)      | 16P: 9.6N MAX., 22P: 13.2N MAX., 24P: 14.4N MAX., 26P: 15.6N MAX., 30P: 18.0N MAX.,<br>40P: 24.0N MAX., 45P: 27.0N MAX., 50P: 30.0N MAX., 60P: 36.0N MAX., 80P: 48.0N MAX.  |
| UNMATING FORCE (INITIAL / 30 CYCLES)    | 16P: 1.44N MIN., 22P: 1.98N MIN., 24P: 2.16N MIN., 26P: 2.34N MIN., 30P: 2.70N MIN.,<br>40P: 3.60N MIN., 45P: 4.05N MIN., 50P: 4.50N MIN., 60P: 5.40N MIN., 80P: 7.20N MIN. |
| FPC/FFC RETENTION FORCE                 | 25.0N MIN.  |
| COPLANARITY                             | 0.10mm MAX.   |
| PRODUCT SPECIFICATION                   | PRS-1620  |
| TEST REPORT                             | TR-12047  |
| PACKING STANDARD                        | 300-967   |
| INSTRUCTION MANUAL                      | HIM-11002   |
| APPEARANCE CRITERIA No.                 | QLS-A***  |


Rev.12

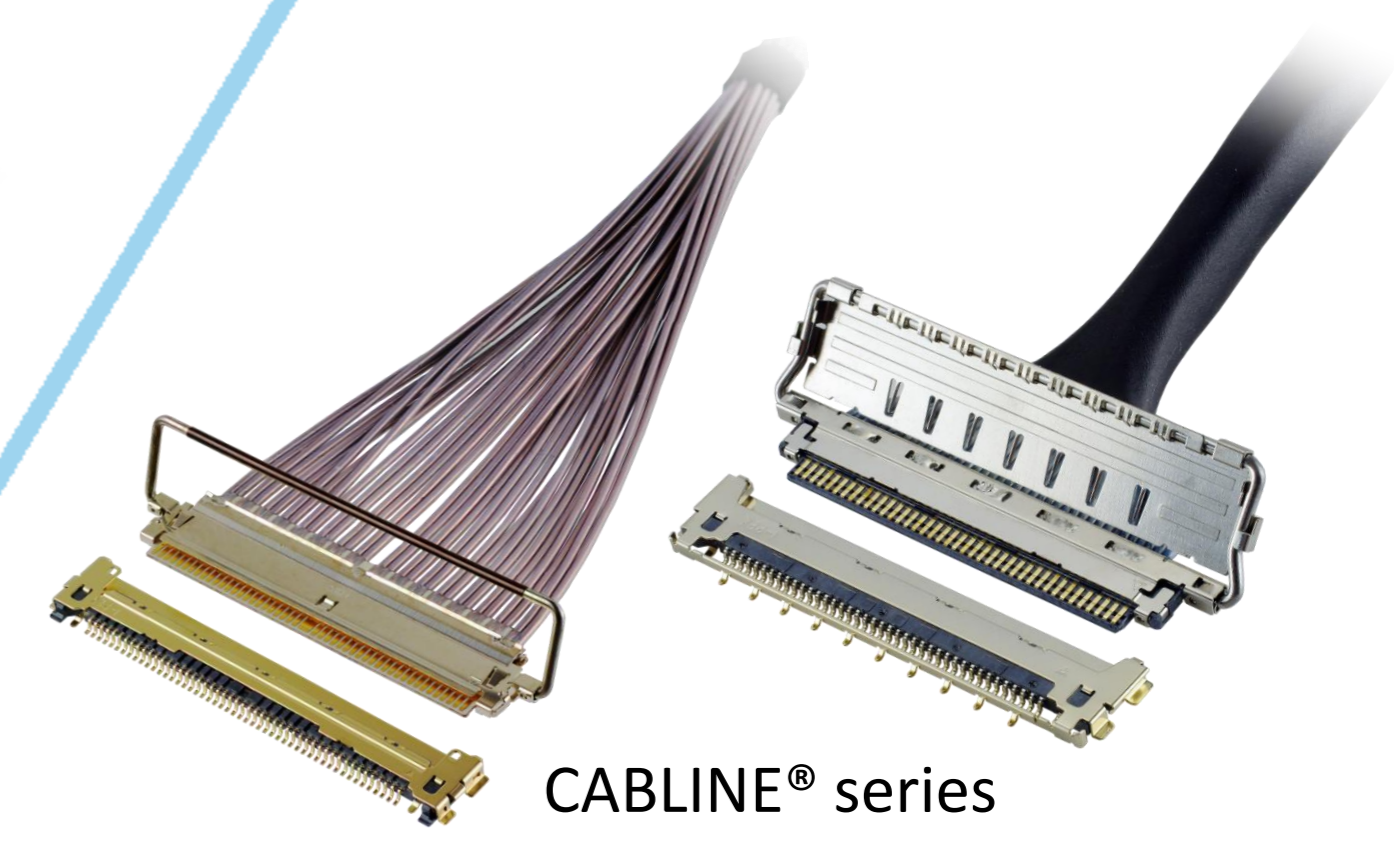
# Custom Connectors Available

 RF Connector

MHF® series



 CABLINE® series  
Micro-coaxial/Twinax/  
Discrete Wire Connector



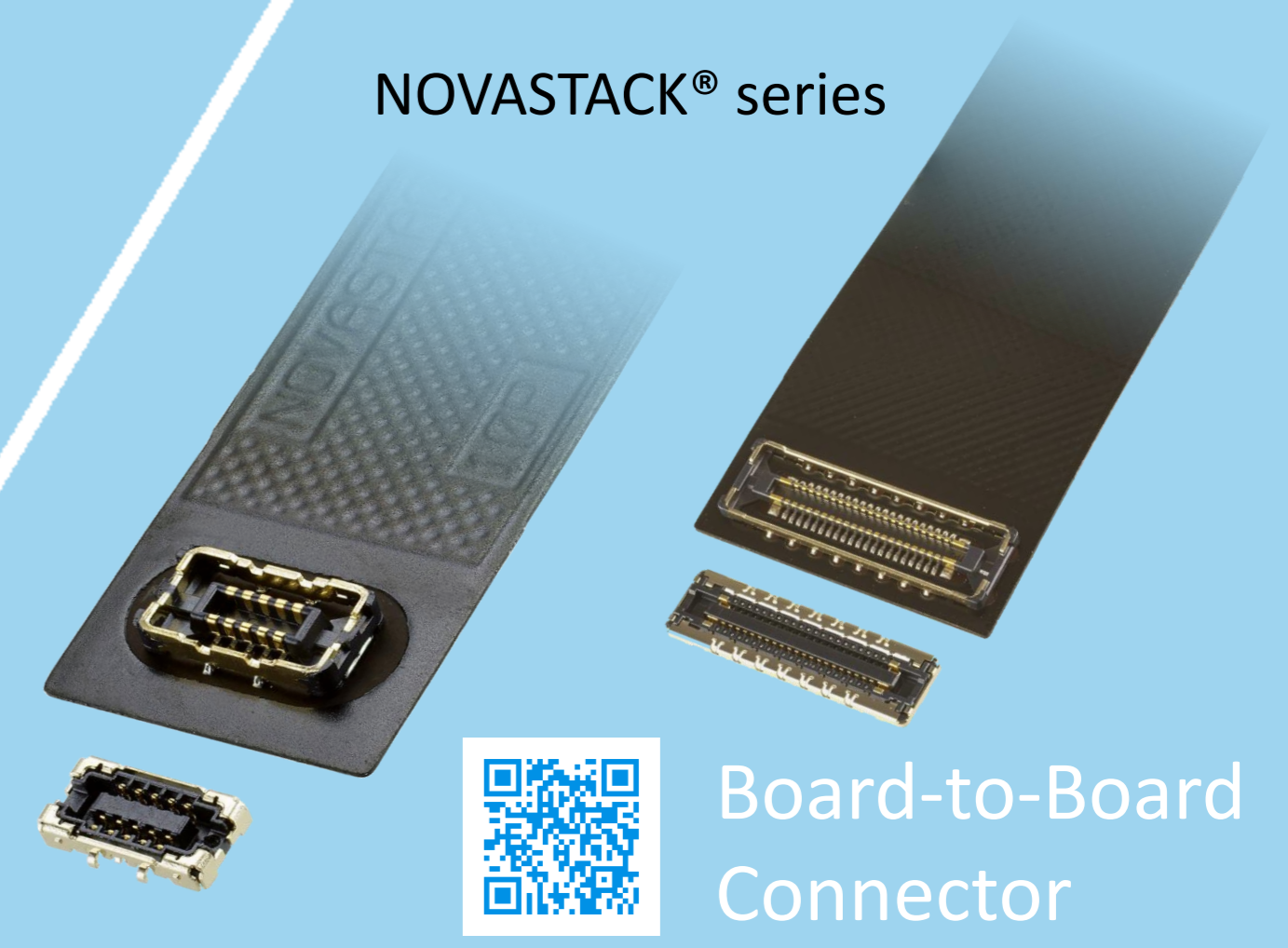
 Optical Module

LIGHTPASS® series



NOVASTACK® series

 Board-to-Board Connector



 Power Connector/  
Terminal

AP series

ISH® series



MINIFLEX® series

EVAFLEX® series

 FPC FFC Connector

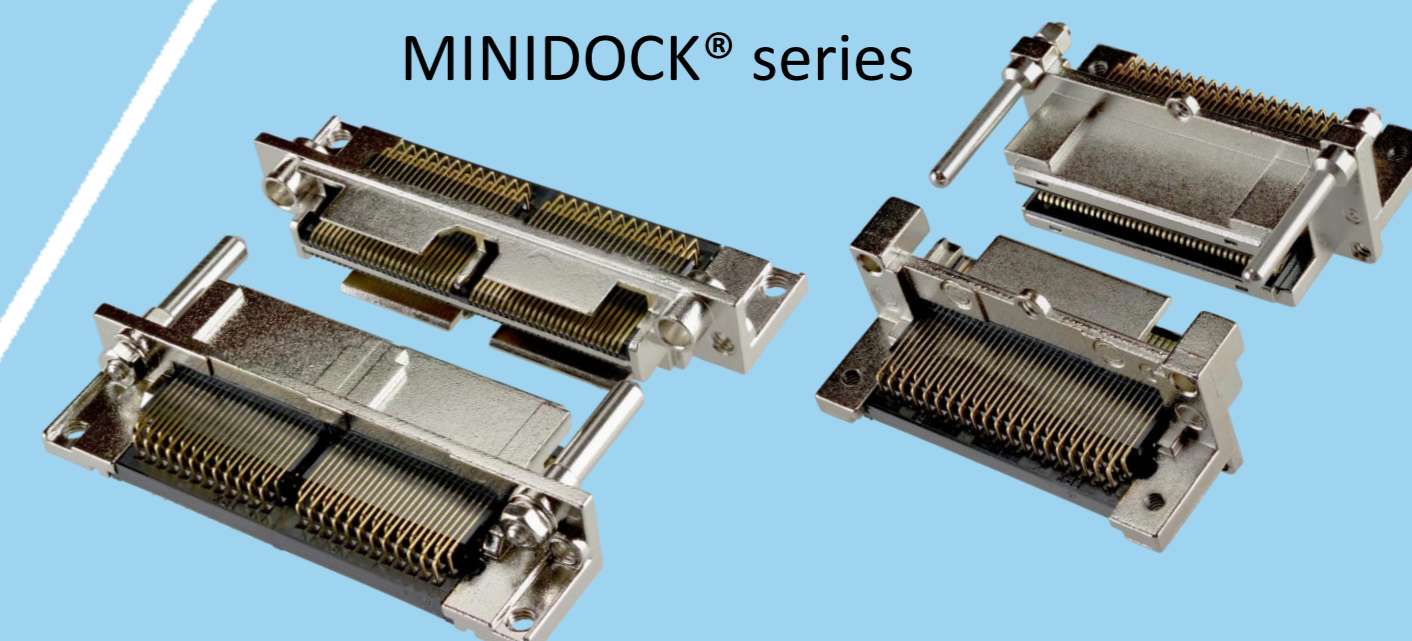


Inquiry



MINIDOCK® series

 I/O Connector



I-PEX, MHF, CABLINE, LIGHTPASS, NOVASTACK, ISH, IARPB, MINIFLEX, EVAFLEX, MINIDOCKS and ZenShield are registered trademarks of I-PEX Inc. Please note that the contents in the catalog might be changed without prior notification. I-PEX Inc. assumes no responsibility for any inaccuracies or obligation to update information on these documents. Please be sure to read and understand the latest "Precautions for Use" and "Instruction Manual" before you use our products. We shall not be responsible for any defects, damages or troubles in case you use our products without following the precautions for use. Please feel free to contact our sales representatives when you use our products for any applications that require very high reliability and safety, or that relate to human life (ex. nuclear power control, aerospace, transportation, medical equipment, safety equipment etc.).

Contact your sales representative or more detailed information.

[www.i-pex.com](http://www.i-pex.com)



# I-PEX

© I-PEX Inc. 2024  
All rights reserved