

EVAFLEX® 5-SE

Auto-locking, horizontal mate, 0.5 mm pitch FFC/FPC connector

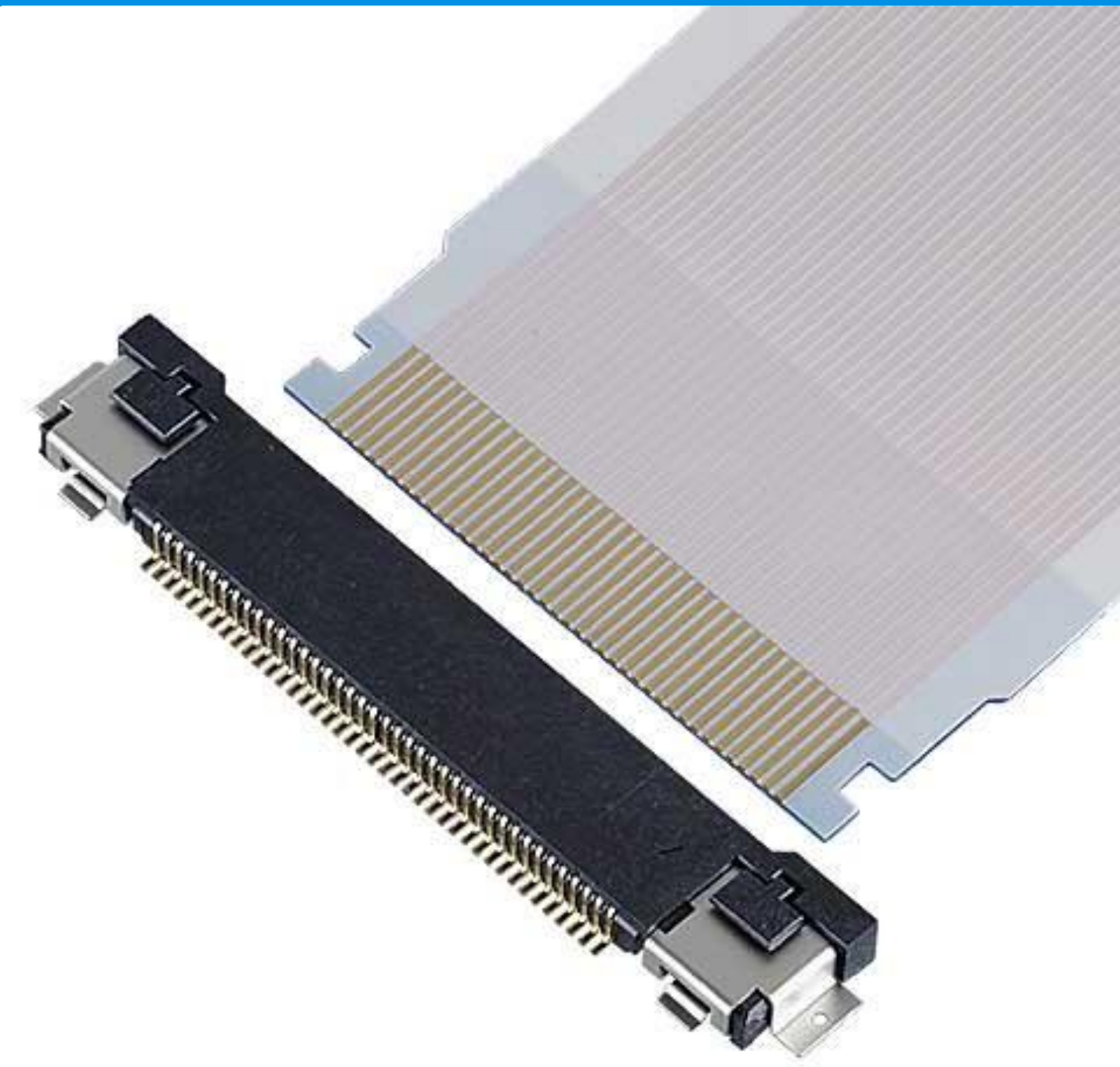
Product Specifications:

Board Pitch (mm)	0.5	
Wiping Length (mm)	1.45	
Size (mm)	Height	2.40 +/- 0.20
	Width	Formula: 13.10 + (0.5*?p)
	Depth	5.90 +/- 0.20
Pin counts	Range	10 – 60
	Available	10, 15, 22, 30, 40, 45, 50, 60

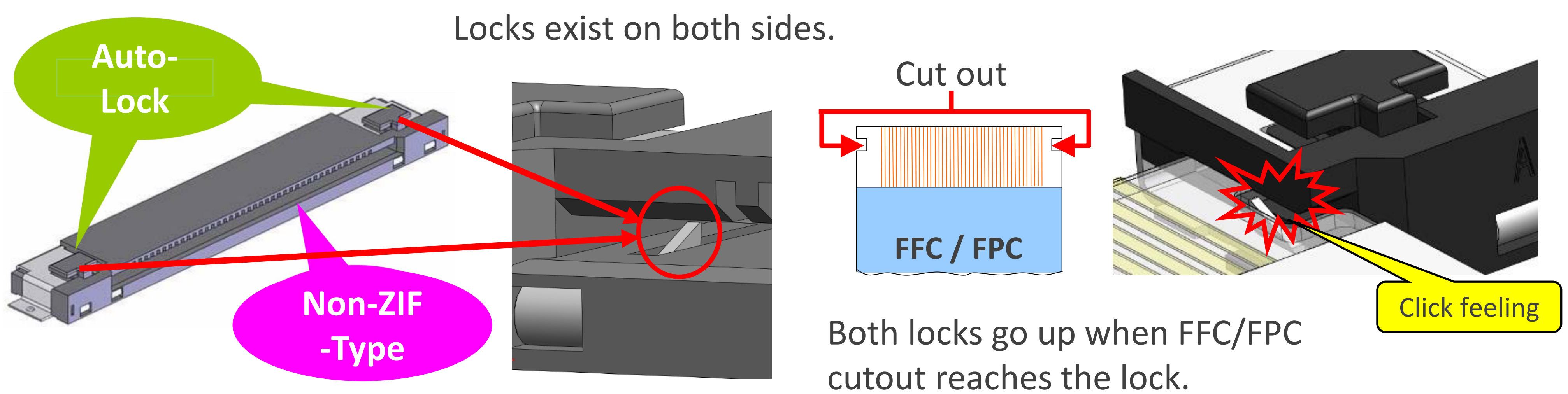
* Please inquire for pin counts not listed or outside of the pin count range.

Applicable FPC/FFC:

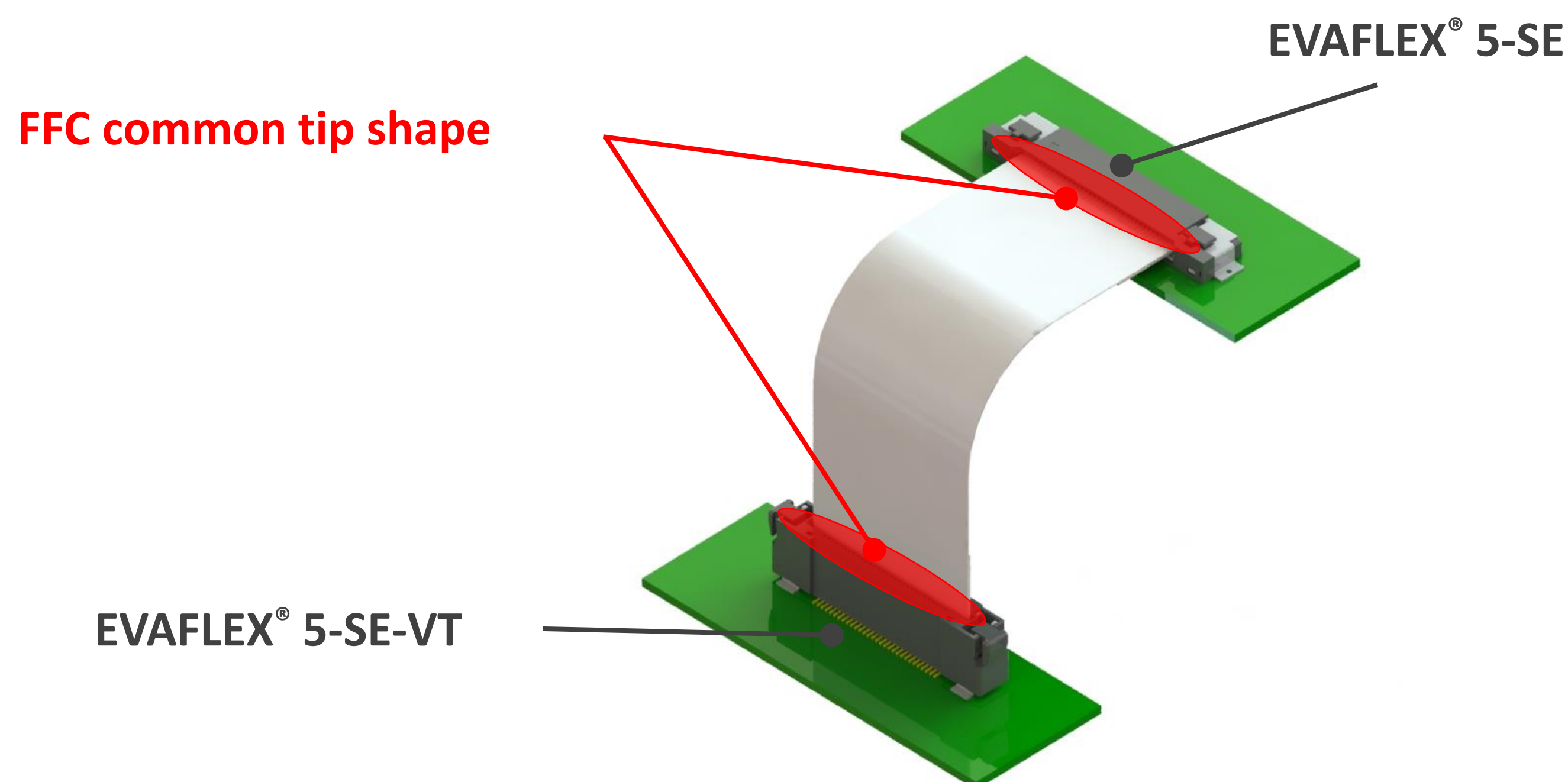
FPC/FFC Type	Non-shielded FFC/FPC
FPC/FFC Contact Point	Top
FPC/FFC Thickness (mm)	FFC : 0.30 +/- 0.05
	FPC : 0.30 +/- 0.03



▶ Operator friendly auto-locking design, ideal for hand or robotic assembly



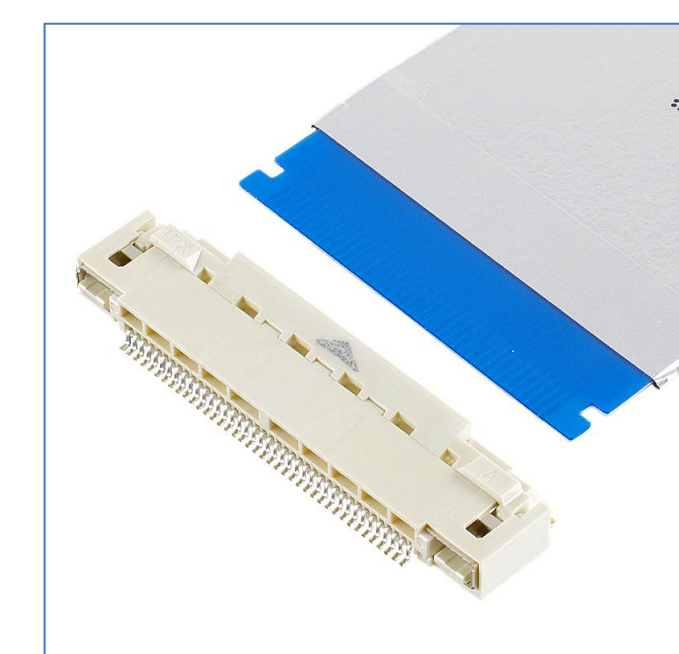
▶ Vertical mate type using the same FFC option as EVAFLEX® 5-SE-VT



▶ Scalable EVAFLEX® family : Auto-lock connector with many other options available

Higher speed and durable to high temp (125°C) : EVAFLEX® 5-SE-G HT

	EVAFLEX® 5-SE-G HT
Height (mm)	6.60 +/- 01
Operation Temperature	up to 125°C
Reference Performance	V-by-one HS 1.4 (4+ Gbps)

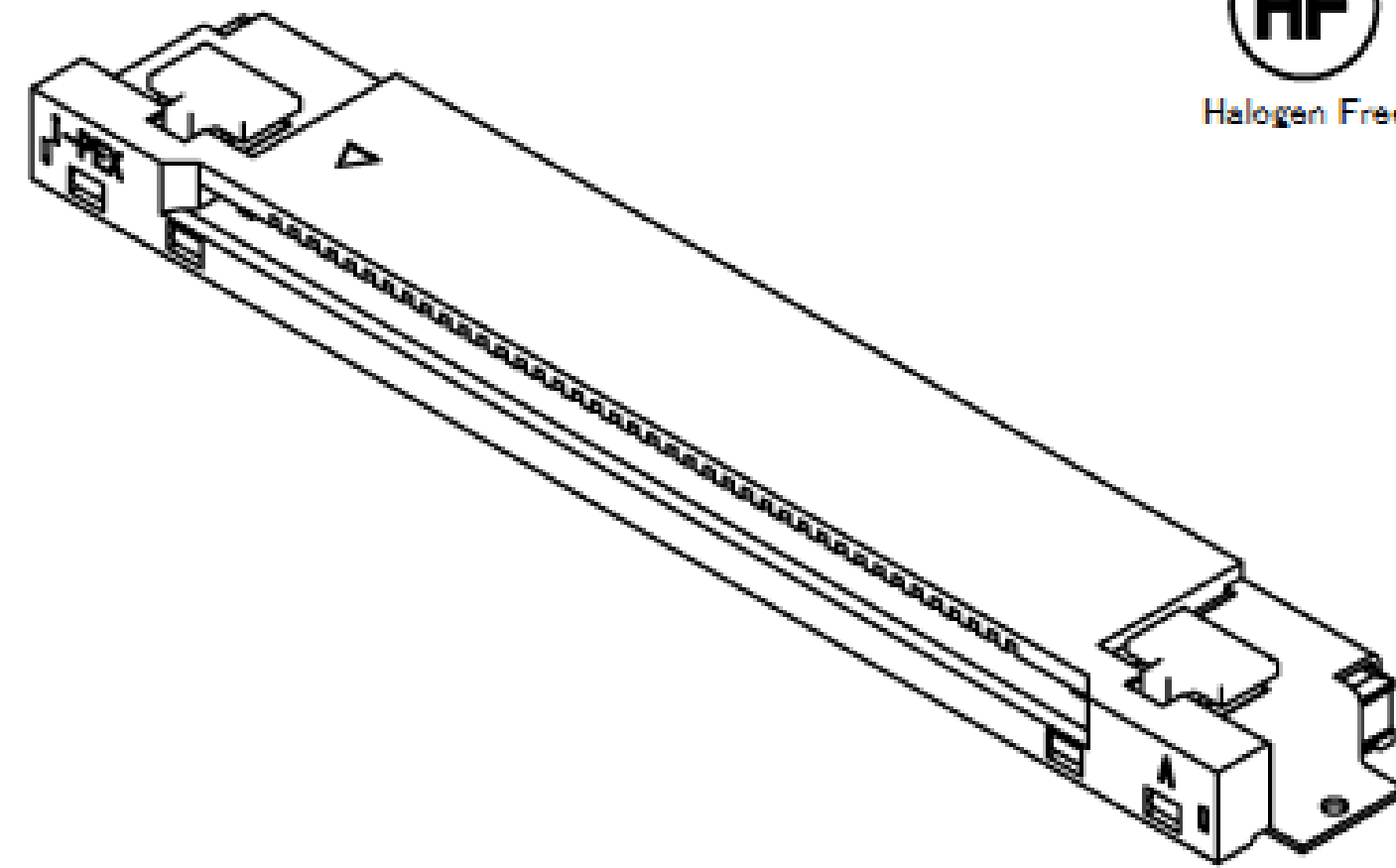
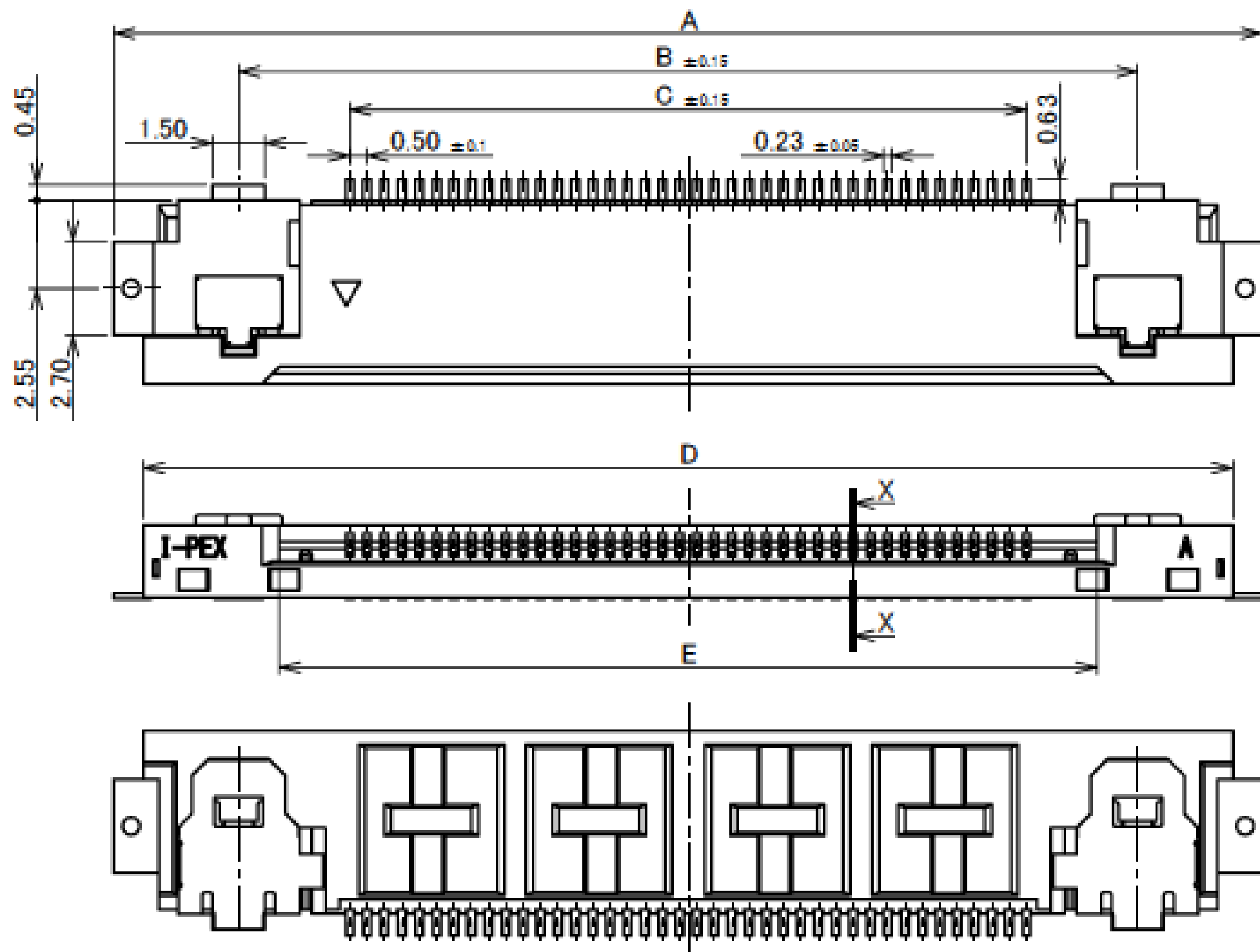


Component Parts Details

Connector Assembly

Recommended P/N		20526-0**E-01				
PART NO.	Pos.	A	B	C	D	E
20526-010E-01	10	18.10	10.90	4.50	16.40	8.56
20526-015E-01	15	20.60	13.40	7.00	18.90	11.06
20526-022E-01	22	24.10	16.90	10.50	22.40	14.56
20526-030E-01	30	28.10	20.90	14.50	26.40	18.56
20526-040E-01	40	33.10	25.90	19.50	31.40	23.56
20526-045E-01	45	35.60	28.40	22.00	33.90	26.06
20526-050E-01	50	38.10	30.90	24.50	36.40	28.56
◆20526-055E-01	55	40.60	33.40	27.00	38.90	31.06
20526-060E-01	60	43.10	35.90	29.50	41.40	33.56

◆ MARK MEANS NOT AVAILABLE



Halogen Free



RoHS Compliant

3	HOLD DOWN	PHOSPHOR BRONZE	SOLDERING AREA : Sn 2.00 μm MIN. OVER Ni 1.00 μm MIN.
2	CONTACT	PHOSPHOR BRONZE	CONTACT AREA : Au 0.10 μm MIN. OVER Ni 1.00 μm MIN. SOLDERING AREA : Au 0.03 μm MIN. OVER Ni 1.00 μm MIN.
1	HOUSING	LCP	UL94V-0 BLACK
NO.	DISCRIPTION	MATERIAL	FINISH , REMARKS

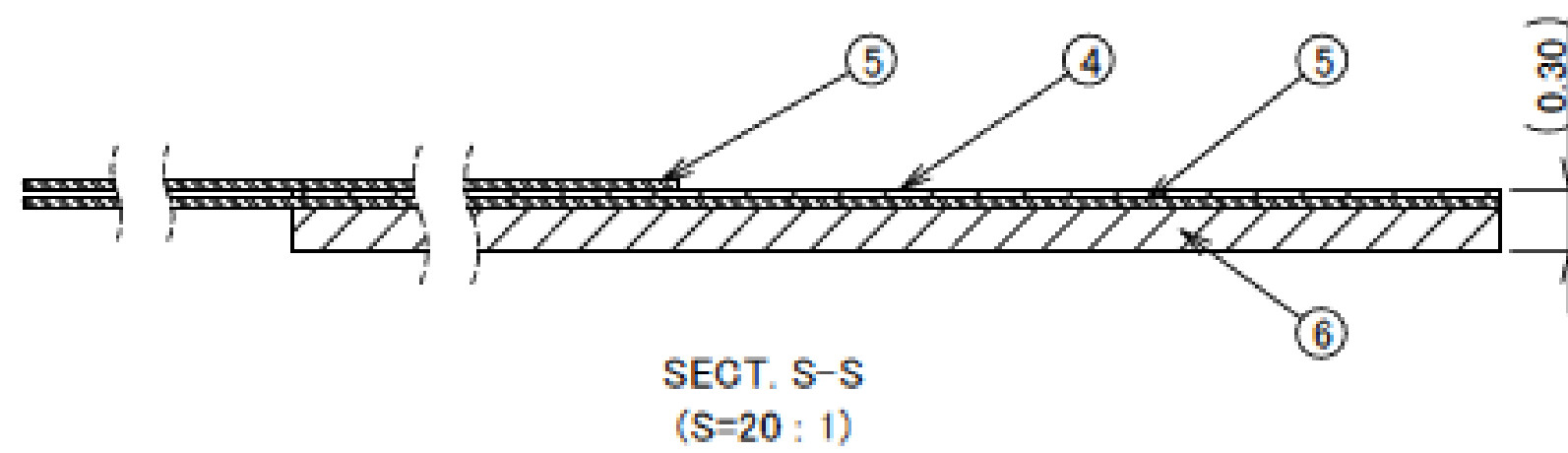
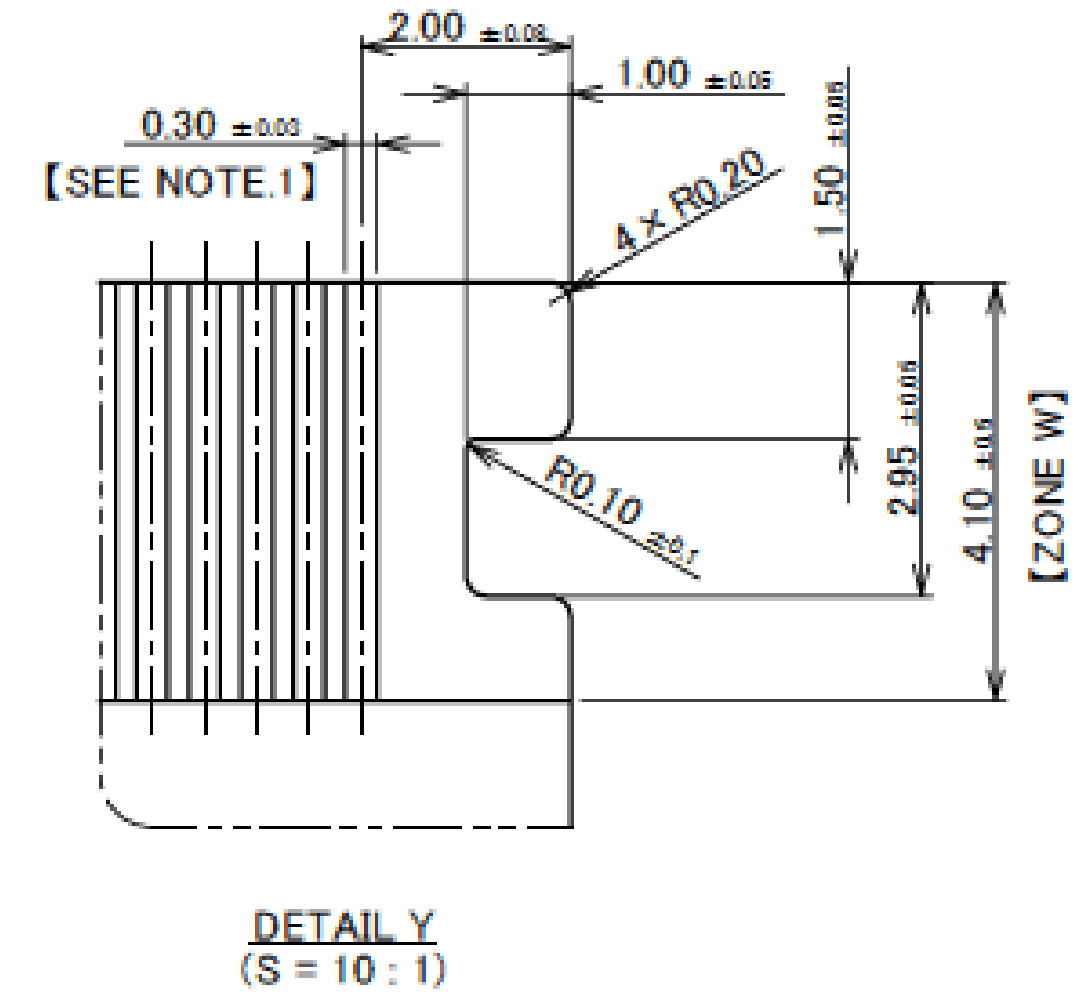
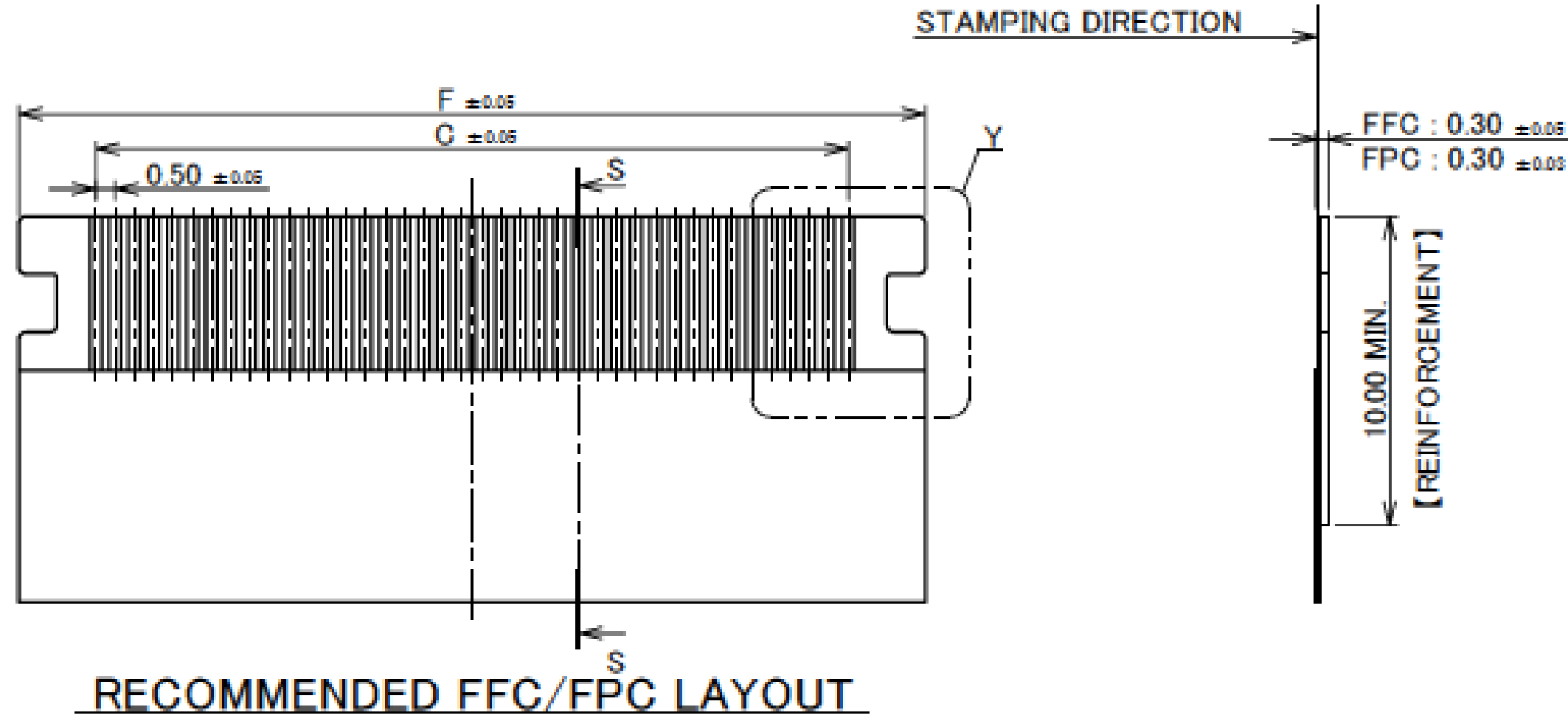
Rev.14

Connector Assembly

Recommended P/N 20526-0**E-01

PART NO.	Pos.	C	F
20526-010E-01	10	4.50	8.50
20526-015E-01	15	7.00	11.00
20526-022E-01	22	10.50	14.50
20526-030E-01	30	14.50	18.50
20526-040E-01	40	19.50	23.50
20526-045E-01	45	22.00	26.00
20526-050E-01	50	24.50	28.50
◆20526-055E-01	55	27.00	31.00
20526-060E-01	60	29.50	33.50

◆MARK MEANS NOT AVAILABLE



6	REINFORCED TAPE	ARBITRARY	
5	INSULATION FILM	ARBITRARY	
4	CONDUCTOR	COPPER ALLOY	CONTACT AREA: Au 0.05 μ m MIN. OVER Ni 0.5 μ m MIN.
NO.	DISCRIPTION	MATERIAL	FINISH

NOTES.

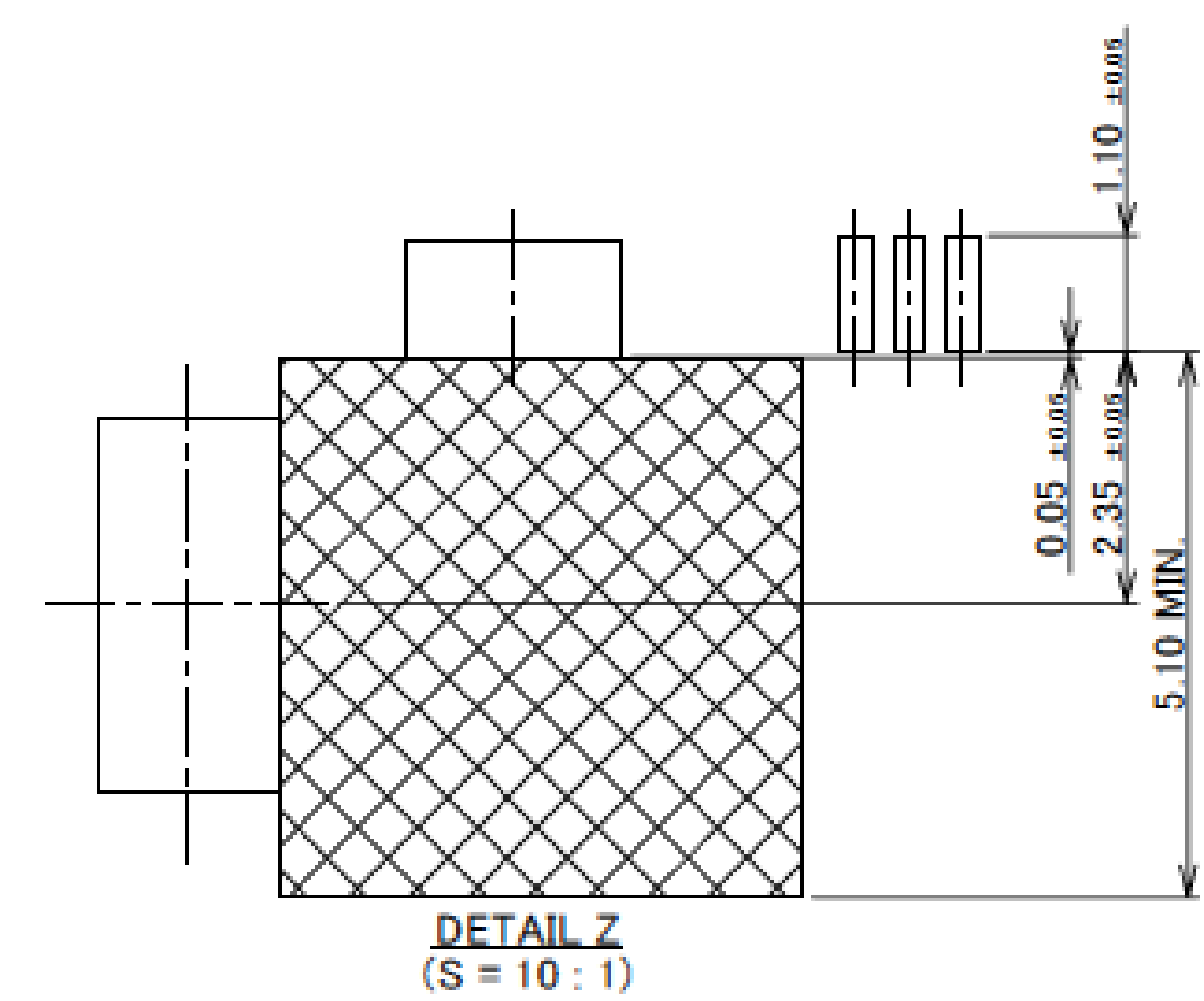
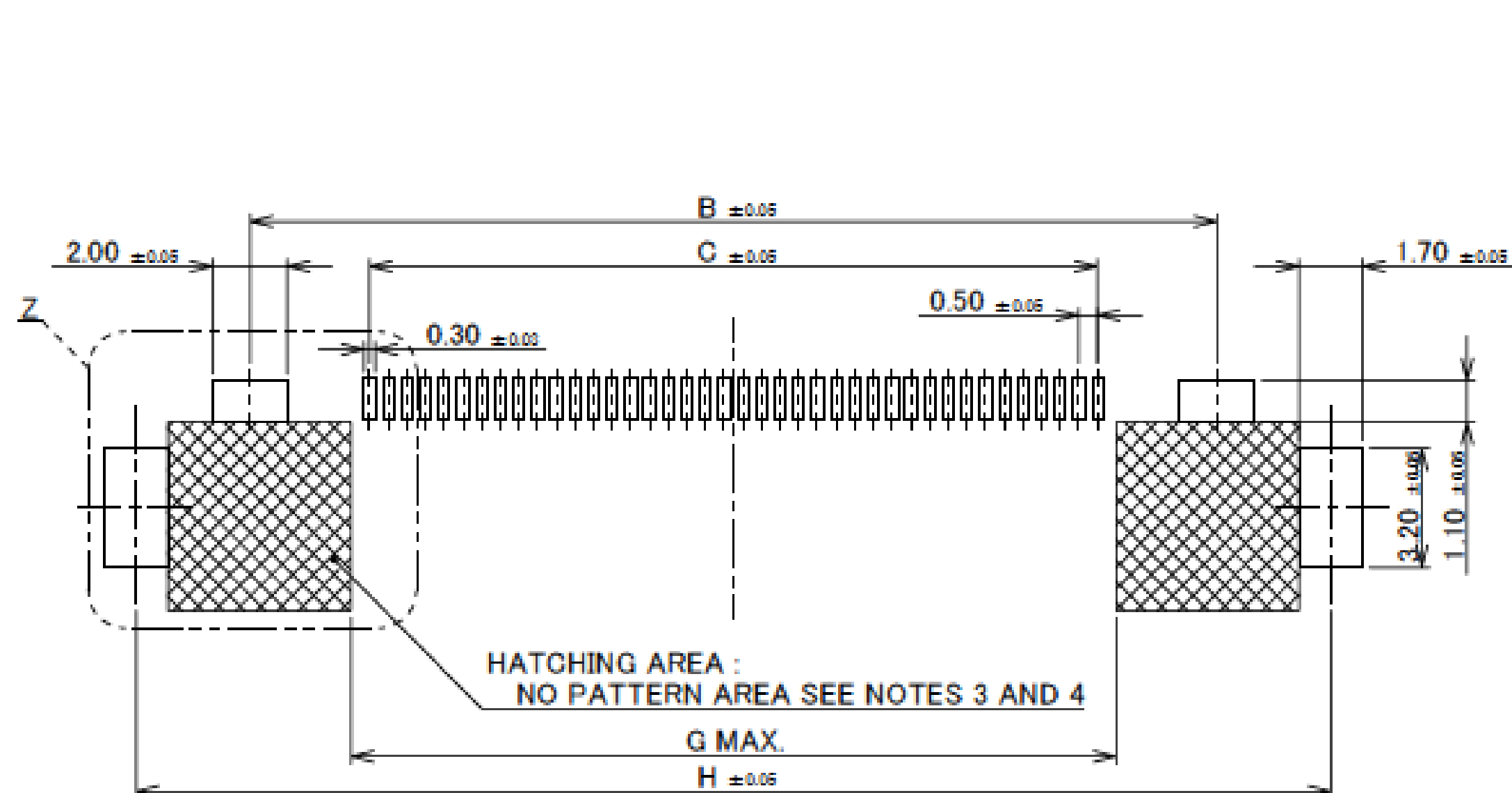
- CONTROL DIMENSION OF [ZONE W] WITH IN 0.30 ± 0.03
- SELECT A MATERIAL WITH A SOFTENING TEMPERATURE OF 85°C OR HIGHER FOR THE PATTERN ADHESIVE PART OF FFC.

Rev.14

Recommended P/N 20526-0**E-01

PART NO.	Pos.	B	C	G	H
20526-010E-01	10	10.90	4.50	5.50	17.00
20526-015E-01	15	13.40	7.00	8.00	19.50
20526-022E-01	22	16.90	10.50	11.50	23.00
20526-030E-01	30	20.90	14.50	15.50	27.00
20526-040E-01	40	25.90	19.50	20.50	32.00
20526-045E-01	45	28.40	22.00	23.00	34.50
20526-050E-01	50	30.90	24.50	25.50	37.00
◆20526-055E-01	55	33.40	27.00	28.00	39.50
20526-060E-01	60	35.90	29.50	30.50	42.00

◆MARK MEANS NOT AVAILABLE

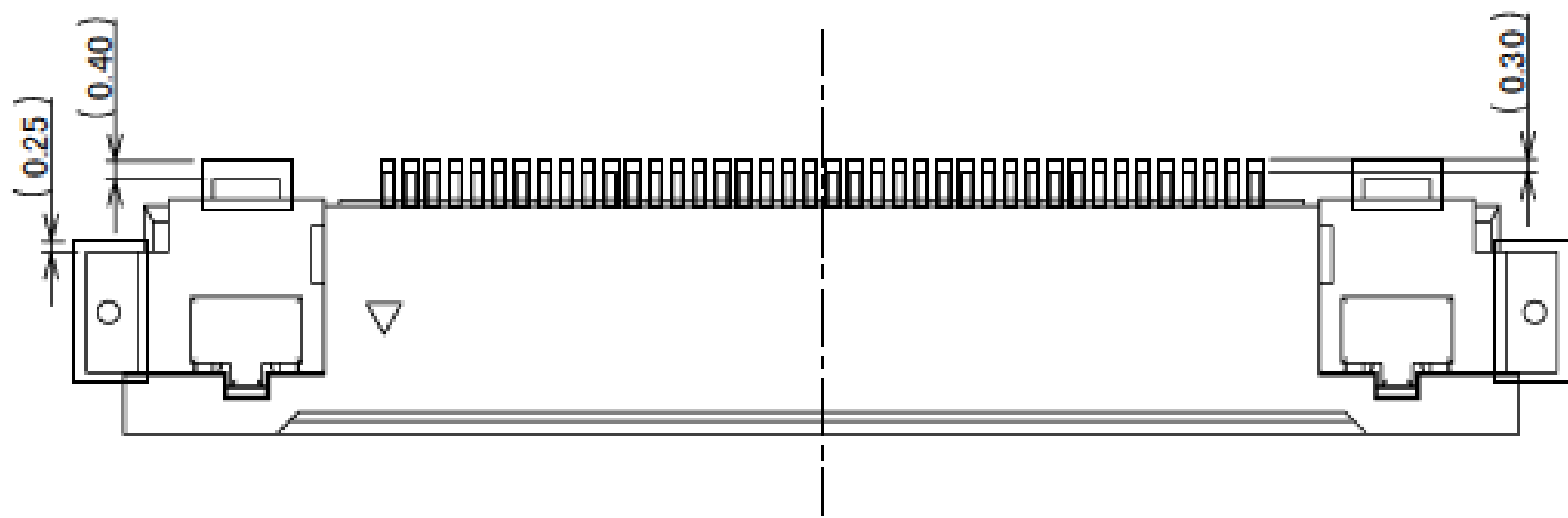


NOTES.

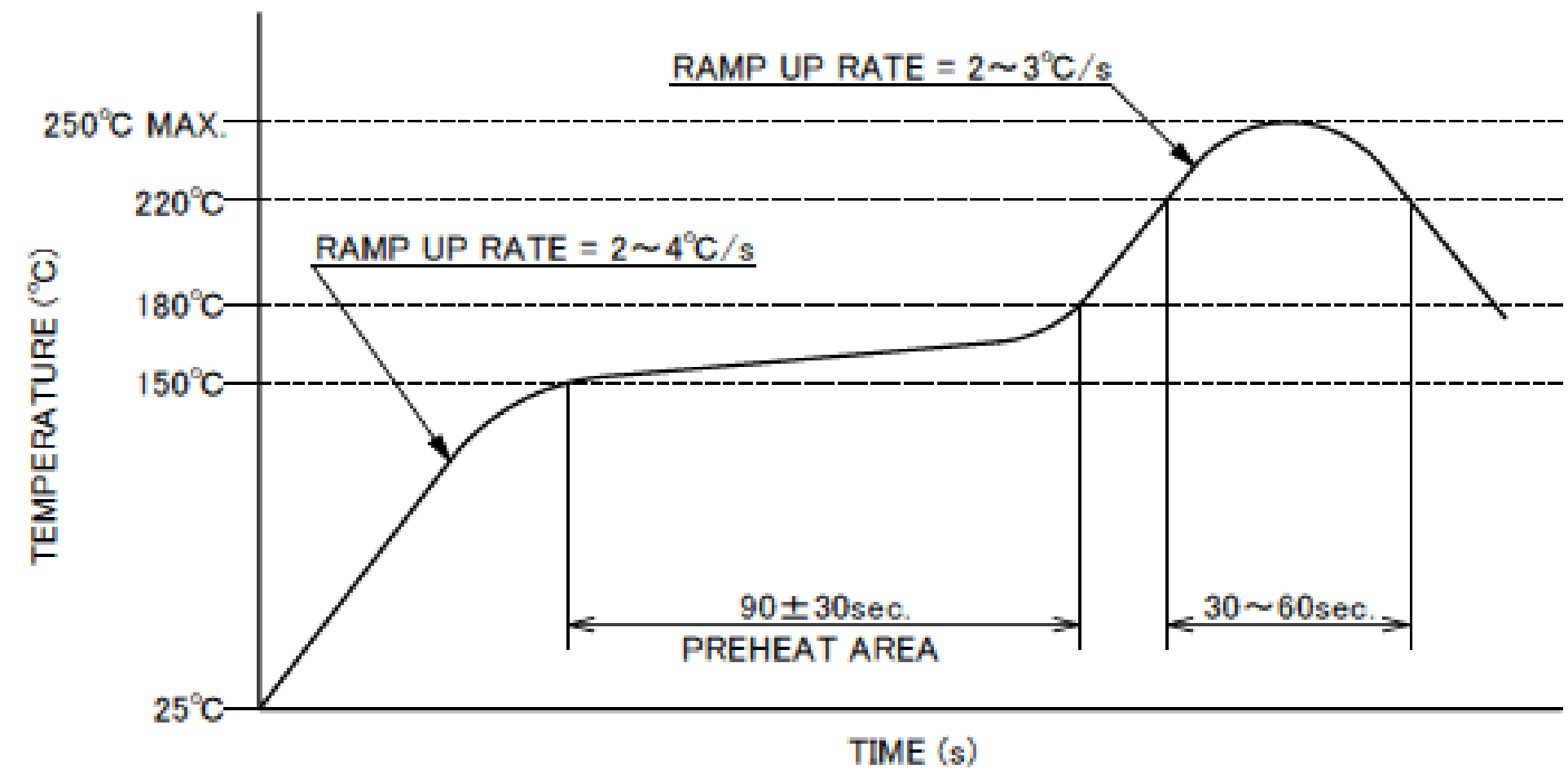
- DO NOT MOUNT ANOTHER COMPONENTS IN THIS AREA.
- SOLDER RESIST MUST BE APPLIED TO THIS AREA.

Rev.14

Connector Assembly



CONNECTOR ON RECOMMENDED FOOTPRINT PATTERN



REFLOW TEMPERATURE PROFILE
SENJU METAL INDUSTRY CO., LTD. : M705-SHF(Sn96.5 Ag3.0 Cu0.5)

Rev.14

ITEMS	SPECIFICATION
RATING VOLTAGE	50V AC/DC (PER CONTACT PIN)
RATING AMPERAGE (FOR CONTACT)	0.50A AC/DC (PER CONTACT PIN) ※(AVAILABLE UP TO 15PIN) / 0.35A AC/DC(PER CONTACT PIN) ※(AVAILABLE FOR ALL PIN)
OPERATING TEMPERATURE	Using FFC : 233~358K(-40°C~+85°C) Using FPC : 233~398K(-40°C~+125°C)
OPERATING HUMIDITY	85% MAX.(NON-CONDENSING)
CONTACT RESISTANCE	INITIAL : 70mohm MAX. / AFTER TEST : $\leq 140\text{mohm}$ MAX.
INSULATION RESISTANCE	INITIAL : 500Mohm MIN. / AFTER TEST : 500Mohm MIN.
DIELECTRIC WITHSTANDING VOLTAGE	AC 250V 1min
DURABILITY	30 CYCLES
MATING FORCE (INITIAL / AFTER TEST)	10P : 6.0N MAX. 15P : 9.0N MAX. 22P : 13.2N MAX. 30P : 18.0N MAX. 40P : 24.0N MAX. 45P : 27.0N MAX. 50P : 30.0N MAX. 55P : 33.0N MAX. 60P : 36.0N MAX.
UNMATING FORCE (INITIAL / AFTER TEST)	10P : 0.90N MIN. 15P : 1.35N MIN. 22P : 1.98N MIN. 30P : 2.70N MIN. 40P : 3.60N MIN. 45P : 4.05N MIN. 50P : 4.50N MIN. 55P : 4.95N MIN. 60P : 5.40N MIN.
COPLANARITY	0.10mm MAX.
PRODUCT SPECIFICATION	PRS-1562
TEST REPORT	TR-10048
PACKING STANDARD	300-861
INSTRUCTION MANUAL	HIM-10008
APPEARANCE CRITERIA No.	QLS-A***


Rev.14

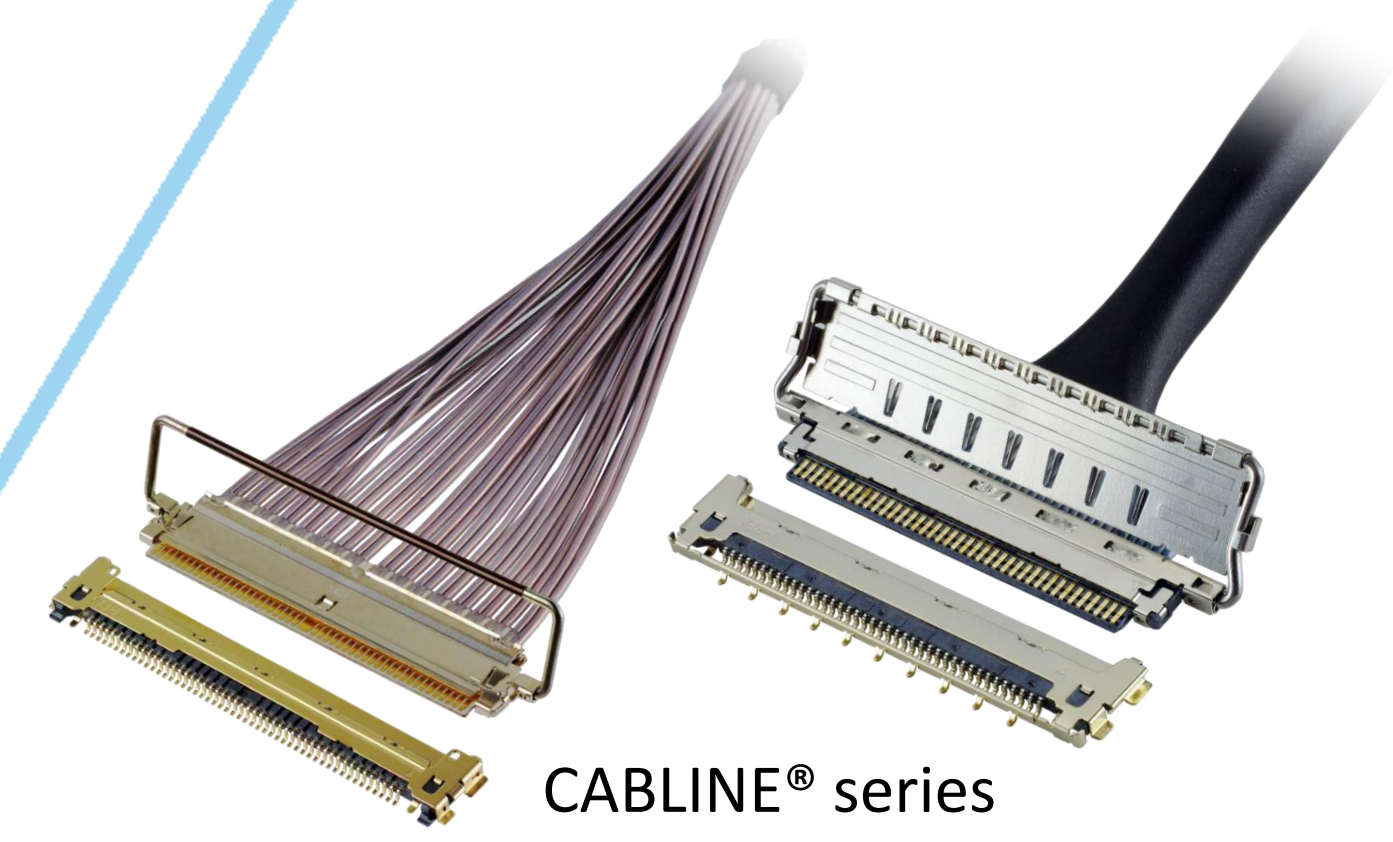
Custom Connectors Available

 RF Connector

MHF® series



 CABLINE® series
Micro-coaxial/Twinax/
Discrete Wire Connector



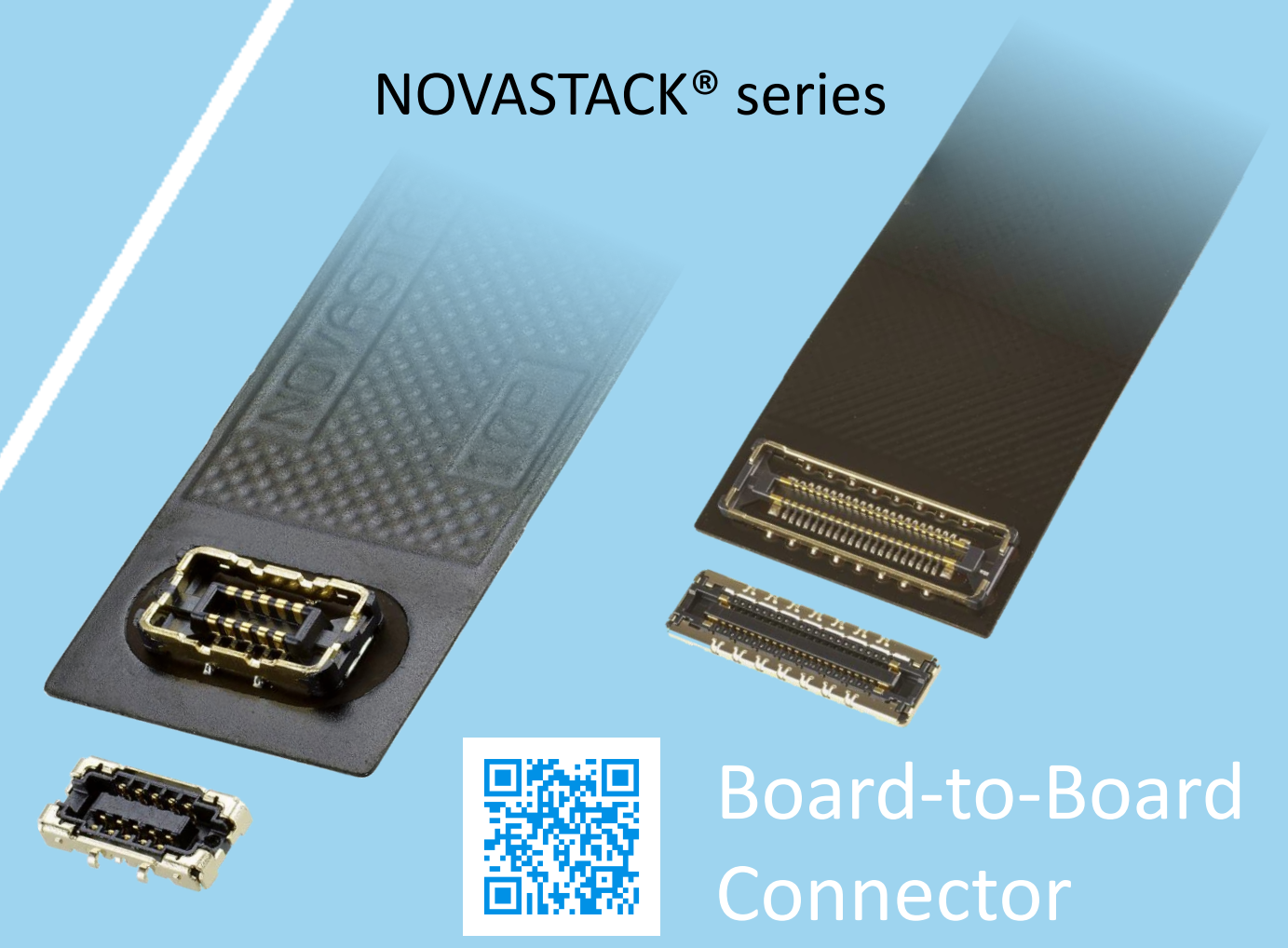
 Optical Module

LIGHTPASS® series



NOVASTACK® series

 Board-to-Board Connector



 Power Connector/
Terminal

AP series

ISH® series



MINIFLEX® series

EVAFLEX® series

 FPC FFC
Connector

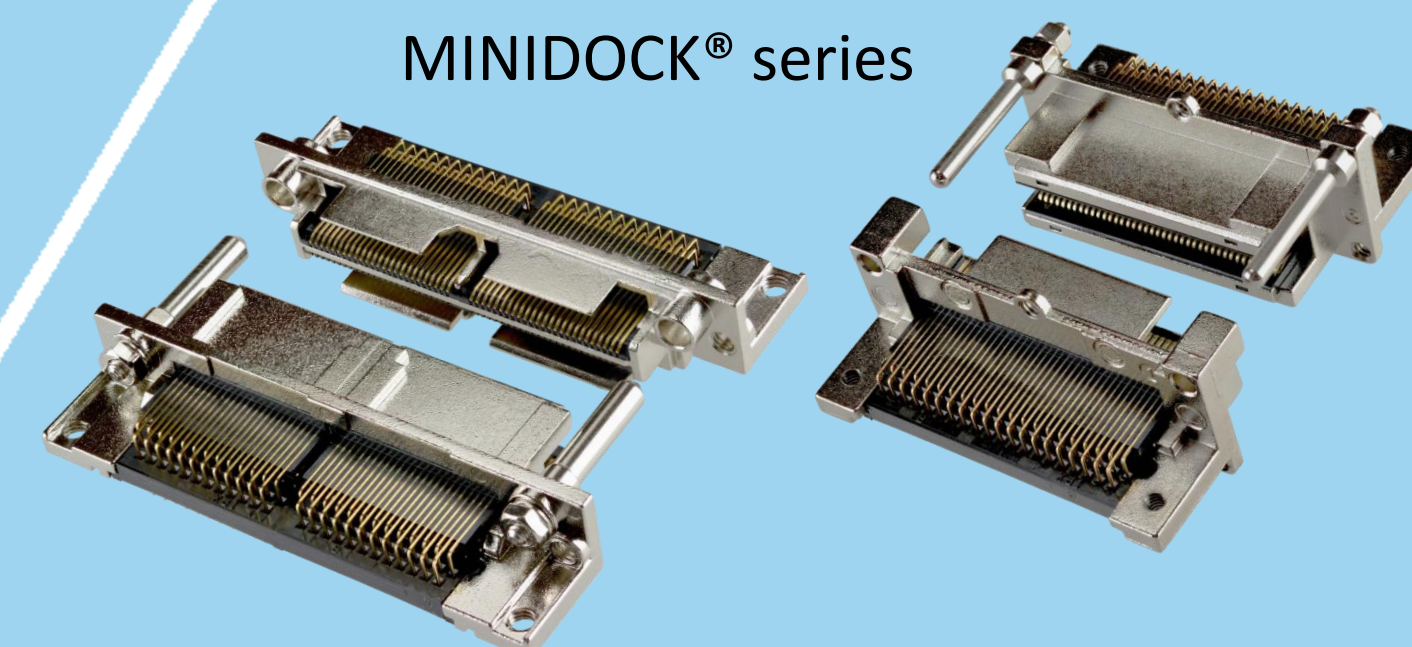


Inquiry



MINIDOCK® series

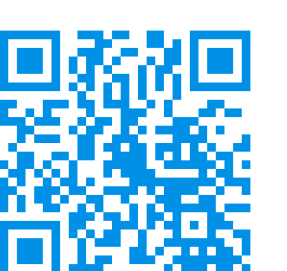
 I/O
Connector



I-PEX, MHF, CABLINE, LIGHTPASS, NOVASTACK, ISH, IARPB, MINIFLEX, EVAFLEX, MINIDOCKS and ZenShield are registered trademarks of I-PEX Inc. Please note that the contents in the catalog might be changed without prior notification. I-PEX Inc. assumes no responsibility for any inaccuracies or obligation to update information on these documents. Please be sure to read and understand the latest "Precautions for Use" and "Instruction Manual" before you use our products. We shall not be responsible for any defects, damages or troubles in case you use our products without following the precautions for use. Please feel free to contact our sales representatives when you use our products for any applications that require very high reliability and safety, or that relate to human life (ex. nuclear power control, aerospace, transportation, medical equipment, safety equipment etc.).

Contact your sales representative or more detailed information.

www.i-pex.com



I-PEX

© I-PEX Inc. 2024
All rights reserved