

EVAFLEX® 5-SE-G VT

单手作业的自动锁扣特色, 高温环境(125°C), 高速数据传输, 垂直插拔, 0.5 mm 间距带屏蔽的FFC/FPC连接器



Product Specifications:

Board Pitch (mm)	0.5	
Wiping Length (mm)	1.2	
Size (mm)	Height	6.6 +/- 0.30
	Width	Formula: 8.00 + (0.5*?p)
	Depth	3.90 +/- 0.20
Pin counts	Range	20 - 60
	Available	20, 30, 40, 50, 60

Applicable FPC/FFC:

FPC/FFC Type	Shielded FFC, Non-shielded FFC/FPC
FPC/FFC Contact Point	Signal contact tail side
FPC/FFC Thickness (mm)	0.30 +/- 0.03

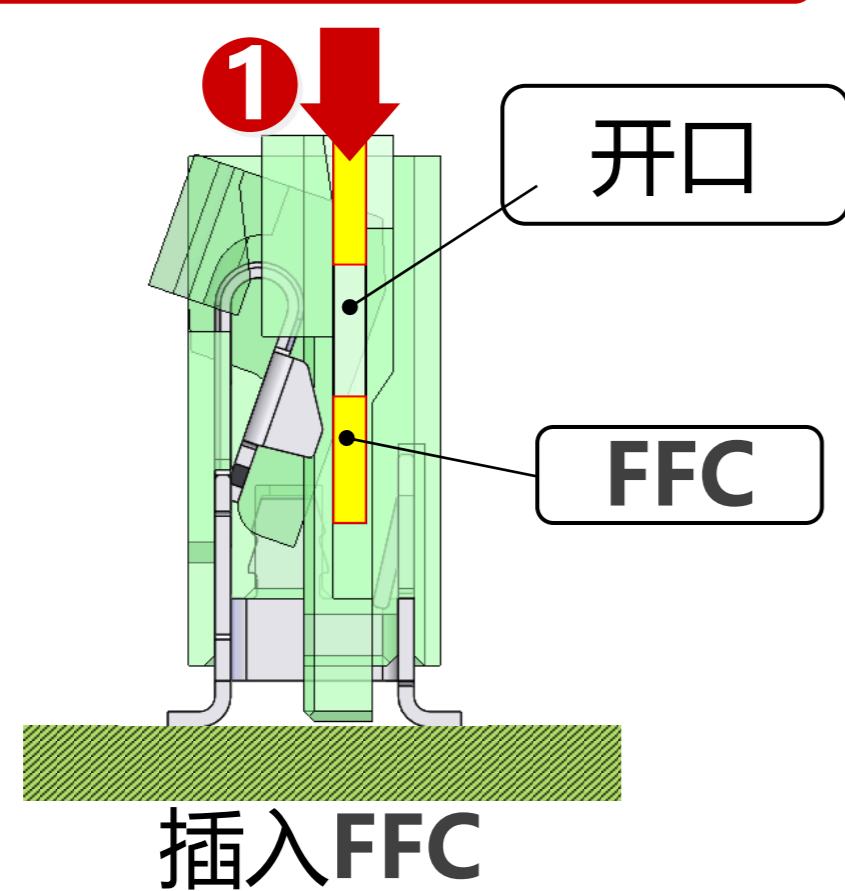
Applicable Standards (Reference Only):

eDP (2.7 Gbps) V-By-One HS 1.4 (4 Gbps)
USCAR II Vibration & Shock V1

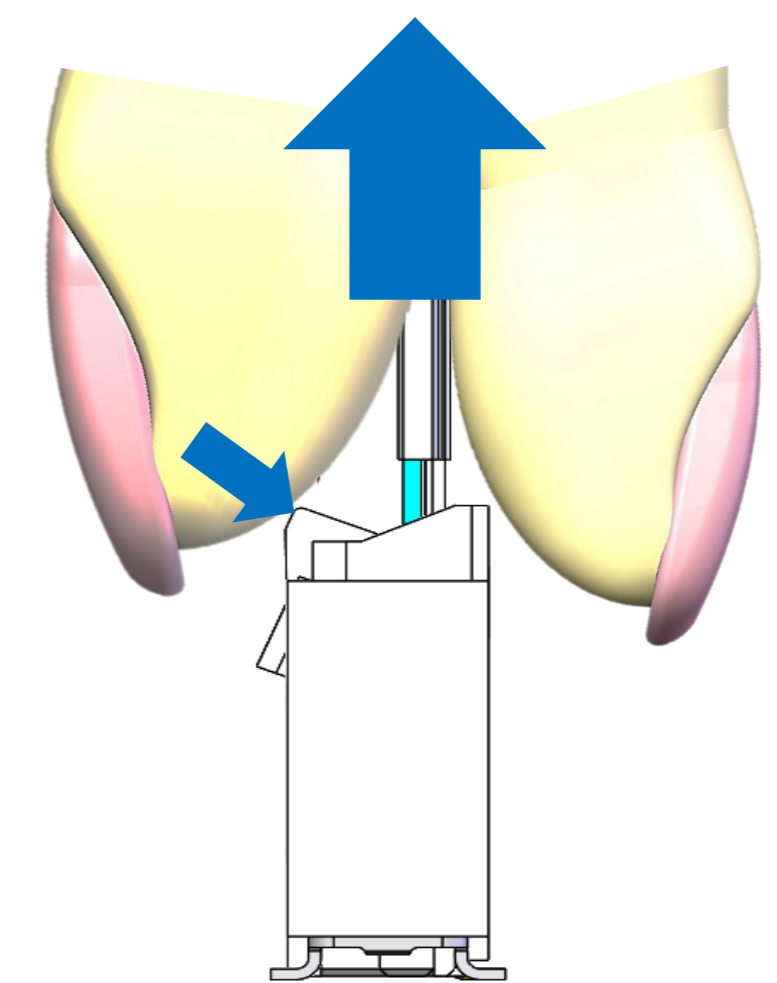
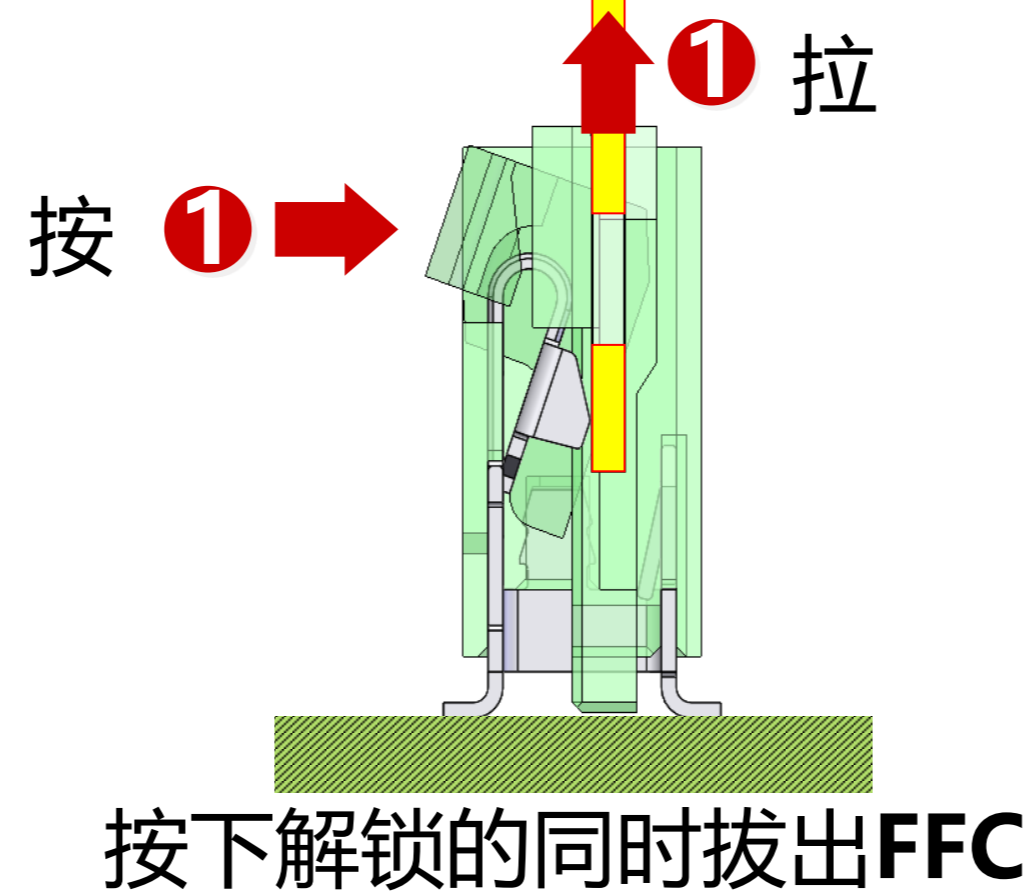
*如您需要了解未列出或不在范围内的Pin数, 请咨询我们。

自动锁扣的设计可实现单手作业,适用于手动 或机器人装配

一步完成 FFC 插入

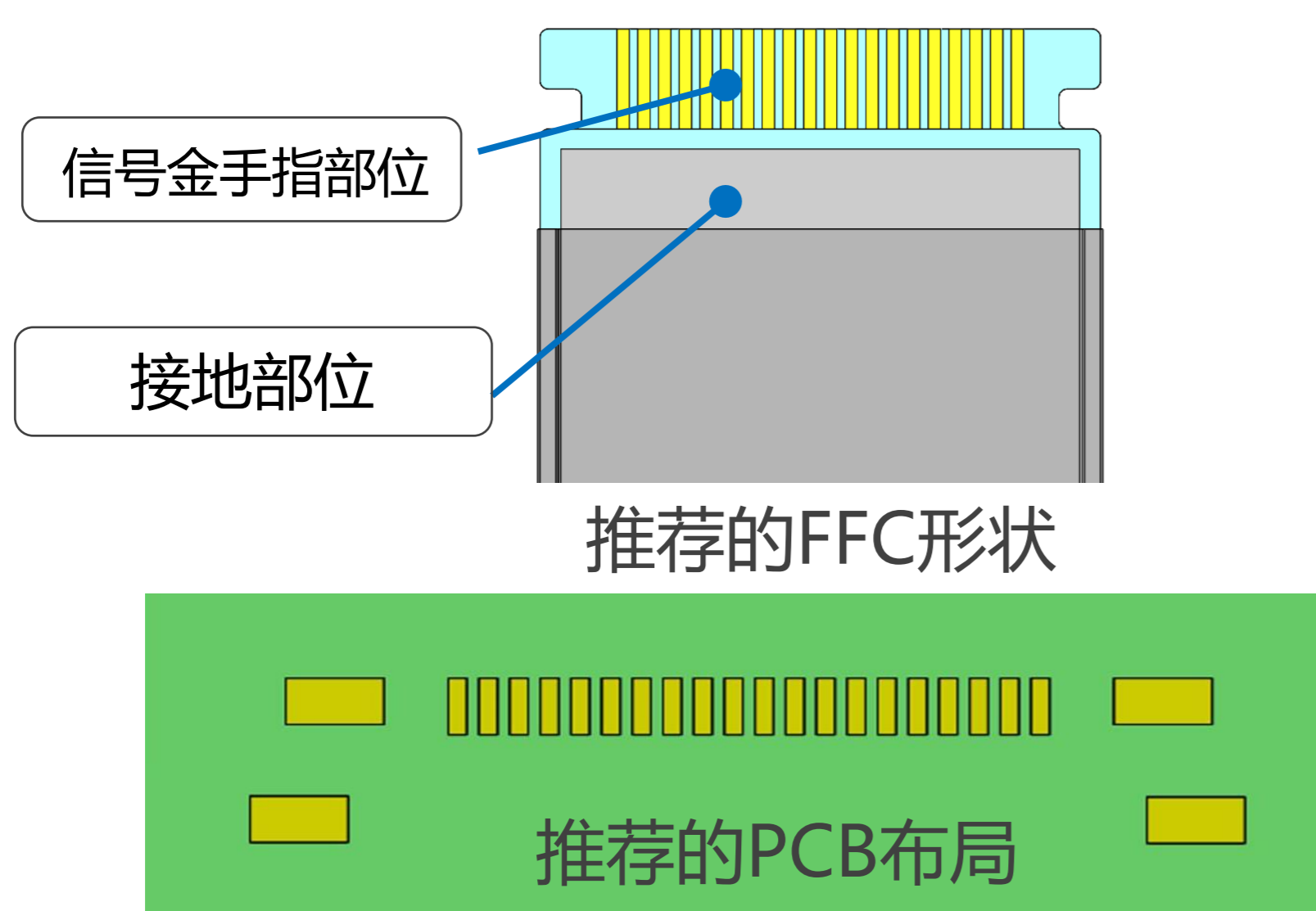


一步完成 FFC 拔出

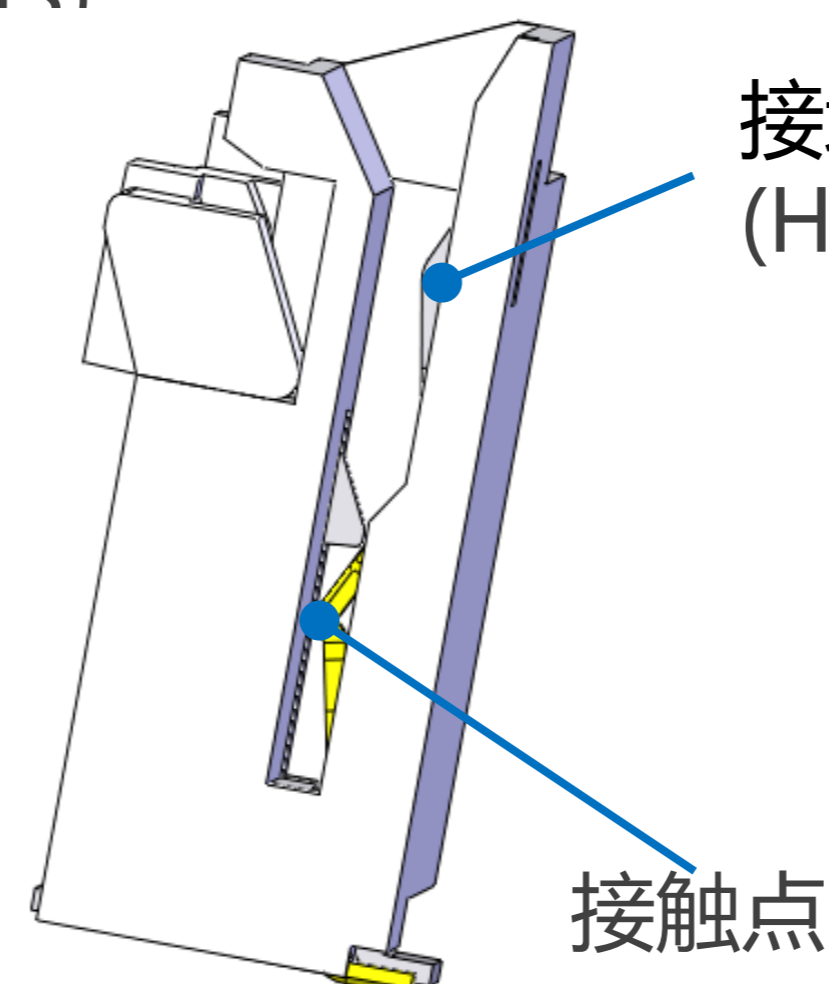


按下解锁机构同时就能拔出FFC, 使得单手作业成为可能

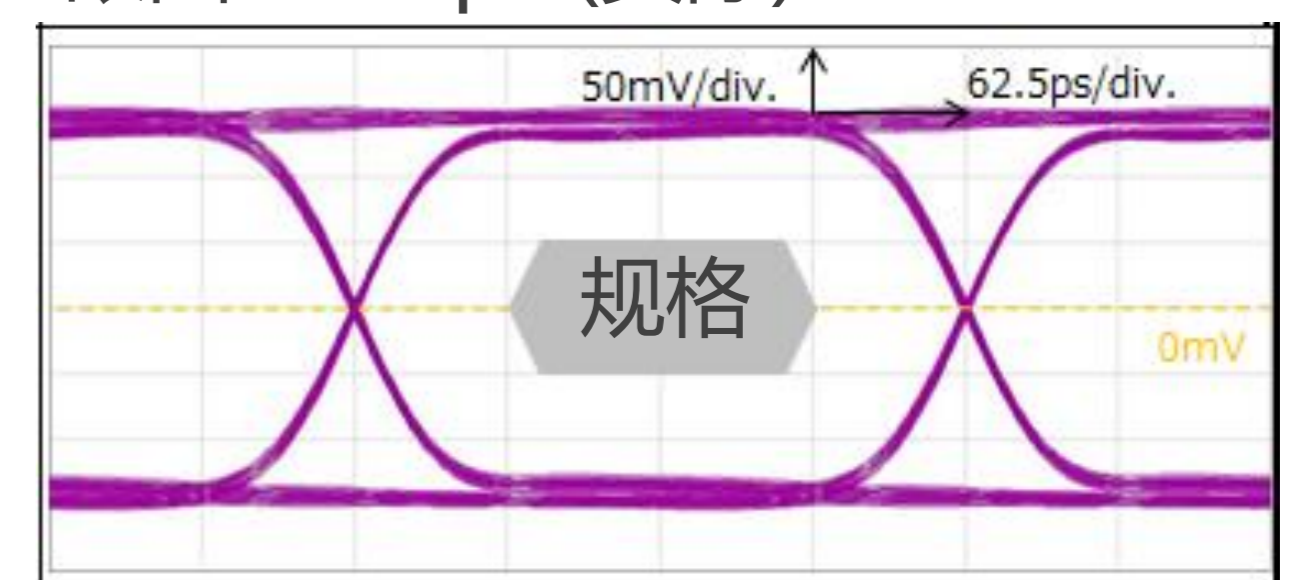
专为高速传输设计(4+ Gbps V-by-One® HS)



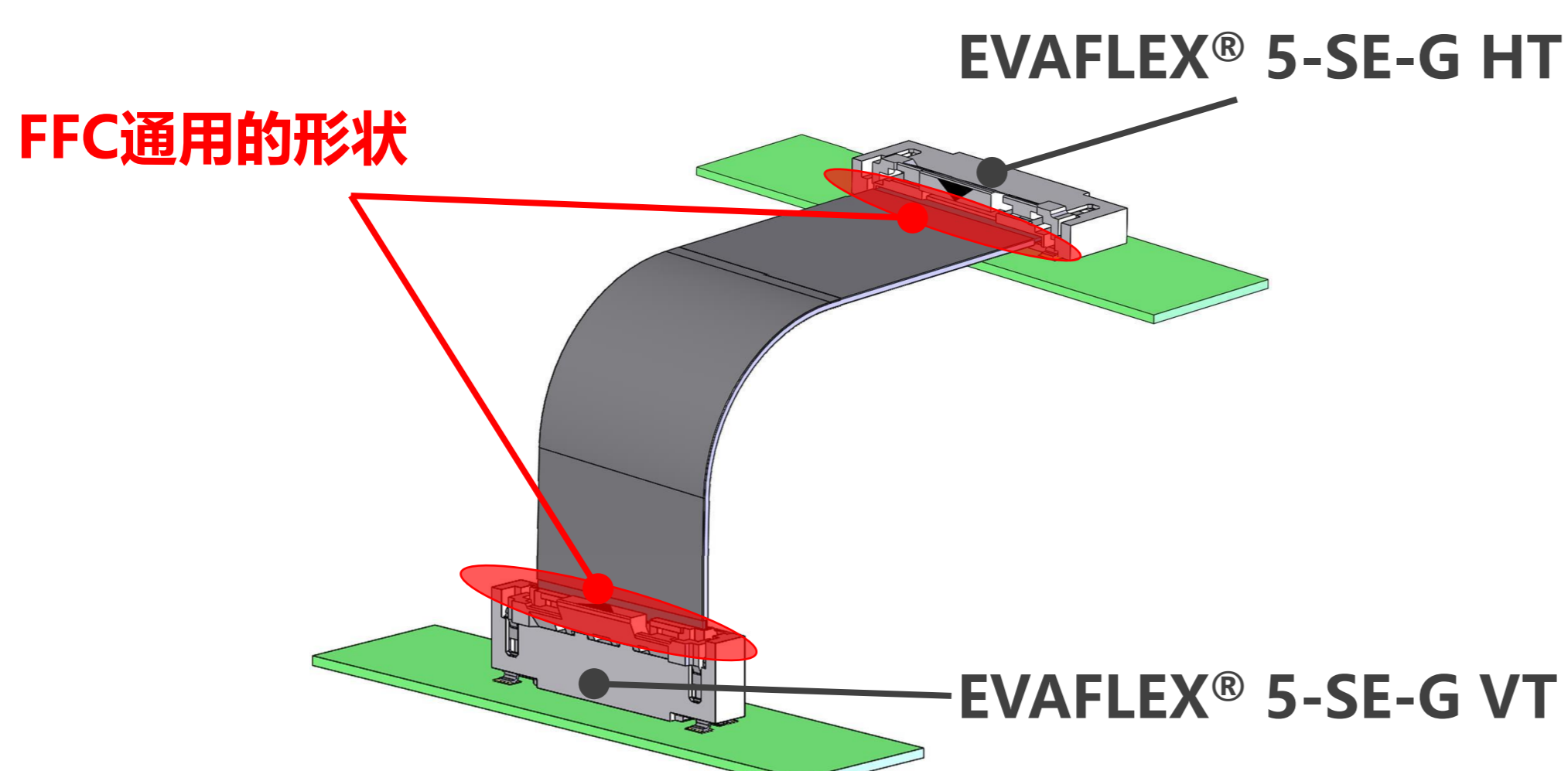
Hold Down结构带有接地pin可作为接地使用, 支持高速数据传输, 目标速度: 达到4+ Gbps (V-by-One® HS)



眼图 4 Gbps (实际)



水平插拔款使用相同的FFC : EVAFLEX® 5-SE-G HT



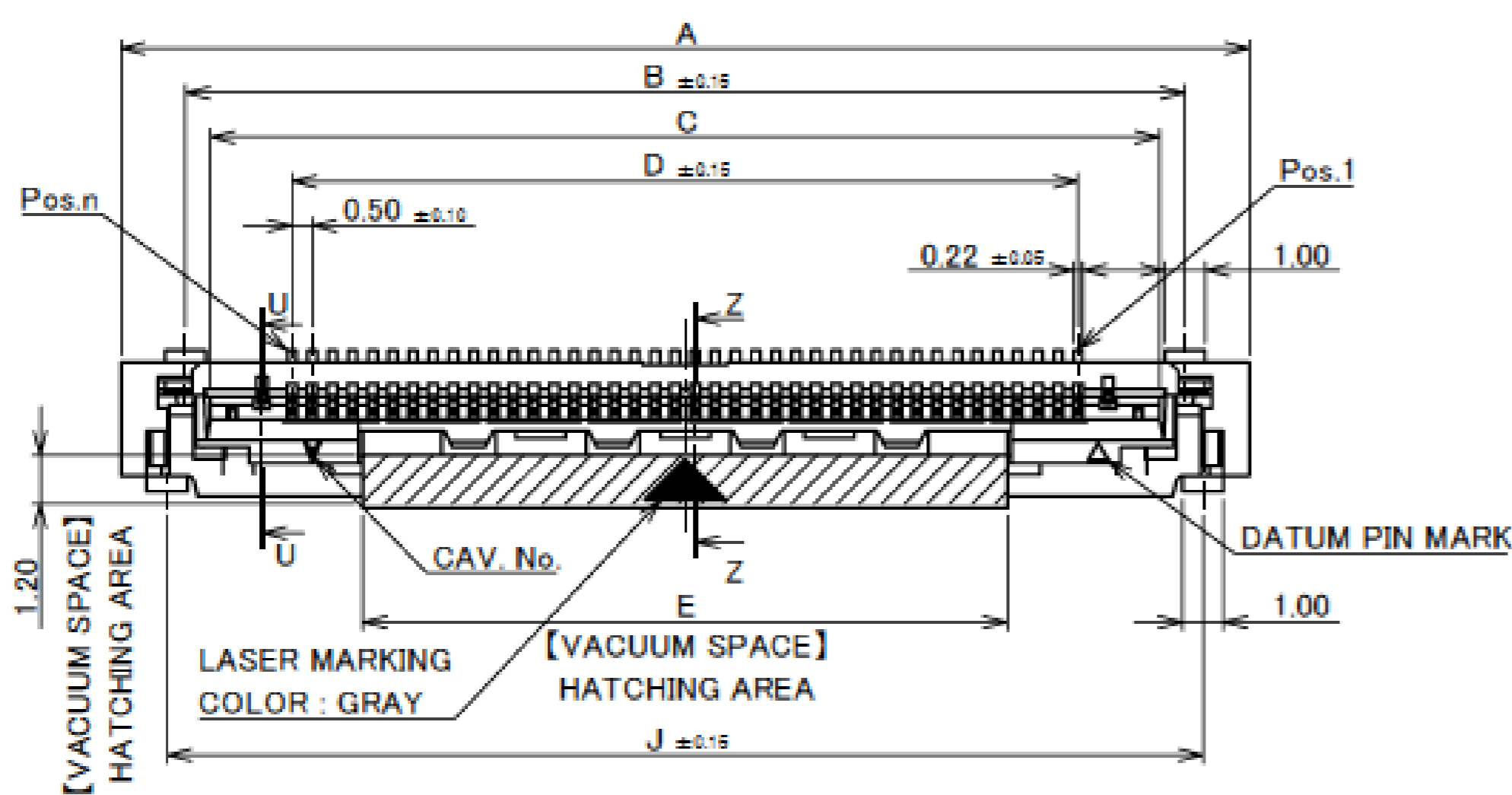
	EVAFLEX® 5-SE-G HT
高度 (mm)	3.65 +/- 0.1
深度 (mm)	7.0



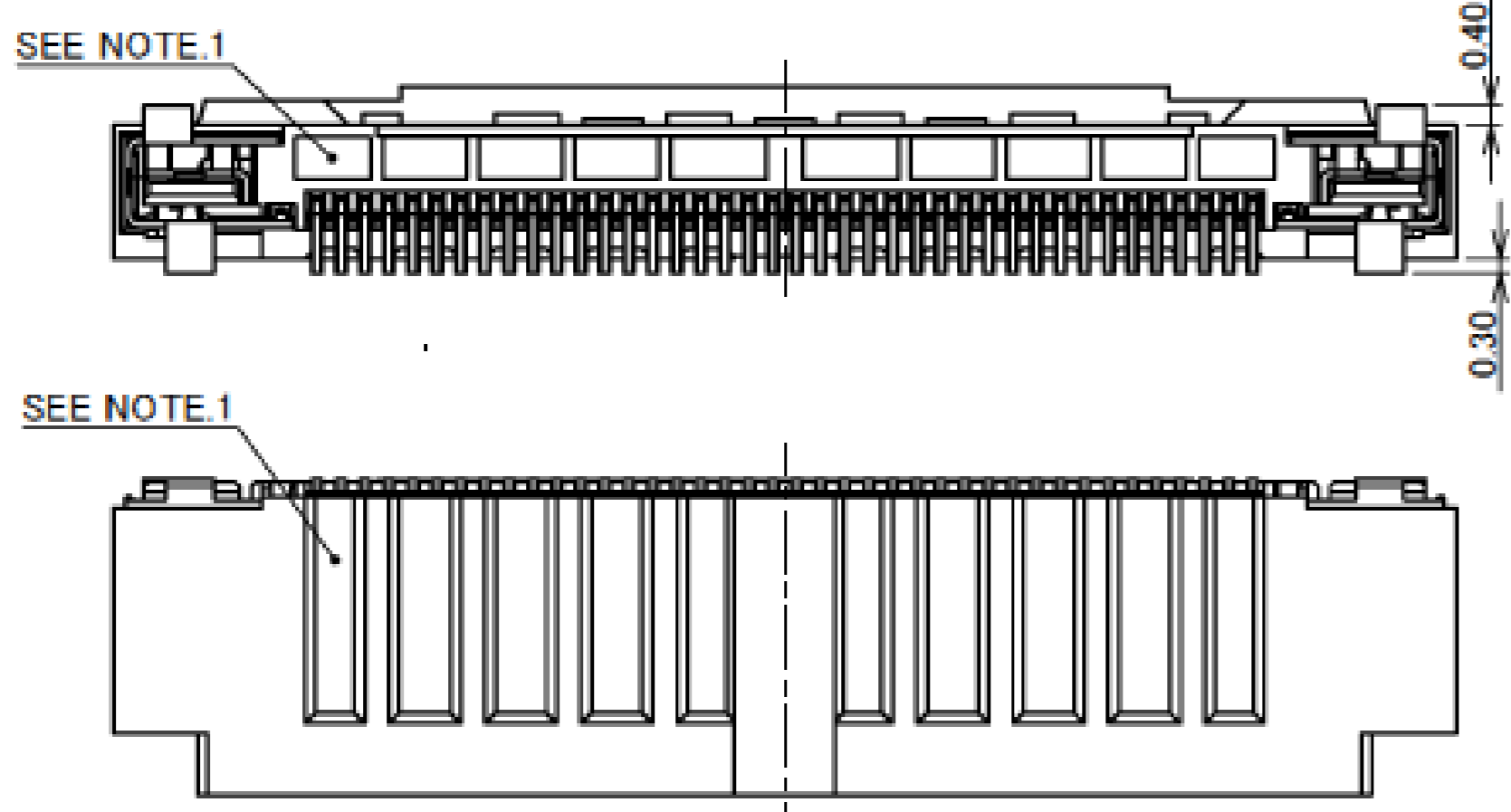
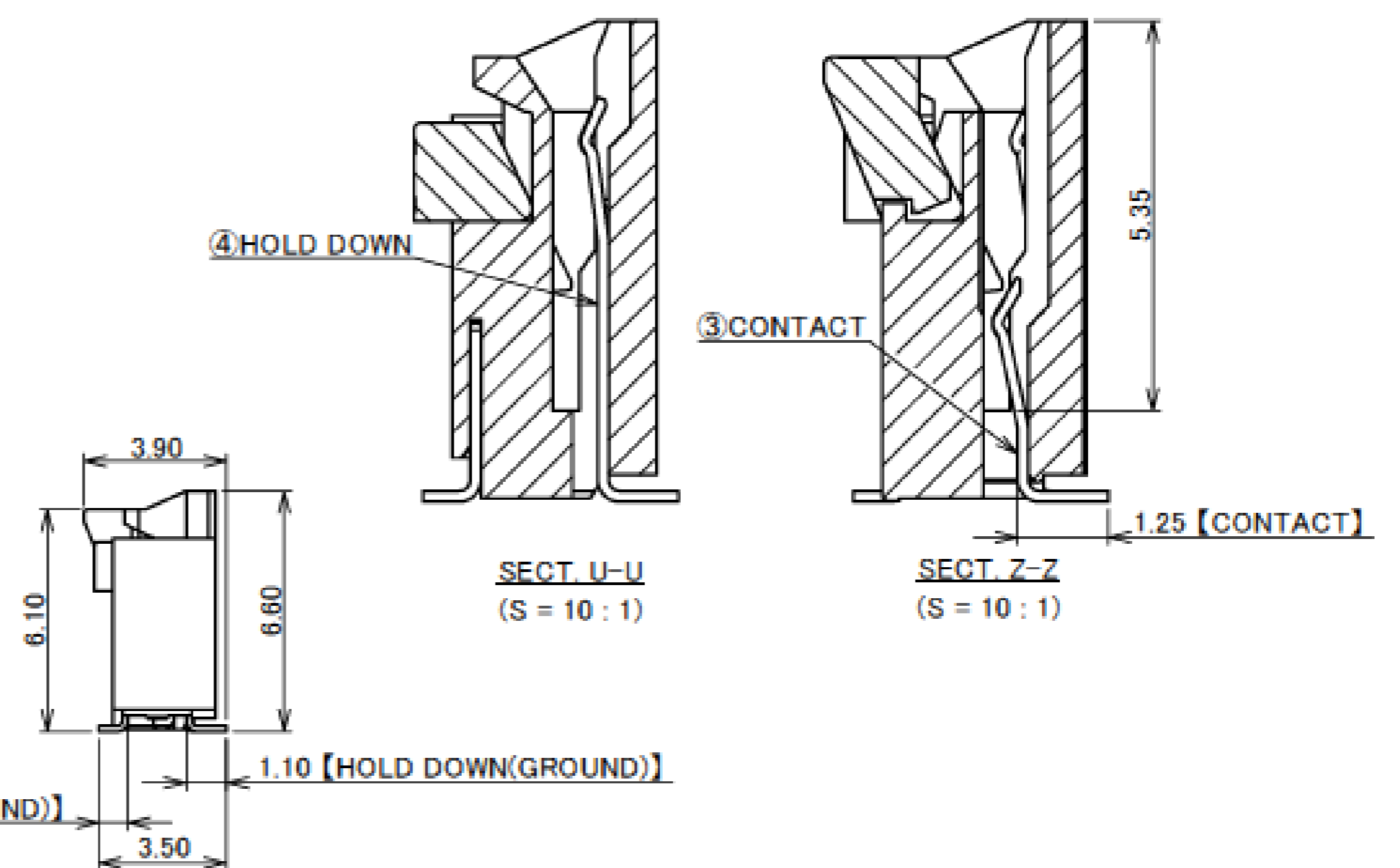
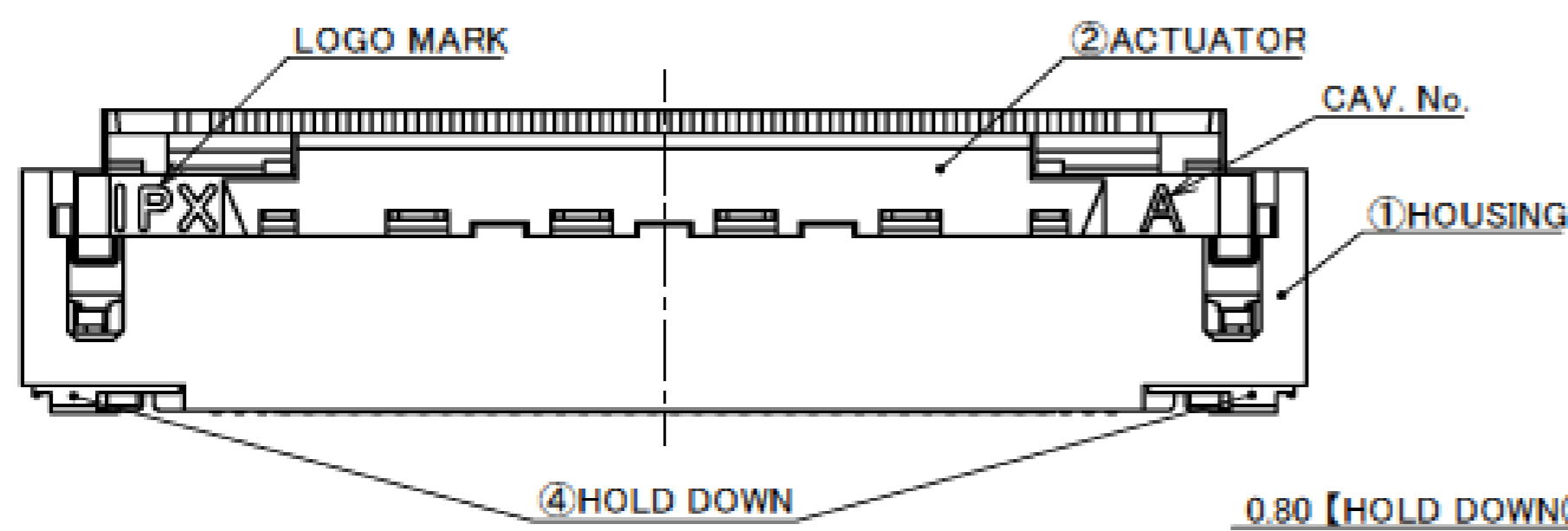
Component Parts Details

Connector Assembly

Recommended P/N 20799-0**E-01



PART No.	A	B	C	D	E	J
20799-020E-01	18.00	14.80	13.56	9.50	6.00	15.70
20799-030E-01	23.00	19.80	18.56	14.50	11.00	20.70
20799-040E-01	28.00	24.80	23.56	19.50	16.00	25.70
20799-050E-01	33.00	29.80	28.56	24.50	21.00	30.70
20799-060E-01	38.00	34.80	33.56	29.50	26.00	35.70



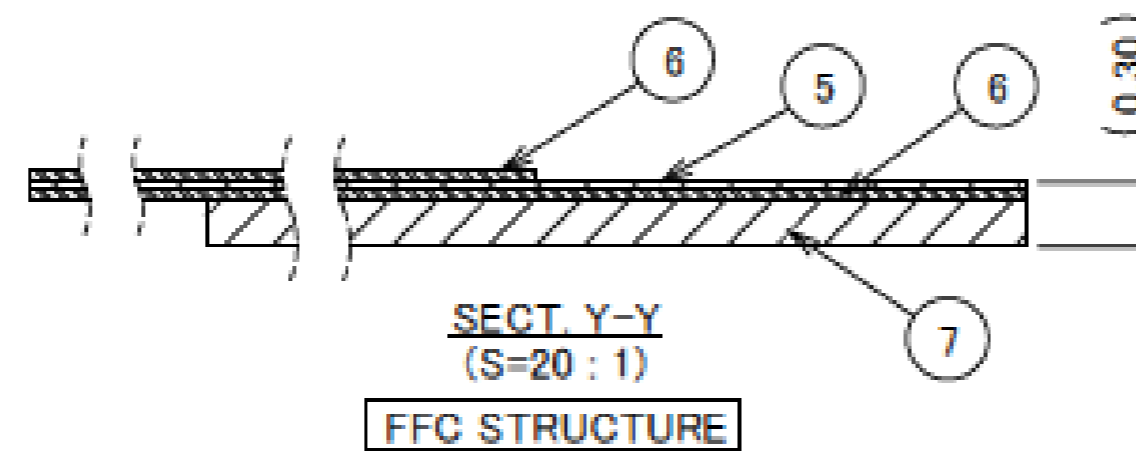
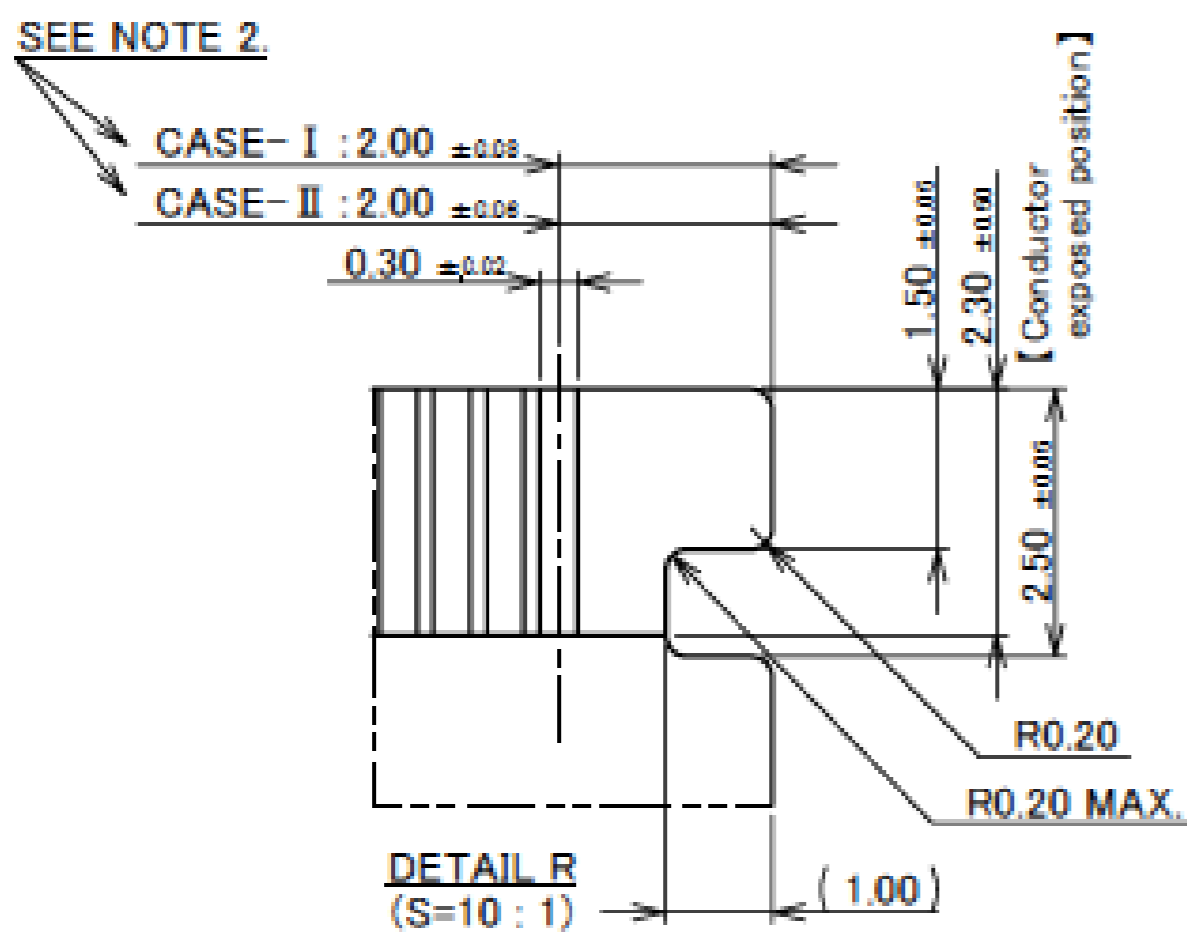
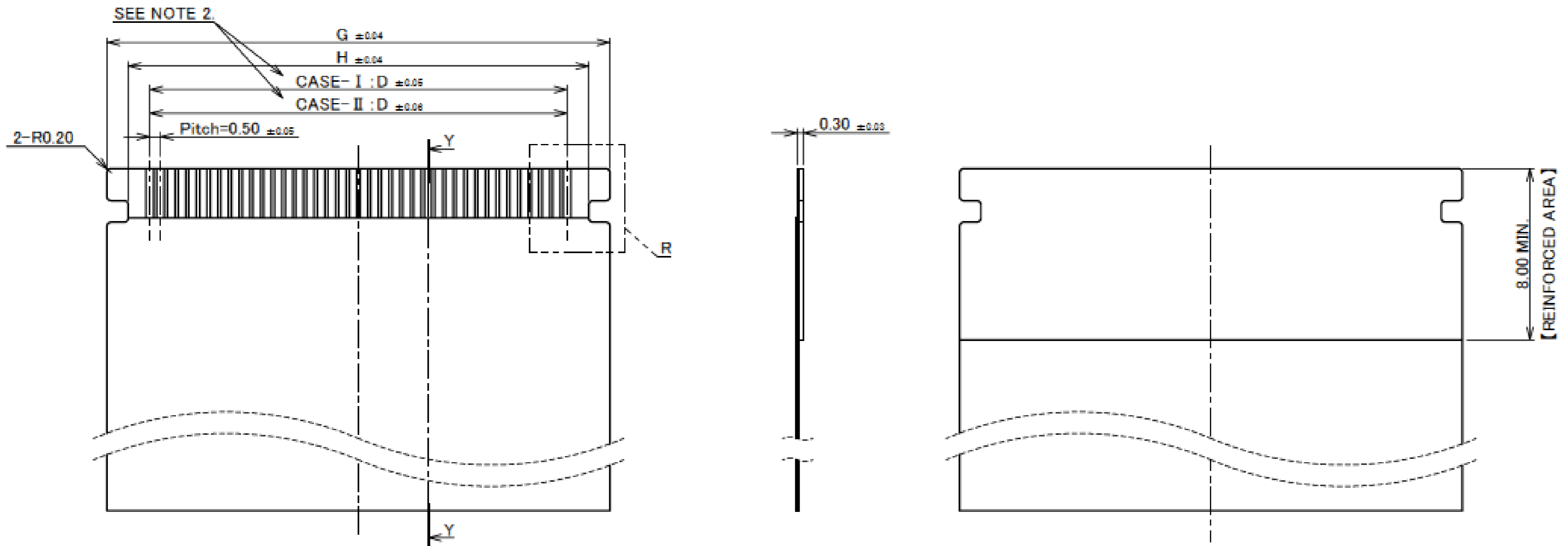
NOTES.
1. DENT SHAPE SHOWN ON DRAWING IS JUST FOR REFERENCE.
DENT SHAPE AND QUANTITY MIGHT CHANGE FROM DIFFERENT PIN COUNT AND DIFFERENT TOOLING.

NO.	DISCRIPTION	MATERIAL	FINISH , REMARKS
4	HOLD DOWN	CORSON ALLOY	SOLDERING AREA : Au 0.03µm MIN. OVER Ni 1.00µm MIN.
3	CONTACT	CORSON ALLOY	CONTACT AREA AND SOLDERING AREA : Au 0.03µm MIN. OVER Ni 1.00µm MIN.
2	ACTUATOR	LCP	UL94V-0, BEIGE
1	HOUSING	LCP	UL94V-0, BEIGE

Connector Assembly

PART No.	D	G	H
20799-020E-01	9.50	13.50	11.50
20799-030E-01	14.50	18.50	16.50
20799-040E-01	19.50	23.50	21.50
20799-050E-01	24.50	28.50	26.50
20799-060E-01	29.50	33.50	31.50

RECOMMENDED FFC LAYOUT [NON SHIELDED TYPE]



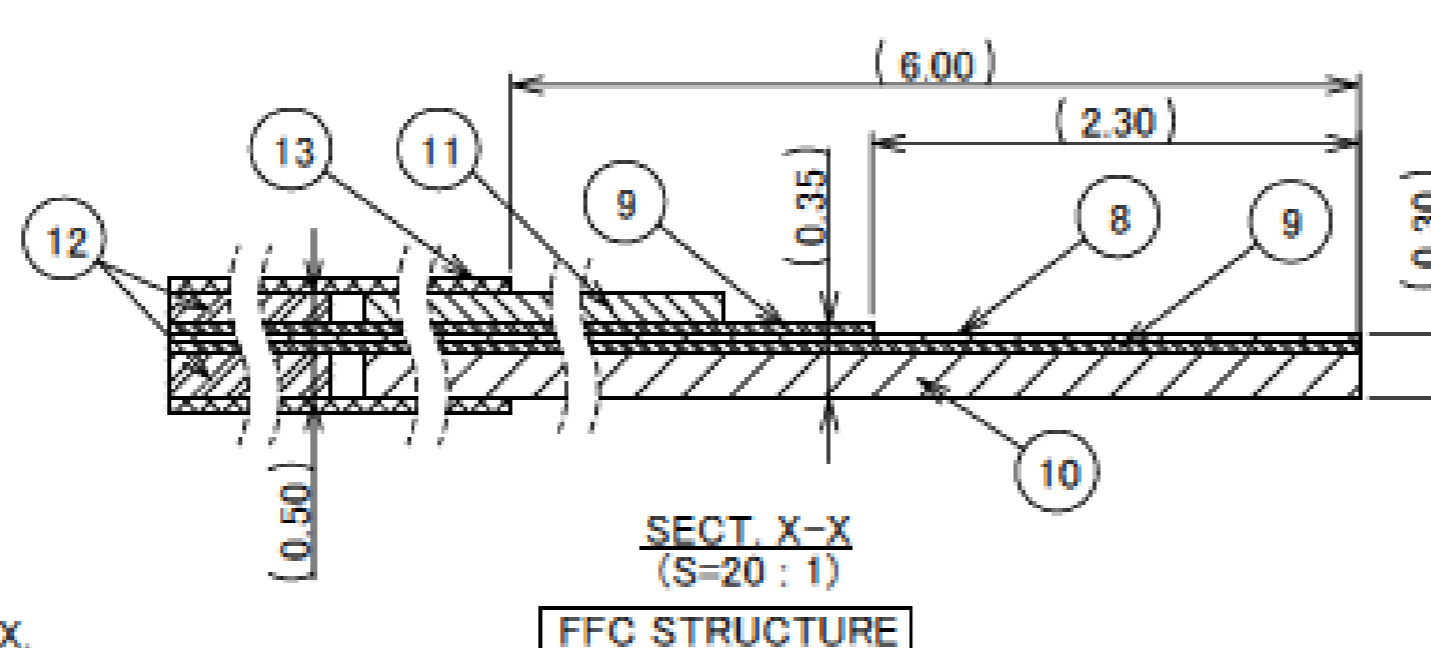
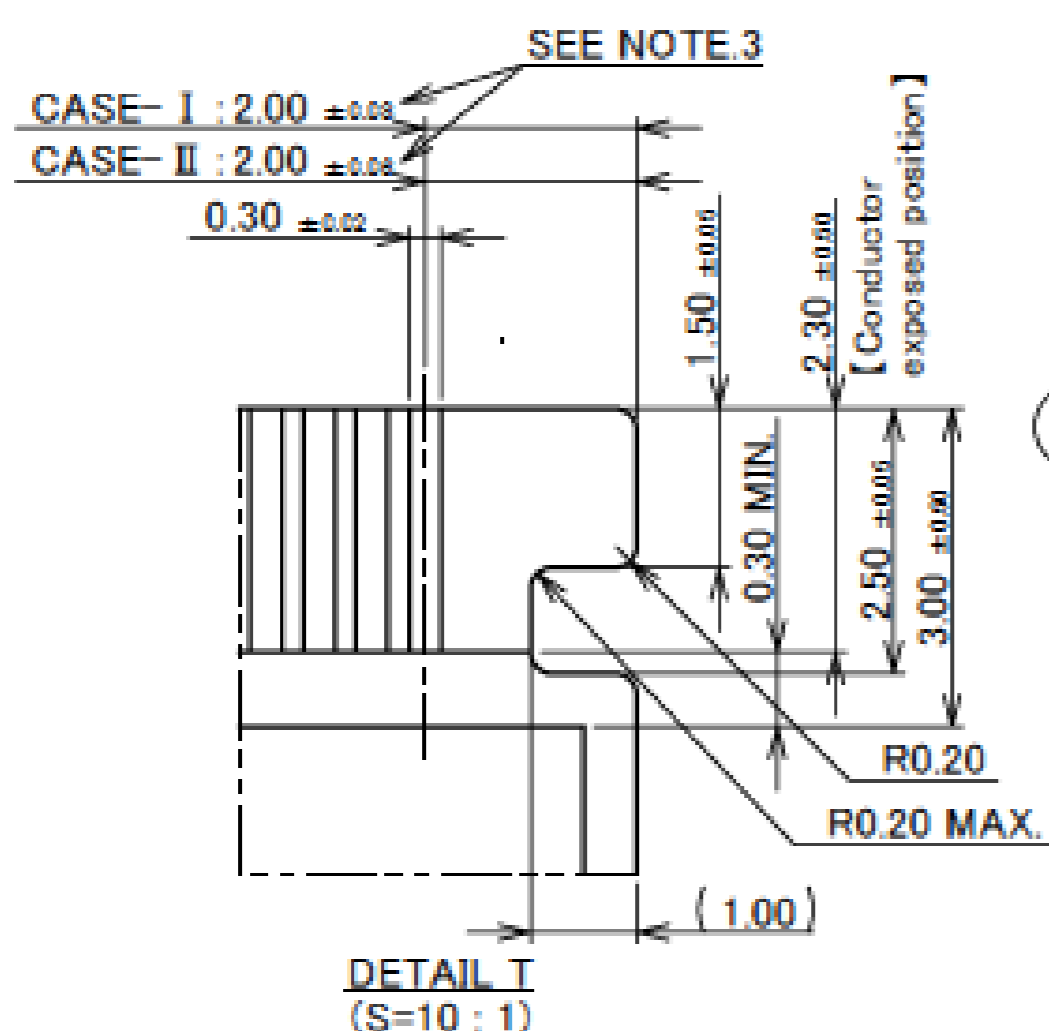
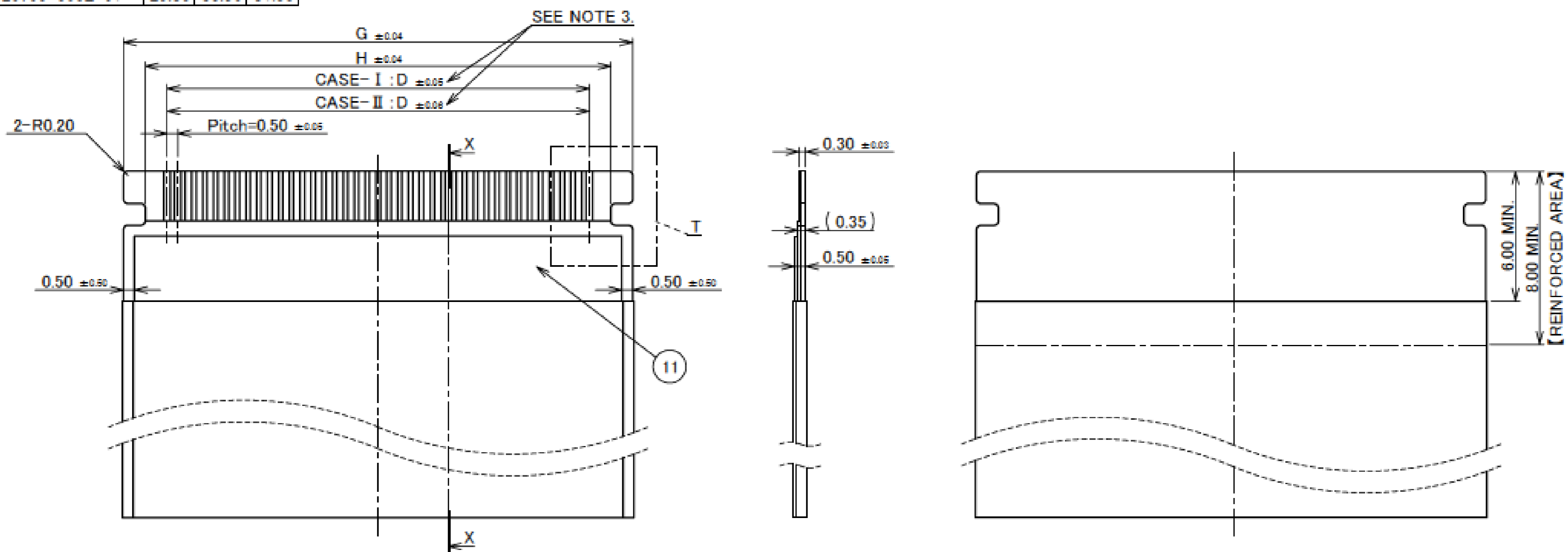
NOTES.
2. MANUFACTURE CASE- I or II
3. SELECT A MATERIAL WITH A SOFTENING TEMPERATURE OF 85°C OR HIGHER FOR THE PATTERN ADHESIVE PART OF FFC.

NO.	COMPONENTS	MATERIAL	FINISH
7	REINFORCED TAPE	ARBITRARY	
6	INSULATION FILM	ARBITRARY	
5	CONDUCTOR	COPPER ALLOY	CONTACT AREA : Au 0.05 μm MIN. OVER Ni 0.5 μm MIN.

Rev.10

PART No.	D	G	H
20799-020E-01	9.50	13.50	11.50
20799-030E-01	14.50	18.50	16.50
20799-040E-01	19.50	23.50	21.50
20799-050E-01	24.50	28.50	26.50
20799-060E-01	29.50	33.50	31.50

RECOMMENDED FFC LAYOUT [SHIELDED TYPE]



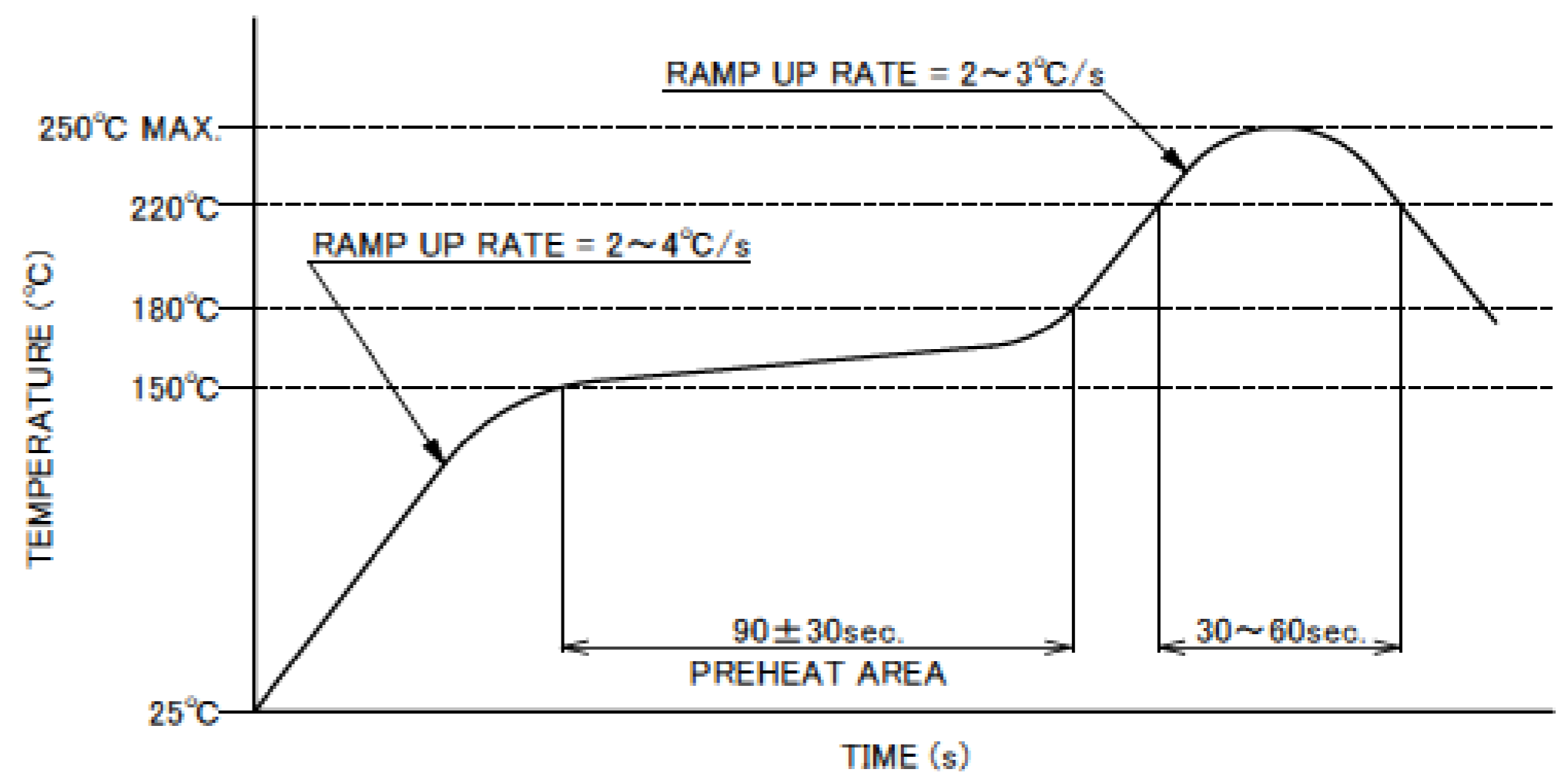
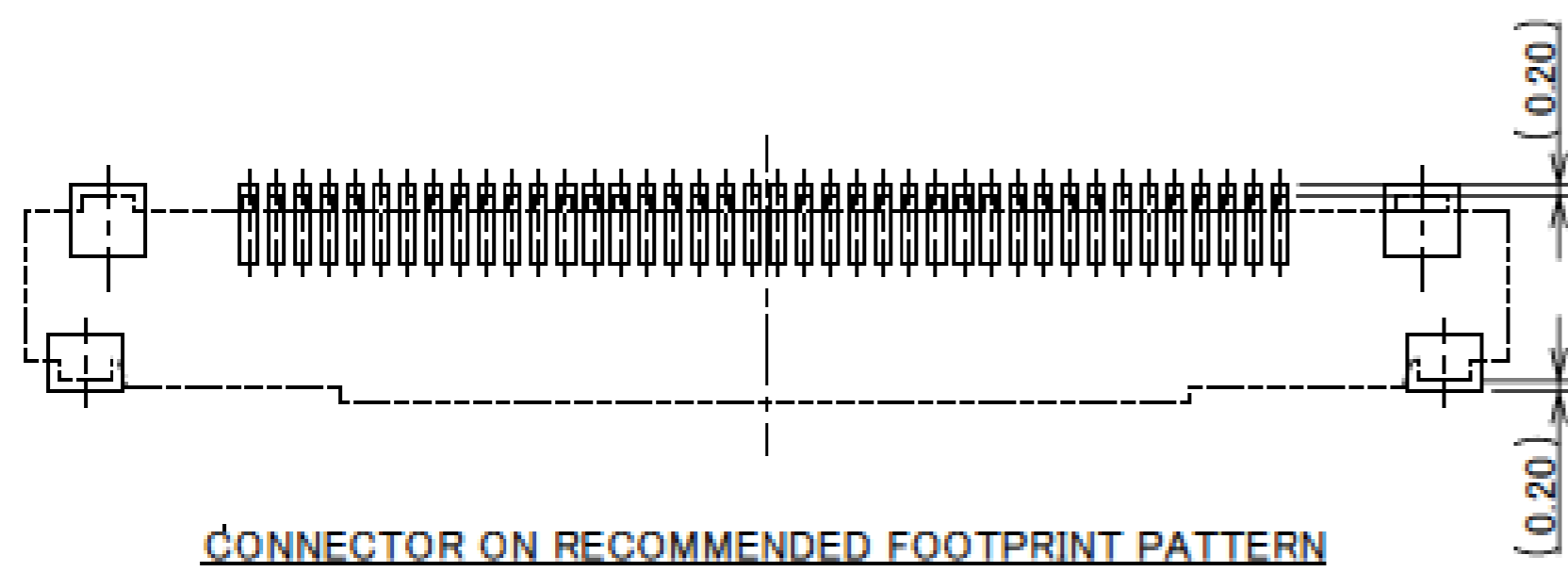
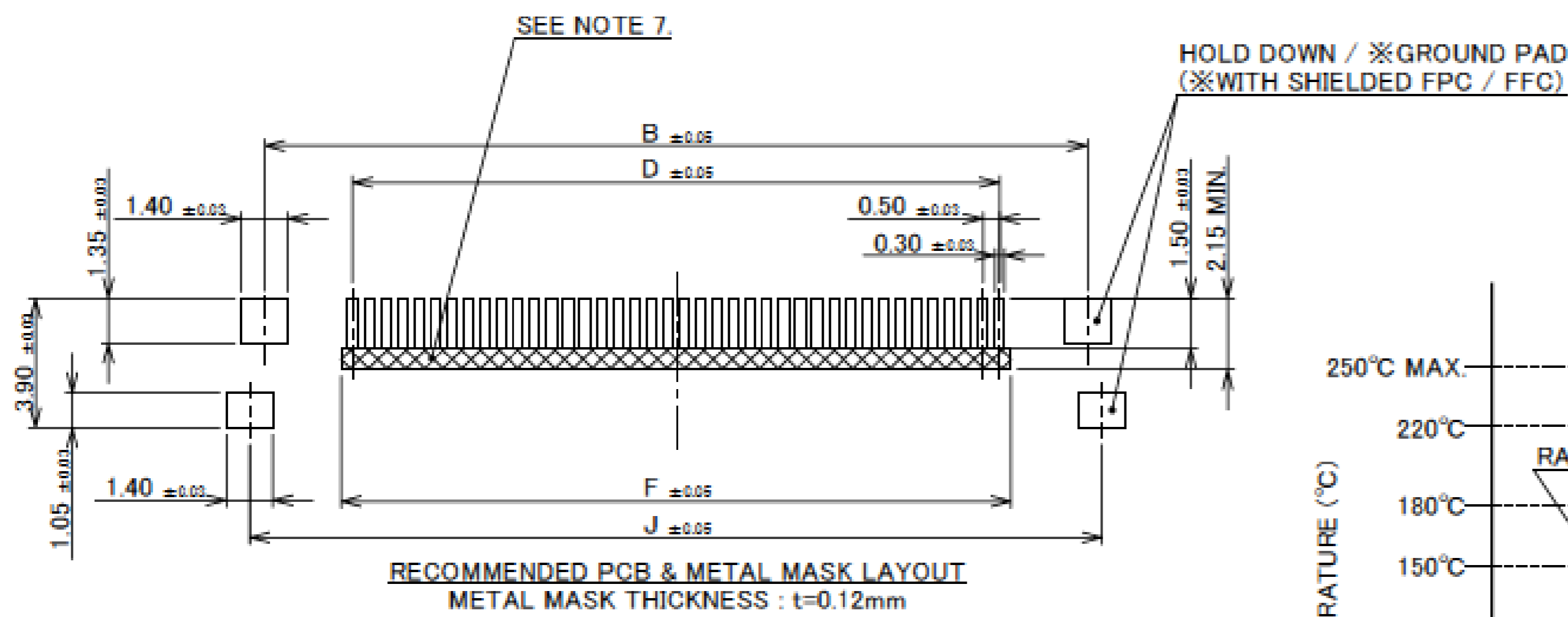
NOTES.
4. MANUFACTURE CASE- I or II
5. DIFFERENTIAL IMPEDANCE : 100±10 Ω
6. SELECT A MATERIAL WITH A SOFTENING TEMPERATURE OF 85°C OR HIGHER FOR THE PATTERN ADHESIVE PART OF FFC.

NO.	COMPONENTS	MATERIAL	FINISH
13	SHIELD TAPE	METALLIC FILM	
12	INTERLAYER	ARBITRARY	
11	GROUND PLATE	METALLIC FILM	POLISH or HALF POLISH Sn PLATING
10	REINFORCED TAPE	ARBITRARY	
9	INSULATION FILM	ARBITRARY	
8	CONDUCTOR	COPPER ALLOY	CONTACT AREA : Au 0.05 μm MIN. OVER Ni 0.5 μm MIN.

Rev.10

Connector Assembly

PART No.	B	D	F	J
20799-020E-01	14.80	9.50	10.20	15.70
20799-030E-01	19.80	14.50	15.20	20.70
20799-040E-01	24.80	19.50	20.20	25.70
20799-050E-01	29.80	24.50	25.20	30.70
20799-060E-01	34.80	29.50	30.20	35.70



NOTES
7. SOLDER RESIST MUST BE APPLIED TO THIS AREA.

Rev.10

ITEMS	SPECIFICATION
RATING VOLTAGE	50V AC/DC (PER CONTACT PIN)
RATING AMPERAGE	0.35A AC/DC (PER CONTACT PIN) AVAILABLE FOR ALL CONTACTS 0.5A AC/DC (PER CONTACT PIN) AVAILABLE UP TO 15 CONTACTS
OPERATING TEMPERATURE	233~398K(-40°C~+125°C)
OPERATING HUMIDITY	85% MAX.(NON-CONDENSING)
CONTACT RESISTANCE	INITIAL : 60mohm MAX. / AFTER TEST : \triangle40mohm MAX.
INSULATION RESISTANCE	500Mohm MIN.
DIELECTRIC WITHSTANDING VOLTAGE	AC250V 1min
DURABILITY	50TH CYCLES
FPC/FFC MATING FORCE (INITIAL / 50TH CYCLES)	20P : 15.00 N MAX. 30P : 22.00 N MAX. 40P : 29.00 N MAX. 50P : 36.00 N MAX. 60P : 43.00 N MAX.
FPC/FFC UNMATING FORCE (INITIAL / 50TH CYCLES)	20P : 2.00 N MIN. 30P : 2.70 N MIN. 40P : 3.40 N MIN. 50P : 4.10 N MIN. 60P : 4.80 N MIN.
FPC/FFC RETENTION FORCE (INITIAL / AFTER TEST)	20P : 11.00 N MIN. 30P : 11.70 N MIN. 40P : 12.40 N MIN. 50P : 13.10 N MIN. 60P : 13.80 N MIN.
COPLANARITY	0.10 MAX.
PRODUCT SPECIFICATION	PRS-2305
TEST REPORT	TR-17100
PACKING STANDARD	PST-18002
INSTRUCTION MANUAL	HIM-16039
APPEARANCE CRITERIA No.	QLS-A***


Rev.10

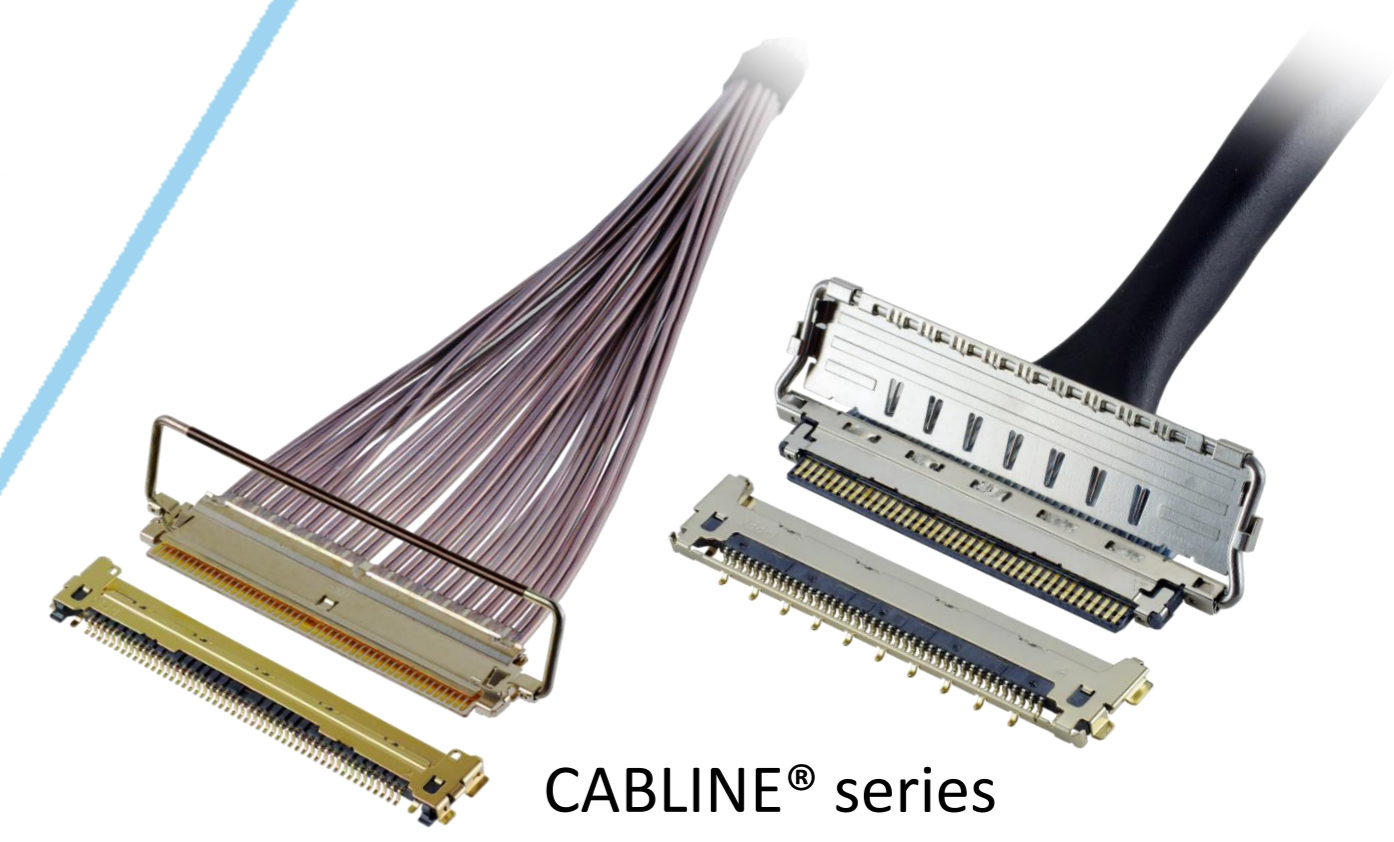
Custom Connectors Available

 RF Connector

MHF® series



 CABLINE® series
Micro-coaxial/Twinax/
Discrete Wire Connector



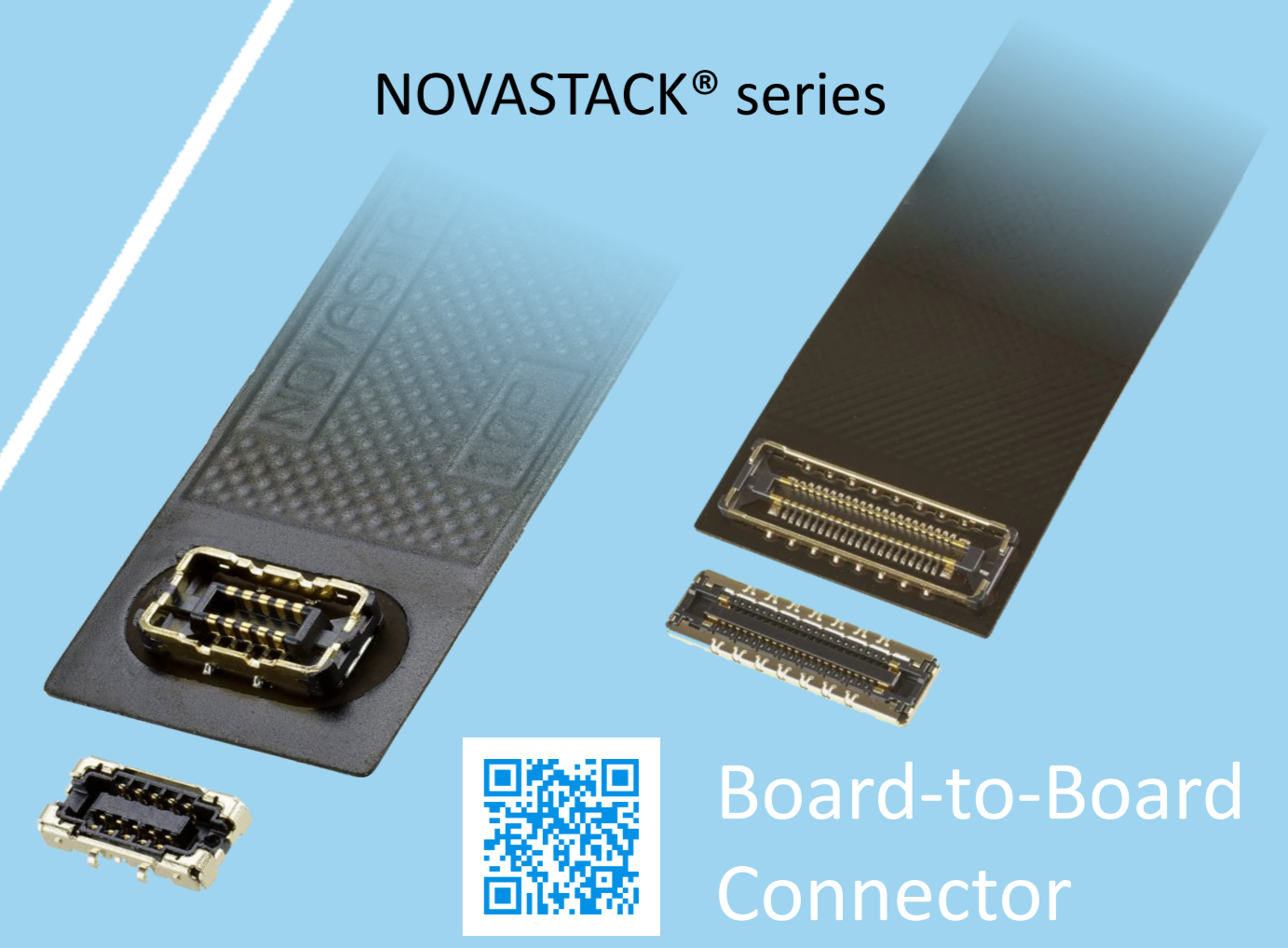
 Optical Module

LIGHTPASS® series



NOVASTACK® series

 Board-to-Board Connector



 Power Connector/
Terminal

AP series

ISH® series



MINIFLEX® series

EVAFLEX® series

 FPC FFC Connector

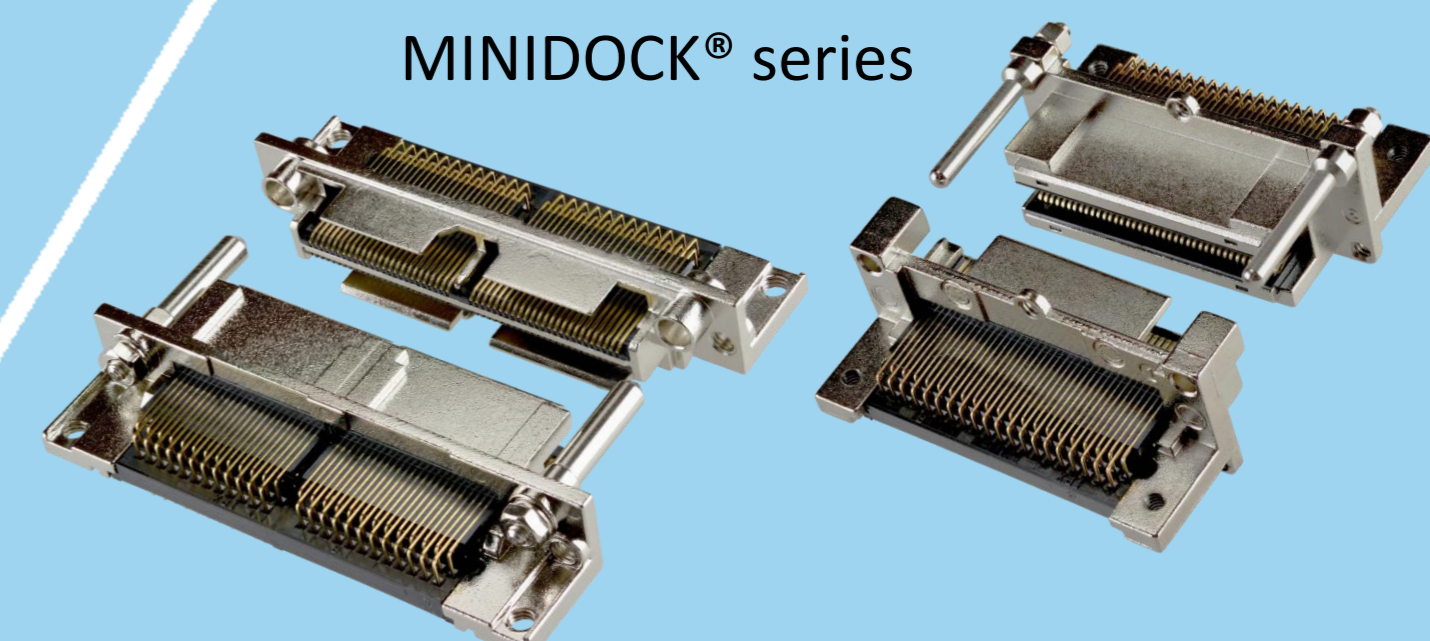


Inquiry



MINIDOCK® series

 I/O Connector



I-PEX, MHF, CABLINE, LIGHTPASS, NOVASTACK, ISH, IARPB, MINIFLEX, EVAFLEX, MINIDOCKS and ZenShield are registered trademarks of I-PEX Inc. Please note that the contents in the catalog might be changed without prior notification. I-PEX Inc. assumes no responsibility for any inaccuracies or obligation to update information on these documents. Please be sure to read and understand the latest "Precautions for Use" and "Instruction Manual" before you use our products. We shall not be responsible for any defects, damages or troubles in case you use our products without following the precautions for use. Please feel free to contact our sales representatives when you use our products for any applications that require very high reliability and safety, or that relate to human life (ex. nuclear power control, aerospace, transportation, medical equipment, safety equipment etc.).

Contact your sales representative or more detailed information.

www.i-pex.com



I-PEX

© I-PEX Inc. 2024
All rights reserved