

EVAFLEX® 5-SE-G VT

片手作業対応オートロック、高温対応(125℃)、高速伝送対応、垂直嵌合、0.5 mmピッチ、シールドFFC/FPC



Product Specifications:

Board Pitch (mm)	0.5	
Wiping Length (mm)	1.2	
Size (mm)	Height	6.6 +/- 0.30
	Width	Formula: 8.00 + (0.5*?p)
	Depth	3.90 +/- 0.20
Pin counts	Range	20 - 60
	Available	20, 30, 40, 50, 60

Applicable FPC/FFC:

FPC/FFC Type	Shielded FFC, Non-shielded FFC/FPC
FPC/FFC Contact Point	Signal contact tail side
FPC/FFC Thickness (mm)	0.30 +/- 0.03

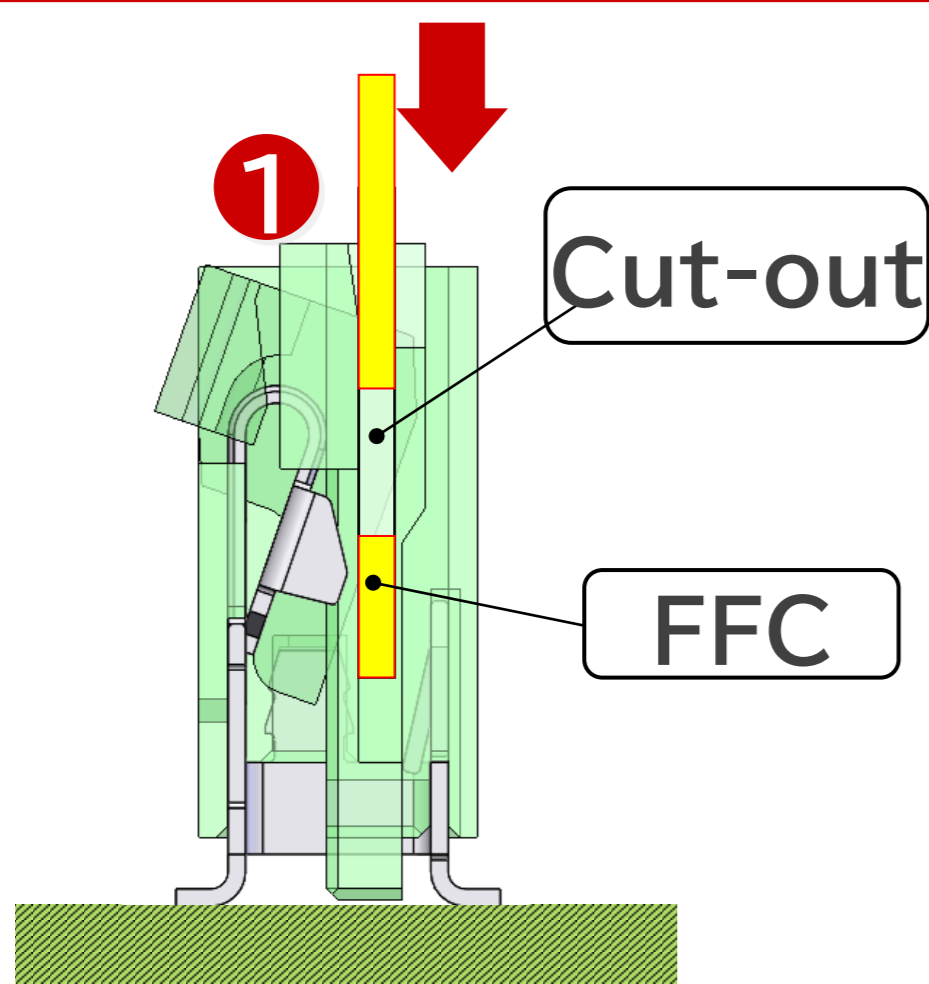
Applicable Standards (Reference Only):

eDP (2.7 Gbps) V-By-One HS 1.4 (4 Gbps)
USCAR II Vibration & Shock V1

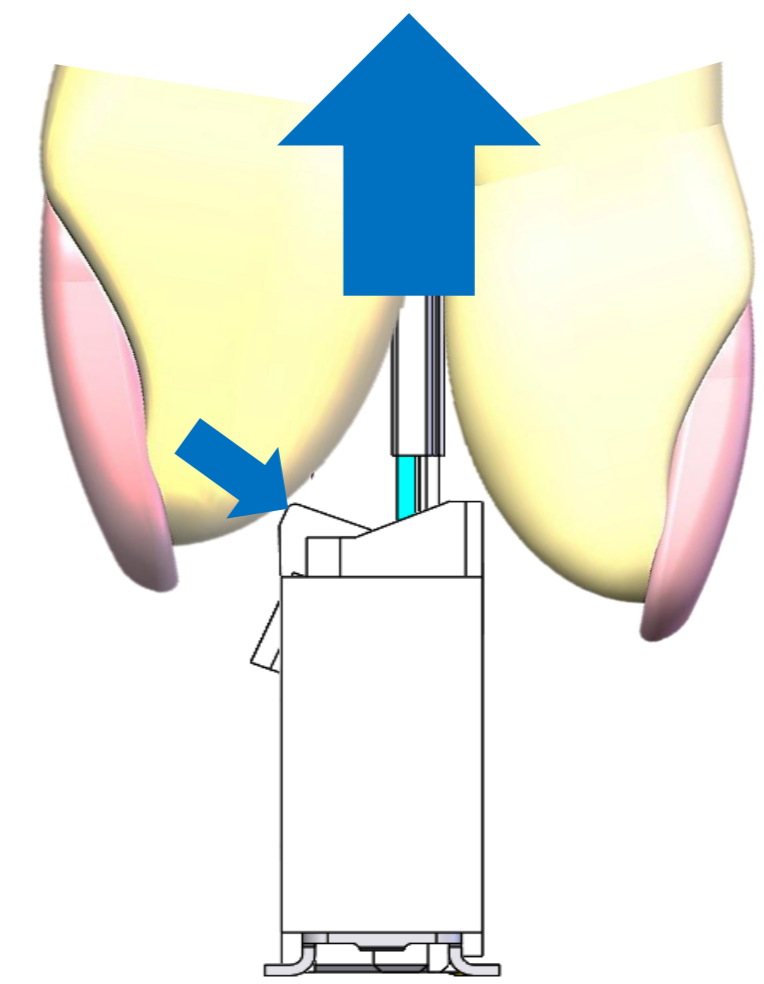
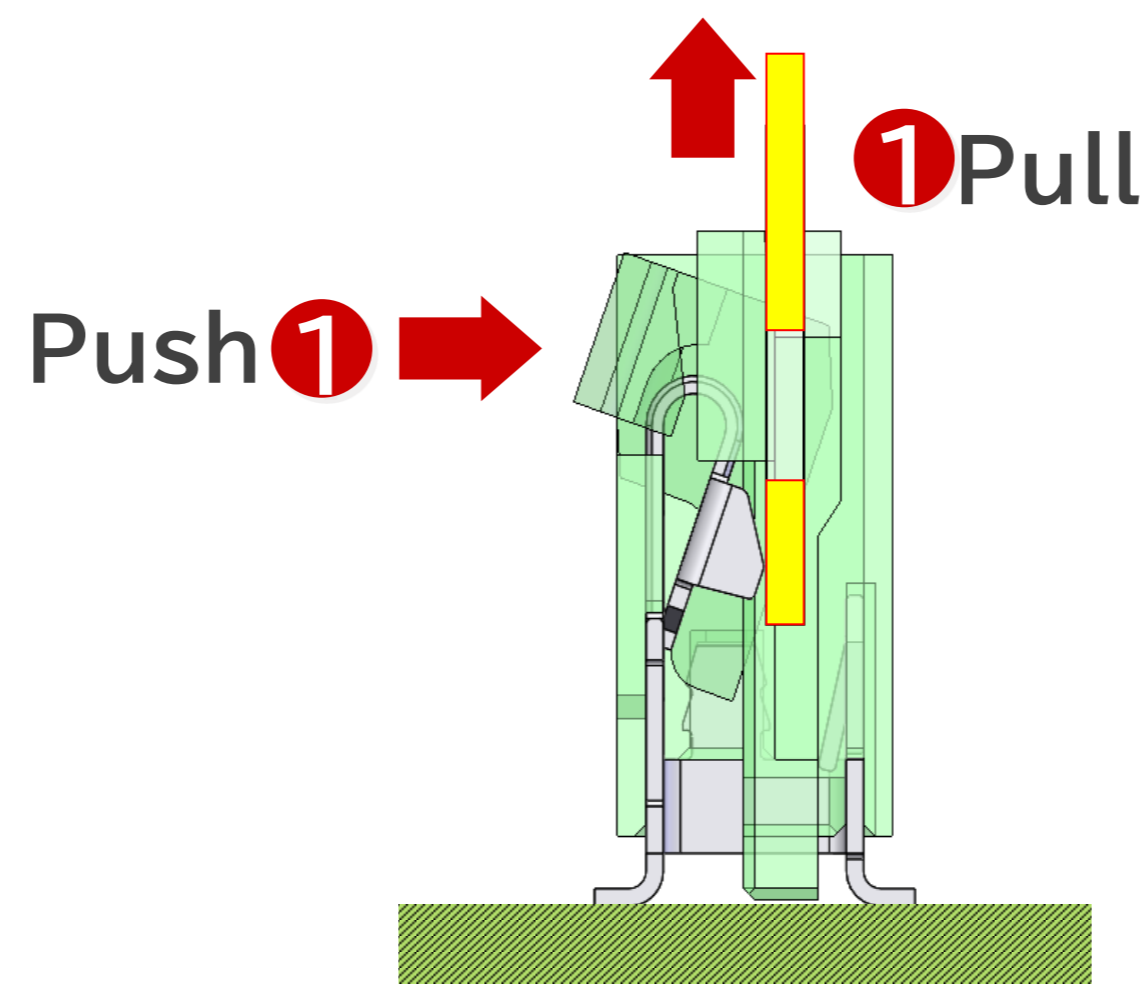
*記載のない極数の対応状況についてはお問い合わせください。

▶ 片手での作業ができるオートロックデザイン。手作業やロボットでの組立作業に最適

ワンアクションFFC嵌合



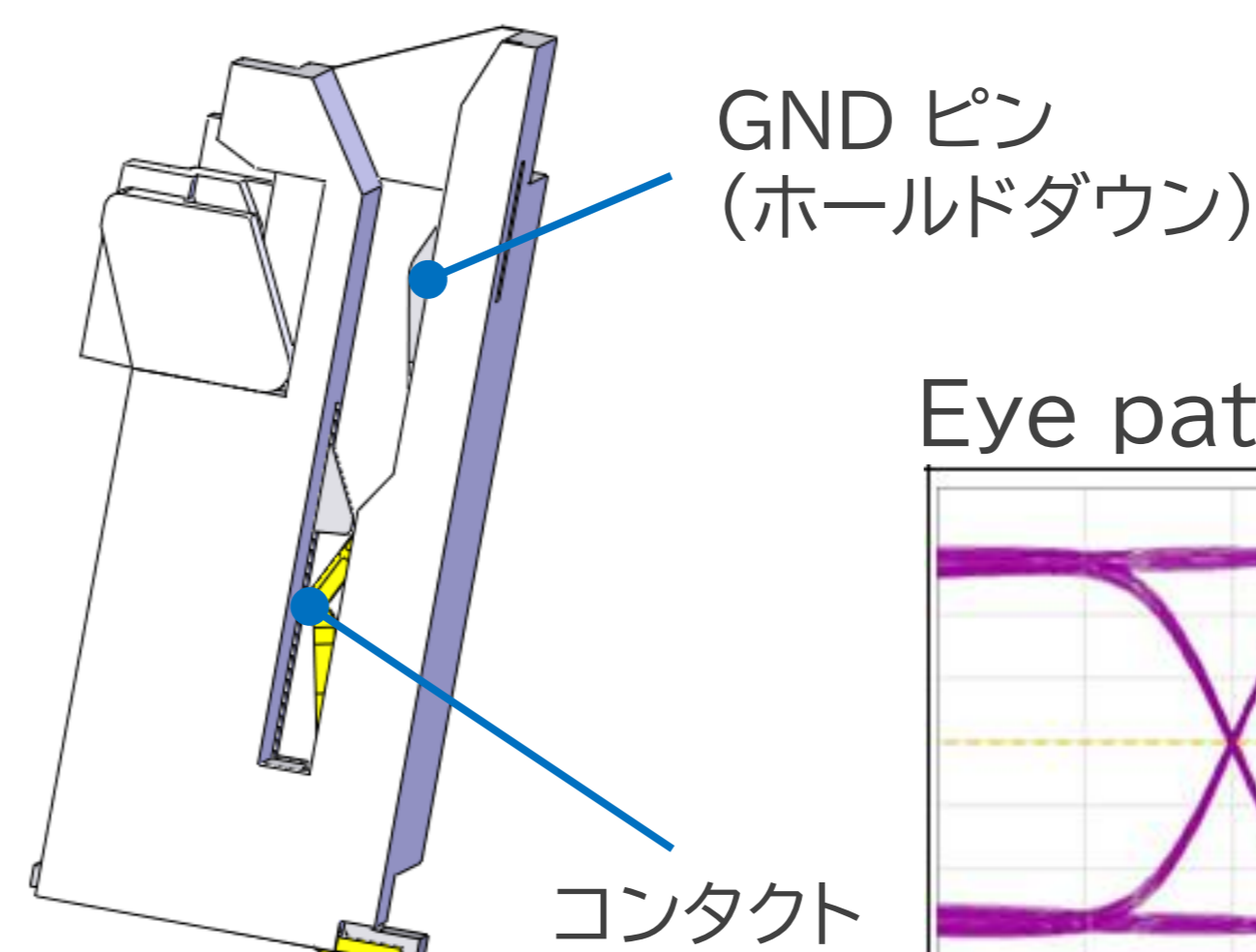
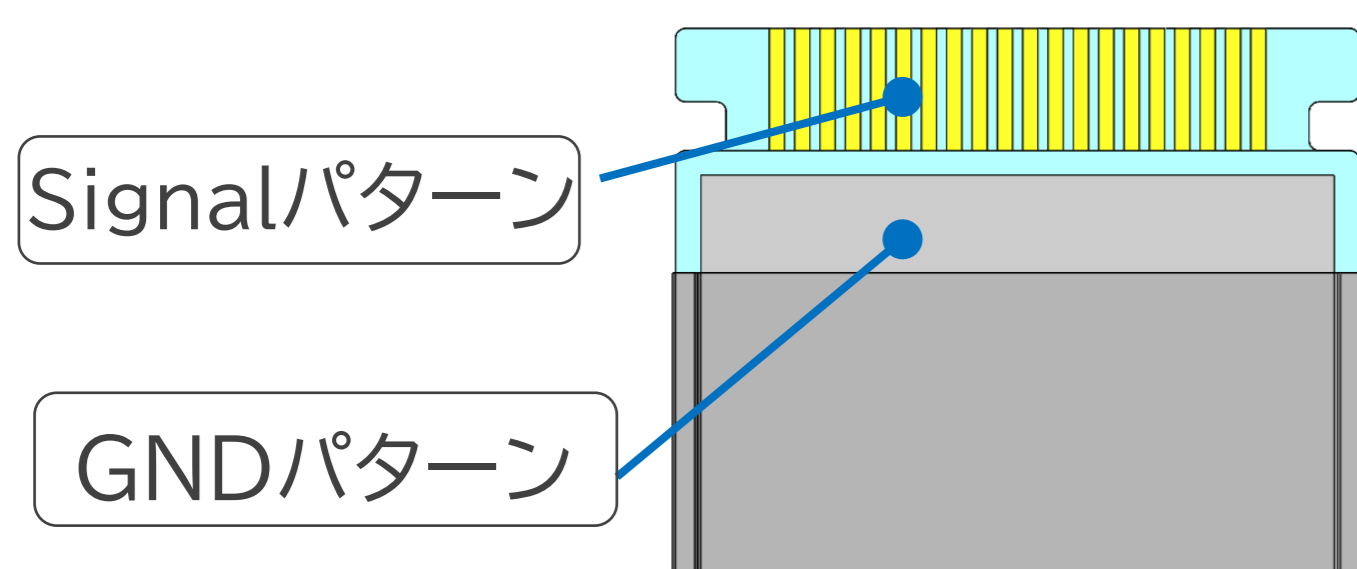
ワンアクションFFC抜去



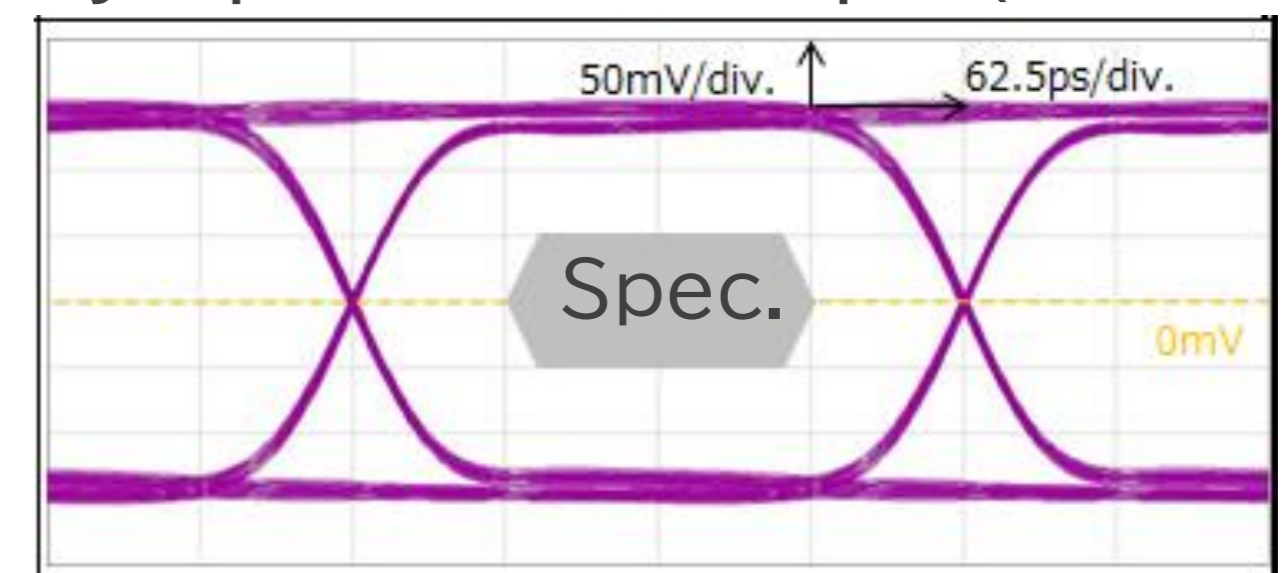
FFCを掴む操作とロック解除操作が同時に行える

▶ GNDコンタクトを実装した高速伝送設計(4+ Gbps V-By-One® HS)

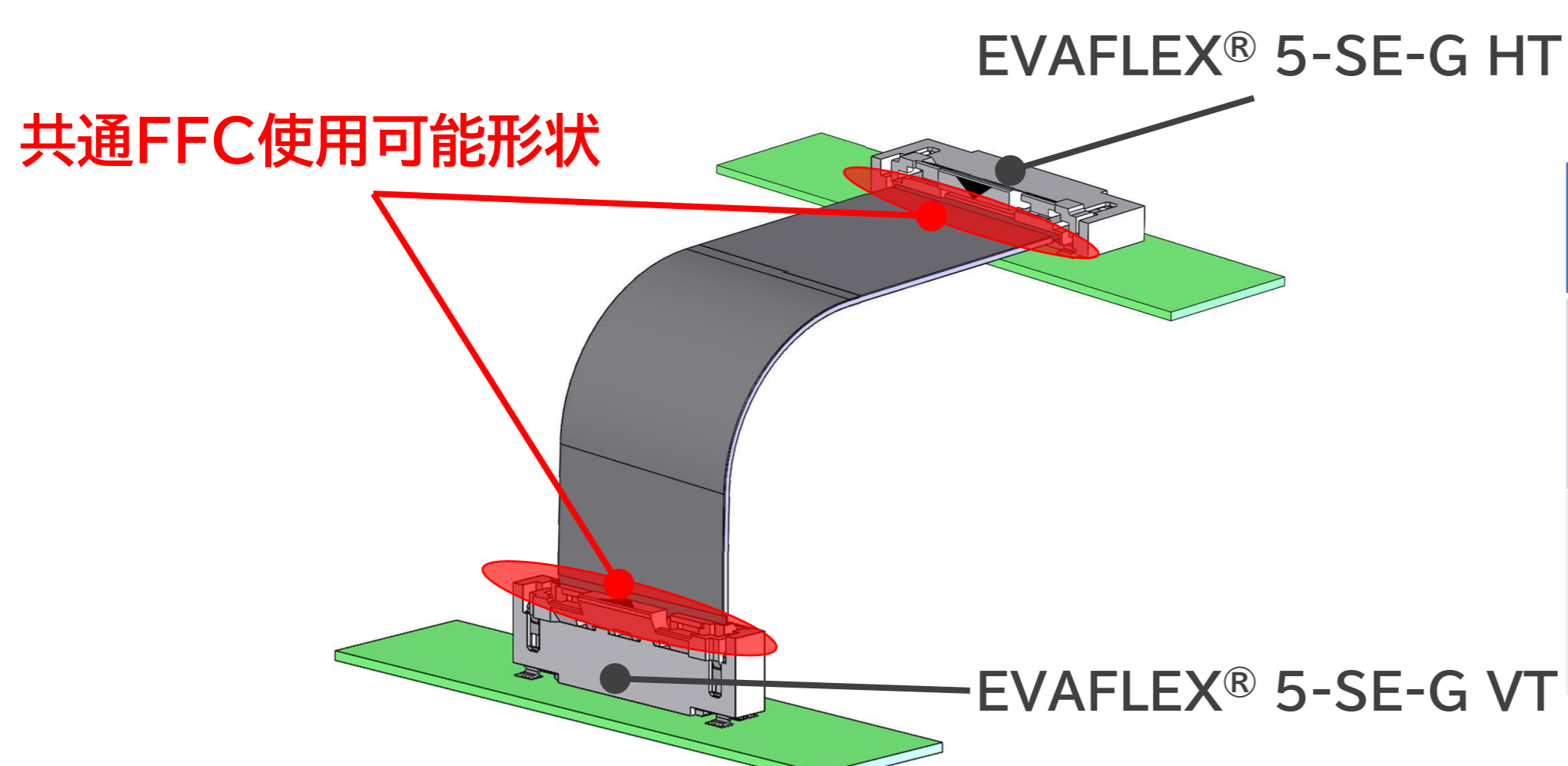
ホールドダウンにGNDピンを設置しており、GND接続が可能
伝送速度ターゲット:4+ Gbps (V-By-One® HS)



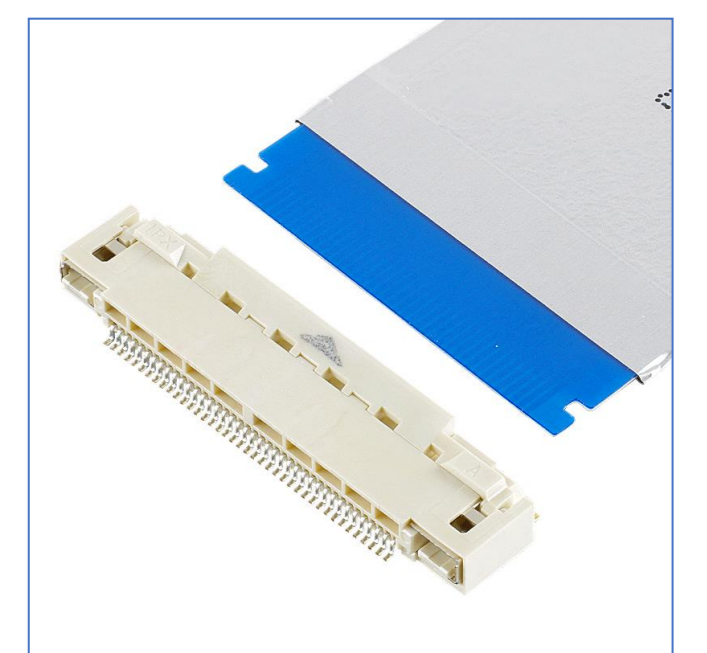
Eye pattern 4 Gbps (actual)



▶ 同じFFCを使用できる水平型(EVAFLEX® 5-SE-G HT)のオプションあり



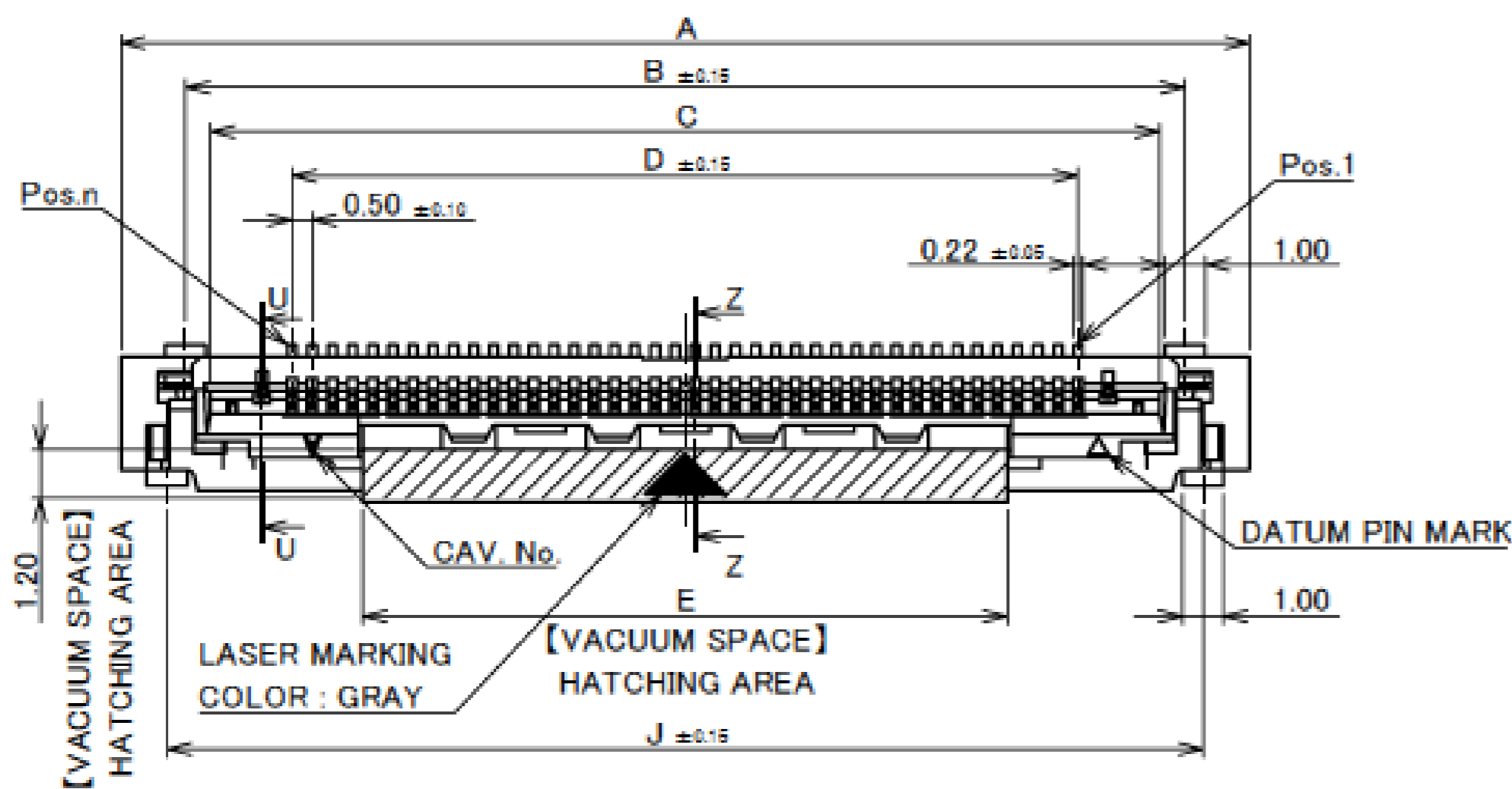
	EVAFLEX® 5-SE-G HT
Height (mm)	3.65 +/- 0.1
Depth (mm)	7.0



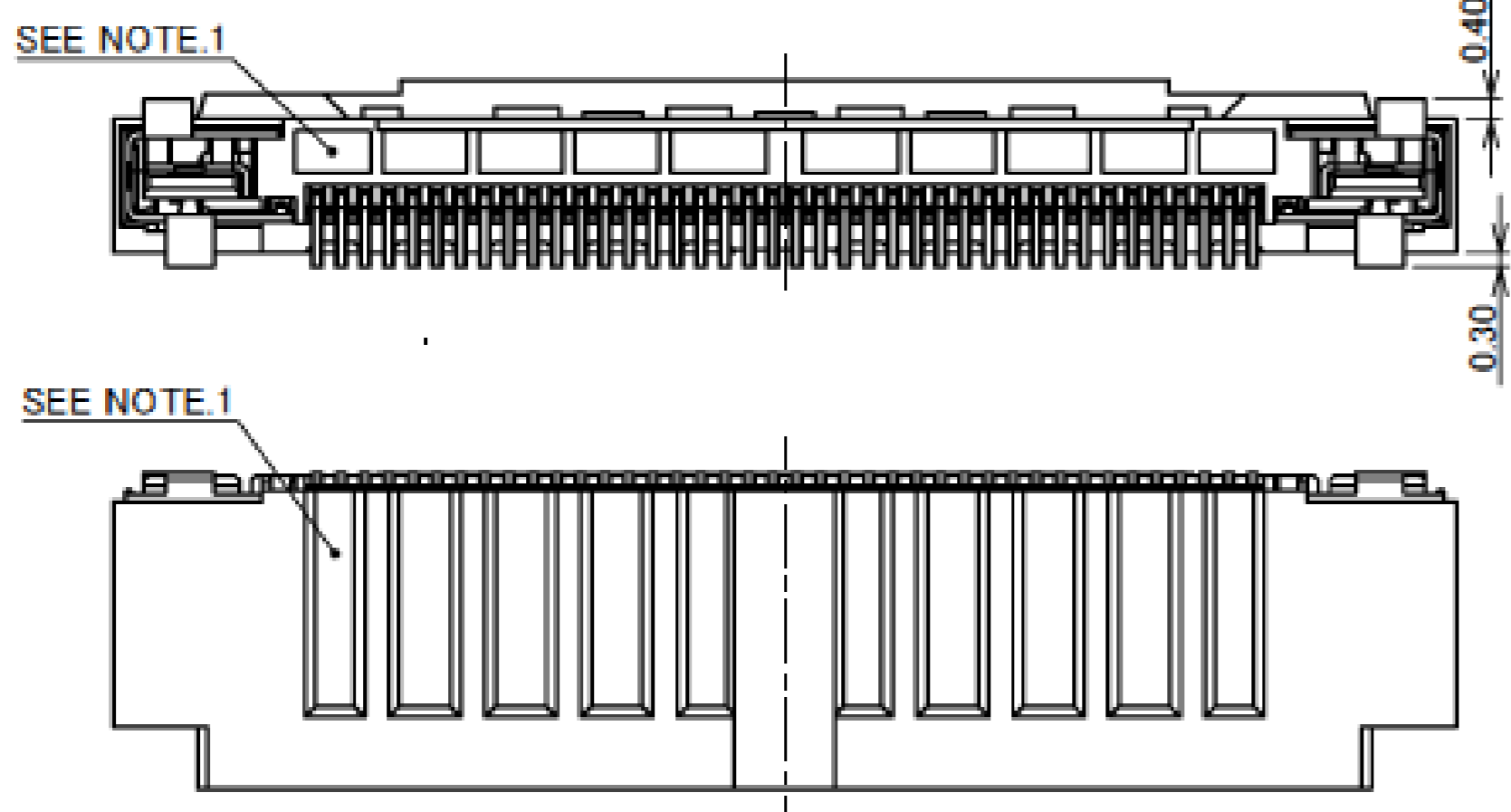
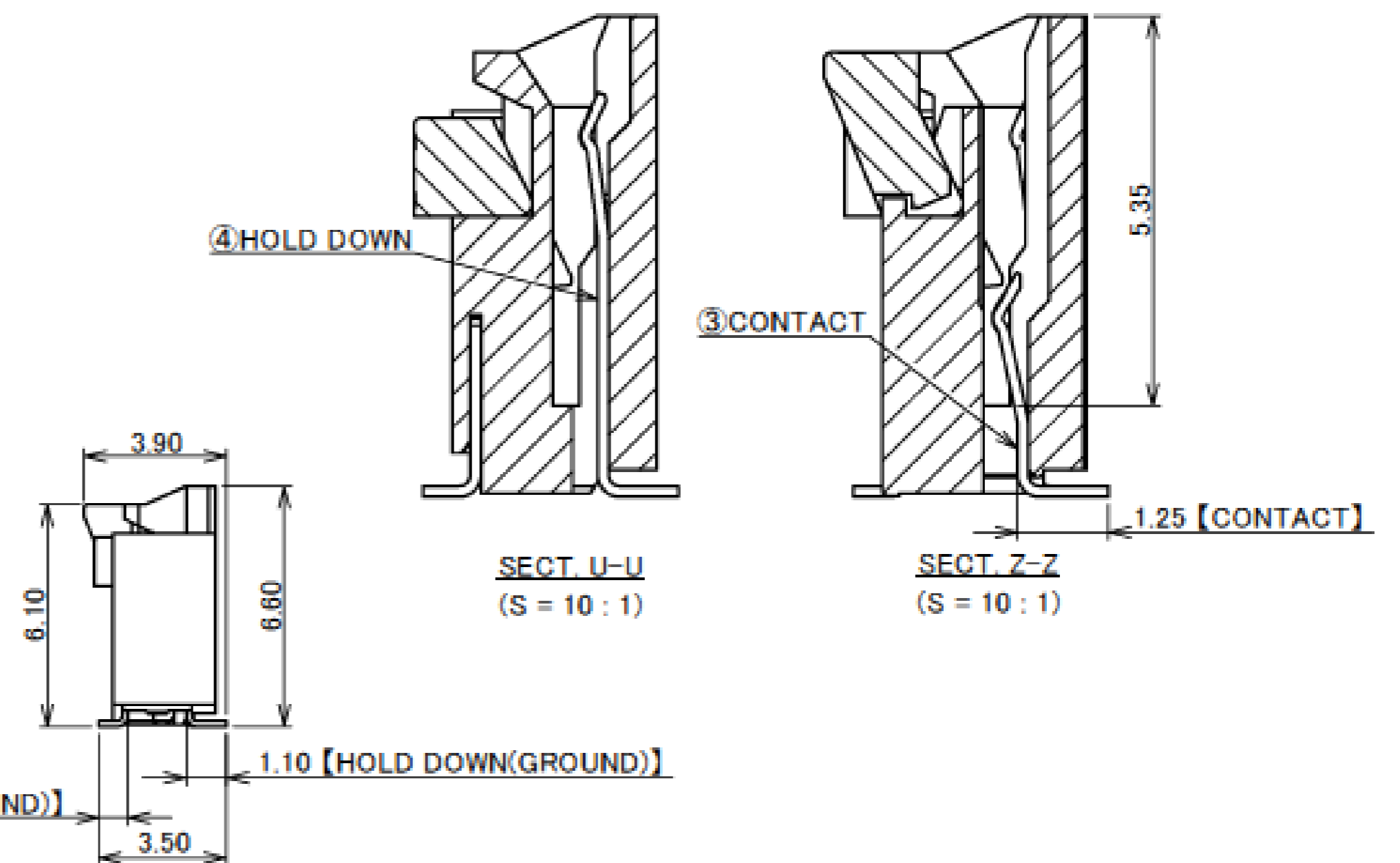
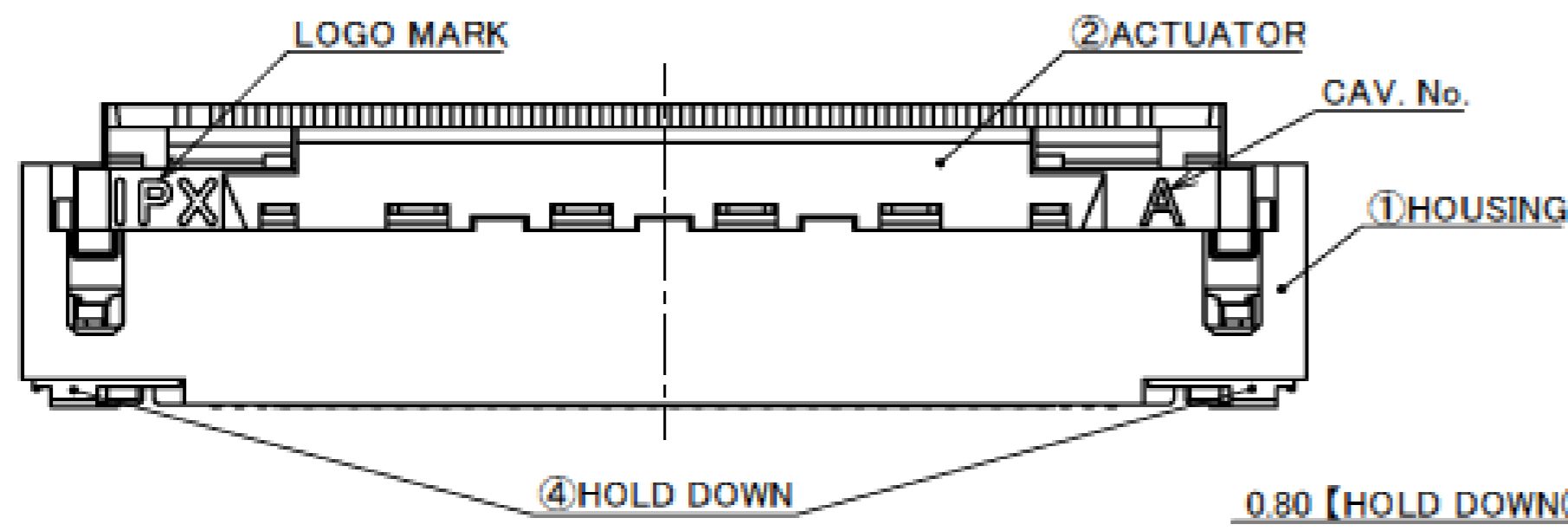
Component Parts Details

Connector Assembly

Recommended P/N 20799-0**E-01



PART No.	A	B	C	D	E	J
20799-020E-01	18.00	14.80	13.56	9.50	6.00	15.70
20799-030E-01	23.00	19.80	18.56	14.50	11.00	20.70
20799-040E-01	28.00	24.80	23.56	19.50	16.00	25.70
20799-050E-01	33.00	29.80	28.56	24.50	21.00	30.70
20799-060E-01	38.00	34.80	33.56	29.50	26.00	35.70



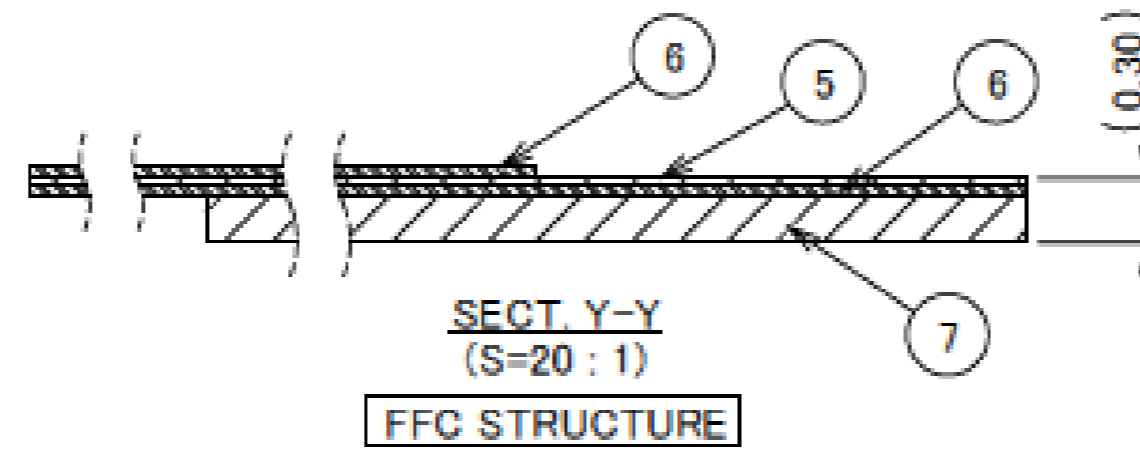
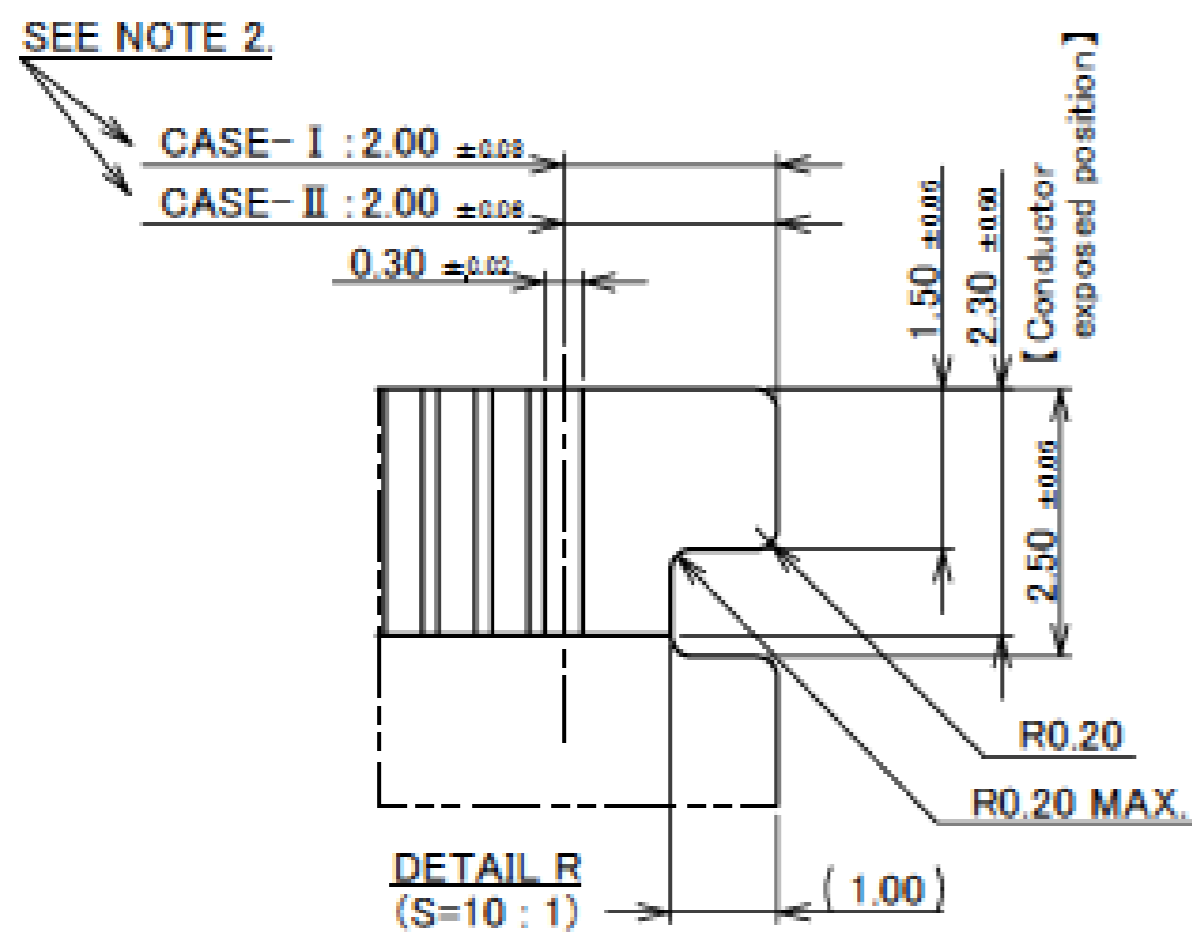
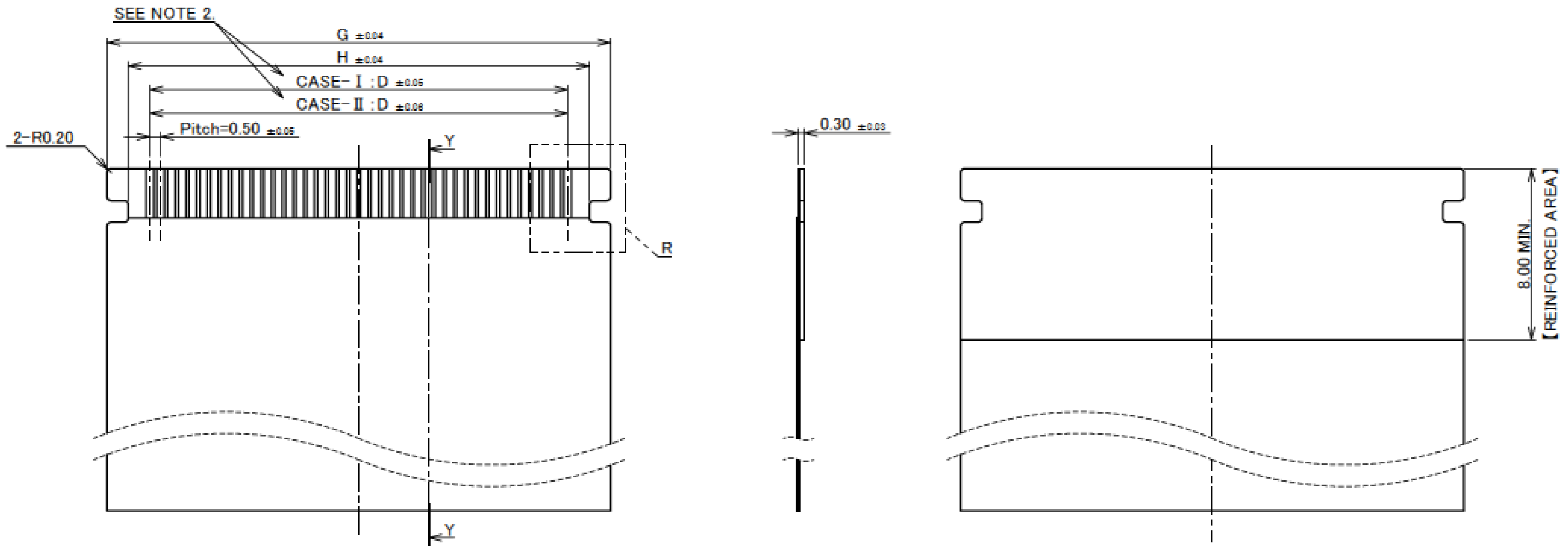
NOTES.
1. DENT SHAPE SHOWN ON DRAWING IS JUST FOR REFERENCE.
DENT SHAPE AND QUANTITY MIGHT CHANGE FROM DIFFERENT PIN COUNT AND DIFFERENT TOOLING.

NO.	DISCRIPTION	MATERIAL	FINISH , REMARKS
4	HOLD DOWN	CORSON ALLOY	SOLDERING AREA : Au 0.03μm MIN. OVER Ni 1.00μm MIN.
3	CONTACT	CORSON ALLOY	CONTACT AREA AND SOLDERING AREA : Au 0.03μm MIN. OVER Ni 1.00μm MIN.
2	ACTUATOR	LCP	UL94V-0, BEIGE
1	HOUSING	LCP	UL94V-0, BEIGE

Connector Assembly

PART No.	D	G	H
20799-020E-01	9.50	13.50	11.50
20799-030E-01	14.50	18.50	16.50
20799-040E-01	19.50	23.50	21.50
20799-050E-01	24.50	28.50	26.50
20799-060E-01	29.50	33.50	31.50

RECOMMENDED FFC LAYOUT [NON SHIELDED TYPE]



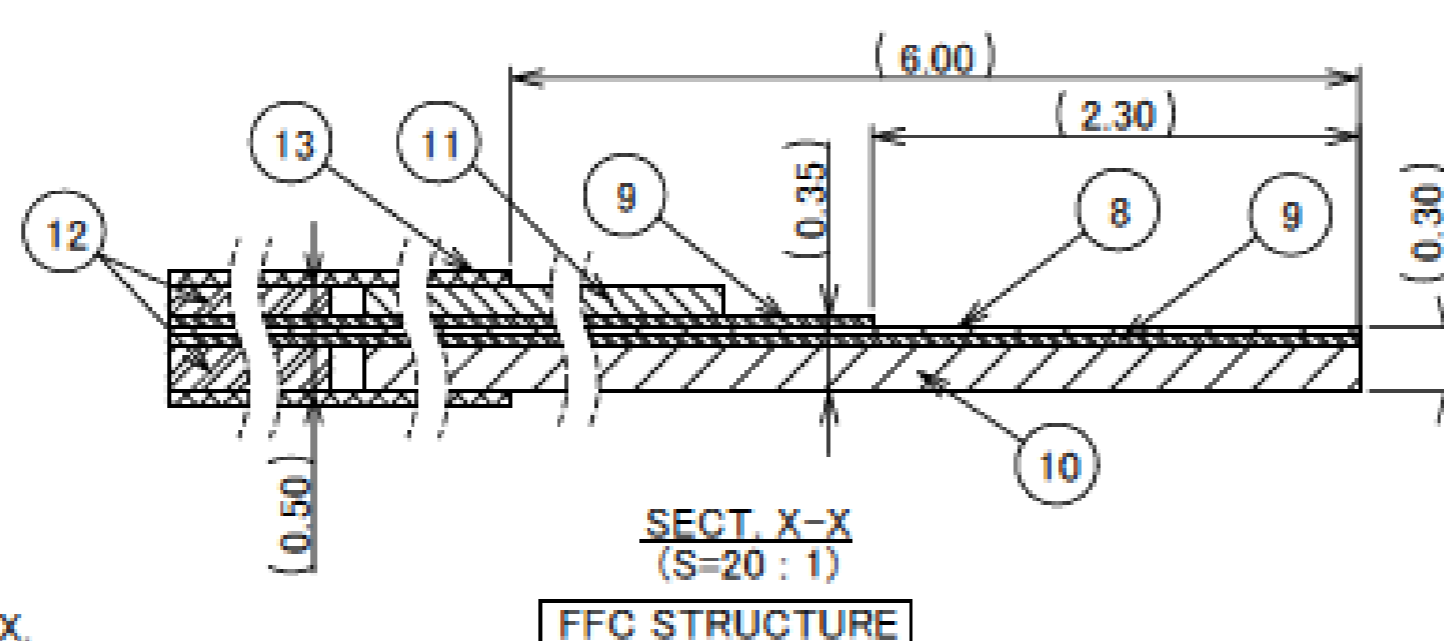
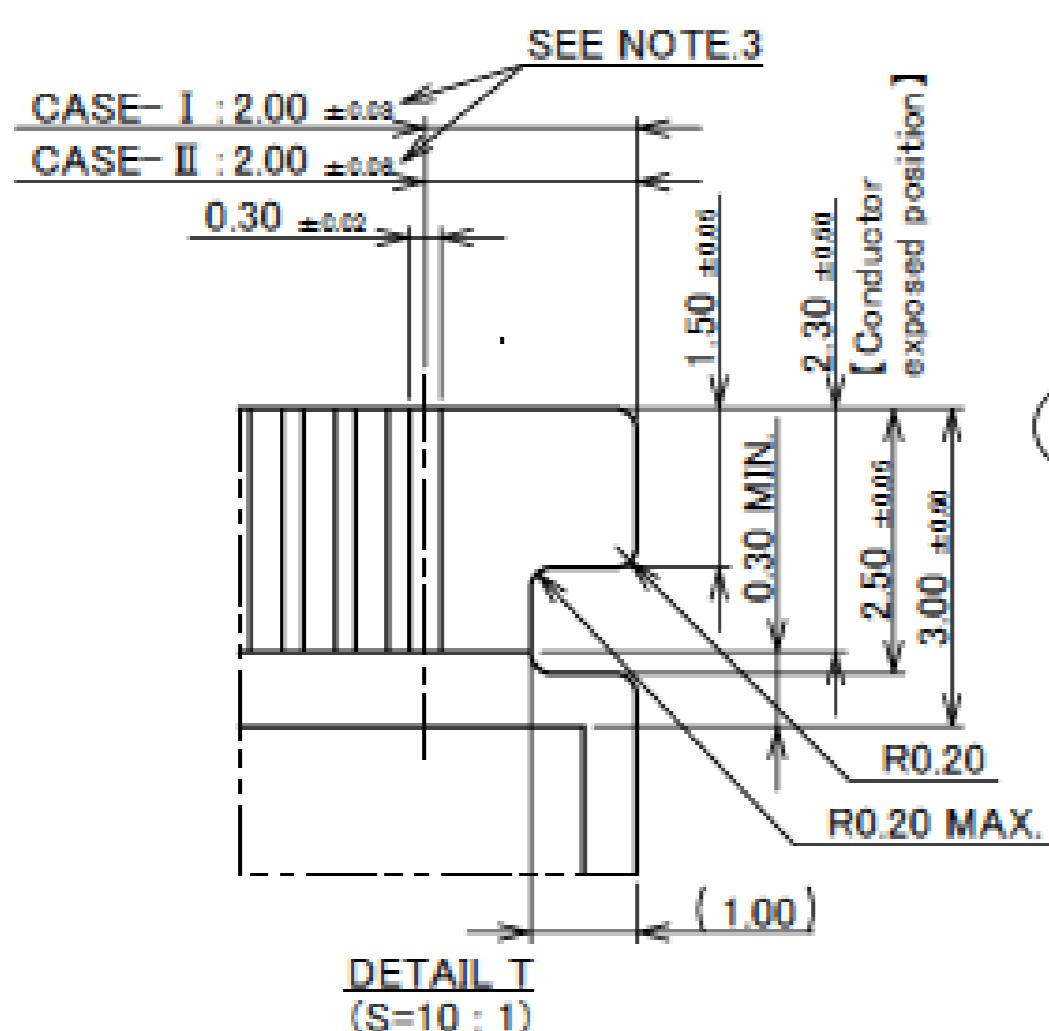
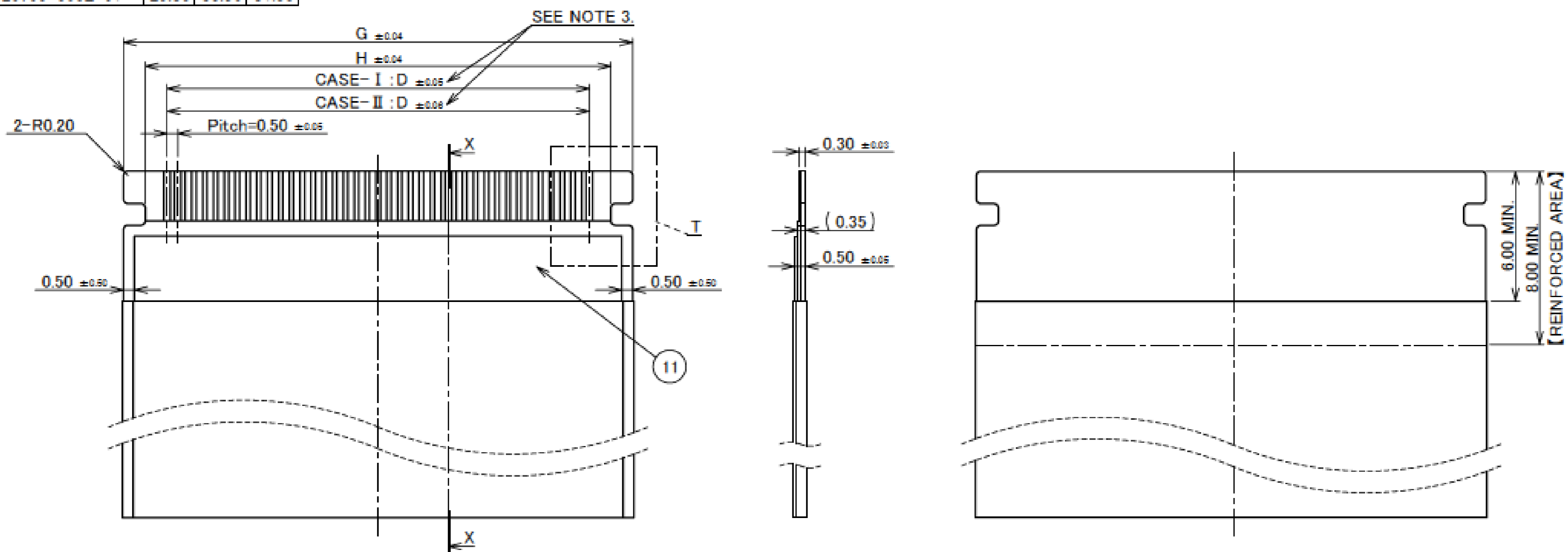
NOTES.
2. MANUFACTURE CASE-I or II
3. SELECT A MATERIAL WITH A SOFTENING TEMPERATURE OF 85°C OR HIGHER FOR THE PATTERN ADHESIVE PART OF FFC.

NO.	COMPONENTS	MATERIAL	FINISH
7	REINFORCED TAPE	ARBITRARY	
6	INSULATION FILM	ARBITRARY	
5	CONDUCTOR	COPPER ALLOY	CONTACT AREA : Au 0.05 μ m MIN. OVER Ni 0.5 μ m MIN.

Rev.10

PART No.	D	G	H
20799-020E-01	9.50	13.50	11.50
20799-030E-01	14.50	18.50	16.50
20799-040E-01	19.50	23.50	21.50
20799-050E-01	24.50	28.50	26.50
20799-060E-01	29.50	33.50	31.50

RECOMMENDED FFC LAYOUT [SHIELDED TYPE]



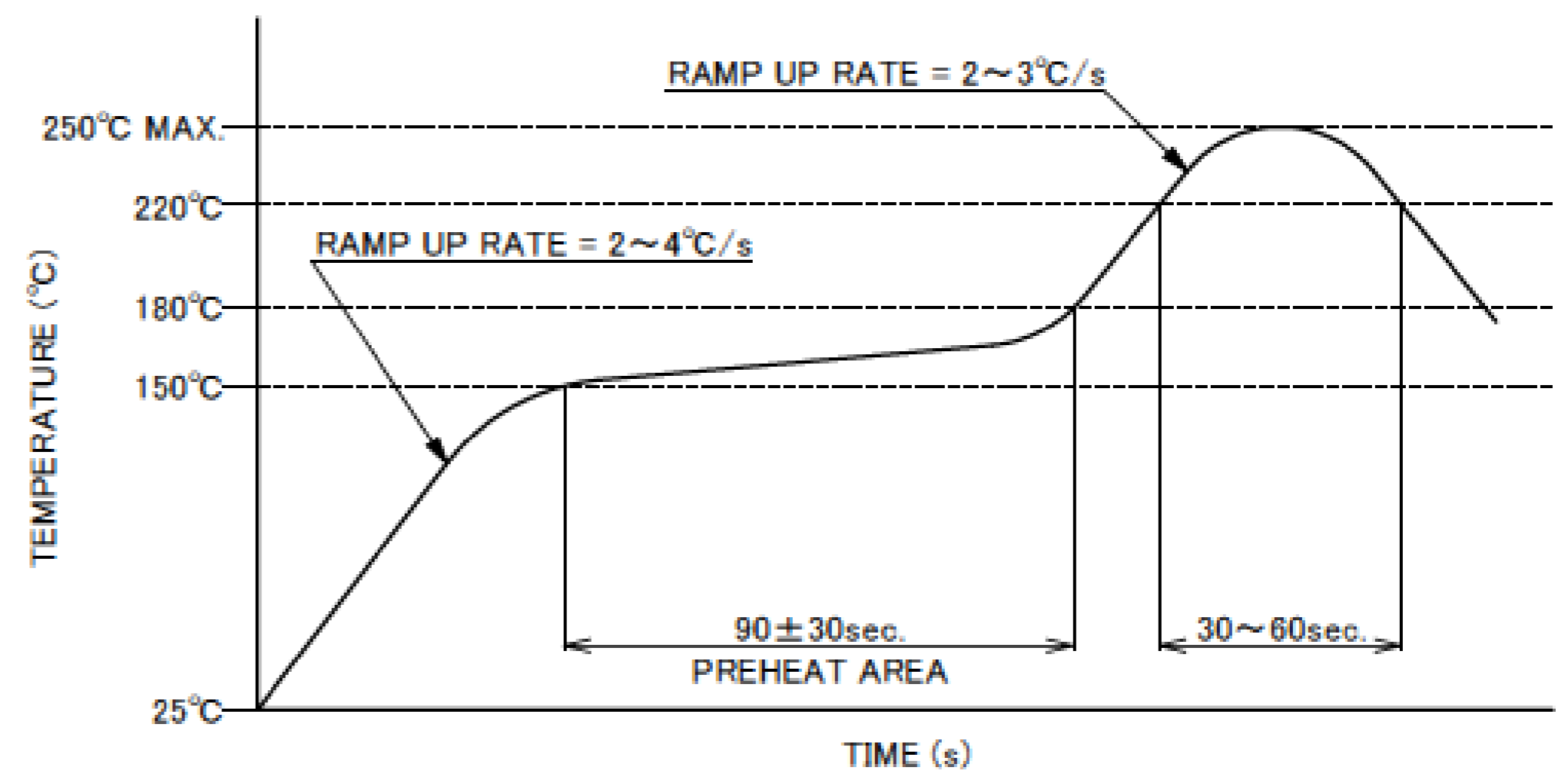
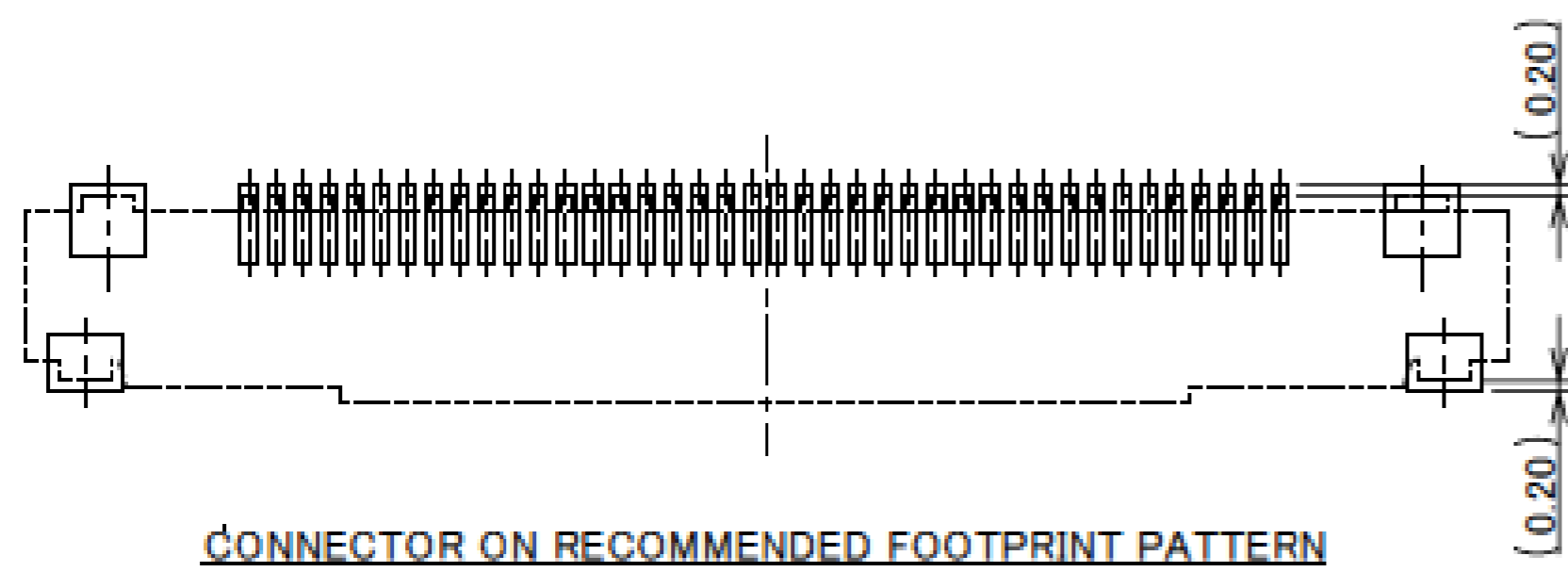
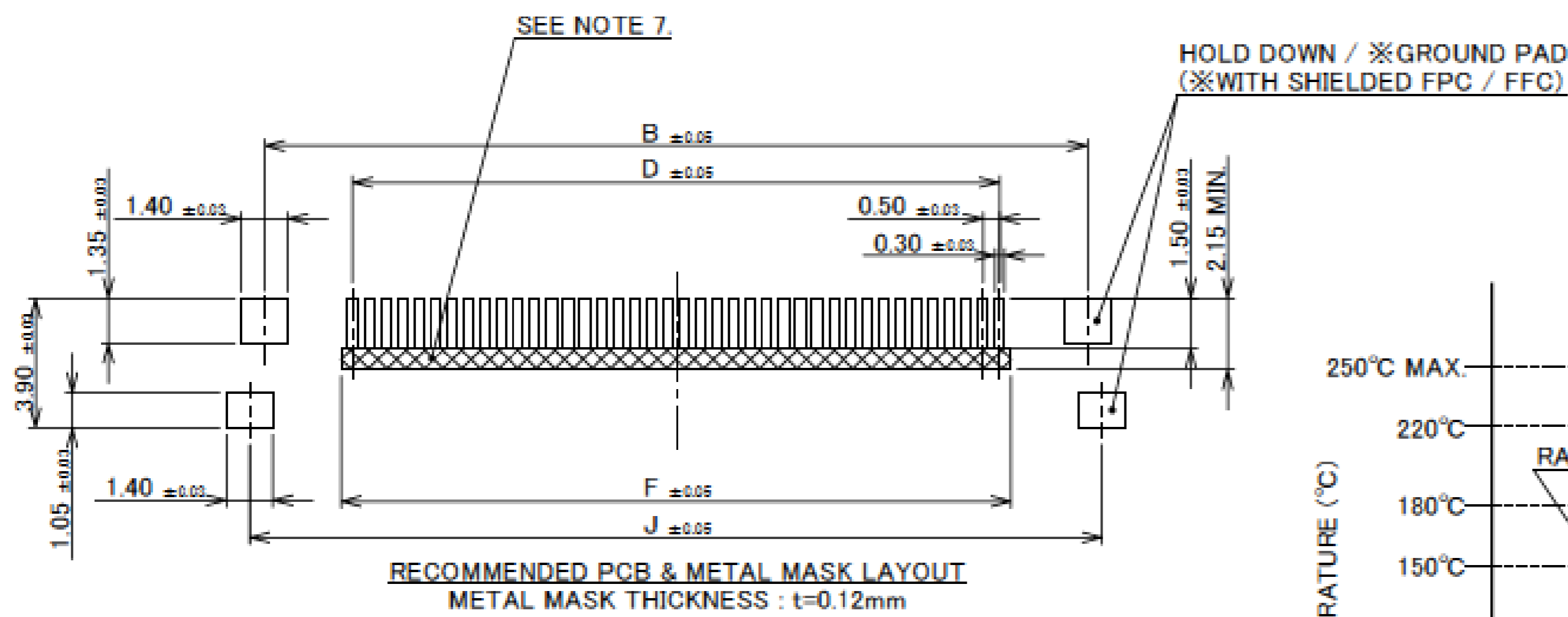
NOTES.
4. MANUFACTURE CASE-I or II
5. DIFFERENTIAL IMPEDANCE : 100 \pm 10 Ω
6. SELECT A MATERIAL WITH A SOFTENING TEMPERATURE OF 85°C OR HIGHER FOR THE PATTERN ADHESIVE PART OF FFC.

NO.	COMPONENTS	MATERIAL	FINISH
13	SHIELD TAPE	METALLIC FILM	
12	INTERLAYER	ARBITRARY	
11	GROUND PLATE	METALLIC FILM	POLISH or HALF POLISH Sn PLATING
10	REINFORCED TAPE	ARBITRARY	
9	INSULATION FILM	ARBITRARY	
8	CONDUCTOR	COPPER ALLOY	CONTACT AREA : Au 0.05 μ m MIN. OVER Ni 0.5 μ m MIN.

Rev.10

Connector Assembly

PART No.	B	D	F	J
20799-020E-01	14.80	9.50	10.20	15.70
20799-030E-01	19.80	14.50	15.20	20.70
20799-040E-01	24.80	19.50	20.20	25.70
20799-050E-01	29.80	24.50	25.20	30.70
20799-060E-01	34.80	29.50	30.20	35.70



NOTES
7. SOLDER RESIST MUST BE APPLIED TO THIS AREA.

Rev.10

ITEMS	SPECIFICATION
RATING VOLTAGE	50V AC/DC (PER CONTACT PIN)
RATING AMPERAGE	0.35A AC/DC (PER CONTACT PIN) AVAILABLE FOR ALL CONTACTS 0.5A AC/DC (PER CONTACT PIN) AVAILABLE UP TO 15 CONTACTS
OPERATING TEMPERATURE	233~398K(-40°C~+125°C)
OPERATING HUMIDITY	85% MAX.(NON-CONDENSING)
CONTACT RESISTANCE	INITIAL : 60mohm MAX. / AFTER TEST : \triangleleft40mohm MAX.
INSULATION RESISTANCE	500Mohm MIN.
DIELECTRIC WITHSTANDING VOLTAGE	AC250V 1min
DURABILITY	50TH CYCLES
FPC/FFC MATING FORCE (INITIAL / 50TH CYCLES)	20P : 15.00 N MAX. 30P : 22.00 N MAX. 40P : 29.00 N MAX. 50P : 36.00 N MAX. 60P : 43.00 N MAX.
FPC/FFC UNMATING FORCE (INITIAL / 50TH CYCLES)	20P : 2.00 N MIN. 30P : 2.70 N MIN. 40P : 3.40 N MIN. 50P : 4.10 N MIN. 60P : 4.80 N MIN.
FPC/FFC RETENTION FORCE (INITIAL / AFTER TEST)	20P : 11.00 N MIN. 30P : 11.70 N MIN. 40P : 12.40 N MIN. 50P : 13.10 N MIN. 60P : 13.80 N MIN.
COPLANARITY	0.10 MAX.
PRODUCT SPECIFICATION	PRS-2305
TEST REPORT	TR-17100
PACKING STANDARD	PST-18002
INSTRUCTION MANUAL	HIM-16039
APPEARANCE CRITERIA No.	QLS-A***


Rev.10

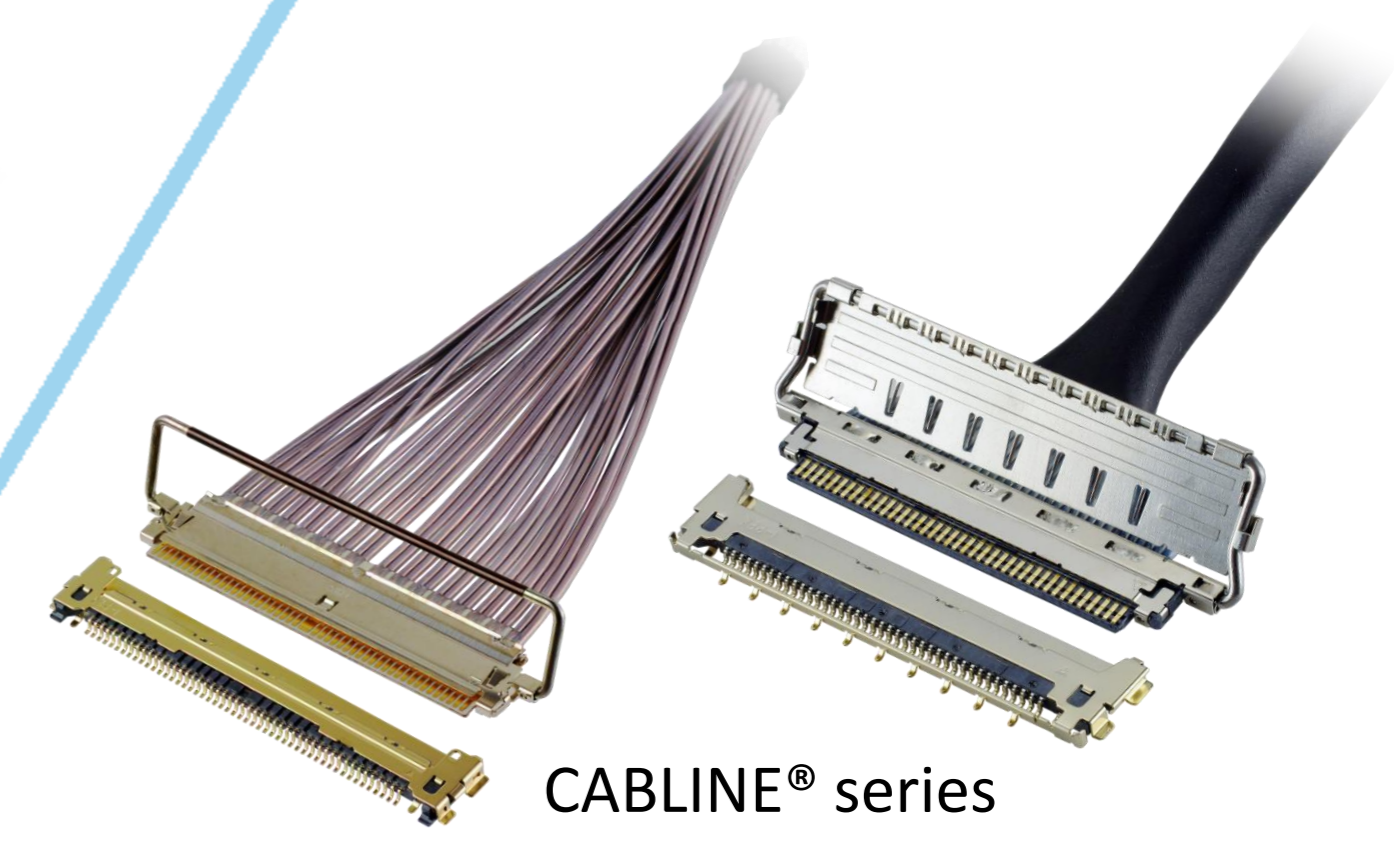
Custom Connectors Available

 RF Connector

MHF® series



 CABLINE® series
Micro-coaxial/Twinax/
Discrete Wire Connector



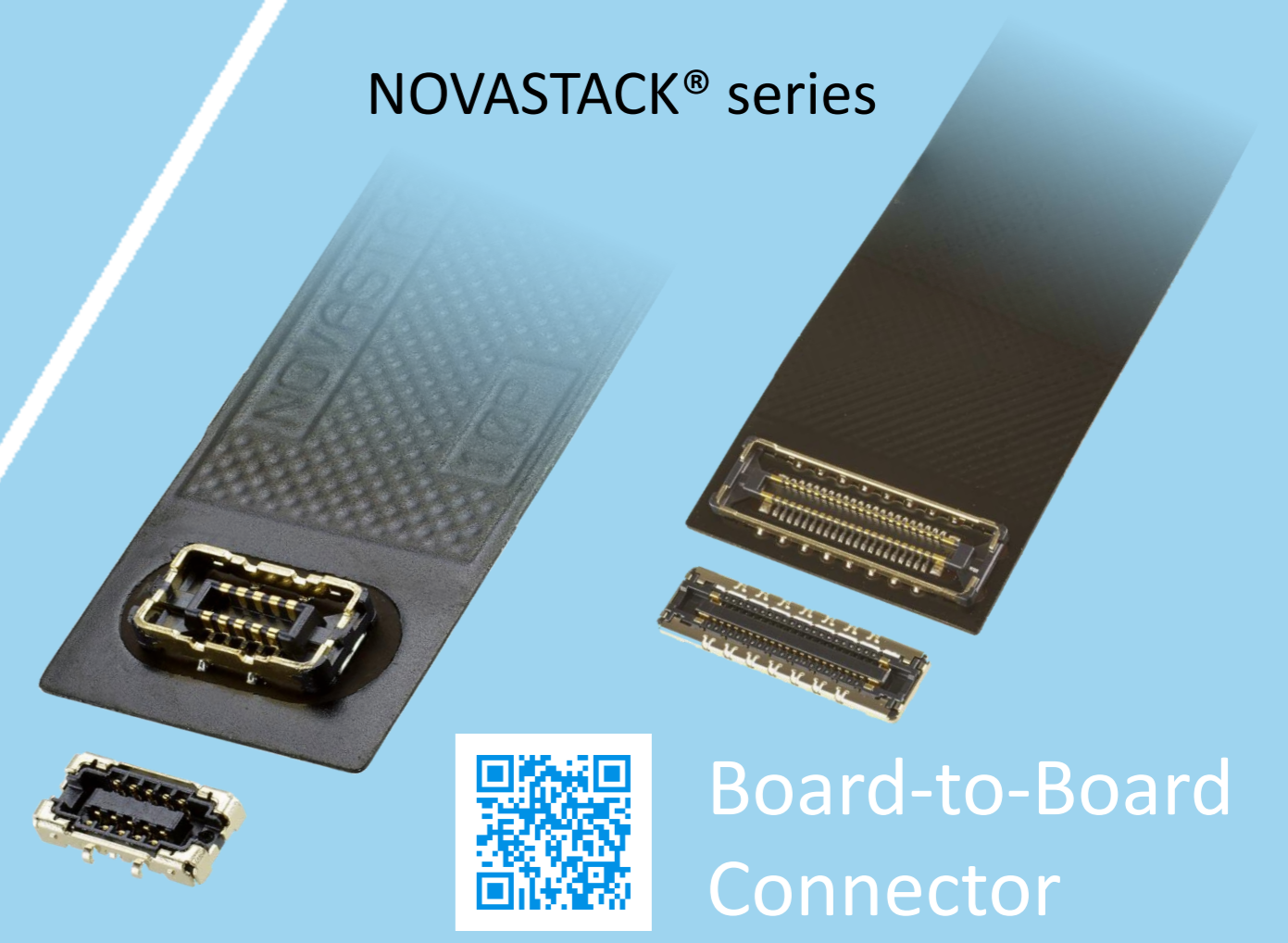
 Optical Module

LIGHTPASS® series



NOVASTACK® series

 Board-to-Board Connector



 Power Connector/
Terminal

AP series

ISH® series



MINIFLEX® series

EVAFLEX® series

 FPC FFC Connector

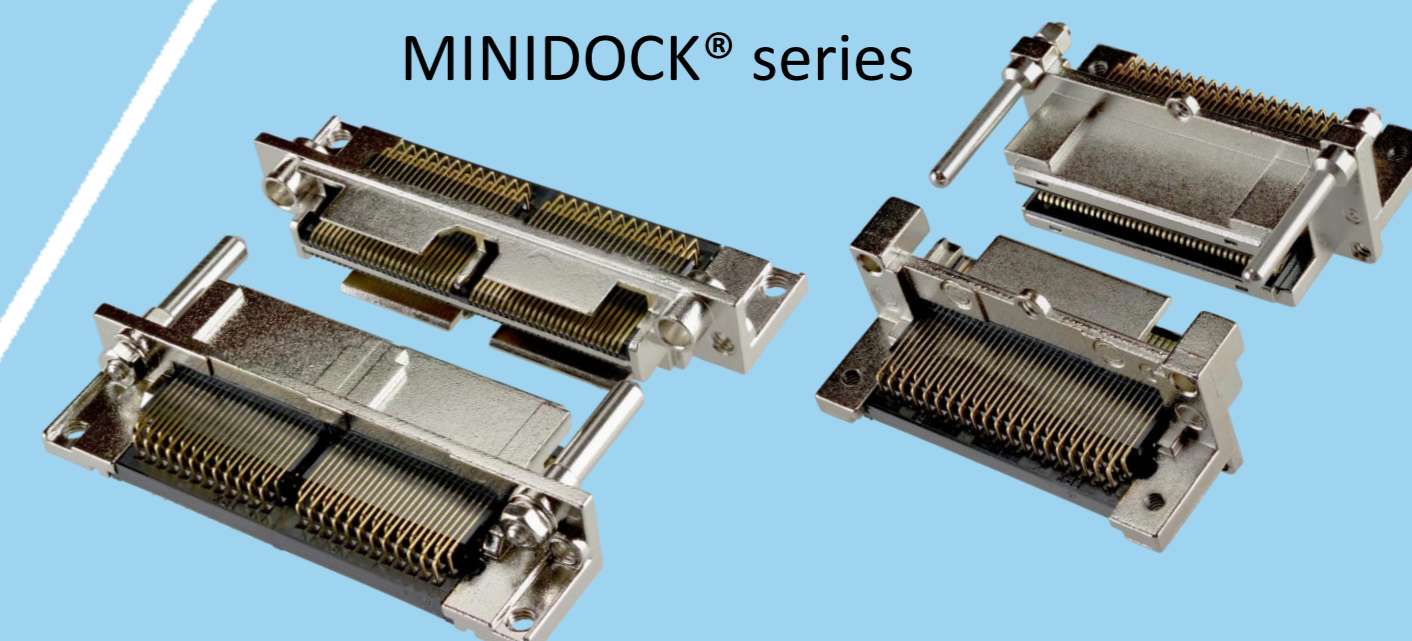


Inquiry



MINIDOCK® series

 I/O Connector



I-PEX, MHF, CABLINE, LIGHTPASS, NOVASTACK, ISH, IARPB, MINIFLEX, EVAFLEX, MINIDOCKS and ZenShield are registered trademarks of I-PEX Inc. Please note that the contents in the catalog might be changed without prior notification. I-PEX Inc. assumes no responsibility for any inaccuracies or obligation to update information on these documents. Please be sure to read and understand the latest "Precautions for Use" and "Instruction Manual" before you use our products. We shall not be responsible for any defects, damages or troubles in case you use our products without following the precautions for use. Please feel free to contact our sales representatives when you use our products for any applications that require very high reliability and safety, or that relate to human life (ex. nuclear power control, aerospace, transportation, medical equipment, safety equipment etc.).

Contact your sales representative or more detailed information.

www.i-pex.com



I-PEX

© I-PEX Inc. 2024
All rights reserved