

# EVAFLEX® 5-SE-G HT

单手作业的自动锁扣特色, 高温环境(125°C), 高速数据传输, 水平插拔, 0.5 mm 间距带屏蔽的FFC/FPC连接器

## Product Specifications:

Board Pitch (mm)	0.5	
Wiping Length (mm)	1.2	
Size (mm)	Height	3.65 +/- 0.20
	Width	Formula: 8.00 + (0.5*?p)
	Depth	7.00 +/- 0.30
Pin counts	Range	20 - 60
	Available	30, 50

\*如您需要了解未列出或不在范围内的Pin数, 请咨询我们。

## Applicable FPC/FFC:

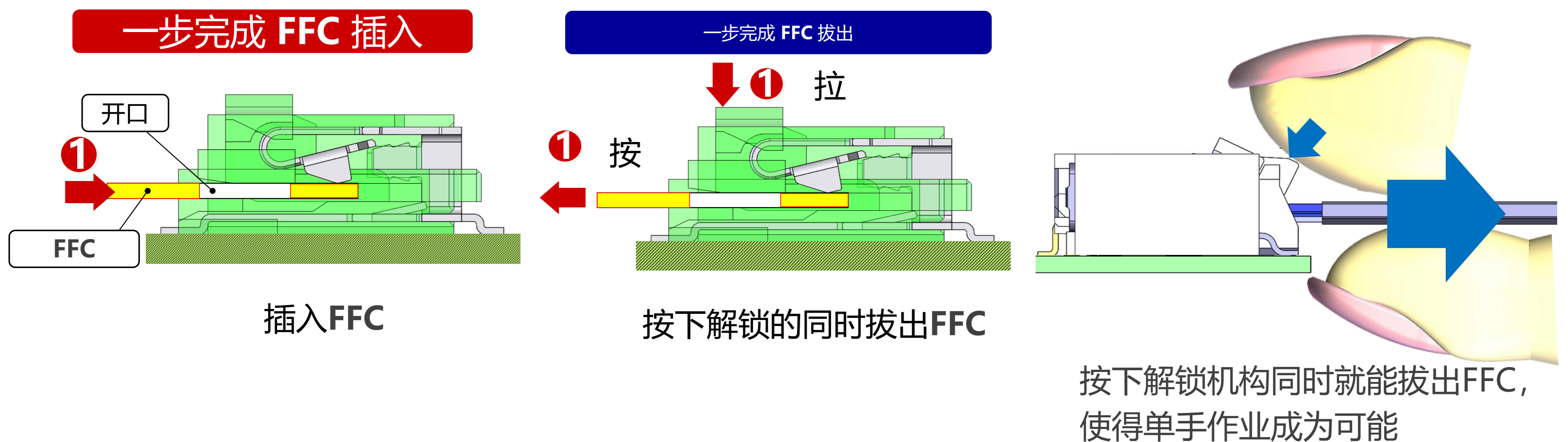
FPC/FFC Type	Shielded FFC, Non-shielded FFC/FPC
FPC/FFC Contact Point	Bottom
FPC/FFC Thickness (mm)	0.30 +/- 0.03

## Applicable Standards (Reference Only):

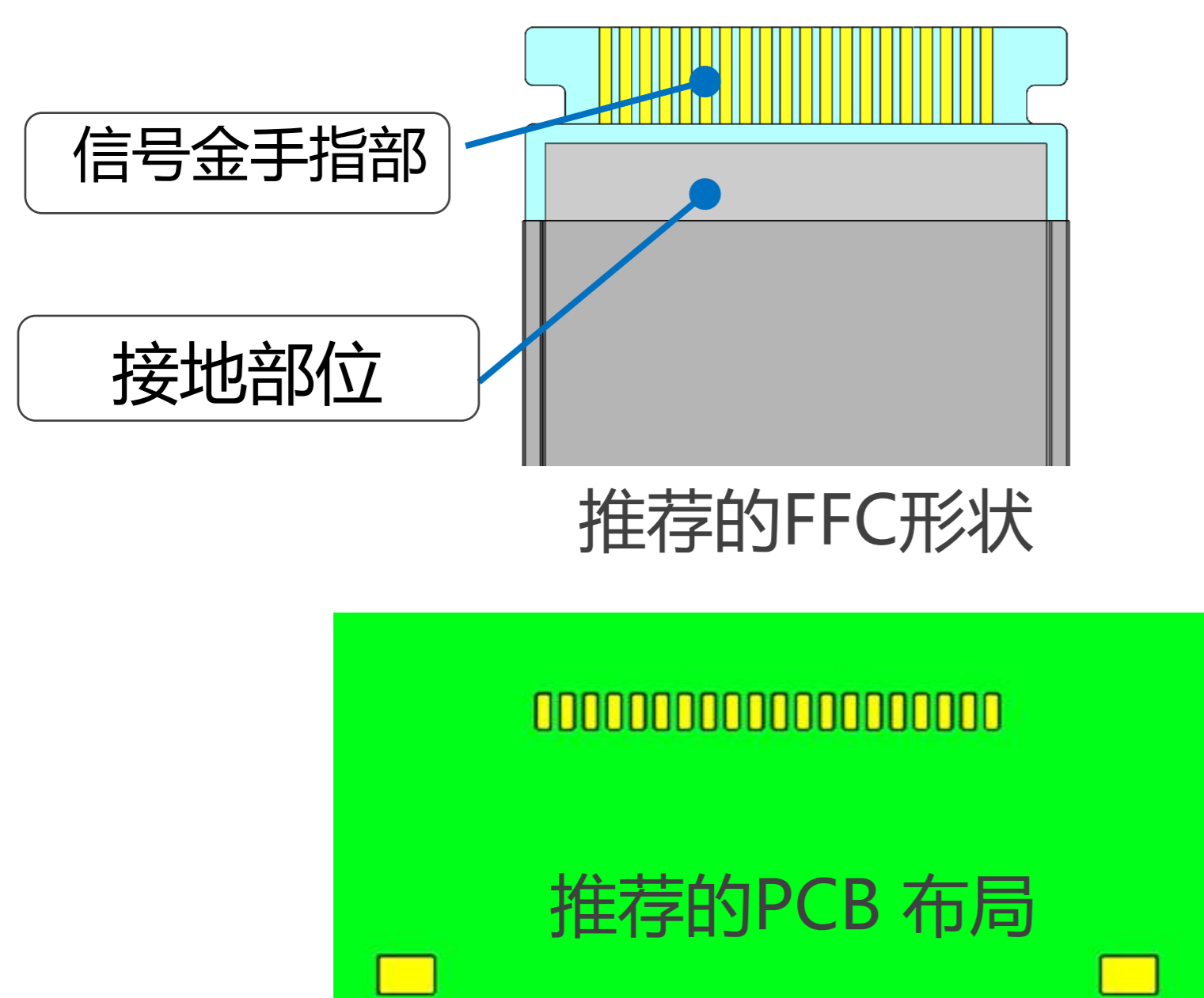
eDP (2.7 Gbps) V-By-One HS 1.4 (4 Gbps)



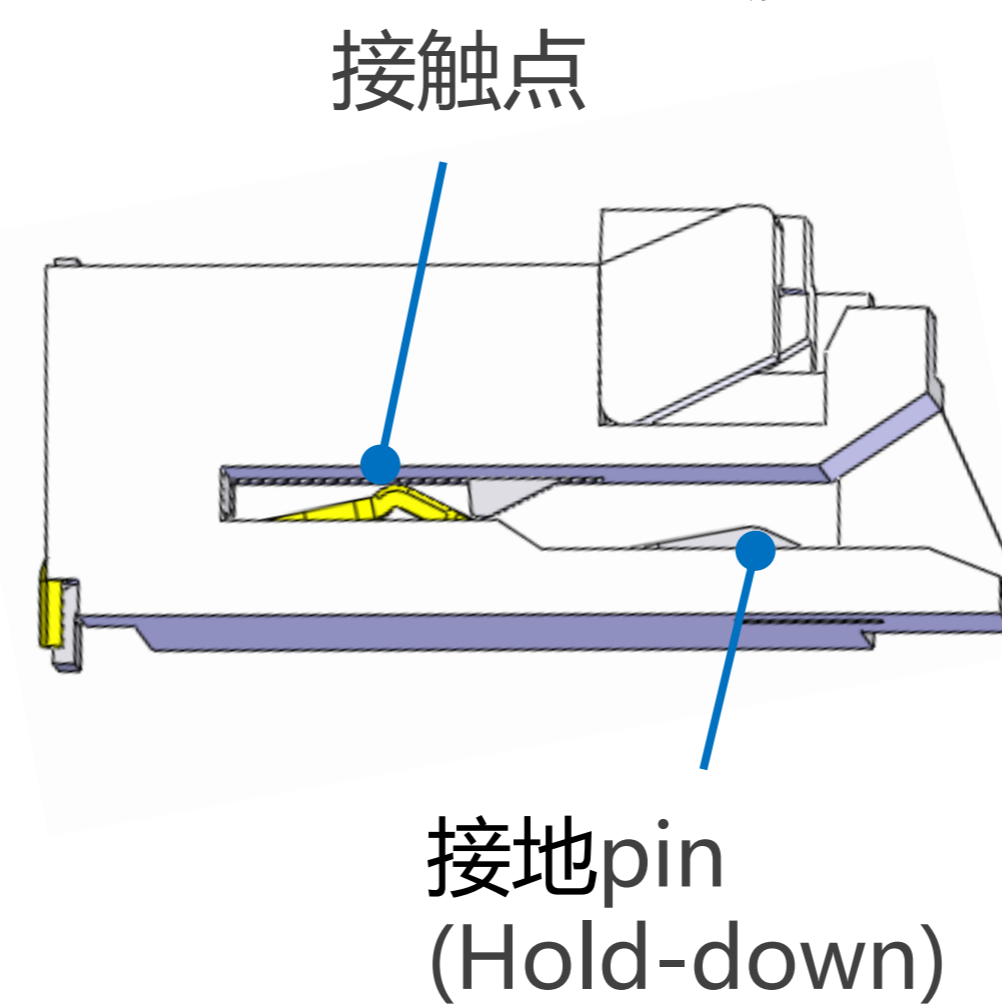
## 自动锁扣的设计可实现单手作业,适用于手动 或机器人装配



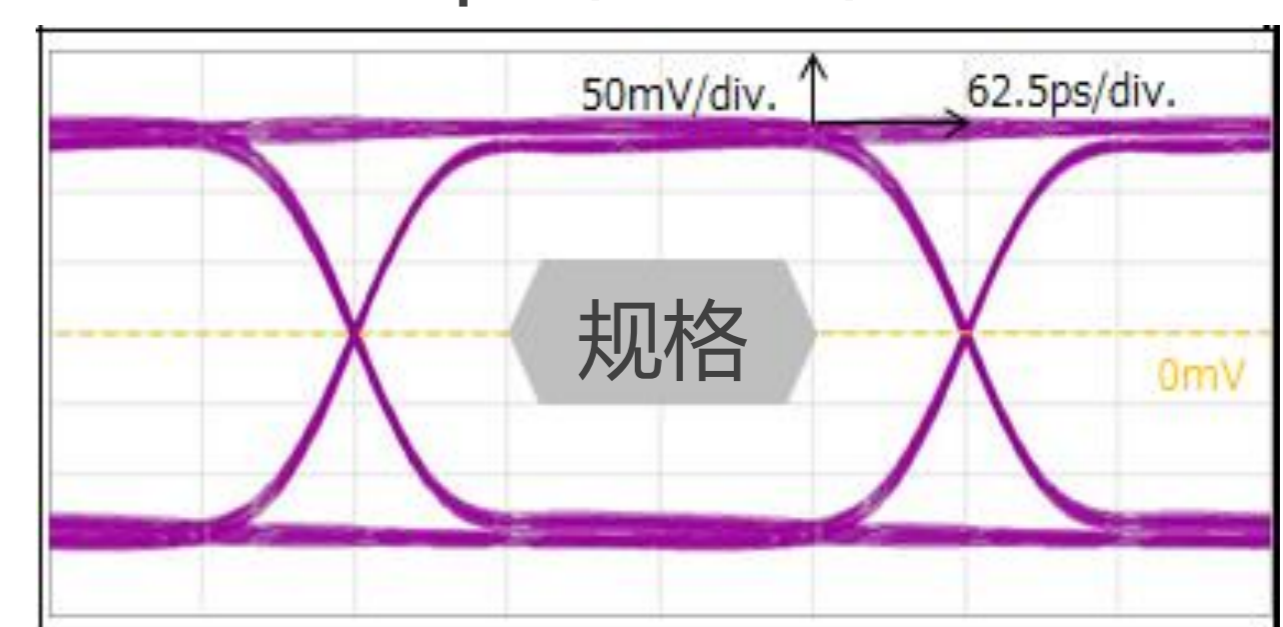
## 支持高速数据传输(4+ Gbps V-by-One® HS)



Hold Down结构带有接地pin可作为接地使用, 支持高速数据传输, 目标速度: 达到 4+ Gbps (V-by-One® HS)



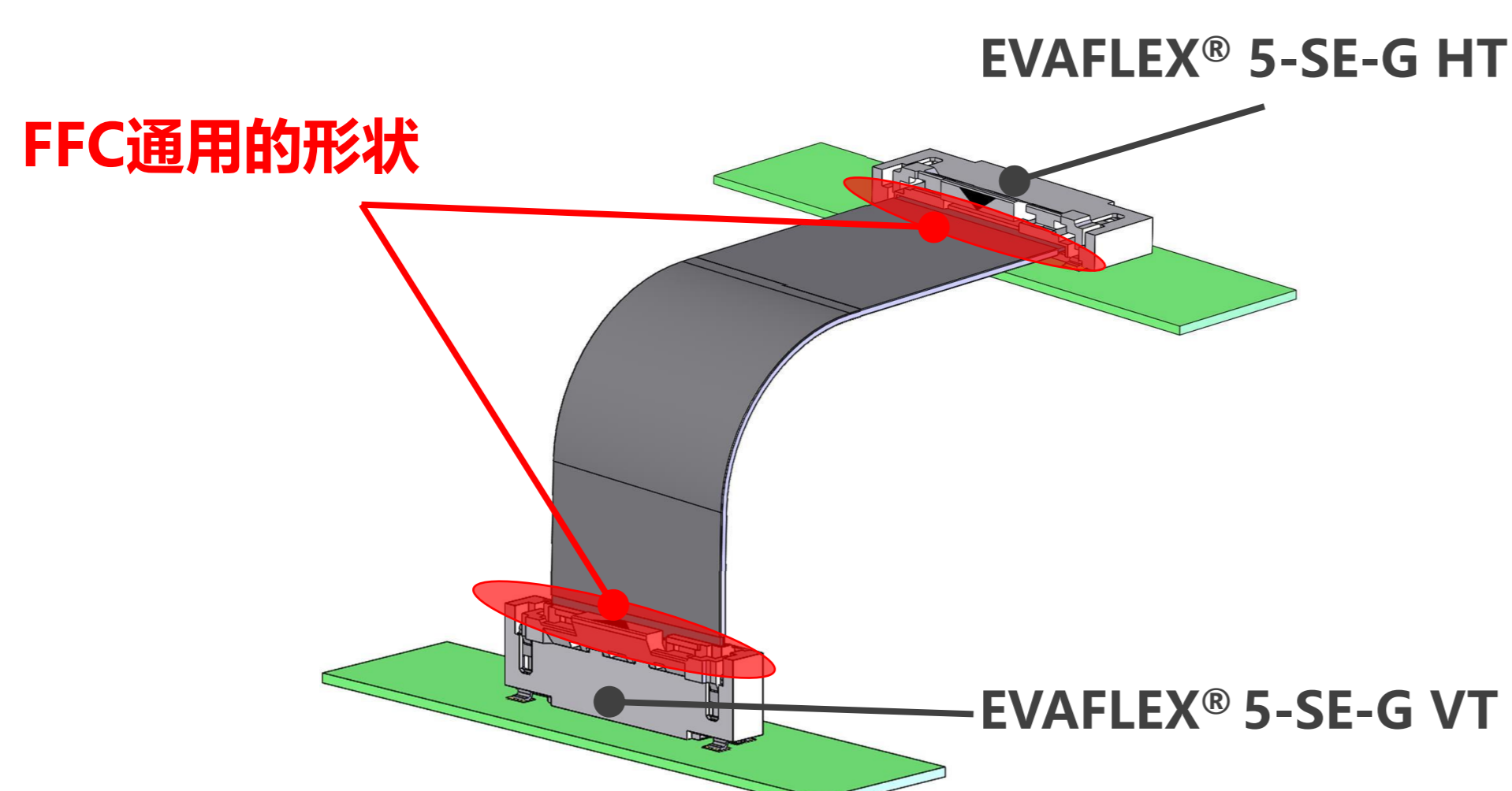
眼图 4 Gbps (actual)



## EVAFLEX® 系列: 更多选择的自动锁扣连接器

水平插拔款使用相同的FFC : EVAFLEX® 5-SE-G VT

速度更快, 体积更小: EVAFLEX® 5-VS Type CH



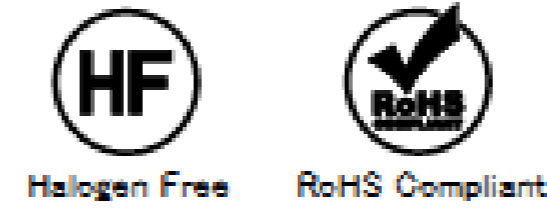
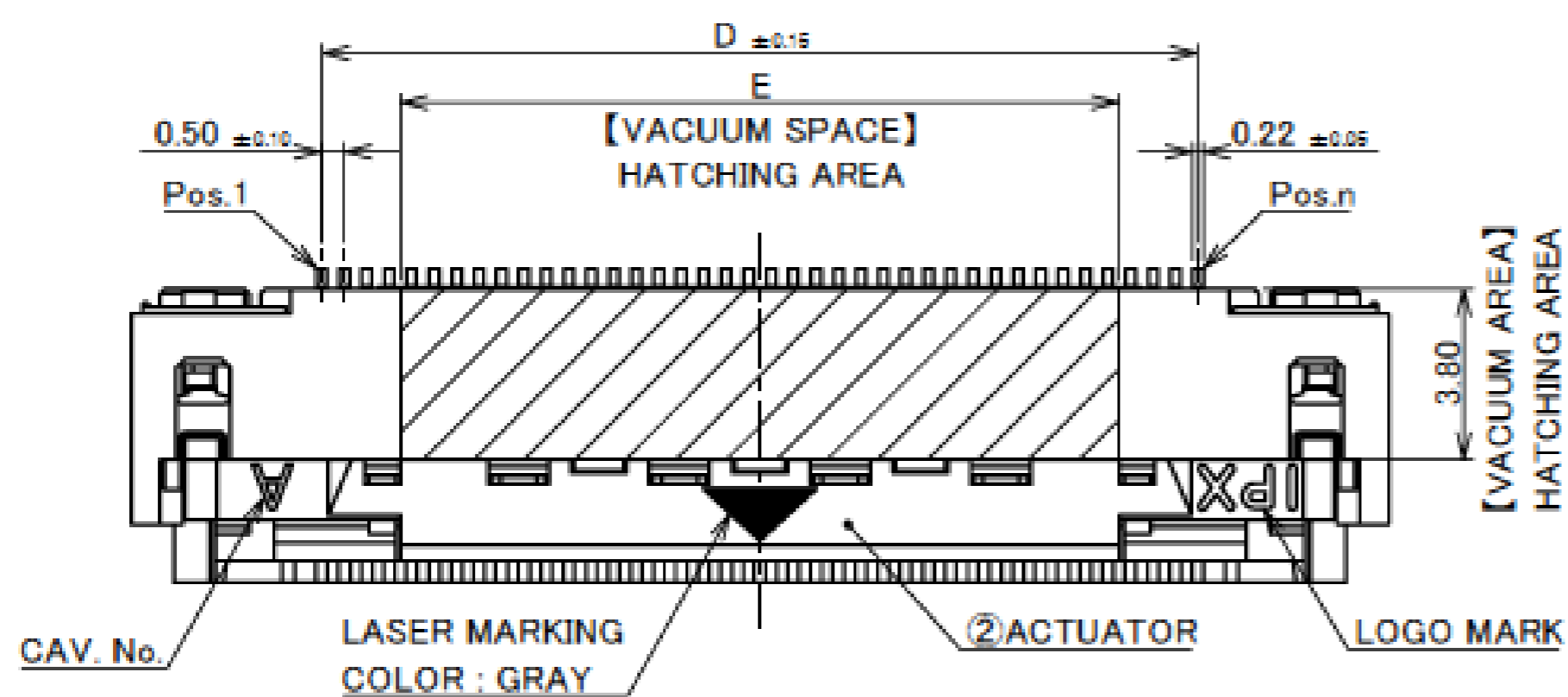
	EVAFLEX® 5-SE-G VT	EVAFLEX® 5-VS
Height (mm)	6.60 +/- 0.1	1.90 +/- 0.1
Operation Temperature	~ 125°C	~ 105°C
Reference Performance	V-by-one HS 1.4 (4+ Gbps)	PCIe Gen 3 (8+ Gbps)



# Component Parts Details

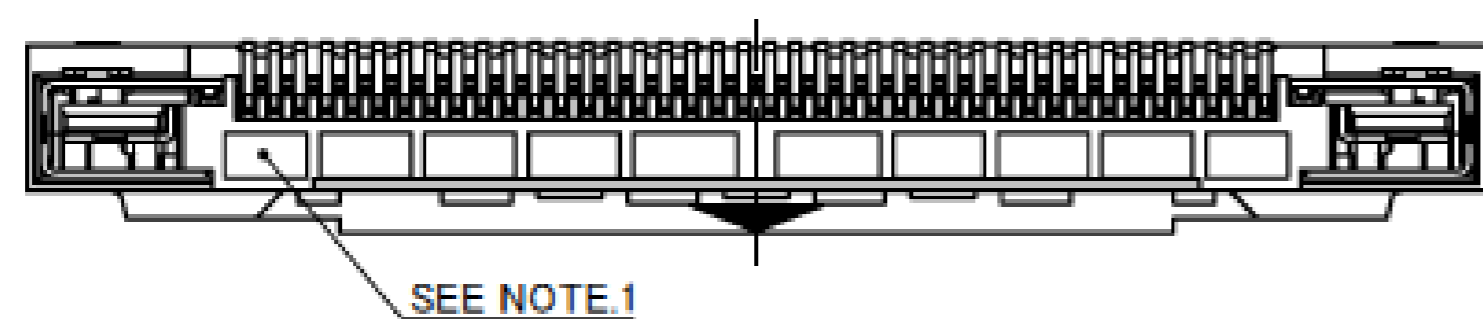
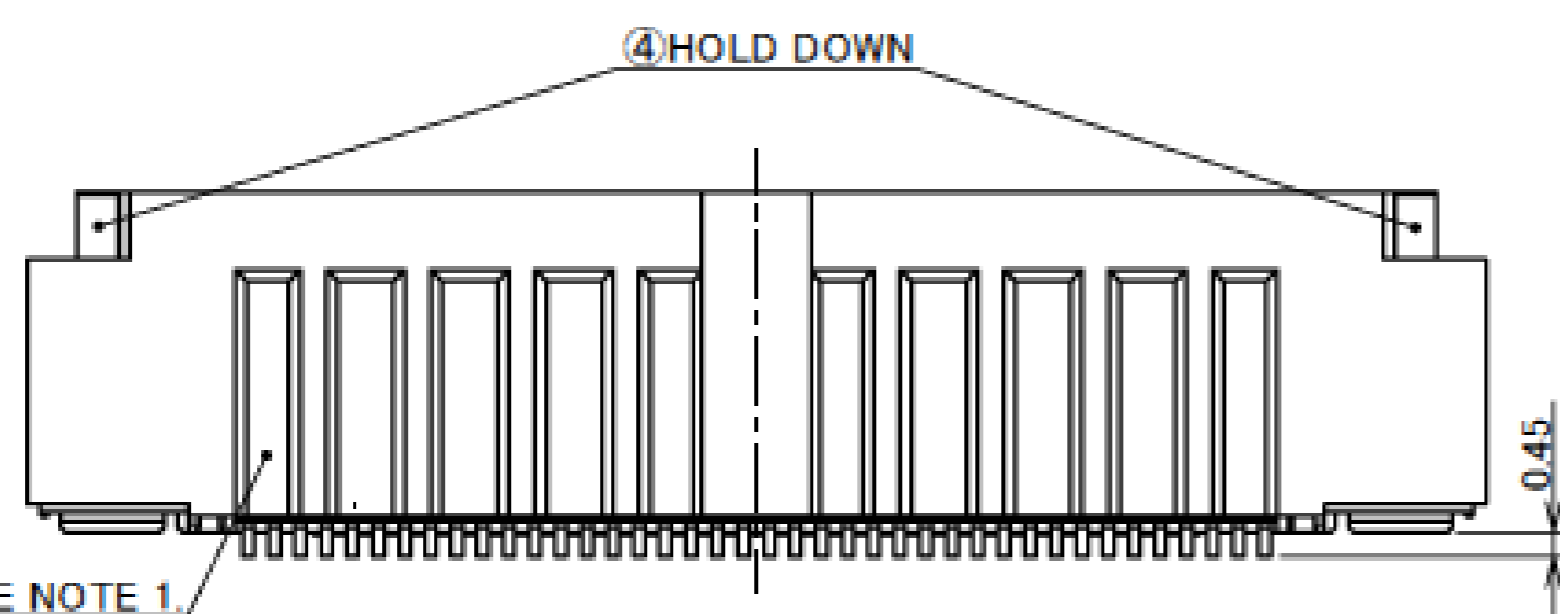
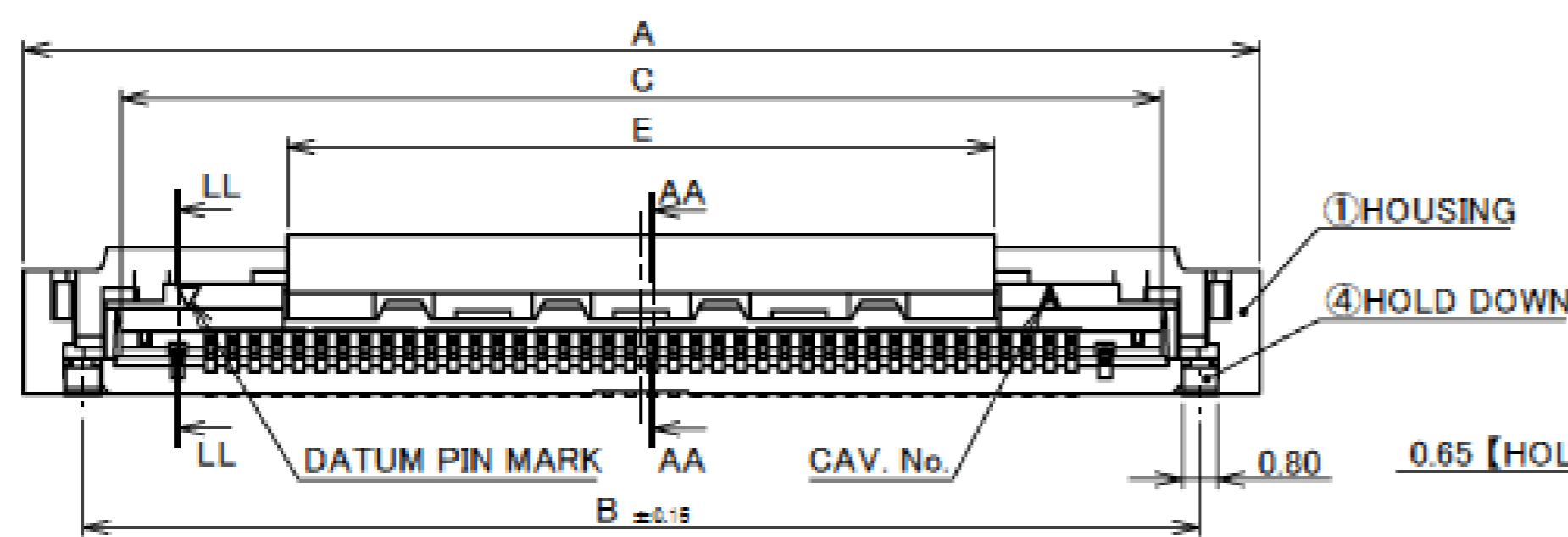
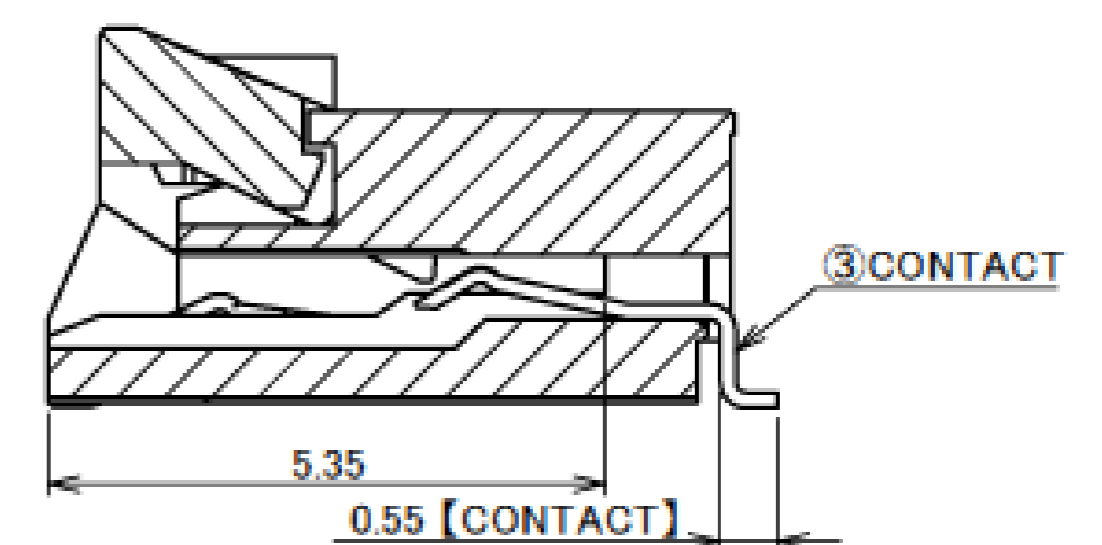
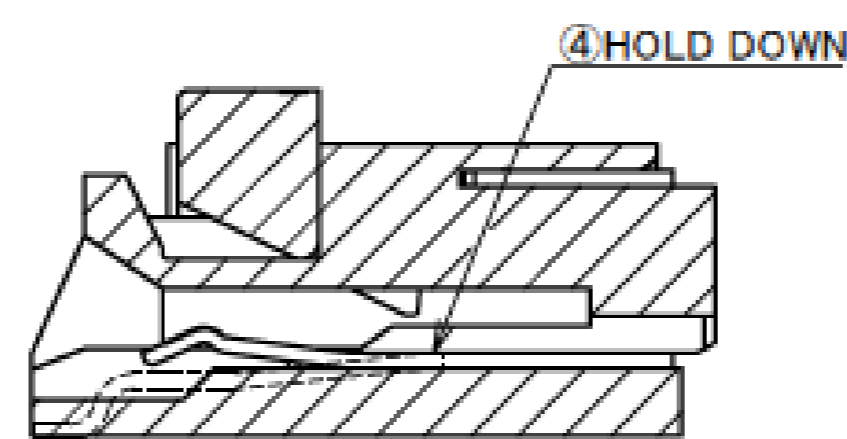
## Connector Assembly

Recommended P/N 20899-0\*\*E-01



PART No.	A	B	C	D	E
◆20899-020E-01	18.00	15.30	13.56	9.50	6.00
20899-030E-01	23.00	20.30	18.56	14.50	11.00
◆20899-040E-01	28.00	25.30	23.56	19.50	16.00
20899-050E-01	33.00	30.30	28.56	24.50	21.00
◆20899-060E-01	38.00	35.30	33.56	29.50	26.00

◆MARK MEANS NOT AVAILABLE.



NOTES.  
1. DENT SHAPE SHOWN ON DRAWING IS JUST FOR REFERENCE.  
DENT SHAPE AND QUANTITY MIGHT CHANGE FROM DIFFERENT PIN COUNT AND DIFFERENT TOOLING.

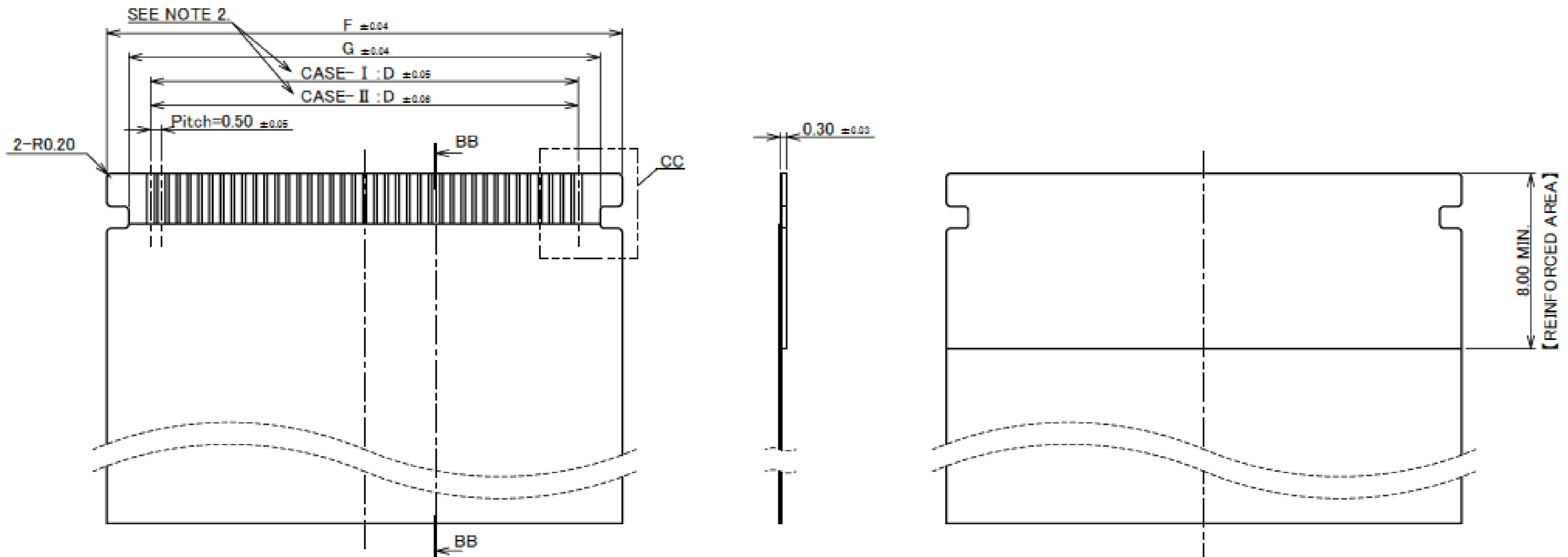
NO.	DISCRIPTION	MATERIAL	FINISH , REMARKS
4	HOLD DOWN	CORSON ALLOY	SOLDERING AREA : Au 0.03μm MIN. OVER Ni 1.00μm MIN.
3	CONTACT	CORSON ALLOY	CONTACT AREA AND SOLDERING AREA : Au 0.03μm MIN. OVER Ni 1.00μm MIN.
2	ACTUATOR	LCP	UL94V-0, BEIGE
1	HOUSING	LCP	UL94V-0, BEIGE

# Connector Assembly

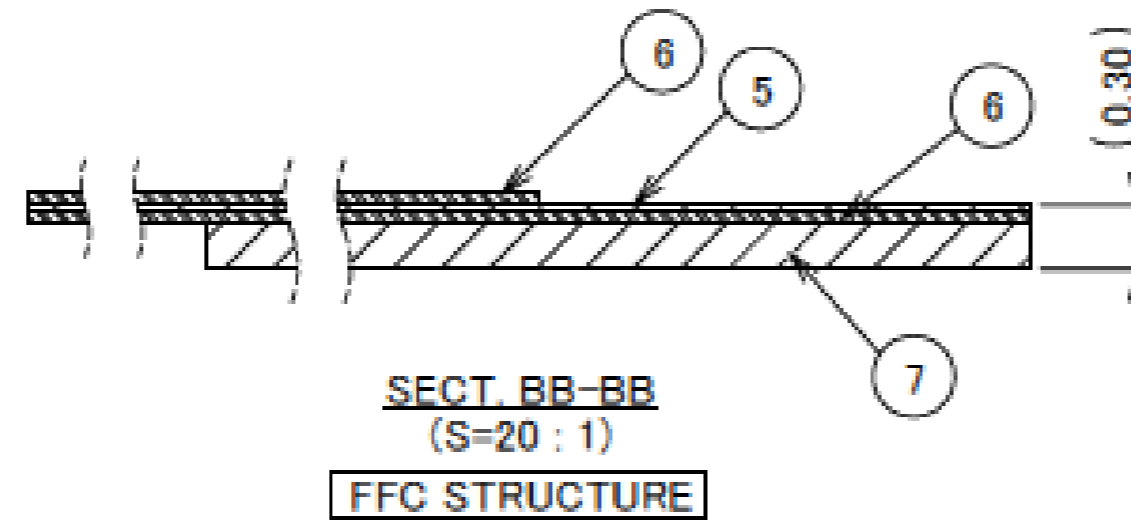
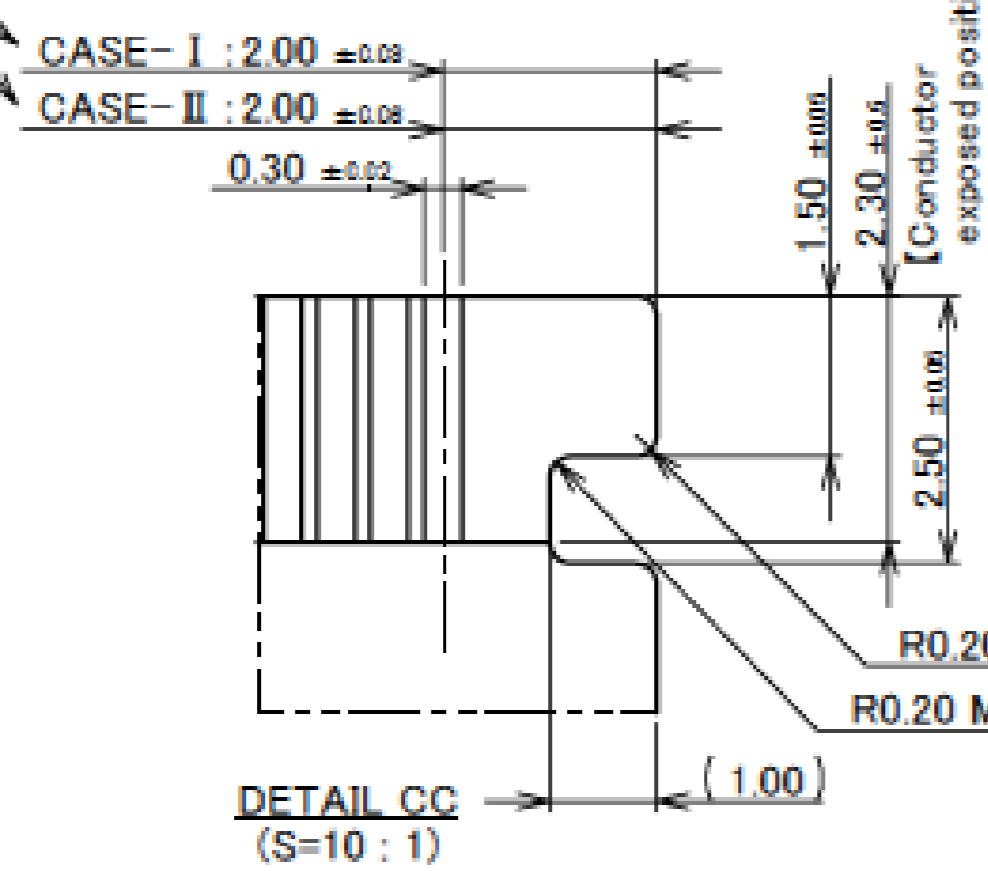
PART No.	D	F	G
◆20899-020E-01	9.50	13.50	11.50
20899-030E-01	14.50	18.50	16.50
◆20899-040E-01	19.50	23.50	21.50
20899-050E-01	24.50	28.50	26.50
◆20899-060E-01	29.50	33.50	31.50

◆MARK MEANS NOT AVAILABLE.

## RECOMMENDED FFC LAYOUT 【NON SHIELDED TYPE】



SEE NOTE 2.



NOTES.

2. MANUFACTURE CASE- I or II
3. SELECT A MATERIAL WITH A SOFTENING TEMPERATURE OF 85°C OR HIGHER FOR THE PATTERN ADHESIVE PART OF FFC.

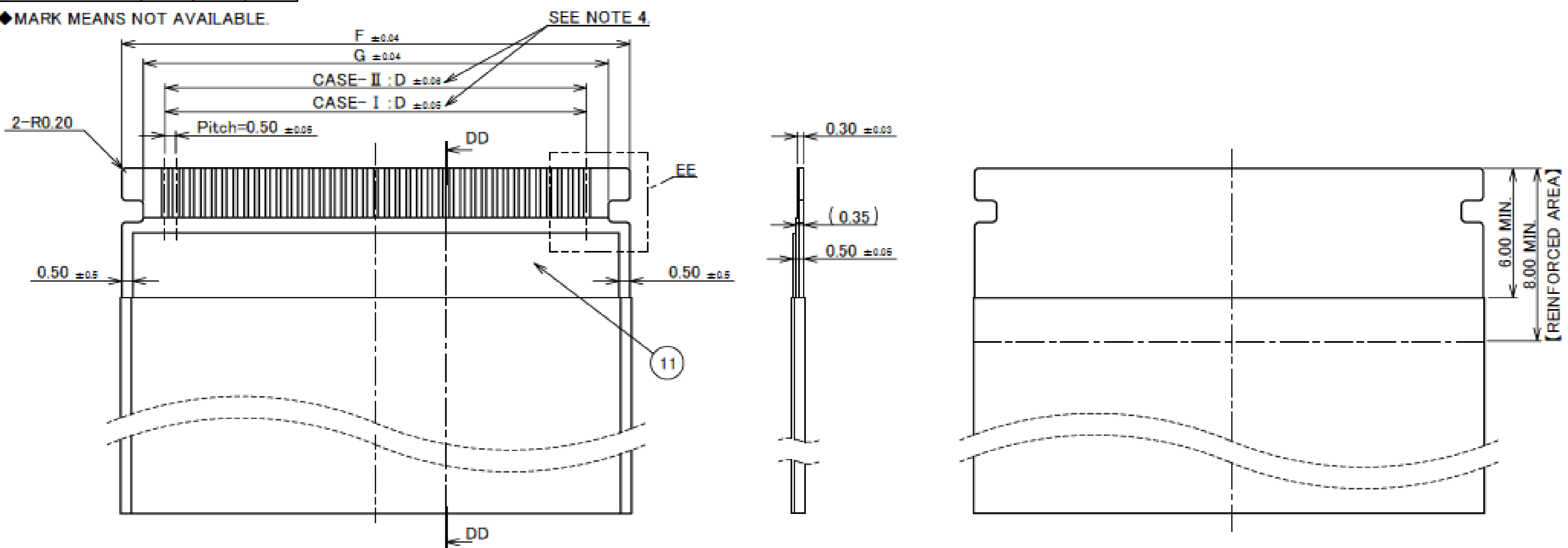
NO.	COMPONENTS	MATERIAL	FINISH
7	REINFORCED TAPE	ARBITRARY	
6	INSULATION FILM	ARBITRARY	
5	CONDUCTOR	COPPER ALLOY	CONTACT AREA : Au 0.05 μm MIN. OVER Ni 0.5 μm MIN.

Rev.5

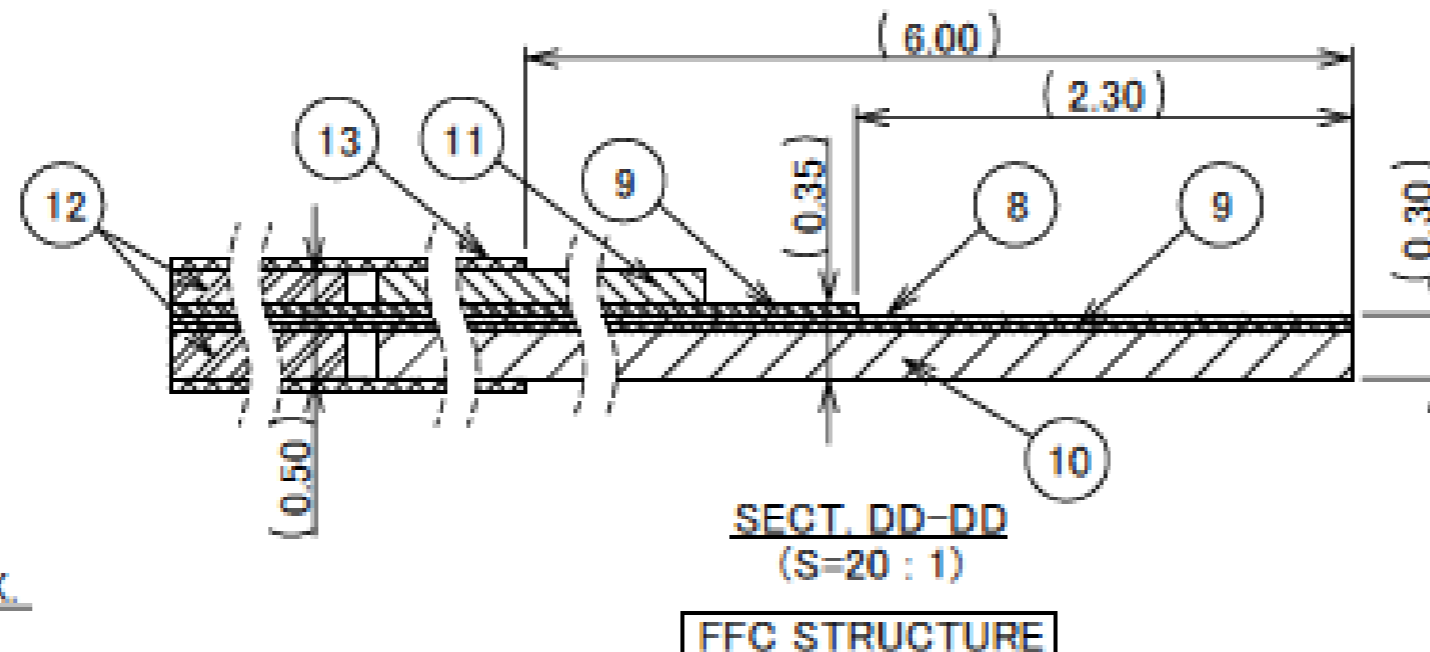
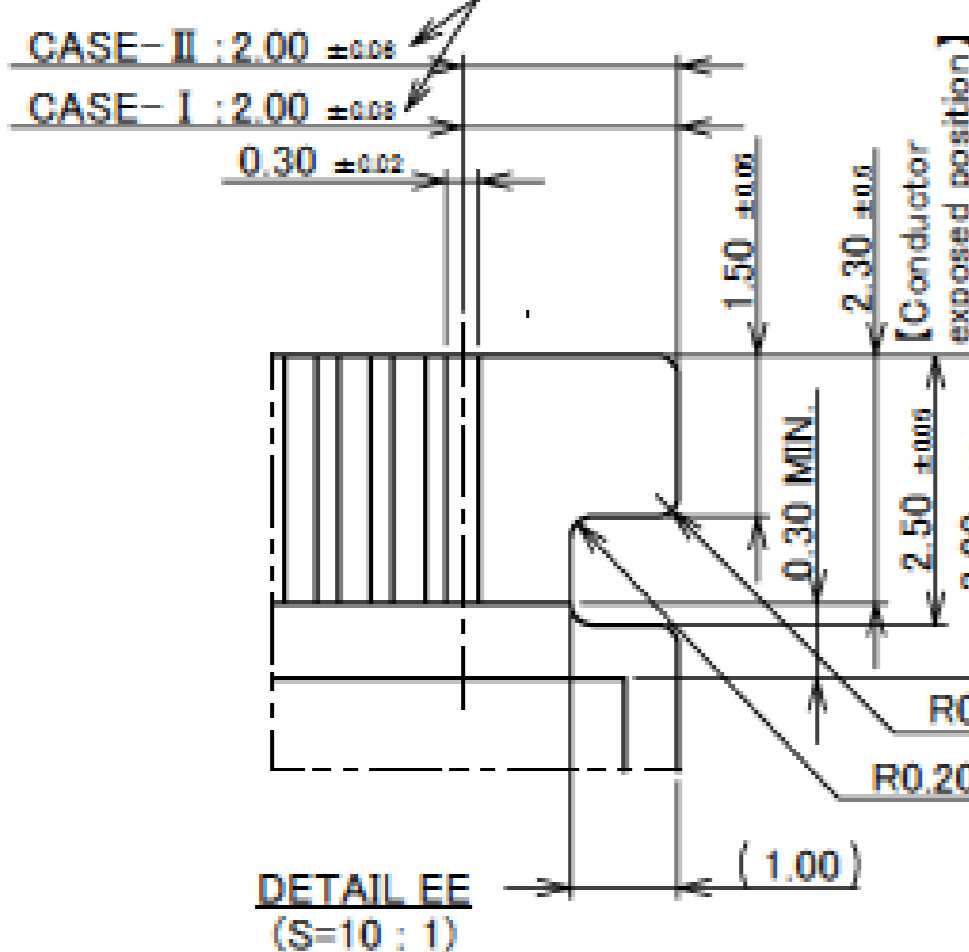
PART No.	D	F	G
◆20899-020E-01	9.50	13.50	11.50
20899-030E-01	14.50	18.50	16.50
◆20899-040E-01	19.50	23.50	21.50
20899-050E-01	24.50	28.50	26.50
◆20899-060E-01	29.50	33.50	31.50

◆MARK MEANS NOT AVAILABLE.

## RECOMMENDED FFC LAYOUT 【SHIELDED TYPE】



SEE NOTE 4.



NOTES.

4. MANUFACTURE CASE- I or II
5. DIFFERENTIAL IMPEDANCE : 100±10 Ω
6. SELECT A MATERIAL WITH A SOFTENING TEMPERATURE OF 85°C OR HIGHER FOR THE PATTERN ADHESIVE PART OF FFC.

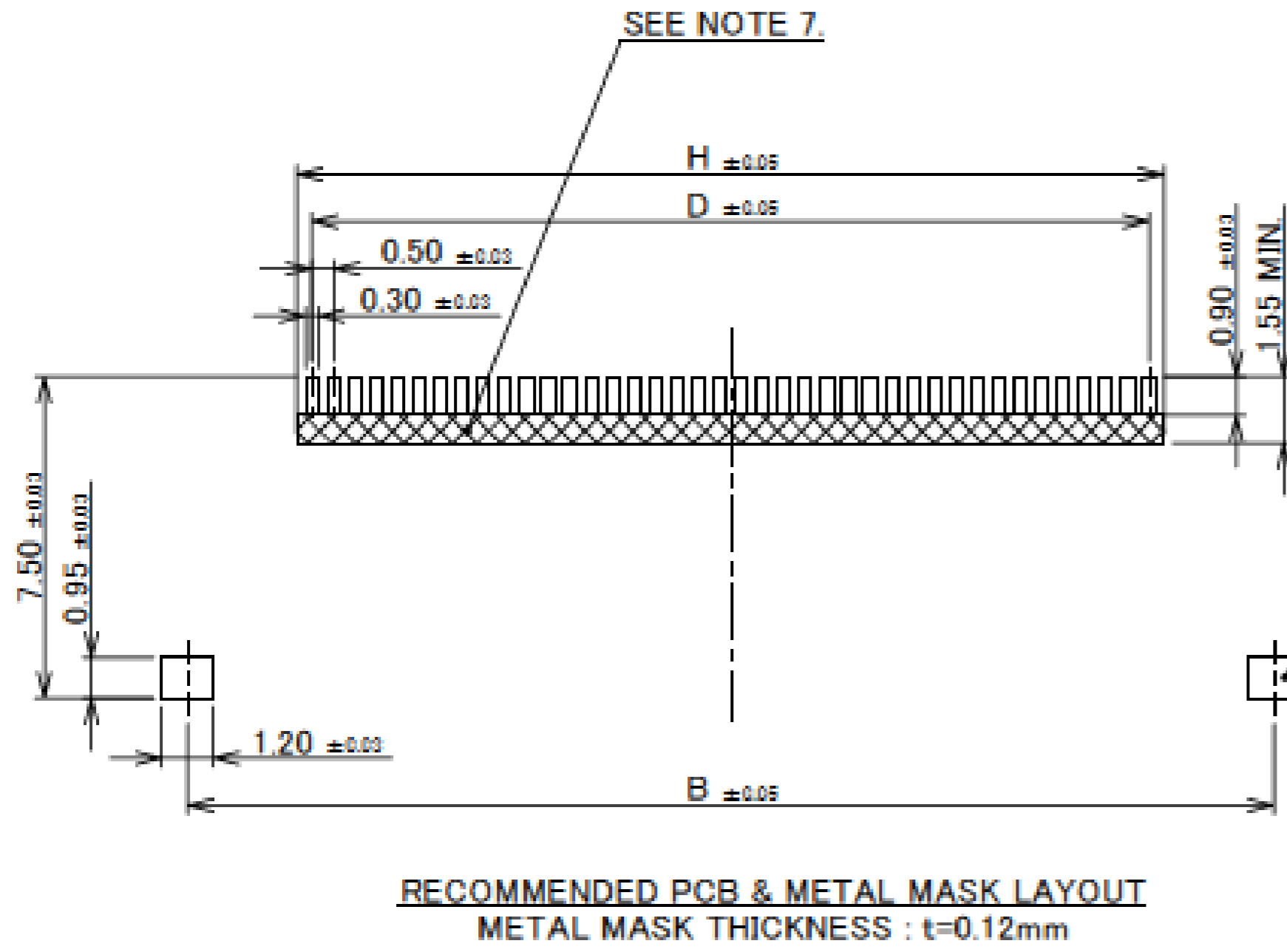
NO.	COMPONENTS	MATERIAL	FINISH
13	SHIELD TAPE	METALLIC FILM	
12	INTERLAYER	ARBITRARY	
11	GROUND PLATE	METALLIC FILM	POLISH or HALF POLISH Sn PLATING
10	REINFORCED TAPE	ARBITRARY	
9	INSULATION FILM	ARBITRARY	
8	CONDUCTOR	COPPER ALLOY	CONTACT AREA : Au 0.05 μm MIN. OVER Ni 0.5 μm MIN.

Rev.5

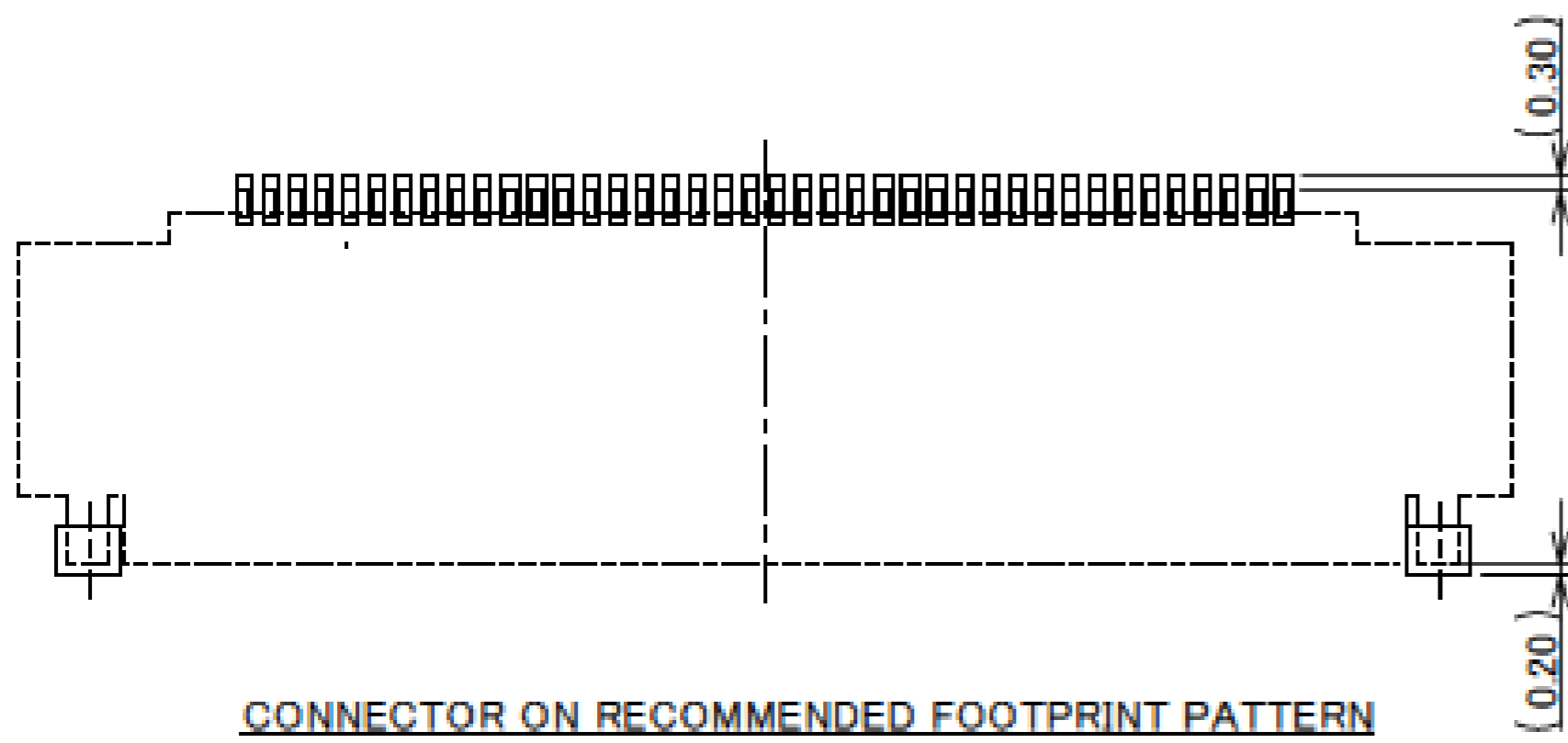
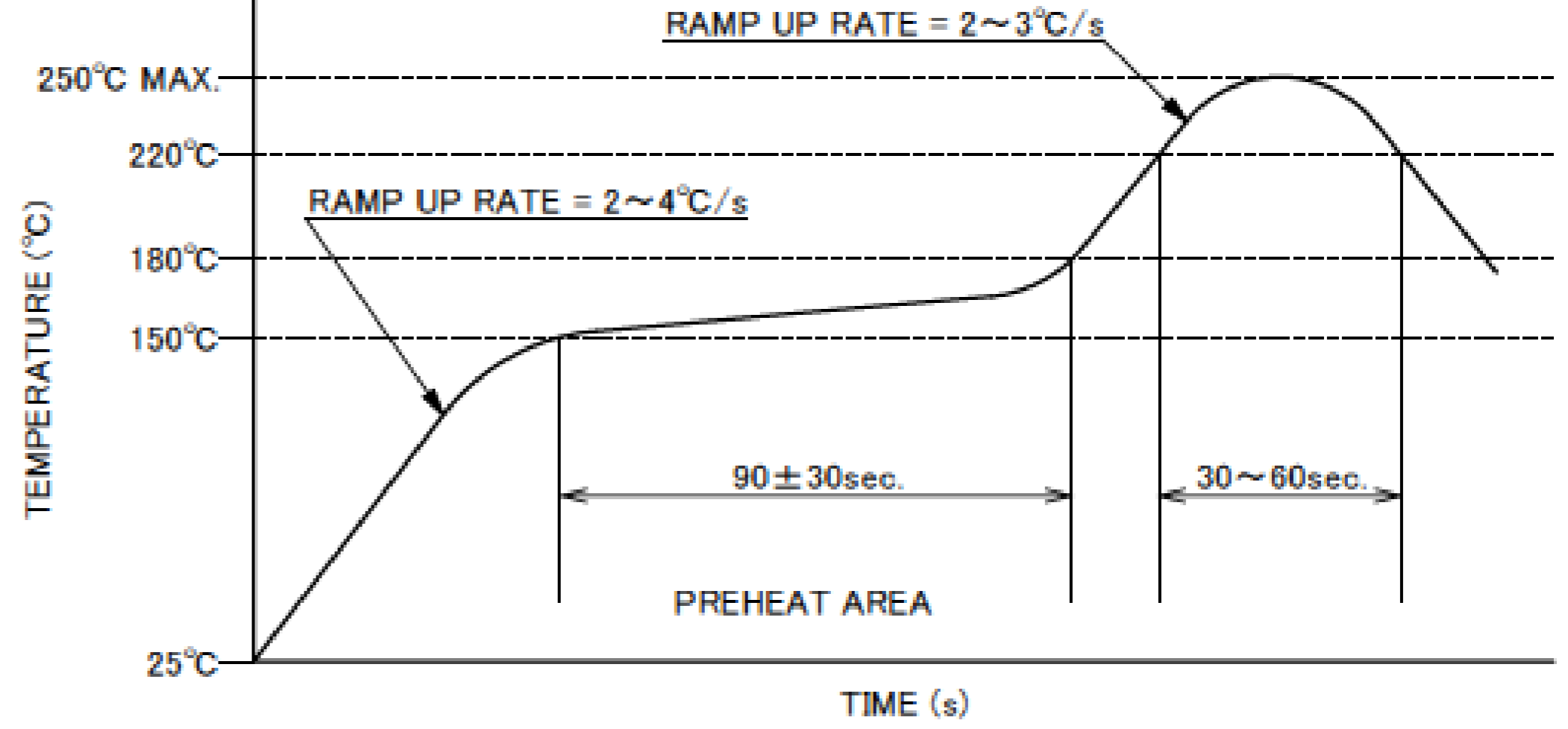
# Connector Assembly

PART No.	B	D	H
◆20899-020E-01	15.30	9.50	10.20
20899-030E-01	20.30	14.50	15.20
◆20899-040E-01	25.30	19.50	20.20
20899-050E-01	30.30	24.50	25.20
◆20899-060E-01	35.30	29.50	30.20

◆MARK MEANS NOT AVAILABLE.



HOLD DOWN / ※GROUND PAD  
(※WITH SHIELDED FPC / FFC)



NOTES

7. SOLDER RESIST MUST BE APPLIED TO THIS AREA.

Rev.5

ITEMS	SPECIFICATION
RATING VOLTAGE	50V AC/DC (PER CONTACT PIN)
RATING AMPERAGE	0.35A AC/DC (PER CONTACT PIN) AVAILABLE FOR ALL CONTACTS 0.5A AC/DC (PER CONTACT PIN) AVAILABLE UP TO 15 CONTACTS
OPERATING TEMPERATURE	233~398K(-40°C~+125°C)
OPERATING HUMIDITY	85% MAX.(NON-CONDENSING)
CONTACT RESISTANCE	INITIAL : 60mohm MAX. / AFTER TEST : <math>\triangle</math>40mohm MAX.
INSULATION RESISTANCE	500Mohm MIN.
DIELECTRIC WITHSTANDING VOLTAGE	AC250V 1min
DURABILITY	50TH CYCLES
FPC/FFC MATING FORCE (INITIAL / 50TH CYCLES)	20P : 15.00 N MAX. 30P : 22.00 N MAX. 40P : 29.00 N MAX. 50P : 36.00 N MAX. 60P : 43.00 N MAX.
FPC/FFC UNMATING FORCE (INITIAL / 50TH CYCLES)	20P : 2.00 N MIN. 30P : 2.70 N MIN. 40P : 3.40 N MIN. 50P : 4.10 N MIN. 60P : 4.80 N MIN.
FPC/FFC RETENTION FORCE (INITIAL / AFTER TEST)	20P : 11.00 N MIN. 30P : 11.70 N MIN. 40P : 12.40 N MIN. 50P : 13.10 N MIN. 60P : 13.80 N MIN.
COPLANARITY	0.10 MAX.
PRODUCT SPECIFICATION	PRS-2470
TEST REPORT	TR-18020
PACKING STANDARD	PST-19019
INSTRUCTION MANUAL	HIM-18018
APPEARANCE CRITERIA No.	QLS-A***


Rev.5

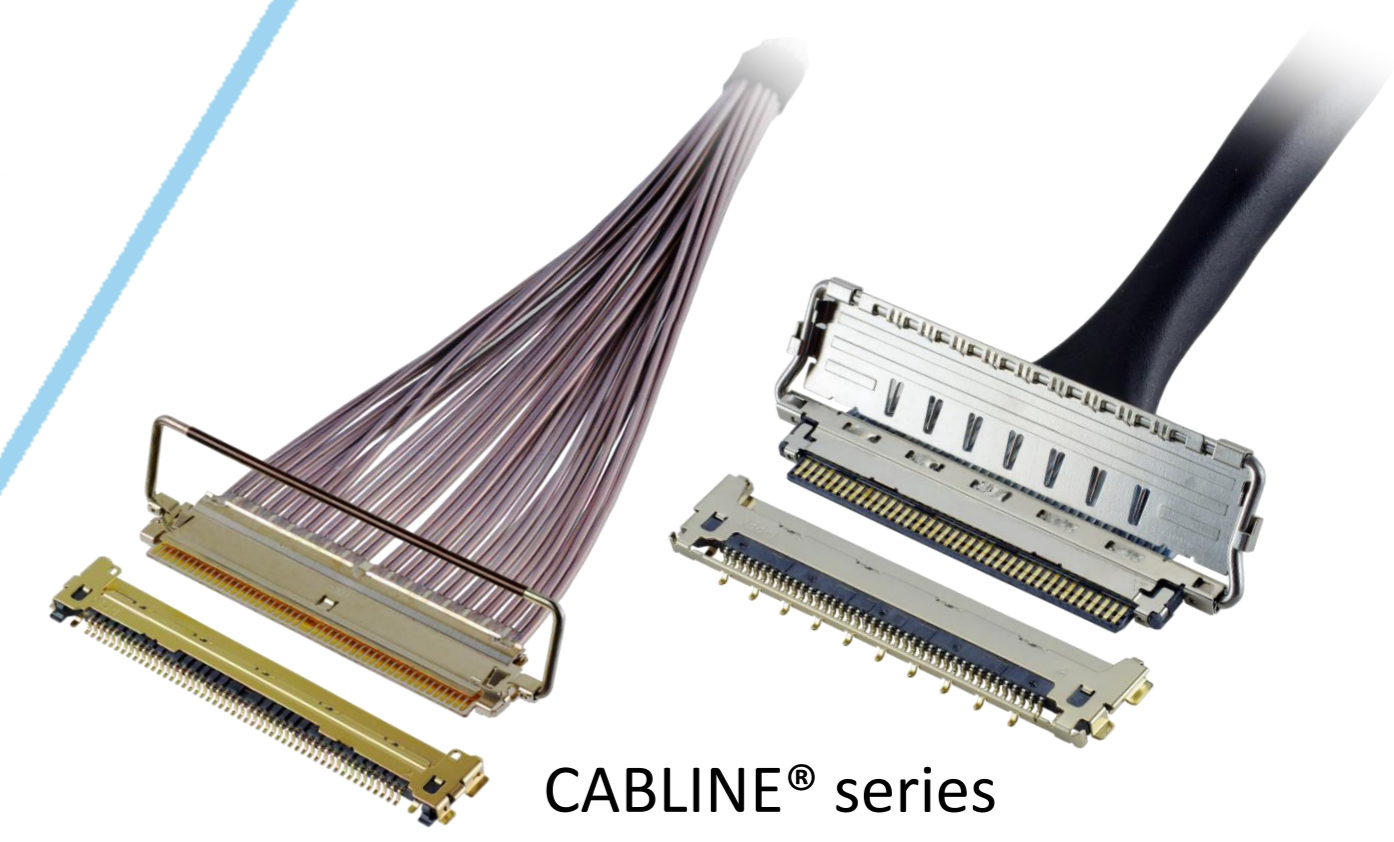
# Custom Connectors Available

 RF Connector

MHF® series



 CABLINE® series  
Micro-coaxial/Twinax/  
Discrete Wire Connector



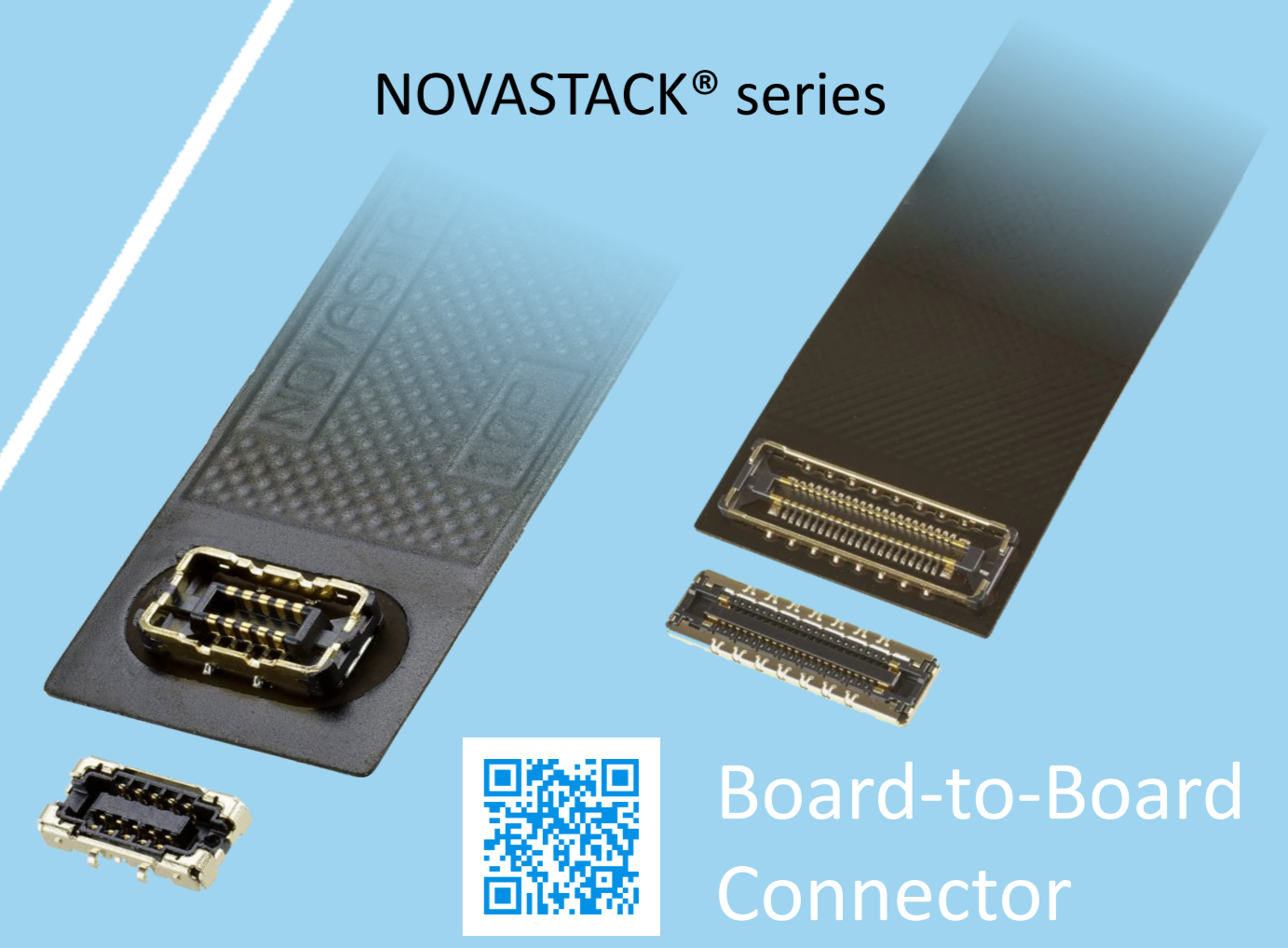
 Optical Module

LIGHTPASS® series



NOVASTACK® series

 Board-to-Board Connector



 Power Connector/  
Terminal

AP series

ISH® series



MINIFLEX® series

EVAFLEX® series

 FPC FFC Connector

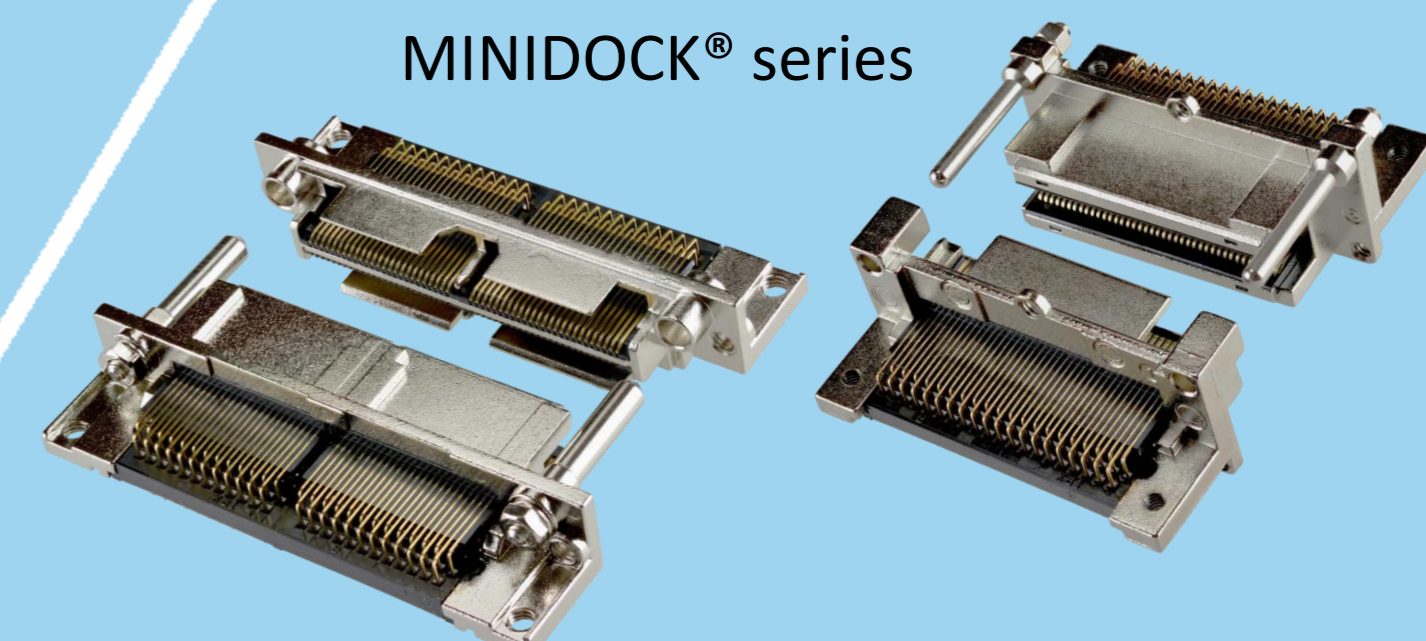


Inquiry



MINIDOCK® series

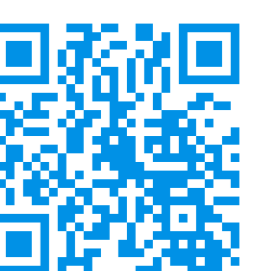
 I/O Connector



I-PEX, MHF, CABLINE, LIGHTPASS, NOVASTACK, ISH, IARPB, MINIFLEX, EVAFLEX, MINIDOCKS and ZenShield are registered trademarks of I-PEX Inc. Please note that the contents in the catalog might be changed without prior notification. I-PEX Inc. assumes no responsibility for any inaccuracies or obligation to update information on these documents. Please be sure to read and understand the latest "Precautions for Use" and "Instruction Manual" before you use our products. We shall not be responsible for any defects, damages or troubles in case you use our products without following the precautions for use. Please feel free to contact our sales representatives when you use our products for any applications that require very high reliability and safety, or that relate to human life (ex. nuclear power control, aerospace, transportation, medical equipment, safety equipment etc.).

Contact your sales representative or more detailed information.

[www.i-pex.com](http://www.i-pex.com)



# I-PEX

© I-PEX Inc. 2024  
All rights reserved