

# DW-5

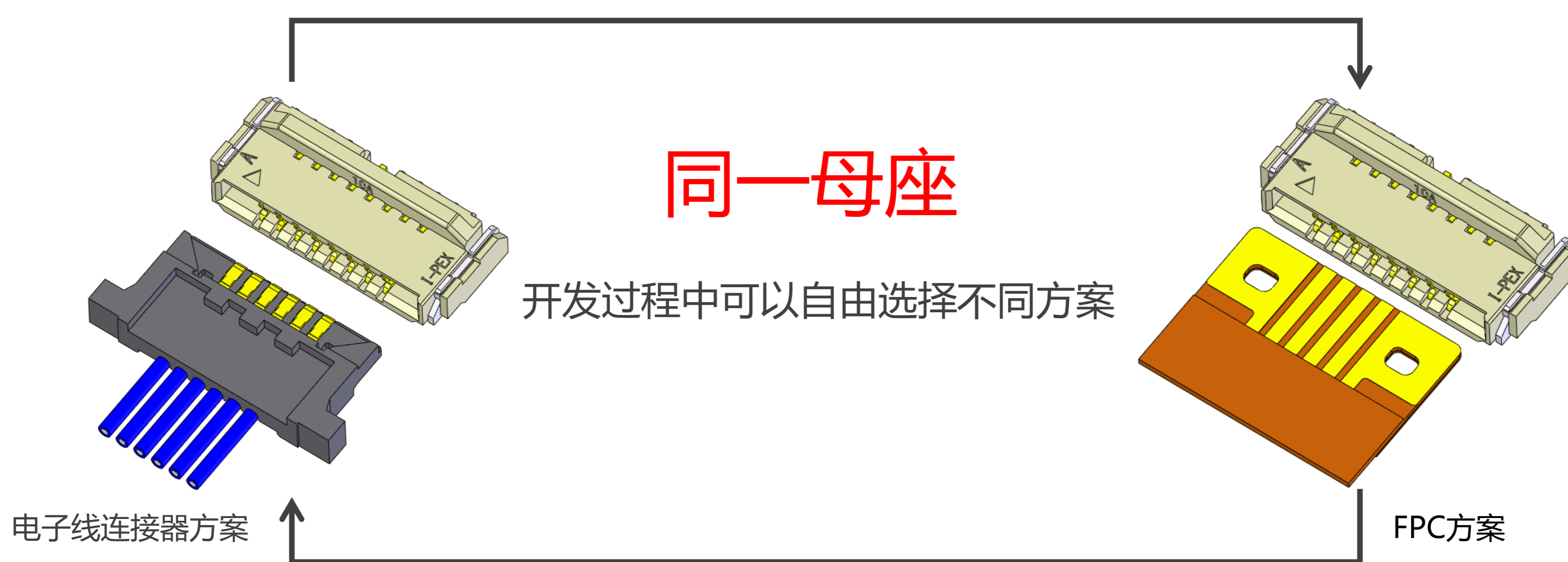
电子线和FPC混用连接器，高度=1.0 mm，0.5 mm 间距，水平插拔，后锁式

|                    |           | Plug   | Receptacle                     | Applicable FPC/FFC:    |                |
|--------------------|-----------|--|--------------------------------|------------------------|----------------|
| Board Pitch (mm)   |           | 0.5  |                                | FPC/FFC Contact Pitch  | 0.5            |
| Wiping Length (mm) |           | 1  |                                | FPC/FFC Contact Point  | Top and Bottom |
| Size (mm)          | Height    | 1.0 +/- 0.1  |                                | FPC/FFC Thickness (mm) | 0.2 +/- 0.03   |
|                    | Width     | Formula: $3.8+(0.5*\text{?}p)$   | Formula: $3.7+(0.5*\text{?}p)$ |                        |                |
|                    | Depth     | Open: Mating FPC : 3.0 Mating PLUG CABLE : 4.9<br>Close: Mating FPC : 3.5 Mating PLUG CABLE : 5.39 |                                |                        |                |
| Pin counts         | Range     | 6-20 (even)  |                                |                        |                |
|                    | Available | 6, 8, 10   |                                |                        |                |

\*如您需要了解未列出或不在范围内的Pin数，请咨询我们。

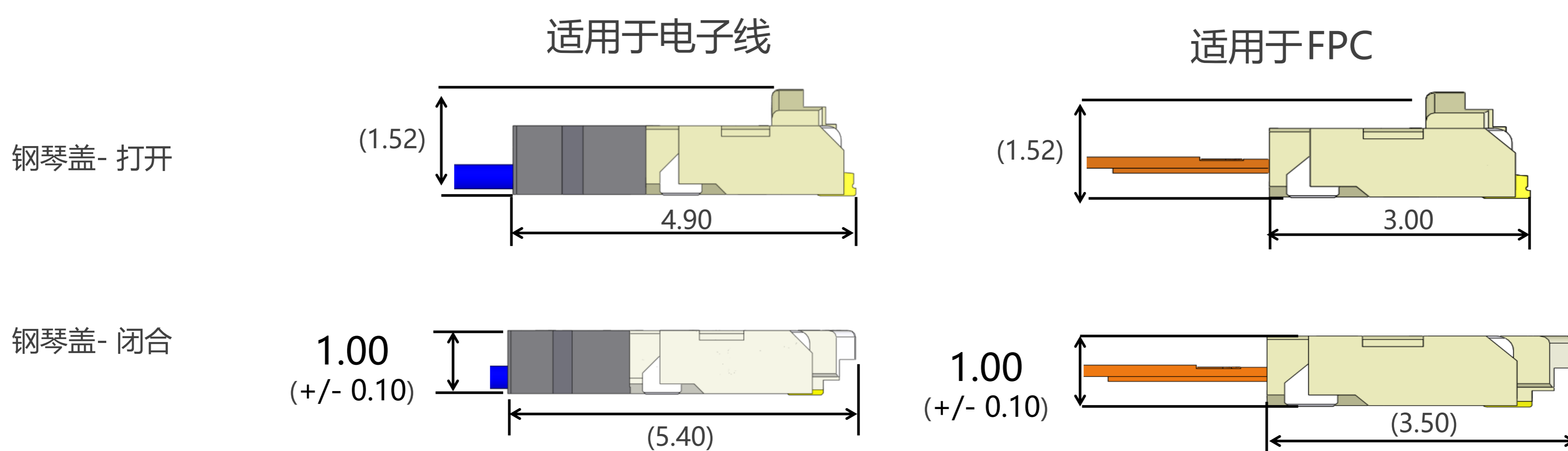


## 同时支持电子线和FPC

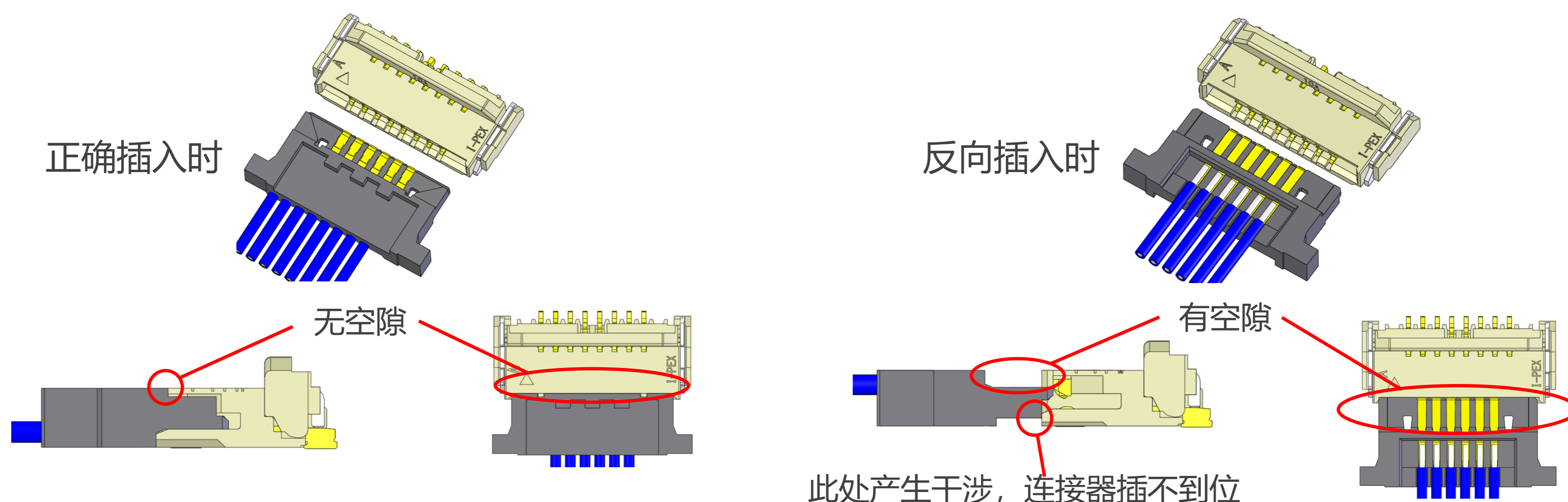


## 超低高度1.0 mm

业内超小，超低高度：1.0 mm 6Pin 尺寸



## 具有防止反插结构，可以减少作业失误



# Component Parts Details

## Plug for Cable Assembly

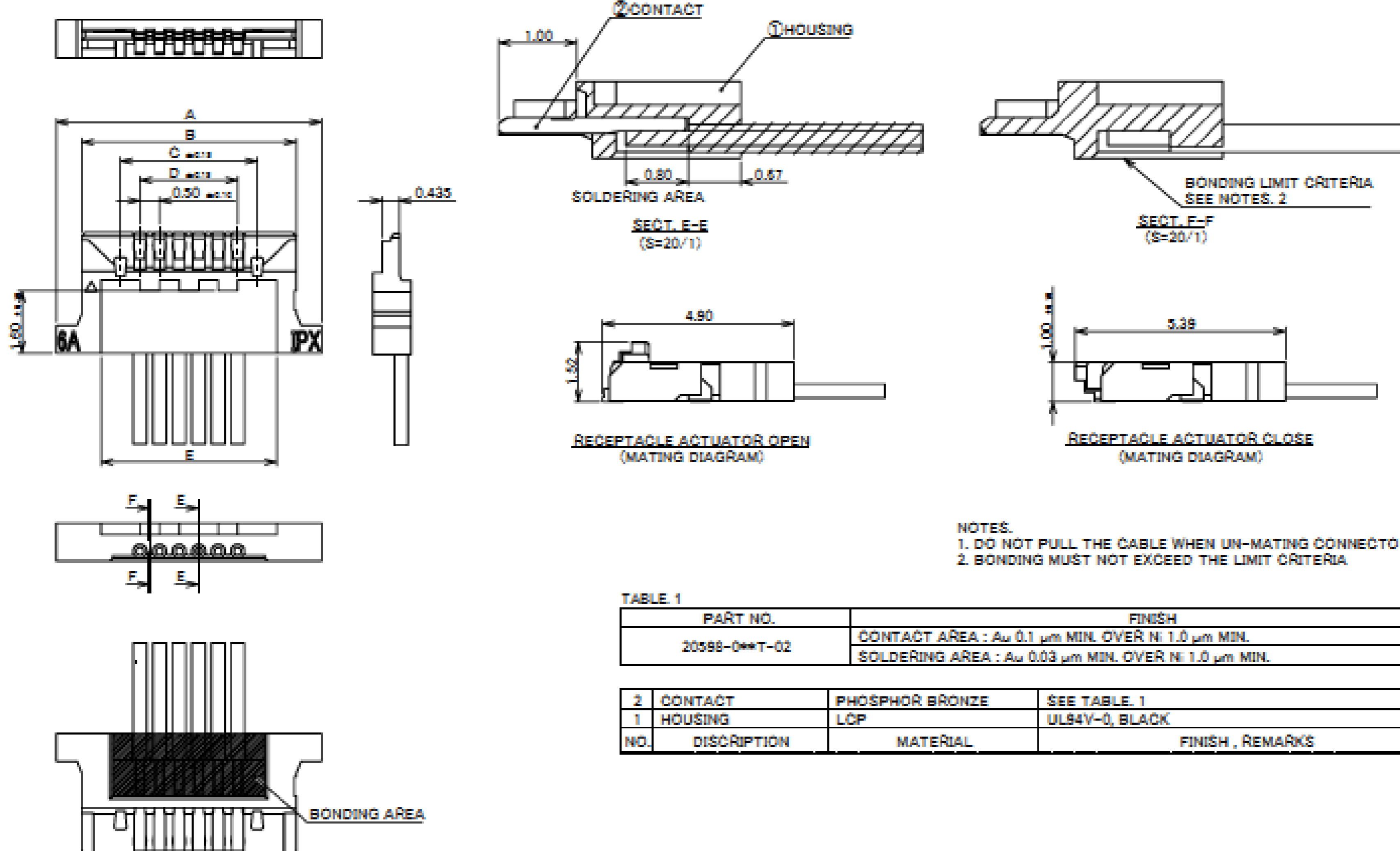
Recommended P/N 20598-0\*\*T-02



CAUTION VISIT OUR WEBSITE FOR LATEST VERSIONS OF INSTRUCTION MANUAL NO. HIM-14010 TO HANDLE THE PRODUCT PROPERLY AND SAFELY.

| PART No.       | POS. | A     | B     | C     | D    | E     |
|----------------|------|-------|-------|-------|------|-------|
| 20598-006T-02  | 6    | 6.80  | 5.50  | 3.50  | 2.50 | 4.50  |
| 20598-008T-02  | 8    | 7.80  | 6.50  | 4.50  | 3.50 | 5.50  |
| 20598-010T-02  | 10   | 8.80  | 7.50  | 5.50  | 4.50 | 6.50  |
| ◆20598-020T-02 | 20   | 13.80 | 12.50 | 10.50 | 8.50 | 11.50 |

◆ MARK MEANS NOT AVAILABLE



NOTES:  
1. DO NOT PULL THE CABLE WHEN UN-MATING CONNECTORS  
2. BONDING MUST NOT EXCEED THE LIMIT CRITERIA

| PART NO.      | FINISH   |  |
|---------------|--|--|
| 20598-0**T-02 | CONTACT AREA : Au 0.1 μm MIN. OVER Ni 1.0 μm MIN.    |  |
|               | SOLDERING AREA : Au 0.03 μm MIN. OVER Ni 1.0 μm MIN. |  |

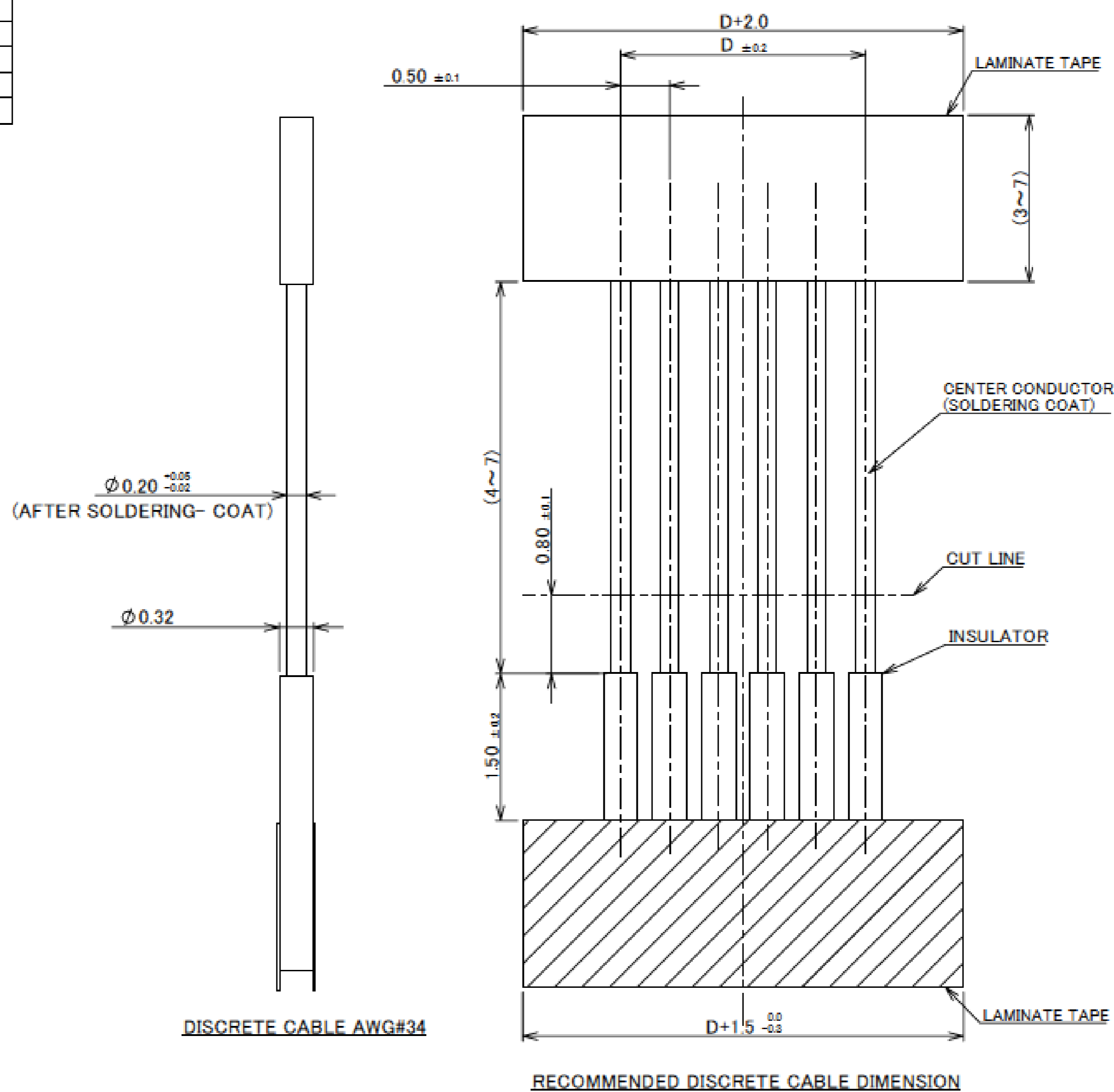
| NO. | DESCRIPTION | MATERIAL        | FINISH, REMARKS |
|-----|-------------|-----------------|-----------------|
| 2   | CONTACT     | PHOSPHOR BRONZE | SEE TABLE 1     |
| 1   | HOUSING     | LCP             | UL94V-0, BLACK  |



# Plug for Cable Assembly

| PART No.       | POS. | D    |
|----------------|------|------|
| 20598-006T-02  | 6    | 2.50 |
| 20598-008T-02  | 8    | 3.50 |
| 20598-010T-02  | 10   | 4.50 |
| ◆20598-020T-02 | 20   | 9.50 |

◆ MARK MEANS NOT AVAILABLE



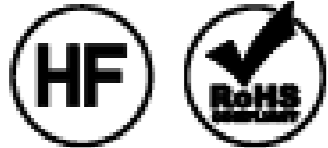
Rev.3

| ITEMS  | SPECIFICATION  |
|--|--|
| APPLICABLE CABLE                                 | DISCRETE : AWG#34  |
| RATING VOLTAGE                                   | 50V AC (PER A CONTACT)   |
| RATING AMPERAGE                                  | 0.7A DC [AWG#34] (PER A CONTACT)   |
| OPERATING TEMPERATURE                            | 233 ~ 358K (-40°C ~ 85°C)  |
| OPERATING HUMIDITY                               | 80% MAX (NON-CONDENSING)   |
| CONTACT RESISTANCE                               | INITIAL : 40mohm MAX. / AFTER TEST : <math>\surd</math>20mohm MAX.                               |
| INSULATION RESISTANCE                            | INITIAL : 1000Mohm MIN. / AFTER TEST : 500Mohm MIN.  |
| DIELECTRIC WITHSTANDING VOLTAGE                  | AC200V 1min  |
| DURABILITY                                       | 20TH CYCLES  |
| ACTUATOR LOCKING FORCE (INITIAL / 20TH CYCLES)   | INITIAL / 20TH CYCLES : 0.6N (61gf) $\times$ (n + 2) MAX.  |
| ACTUATOR UNLOCKING FORCE (INITIAL / 20TH CYCLES) | INITIAL / 20TH CYCLES : 0.05N (5gf) $\times$ (n + 2) MIN.  |
| PLUG RETENTION FORCE (INITIAL / AFTER TEST)      | INITIAL : 0.15N (15gf) $\times$ n + 2.0N MIN. / AFTER TEST : 0.15N (15gf) $\times$ n + 1.0N MIN. |
| PRODUCT SPECIFICATION                            | PRS-1880   |
| TEST REPORT                                      | TR-13103   |
| PACKING STANDARD                                 | PST-14006  |
| INSTRUCTION MANUAL                               | HIM-14010  |
| ASSEMBLY MANUAL                                  | ASM-12002  |

※ "n" IS THE NUMBER OF PIN

# Receptacle for Cable Assembly

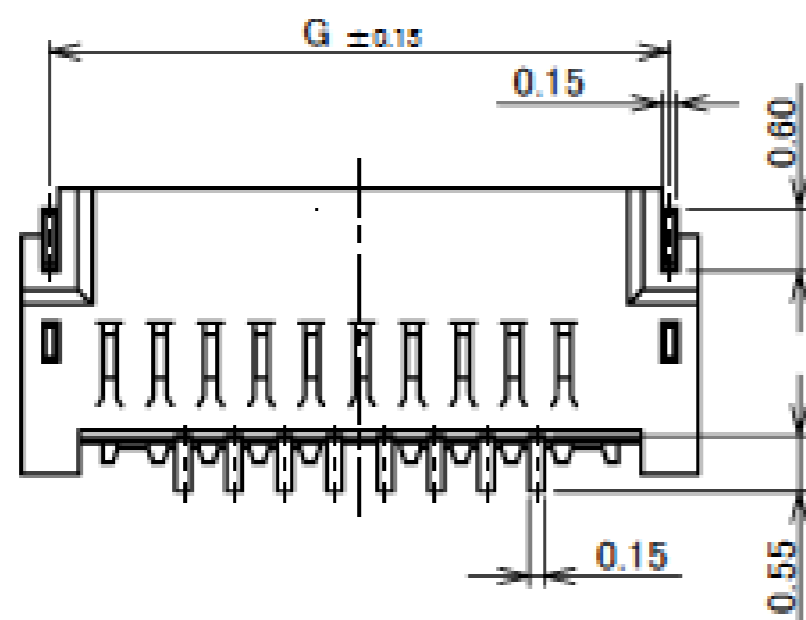
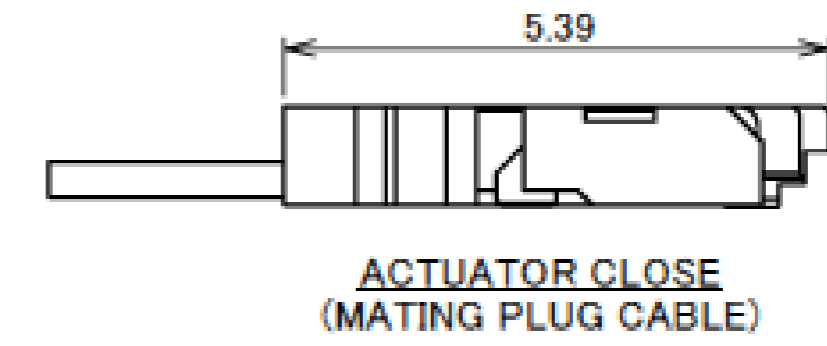
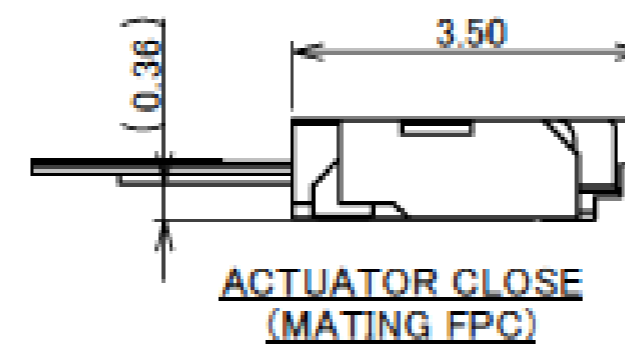
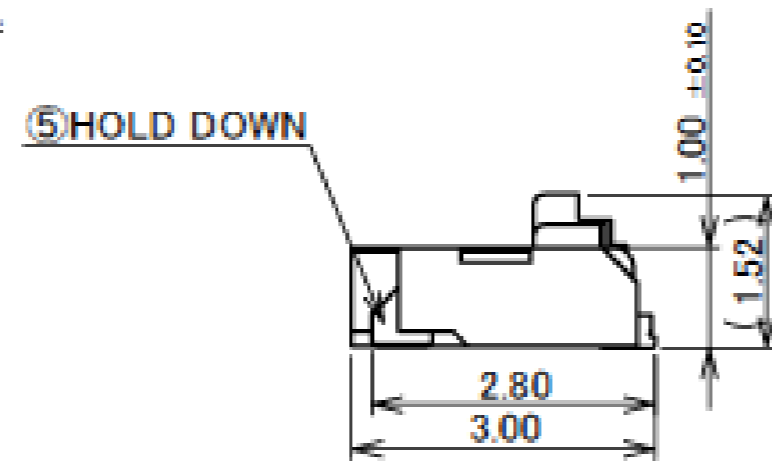
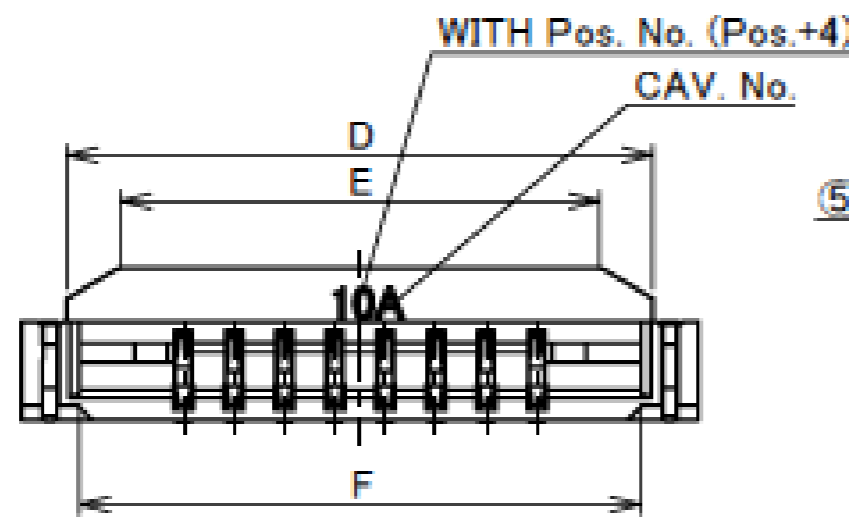
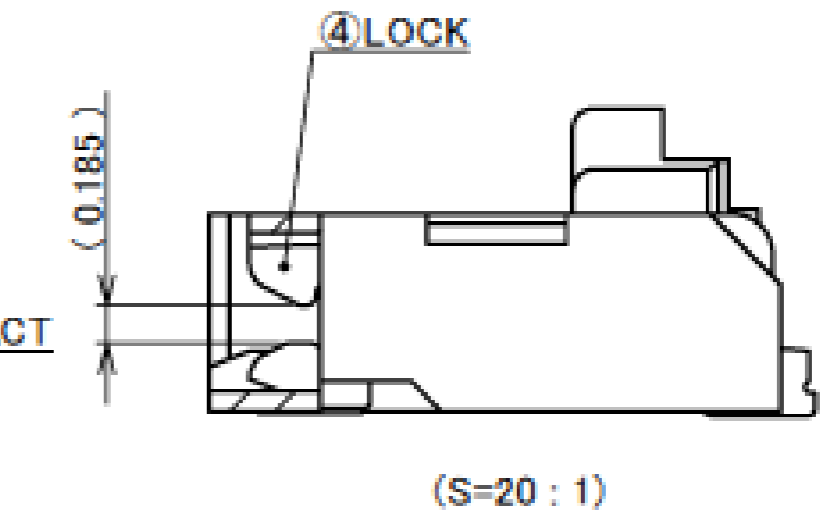
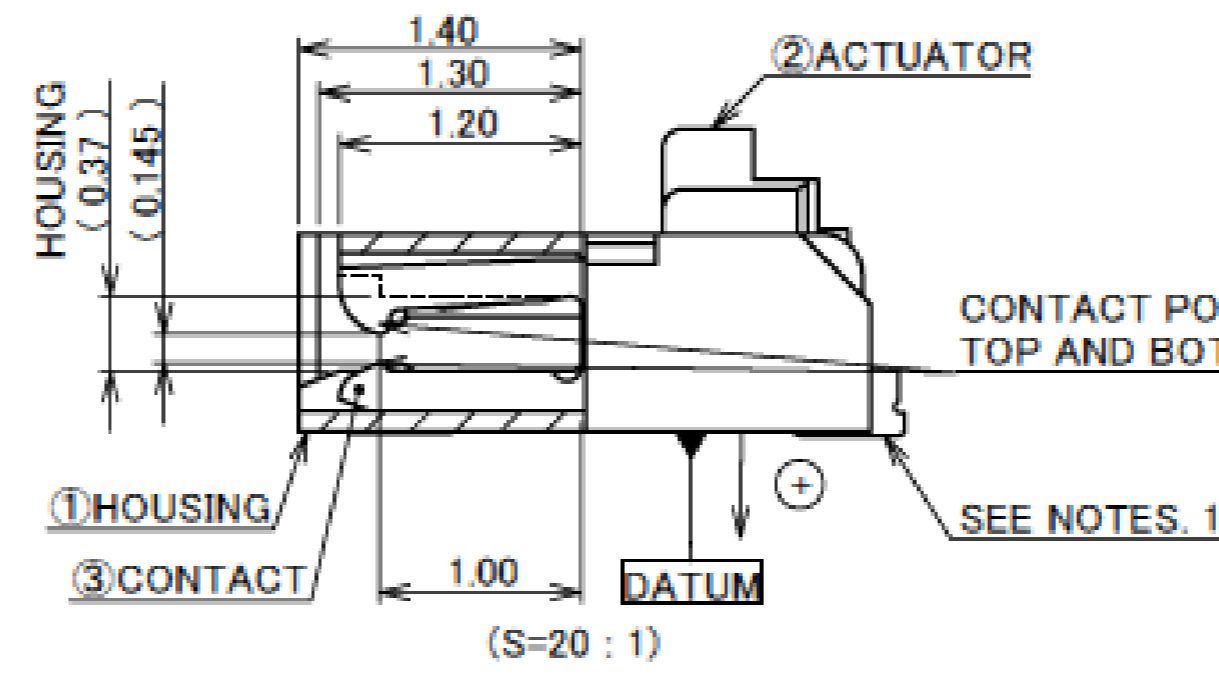
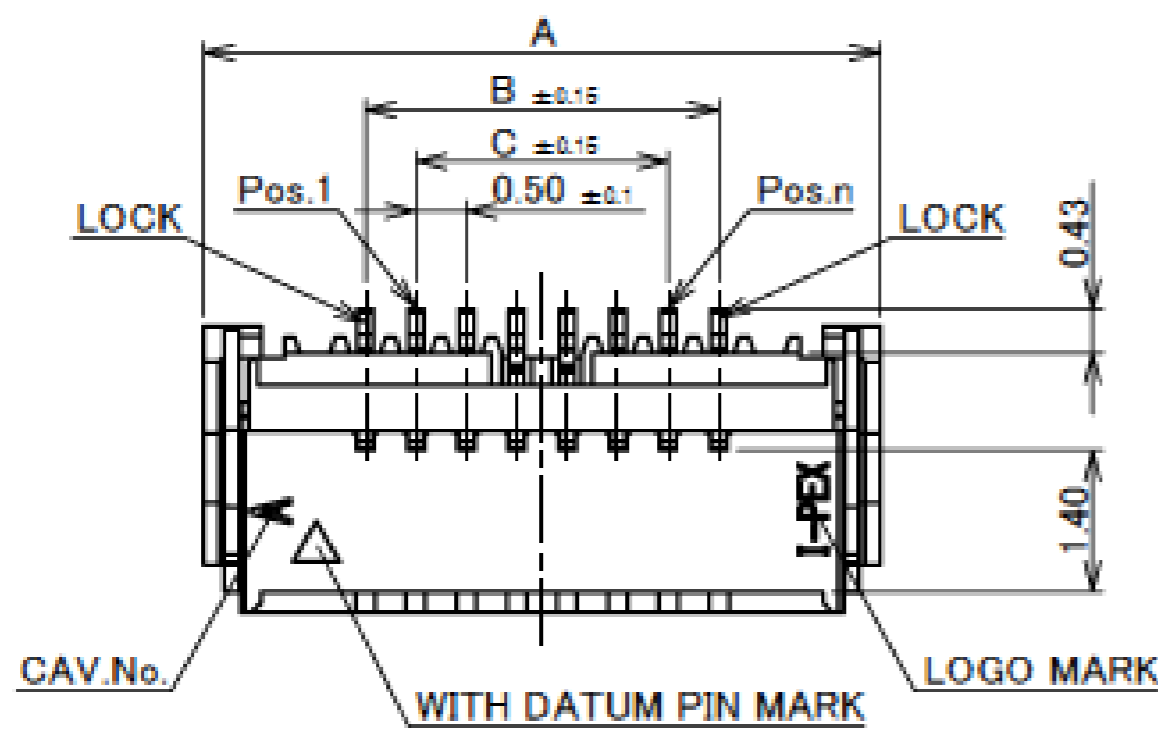
Recommended P/N 20597-0\*\*E-02



CAUTION VISIT OUR WEBSITE FOR LATEST VERSIONS OF INSTRUCTION MANUAL NO. HIM-14010 AND HIM-12019 TO HANDLE THE PRODUCT PROPERLY AND SAFELY.

| PART No.       | POS. | A     | B     | C    | D     | E    | F     | G     |
|----------------|------|-------|-------|------|-------|------|-------|-------|
| 20597-006E-02  | 6    | 6.70  | 3.50  | 2.50 | 5.80  | 4.80 | 5.56  | 6.15  |
| 20597-008E-02  | 8    | 7.70  | 4.50  | 3.50 | 6.80  | 5.80 | 6.56  | 7.15  |
| 20597-010E-02  | 10   | 8.70  | 5.50  | 4.50 | 7.80  | 6.80 | 7.56  | 8.15  |
| ◆20597-020E-02 | 20   | 13.70 | 10.50 | 9.50 | 12.80 | 6.80 | 12.56 | 13.15 |

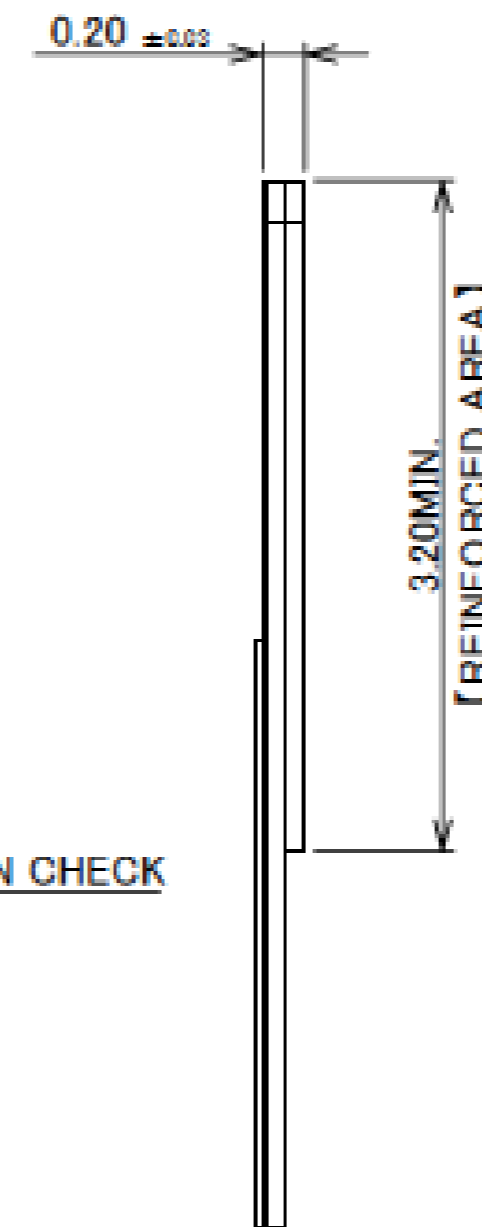
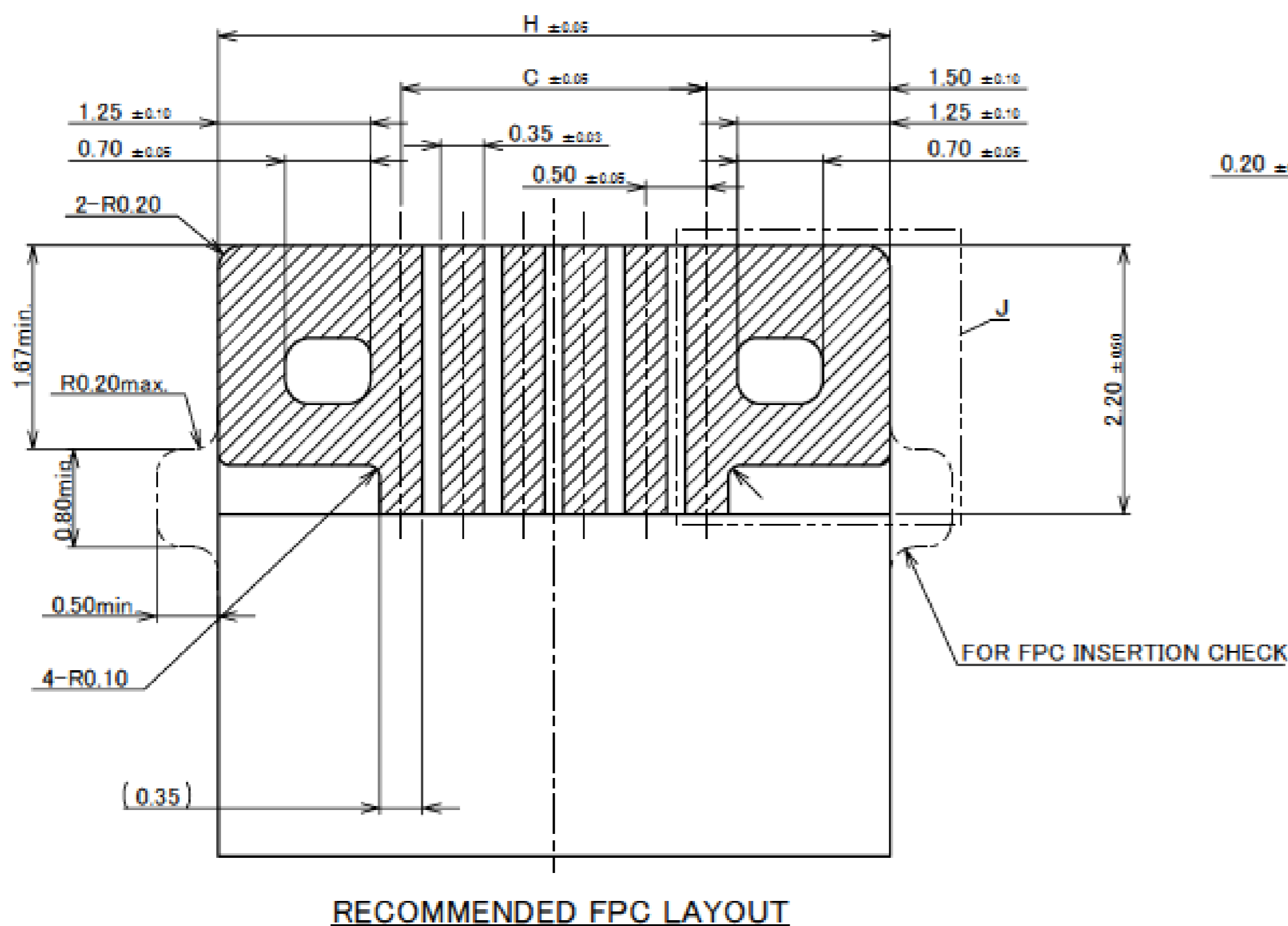
◆ MARK MEANS NOT AVAILABLE



|   |           |                 |   |
|---|-----------|-----------------|---|
| 5 | HOLD DOWN | PHOSPHOR BRONZE | Sn 2~6 μm MIN.OVER Ni 1.0 μm MIN.   |
| 4 | LOCK      | PHOSPHOR BRONZE | Au 0.03 μm MIN. OVER Ni 1.0 μm MIN.   |
| 3 | CONTACT   | PHOSPHOR BRONZE | CONTACT AREA : Au 0.1 μm MIN. OVER Ni 1.0 μm MIN.<br>SOLDERING AREA : Au 0.03 μm MIN. OVER Ni 1.0 μm MIN. |
| 2 | ACTUATOR  | LCP             | UL94V-0, BEIGE  |
| 1 | HOUSING   | LCP             | UL94V-0, BEIGE  |

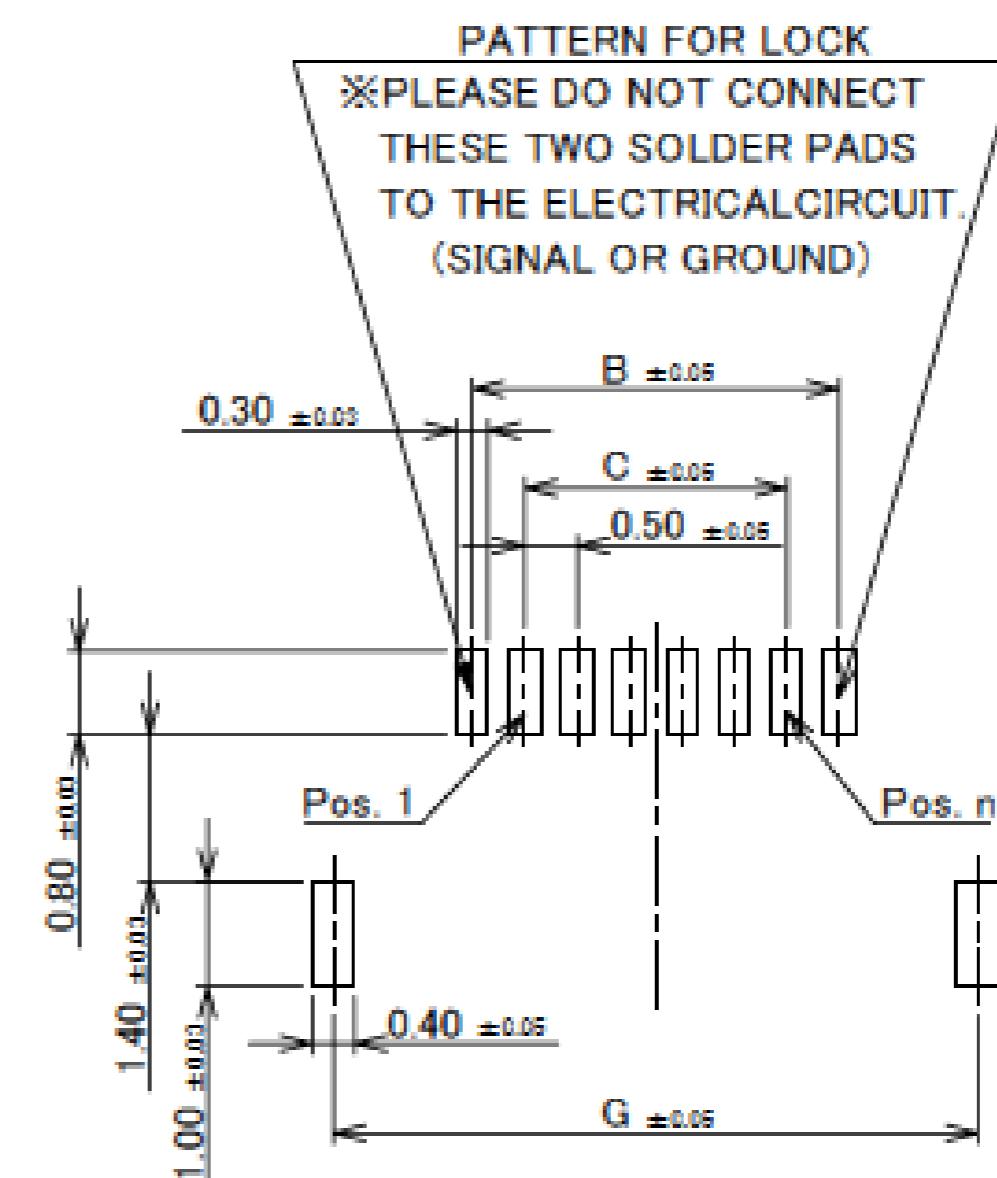
NOTES  
1. CONTACT TAIL IS PROJECTION FROM HOUSING IN THE + DIRECTION. (0~0.06)

Rev.7

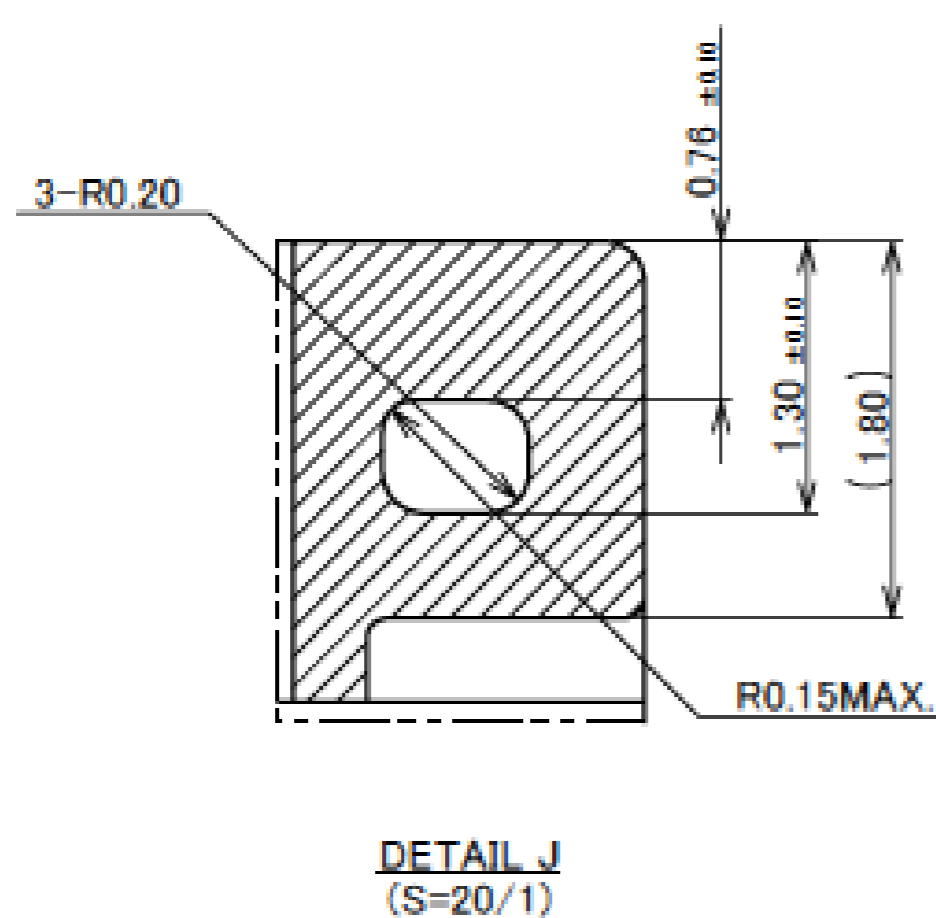


| PART No.       | POS. | B     | C    | G     | H     |
|----------------|------|-------|------|-------|-------|
| 20597-006E-02  | 6    | 3.50  | 2.50 | 6.15  | 5.50  |
| 20597-008E-02  | 8    | 4.50  | 3.50 | 7.15  | 6.50  |
| 20597-010E-02  | 10   | 5.50  | 4.50 | 8.15  | 7.50  |
| ◆20597-020E-02 | 20   | 10.50 | 9.50 | 13.15 | 12.50 |

◆ MARK MEANS NOT AVAILABLE



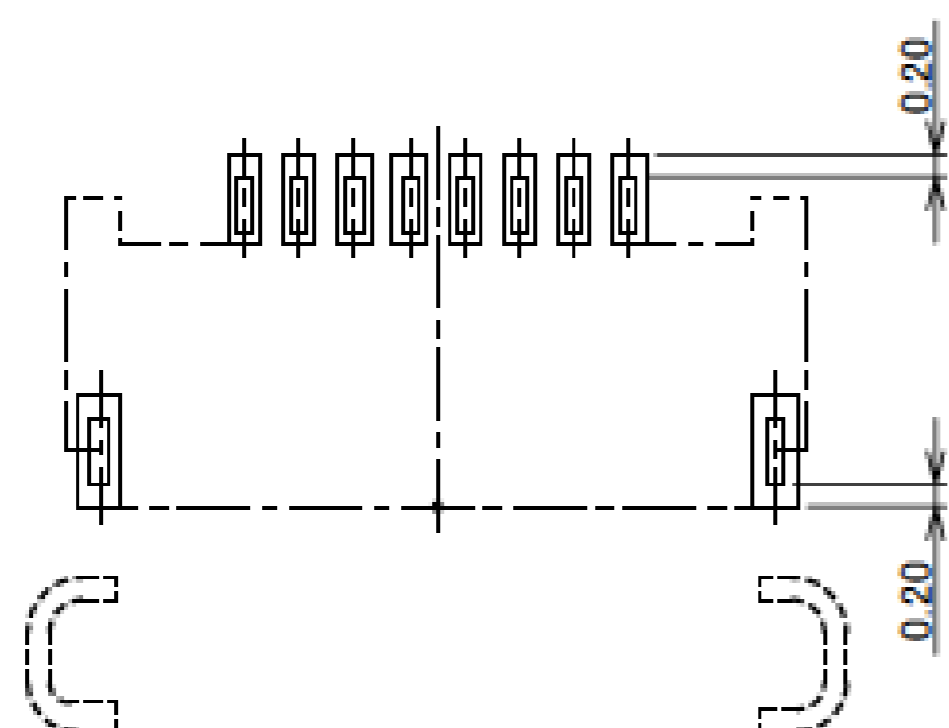
RECOMMENDED PCB LAYOUT & METAL MASK LAYOUT  
METAL MASK THICKNESS : t=0.12mm



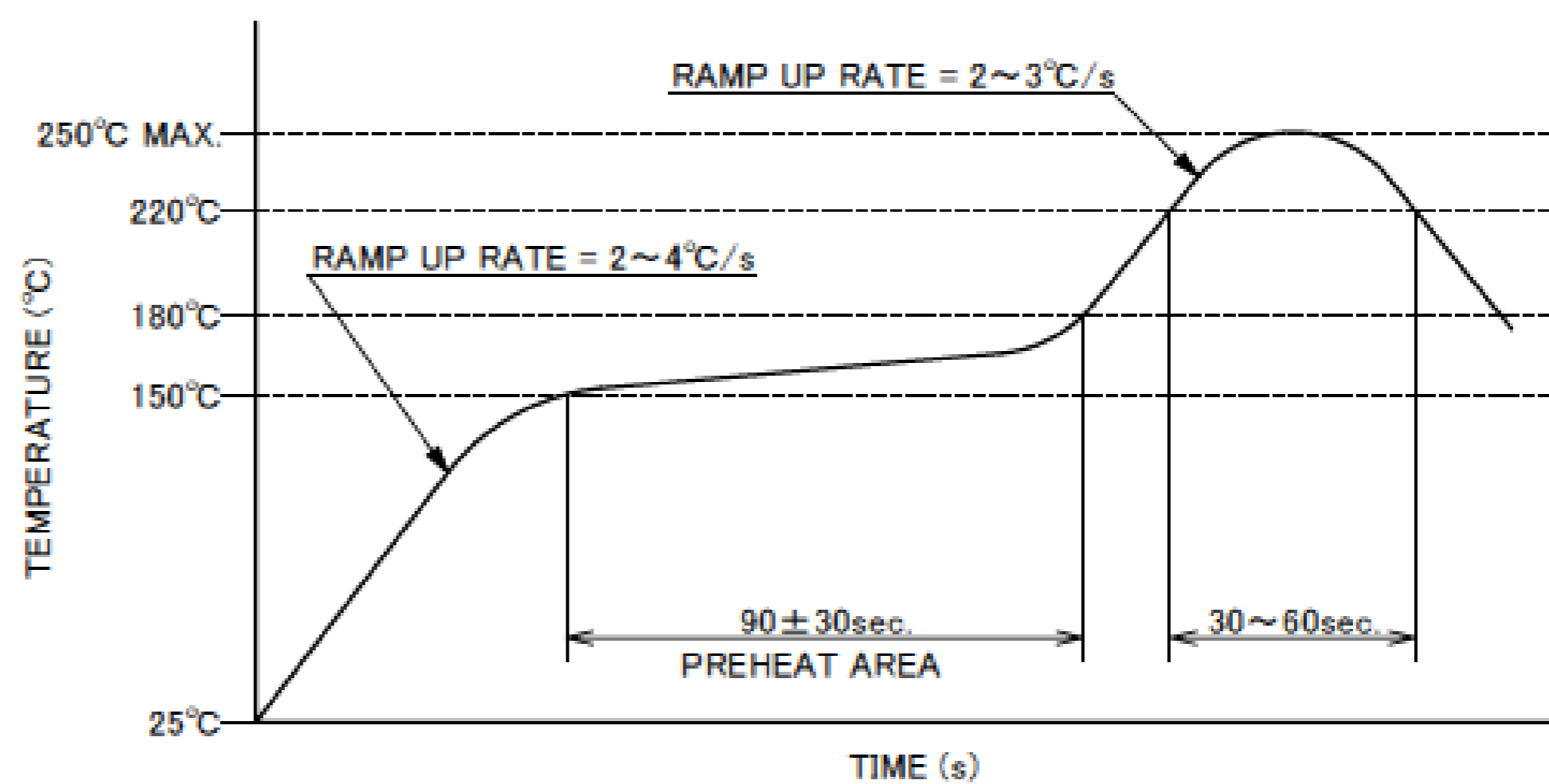
NOTES  
2.MATERIAL  
COVER FILM : PI  
CONDUCTOR : COPPER(RARE)  
BASE FILM : PI  
STIFFENER : PI  
ADHESIVE : THERMOSETTING ADHESIVE  
3.FINISH  
Au OVER Ni PLATING.

Rev.7

# Receptacle for Cable Assembly



CONNECTOR ON RECOMMENDED FOOTPRINT PATTERN



REFLOW TEMPERATURE PROFILE  
SENJU METAL INDUSTRY CO., LTD. : M705-SHF(Sn96.5 Ag3.0 Cu0.5)

Rev.7

| ITEMS   | SPECIFICATION  |
|---|--|
| RATING VOLTAGE                                      | 50V AC (PER CONTACT)   |
| RATING AMPERAGE                                     | 0.5A DC [FPC] (PER CONTACT)<br>0.7A DC [AWG#34] (PER CONTACT)                                  |
| OPERATING TEMPERATURE                               | 233~358K(-40°C~85°C)   |
| OPERATING HUMIDITY                                  | 80% MAX.(NON-CONDENSING)   |
| CONTACT RESISTANCE                                  | INITIAL : 40mohm MAX. / AFTER TEST : $\triangleleft$ 20mohm MAX.                               |
| INSULATION RESISTANCE                               | INITIAL : 1000Mohm MIN. / AFTER TEST : 500Mohm MAX. (PLUG CABLE)<br>100Mohm MIN. (FPC)         |
| DIELECTRIC WITHSTANDING VOLTAGE                     | AC200V 1min  |
| DURABILITY  | 20TH CYCLES  |
| ACTUATOR LOCKING FORCE (INITIAL / 20TH CYCLES)      | INITIAL/ 20TH CYCLES : $0.6N(61gf) \times (n + 2)$ MAX.  |
| ACTUATOR UNLOCKING FORCE (INITIAL / 20TH CYCLES)    | INITIAL/ 20TH CYCLES : $0.05N(5gf) \times (n + 2)$ MIN.  |
| PLUG AND FPC RETENTION FORCE (INITIAL / AFTER TEST) | INITIAL : $0.15N(15gf) \times n + 2.0N$ MIN. / AFTER TEST : $0.15N(15gf) \times n + 1.0N$ MIN. |
| COPLANARITY   | 0.08 MAX.  |
| PRODUCT SPECIFICATION                               | PRS-1880   |
| TEST REPORT   | TR-13103   |
| PACKING STANDARD                                    | PST-13047  |
| INSTRUCTION MANUAL                                  | HIM-14010 (FOR MATING PLUG CABLE)<br>HIM-12019 (FOR MATING FPC)                                |
| APPEARANCE CRITERIA No.                             | QLS-A***   |

※ "n" IS THE NUMBER OF PIN



# Custom Connectors Available

 RF Connector

MHF® series



 CABLINE® series  
Micro-coaxial/Twinax/  
Discrete Wire Connector



 Optical Module

LIGHTPASS® series



NOVASTACK® series

 Board-to-Board Connector



 Power Connector/  
Terminal

AP series

ISH® series



MINIFLEX® series

EVAFLEX® series

 FPC FFC  
Connector

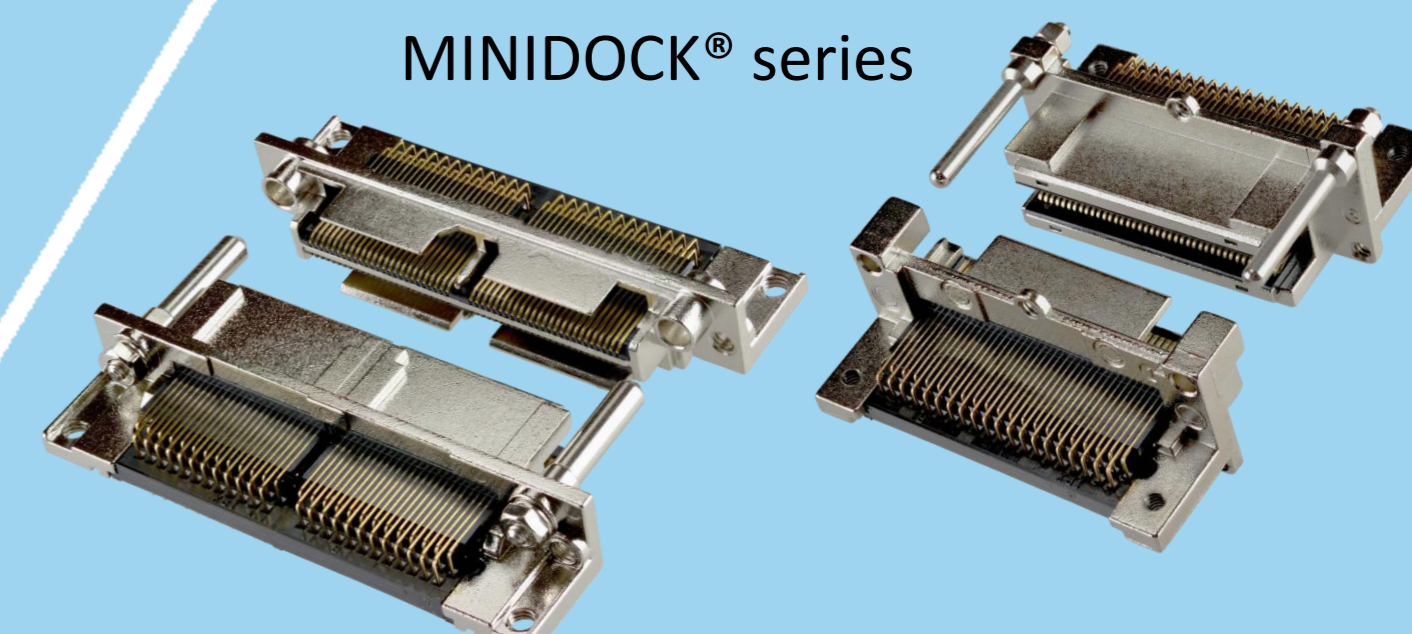


Inquiry



MINIDOCK® series

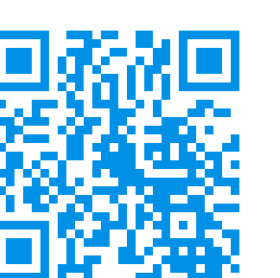
 I/O  
Connector



I-PEX, MHF, CABLINE, LIGHTPASS, NOVASTACK, ISH, IARPB, MINIFLEX, EVAFLEX, MINIDOCKS and ZenShield are registered trademarks of I-PEX Inc. Please note that the contents in the catalog might be changed without prior notification. I-PEX Inc. assumes no responsibility for any inaccuracies or obligation to update information on these documents. Please be sure to read and understand the latest "Precautions for Use" and "Instruction Manual" before you use our products. We shall not be responsible for any defects, damages or troubles in case you use our products without following the precautions for use. Please feel free to contact our sales representatives when you use our products for any applications that require very high reliability and safety, or that relate to human life (ex. nuclear power control, aerospace, transportation, medical equipment, safety equipment etc.).

Contact your sales representative  
or more detailed information.

[www.i-pex.com](http://www.i-pex.com)



# I-PEX

© I-PEX Inc. 2024  
All rights reserved