

DW-5

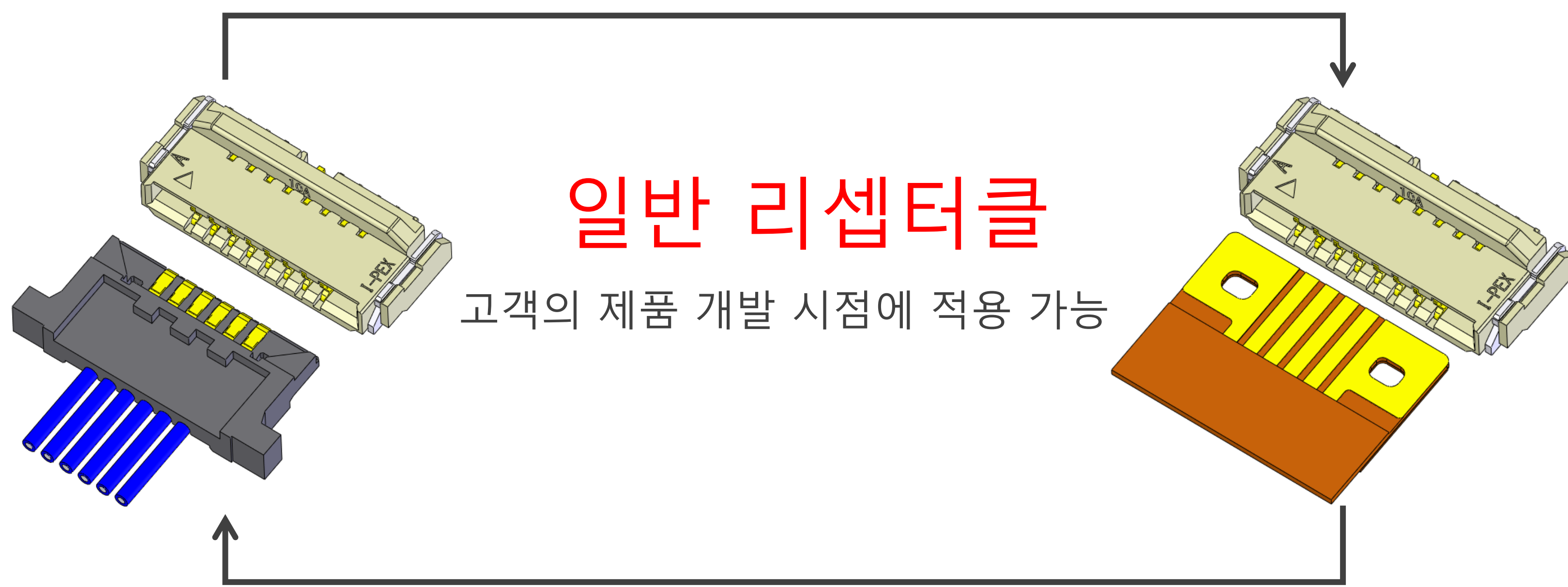
개별 전선이나 FPC로 옵션 사용이 가능한 하이브리드 커넥터, 높이 = 1.0 mm, 0.5 mm Pitch, 수평 결합, 백플립

		Plug	Receptacle	Applicable FPC/FFC:	
Board Pitch (mm)		0.5		FPC/FFC Contact Pitch	0.5
Wiping Length (mm)		1		FPC/FFC Contact Point	Top and Bottom
Size (mm)	Height	1.0 +/- 0.1		FPC/FFC Thickness (mm)	0.2 +/- 0.03
	Width	Formula: 3.8+(0.5*?p)	Formula: 3.7+(0.5*?p)		
	Depth	Open: Mating FPC : 3.0 Mating PLUG CABLE : 4.9 Close: Mating FPC : 3.5 Mating PLUG CABLE : 5.39			
Pin counts	Range	6-20 (even)			
	Available	6, 8, 10			

*기재가 되어있지 않은 핀 수의 대응 여부에 대해서는 문의해 부탁드립니다.

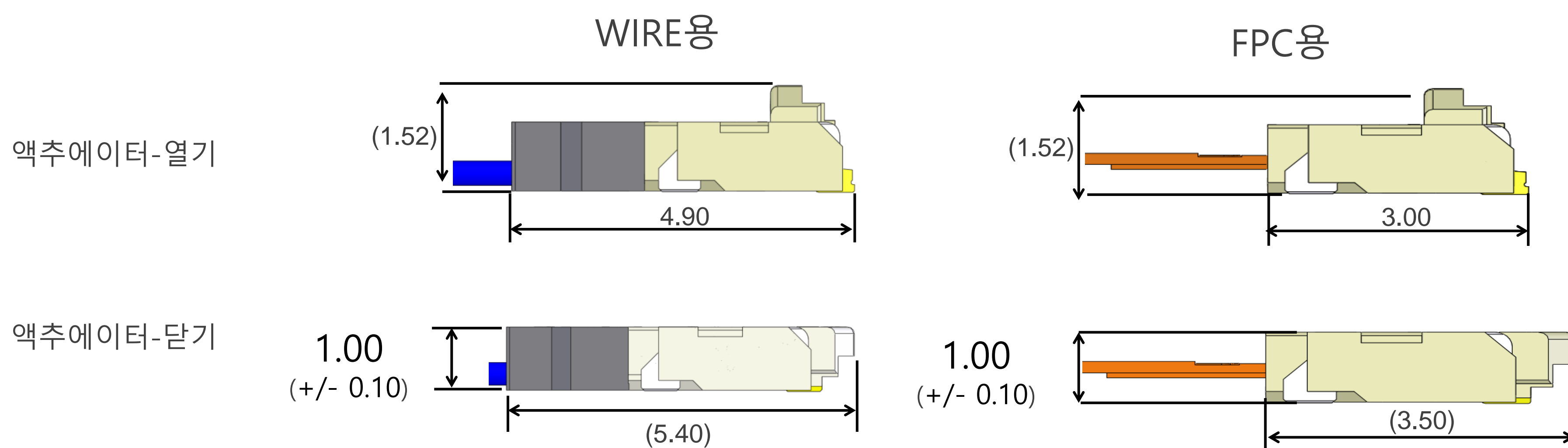


▶ FPC나 개별 전선으로 결합이 가능한 하이브리드 커넥터

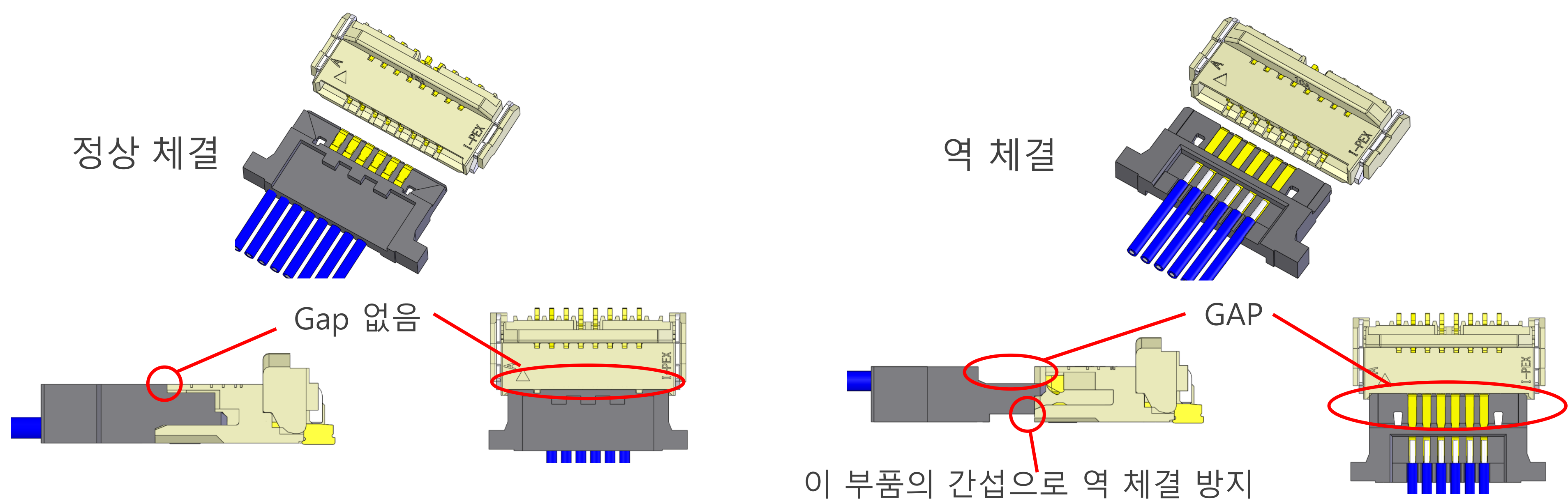


▶ 동급 최소인 1.0 mm 높이

1.0 mm 의 낮은 높이, 세계 최소 사이즈 구현(6 Pin)



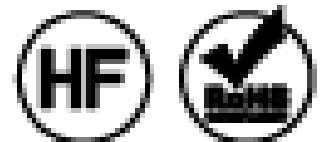
▶ 오삽입 방지 형상에 의한 작동 오류 감소



Component Parts Details

Plug for Cable Assembly

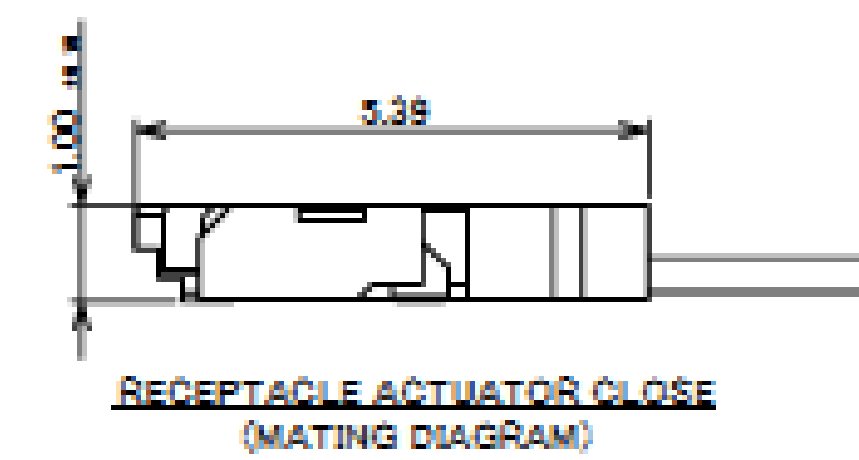
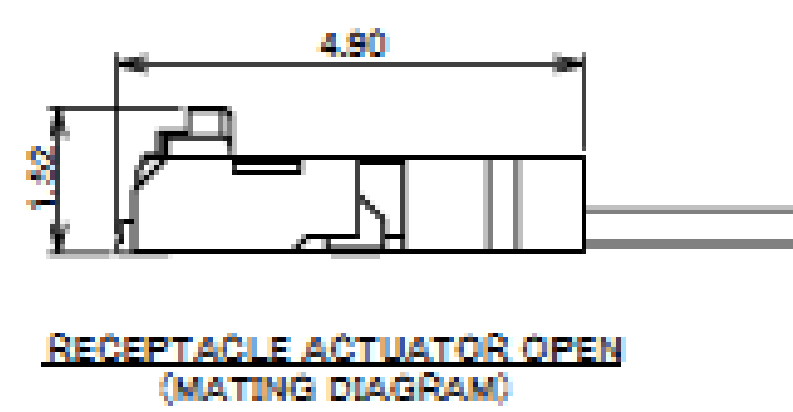
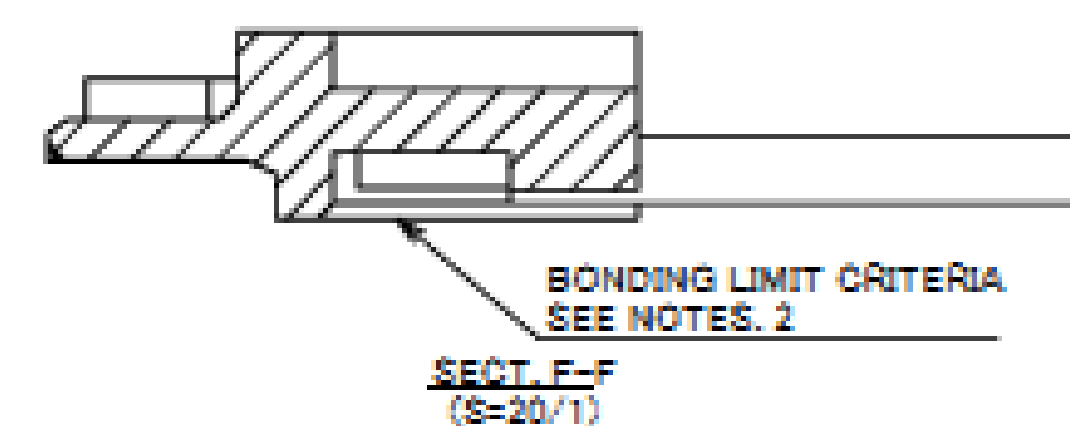
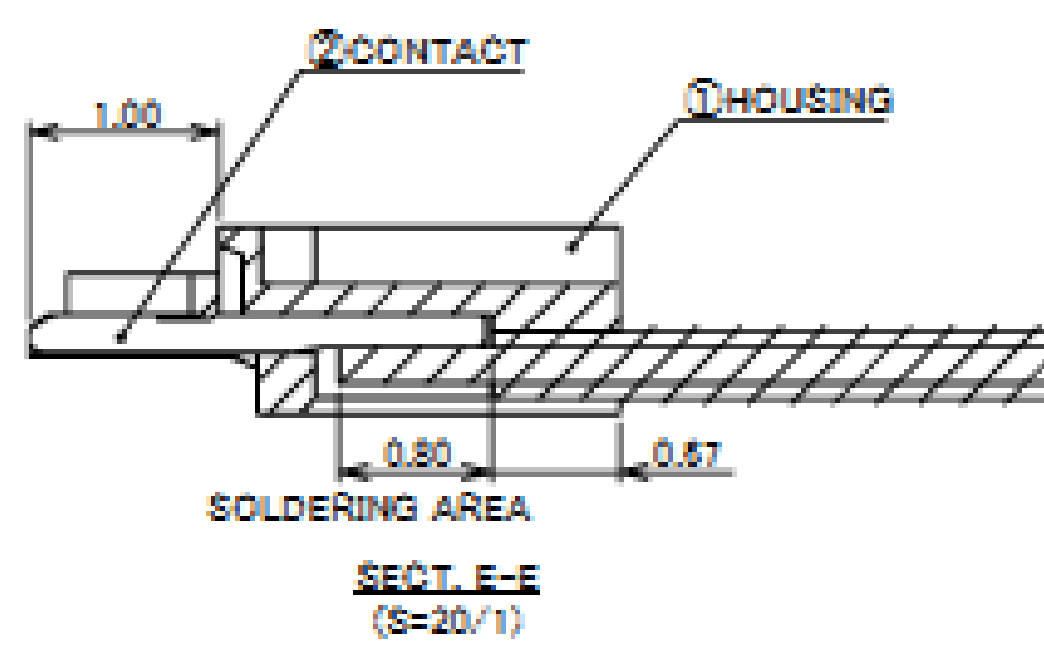
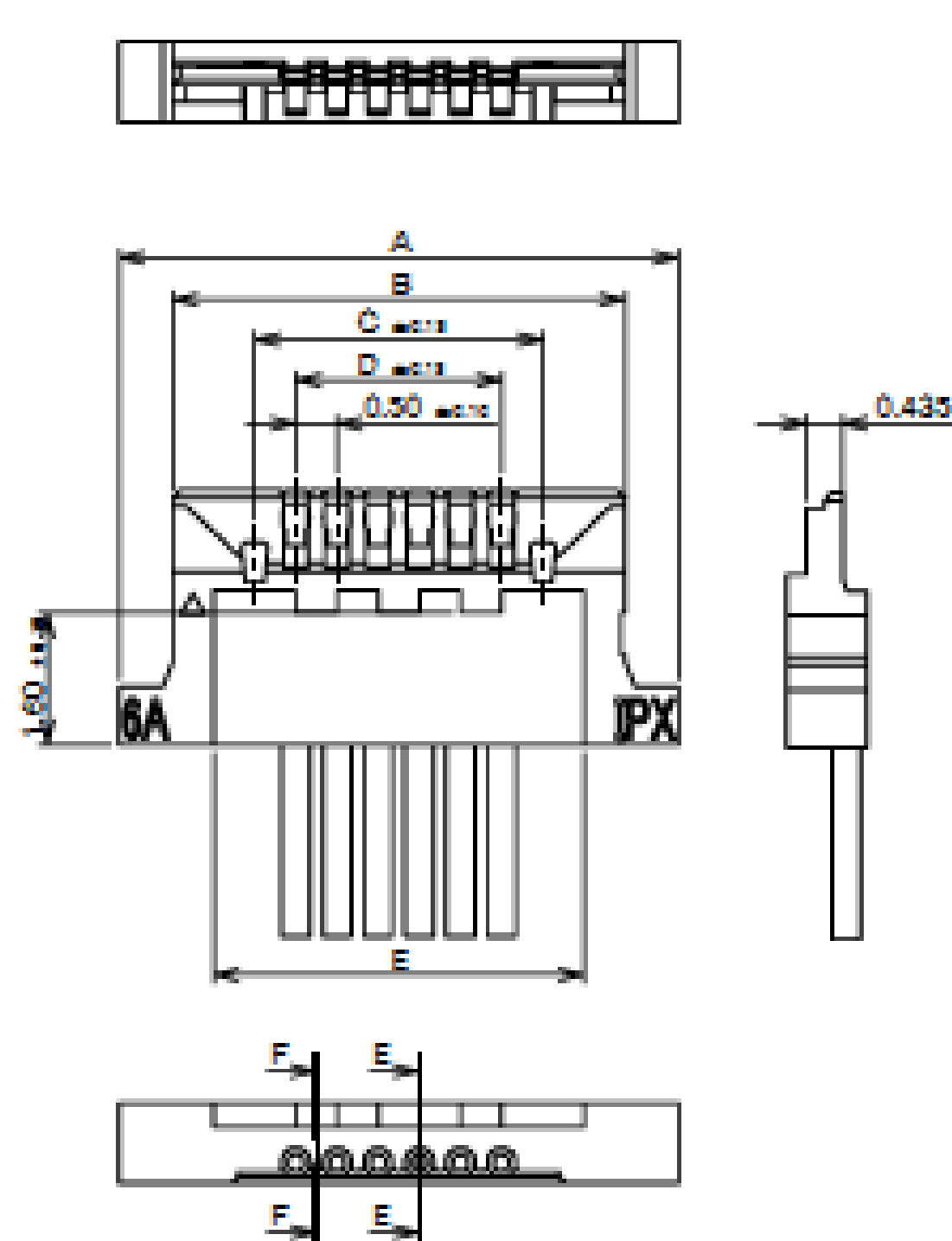
Recommended P/N 20598-0**T-02



CAUTION VISIT OUR WEBSITE FOR LATEST VERSIONS OF INSTRUCTION MANUAL NO. HIM-14010 TO HANDLE THE PRODUCT PROPERLY AND SAFELY.

PART No.	POS.	A	B	C	D	E
20598-006T-02	6	6.80	5.50	3.50	2.50	4.50
20598-008T-02	8	7.80	6.50	4.50	3.50	5.50
20598-010T-02	10	8.80	7.50	5.50	4.50	6.50
◆20598-020T-02	20	13.80	12.50	10.50	9.50	11.50

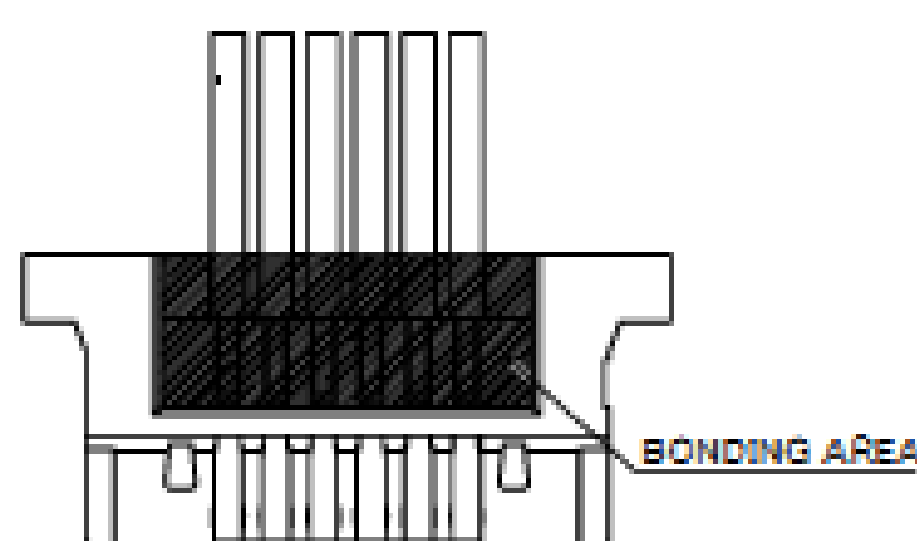
◆ MARK MEANS NOT AVAILABLE



NOTES:
1. DO NOT PULL THE CABLE WHEN UN-MATING CONNECTORS
2. BONDING MUST NOT EXCEED THE LIMIT CRITERIA

PART NO.	FINISH
20598-0**T-02	CONTACT AREA : Au 0.1 μm MIN. OVER Ni 1.0 μm MIN. SOLDERING AREA : Au 0.03 μm MIN. OVER Ni 1.0 μm MIN.

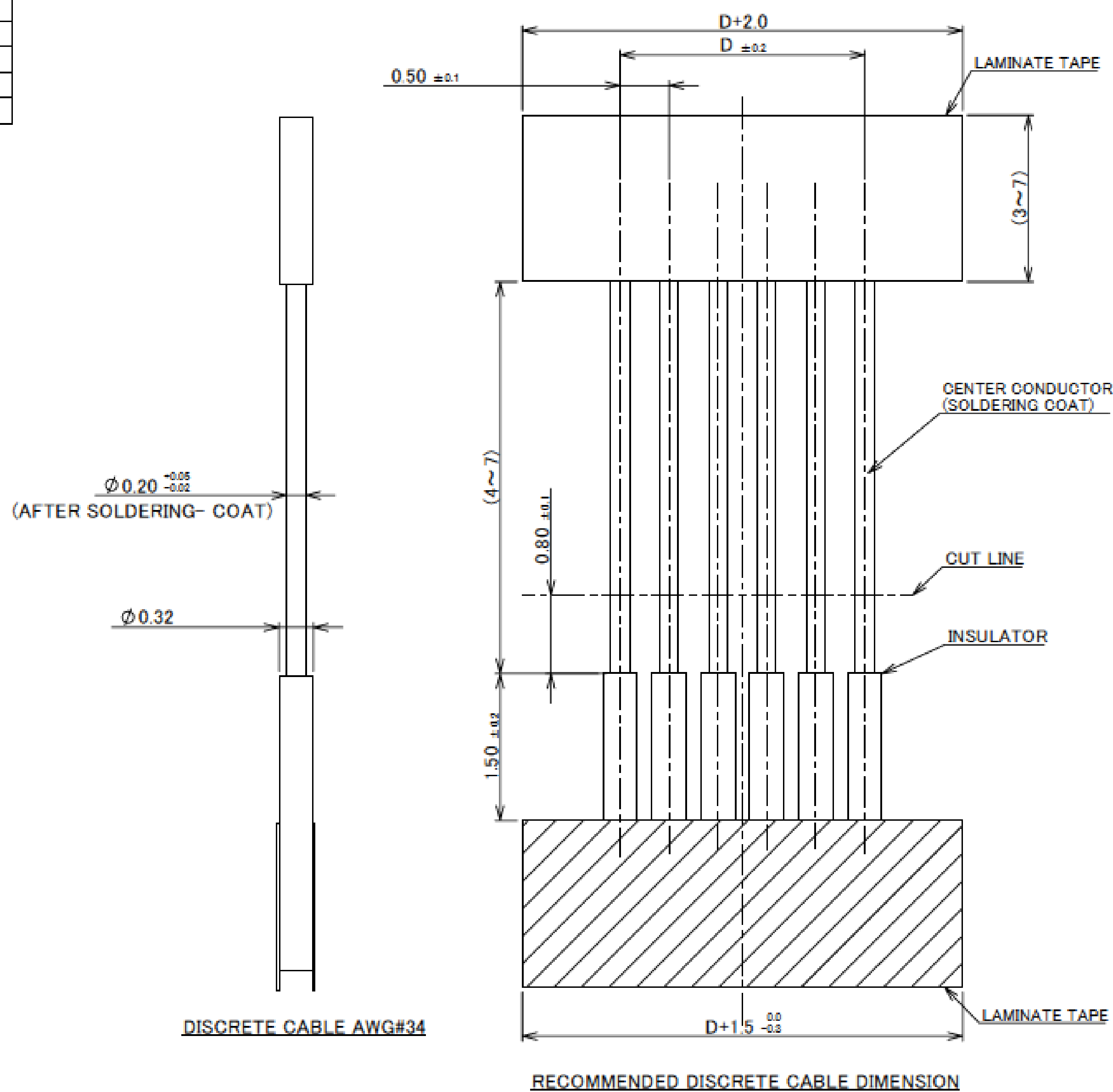
NO.	DISCRIPTION	MATERIAL	FINISH, REMARKS
2	CONTACT	PHOSPHOR BRONZE	SEE TABLE 1
1	HOUSING	LCP	UL94V-0, BLACK



Plug for Cable Assembly

PART No.	POS.	D
20598-006T-02	6	2.50
20598-008T-02	8	3.50
20598-010T-02	10	4.50
◆20598-020T-02	20	9.50

◆ MARK MEANS NOT AVAILABLE



Rev.3

ITEMS	SPECIFICATION
APPLICABLE CABLE	DISCRETE : AWG#34
RATING VOLTAGE	50V AC (PER A CONTACT)
RATING AMPERAGE	0.7A DC [AWG#34] (PER A CONTACT)
OPERATING TEMPERATURE	233~358K(-40°C~85°C)
OPERATING HUMIDITY	80% MAX.(NON-CONDENSING)
CONTACT RESISTANCE	INITIAL : 40mohm MAX. / AFTER TEST : \surd 20mohm MAX.
INSULATION RESISTANCE	INITIAL : 1000Mohm MIN. / AFTER TEST : 500Mohm MIN.
DIELECTRIC WITHSTANDING VOLTAGE	AC200V 1min
DURABILITY	20TH CYCLES
ACTUATOR LOCKING FORCE (INITIAL / 20TH CYCLES)	INITIAL/ 20TH CYCLES : $0.6N(61gf) \times (n + 2)$ MAX.
ACTUATOR UNLOCKING FORCE (INITIAL / 20TH CYCLES)	INITIAL/ 20TH CYCLES : $0.05N(5gf) \times (n + 2)$ MIN.
PLUG RETENTION FORCE (INITIAL / AFTER TEST)	INITIAL : $0.15N(15gf) \times n + 2.0N$ MIN. / AFTER TEST : $0.15N(15gf) \times n + 1.0N$ MIN.
PRODUCT SPECIFICATION	PRS-1880
TEST REPORT	TR-13103
PACKING STANDARD	PST-14006
INSTRUCTION MANUAL	HIM-14010
ASSEMBLY MANUAL	ASM-12002

※ "n" IS THE NUMBER OF PIN

Receptacle for Cable Assembly

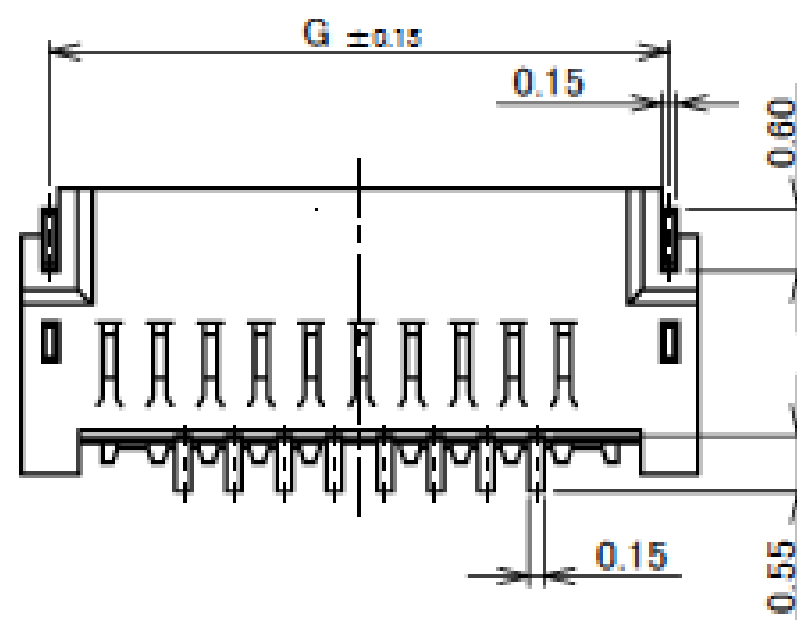
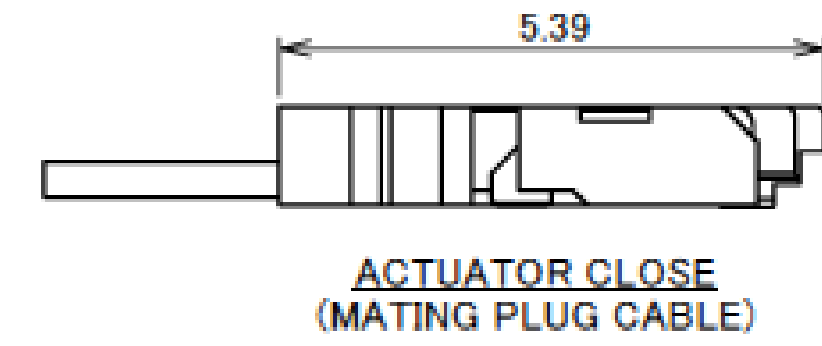
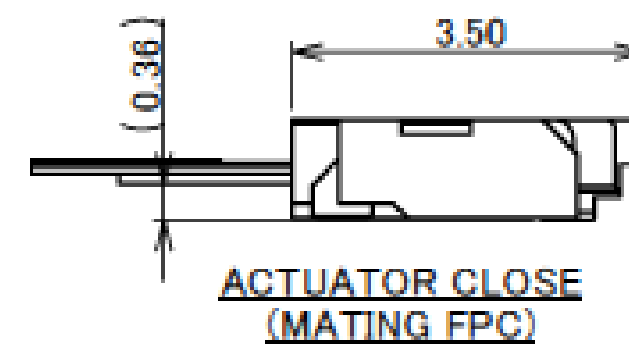
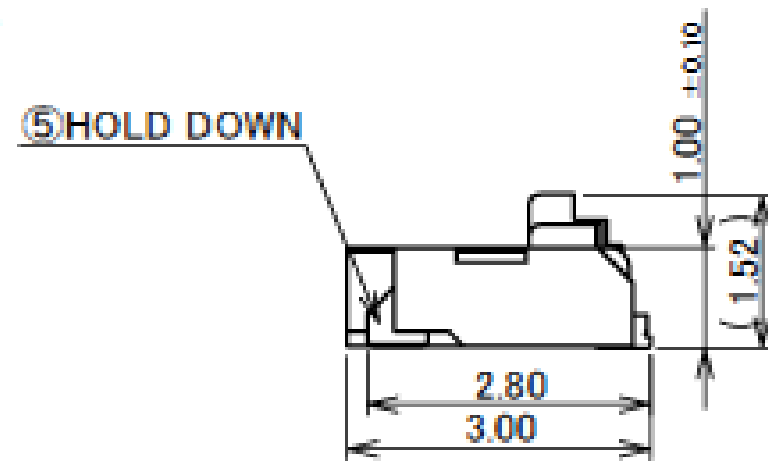
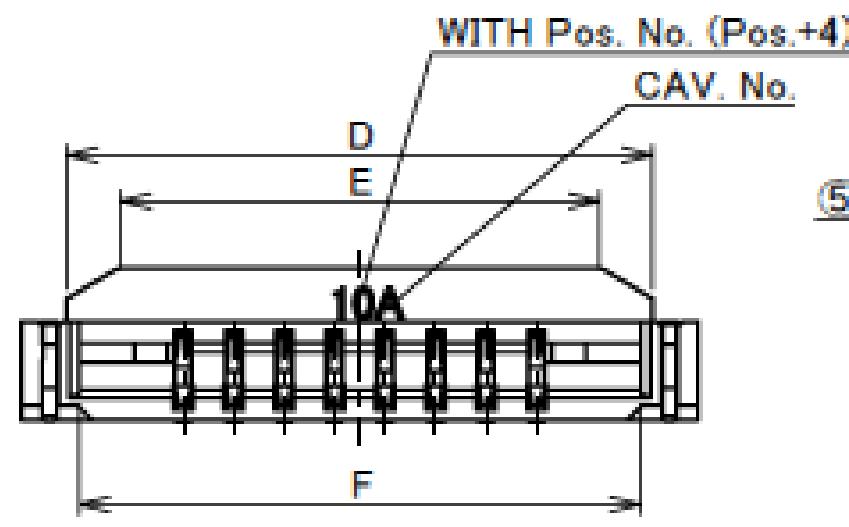
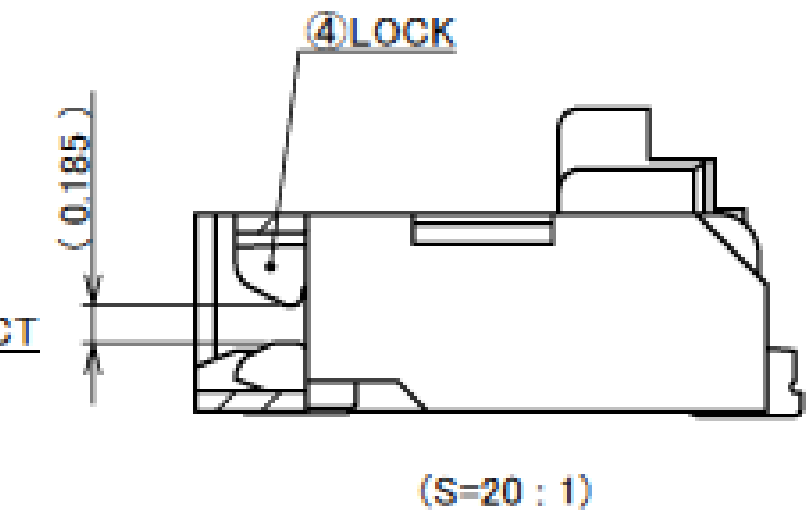
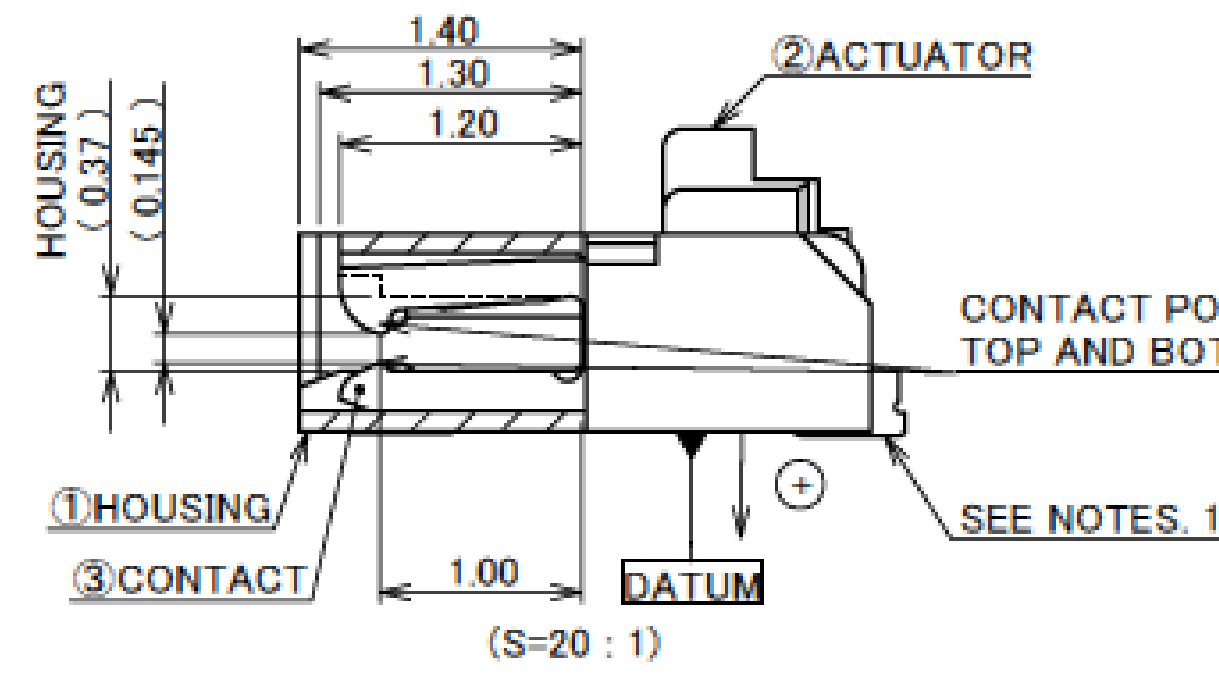
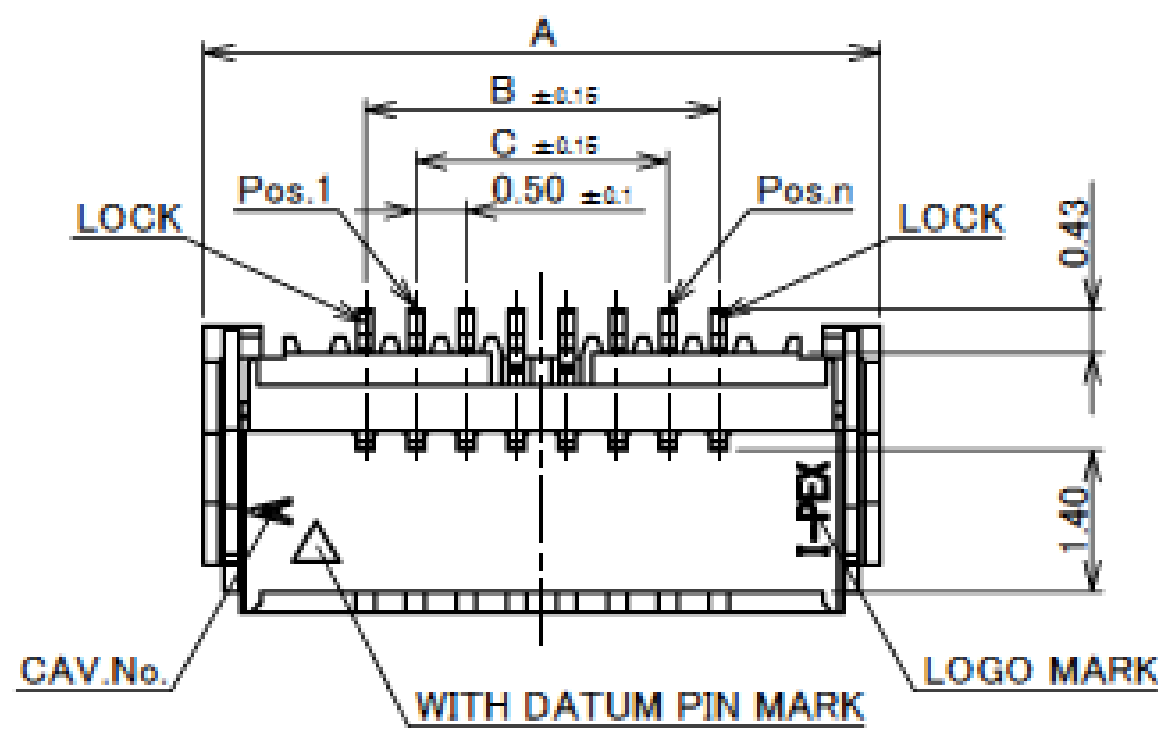
Recommended P/N 20597-0**E-02



CAUTION VISIT OUR WEBSITE FOR LATEST VERSIONS OF INSTRUCTION MANUAL NO. HIM-14010 AND HIM-12019 TO HANDLE THE PRODUCT PROPERLY AND SAFELY.

PART No.	POS.	A	B	C	D	E	F	G
20597-006E-02	6	6.70	3.50	2.50	5.80	4.80	5.56	6.15
20597-008E-02	8	7.70	4.50	3.50	6.80	5.80	6.56	7.15
20597-010E-02	10	8.70	5.50	4.50	7.80	6.80	7.56	8.15
◆20597-020E-02	20	13.70	10.50	9.50	12.80	6.80	12.56	13.15

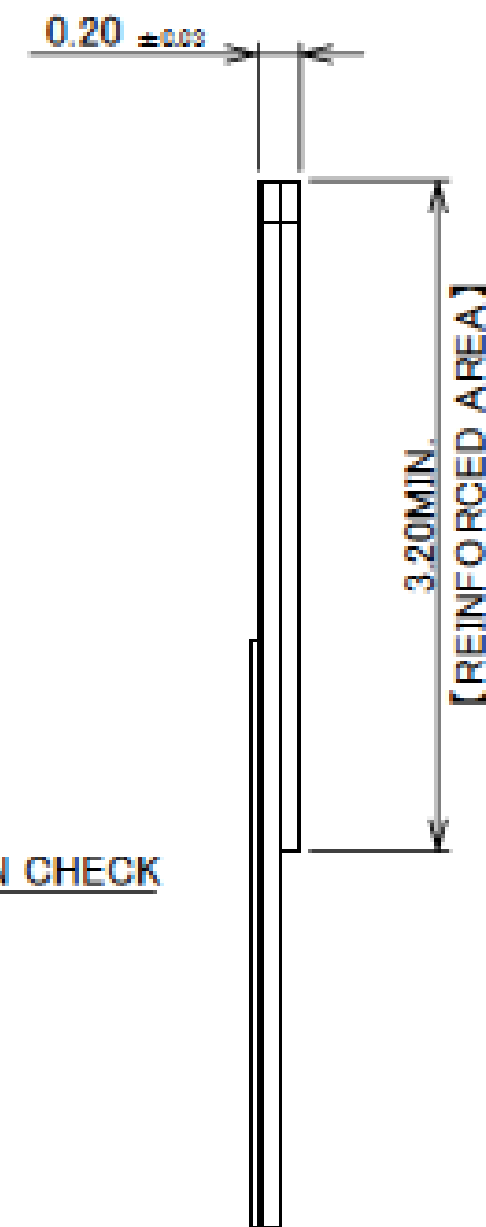
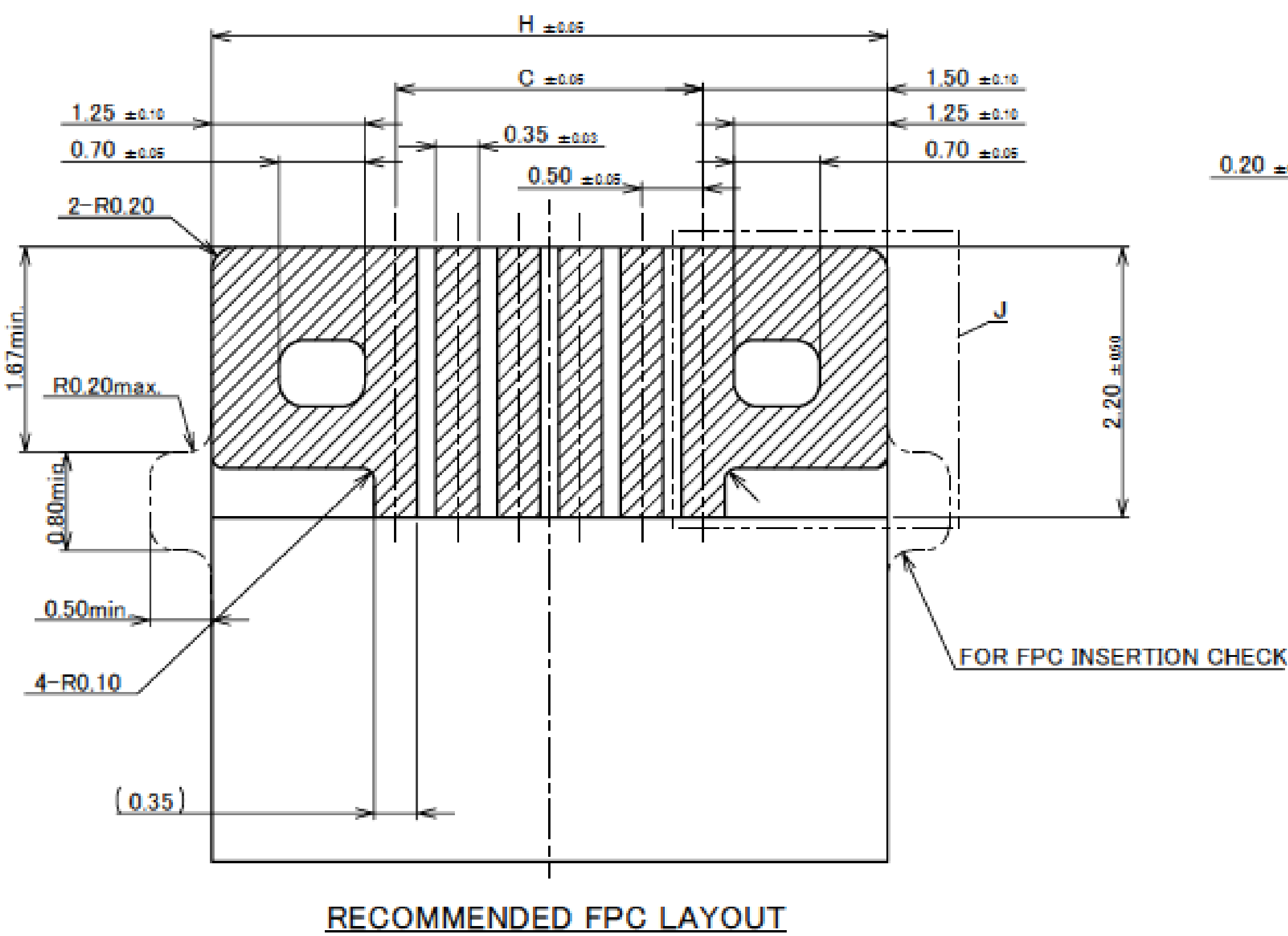
◆ MARK MEANS NOT AVAILABLE



5	HOLD DOWN	PHOSPHOR BRONZE	Sn 2~6 μm MIN.OVER Ni 1.0 μm MIN.
4	LOCK	PHOSPHOR BRONZE	Au 0.03 μm MIN. OVER Ni 1.0 μm MIN.
3	CONTACT	PHOSPHOR BRONZE	CONTACT AREA : Au 0.1 μm MIN. OVER Ni 1.0 μm MIN. SOLDERING AREA : Au 0.03 μm MIN. OVER Ni 1.0 μm MIN.
2	ACTUATOR	LCP	UL94V-0, BEIGE
1	HOUSING	LCP	UL94V-0, BEIGE

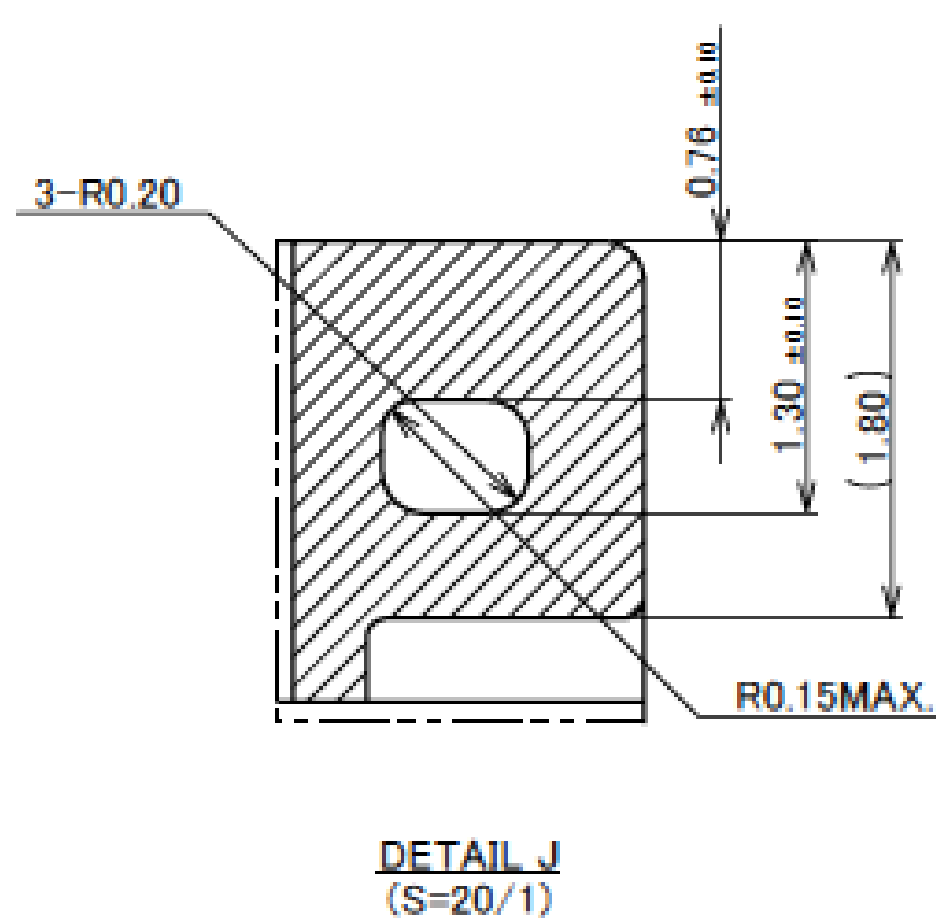
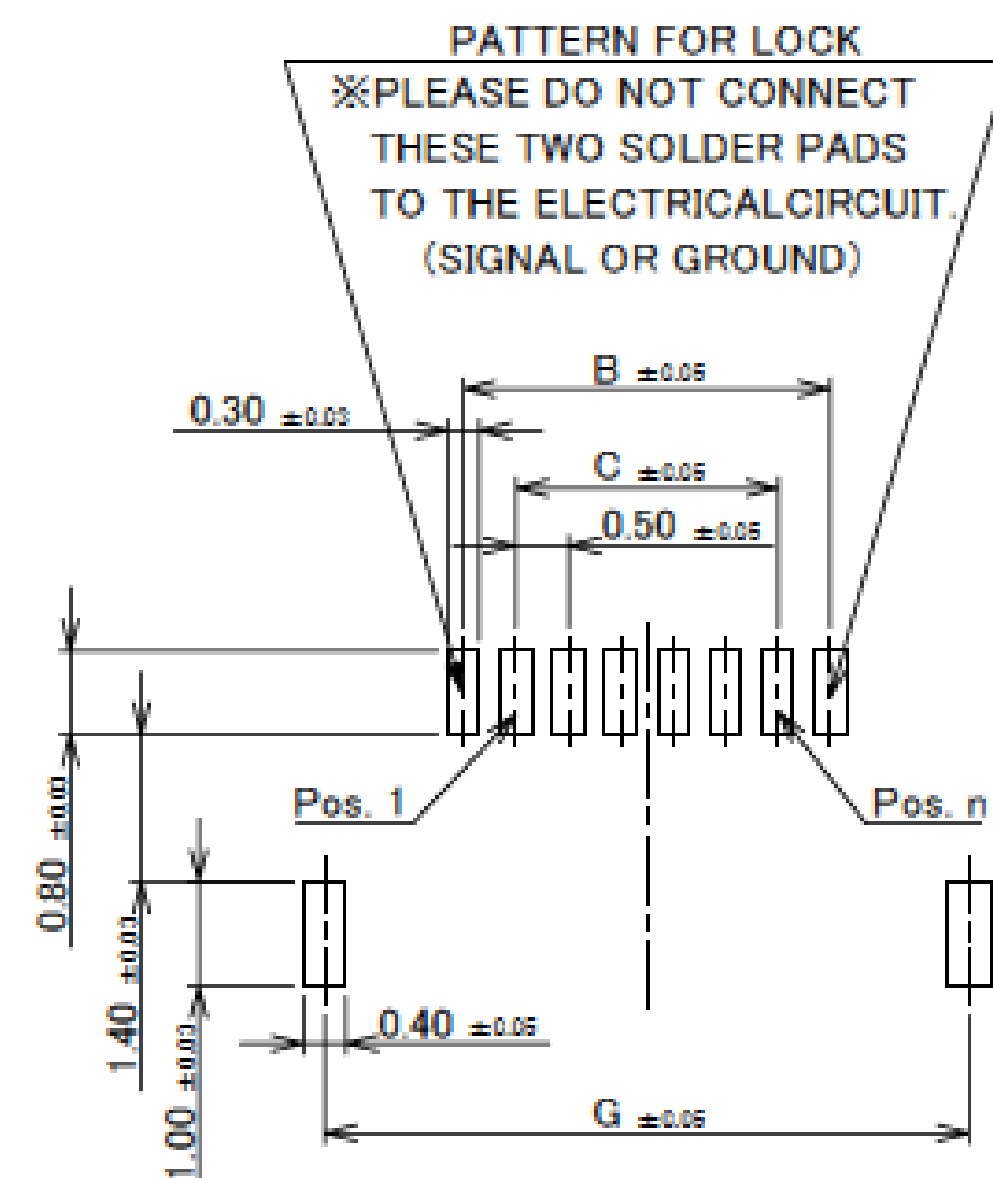
NOTES
1. CONTACT TAIL IS PROJECTION FROM HOUSING IN THE + DIRECTION. (0~0.06)

Rev.7



PART No.	POS.	B	C	G	H
20597-006E-02	6	3.50	2.50	6.15	5.50
20597-008E-02	8	4.50	3.50	7.15	6.50
20597-010E-02	10	5.50	4.50	8.15	7.50
◆20597-020E-02	20	10.50	9.50	13.15	12.50

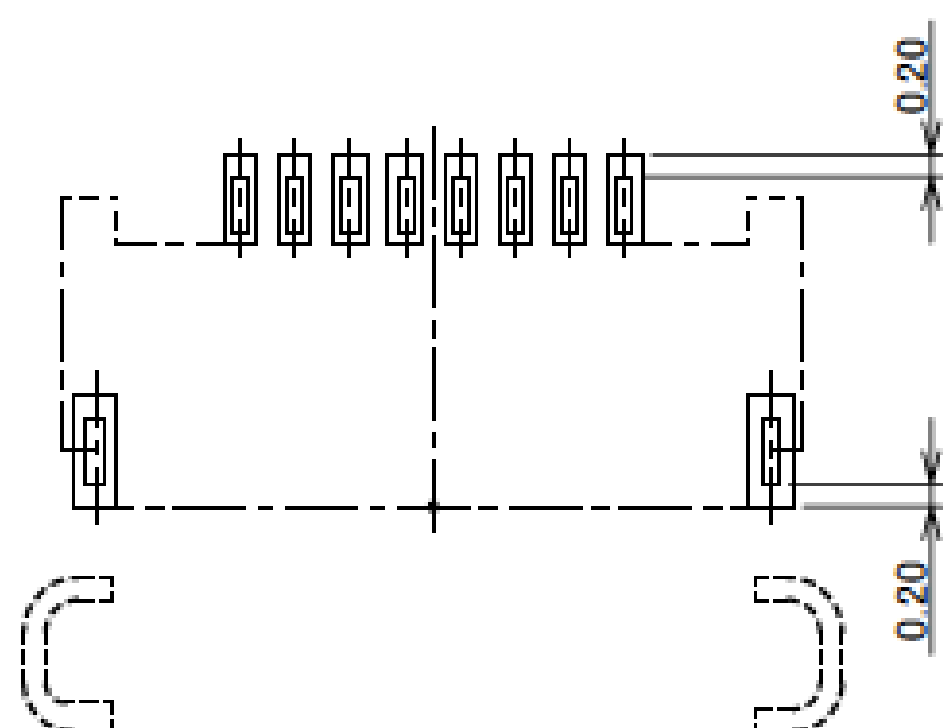
◆ MARK MEANS NOT AVAILABLE



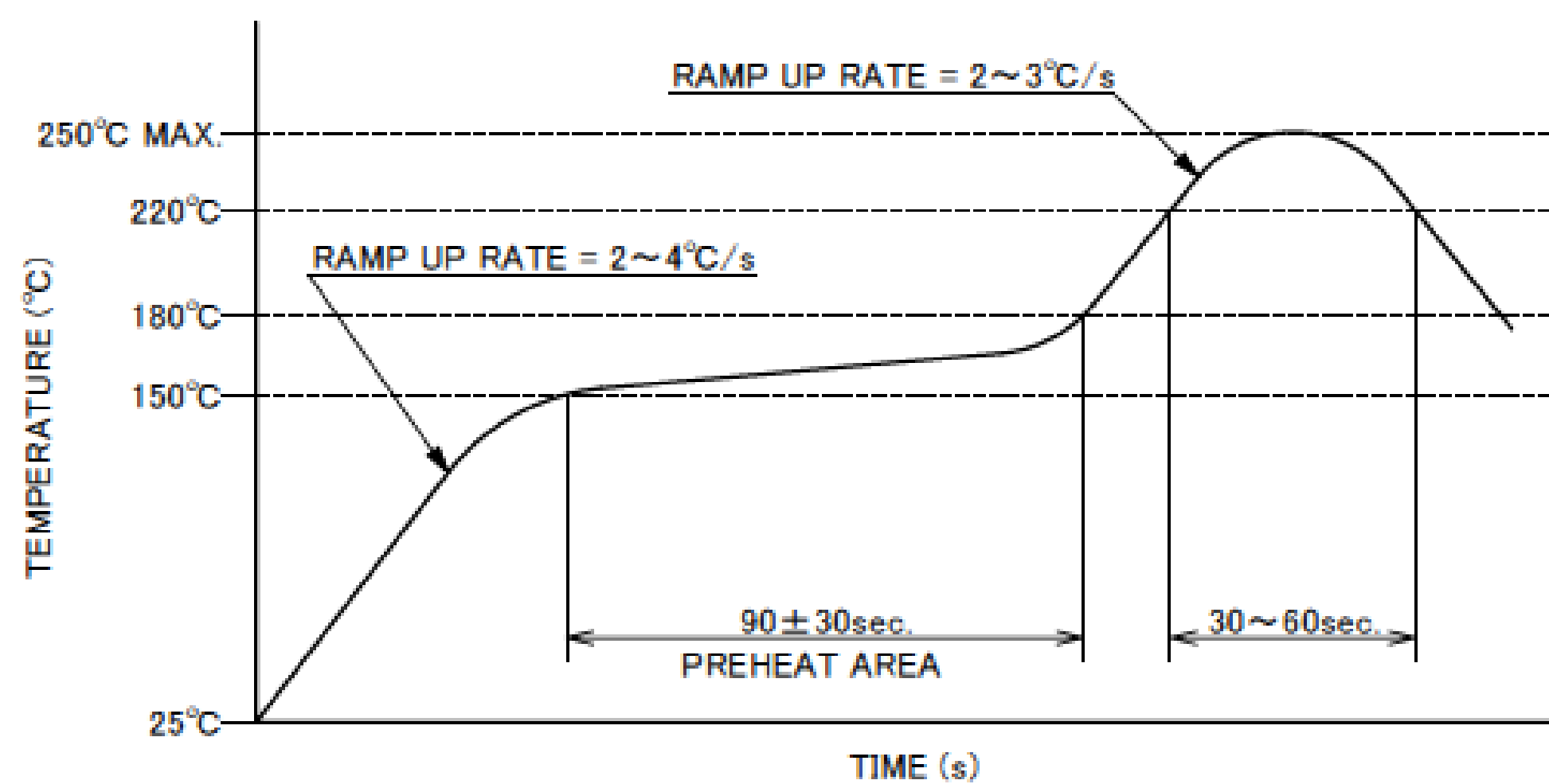
NOTES
2.MATERIAL
COVER FILM : PI
CONDUCTOR : COPPER(RARE)
BASE FILM : PI
STIFFENER : PI
ADHESIVE : THERMOSETTING ADHESIVE
3.FINISH
Au OVER Ni PLATING.

Rev.7

Receptacle for Cable Assembly



CONNECTOR ON RECOMMENDED FOOTPRINT PATTERN



REFLOW TEMPERATURE PROFILE
SENJU METAL INDUSTRY CO., LTD. : M705-SHF(Sn96.5 Ag3.0 Cu0.5)

Rev.7

ITEMS	SPECIFICATION
RATING VOLTAGE	50V AC (PER CONTACT)
RATING AMPERAGE	0.5A DC [FPC] (PER CONTACT) 0.7A DC [AWG#34] (PER CONTACT)
OPERATING TEMPERATURE	233~358K(-40°C~85°C)
OPERATING HUMIDITY	80% MAX.(NON-CONDENSING)
CONTACT RESISTANCE	INITIAL : 40mohm MAX. / AFTER TEST : \triangle 20mohm MAX.
INSULATION RESISTANCE	INITIAL : 1000Mohm MIN. / AFTER TEST : 500Mohm MAX. (PLUG CABLE) 100Mohm MIN. (FPC)
DIELECTRIC WITHSTANDING VOLTAGE	AC200V 1min
DURABILITY	20TH CYCLES
ACTUATOR LOCKING FORCE (INITIAL / 20TH CYCLES)	INITIAL/ 20TH CYCLES : $0.6N(61gf) \times (n + 2)$ MAX.
ACTUATOR UNLOCKING FORCE (INITIAL / 20TH CYCLES)	INITIAL/ 20TH CYCLES : $0.05N(5gf) \times (n + 2)$ MIN.
PLUG AND FPC RETENTION FORCE (INITIAL / AFTER TEST)	INITIAL : $0.15N(15gf) \times n + 2.0N$ MIN. / AFTER TEST : $0.15N(15gf) \times n + 1.0N$ MIN.
COPLANARITY	0.08 MAX.
PRODUCT SPECIFICATION	PRS-1880
TEST REPORT	TR-13103
PACKING STANDARD	PST-13047
INSTRUCTION MANUAL	HIM-14010 (FOR MATING PLUG CABLE) HIM-12019 (FOR MATING FPC)
APPEARANCE CRITERIA No.	QLS-A***

※ "n" IS THE NUMBER OF PIN

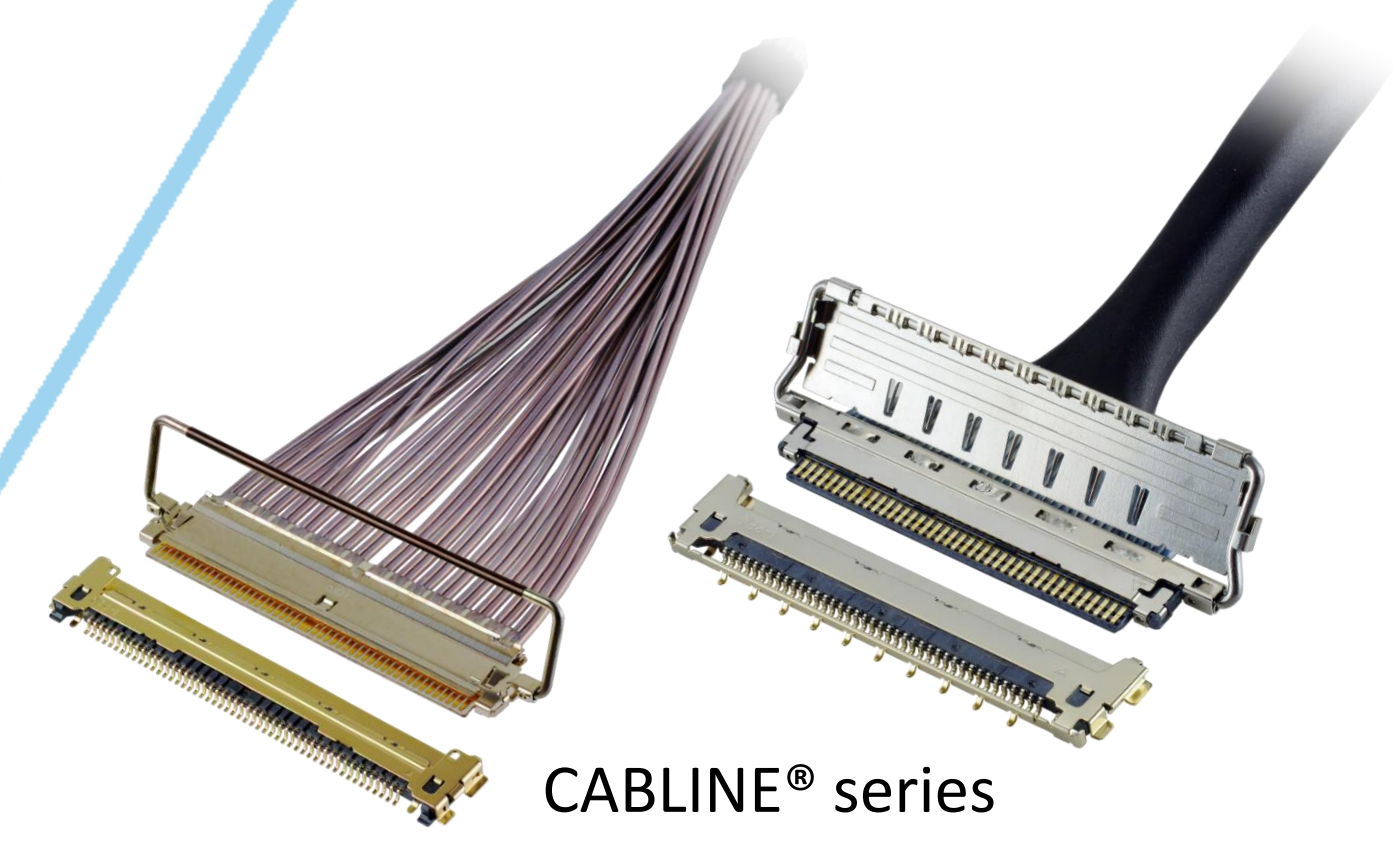
Custom Connectors Available

 RF Connector

MHF® series



CABLINÉ® series
Micro-coaxial/Twinax/
Discrete Wire Connector



Optical Module

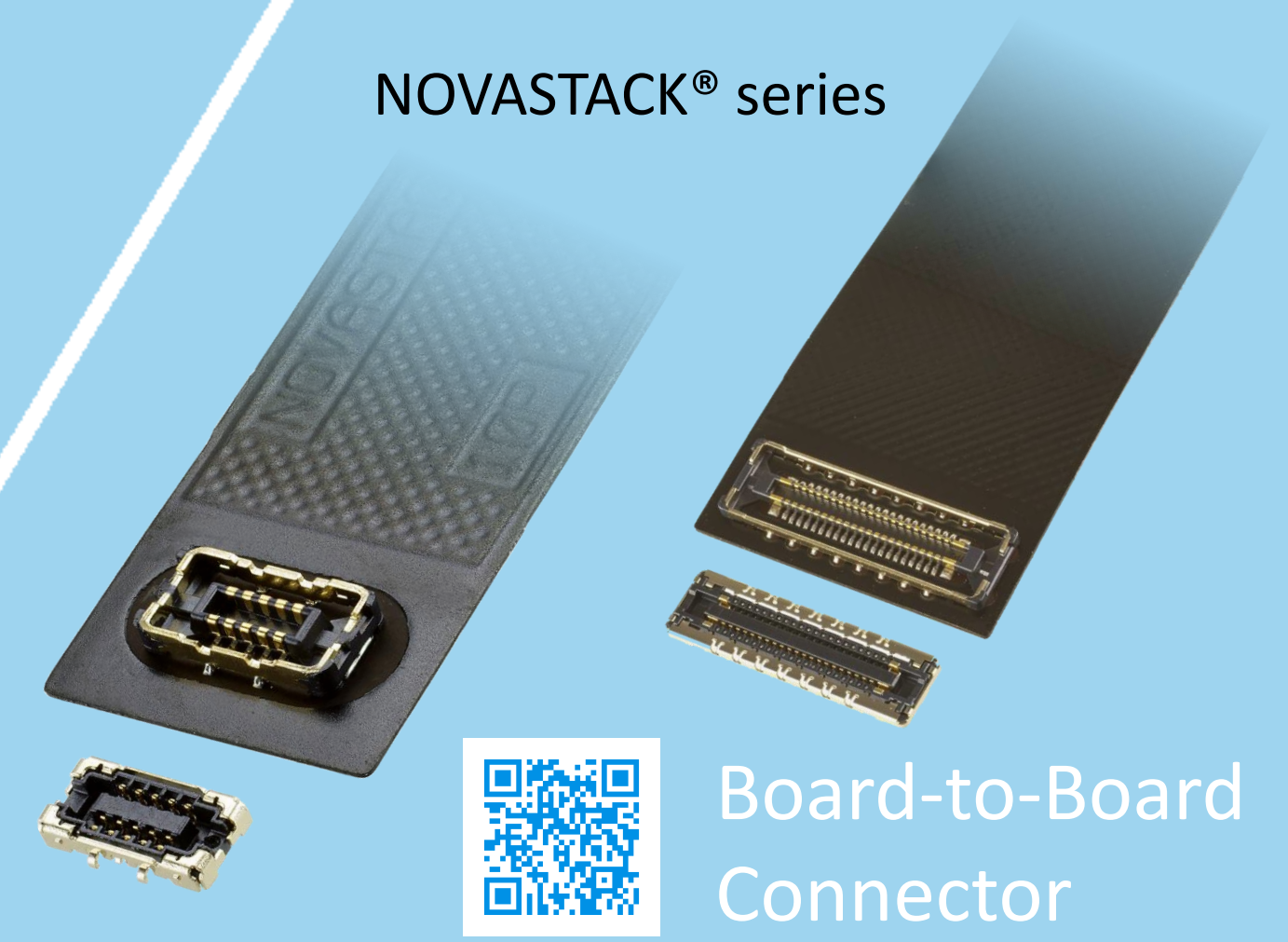
LIGHTPASS® series



NOVASTACK® series



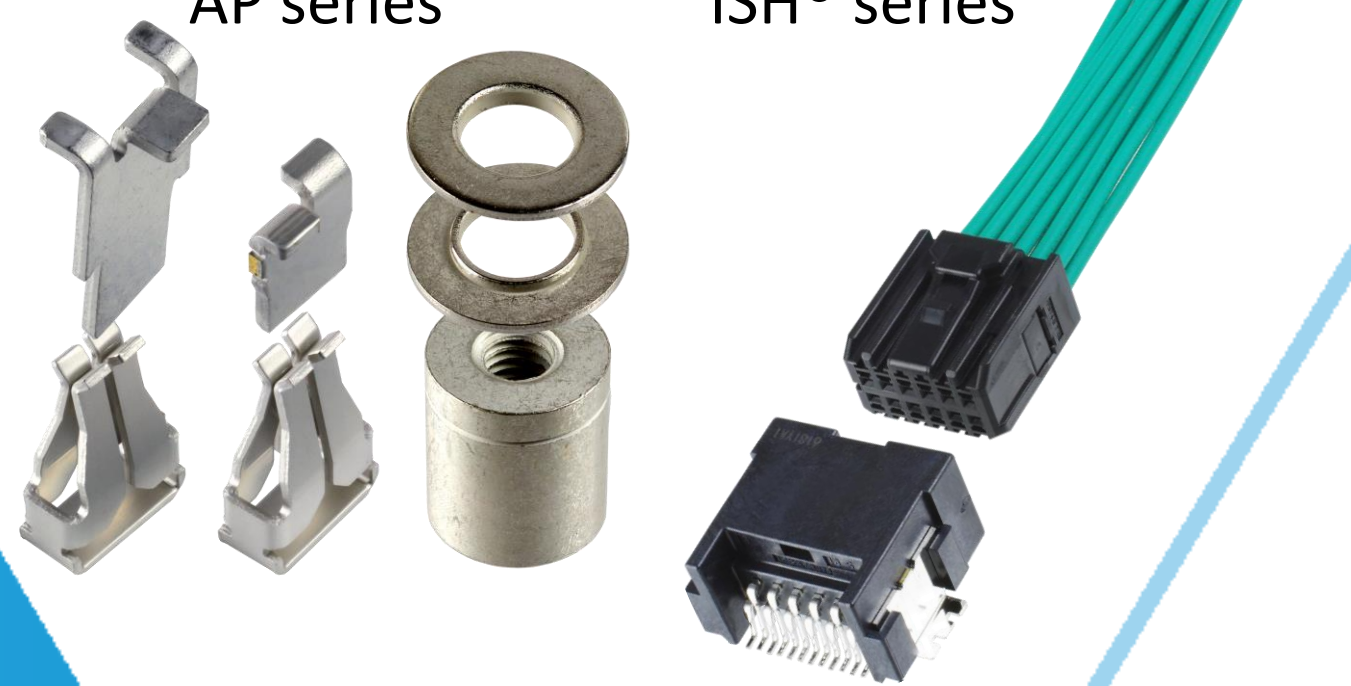
Board-to-Board Connector



Power Connector/
Terminal

AP series

ISH® series



MINIFLEX® series

EVAFLEX® series



FPC FFC Connector



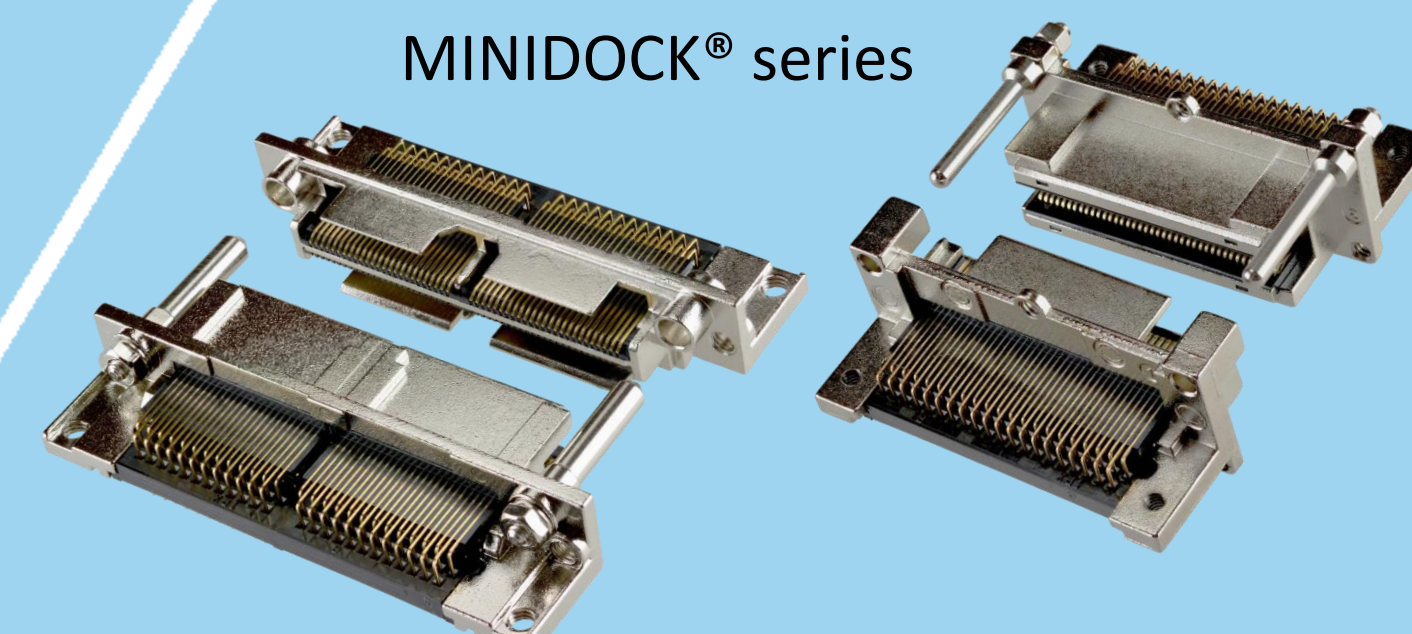
Inquiry



MINIDOCK® series



I/O Connector



I-PEX, MHF, CABLINE, LIGHTPASS, NOVASTACK, ISH, IARPB, MINIFLEX, EVAFLEX, MINIDOCKS and ZenShield are registered trademarks of I-PEX Inc. Please note that the contents in the catalog might be changed without prior notification. I-PEX Inc. assumes no responsibility for any inaccuracies or obligation to update information on these documents. Please be sure to read and understand the latest "Precautions for Use" and "Instruction Manual" before you use our products. We shall not be responsible for any defects, damages or troubles in case you use our products without following the precautions for use. Please feel free to contact our sales representatives when you use our products for any applications that require very high reliability and safety, or that relate to human life (ex. nuclear power control, aerospace, transportation, medical equipment, safety equipment etc.).

Contact your sales representative or more detailed information.

www.i-pex.com



I-PEX

© I-PEX Inc. 2024
All rights reserved