

CABLINE®- VS

VESA標準款連接器，適用於高速數據傳輸(20Gbps/lane), 機械鎖扣，0.5mm 間距,水平對插款的極細同軸線連接器

Product Specifications:

Mating type	Horizontal	
Board Pitch (mm)	0.5	
Wiping Length (mm)	0.61	
Mated size (mm)	Height	1.0 +/- 0.1
	Width	Formula: 7.55 + (0.5*?p)
	Depth	5.8
Pin Counts	Range	Up to 50
	Available	20, 30, 40, 50

Applicable Cable Size:

Maximum O.D. (mm)	0.5
Micro-Coaxial for Signal (AWG)	45 ohm: #36 or smaller
	50 ohm: #38 or smaller
Twinax (AWG)	#40
Discrete (AWG)	#32 or smaller

Applicable Standards (Reference Only):

USB4 Gen3 /Thunderbolt 4 (20 Gbps/lane), PCIe (16 GT/s), eDP (8.1 Gbps)

*若有規格外 Pin數需求,請與當地負責業務窗口聯繫。

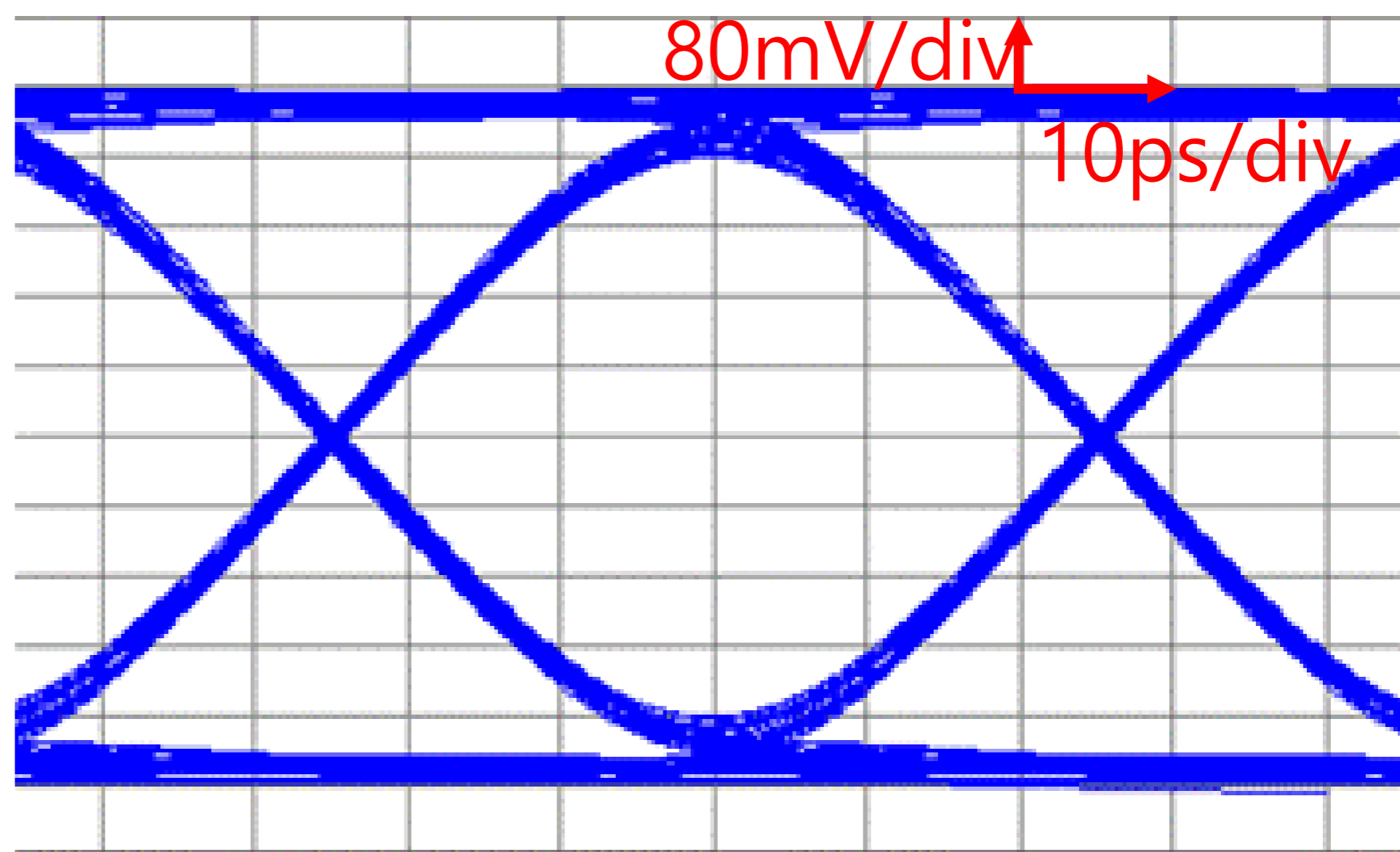


▶ 高速率傳輸, USB4 Gen3/Thunderbolt 4 (20Gbps/lane) 應用的理想之選

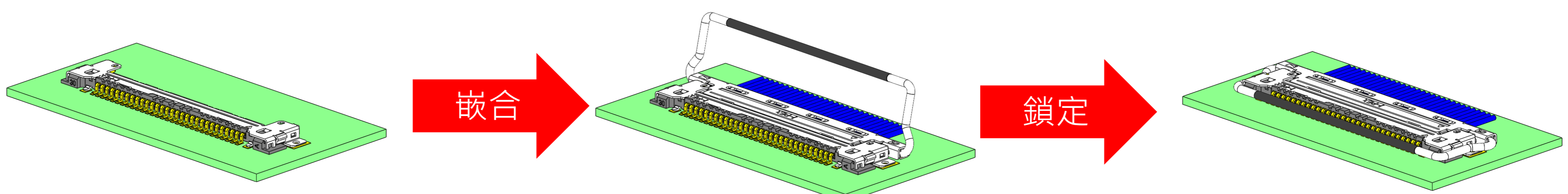
USB4 Gen3/Thunderbolt 4 (20Gbps/lane)

眼圖 (微分)
 比特率：20Gbps
 上升時間：30ps (10-90%)
 輸入電壓：800mVp-p

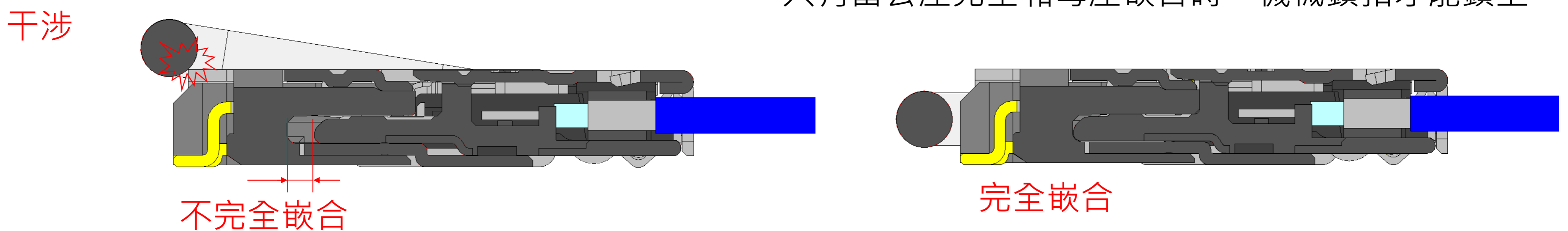
*更多測試細節,請聯繫I-PEX 連接器。



▶ 機械鎖扣防止連接器不完全嵌合及脫落/未嵌合



只有當公座完全和母座嵌合時，機械鎖扣才能鎖上

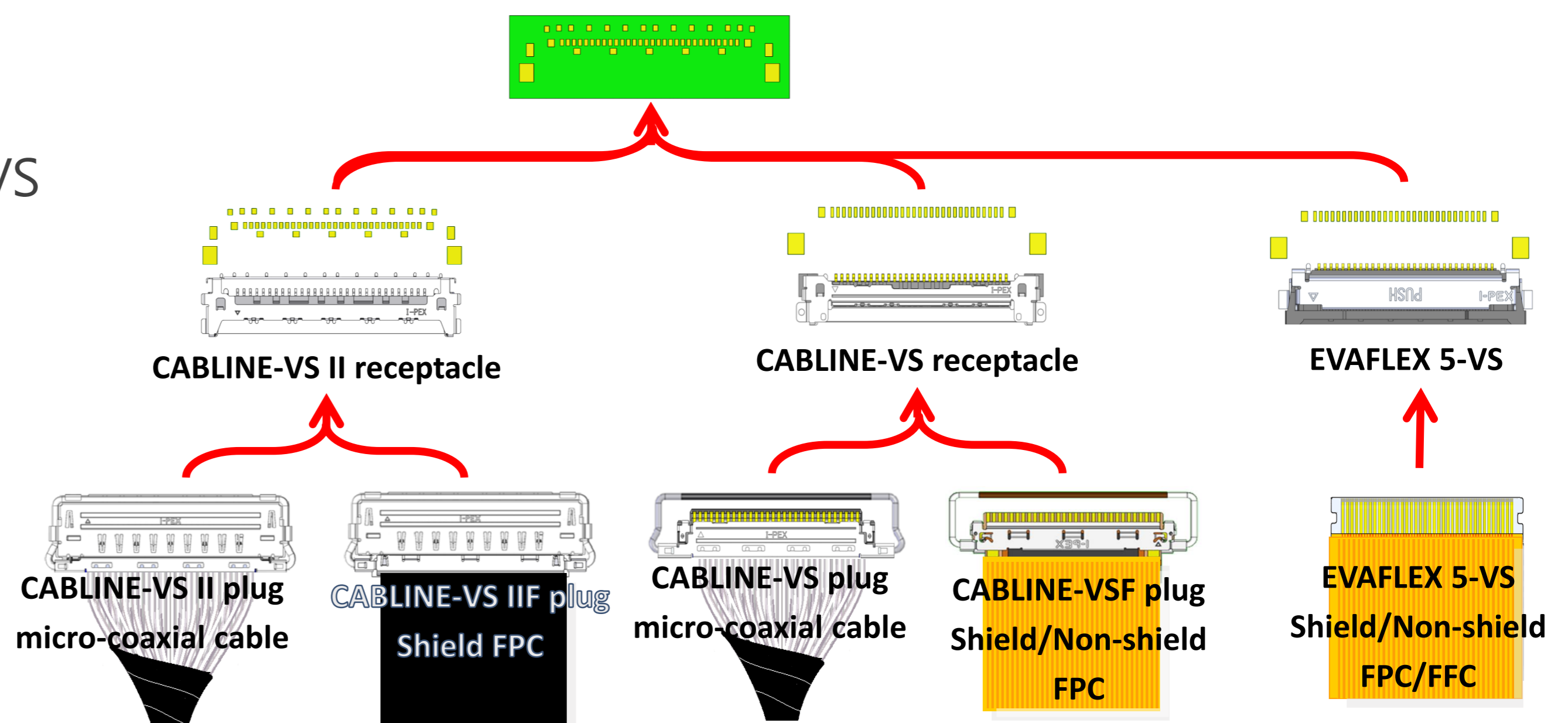


▶ I-PEX VS系列多款連接器可選

I-PEX VS 系列 (0.5mm間距,水平對插款式)

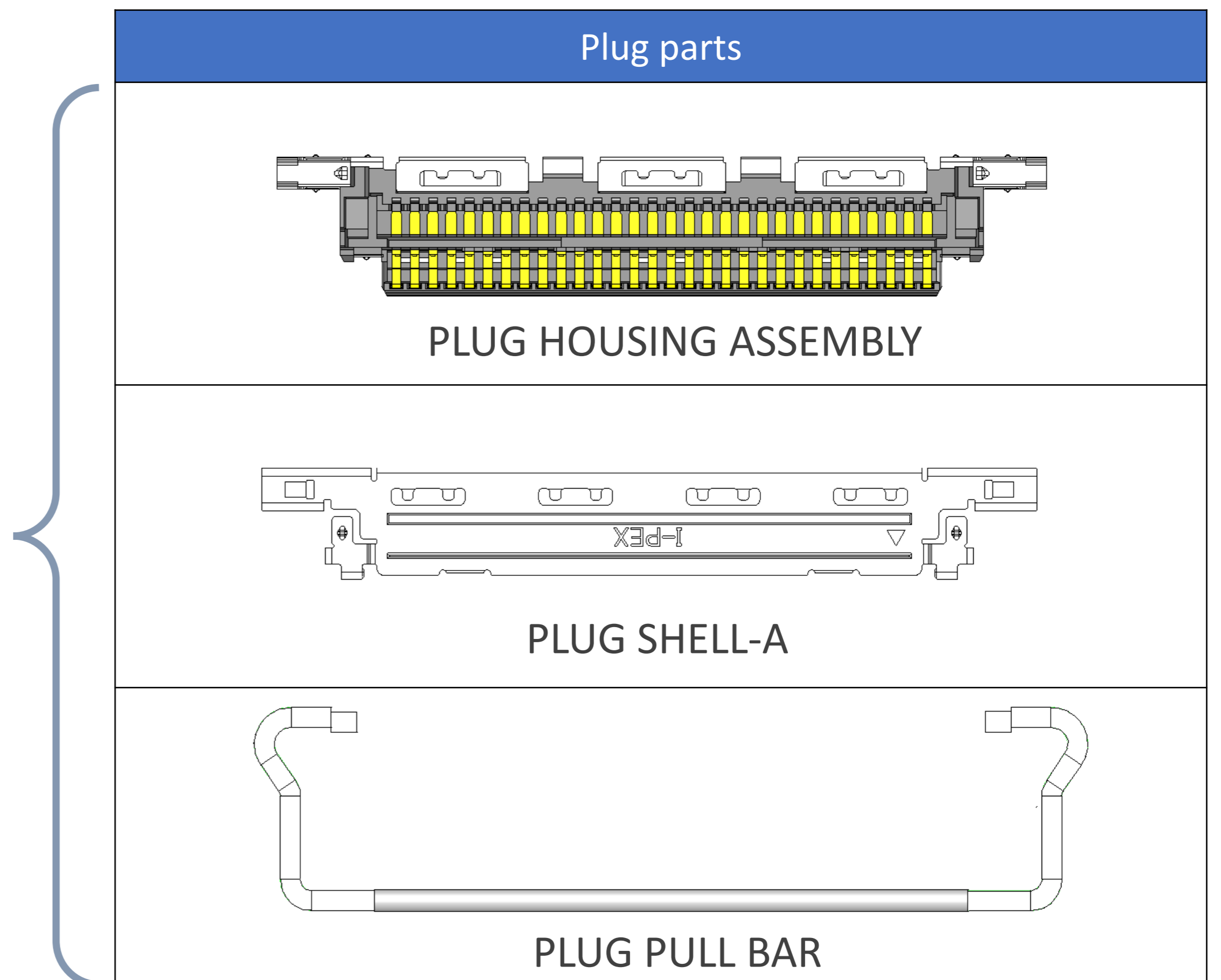
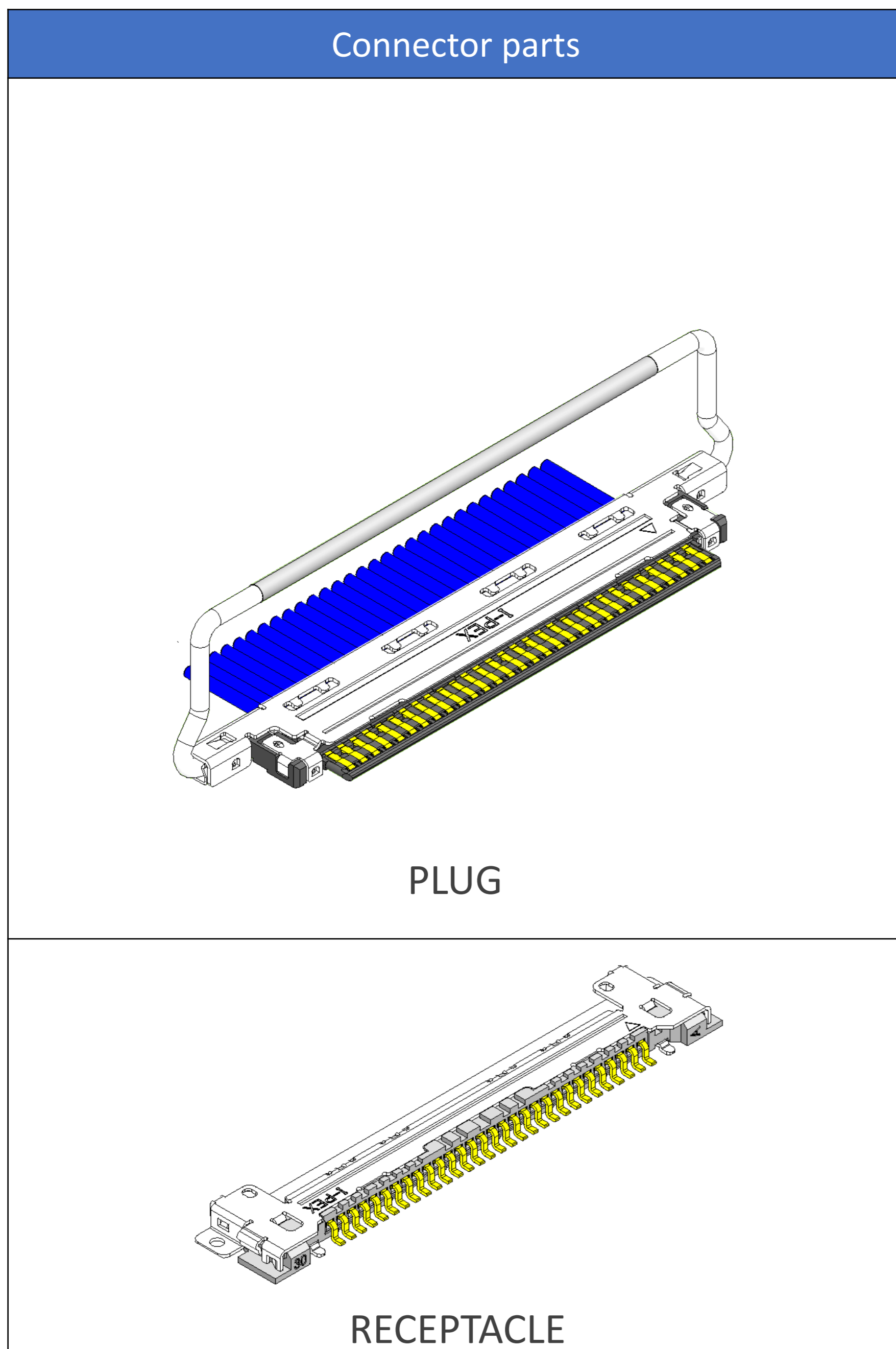
CABLINE-VS, VS II 的母座和 EVAFLEX® 5-VS 可以安裝在相同封裝的PCB上。

CABLINE-VS 母座:
 VESA 標準連接器，Notebook PC panel 連接器占較大市場份額。



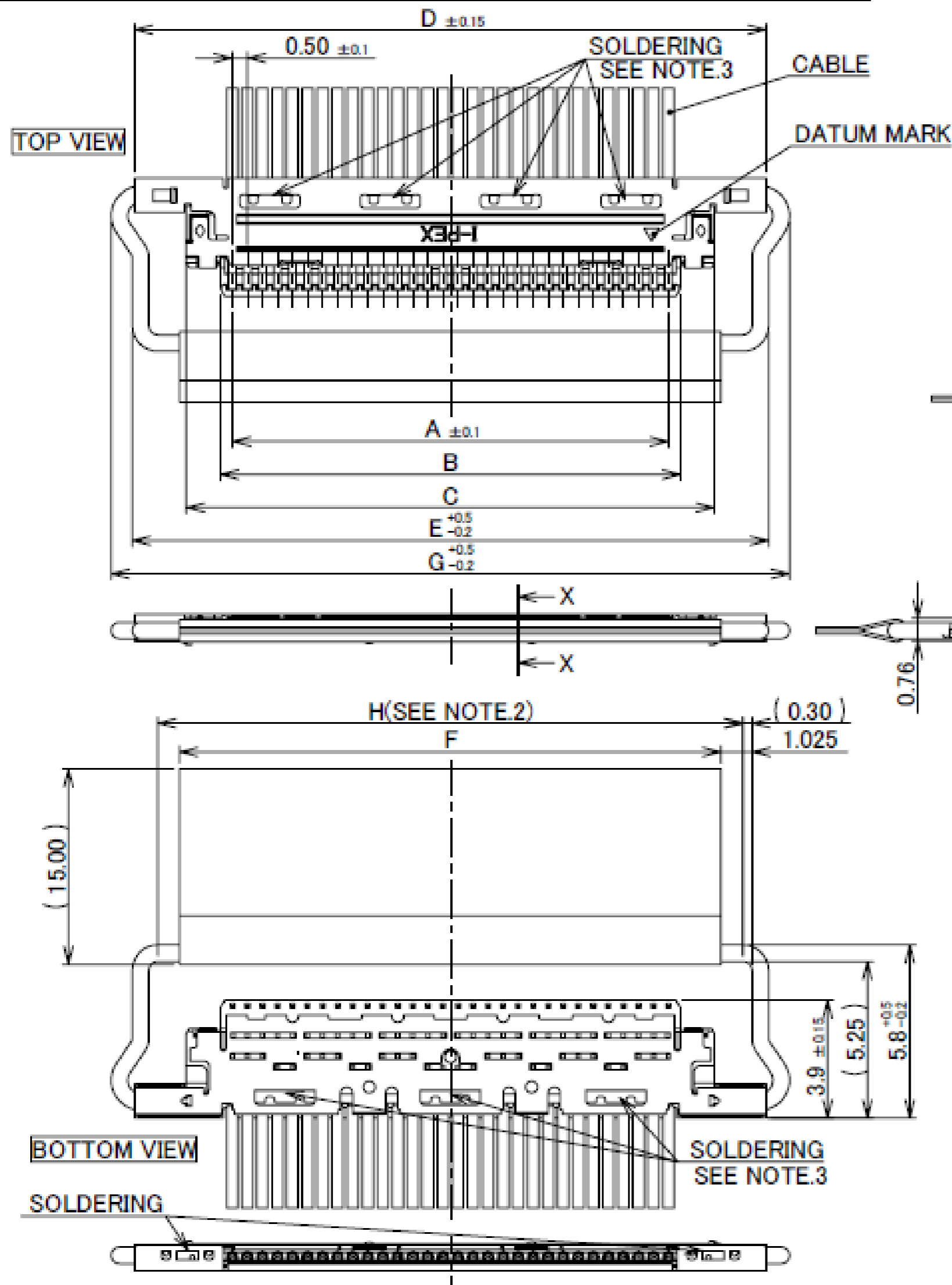
Component Parts Details

Component Parts



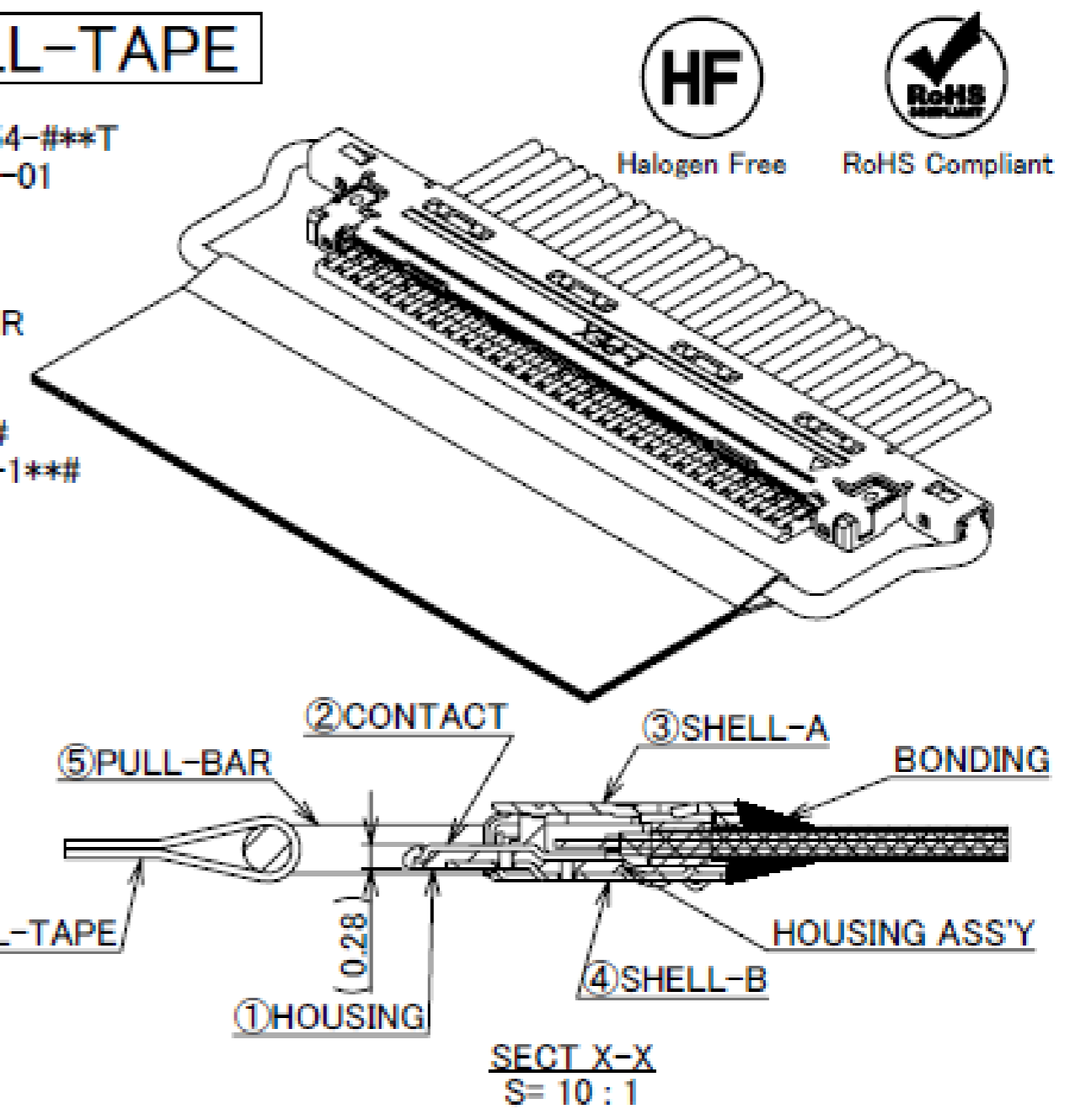
Plug for Cable Assembly

Recommended P/N	20453-2**T-03(20P/30P/40P)								20453-250T-03S(50P)		
PART NO.	Pos.	A	B	C	D	E	F	G	H		
20453-#20T-#1	20	9.50	10.30	12.56	16.00	16.15	13.00	17.55	14.45		
20453-#30T-#1	30	14.50	15.30	17.56	21.00	21.15	18.00	22.55	19.45		
20453-#40T-#1	40	19.50	20.30	22.56	26.00	26.15	23.00	27.55	24.45		
20453-#50T-#1S	50	24.50	25.30	27.56	31.00	31.15	28.00	32.55	29.45		



WITH PULL-BAR & PULL-TAPE

- P/N:20453-#**T-###
- NOTHING : HOUSING ASS'Y P/N 20454-##*T
S : HOUSING ASS'Y P/N 20454-##*T-01
- 1 : WITH PULL-BAR P/N 2576-0**00
2 : WITHOUT PULL-BAR
3 : WITH INSULATION COAT PULL-BAR P/N 2576-1**00
- 0 : WITH DATUM MARK P/N 2574-0**#
1 : WITHOUT DATUM MARK P/N 2574-1**#
- SEE TABLE.1



CABLE ASS'Y PART NO.	HOUSING ASS'Y PART NO.	SHELL-A PART NO.	PULL-BAR PART NO.
20453-0**T-#1#	20454-0**T-##	2574-##*	2576-0**00
20453-2**T-#1#	20454-2**T-##	2574-##*2	2576-0**00

TABLE.1

PART NO.	CONTACT FINISH	SHELL-A FINISH	SHELL-B FINISH
20453-0**T-###	CONTACT AREA : Au 0.1 μm MIN. OVER Ni 1.00 μm MIN. SOLDERING AREA : Au 0.05 μm MIN. OVER Ni 1.00 μm MIN.	TOP SIDE : Au 0.05 μm MIN. OVER Ni 1.00 μm MIN. BOTTOM SIDE : Au 0.015 μm MIN. OVER Ni 1.00 μm MIN.	TOP SIDE : Au 0.015 μm MIN. OVER Ni 1.00 μm MIN. BOTTOM SIDE : Au 0.05 μm MIN. OVER Ni 1.00 μm MIN.
20453-2**T-###	CONTACT AREA : Au 0.1 μm MIN. OVER Ni 1.00 μm MIN. SOLDERING AREA : Au 0.05 μm MIN. OVER Ni 1.00 μm MIN.	TOP SIDE : Au 0.03 μm MIN. OVER Ni 1.00 μm MIN. BOTTOM SIDE : Ni 1.00 μm MIN.(THERE IS THE POSSIBILITY THAT Au ATTACHES RANDOMLY)	TOP SIDE : Ni 1.00 μm MIN.(THERE IS THE POSSIBILITY THAT Au ATTACHES RANDOMLY) BOTTOM SIDE : Au 0.03 μm MIN. OVER Ni 1.00 μm MIN.

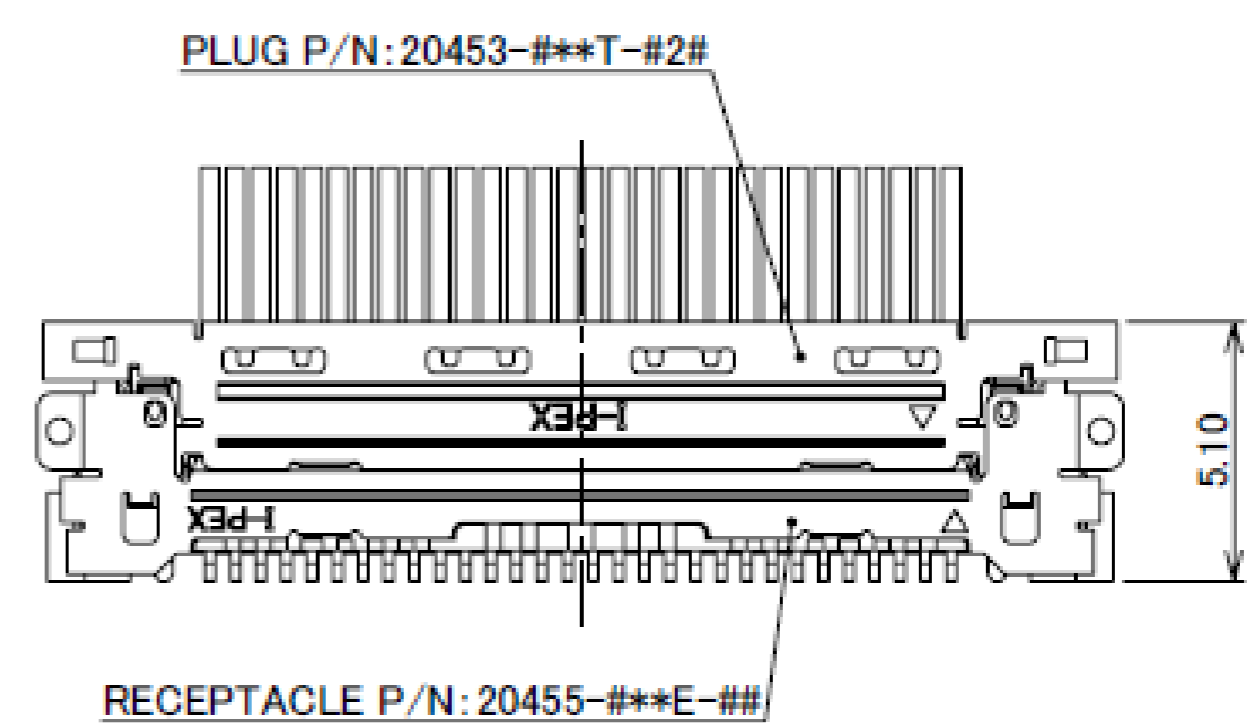
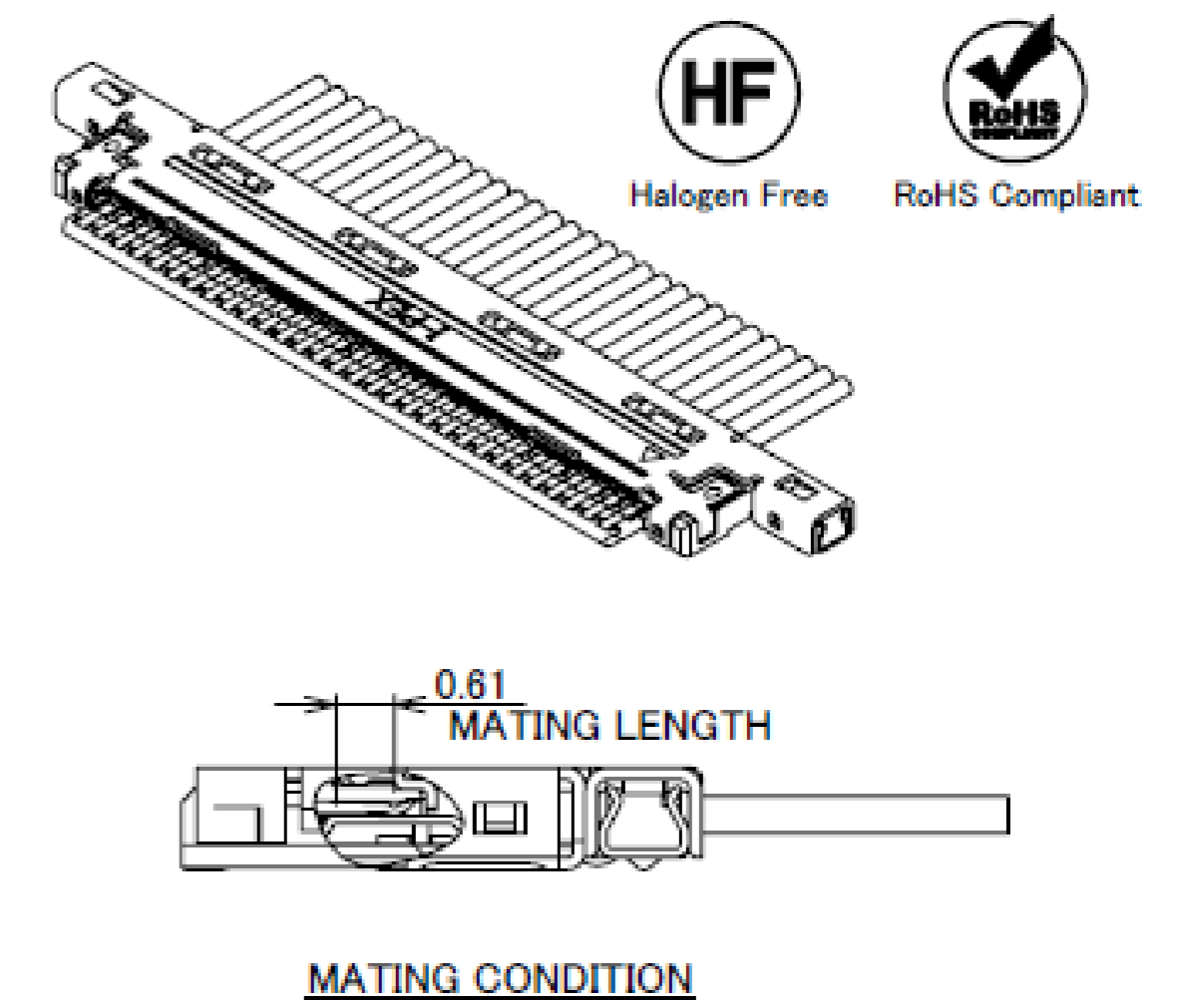
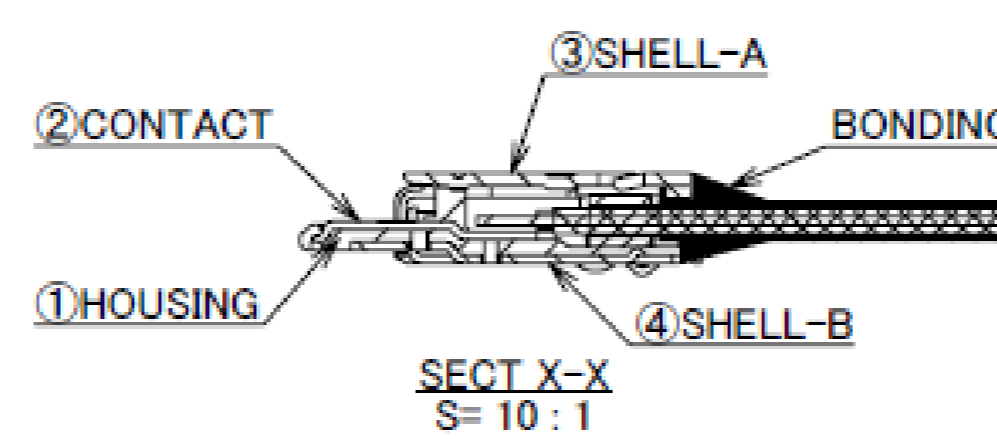
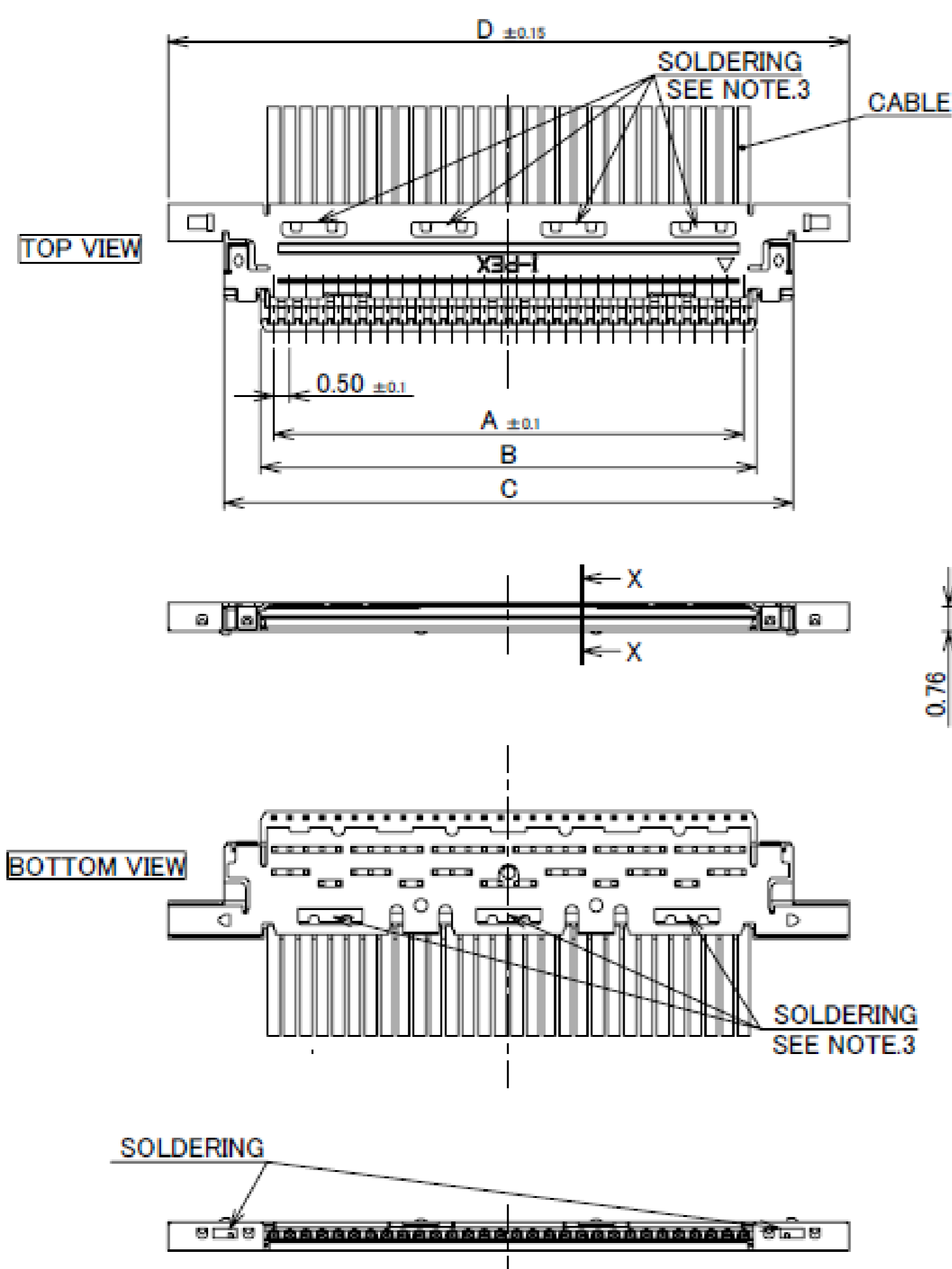
NO.	DISCRIPTION	MATERIAL	FINISH, REMARKS
5	PULL-BAR	SUS	
4	SHELL-B	PHOSPHOR BRONZE	SEE ABOVE TABLE.1
3	SHELL-A	PHOSPHOR BRONZE	SEE ABOVE TABLE.1
2	CONTACT	PHOSPHOR BRONZE	SEE ABOVE TABLE.1
1	HOUSING	LCP	UL94V-0, BLACK

- NOTES.
- 1.RECOMMENDED PULL-TAPE
PULL-TAPE : TERAOKA'S INSULATION TAPE No.650S(#50) t=0.08
2.PULL-TAPE CAN BE PUT WITHIN THE RANGE OF "H"(STRAIGHT AREA)
3.SOLDERING IS ONLY A CASE WITH GND-BAR

Rev.34

Recommended P/N	20453-2**T-03(20P/30P/40P)				20453-250T-03S(50P)	
PART NO.	Pos.	A	B	C	D	
20453-#20T-#2	20	9.50	10.30	12.56	16.00	
20453-#30T-#2	30	14.50	15.30	17.56	21.00	
20453-#40T-#2	40	19.50	20.30	22.56	26.00	
20453-#50T-#2S	50	24.50	25.30	27.56	31.00	

WITHOUT PULL-BAR



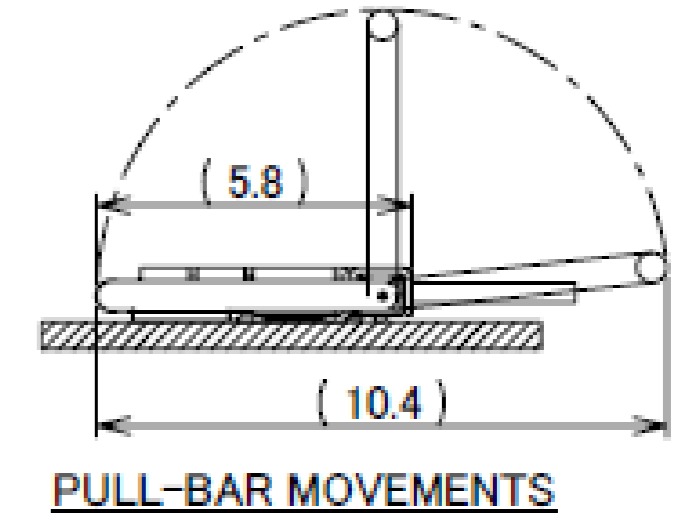
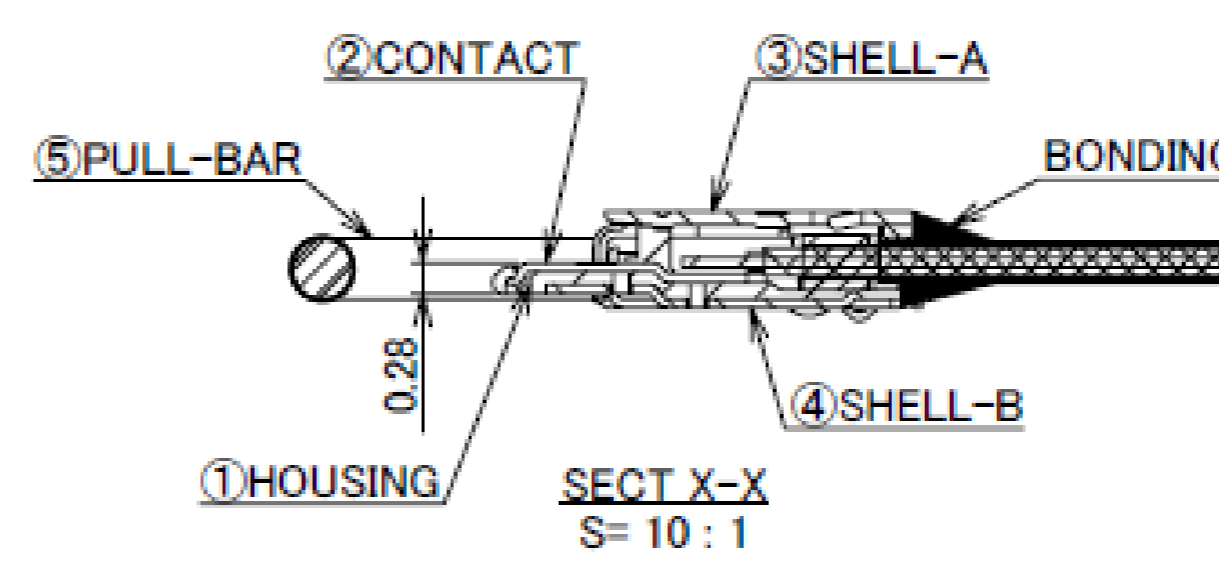
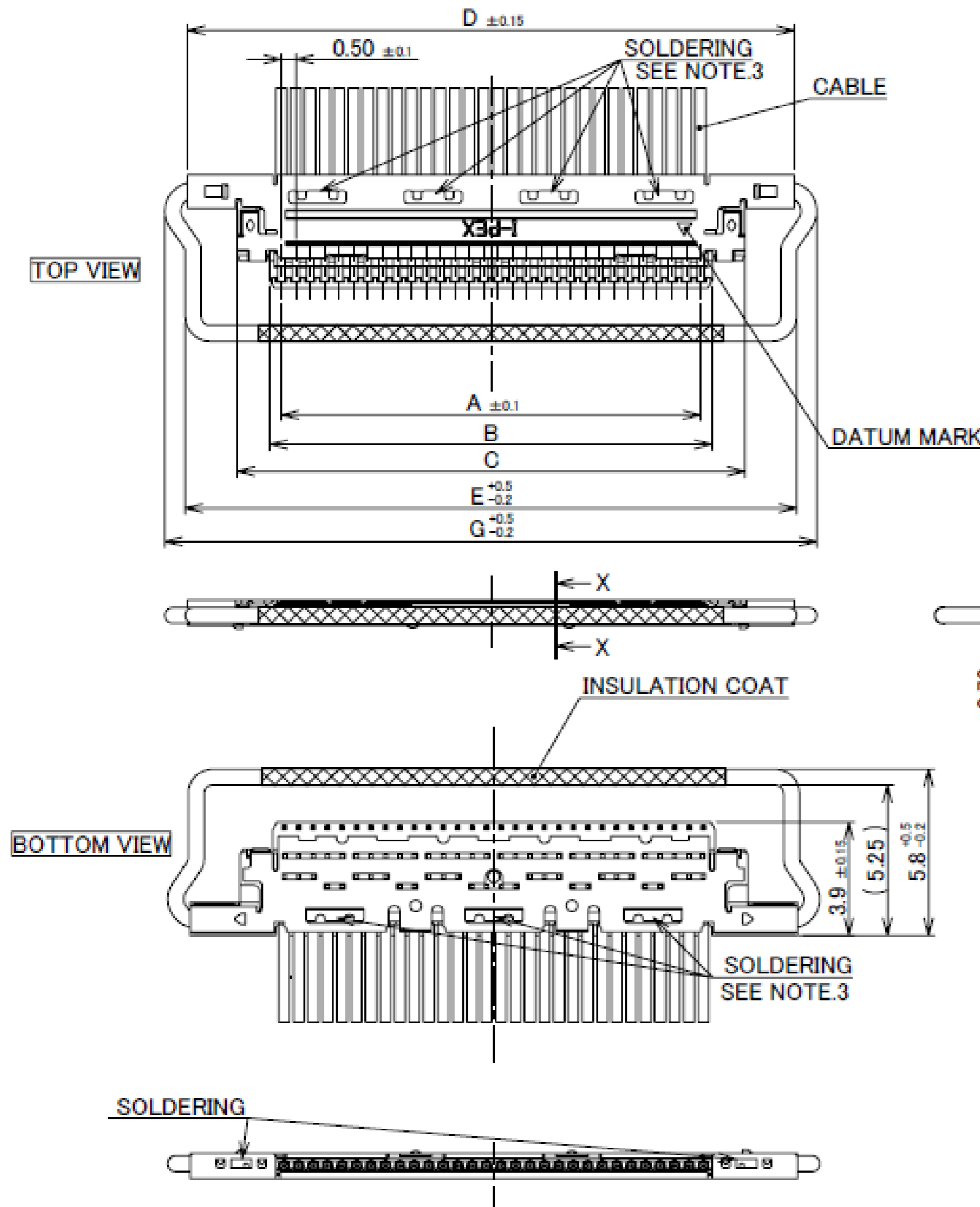
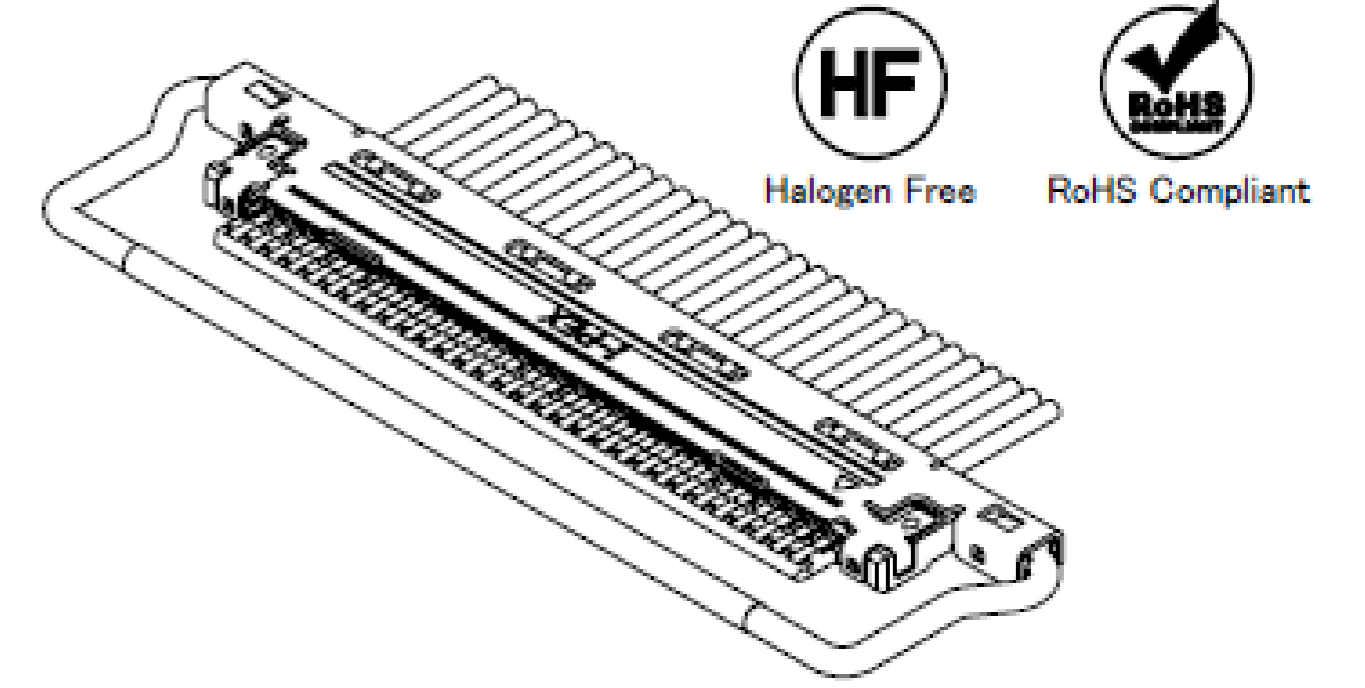
CABLE ASS'Y PART NO.	HOUSING ASS'Y PART NO.	SHELL-A PART NO.	PULL-BAR PART NO.
20453-0**T-#2#	20454-0**T-##	2574-##*	-

Rev.34

Plug for Cable Assembly

Recommended P/N		20453-2**T-03(20P/30P/40P)						20453-250T-03S(50P)	
PART NO.	Pos.	A	B	C	D	E	G		
20453-#20T-#3	20	9.50	10.30	12.56	16.00	16.15	17.55		
20453-#30T-#3	30	14.50	15.30	17.56	21.00	21.15	22.55		
20453-#40T-#3	40	19.50	20.30	22.56	26.00	26.15	27.55		
20453-#50T-#3S	50	24.50	25.30	27.56	31.00	31.15	32.55		

WITH INSULATION COAT PULL-BAR

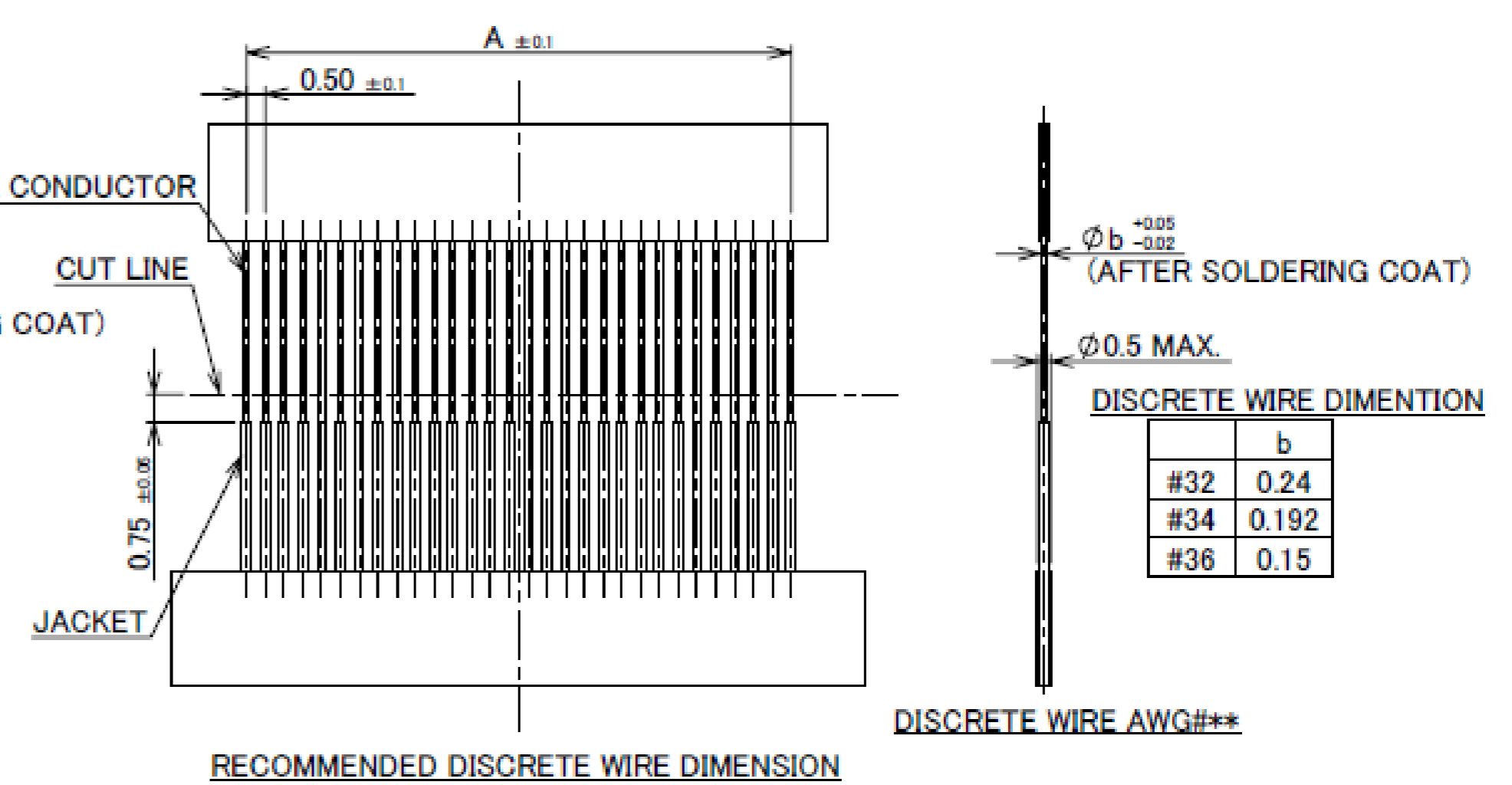
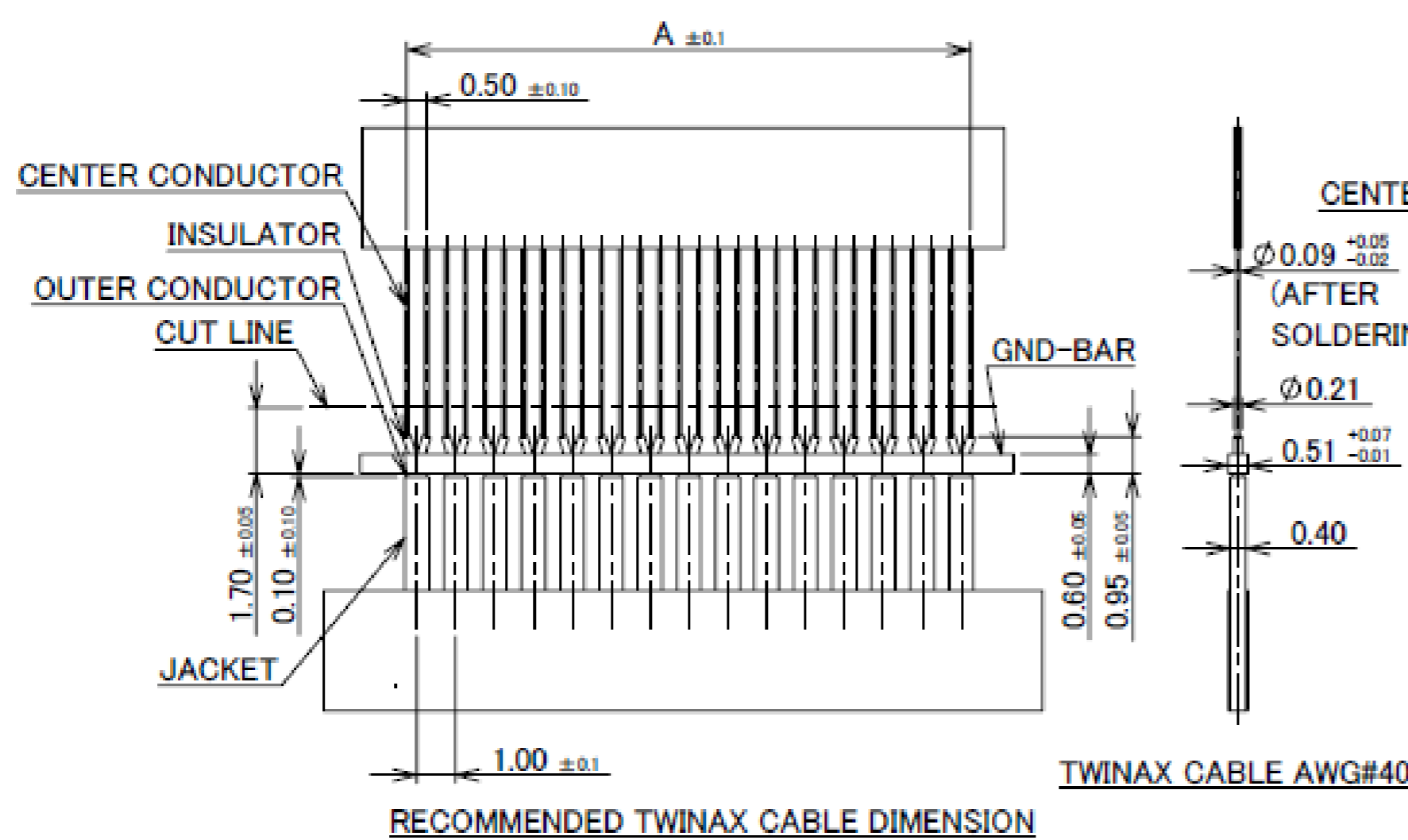
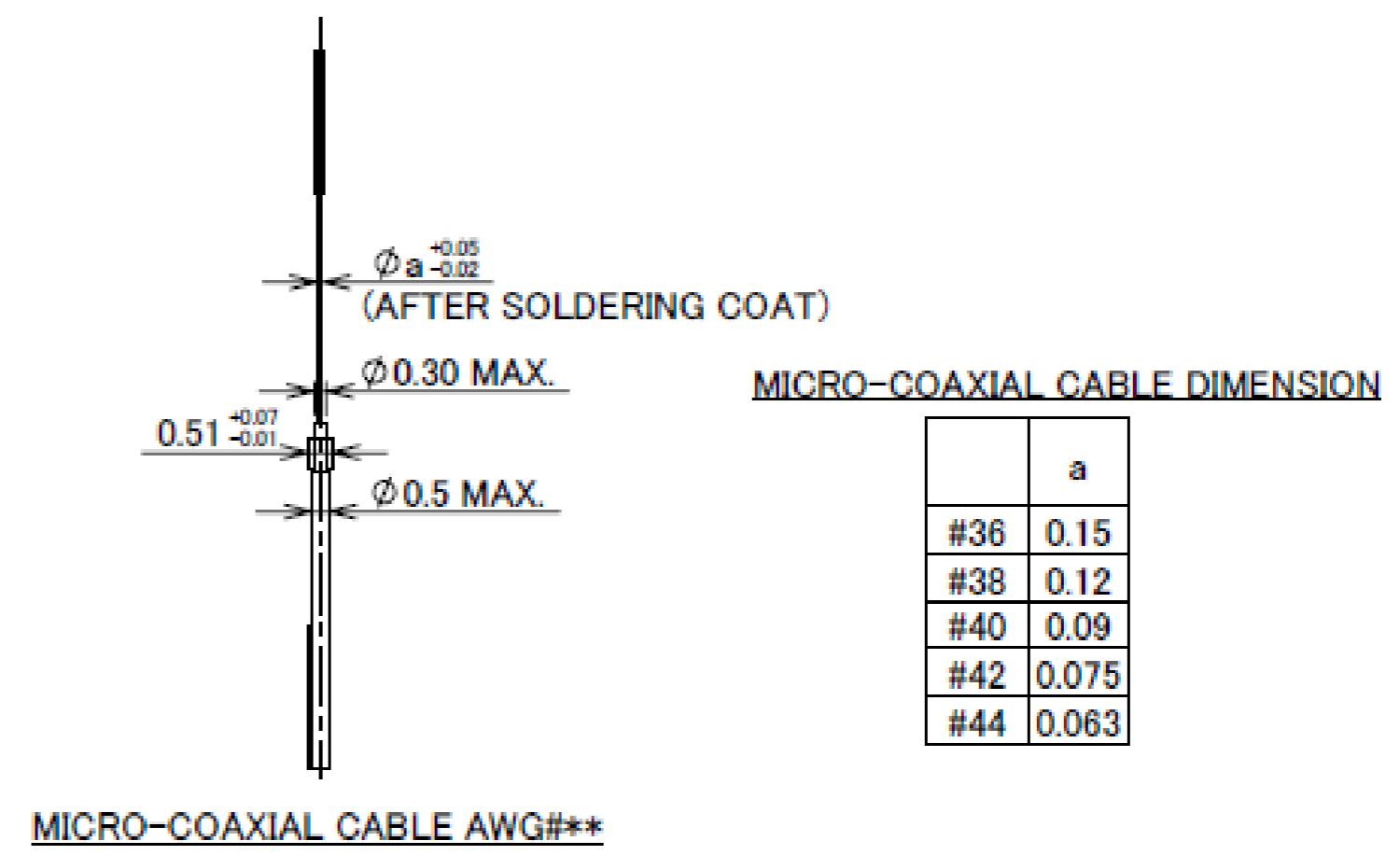
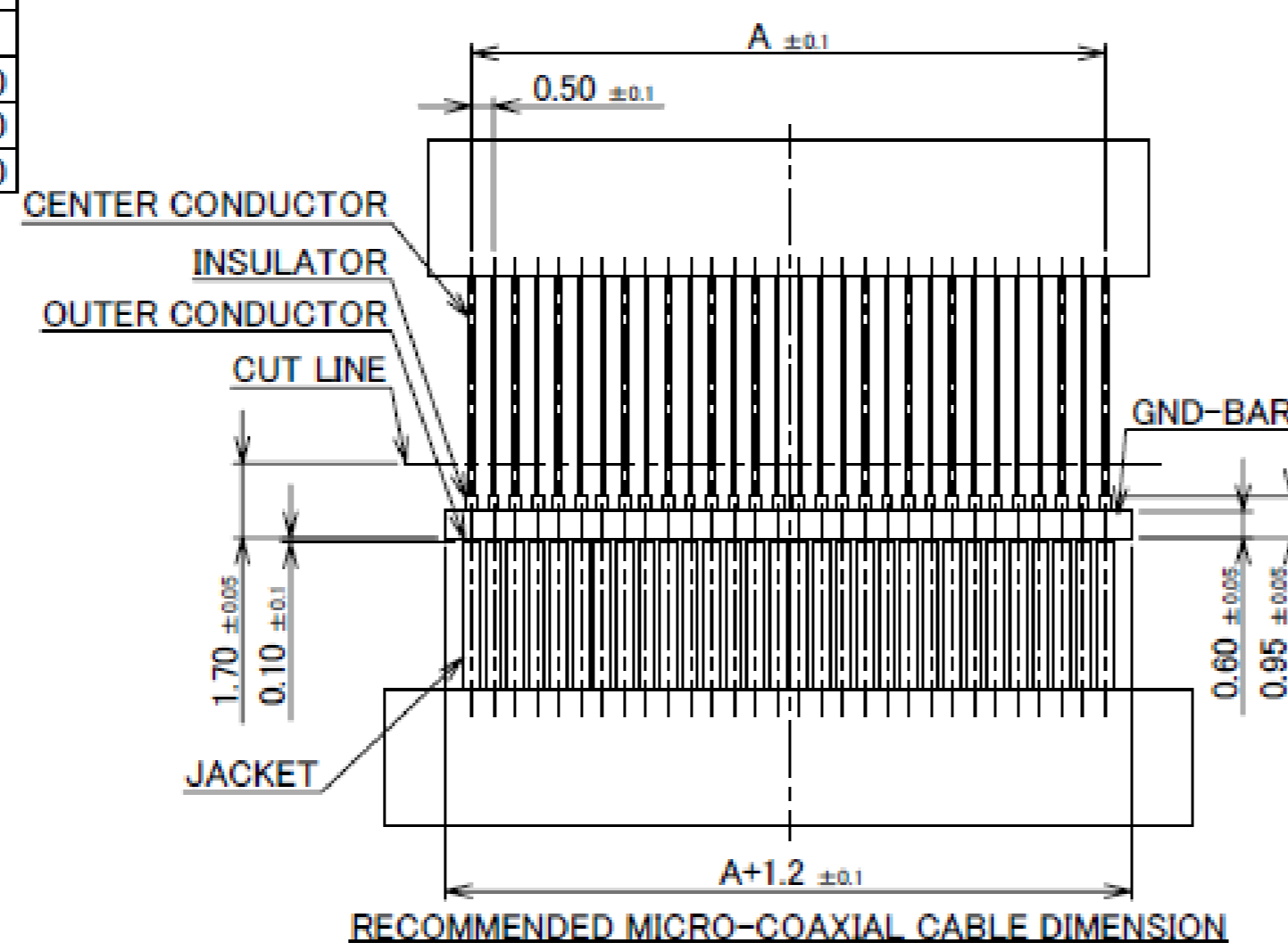


PART NO.

CABLE ASS'Y PART NO.	HOUSING ASS'Y PART NO.	SHELL-A PART NO.	PULL-BAR PART NO.
20453-0**T-#3#	20454-0**T-##	2574-##*	2576-1**-00
20453-2**T-#3#	20454-2**T-##	2574-##*2	2576-1**-00

Rev.34

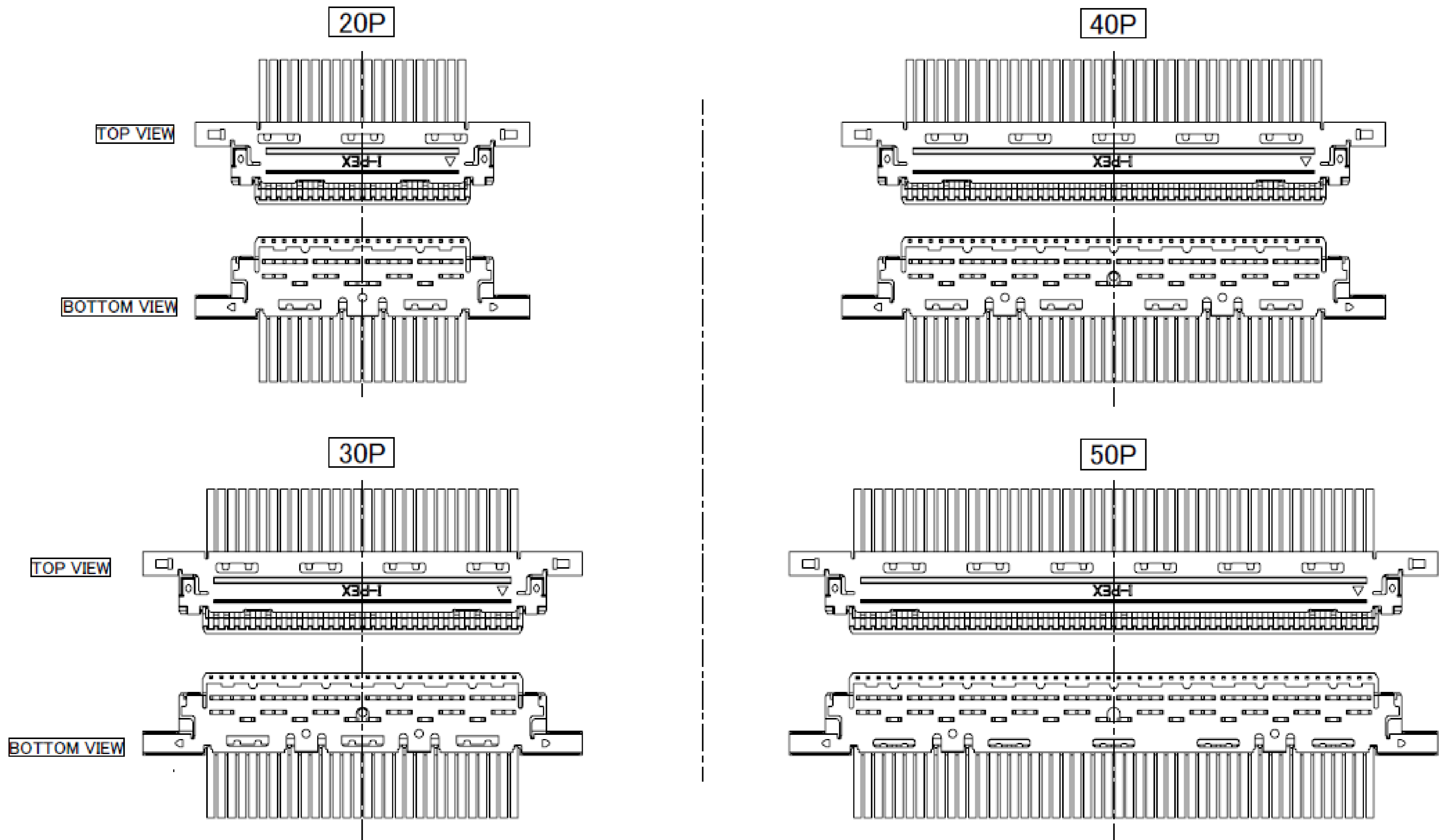
PART NO.	Pos.	A
20453-#20T-##	20	9.50
20453-#30T-##	30	14.50
20453-#40T-##	40	19.50
20453-#50T-##S	50	24.50



Rev.34

Plug for Cable Assembly

THE EXTERNAL APPEARANCE



Rev.34

Plug Housing Assembly

Recommended P/N		20454-2**T							
PART NO.	Pos.	A	B	C	D	E	F	G	H
20454-#20T	20	9.50	10.30	12.56	10.20	10.55	11.00	16.00	-
20454-#30T	30	14.50	15.30	17.56	15.20	15.55	16.00	21.00	5.40
20454-#40T	40	19.50	20.30	22.56	20.20	20.55	21.00	26.00	10.40

20454-#**T : STANDARD

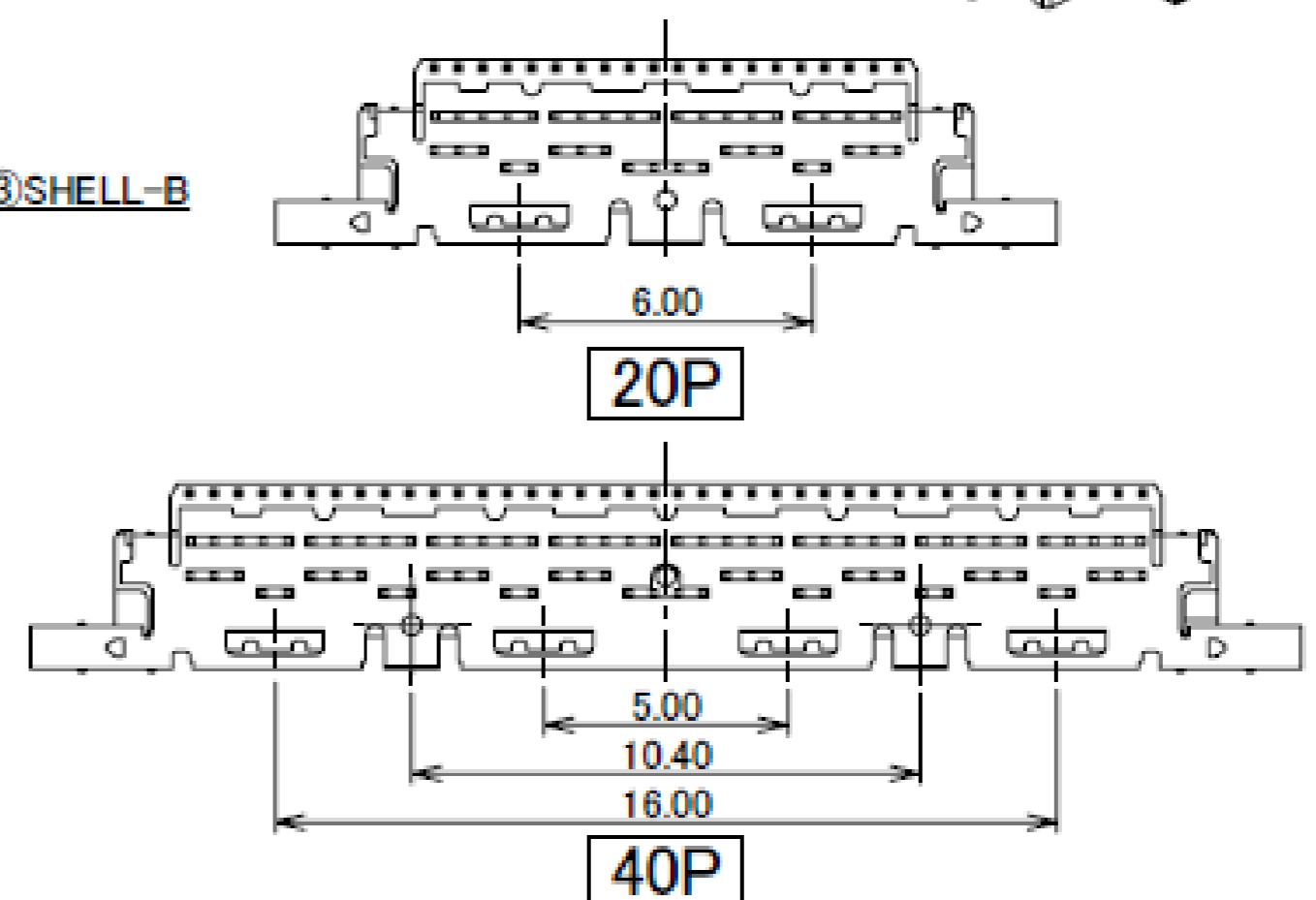
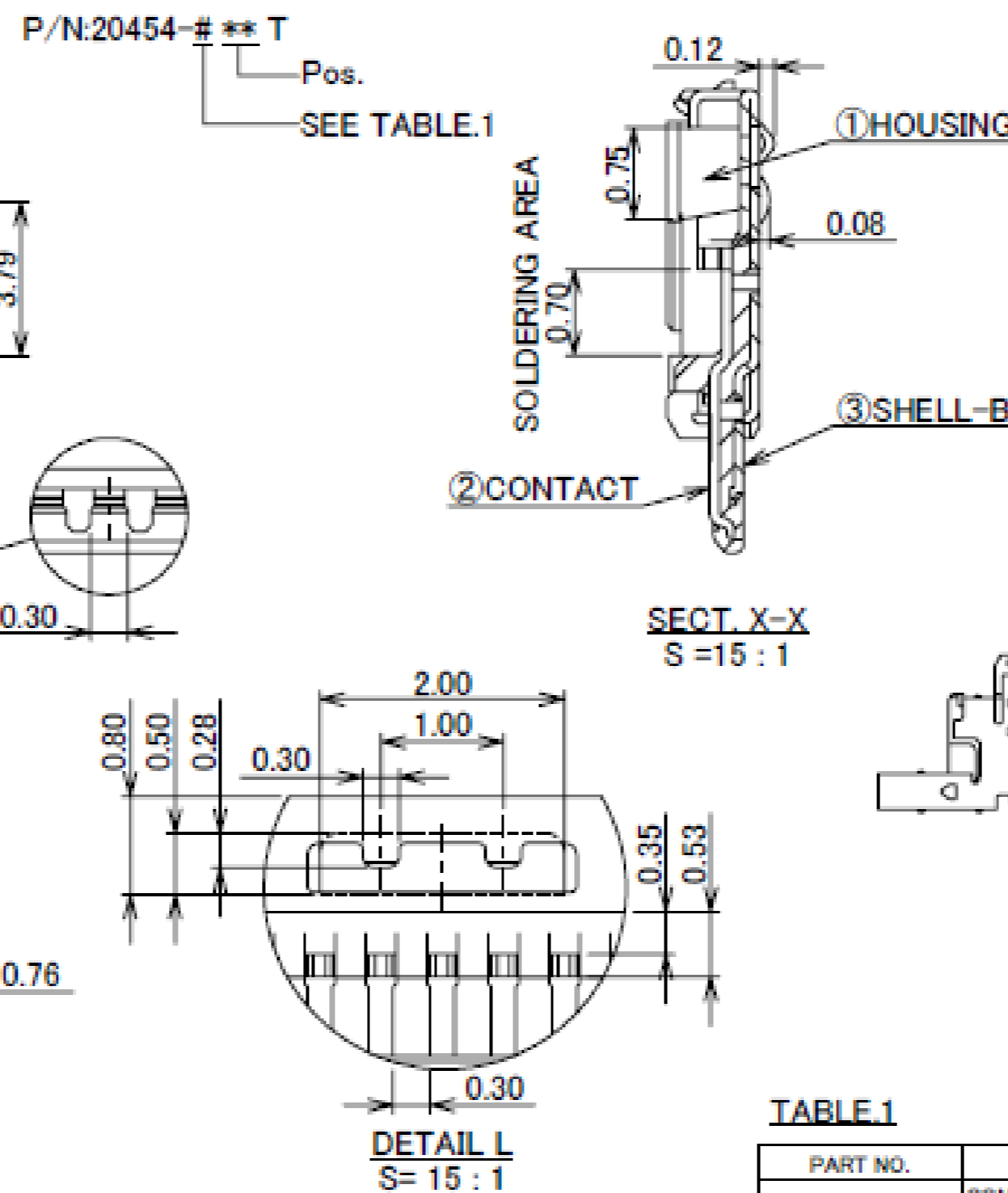
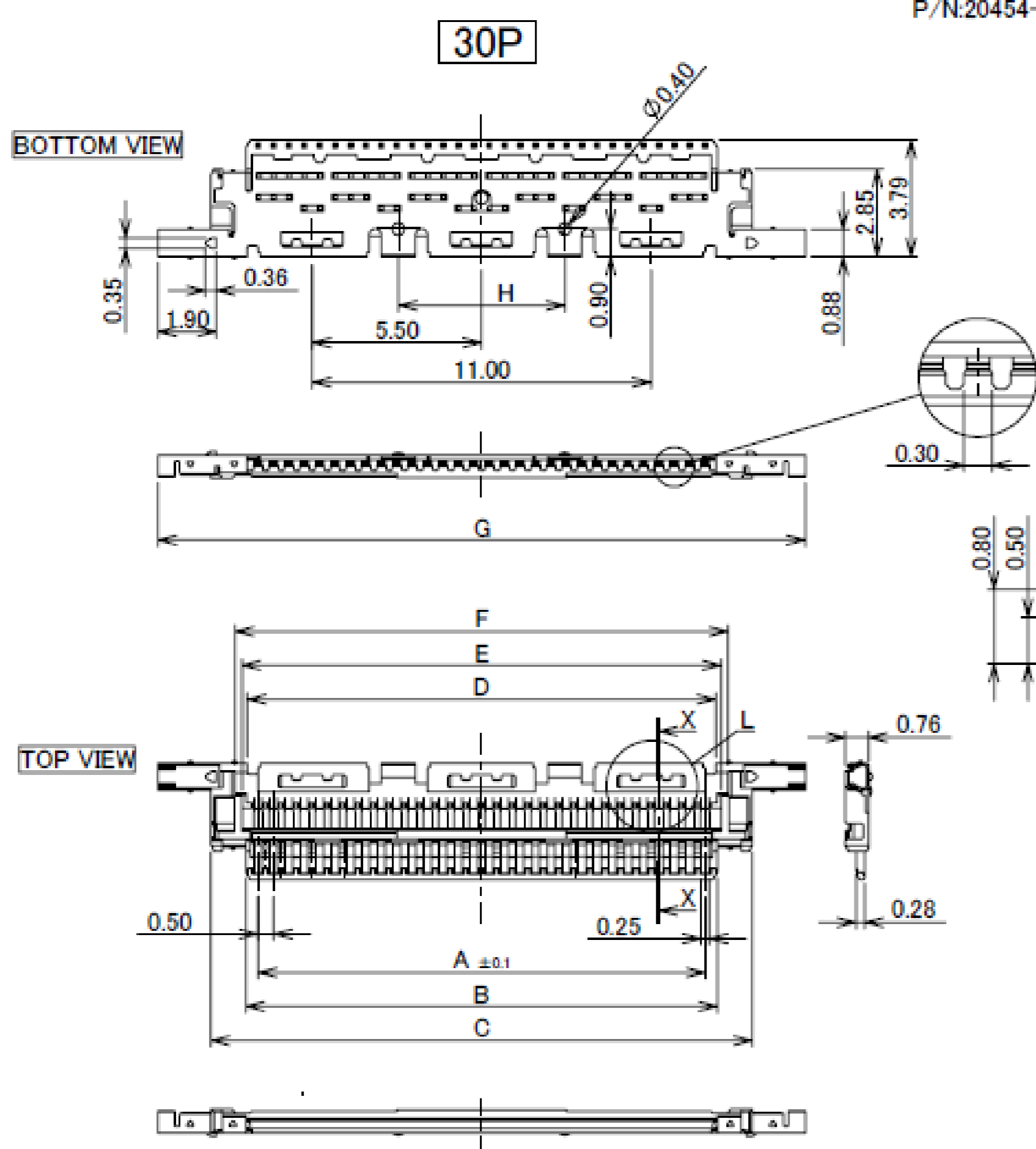


TABLE 1

PART NO.	CONTACT FINISH		SHELL-B FINISH	
	CONTACT AREA	SOLDERING AREA	TOP SIDE	BOTTOM SIDE
20454-0**T	Au 0.1 μm MIN. OVER Ni 1.00 μm MIN.	Au 0.05 μm MIN. OVER Ni 1.00 μm MIN.	Au 0.015 μm MIN. OVER Ni 1.00 μm MIN.	Au 0.05 μm MIN. OVER Ni 1.00 μm MIN.
20454-2**T	Au 0.1 μm MIN. OVER Ni 1.00 μm MIN.	Au 0.05 μm MIN. OVER Ni 1.00 μm MIN.	Ni 1.00 μm MIN. (THERE IS THE POSSIBILITY THAT Au ATTACHES RANDOMLY)	Au 0.05 μm MIN. OVER Ni 1.00 μm MIN.

NO.	DISCRIPTION	MATERIAL	FINISH , REMARKS
3	SHELL B	PHOSPHOR BRONZE	SEE ABOVE TABLE.1
2	CONTACT	PHOSPHOR BRONZE	SEE ABOVE TABLE.1
1	HOUSING	LCP	UL94V-0, BLACK

NOTES.

1. THIS PART IS ASSEMBLED WITH SHELL-A (P/N:2574-#**) AFTER SOLDERED THE CABLE, AND IT BECOMES P/N:20453-#**T-#**. THIS PART IS ASSEMBLED WITH SHELL-A type-H (P/N:2699-#40) AFTER SOLDERED THE CABLE, AND IT BECOMES P/N:20508-040T-#. THIS PART IS ASSEMBLED WITH SHELL-A (P/N:2574-#**) AND ALIGNMENT COVER (P/N:2658-0**) AFTER SOLDERED THE CABLE, AND IT BECOMES P/N:20492-1**T.

Rev.20

Plug Housing Assembly

Recommended P/N 20454-250T-01

PART NO.	Pos.
20454-#50T-01	50

20454-#50T-01 : TYPE-i

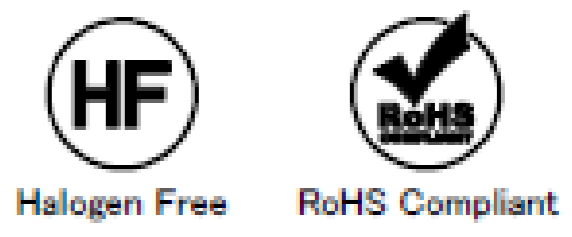
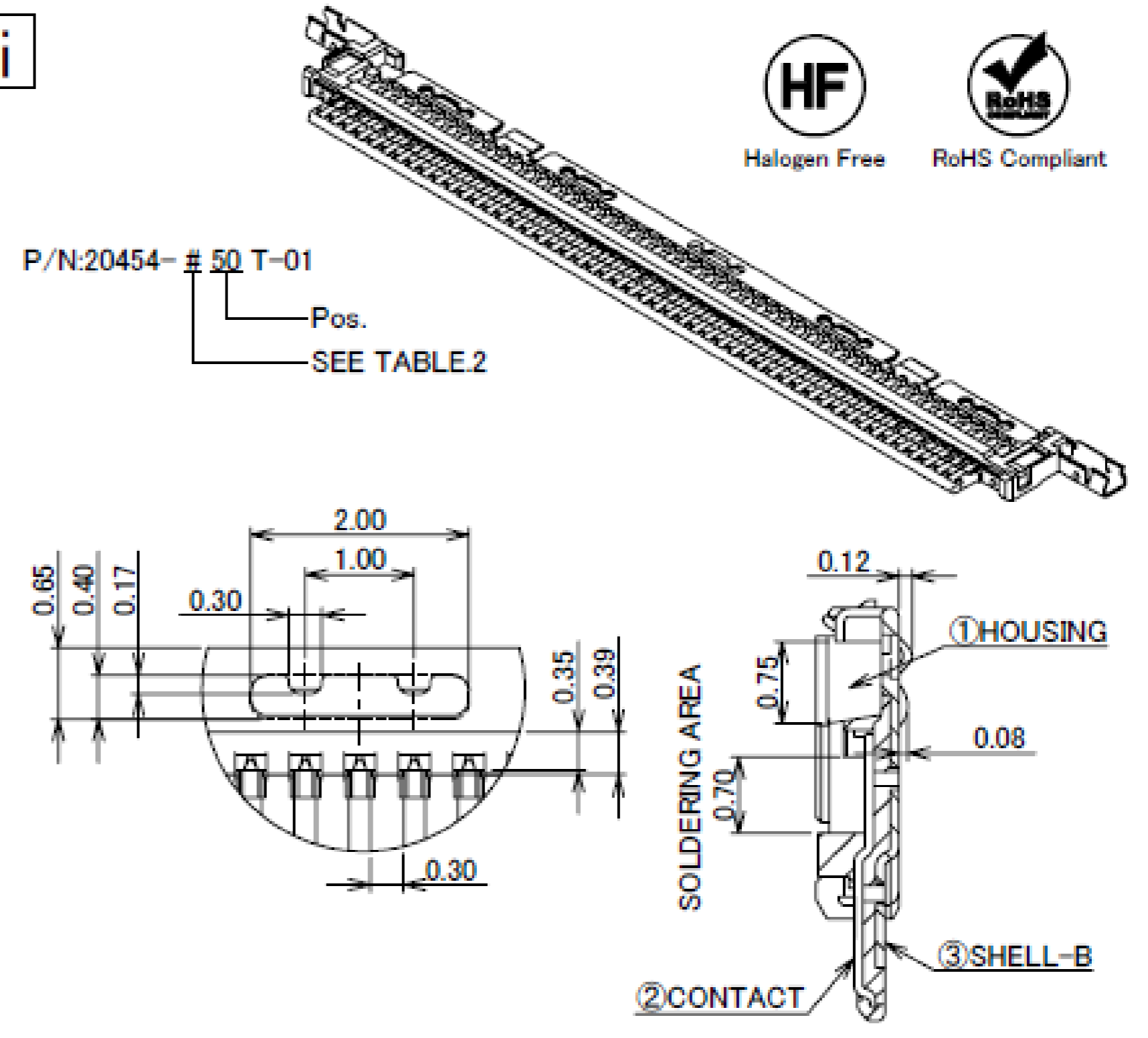
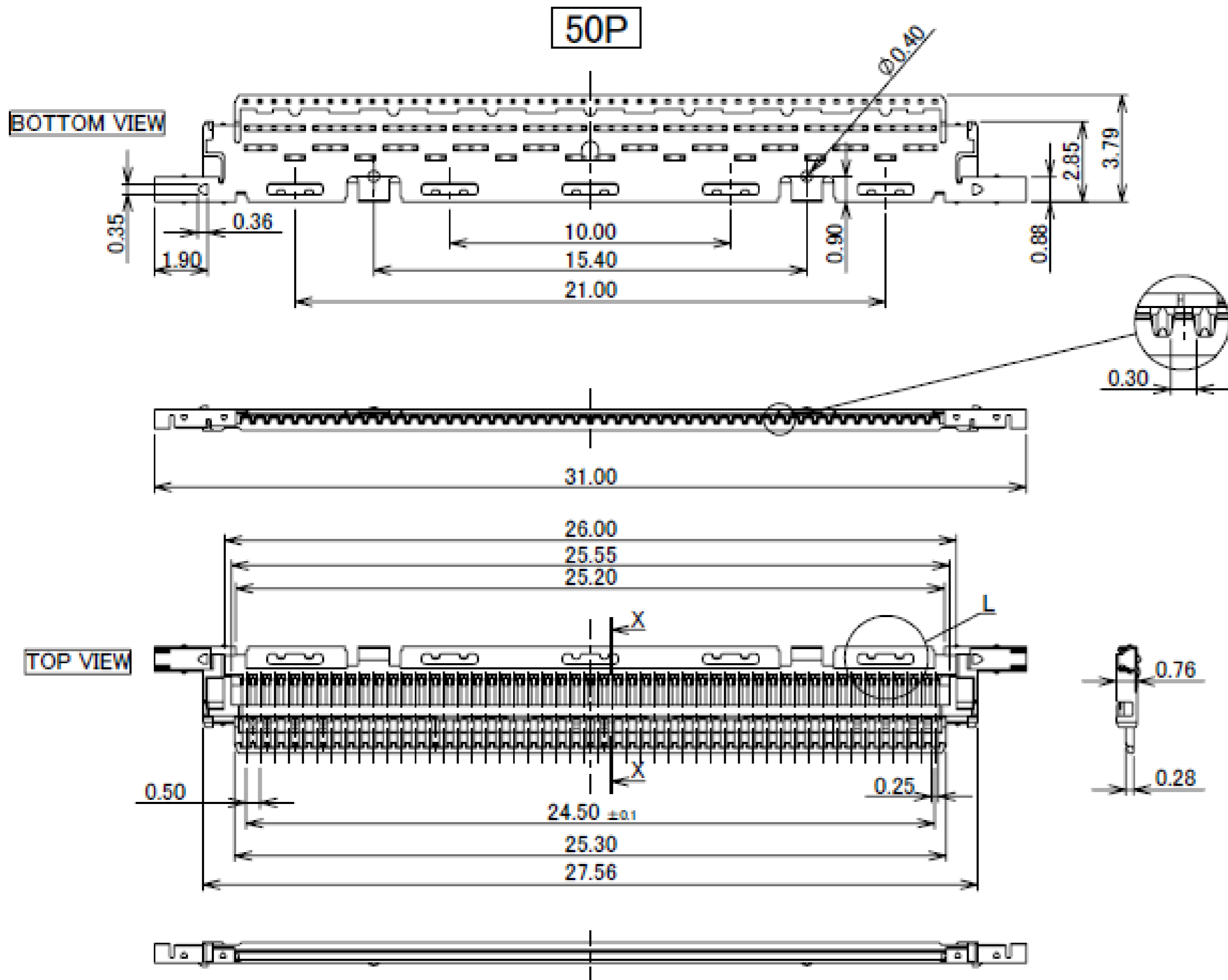


TABLE 2

PART NO.	CONTACT FINISH	SHELL-B FINISH
20454-0**T-01	CONTACT AREA : Au 0.1 μm MIN. OVER Ni 1.00 μm MIN. SOLDERING AREA : Au 0.05 μm MIN. OVER Ni 1.00 μm MIN.	TOP SIDE : Au 0.015 μm MIN. OVER Ni 1.00 μm MIN. BOTTOM SIDE : Au 0.05 μm MIN. OVER Ni 1.00 μm MIN.
20454-2**T-01	CONTACT AREA : Au 0.1 μm MIN. OVER Ni 1.00 μm MIN. SOLDERING AREA : Au 0.05 μm MIN. OVER Ni 1.00 μm MIN.	TOP SIDE : Ni 1.00 μm MIN. (THERE IS THE POSSIBILITY THAT Au ATTACHES RANDOMLY) BOTTOM SIDE : Au 0.03 μm MIN. OVER Ni 1.00 μm MIN.

NO.	DISCRIPTION	MATERIAL	FINISH , REMARKS
3	SHELL B	PHOSPHOR BRONZE	SEE ABOVE TABLE 2
2	CONTACT	PHOSPHOR BRONZE	SEE ABOVE TABLE 2
1	HOUSING	LCP	UL94V-0, BLACK

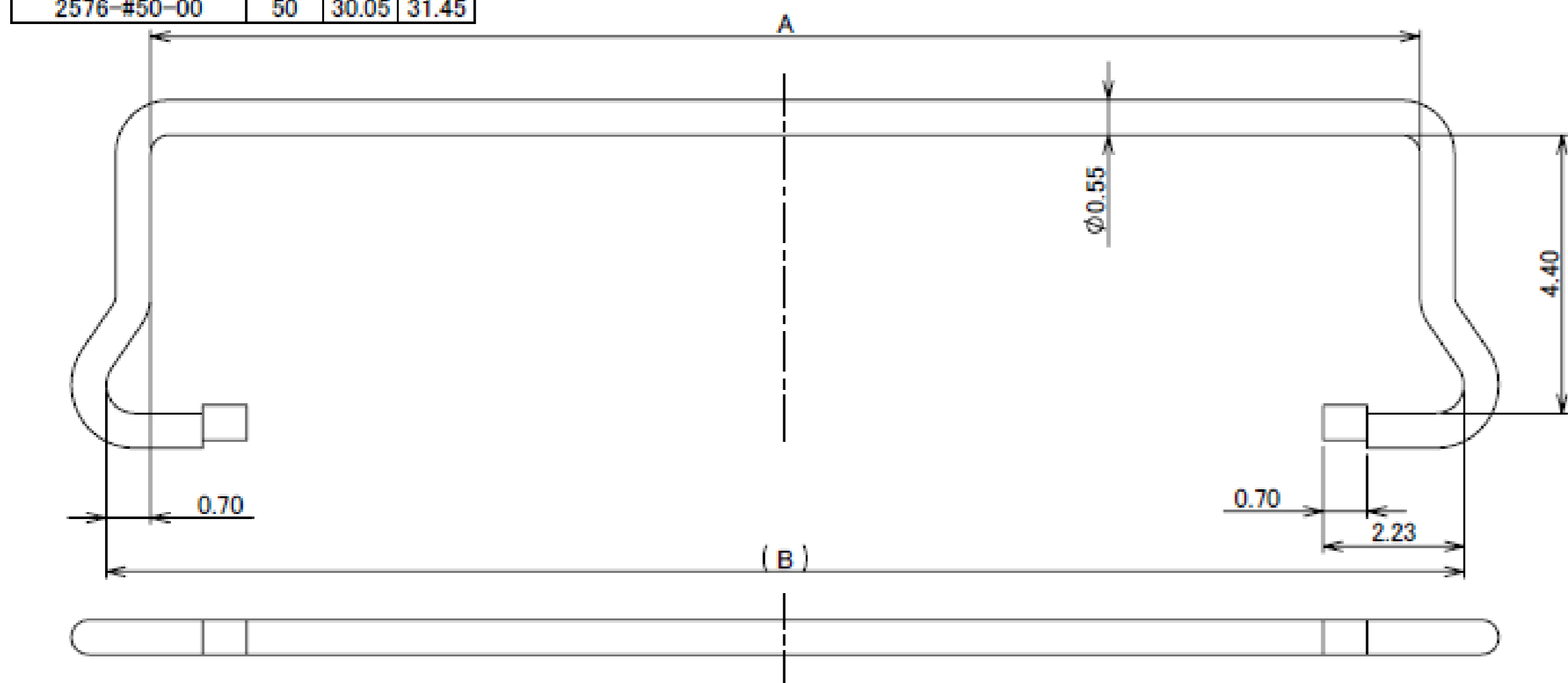
Rev.20

Pull Bar

Recommended P/N 2576-1**-00

PART NO.	Pos.	A	B
2576-#20-00	20	15.05	16.45
2576-#30-00	30	20.05	21.45
2576-#40-00	40	25.05	26.45
2576-#50-00	50	30.05	31.45

2576-0**-00



P/N: 2576-#**-00
 POS.
 0 : WITHOUT INSULATION COAT
 1 : WITH INSULATION COAT



2576-1**-00

NO.	DISCRIPTION	MATERIAL	FINISH , REMARKS
1	PULL BAR	SUS	-

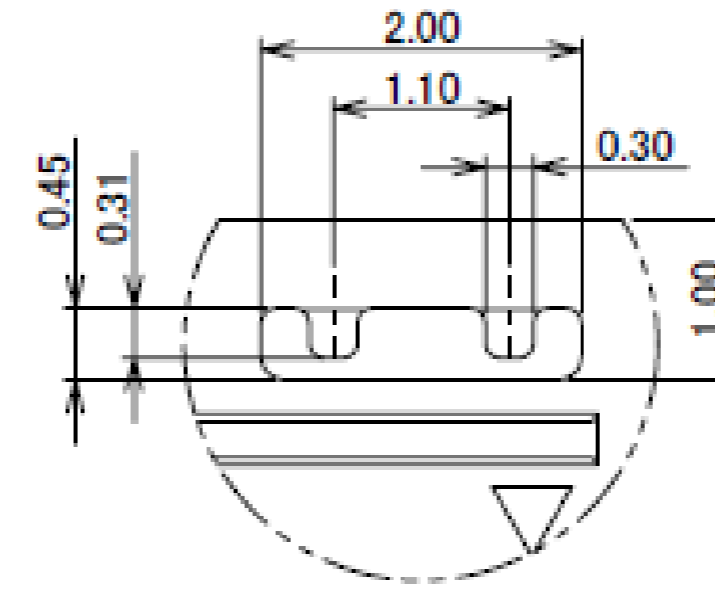
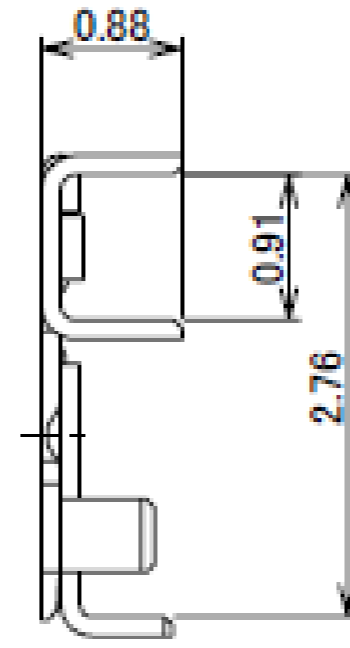
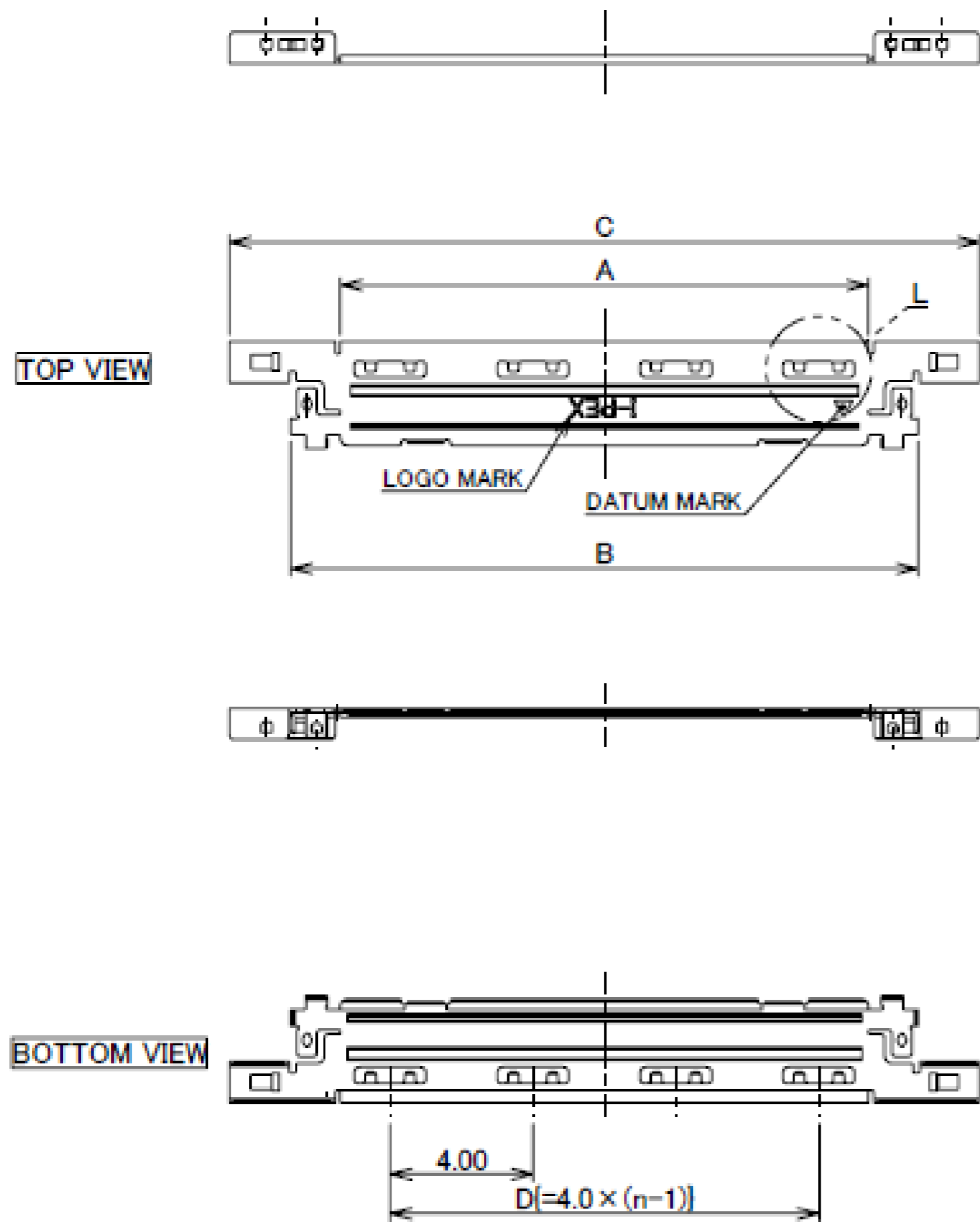
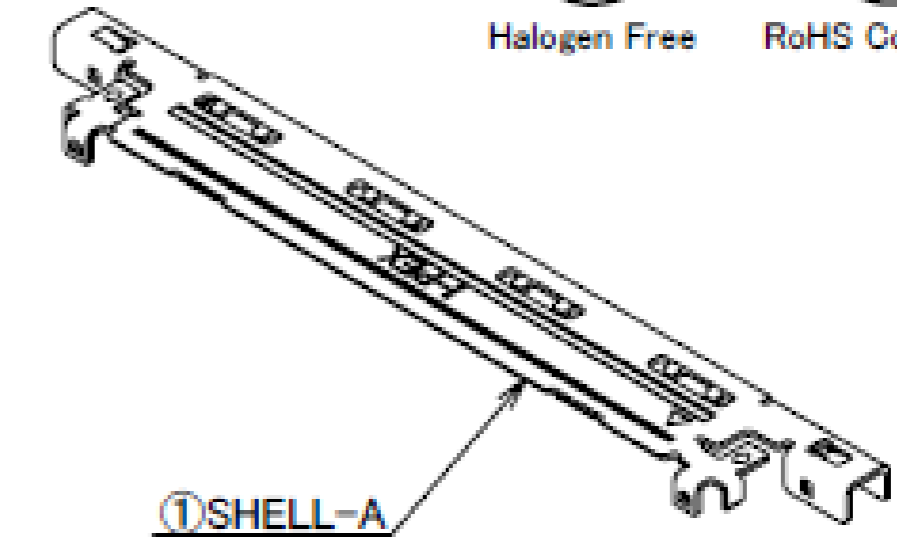
Rev.15

Shell-A

Recommended P/N		2574-0**2			
PART NO.	Pos.	A	B	C	D
2574-#20#	20	9.78	12.56	16.00	8.00 [= 4.0 × (3-1)]
2574-#30#	30	14.78	17.56	21.00	12.00 [= 4.0 × (4-1)]
2574-#40#	40	19.78	22.56	26.00	16.00 [= 4.0 × (5-1)]
2574-#50#	50	24.78	27.56	31.00	20.00 [= 4.0 × (6-1)]



P/N:2574-#**#
 SEE TABLE.1
 Pos.
 0 : WITH DATUM MARK
 1 : WITHOUT DATUM MARK



DETAIL L
S= 15 : 1

TABLE.1

PART NO.	SHELL-A FINISH
2574-***	TOP SIDE : Au 0.05 μm MIN. OVER Ni 1.00 μm MIN. BOTTOM SIDE : Au 0.015 μm MIN. OVER Ni 1.00 μm MIN.
2574-***2	TOP SIDE : Au 0.03 μm MIN. OVER Ni 1.00 μm MIN. BOTTOM SIDE : Ni 1.00 μm MIN. (THERE IS THE POSSIBILITY THAT Au ATTACHES RANDOMLY)

NO.	DISCRIPTION	MATERIAL	FINISH , REMARKS
1	SHELL A	PHOSPHOR BRONZE	SEE ABOVE TABLE.1

Rev.15

Receptacle Assembly

Recommended P/N		20455-0**E-76 (30P/40P/50P)					20455-A20E-76 (20P)	
PART NO.	Pos.	A	B	C	D	U		
20455-020E-#2	20	9.50	11.30	16.25	14.47	10.20		
20455-030E-##	30	14.50	16.30	21.25	19.47	15.20		
20455-040E-##	40	19.50	21.30	26.25	24.47	20.20		
20455-050E-##	50	24.50	26.30	31.25	29.47	25.20		

P/N:20455-0**E-##
 SEE TABLE.1
 Pos.

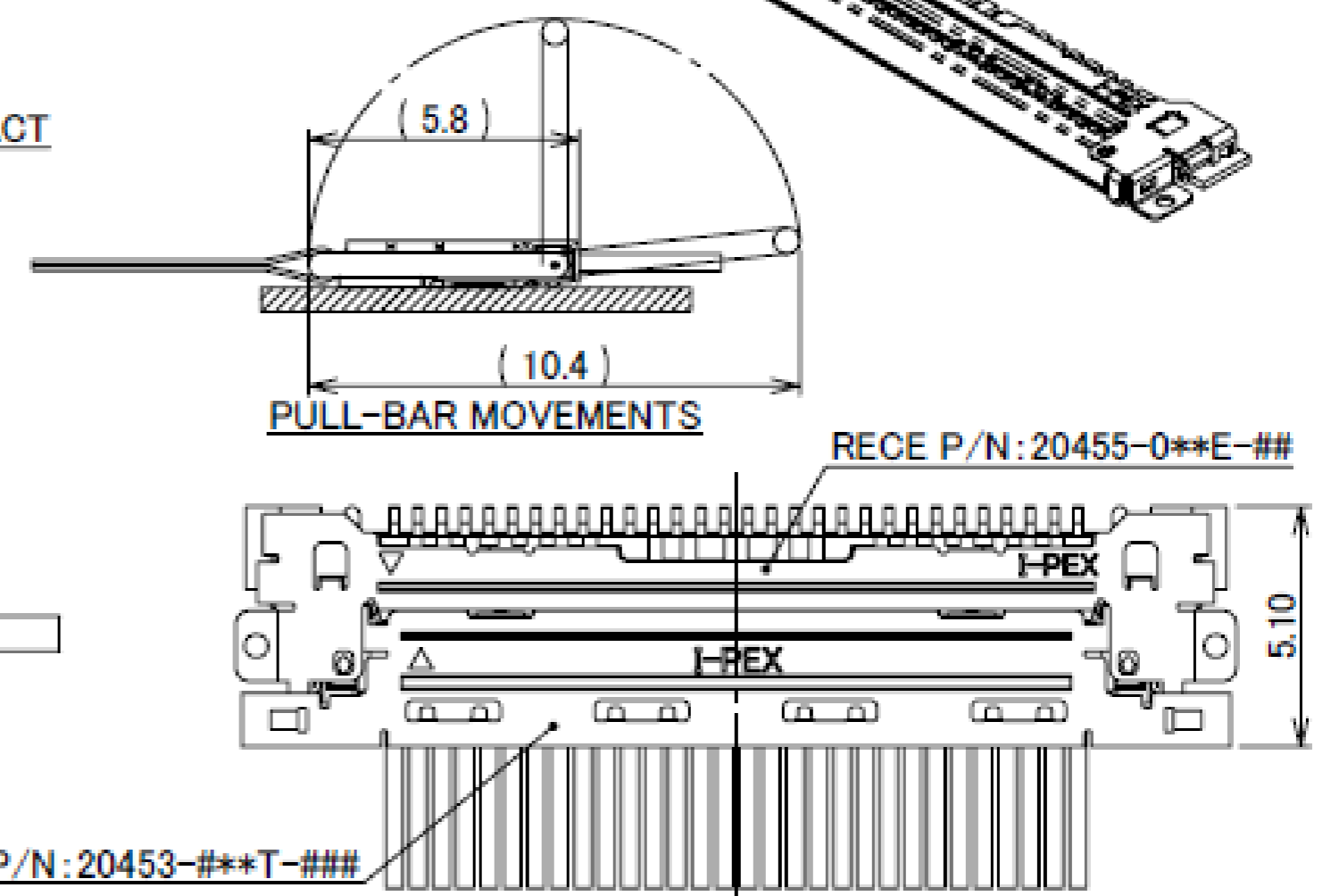
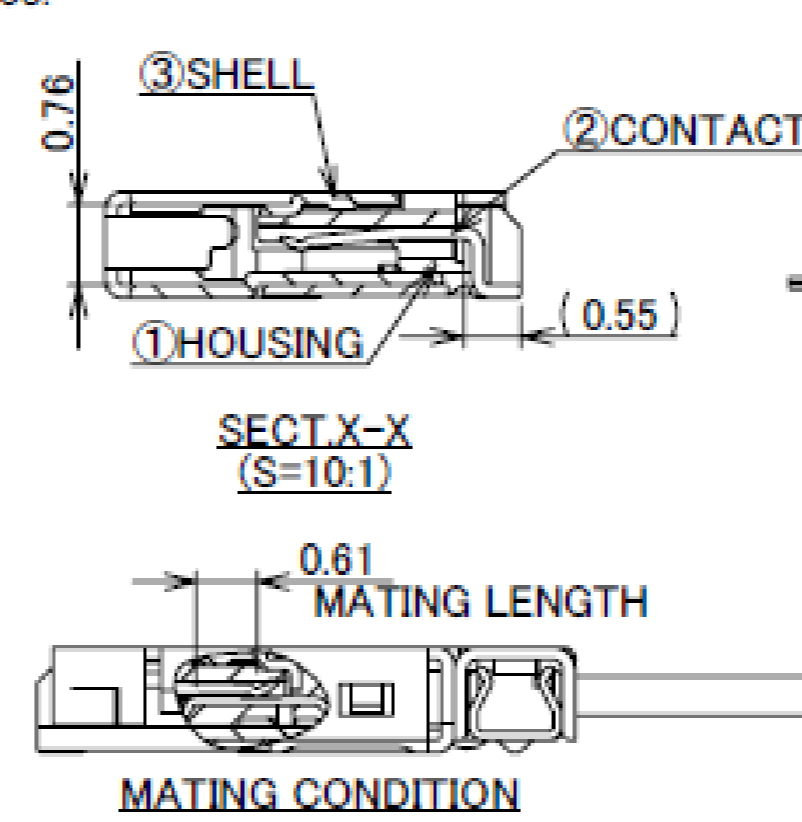
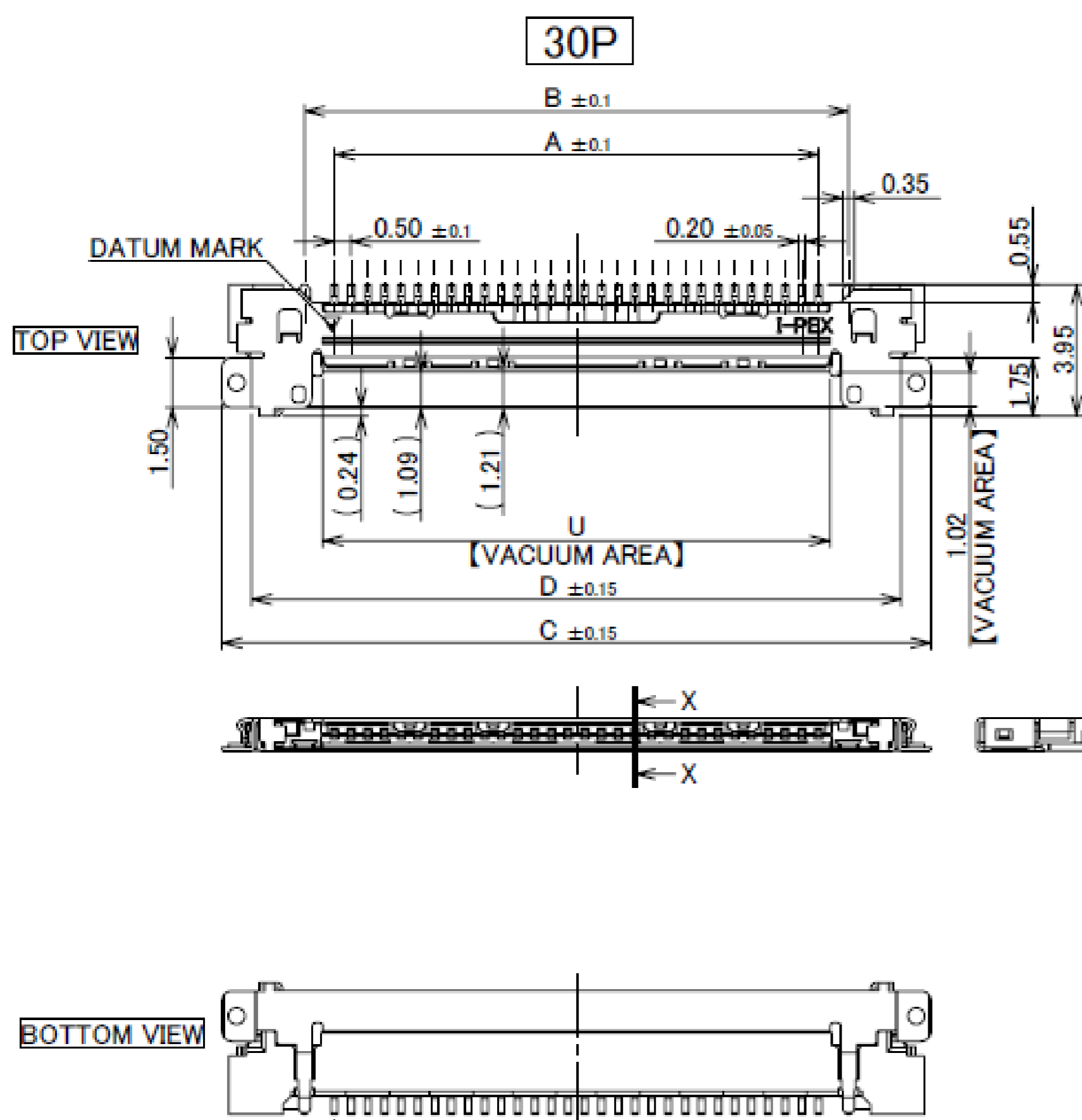


TABLE.1

PART NO.	DATUM MARK	CONTACT FINISH	SHELL FINISH
20455-0**E-02	WITH	CONTACT AREA Au 0.1 μm MIN. OVER Ni 1.00 μm MIN. SOLDERING AREA Au 0.05 μm MIN. OVER Ni 1.00 μm MIN.	Au 0.02 μm MIN. OVER Ni 1.00 μm MIN.
20455-0**E-66	WITH	CONTACT AREA Au 0.1 μm MIN. OVER Ni 1.00 μm MIN. SOLDERING AREA Au 0.05 μm MIN. OVER Ni 1.00 μm MIN.	Au 0.01 μm MIN. OVER Ni 1.00 μm MIN.
20455-0**E-76	WITHOUT	CONTACT AREA Au 0.1 μm MIN. OVER Ni 1.00 μm MIN. SOLDERING AREA Au 0.05 μm MIN. OVER Ni 1.00 μm MIN.	

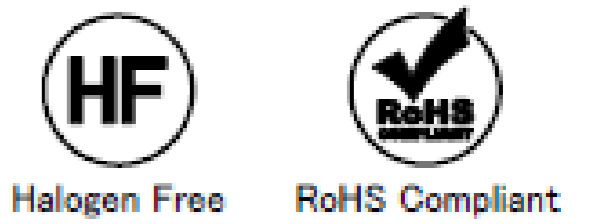
NO.	DISCRIPTION	MATERIAL	FINISH , REMARKS
3	SHELL	PHOSPHOR BRONZE	SEE ABOVE TABLE.1
2	CONTACT	PHOSPHOR BRONZE	SEE ABOVE TABLE.1
1	HOUSING	LCP	UL94V-0, BLACK

Rev.31

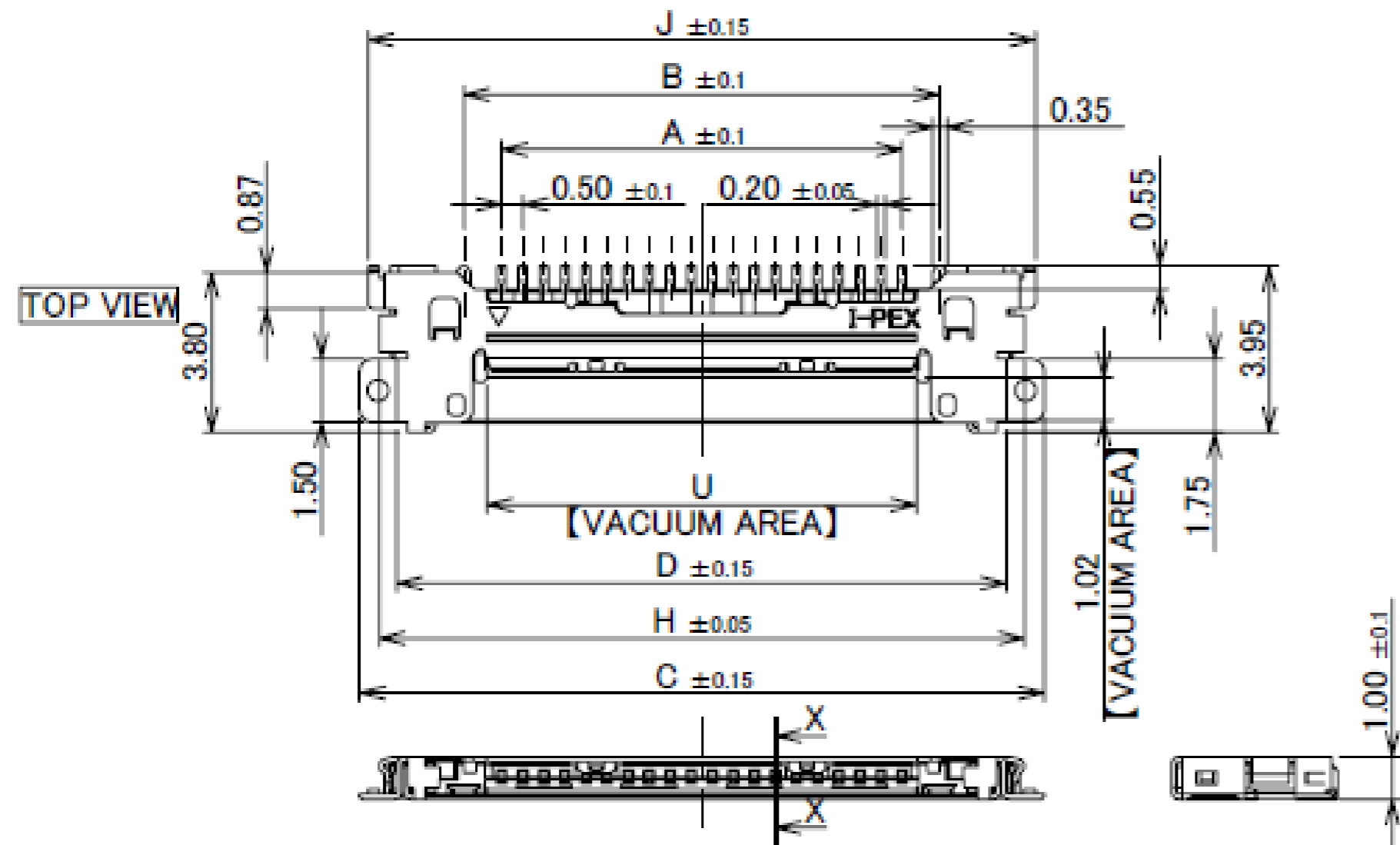
Receptacle Assembly

Recommended P/N	20455-0**E-76 (30P/40P/50P)								20455-A20E-76 (20P)	
PART NO.	Pos.	A	B	C	D	H	J	U		
20455-A20E-##	20	9.50	11.30	16.25	14.47	15.32	15.84	10.20		

P/N:20455-A20E-##
A: TYPE-A
SEE TABLE.2



TYPE-A



BOTTOM VIEW

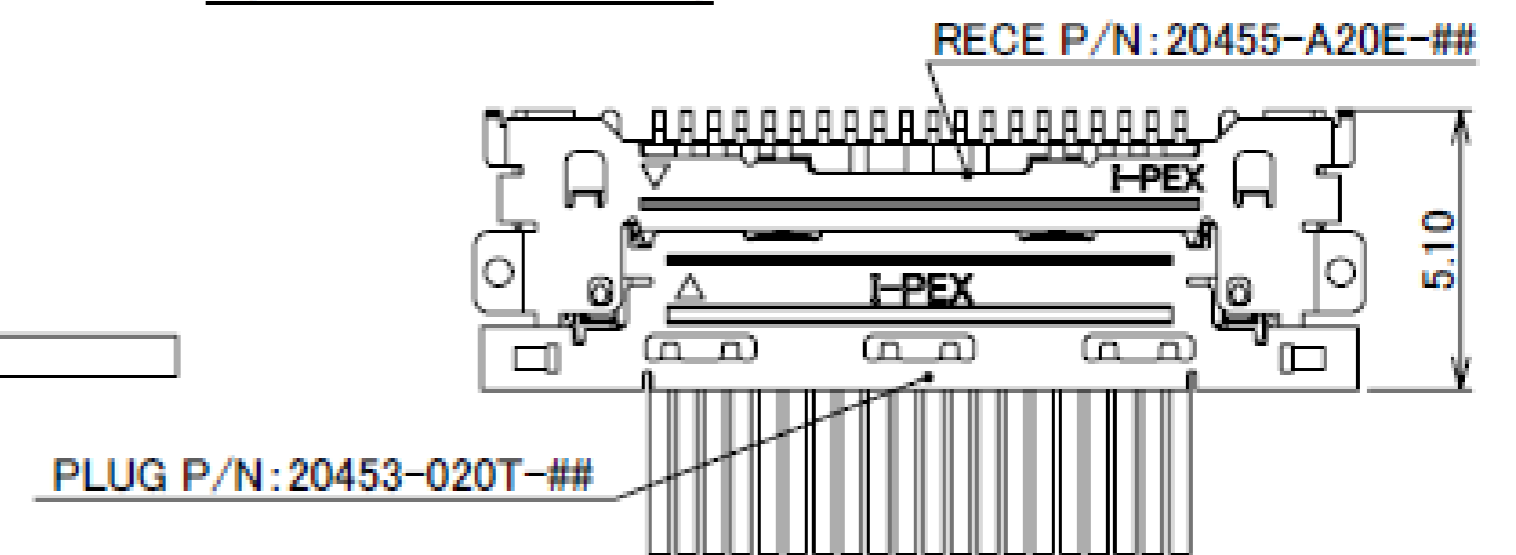
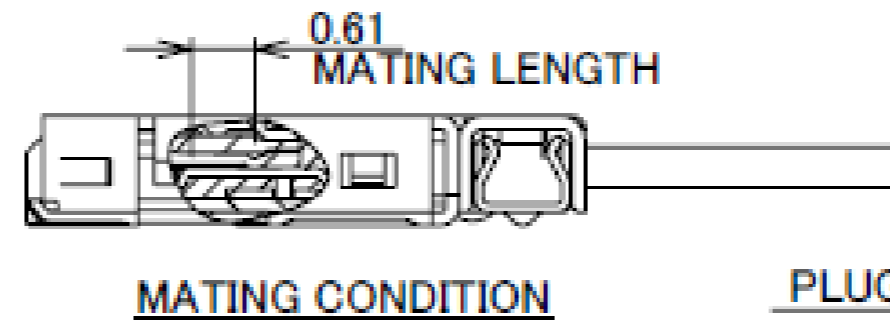
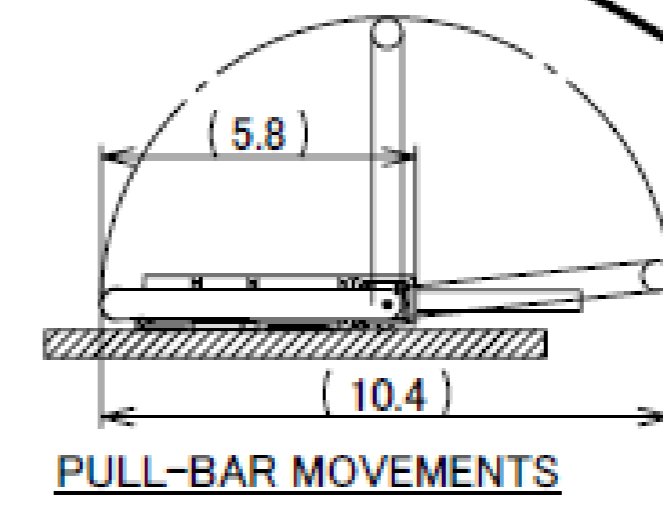
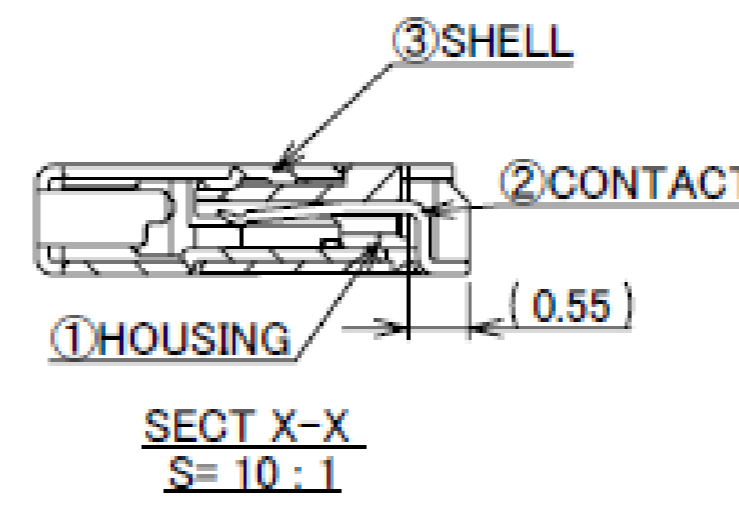
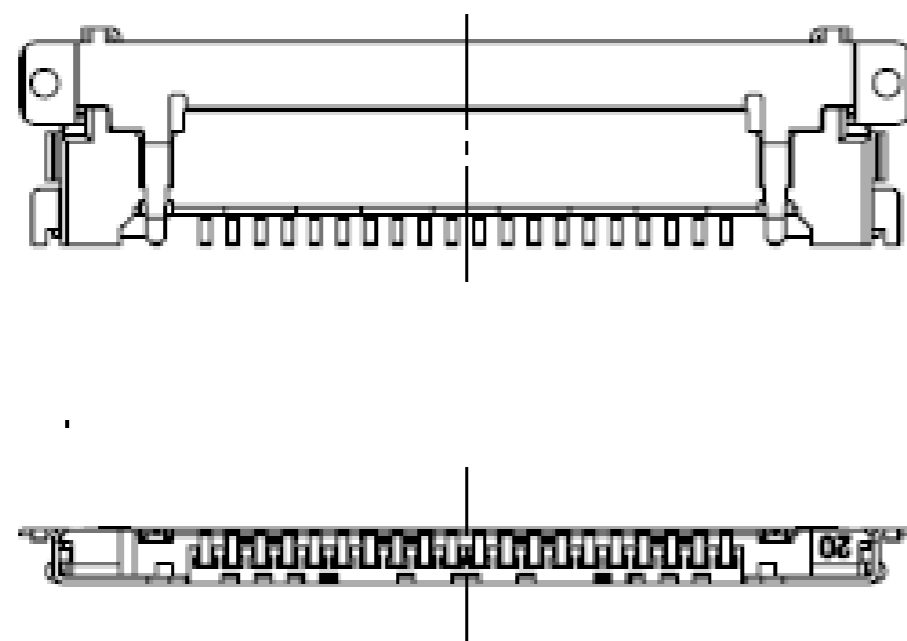


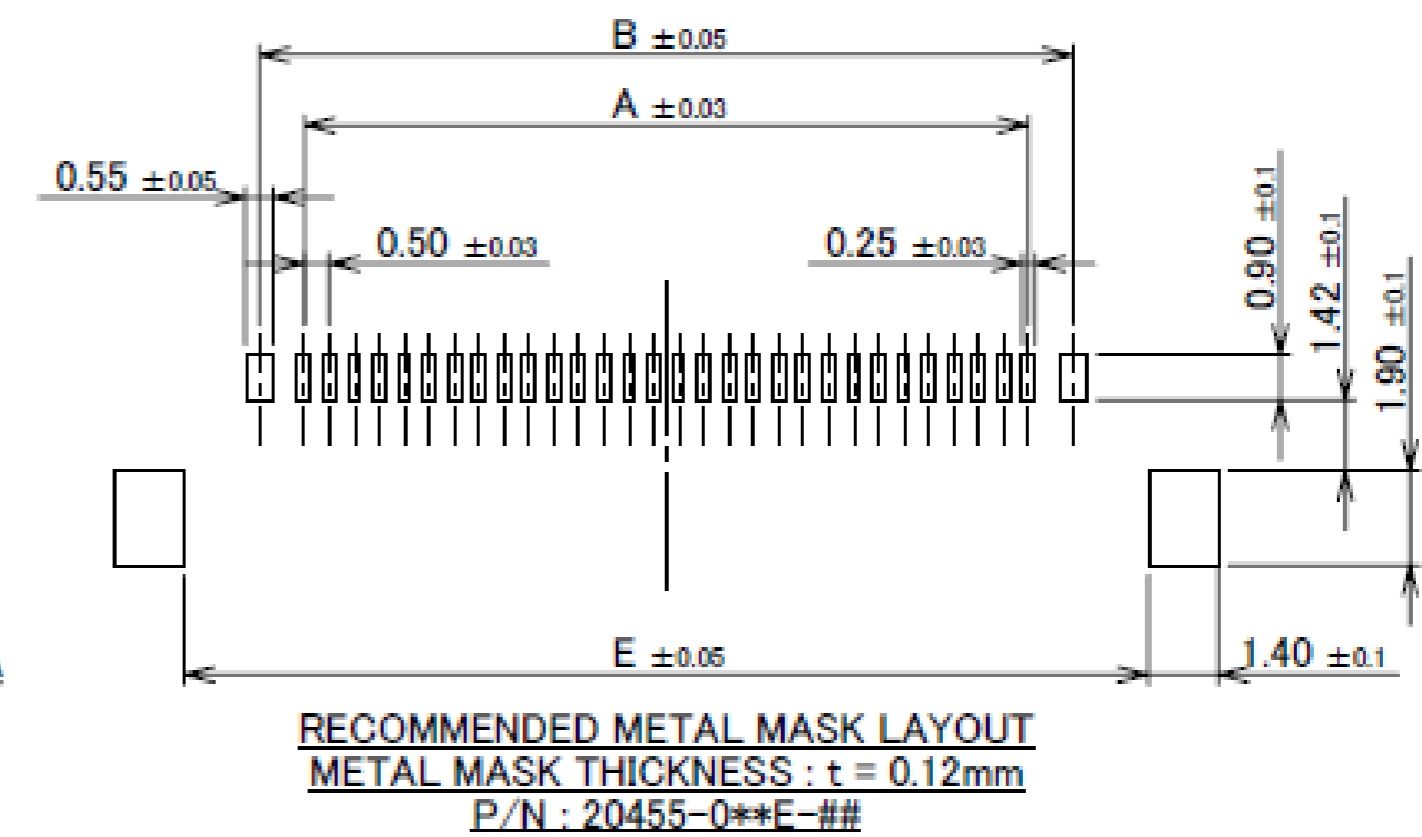
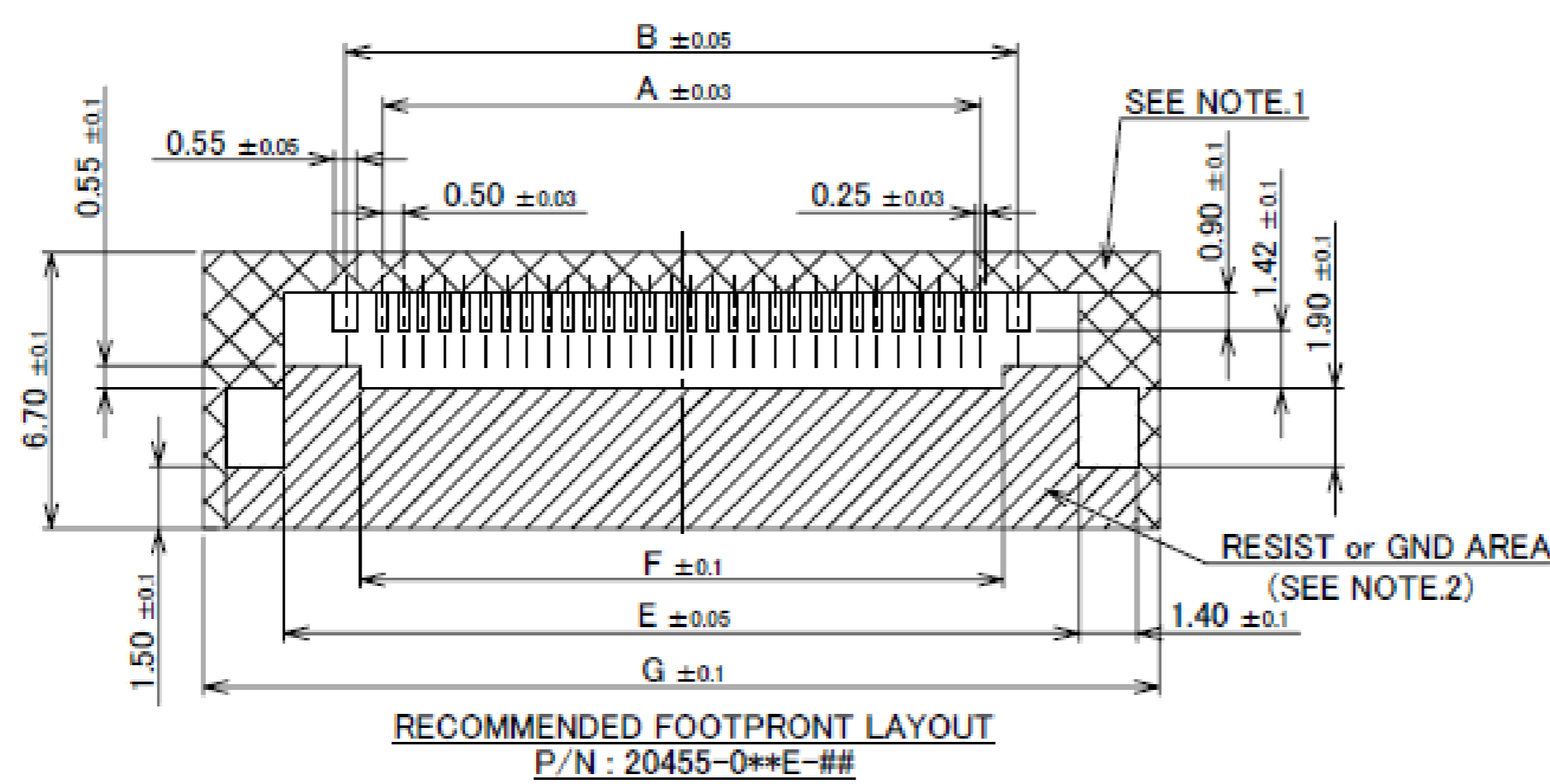
TABLE.2

PART NO.	DATUM MARK	CONTACT FINISH	SHELL FINISH
20455-A20E-02	WITH	CONTACT AREA Au 0.1 μm MIN. OVER Ni 1.00 μm MIN. SOLDERING AREA Au 0.05 μm MIN. OVER Ni 1.00 μm MIN.	Au 0.02 μm MIN. OVER Ni 1.00 μm MIN.
20455-A20E-12	WITHOUT	CONTACT AREA Au 0.1 μm MIN. OVER Ni 1.00 μm MIN. SOLDERING AREA Au 0.05 μm MIN. OVER Ni 1.00 μm MIN.	Au 0.01 μm MIN. OVER Ni 1.00 μm MIN.
20455-A20E-66	WITH	CONTACT AREA Au 0.1 μm MIN. OVER Ni 1.00 μm MIN. SOLDERING AREA Au 0.05 μm MIN. OVER Ni 1.00 μm MIN.	Au 0.01 μm MIN. OVER Ni 1.00 μm MIN.
20455-A20E-76	WITHOUT	CONTACT AREA Au 0.1 μm MIN. OVER Ni 1.00 μm MIN. SOLDERING AREA Au 0.05 μm MIN. OVER Ni 1.00 μm MIN.	Au 0.01 μm MIN. OVER Ni 1.00 μm MIN.

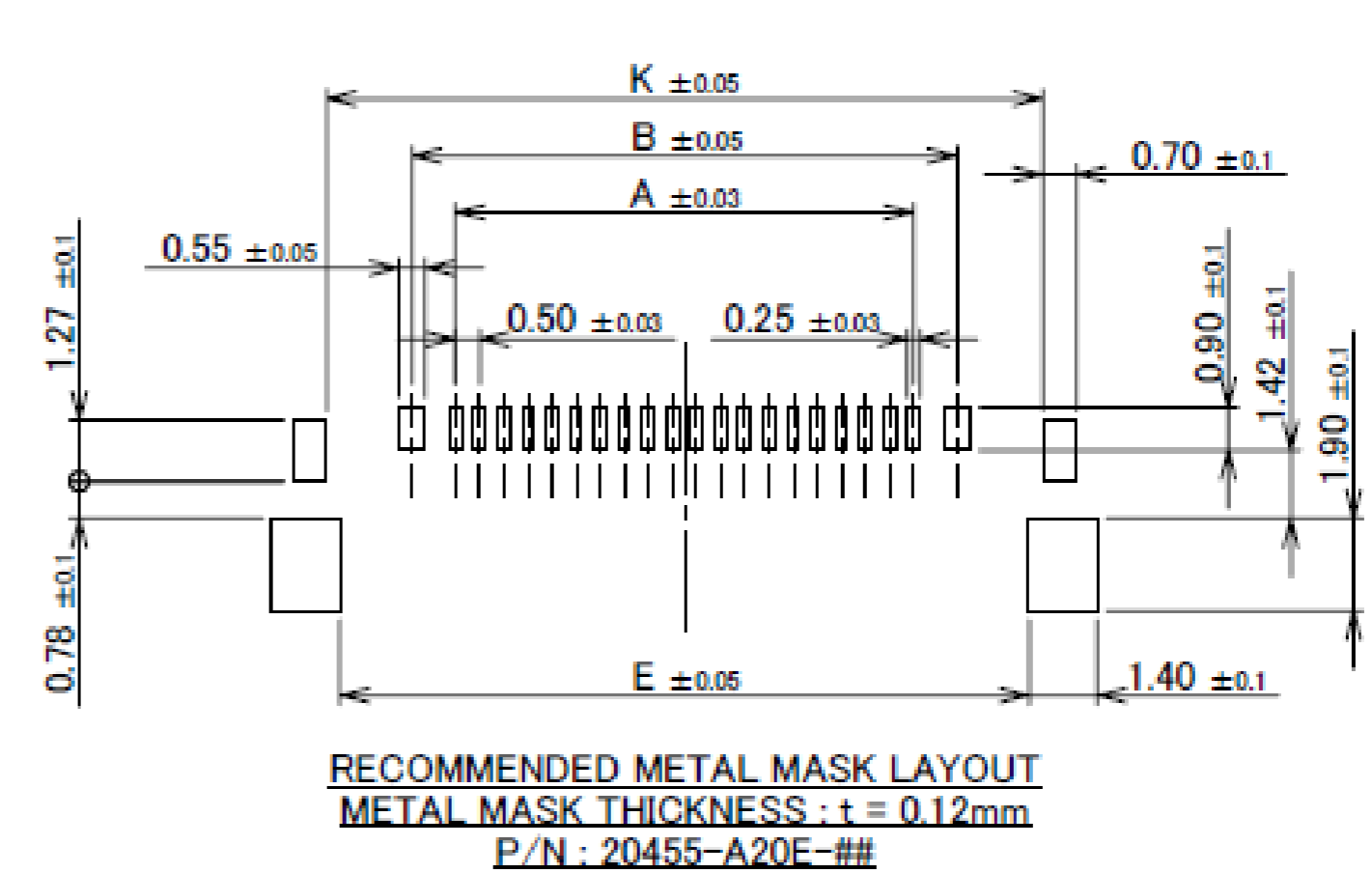
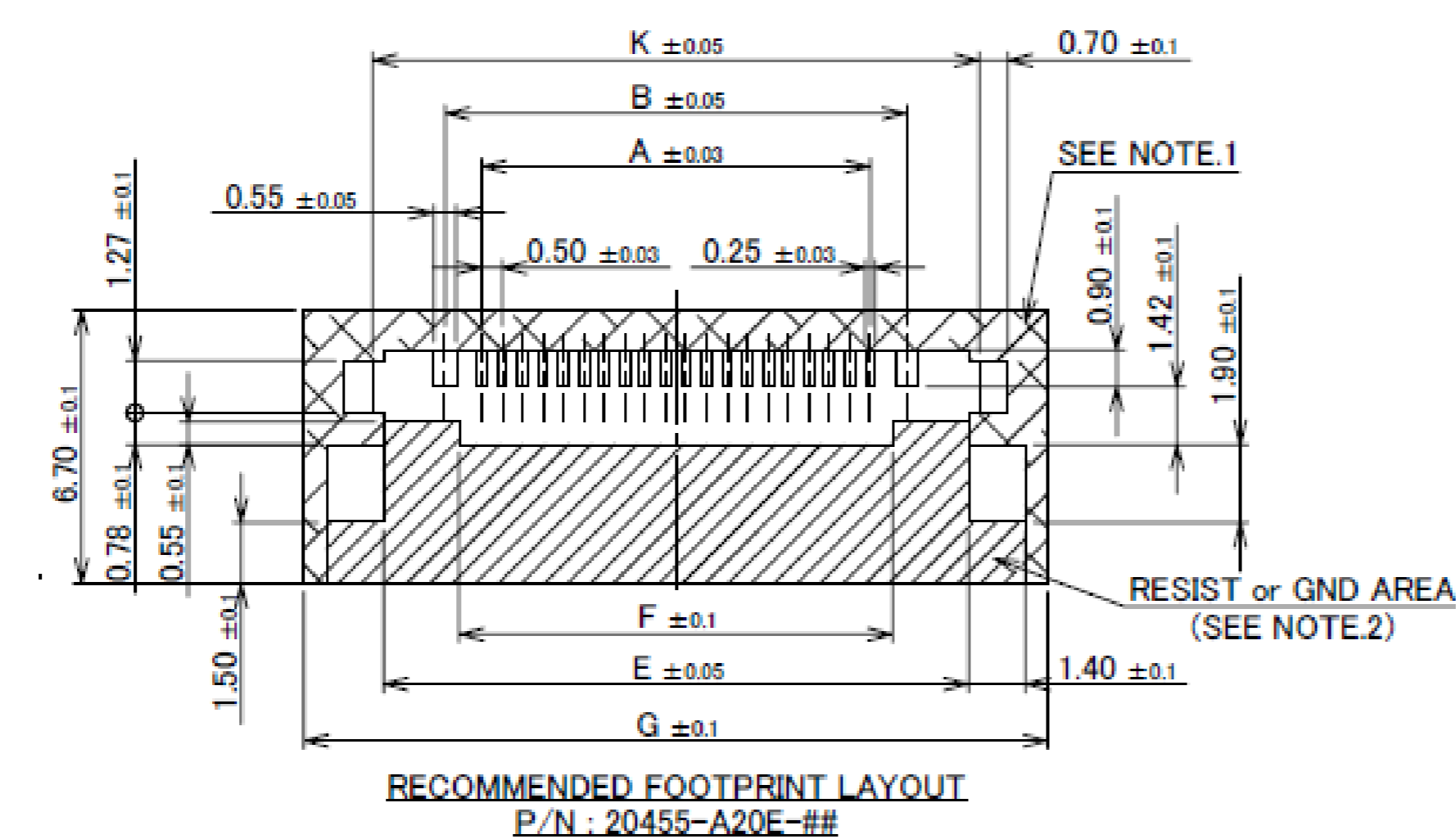
NO.	DISCRIPTION	MATERIAL	FINISH, REMARKS
3	SHELL	PHOSPHOR BRONZE	SEE ABOVE TABLE.1
2	CONTACT	PHOSPHOR BRONZE	SEE ABOVE TABLE.1
1	HOUSING	LCP	UL94V-0, BLACK

Rev.31

PART NO.	Pos.	A	B	E	F	G	H	J	K
20455-#20E-##	20	9.50	11.30	14.30	10.60	18.20	15.32	15.84	14.84
20455-030E-##	30	14.50	16.30	19.30	15.60	23.20	-	-	-
20455-040E-##	40	19.50	21.30	24.30	20.60	28.20	-	-	-
20455-050E-##	50	24.50	26.30	29.30	25.60	33.20	-	-	-



TYPE-A

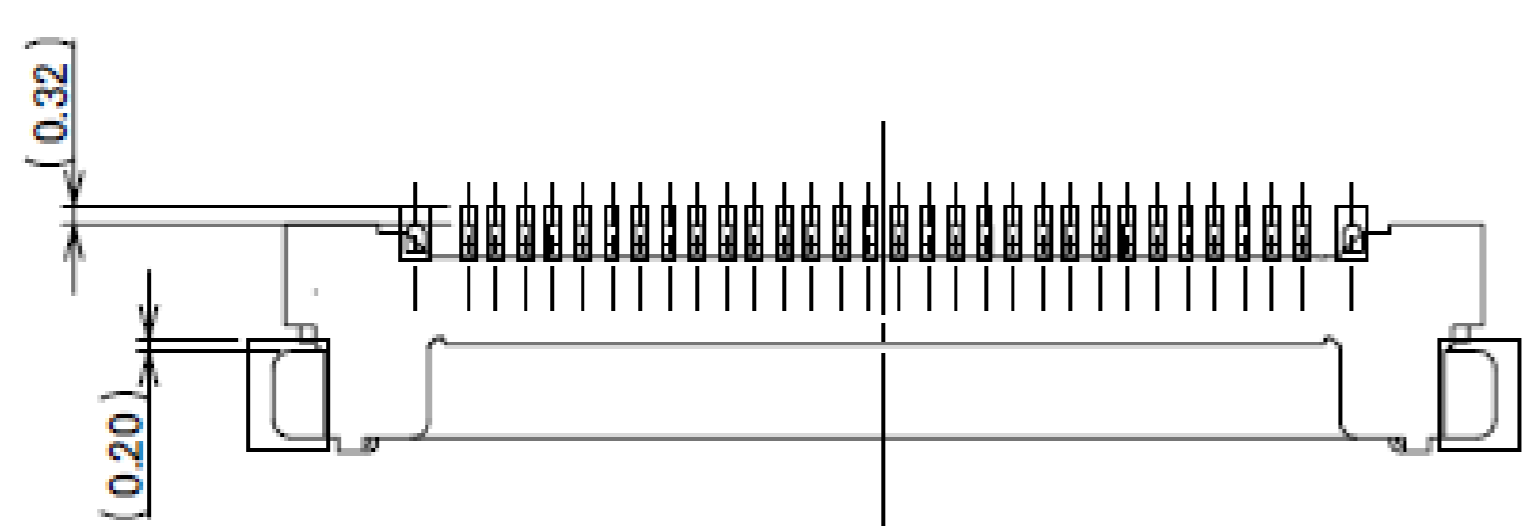


NOTES.

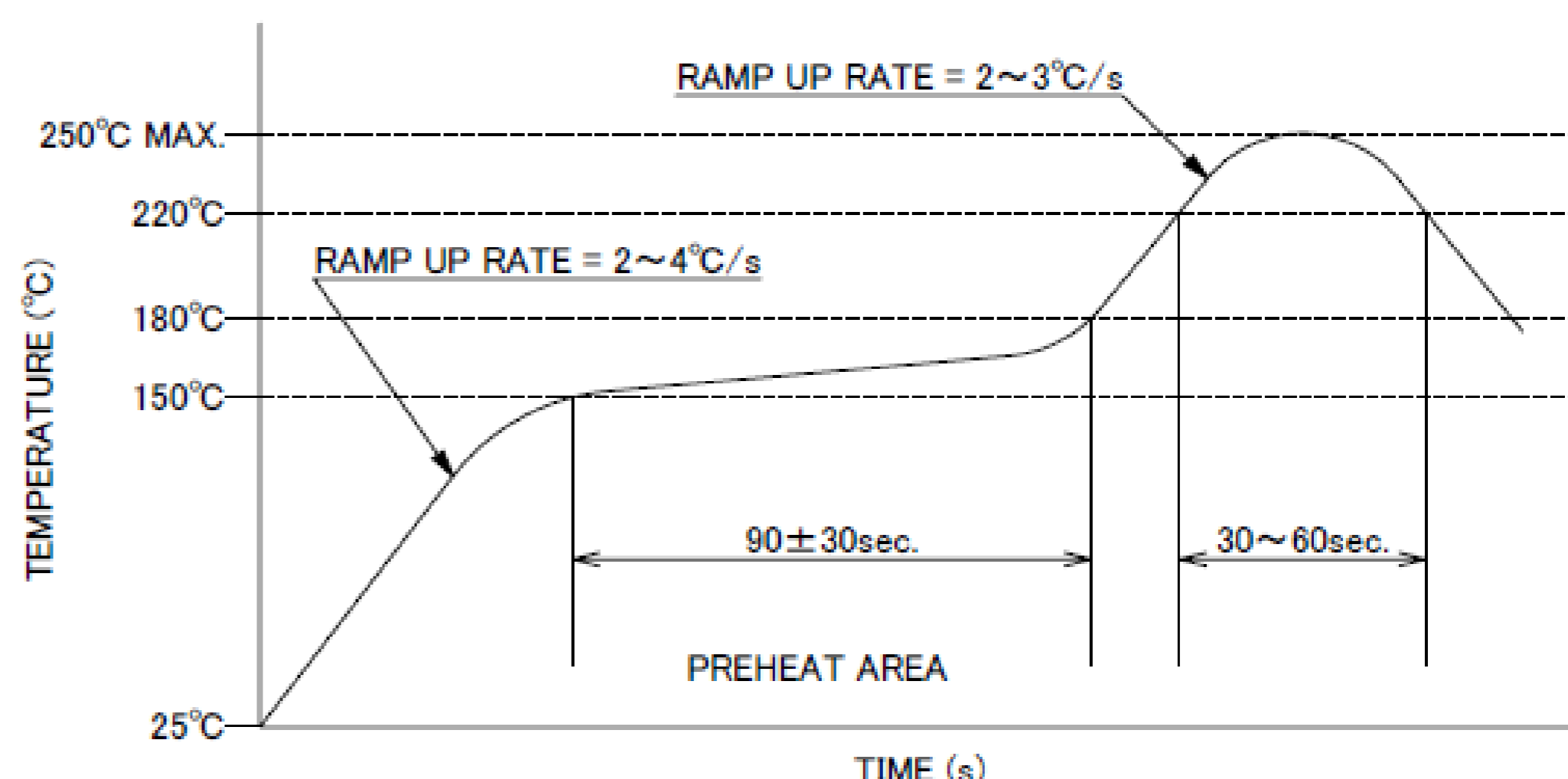
1. IN CASE OF PLUG WITH PULL-BAR, DO NOT MOUNT ANOTHER COMPONENT IN THIS AREA.
2. SOLDER RESIST MUST BE APPLIED TO THIS AREA.

Rev.31

Receptacle Assembly

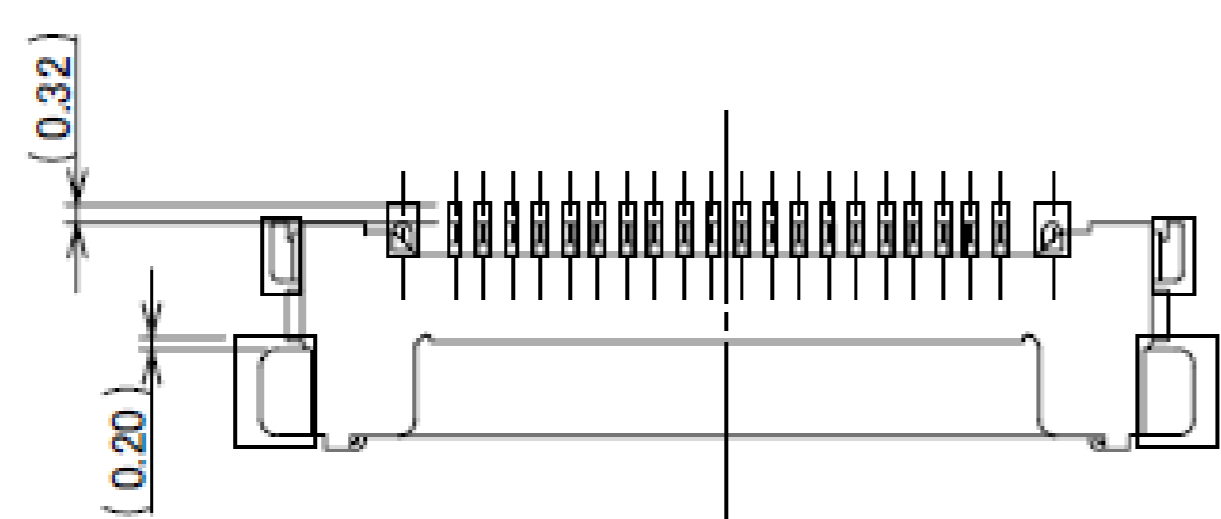


CONNECTOR ON RECOMMENDED FOOTPRINT PATTERN
P/N : 20455-0**E-##



REFLOW TEMPERATURE PROFILE
SENJU METAL INDUSTRY CO., LTD. : M705-SHF(Sn96.5 Ag3.0 Cu0.5)

TYPE-A



CONNECTOR ON RECOMMENDED FOOTPRINT PATTERN
P/N : 20455-A20E-##

Rev.31

ITEMS	SPECIFICATION
APPLICABLE CABLE	MICRO-COAXIAL CABLE : AWG# 44, 42, 40, 38, 36 DISCRETE WIRE : AWG# 36, 34, 32 TWINAX CABLE : AWG# 40
RATING VOLTAGE	100V AC (PER CONTACT PIN)
RATING AMPERAGE (FOR CONTACT)	0.1A AC/DC [AWG#44] PER CONTACT PIN/UP TO 50 CONTACTS 0.24A AC/DC [AWG#42] PER CONTACT PIN/UP TO 50 CONTACTS 0.3A AC/DC [AWG#40] PER CONTACT PIN/UP TO 50 CONTACTS 0.5A AC/DC [AWG#38] PER CONTACT PIN/UP TO 14 CONTACTS 0.8A AC/DC [AWG#36] PER CONTACT PIN/UP TO 10 CONTACTS 1.0A AC/DC [AWG#34] PER CONTACT PIN/UP TO 6 CONTACTS 1.0A AC/DC [AWG#32] PER CONTACT PIN/UP TO 6 CONTACTS TESTING BY A REAL MACHINE IS RECOMMENDED BECAUSE TEMPERATURE RISE MAY AFFECTED BY ACTUAL SITUATION.
OPERATING TEMPERATURE	233~358K(-40°C~+85°C)
OPERATING HUMIDITY	85% R.H. MAX.(NON-CONDENSING)
CONTACT RESISTANCE	INITIAL : 140mohm MAX.(AWG#32) / AFTER TEST : \triangleleft40mohm MAX. 180mohm MAX.(AWG#34) 275mohm MAX.(AWG#36) 360mohm MAX.(AWG#38) 600mohm MAX.(AWG#40) 700mohm MAX.(AWG#42) 1080mohm MAX.(AWG#44)
GROUND SHELL RESISTANCE	INITIAL : 50mohm MAX. / AFTER TEST : \triangleleft40mohm MAX.
INSULATION RESISTANCE	INITIAL : 1000Mohm MIN. / AFTER TEST : 500Mohm MIN.
DIELECTRIC WITHSTANDING VOLTAGE	AC250V 1min
DURABILITY	30 CYCLES
MATING FORCE (INITIAL / AFTER TEST)	20P : 9.45N MAX. 30P : 12.15N MAX. 40P : 16.20N MAX. 50P : 20.25N MAX.
UNMATING FORCE (INITIAL / AFTER TEST)	20P : 2.0N MIN. 30P : 3.0N MIN. 40P : 4.0N MIN. 50P : 5.0N MIN.
CABLE RETENTION FORCE	20P : 9.80N MIN. 30P : 14.70N MIN. 40P : 19.60N MIN. 50P : 24.50N MIN.
COPLANARITY	0.10 MAX.
PRODUCT SPECIFICATION	PRS-1427
TEST REPORT	TR-08047 (20455-##E-#2) TR-13084 (20455-##E-#6, 20455-0**E-#8)
PACKING STANDARD	300-643
INSTRUCTION MANUAL	HIM-08004
APPEARANCE CRITERIA NO.	QLS-A**


Rev.31

Custom Connectors Available

 RF Connector

MHF® series



 CABLINE® series
Micro-coaxial/Twinax/
Discrete Wire Connector



 Optical Module

LIGHTPASS® series



NOVASTACK® series

 Board-to-Board Connector



 Power Connector/
Terminal

AP series

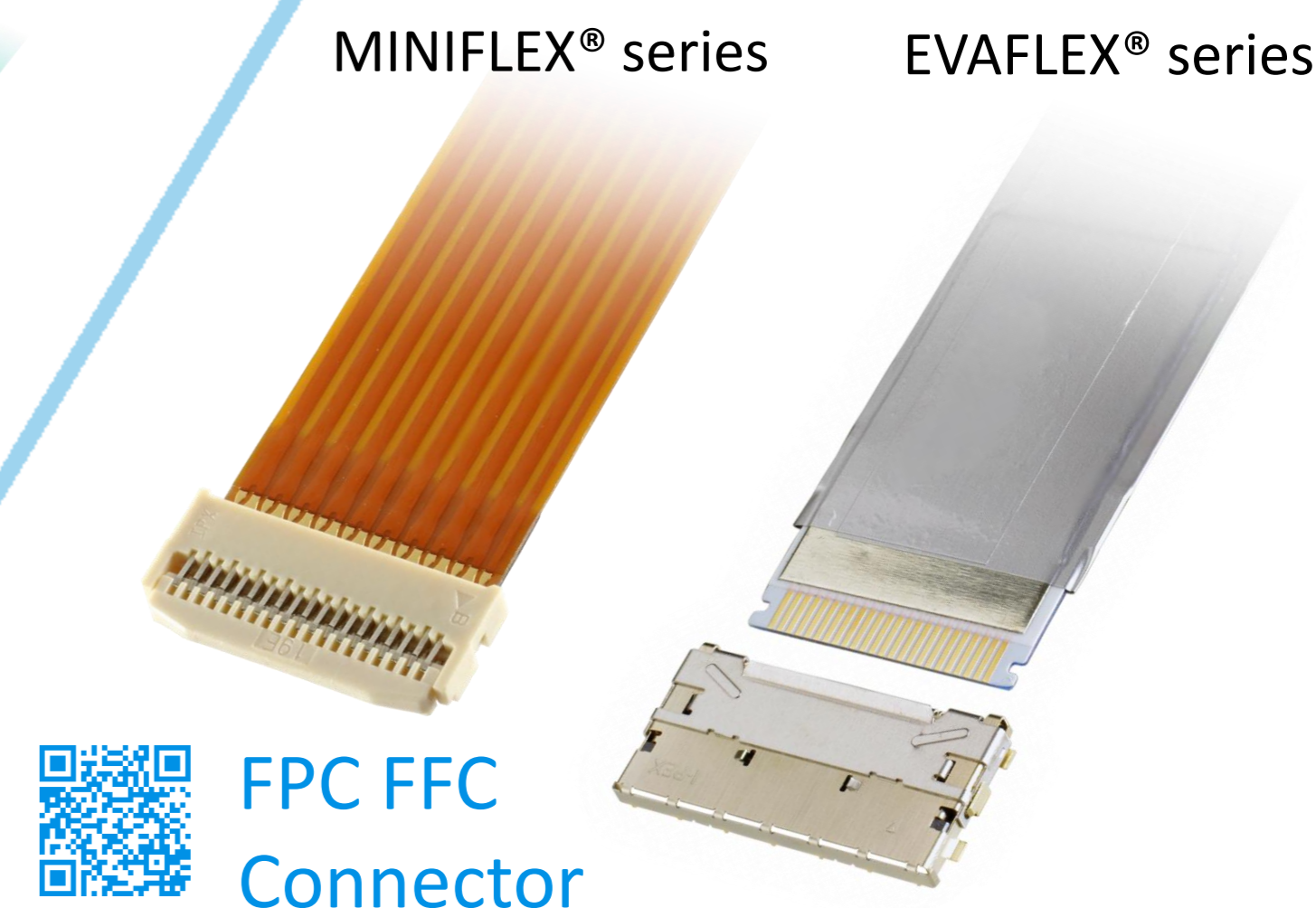
ISH® series



MINIFLEX® series

EVAFLEX® series

 FPC FFC Connector

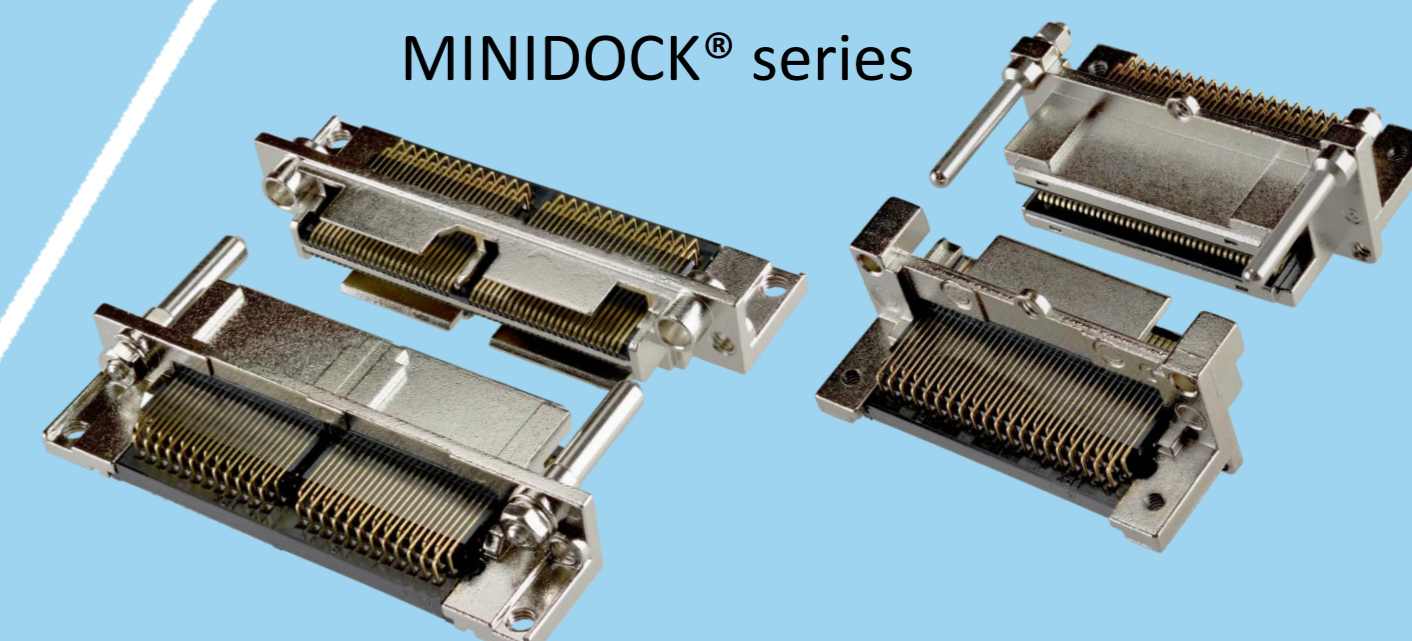


Inquiry



MINIDOCK® series

 I/O Connector



I-PEX, MHF, CABLINE, LIGHTPASS, NOVASTACK, ISH, IARPB, MINIFLEX, EVAFLEX, MINIDOCKS and ZenShield are registered trademarks of I-PEX Inc. Please note that the contents in the catalog might be changed without prior notification. I-PEX Inc. assumes no responsibility for any inaccuracies or obligation to update information on these documents. Please be sure to read and understand the latest "Precautions for Use" and "Instruction Manual" before you use our products. We shall not be responsible for any defects, damages or troubles in case you use our products without following the precautions for use. Please feel free to contact our sales representatives when you use our products for any applications that require very high reliability and safety, or that relate to human life (ex. nuclear power control, aerospace, transportation, medical equipment, safety equipment etc.).

Contact your sales representative or more detailed information.

www.i-pex.com



I-PEX

© I-PEX Inc. 2024
All rights reserved