

CABLINE®-VSF

机械锁扣, 0.5mm间距, 水平对插款的FPC 型公头连接器

Product Specifications:

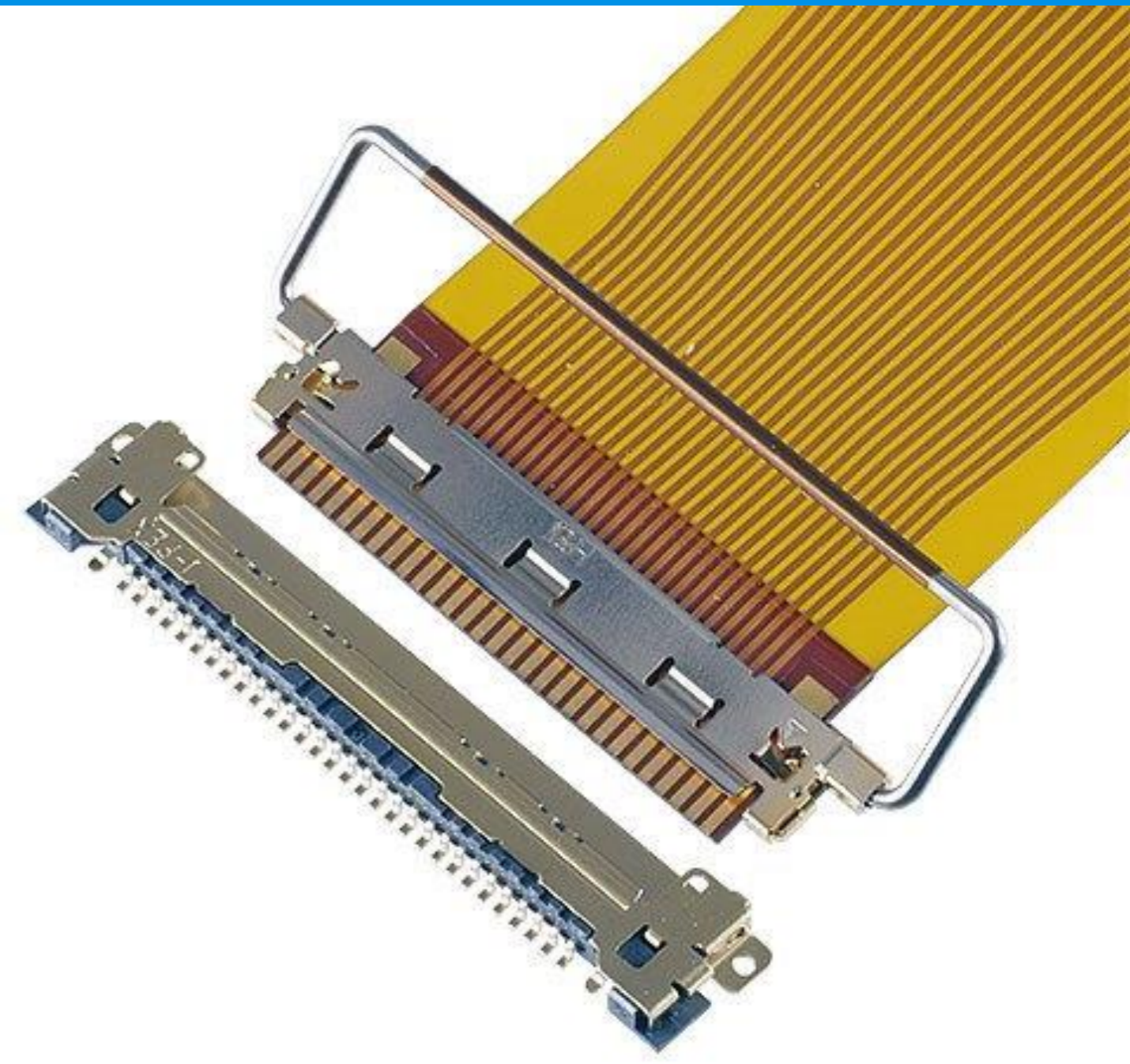
Mating type	Horizontal	
Board Pitch (mm)	0.5	
Wiping Length (mm)	0.62	
Mated size (mm)	Height	1.0 +/- 0.1
	Width	Formula: 7.55 + (0.5*?p)
	Depth	5.97
Pin Counts	Range	Up to 50
	Available	30, 40

Applicable FPC

FPC Type	Shielded/Non-shielded FPC
FPC Pitch (mm)	0.5
FPC Contact Point	Top
FPC Thickness (mm)	Contact Area: 0.28 +0.02/-0.03
	Ground Area: 0.34 ± 0.05

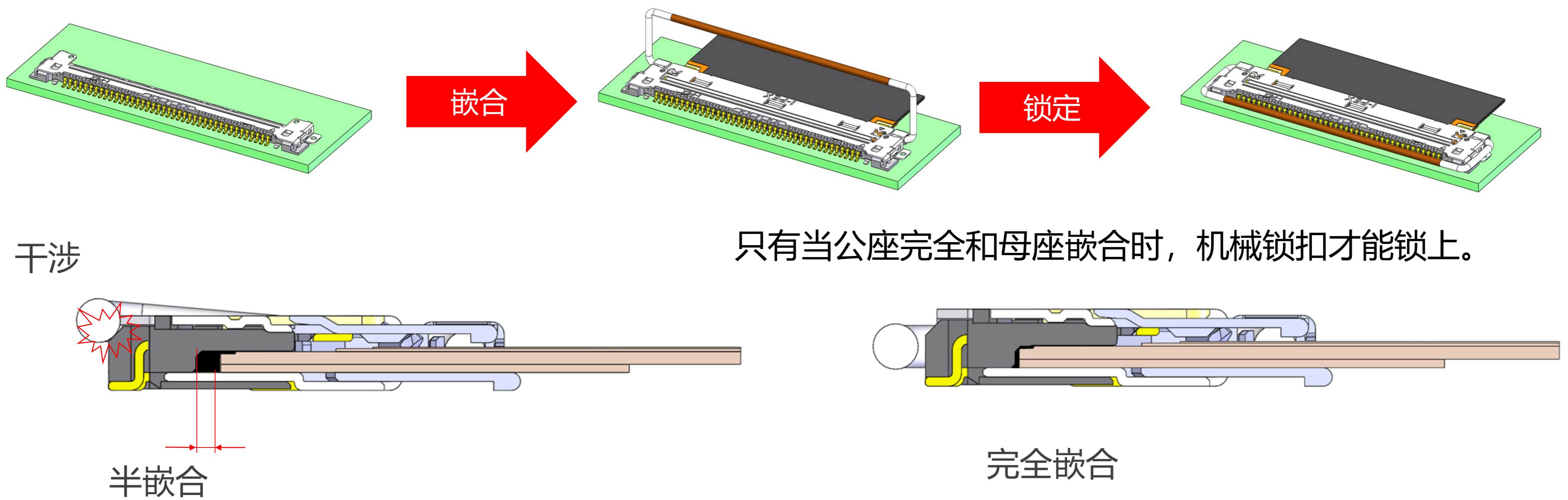
Applicable Standards (Reference Only):

PCIe® Gen 4 (16 GT/s/Lane), USB3.2 Gen2 (10 Gbps/Lane)
eDP HBR 3 (8.1 Gbps/Lane), USB3.2 Gen1(5 Gbps/Lane)

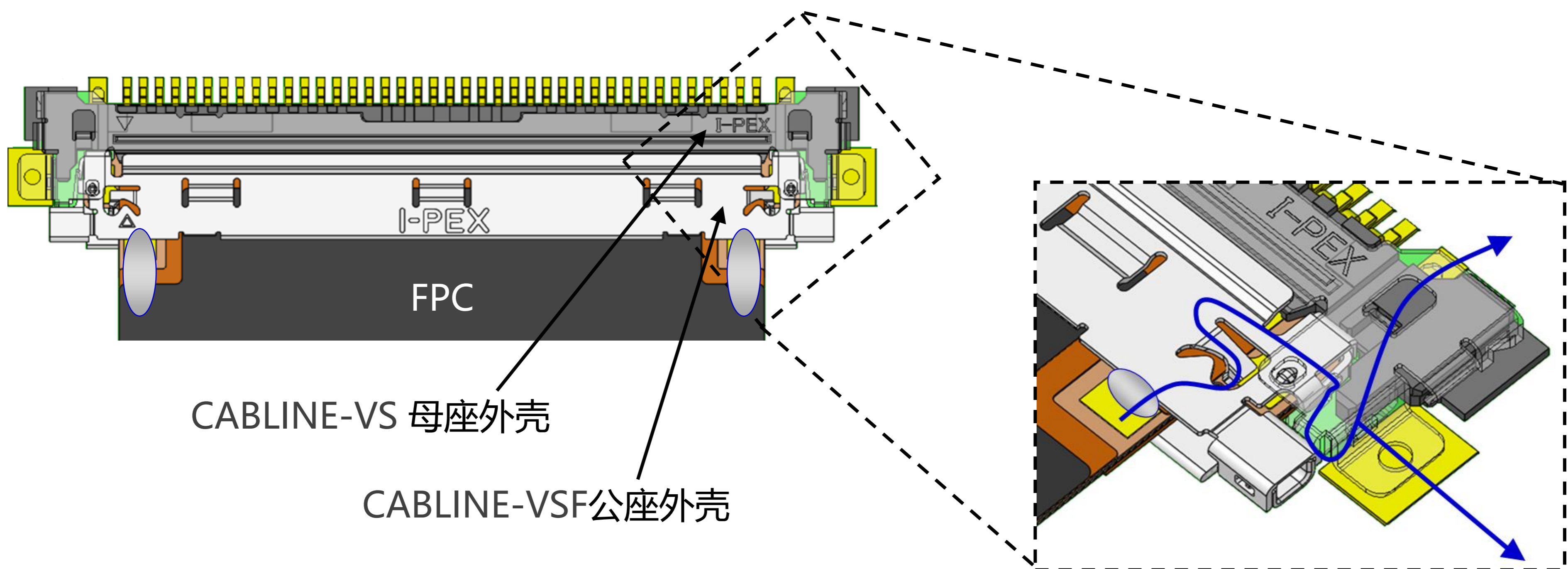


*如您需要了解未列出或不在范围内的Pin数, 请咨询我们。

机械锁扣防止连接器不完全嵌合/未嵌合及脱落



EMI 屏蔽和多点接地设计

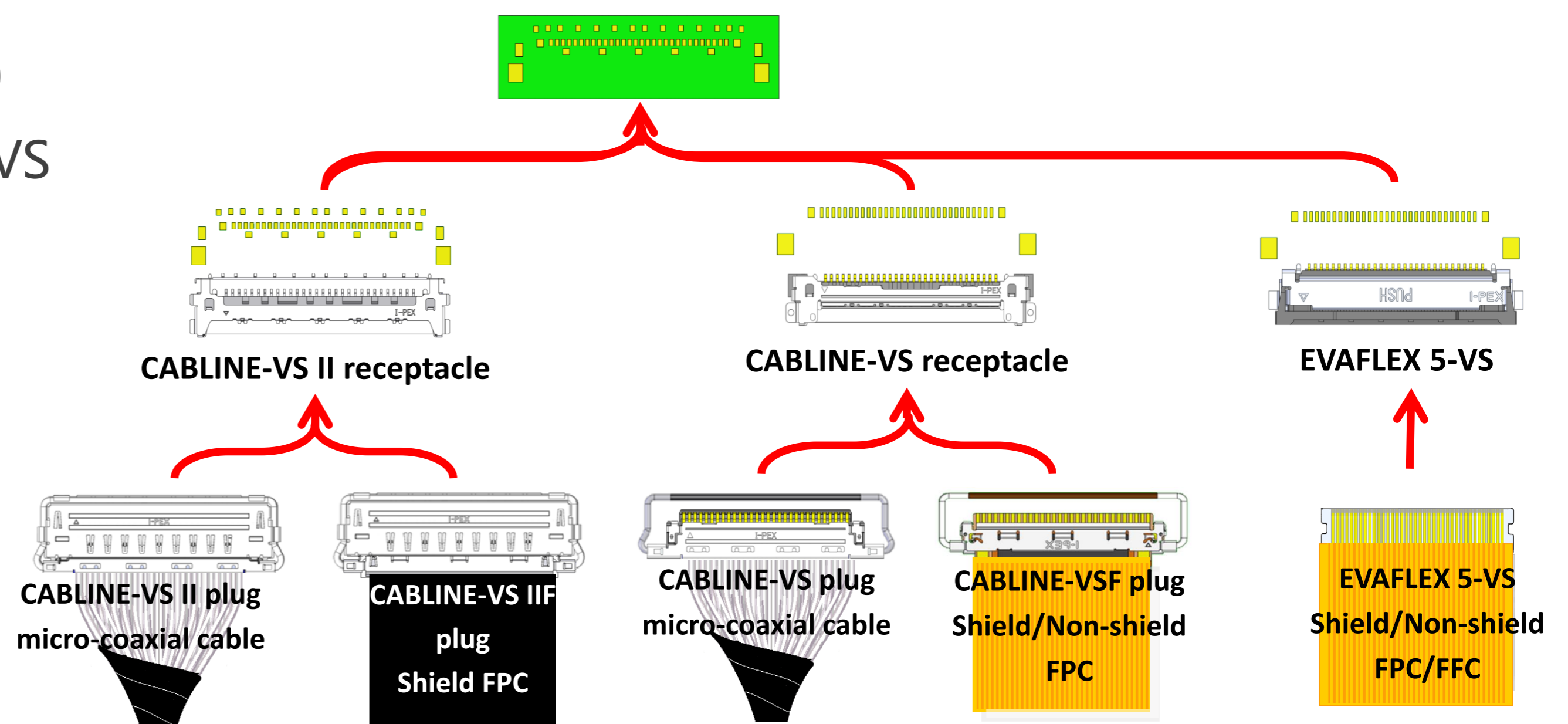


I-PEX VS 系列多款连接器可选

I-PEX VS 系列 (0.5mm 间距, 水平对插方式)

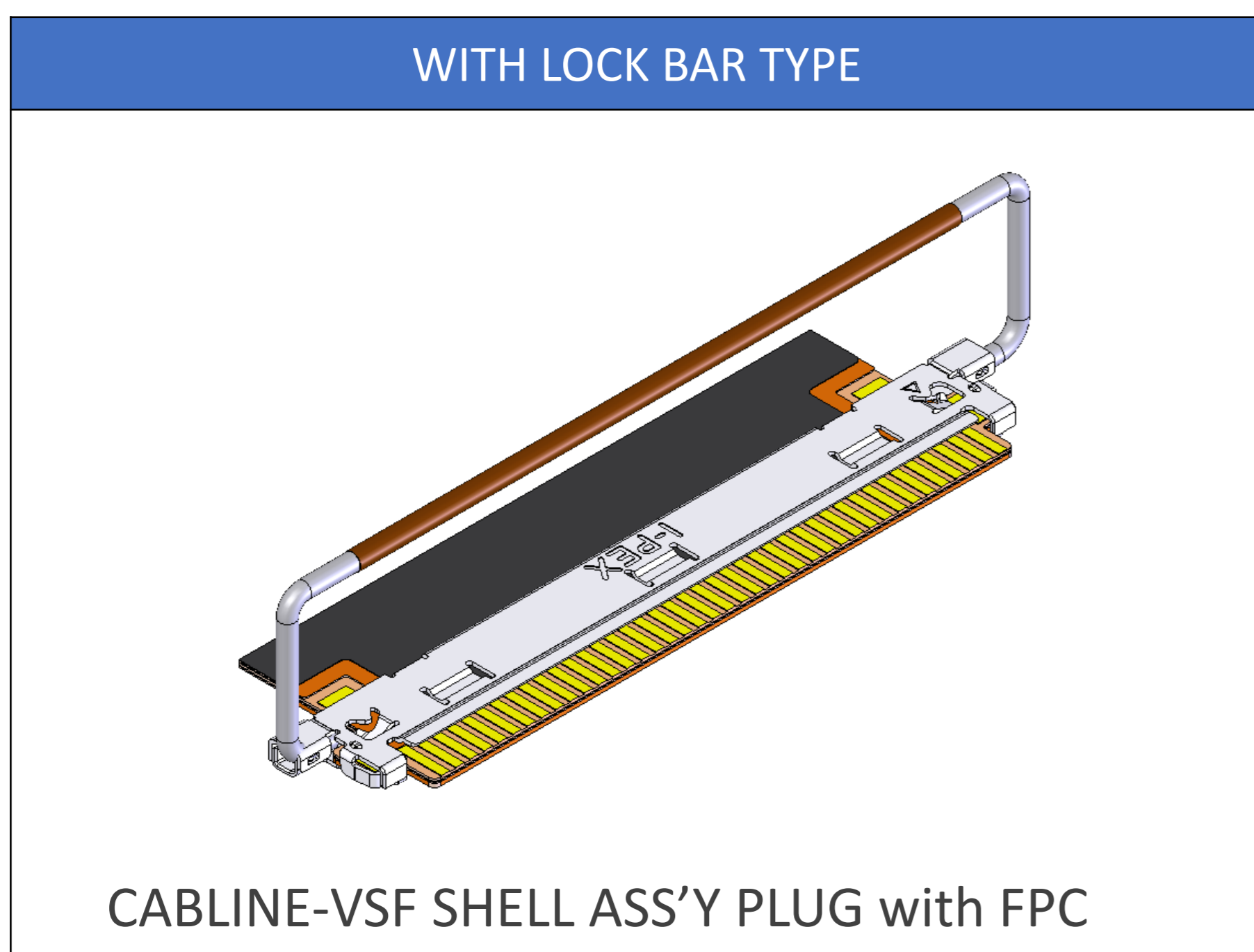
CABLINE-VS, VS II 的母座和 EVAFLEX® 5-VS 可以安装在相同布局的PCB上。

CABLINE-VS 母座:
VESA 标准连接器, Notebook PC panel 连接器占No.1市场份额。

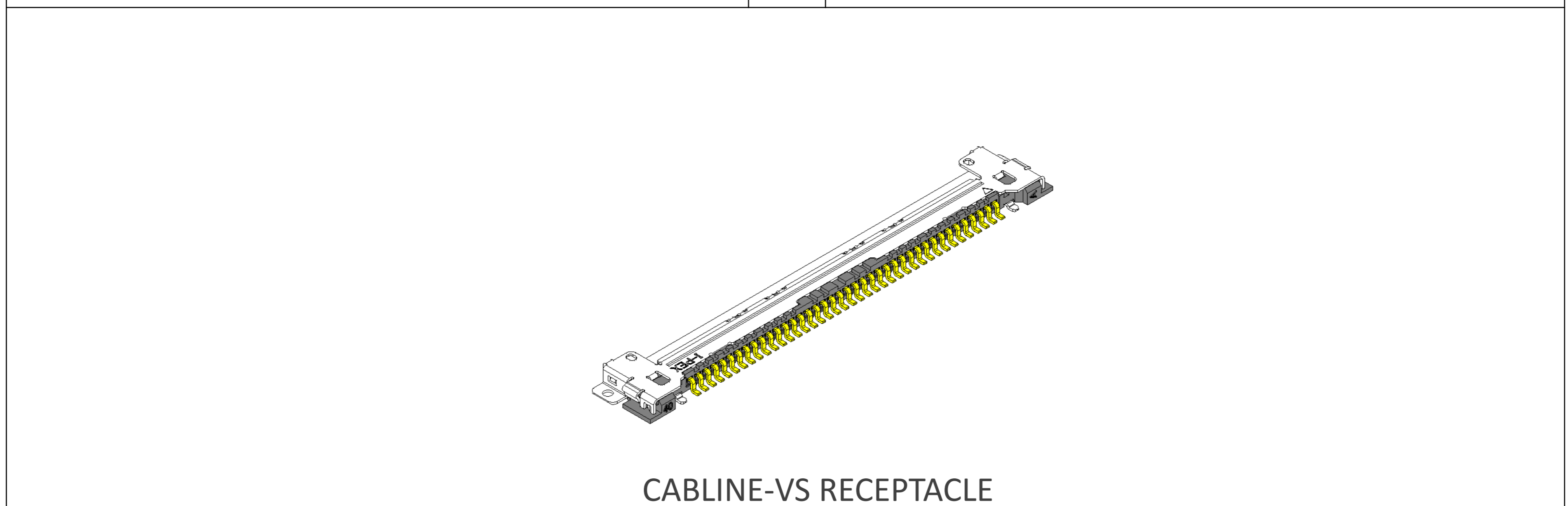
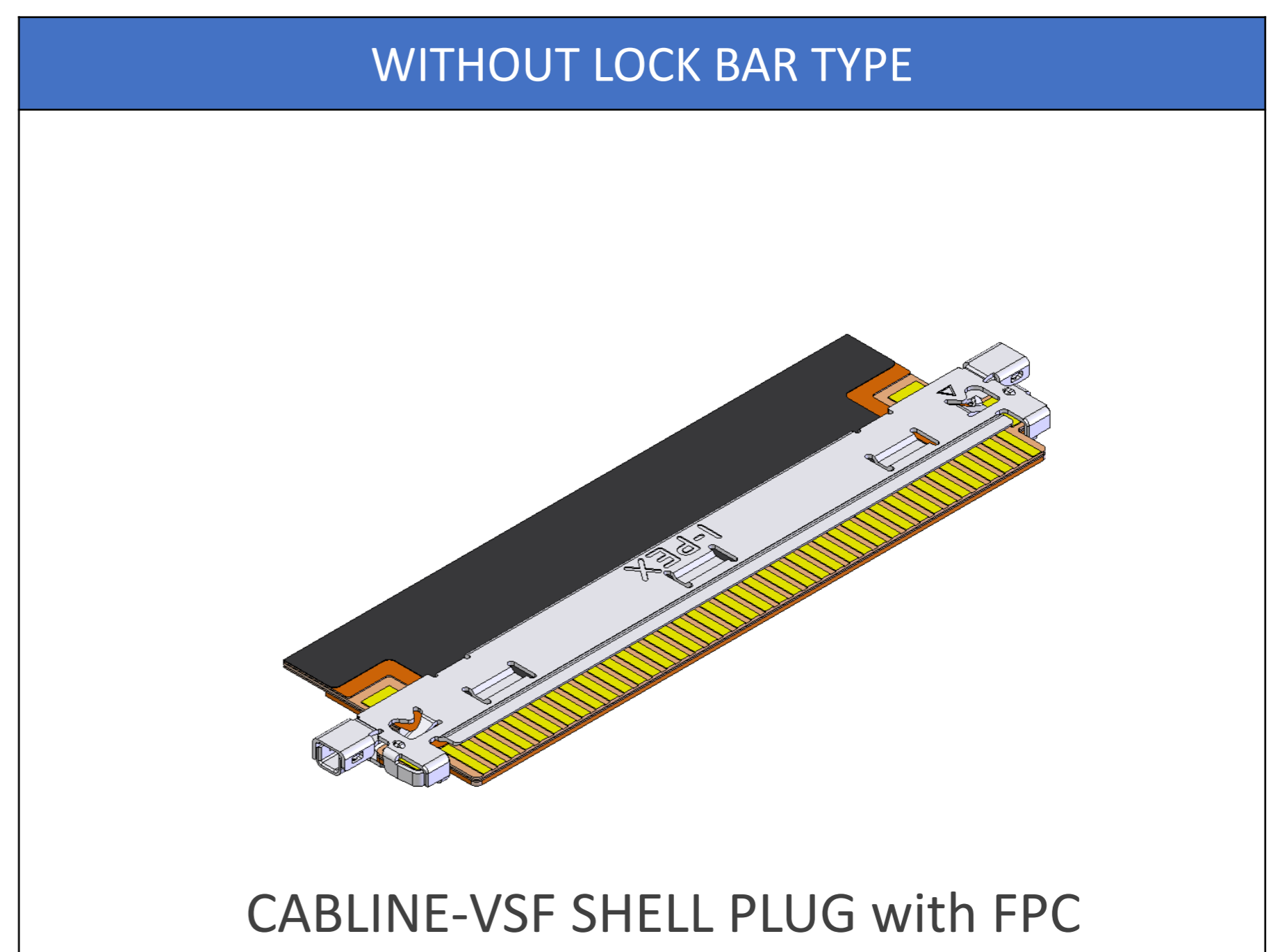


Component Parts Details

Component Parts



OR



Shell Assembly

Recommended P/N: 20645-0**T-01

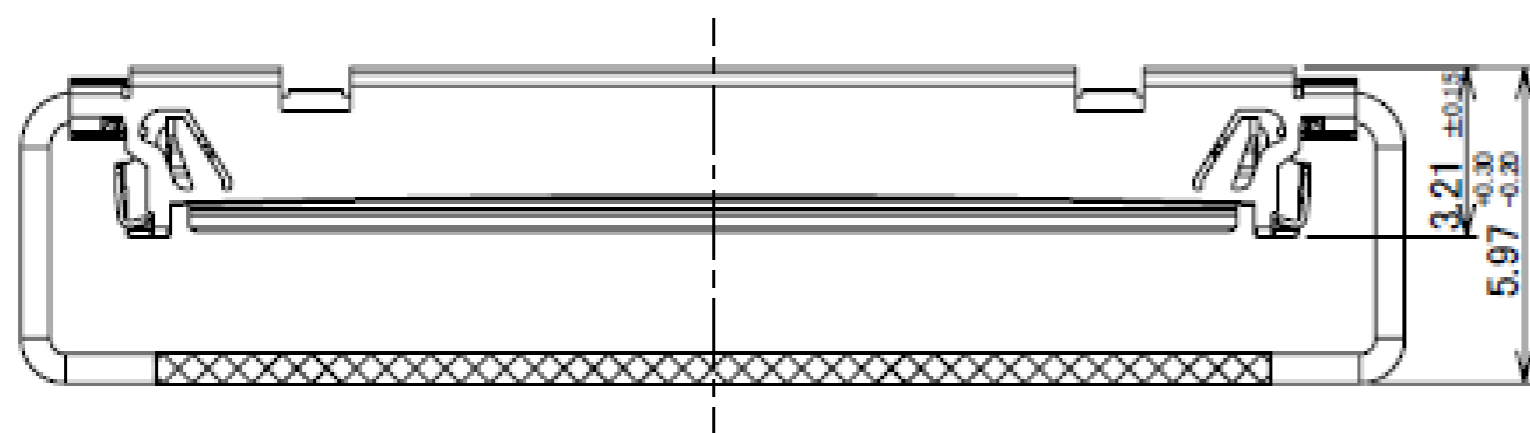
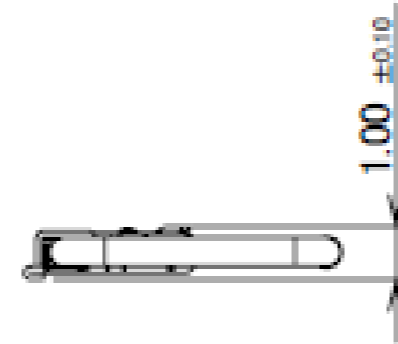
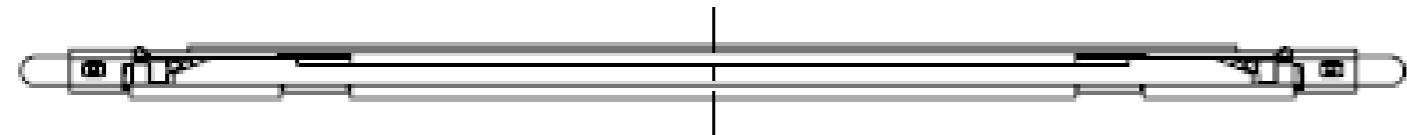
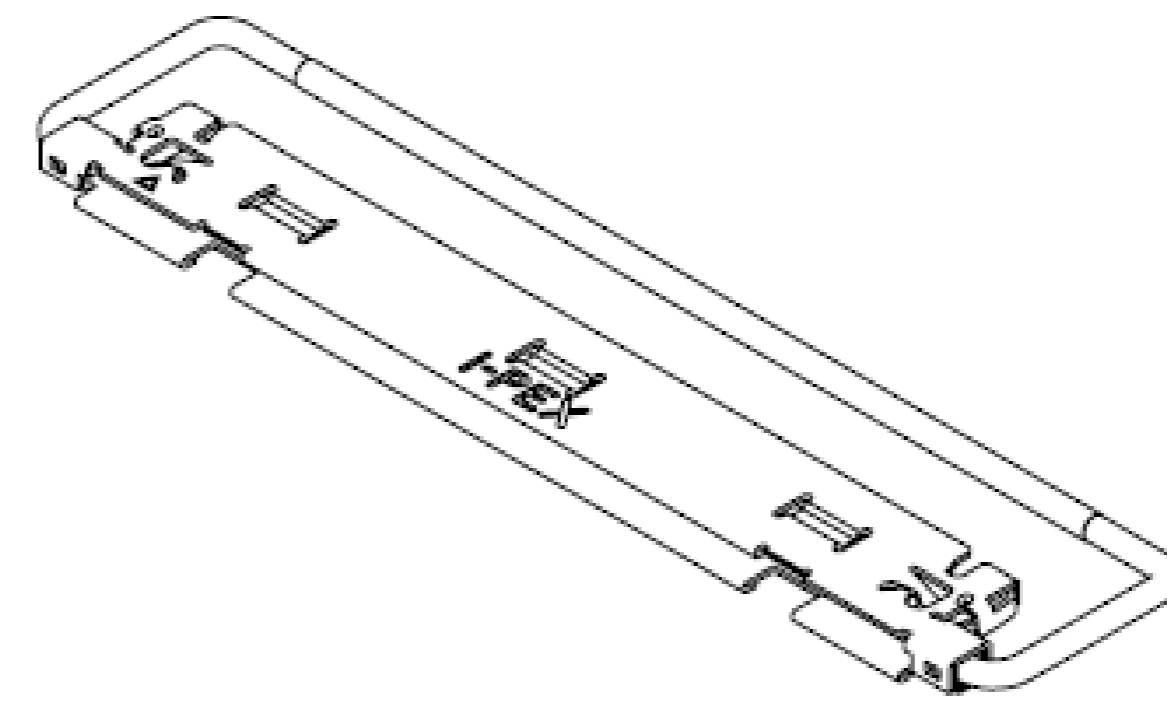
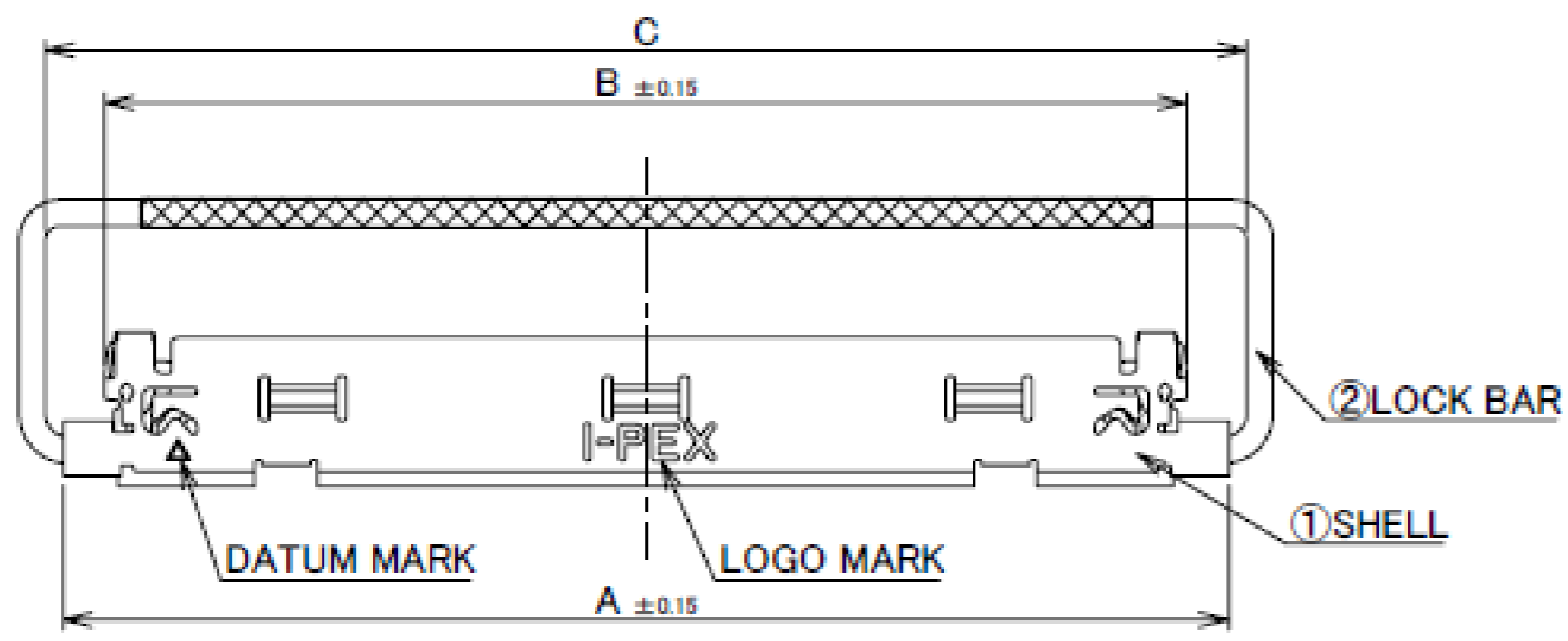
PART No.	A	B	C
20645-030T-01	19.30	17.56	20.05
20645-040T-01	24.30	22.56	25.05



Halogen Free



RoHS Compliant



NO.	DISCRIPTION	MATERIAL	FINISH , REMARKS
2	LOCK BAR	SUS	-
1	SHELL	PHOSPHOR BRONZE	ALL OVER Ni 1.00 μm MIN. CONTACT & SOLDERING AREA : Au 0.01 μm MIN.

Rev.13

POS.	A	B	D	E	H
30	19.30	17.56	14.50	15.30	21.15
40	24.30	22.56	19.50	20.30	26.15

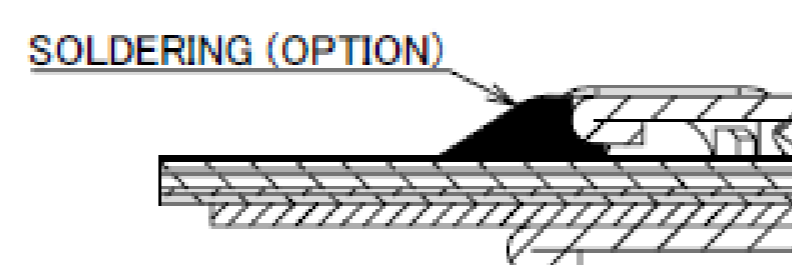
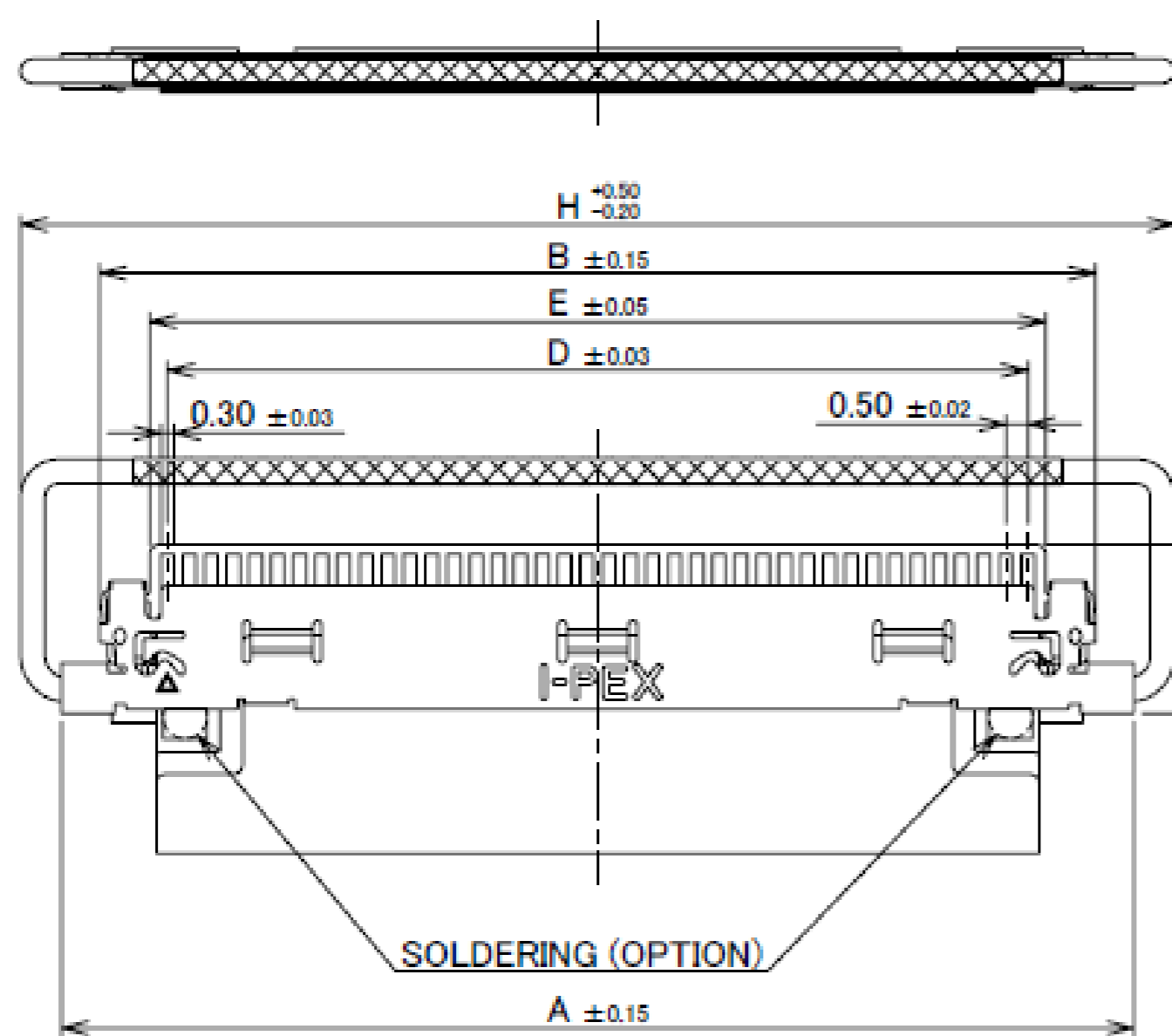
FPC ASS'Y STATE



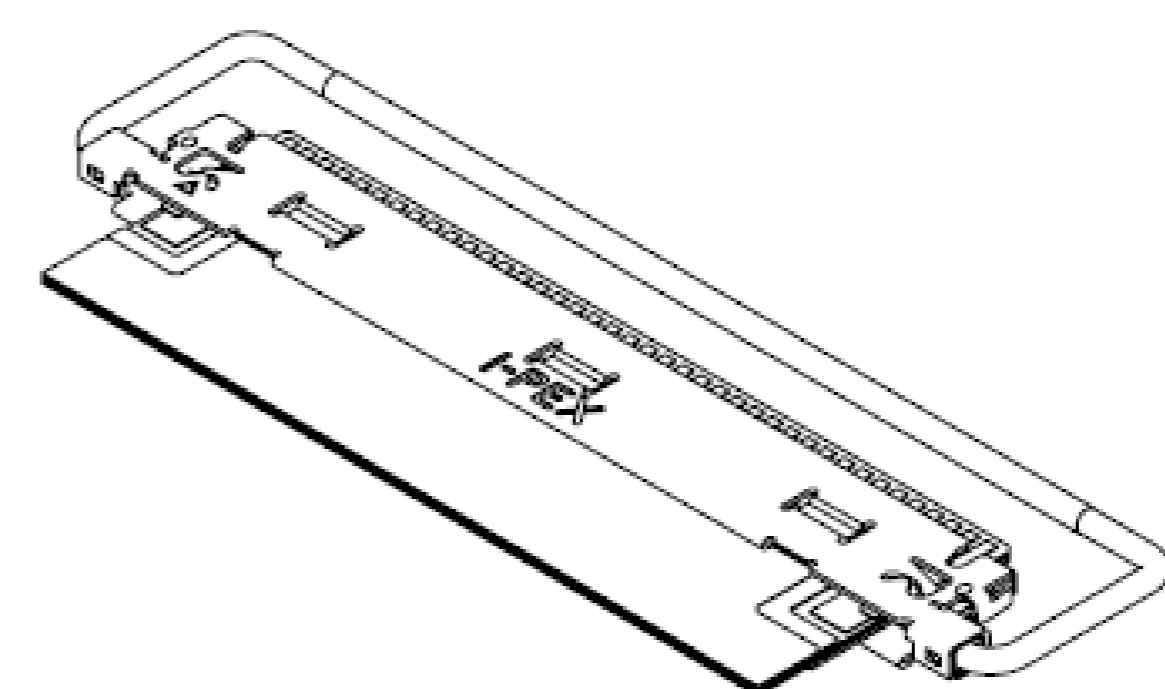
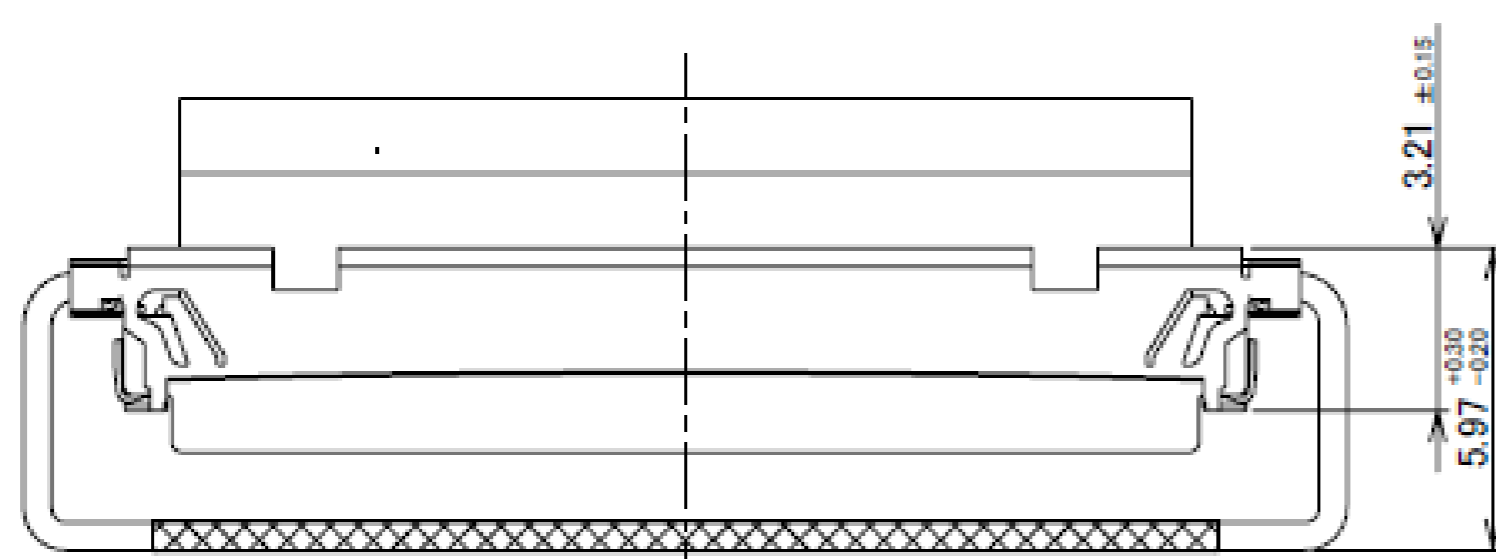
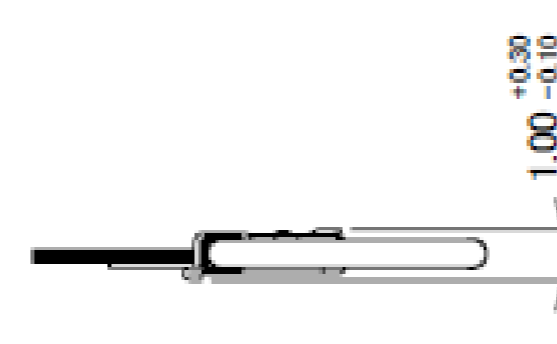
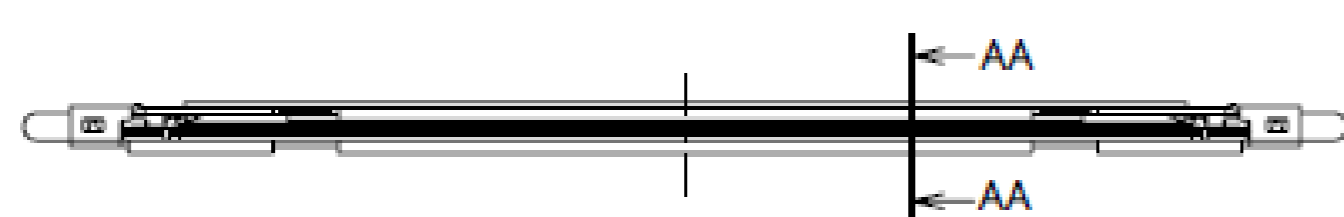
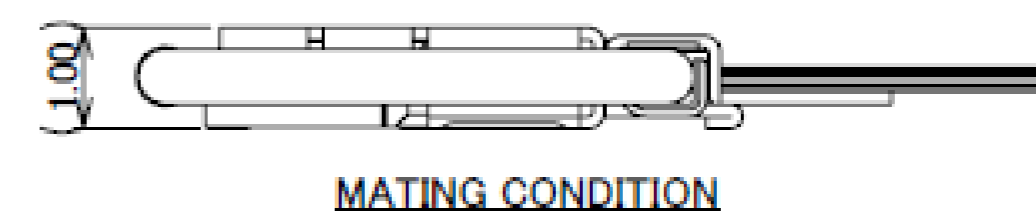
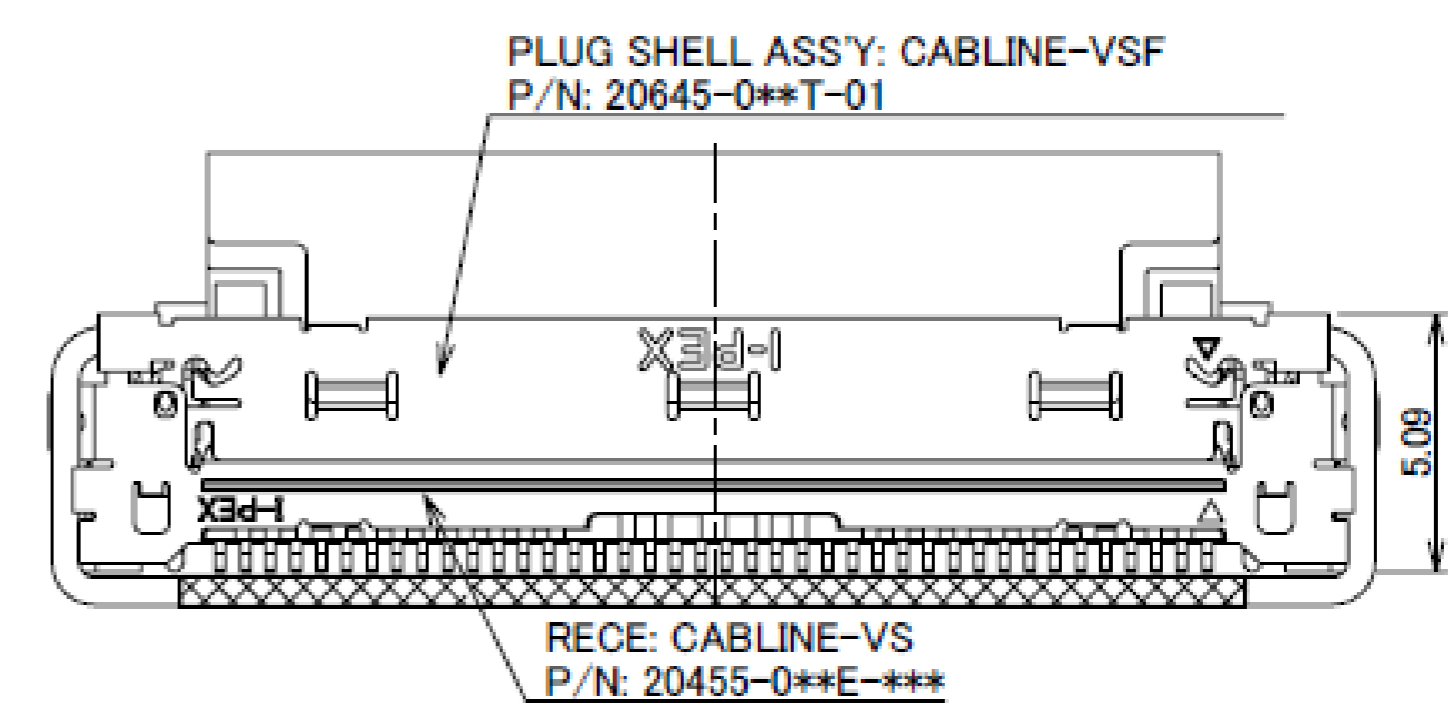
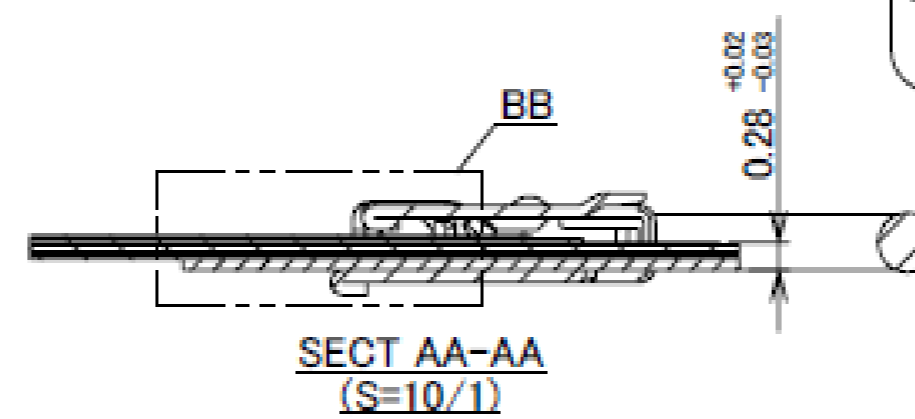
Halogen Free



RoHS Compliant



DETAIL BB
(S=20/1)

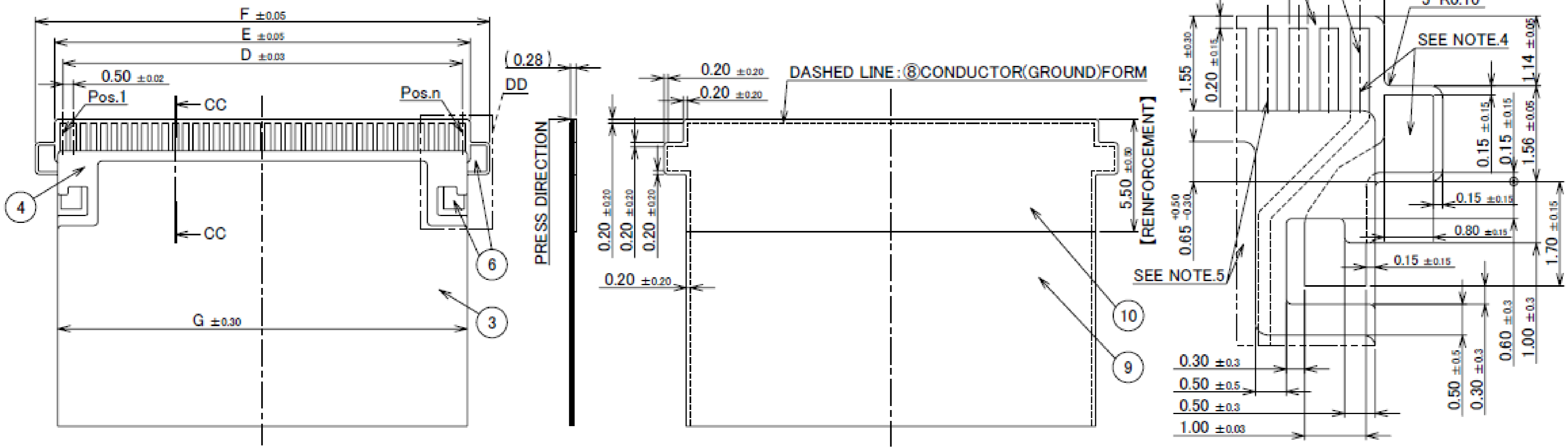


Rev.13

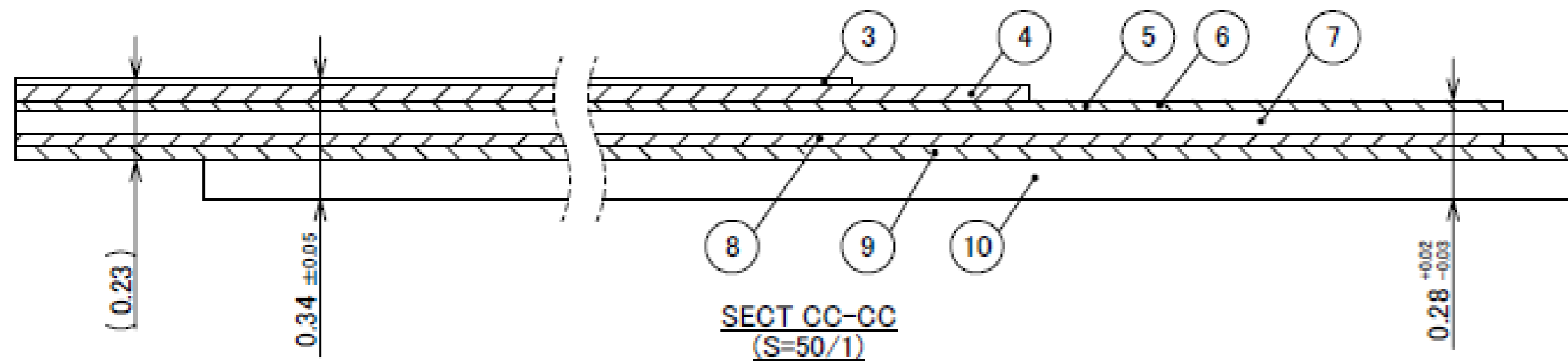
Shell Assembly

POS.	D	E	F	G
30	14.50	15.30	17.20	15.00
40	19.50	20.30	22.20	20.00

RECOMMENDED FPC LAYOUT 【SHIELDED TYPE】



DETAIL DD
(S=15/1)



NO.	DESCRIPTION	MATERIAL	PLATING
10	REINFORCING TAPE	-	-
9	INSULATOR	-	-
8	CONDUCTOR (GROUND)	Cu	-
7	INSULATOR	-	-
6	CONDUCTOR (GROUND)	Cu	Ni, Au
5	CONDUCTOR (SIGNAL)	Cu	Ni, Au
4	INSULATOR	-	-
3	SHIELD FILM	-	-

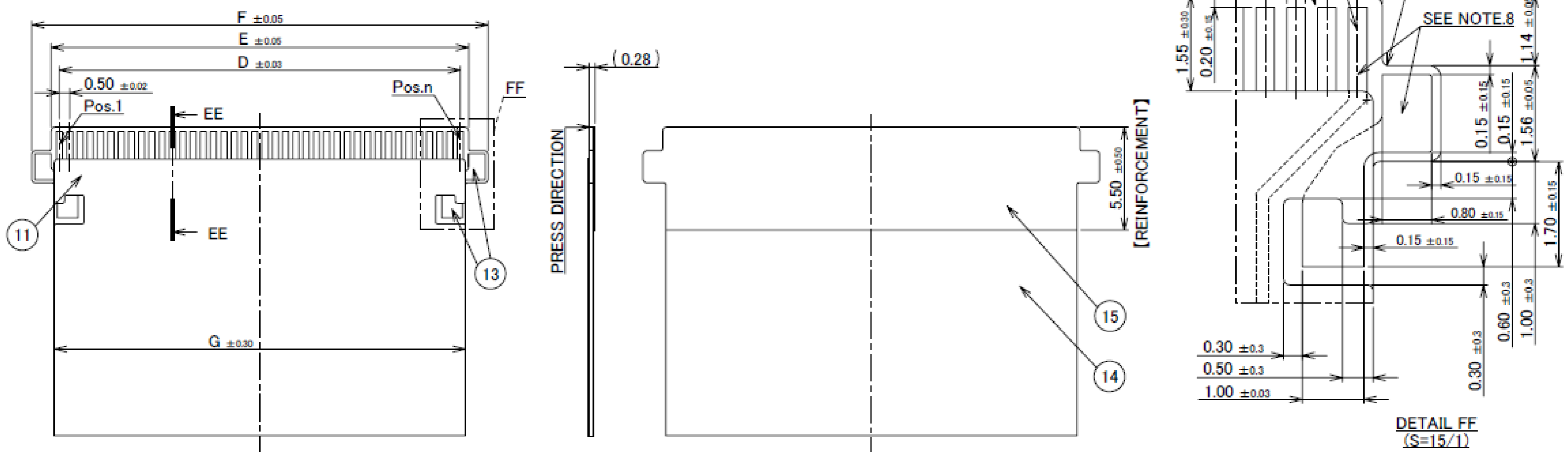
NOTES.

- ADHESIVE SHOULD USE THERMOSETTING.
- No.6: CONDUCTOR(GROUND) AND No.8: CONDUCTOR(GROUND) ARE CARRYING OUT THE ELECTRICAL CONNECTION.
- No.3: SHIELD FILM AND No.8: CONDUCTOR(GROUND) ARE CARRYING OUT THE ELECTRICAL CONNECTION.
- No.5: CONDUCTOR(SIGNAL) AND No.6,8: CONDUCTOR(GROUND) ARE NOT CONTACTING.
- No.5: CONDUCTOR(SIGNAL) AND No.3: SHIELD FILM ARE NOT CONTACTING.

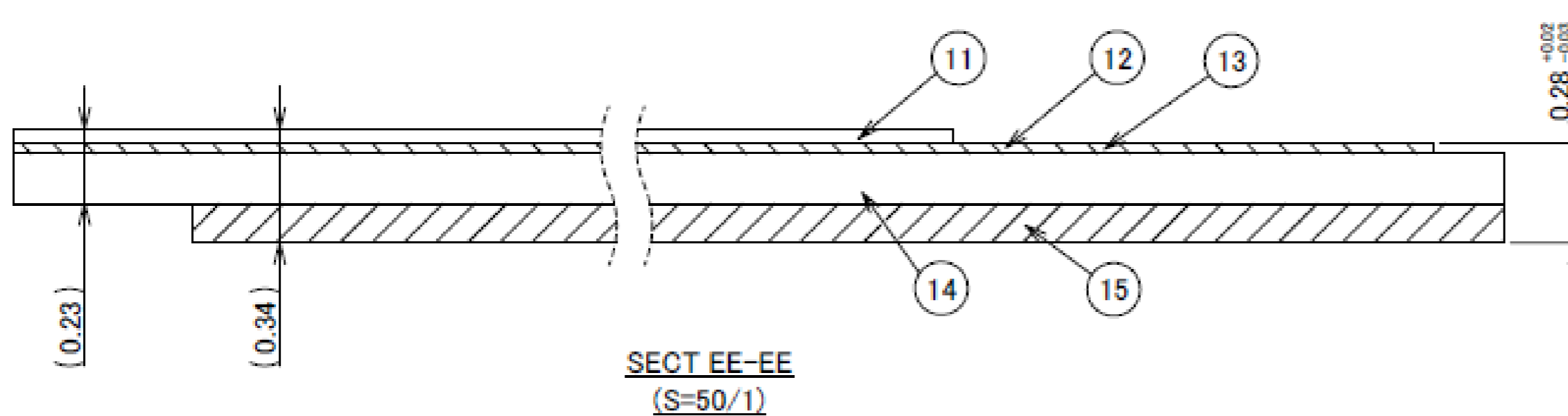
Rev.13

POS.	D	E	F	G
30	14.50	15.30	17.20	15.00
40	19.50	20.30	22.20	20.00

RECOMMENDED FPC LAYOUT 【NON SHIELDED TYPE】



DETAIL FF
(S=15/1)



NO.	DESCRIPTION	MATERIAL	PLATING
15	REINFORCING TAPE	-	-
14	INSULATOR	-	-
13	CONDUCTOR (GROUND)	Cu	Ni, Au
12	CONDUCTOR (SIGNAL)	Cu	Ni, Au
11	INSULATOR	-	-

NOTES.

- ADHESIVE SHOULD USE THERMOSETTING.
- No.12: CONDUCTOR(SIGNAL) AND No.13: CONDUCTOR(GROUND) ARE NOT CONTACTING.

Rev.13

ITEMS	SPECIFICATION
RATING VOLTAGE	100V AC (PER CONTACT)
RATING AMPERAGE (FOR SIGNAL CONTACT)	0.5A AC/DC (PER CONTACT PIN) ※AVAILABLE UP TO 20PIN 0.3A AC/DC (PER CONTACT PIN) ※AVAILABLE FOR ALL PIN
OPERATING TEMPERATURE	233~358K(-40°C~+85°C)
OPERATING HUMIDITY	85% MAX.(NON-CONDENSING)
CONTACT RESISTANCE (FOR SIGNAL CONTACT)	INITIAL : 60mohm MAX. / AFTER TEST : \triangle 40mohm MAX.
GROUND SHELL RESISTANCE	INITIAL : 60mohm MAX. / AFTER TEST : \triangle 40mohm MAX.
INSULATION RESISTANCE	INITIAL : 1000Mohm MIN. / AFTER TEST : 500Mohm MIN.
DIELECTRIC WITHSTANDING VOLTAGE	AC250V 1min
DURABILITY	30 CYCLES
MATING FORCE (INITIAL / AFTER TEST)	30P : 24.0N MAX. / 40P : 32.0N MAX.
UNMATING FORCE (INITIAL / AFTER TEST)	30P : 1.1N MIN. / 40P : 1.4N MIN.
PRODUCT SPECIFICATION	PRS-1878
TEST REPORT	TR-14095, TR-17048
PACKING STANDARD	PST-14087
INSTRUCTION MANUAL	HIM-13010
ASSEMBLY MANUAL	ASM-13003
APPEARANCE CRITERIA No.	QLS-A***

Rev.13

Receptacle Assembly

Recommended P/N	20455-0**E-76 (30P/40P/50P)	20455-A20E-76 (20P)					
PART NO.	Pos.	A	B	C	D	U	
20455-020E-#2	20	9.50	11.30	16.25	14.47	10.20	
20455-030E-##	30	14.50	16.30	21.25	19.47	15.20	
20455-040E-##	40	19.50	21.30	26.25	24.47	20.20	
20455-050E-##	50	24.50	26.30	31.25	29.47	25.20	

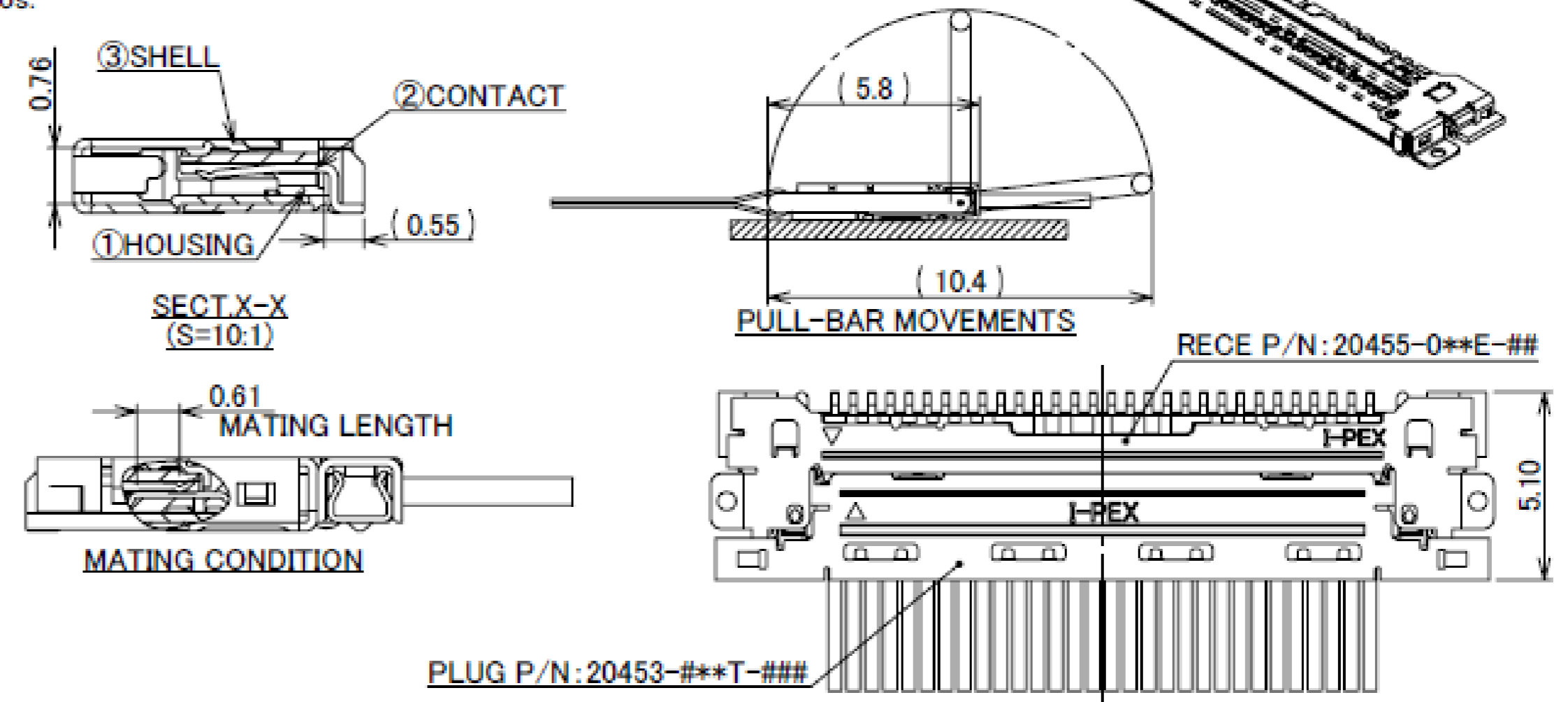
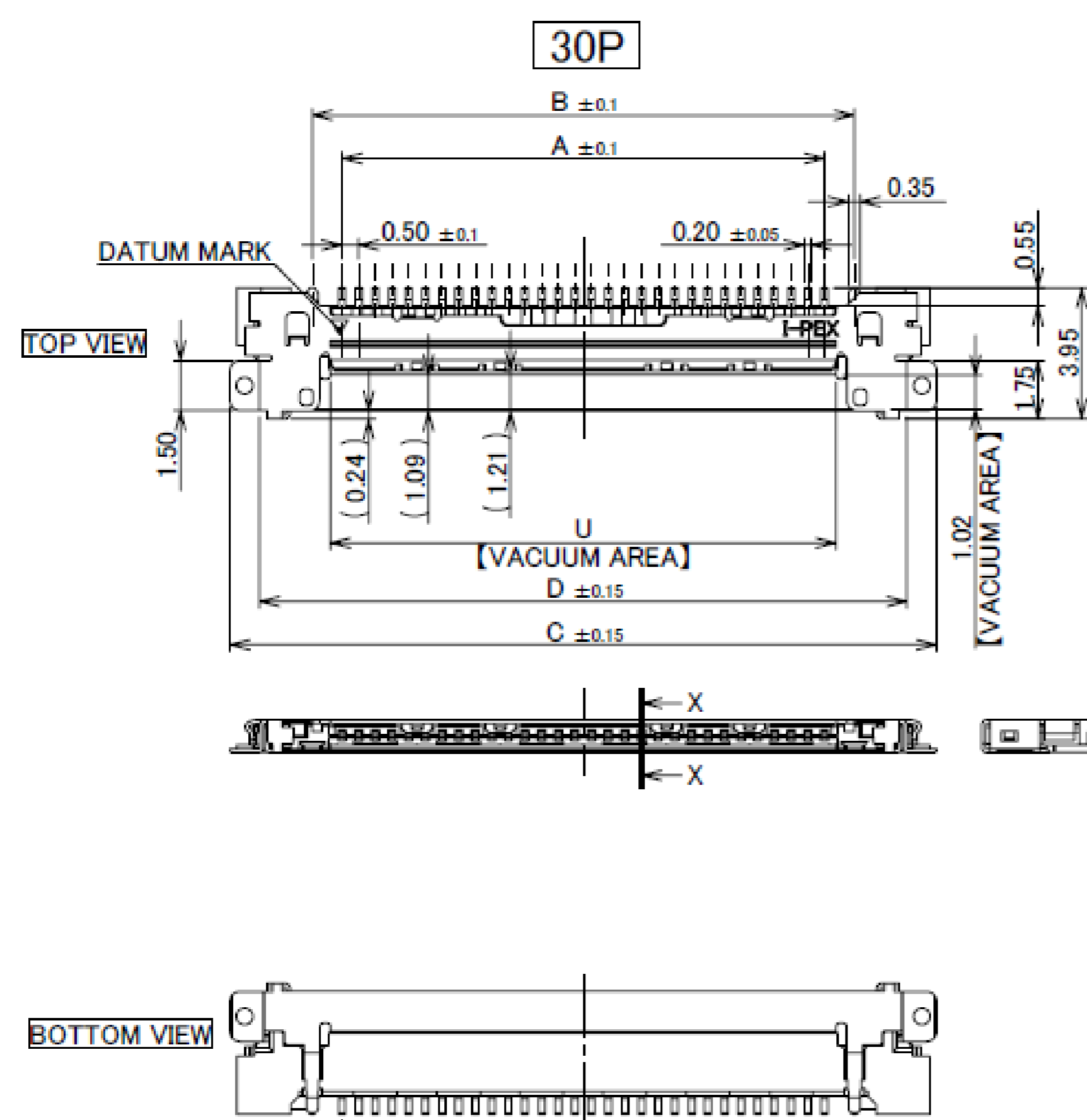


TABLE.1

PART NO.	DATUM MARK	CONTACT FINISH	SHELL FINISH
20455-0**E-02	WITH	CONTACT AREA Au 0.1 μm MIN. OVER Ni 1.00 μm MIN. SOLDERING AREA Au 0.05 μm MIN. OVER Ni 1.00 μm MIN.	Au 0.02 μm MIN. OVER Ni 1.00 μm MIN.
20455-0**E-66	WITH	CONTACT AREA Au 0.1 μm MIN. OVER Ni 1.00 μm MIN. SOLDERING AREA Au 0.05 μm MIN. OVER Ni 1.00 μm MIN.	Au 0.01 μm MIN. OVER Ni 1.00 μm MIN.
20455-0**E-76	WITHOUT	CONTACT AREA Au 0.1 μm MIN. OVER Ni 1.00 μm MIN. SOLDERING AREA Au 0.05 μm MIN. OVER Ni 1.00 μm MIN.	

NO.	DISCRIPTION	MATERIAL	FINISH , REMARKS
3	SHELL	PHOSPHOR BRONZE	SEE ABOVE TABLE.1
2	CONTACT	PHOSPHOR BRONZE	SEE ABOVE TABLE.1
1	HOUSING	LCP	UL94V-0, BLACK

Rev.31

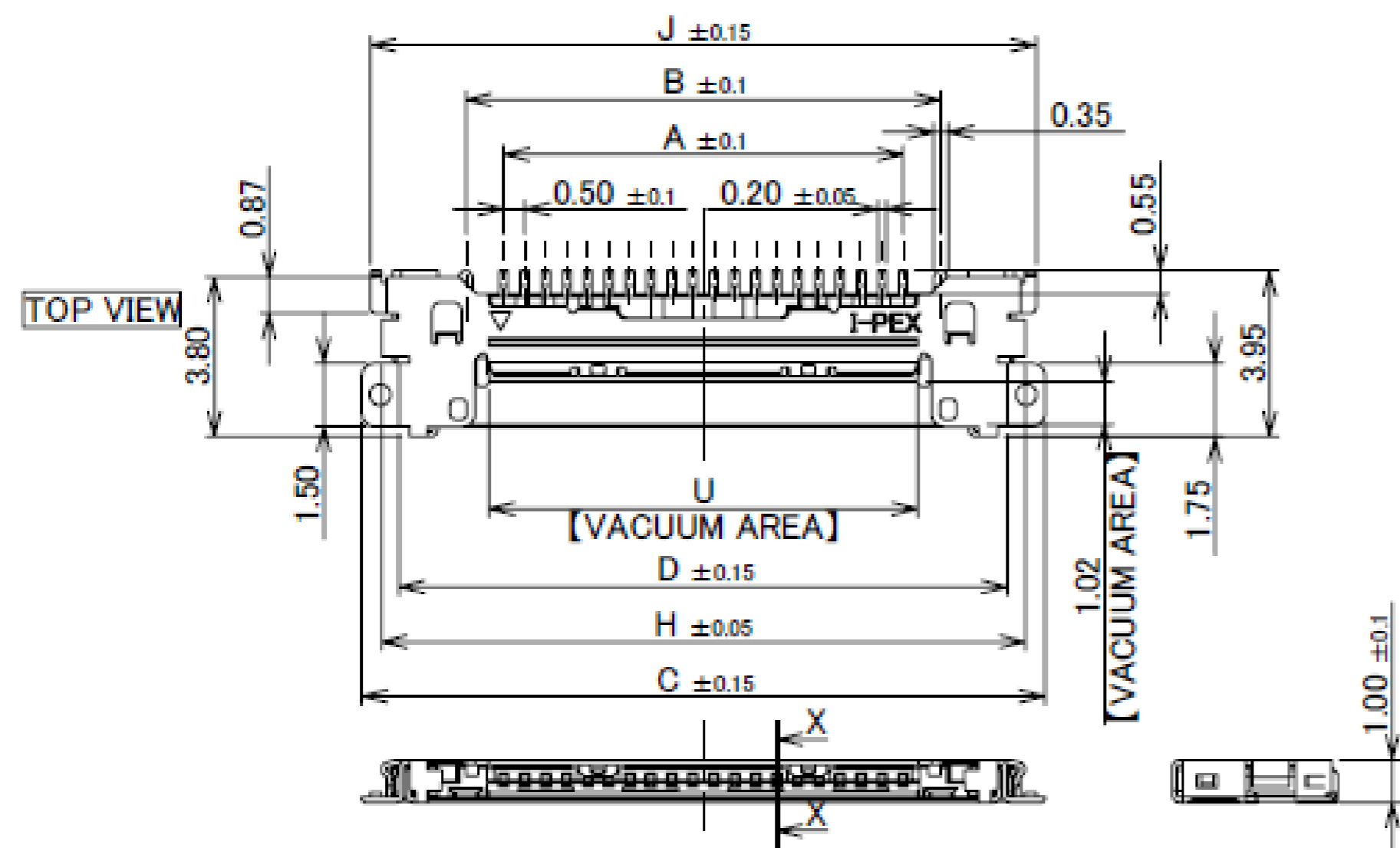
Receptacle Assembly

Recommended P/N	20455-0**E-76 (30P/40P/50P)								20455-A20E-76 (20P)	
PART NO.	Pos.	A	B	C	D	H	J	U		
20455-A20E-##	20	9.50	11.30	16.25	14.47	15.32	15.84	10.20		

P/N:20455-A20E-##
A: TYPE-A
SEE TABLE.2



TYPE-A



BOTTOM VIEW

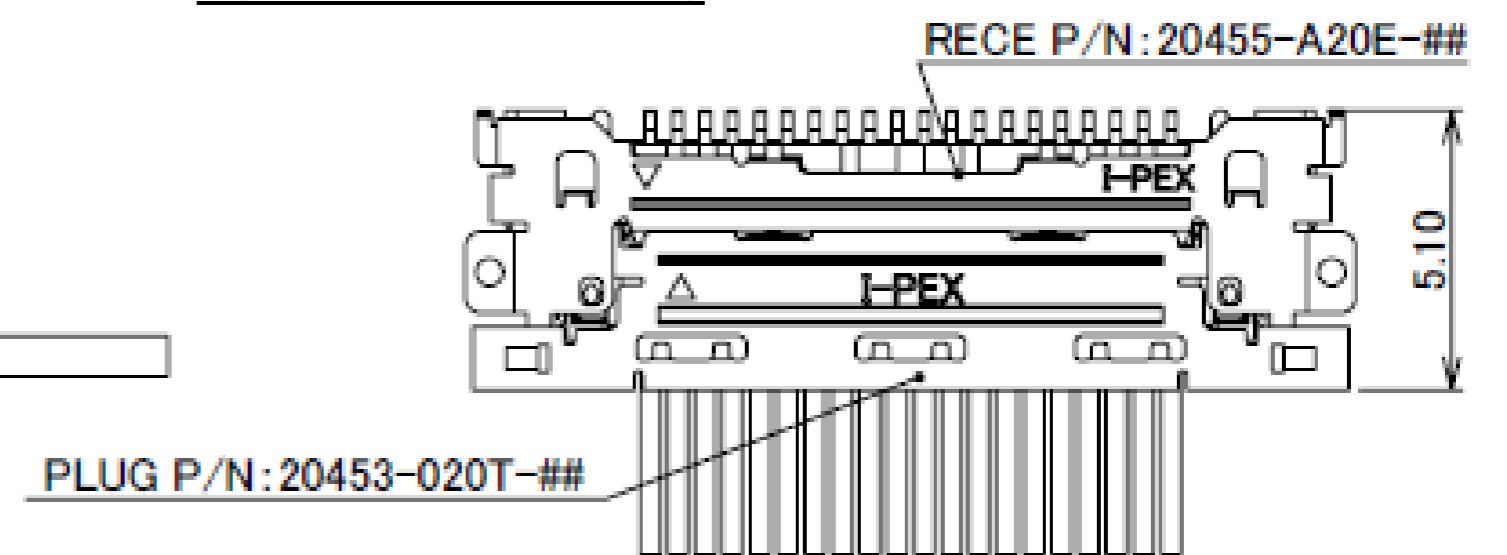
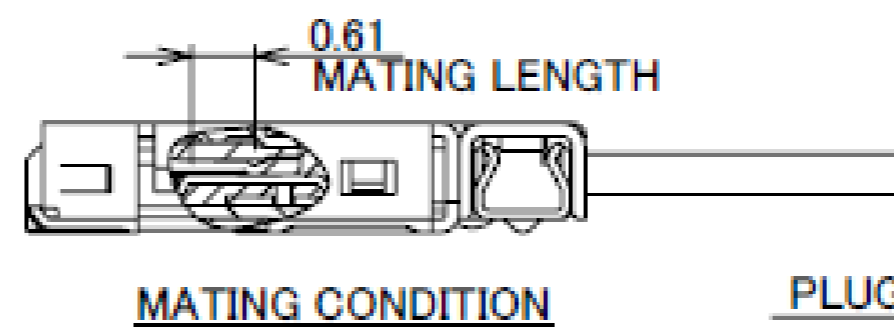
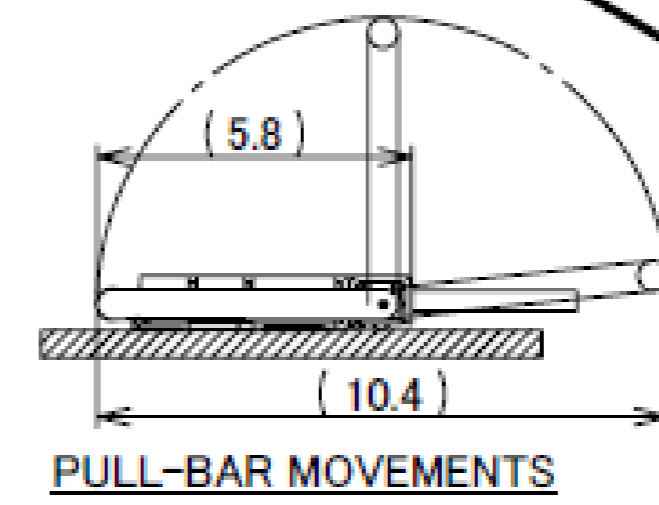
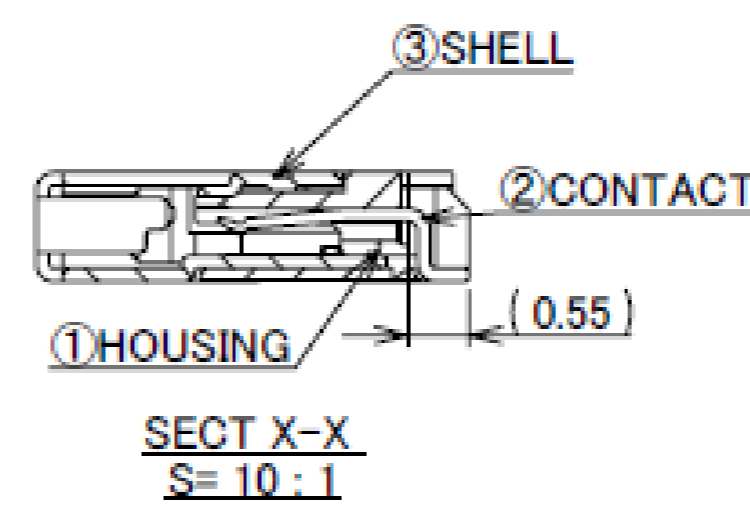
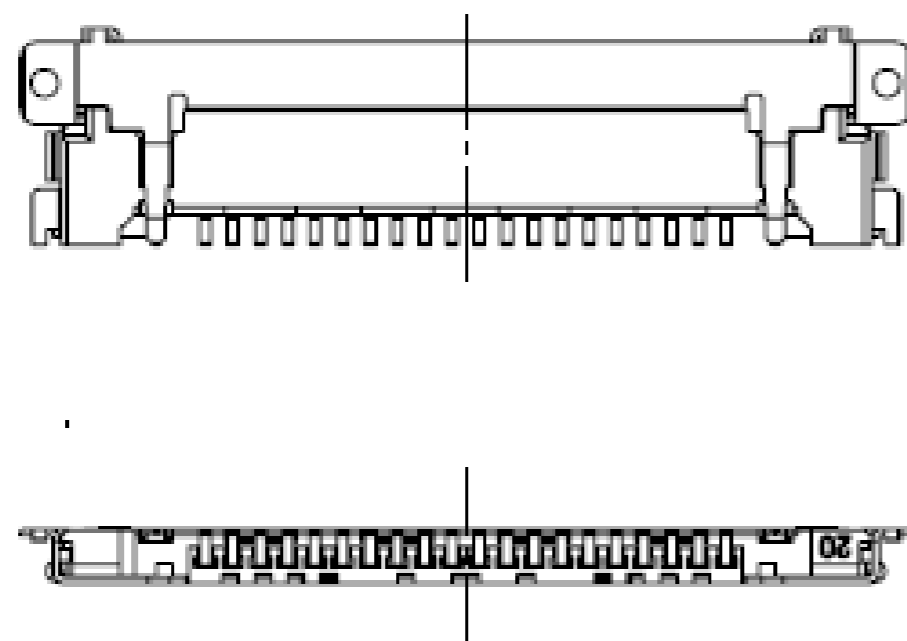


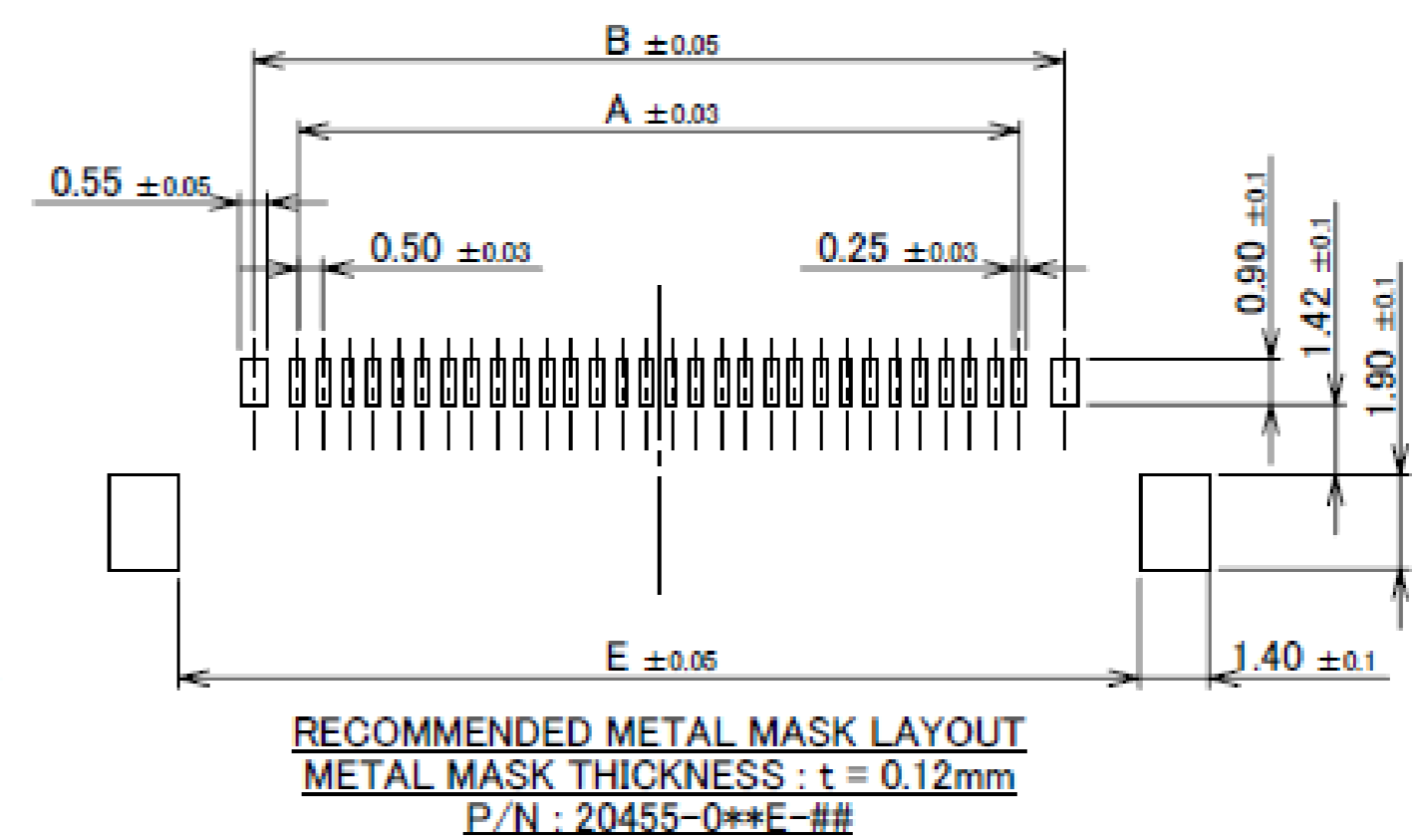
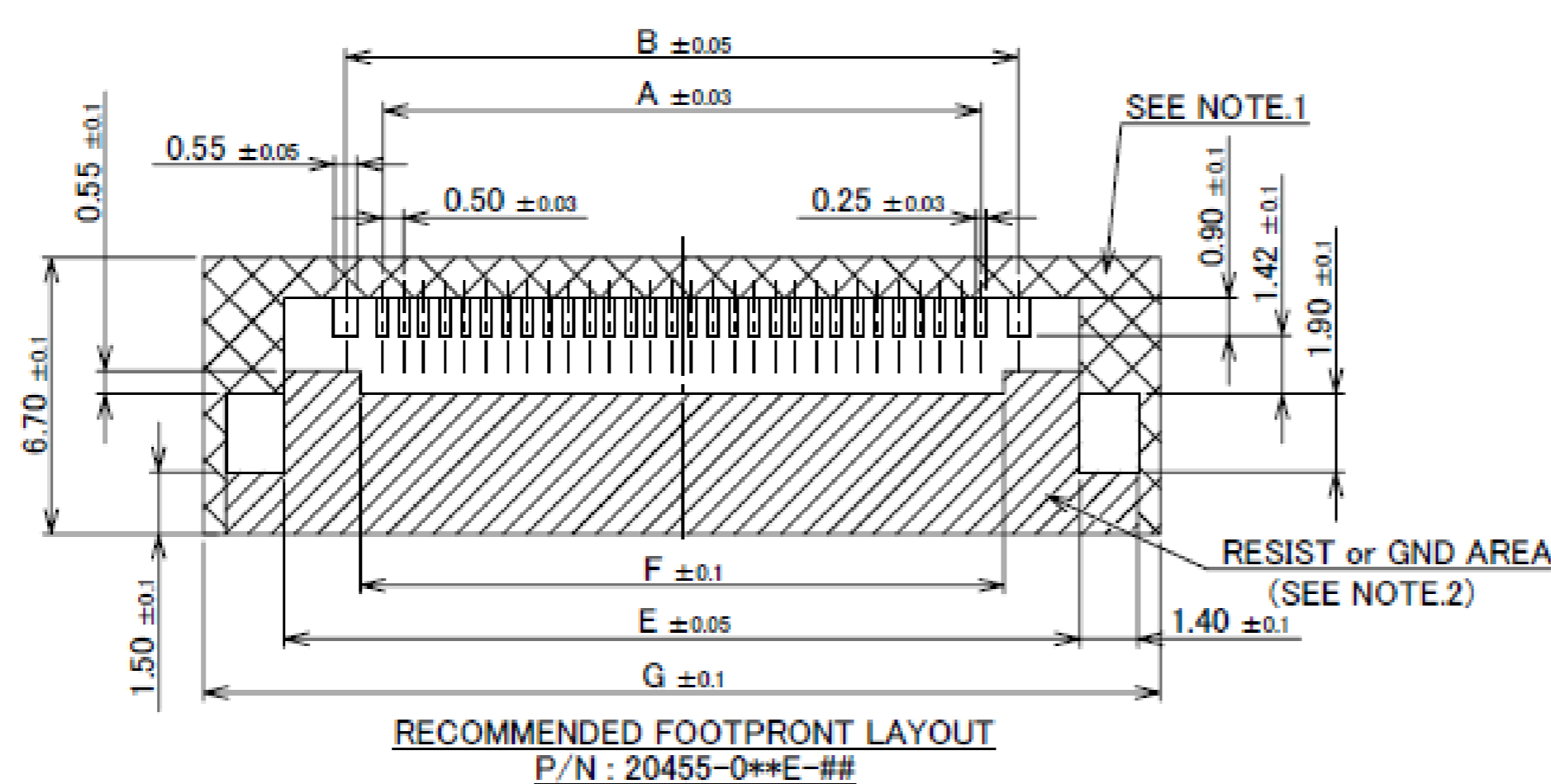
TABLE.2

PART NO.	DATUM MARK	CONTACT FINISH	SHELL FINISH
20455-A20E-02	WITH	CONTACT AREA Au 0.1 μm MIN. OVER Ni 1.00 μm MIN. SOLDERING AREA Au 0.05 μm MIN. OVER Ni 1.00 μm MIN.	Au 0.02 μm MIN. OVER Ni 1.00 μm MIN.
20455-A20E-12	WITHOUT	CONTACT AREA Au 0.1 μm MIN. OVER Ni 1.00 μm MIN. SOLDERING AREA Au 0.05 μm MIN. OVER Ni 1.00 μm MIN.	Au 0.01 μm MIN. OVER Ni 1.00 μm MIN.
20455-A20E-66	WITH	CONTACT AREA Au 0.1 μm MIN. OVER Ni 1.00 μm MIN. SOLDERING AREA Au 0.05 μm MIN. OVER Ni 1.00 μm MIN.	Au 0.01 μm MIN. OVER Ni 1.00 μm MIN.
20455-A20E-76	WITHOUT	CONTACT AREA Au 0.1 μm MIN. OVER Ni 1.00 μm MIN. SOLDERING AREA Au 0.05 μm MIN. OVER Ni 1.00 μm MIN.	Au 0.01 μm MIN. OVER Ni 1.00 μm MIN.

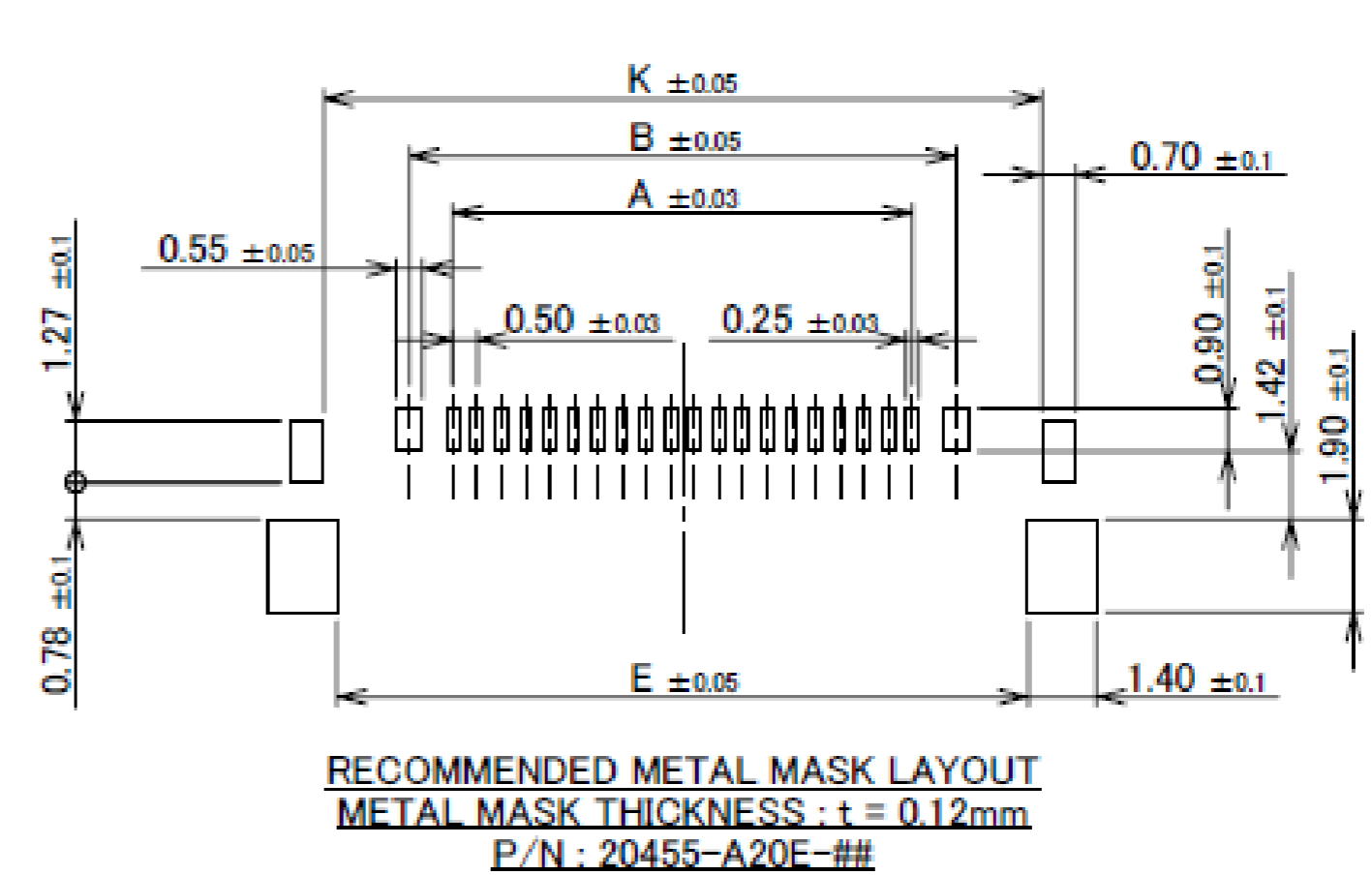
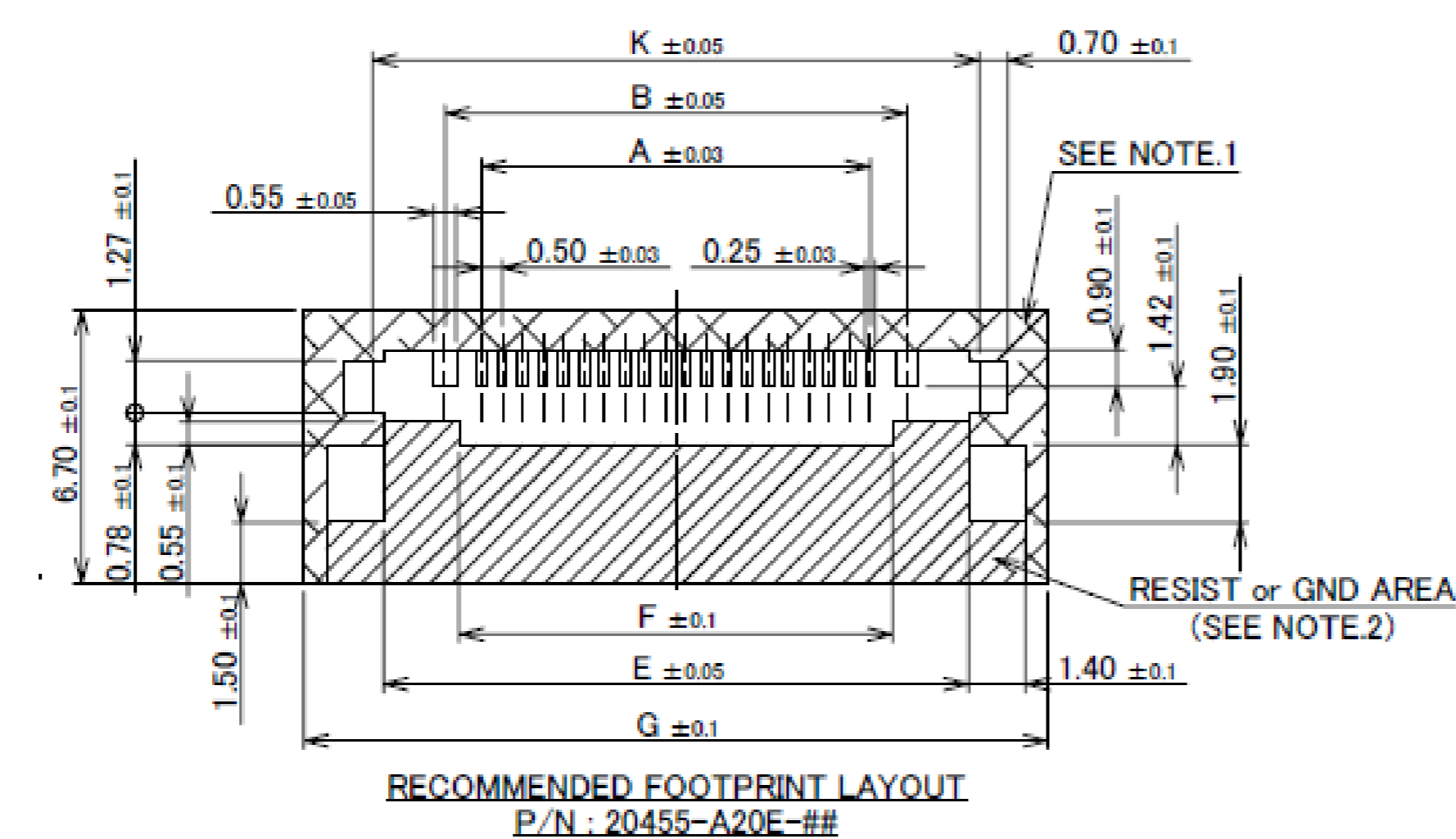
NO.	DISCRIPTION	MATERIAL	FINISH, REMARKS
3	SHELL	PHOSPHOR BRONZE	SEE ABOVE TABLE.1
2	CONTACT	PHOSPHOR BRONZE	SEE ABOVE TABLE.1
1	HOUSING	LCP	UL94V-0, BLACK

Rev.31

PART NO.	Pos.	A	B	E	F	G	H	J	K
20455-#20E-##	20	9.50	11.30	14.30	10.60	18.20	15.32	15.84	14.84
20455-030E-##	30	14.50	16.30	19.30	15.60	23.20	-	-	-
20455-040E-##	40	19.50	21.30	24.30	20.60	28.20	-	-	-
20455-050E-##	50	24.50	26.30	29.30	25.60	33.20	-	-	-



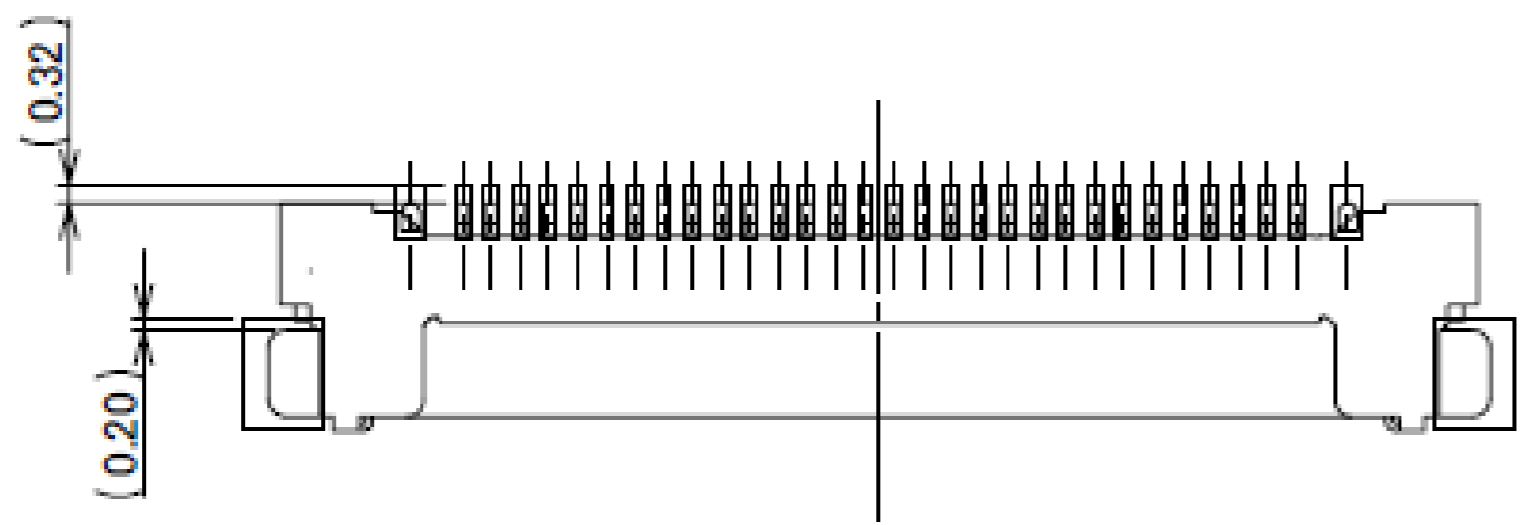
TYPE-A



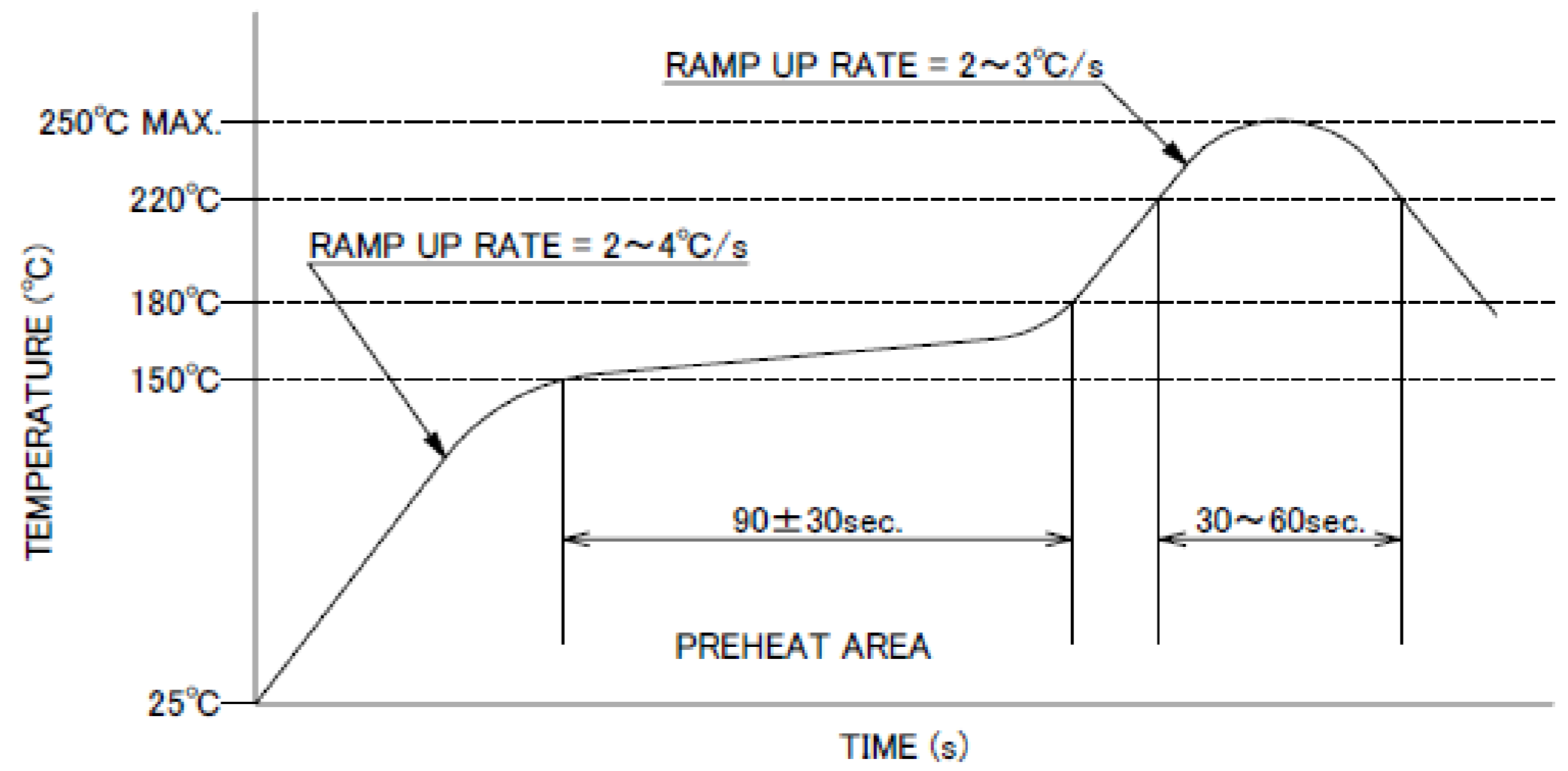
NOTES.
1. IN CASE OF PLUG WITH PULL-BAR, DO NOT MOUNT ANOTHER COMPONENT IN THIS AREA.
2. SOLDER RESIST MUST BE APPLIED TO THIS AREA.

Rev.31

Receptacle Assembly

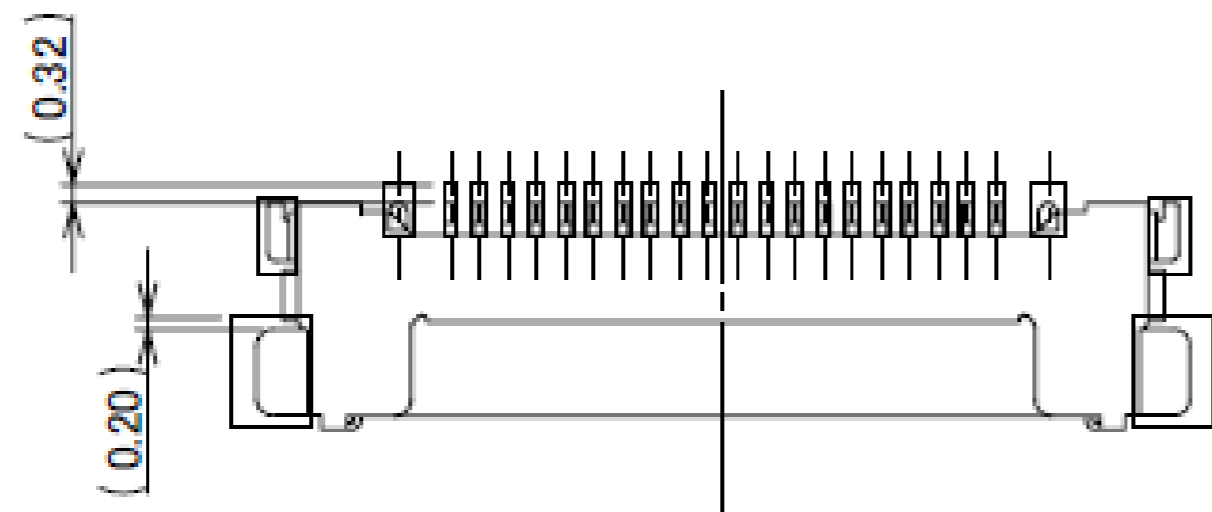


CONNECTOR ON RECOMMENDED FOOTPRINT PATTERN
P/N : 20455-0**E-##



REFLOW TEMPERATURE PROFILE
SENJU METAL INDUSTRY CO., LTD. : M705-SHF(Sn96.5 Ag3.0 Cu0.5)

TYPE-A



CONNECTOR ON RECOMMENDED FOOTPRINT PATTERN
P/N : 20455-A20E-##

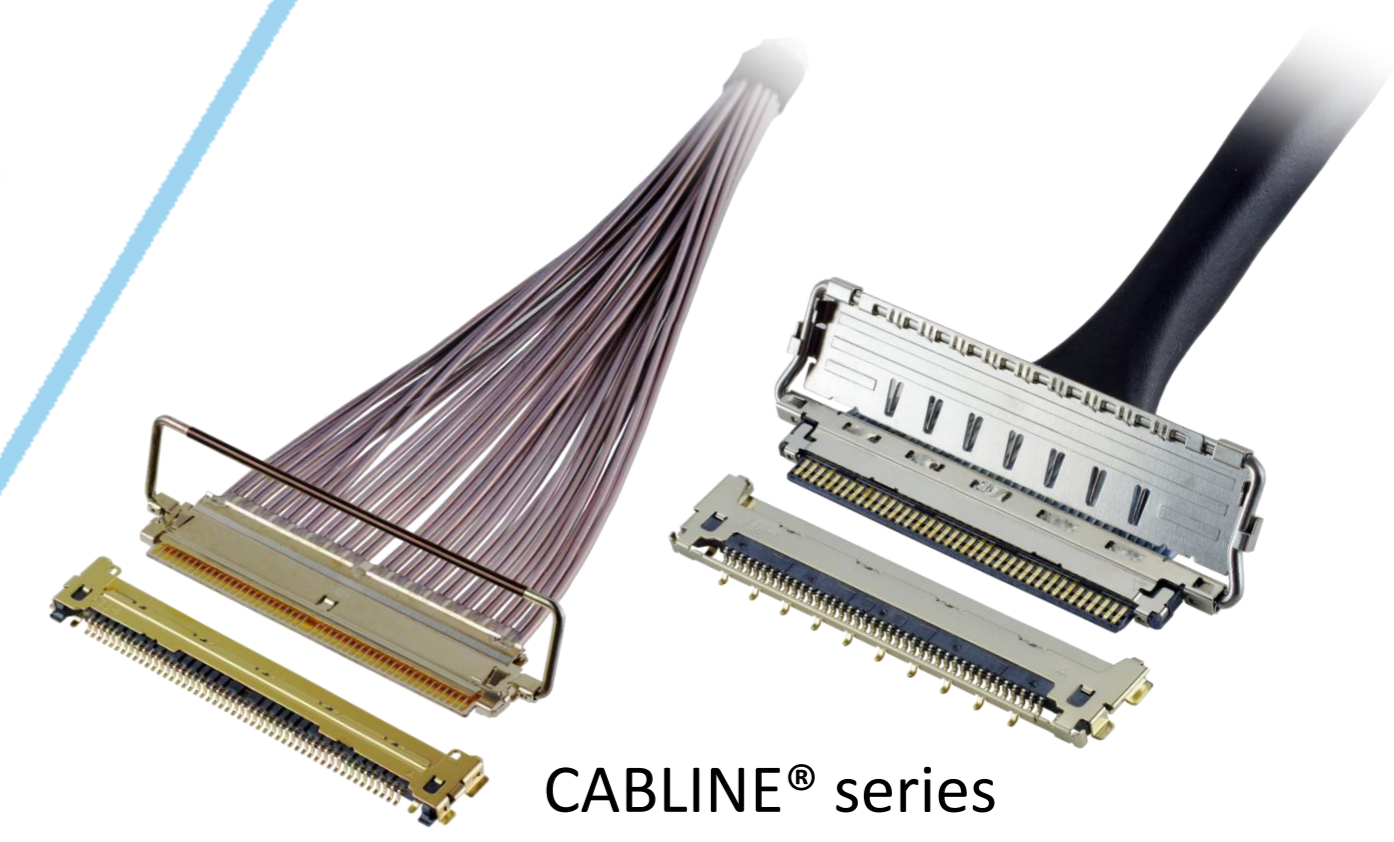
Custom Connectors Available

 RF Connector

MHF® series



CABLINÉ® series
Micro-coaxial/Twinax/
Discrete Wire Connector



Optical Module

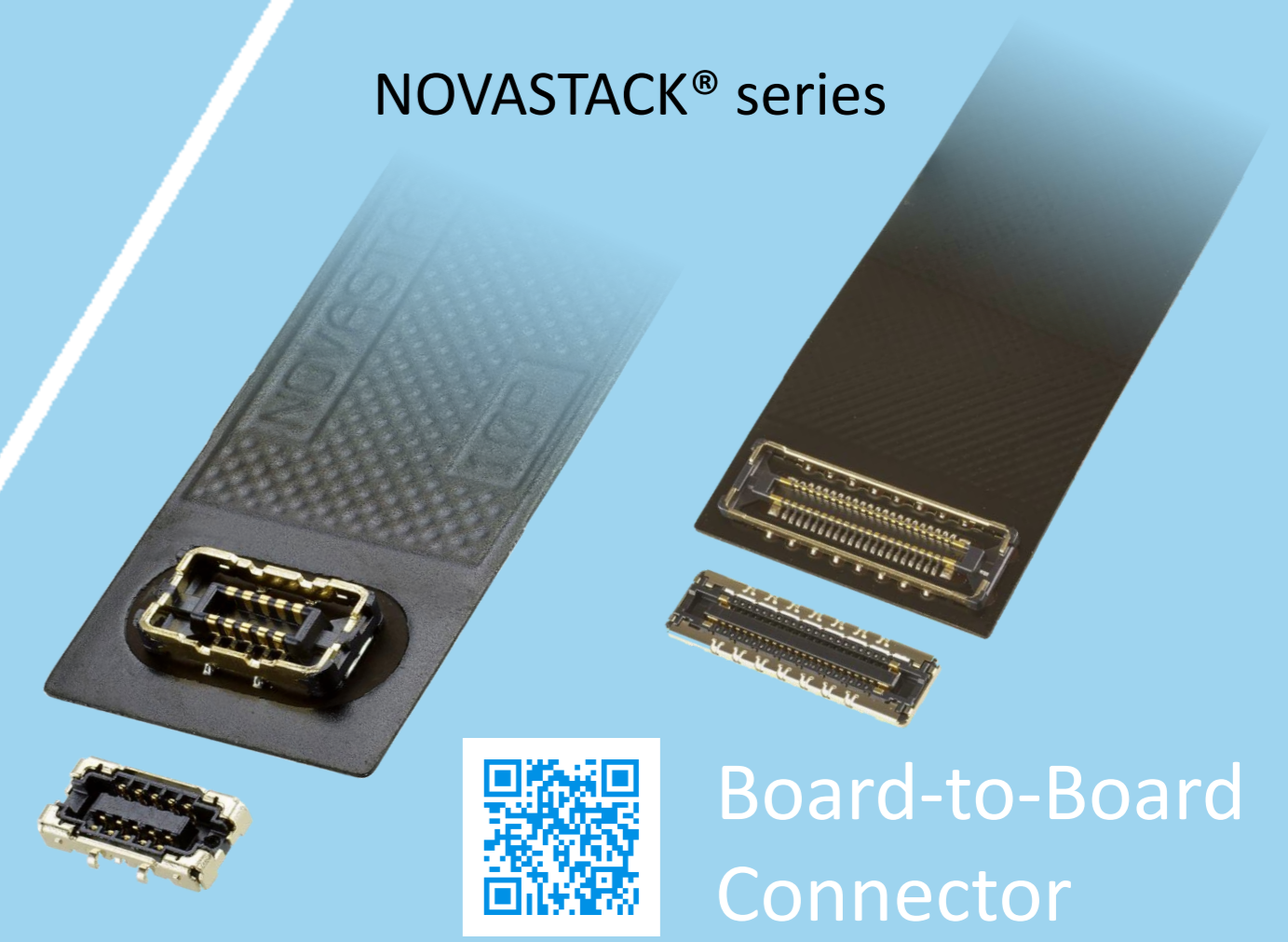
LIGHTPASS® series



NOVASTACK® series



Board-to-Board Connector



Power Connector/
Terminal

AP series

ISH® series



MINIFLEX® series

EVAFLEX® series



FPC FFC Connector



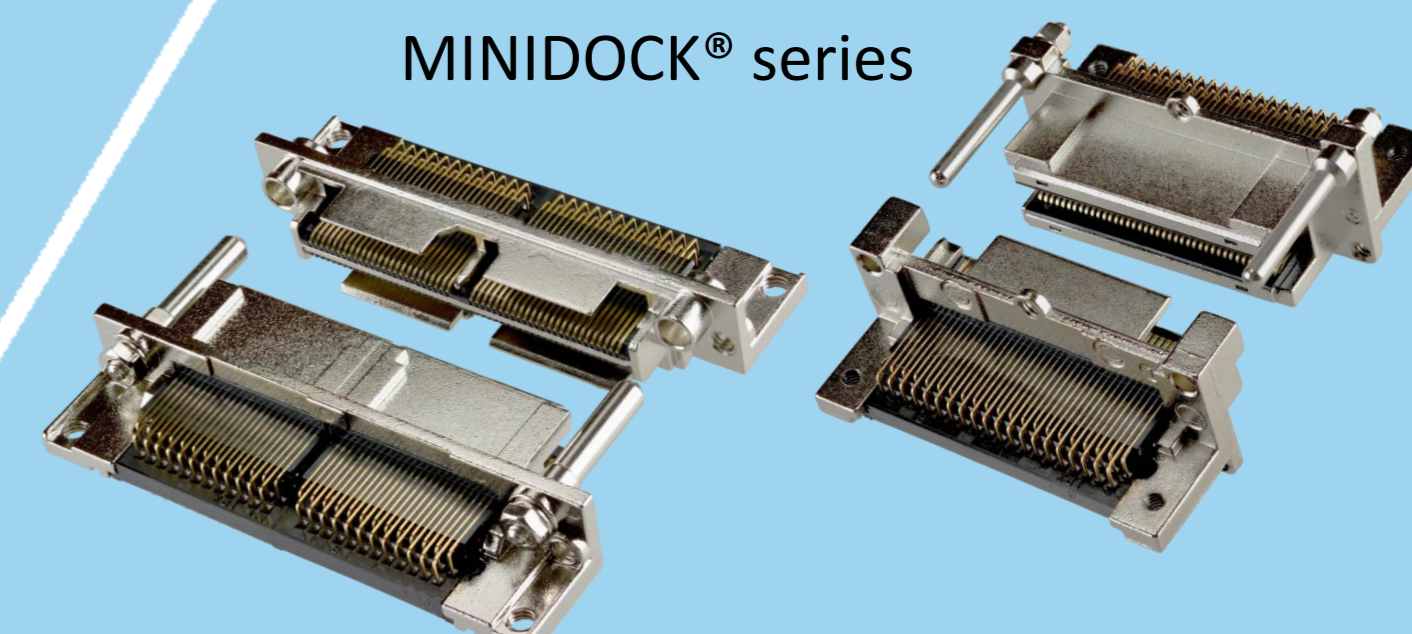
Inquiry



MINIDOCK® series



I/O Connector



I-PEX, MHF, CABLINE, LIGHTPASS, NOVASTACK, ISH, IARPB, MINIFLEX, EVAFLEX, MINIDOCKS and ZenShield are registered trademarks of I-PEX Inc. Please note that the contents in the catalog might be changed without prior notification. I-PEX Inc. assumes no responsibility for any inaccuracies or obligation to update information on these documents. Please be sure to read and understand the latest "Precautions for Use" and "Instruction Manual" before you use our products. We shall not be responsible for any defects, damages or troubles in case you use our products without following the precautions for use. Please feel free to contact our sales representatives when you use our products for any applications that require very high reliability and safety, or that relate to human life (ex. nuclear power control, aerospace, transportation, medical equipment, safety equipment etc.).

Contact your sales representative or more detailed information.

www.i-pex.com



I-PEX

© I-PEX Inc. 2024
All rights reserved