

CABLIN[®]- UY

저배(높이 = 0.76 mm), 협피치(0.35 mm Pitch), Right Angle형 Vertical 방향 결합 타입, 세션 동축 케이블 커넥터

Product Specifications:

Mating type	Right angle vertical	
Board Pitch (mm)	0.35	
Wiping Length (mm)	0.1	
Mated size (mm)	Height	0.76 +/- 0.06
	Width	Formula: 2.15 + (0.35 * ?p)
	Depth	3.10
Pin Counts	Range	Up to 25p
	Available	5, 10p

Applicable Cable Size:

Maximum O.D. (mm)	0.35
Micro-Coaxial for Signal (AWG)	45 ohm: #40 or smaller 50 ohm: #42 or smaller
Twinax (AWG)	-
Discrete (AWG)	#36 or smaller

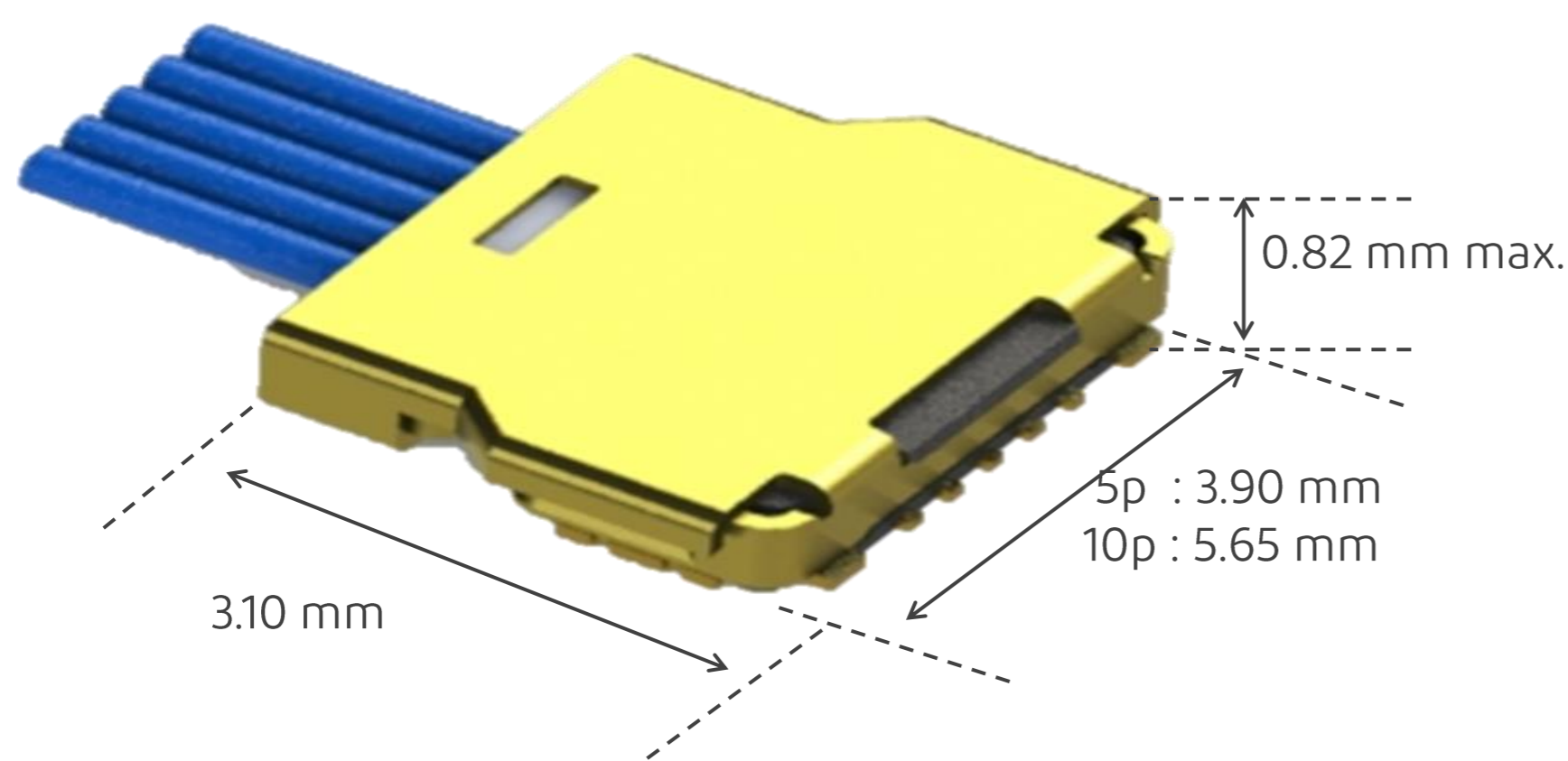
Applicable Standards (Reference Only):

USB4 Gen4 (40Gbps/Lane PAM3)
USB4 Gen3/ Thunderbolt 4 (20 Gbps/lane)
eDP HBR 3 (8.1 Gbps)

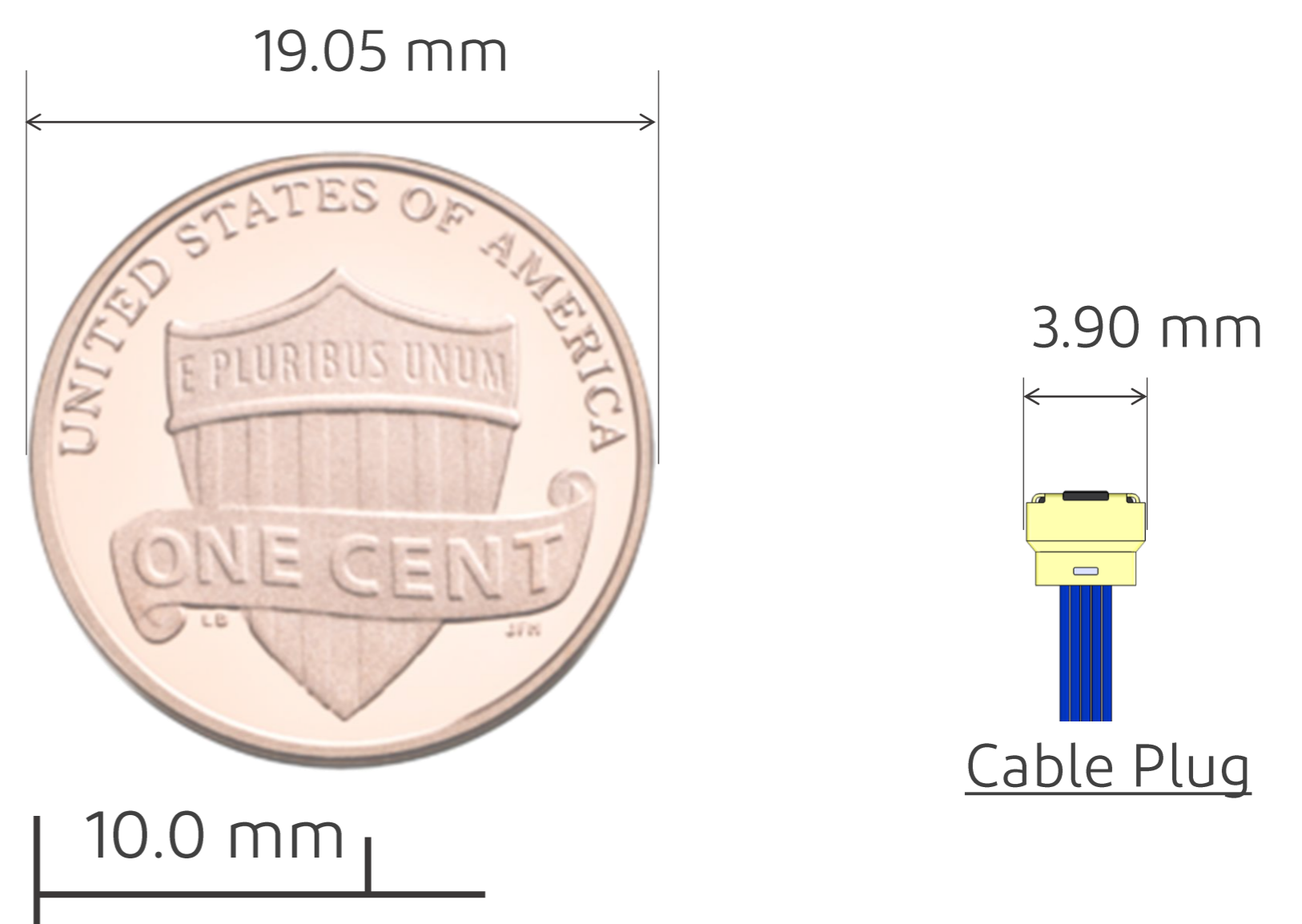


▶ 소형 저배 사이즈로 협소한 공간에 최적

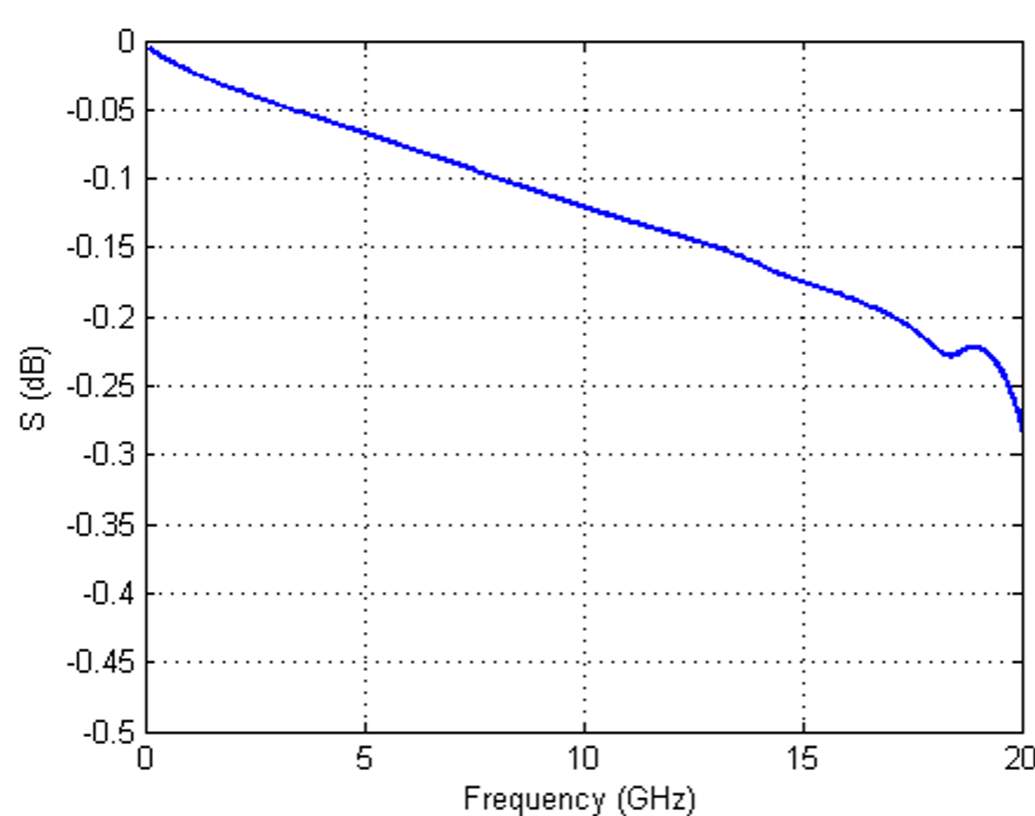
커넥터 결합 상태의 Size



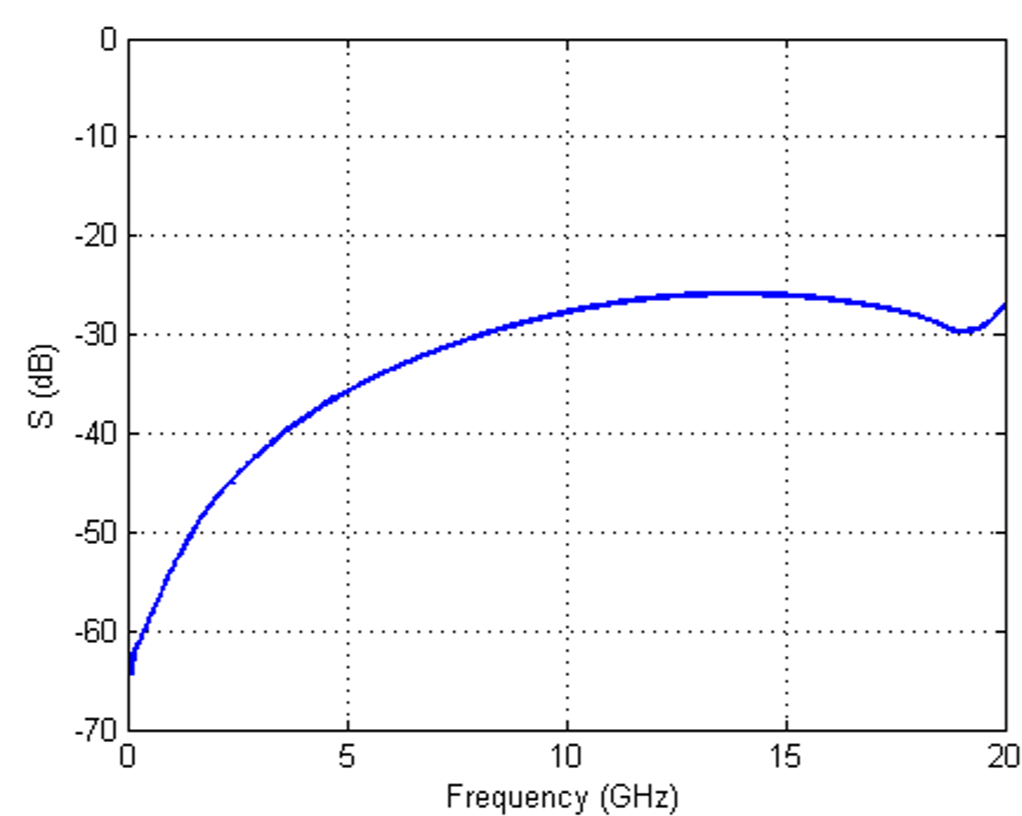
One-cent 동전과 5p Plug의 Size 비교 이미지



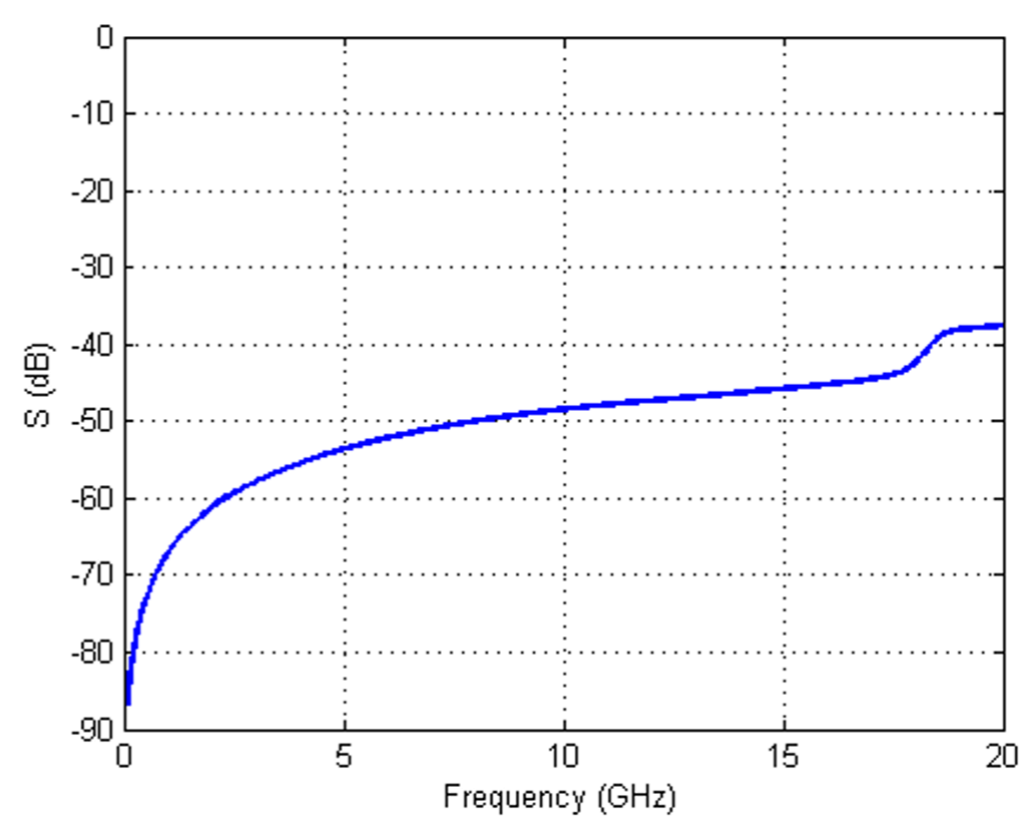
▶ 우수한 차동 SI 성능(32Gbps/Lane)



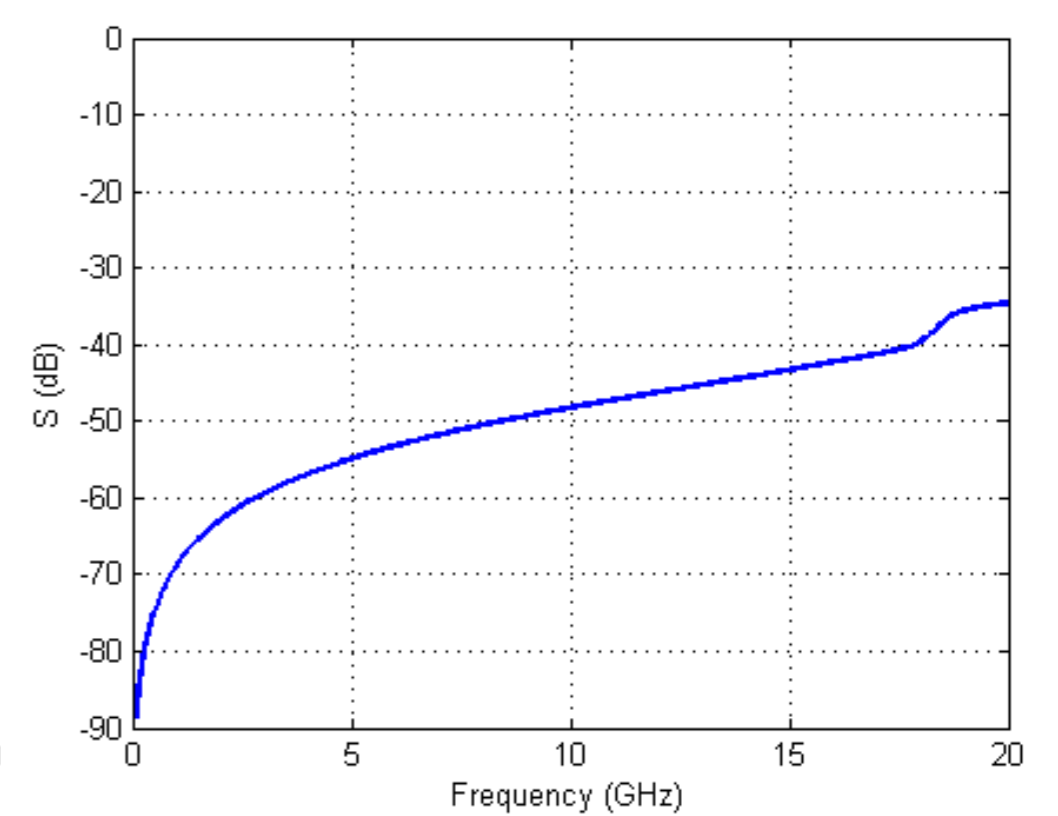
Insertion Loss



Return Loss



Near-End Crosstalk



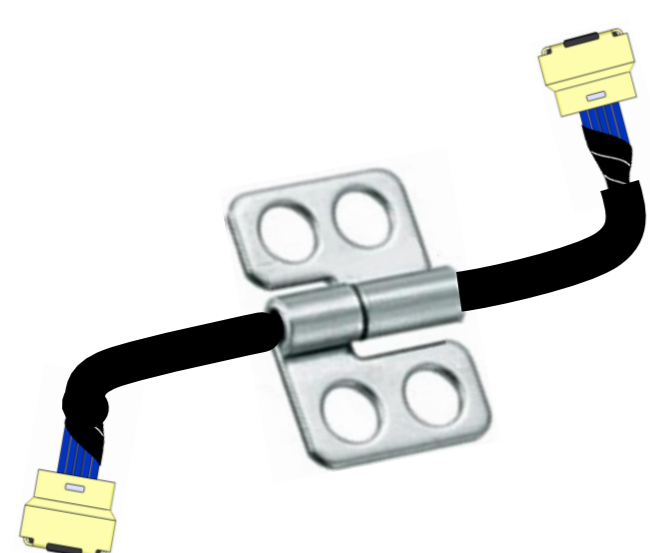
Far-End Crosstalk

시뮬레이션 소프트웨어 : ANSYS Electronics Desktop 2021 R1
시뮬레이션 모델 : 케이블 Plug + Rec.
주파수 범위 : 0.1 - 20 GHz

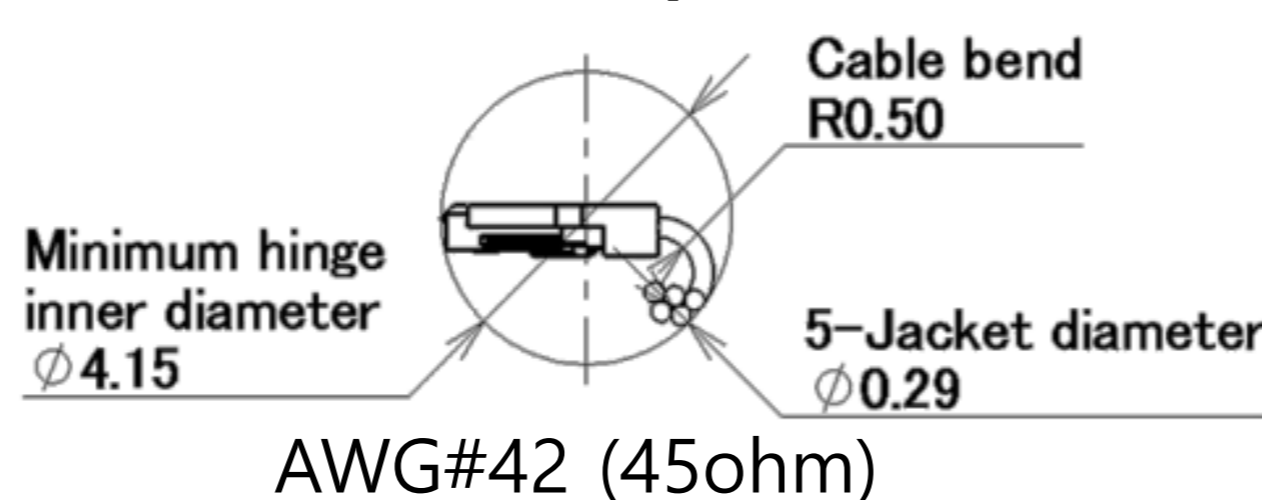
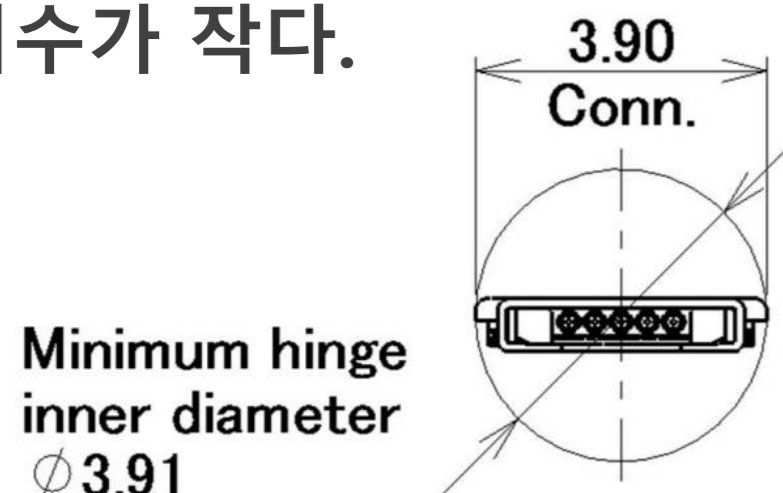
데이터 포맷 : Touchstone Data (.s8p)
레퍼런스 임피던스 : 90 Ohms differential
Pin 어사인먼트 : GSSGSSG

▶ 작은구경의 힌지를 통과시킬 수 있도록 한 슬림한 디자인

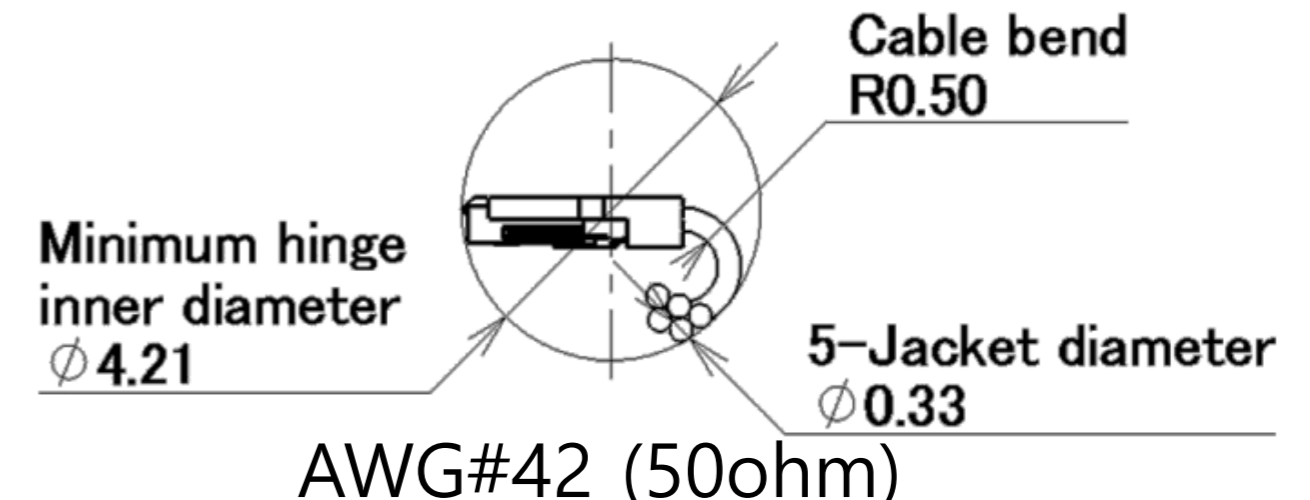
시뮬레이션 결과(5p이상) : 본딩이 없는 경우의 통과할 수 있는 최소 힌지직경(mm)



시뮬레이션결과 (5P) : 케이블을 구부리지 않는 것이 치수가 작다.

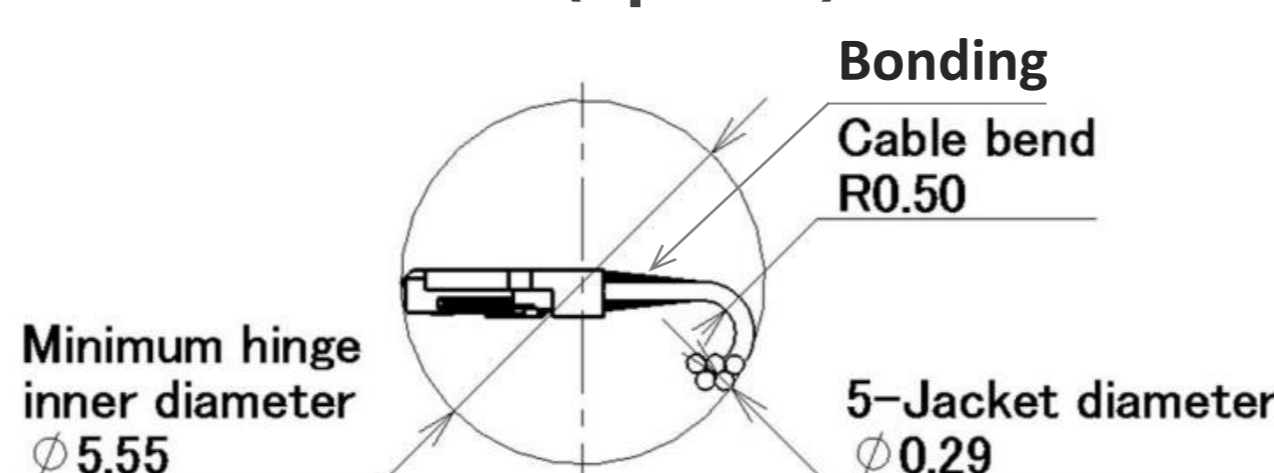


AWG#42 (45ohm)

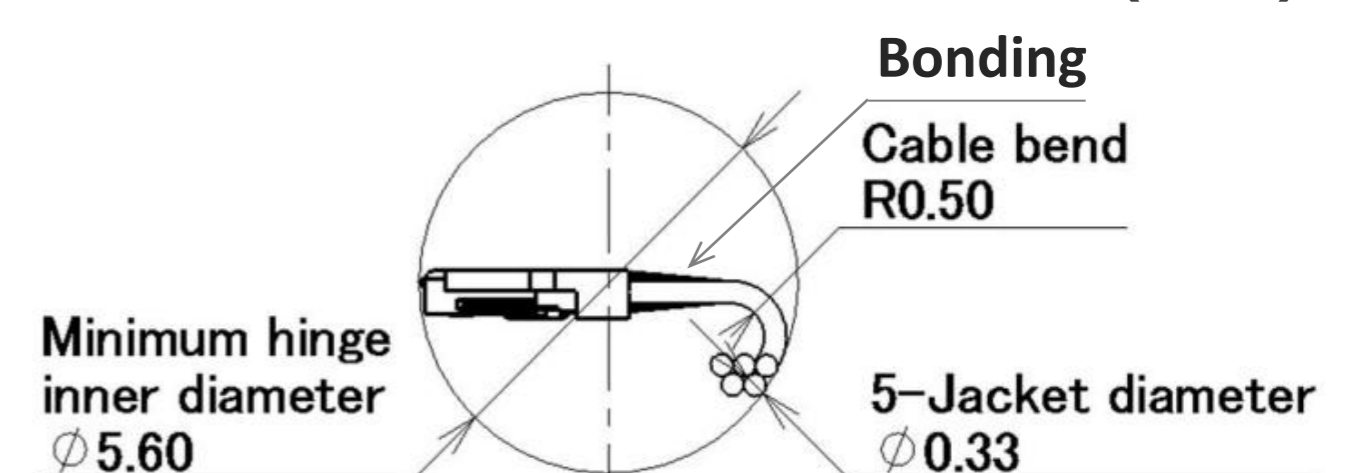


AWG#42 (50ohm)

시뮬레이션 결과(5p이상) : 본딩이 있는 경우의 통과할 수 있는 최소 힌지직경(mm)



AWG#42 (45ohm)

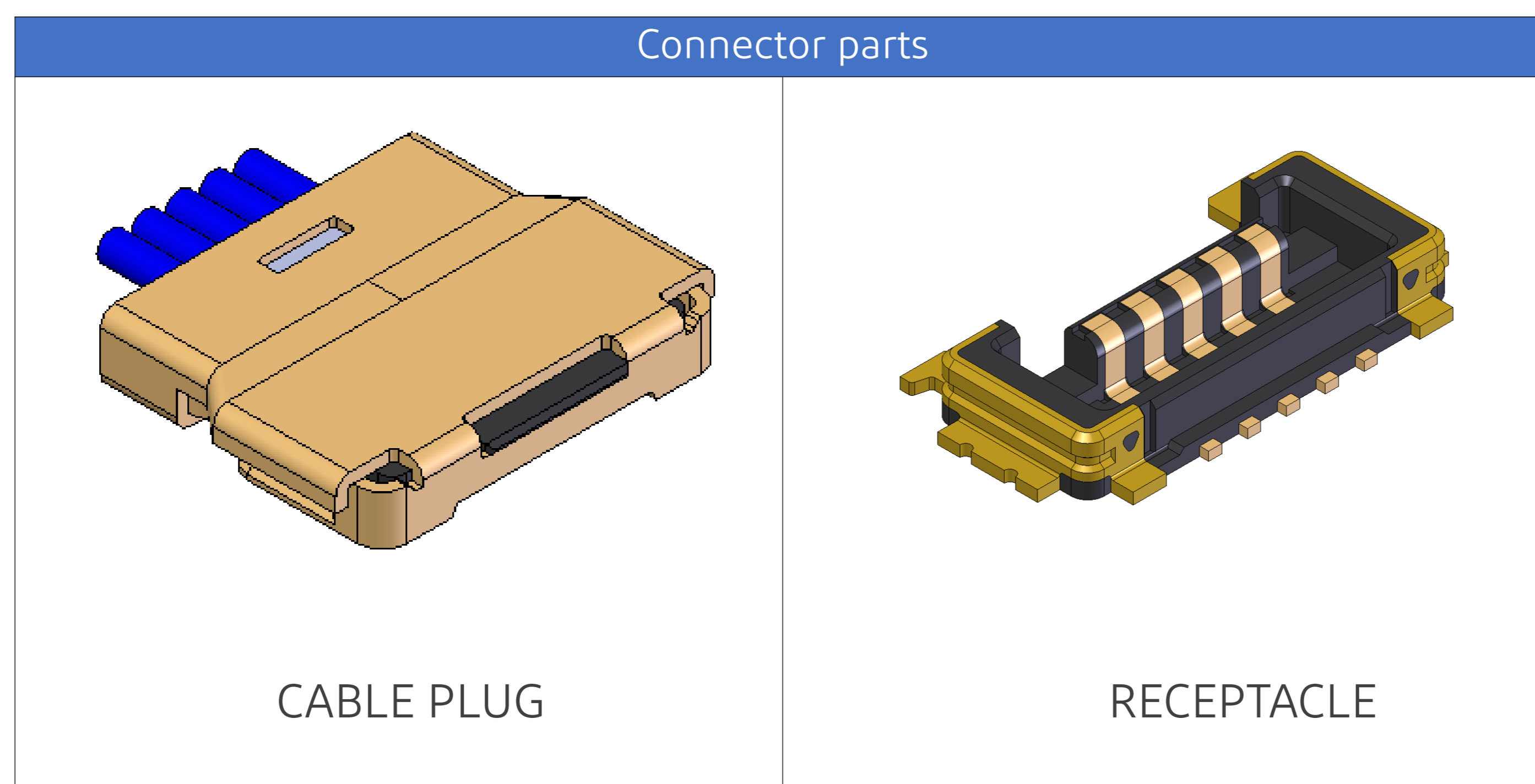


AWG#42 (50ohm)

자세한 내용은 영업 담당자에게 문의하십시오. www.i-plex.com

Component Parts Details

Component Parts

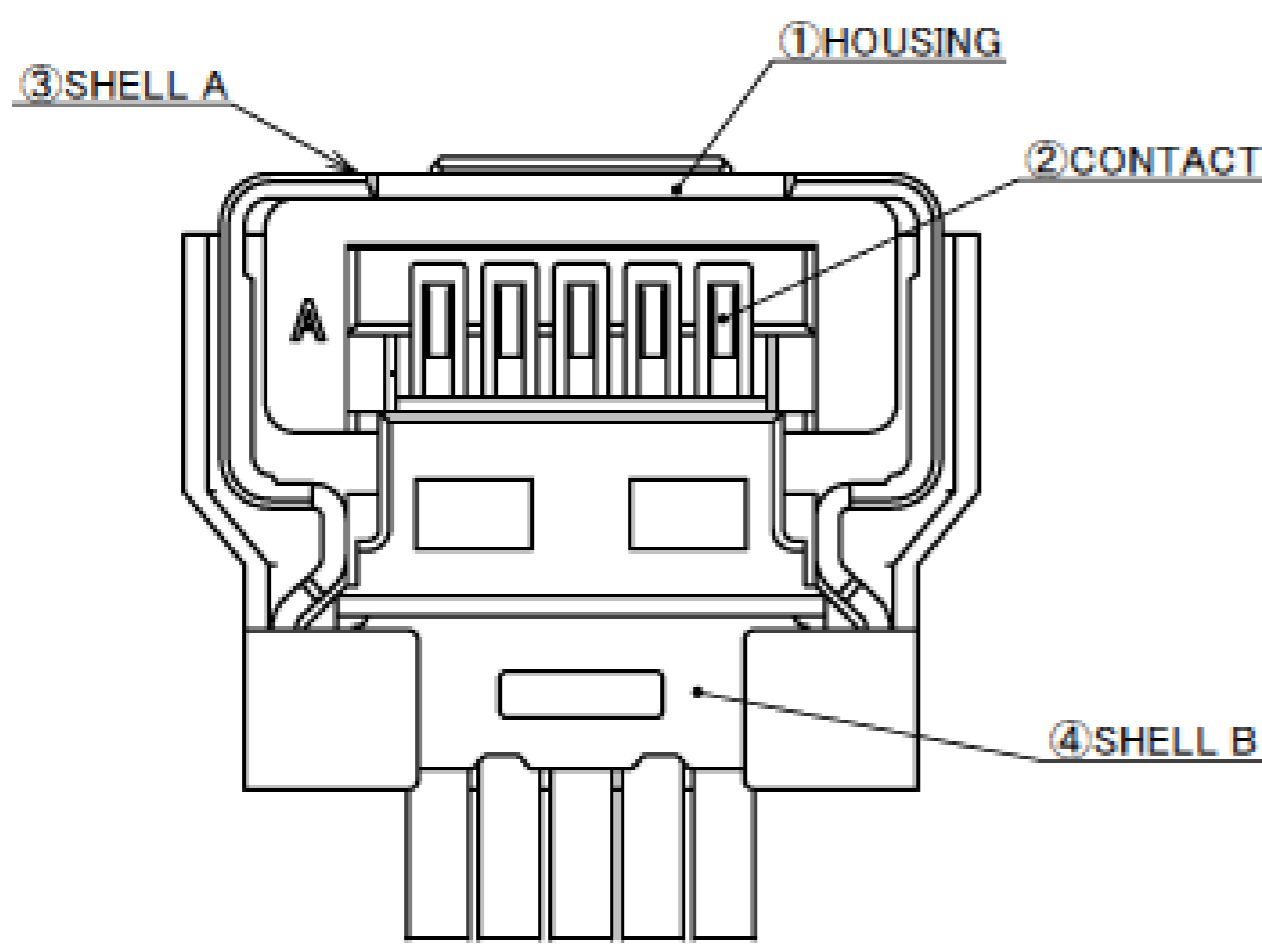
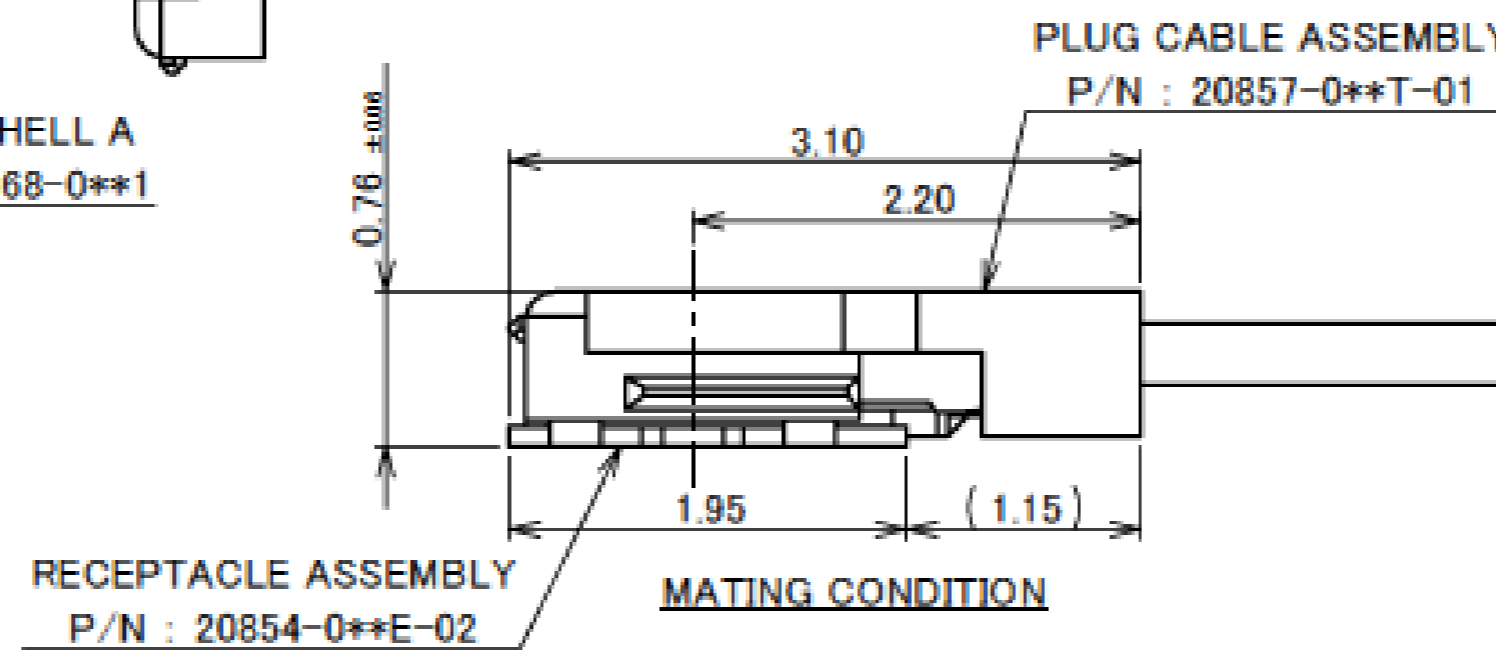
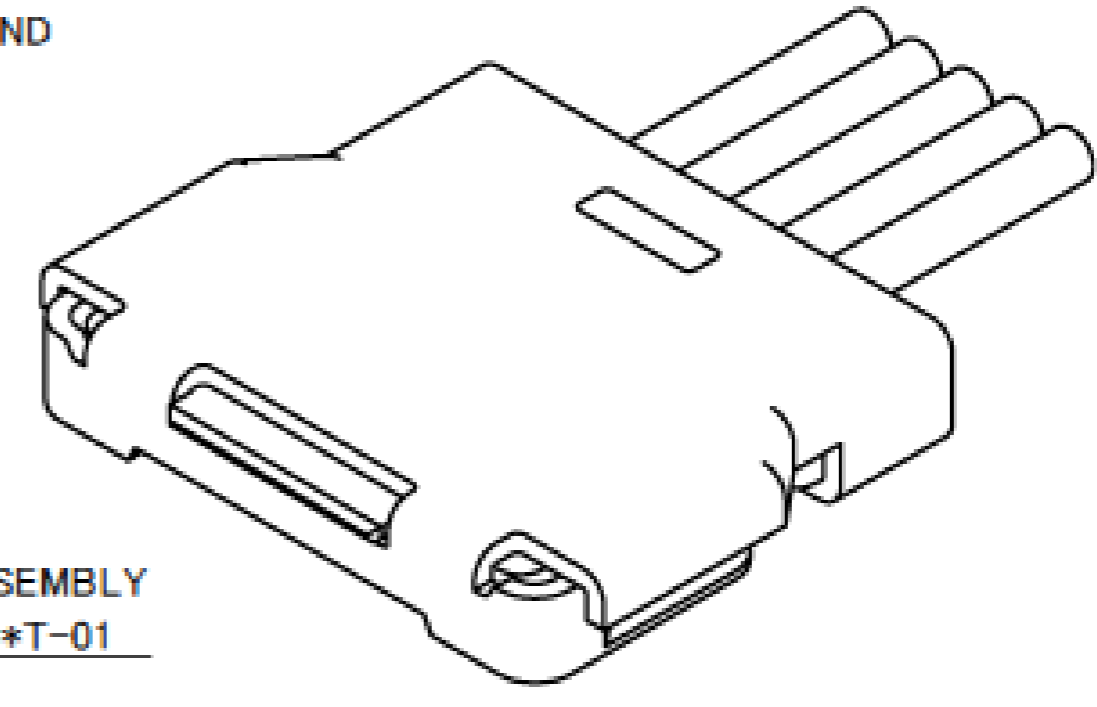
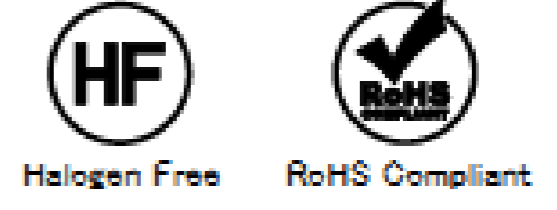
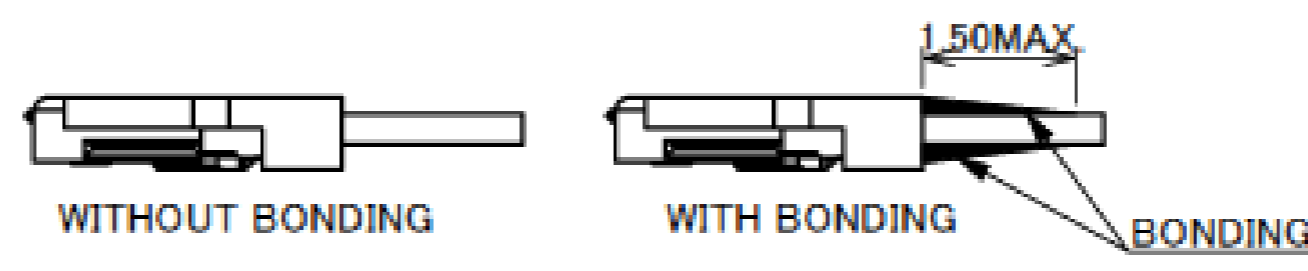
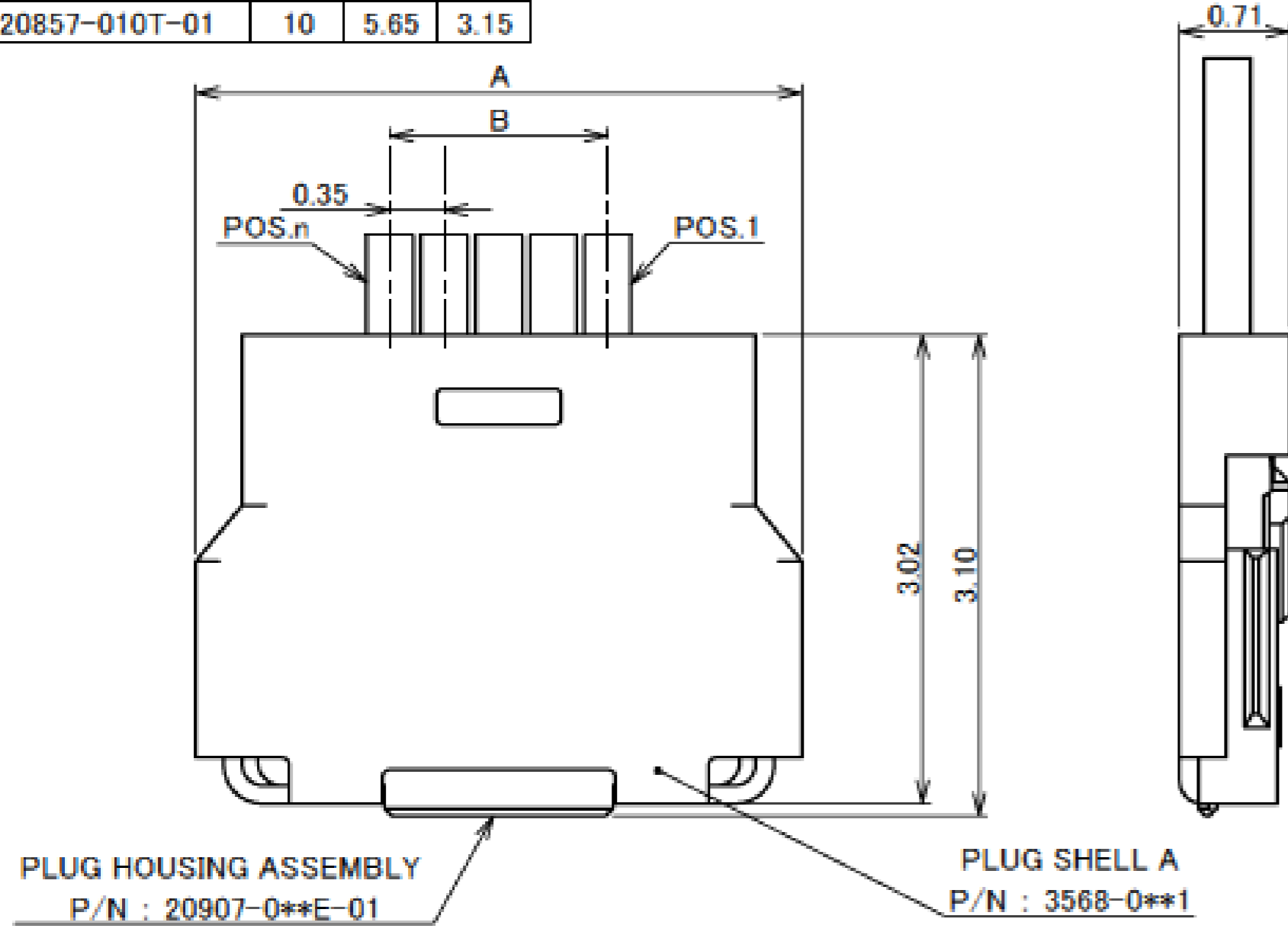


Plug for Cable Assembly

Recommended P/N		20857-0**T-01	
PART NO.	Pos.	A	B

20857-005T-01	5	3.90	1.40
20857-010T-01	10	5.65	3.15

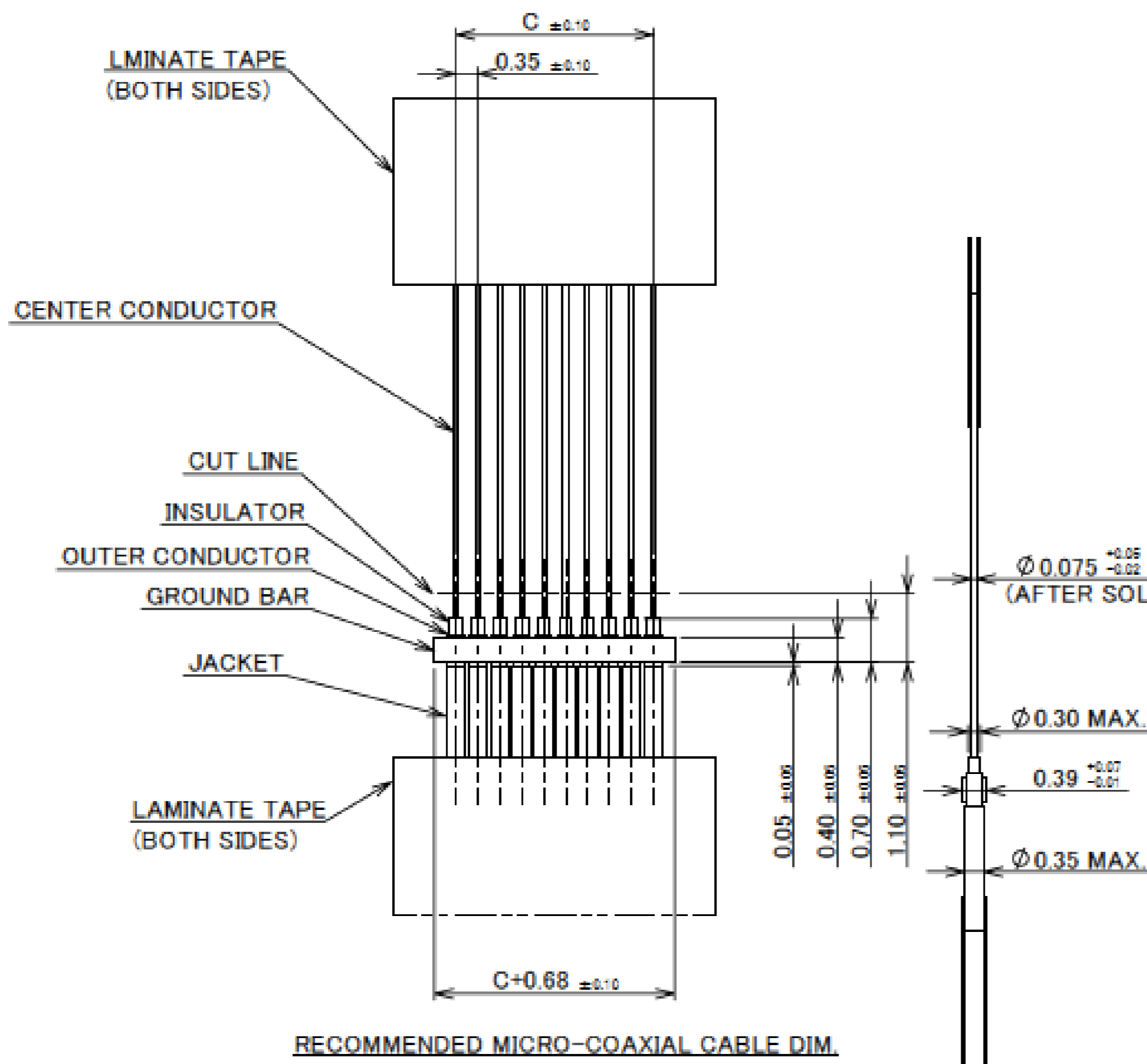
PART COMBINATION TABLE			
PLUG CABLE ASSEMBLY	PLUG HOUSING ASSEMBLY	PLUG SHELL A	RECEPTACLE ASSEMBLY
20857-005T-01	20907-005E-01	3568-0051	20854-005E-02
20857-010T-01	20907-010E-01	3568-0101	20854-010E-02



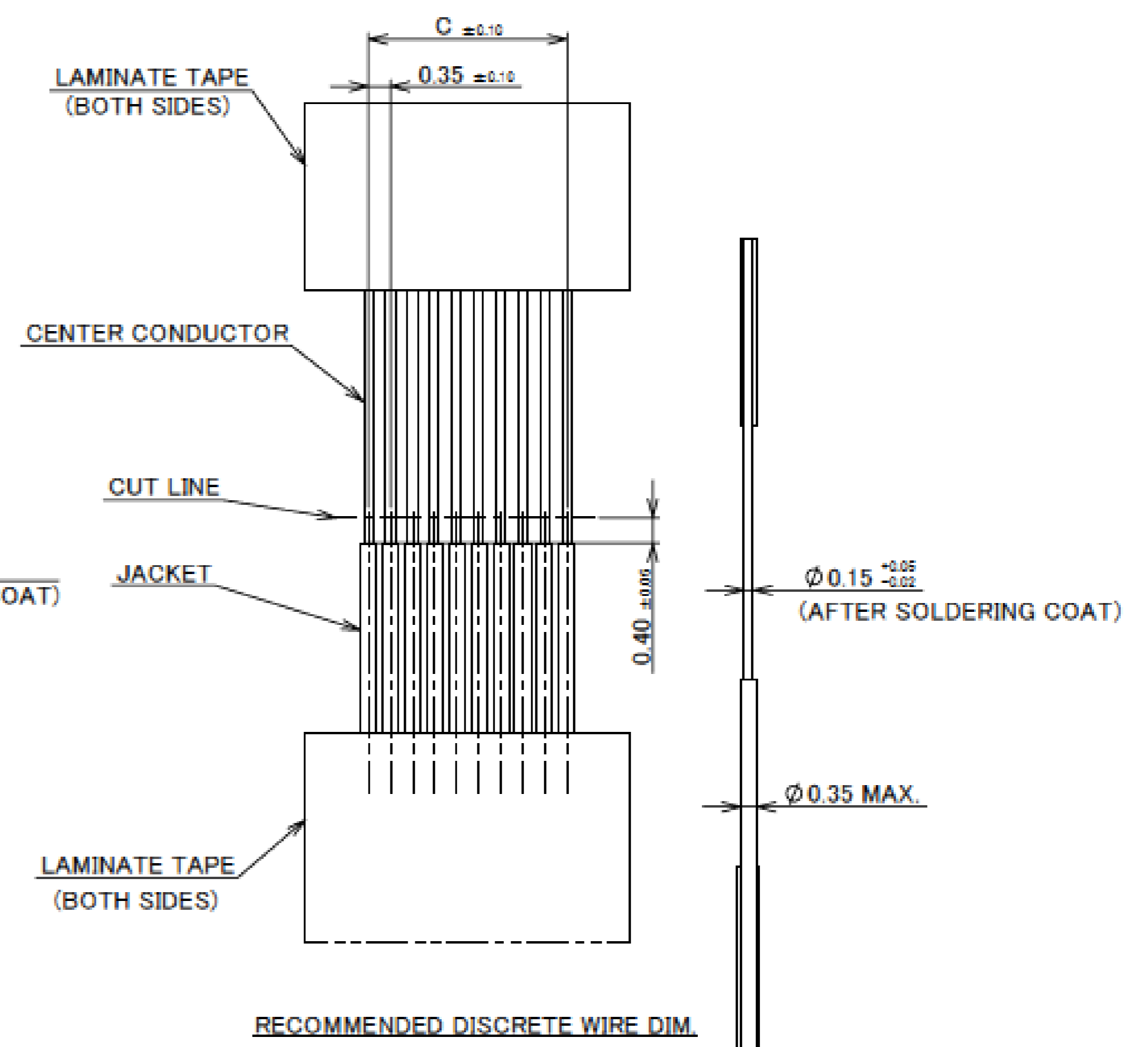
NO.	DESCRIPTION	MATERIAL	FINISH, REMARKS
4	SHELL B	SUS	Au 0.02 μm MIN. OVER Ni 1.00 μm MIN.
3	SHELL A	PHOSPHOR BRONZE	ALL OVER Ni 1.00 μm MIN. CONTACT PART Au 0.02 μm MIN. SOLDERING PART Au 0.02 μm MIN.
2	CONTACT	CORSON ALLOY	ALL OVER Ni 1.00 μm MIN. CONTACT PART Au 0.02 μm MIN. SOLDERING PART Au 0.02 μm MIN.
1	HOUSING	LCP	UL94V-0. BLACK

Rev.5

PART NO.	Pos.	C
20857-005T-01	5	1.40
20857-010T-01	10	3.15



MICRO-COAXIAL CABLE AWG# 42



DISCRETE WIRE AWG# 36

Rev.5

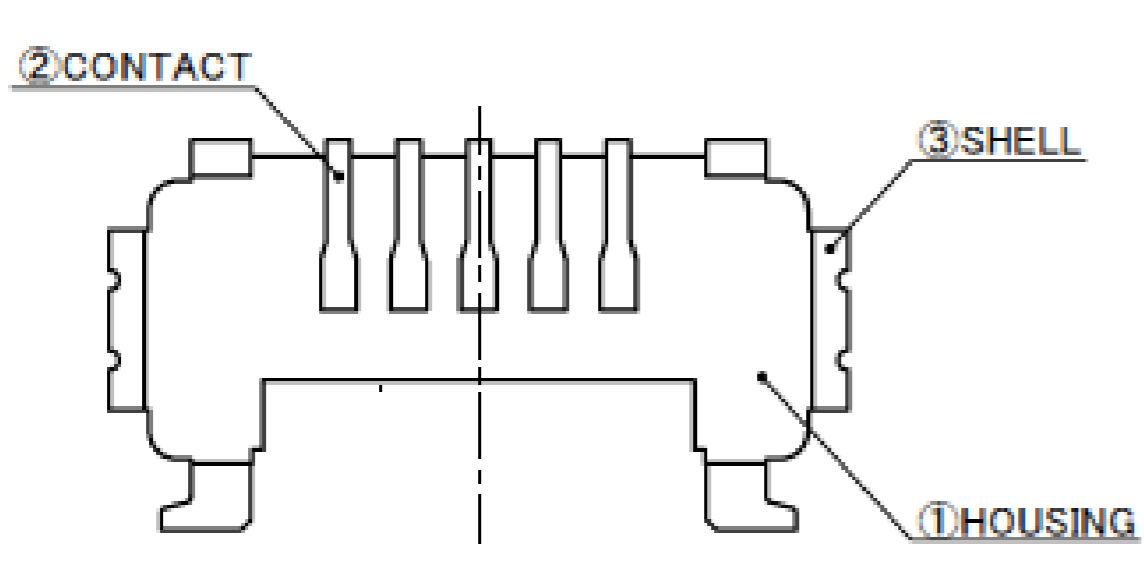
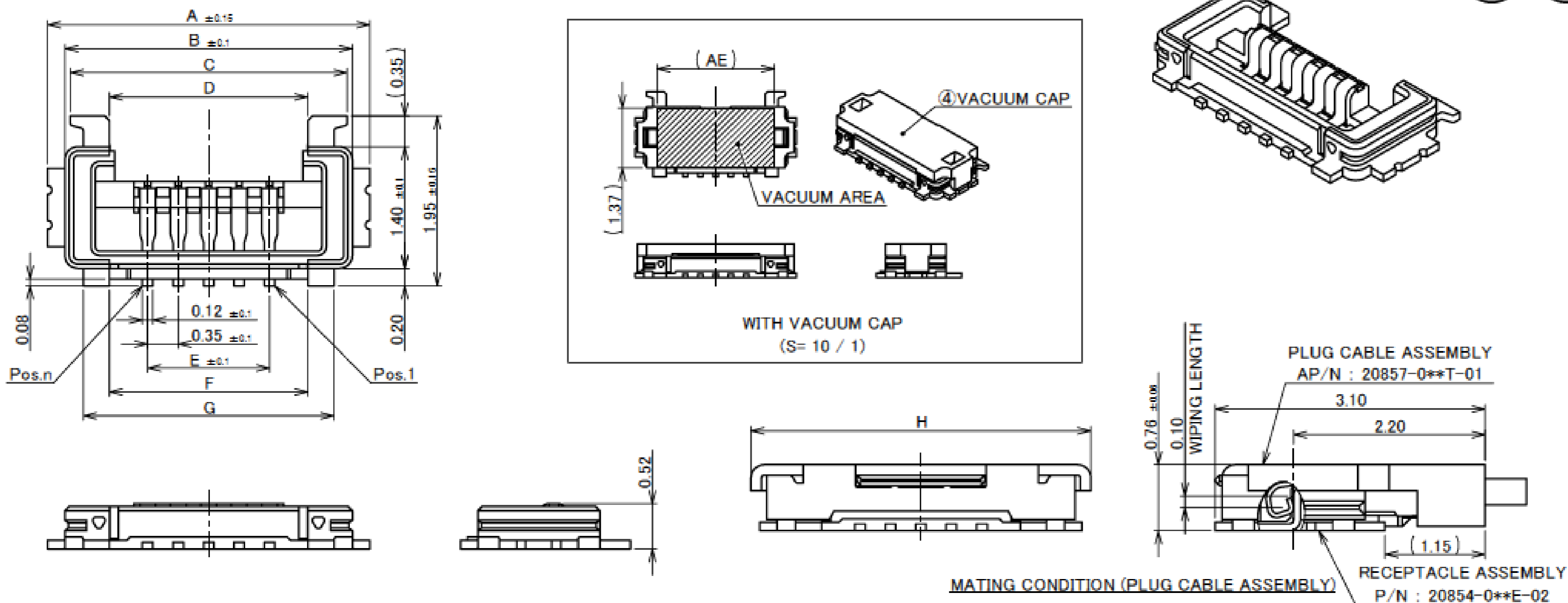
Plug for Cable Assembly

ITEMS	SPECIFICATION
APPLICABLE CABLE	MICRO-COAXIAL CABLE : AWG# 42 DISCRETE WIRE : AWG# 36
RATING VOLTAGE	60V AC (PER CONTACT PIN)
RATING AMPERAGE (FOR CONTACT)	0.35 AC/DC[AWG# 42] 0.5 AC/DC[AWG# 36]
OPERATING TEMPERATURE	233~358K(-40°C~+85°C)
OPERATING HUMIDITY	85% MAX.(NON-CONDENSING)
CONTACT RESISTANCE	INITIAL : 700mohm MAX.(AWG# 42) / AFTER TEST : \angle R 40mohm MAX. 275mohm MAX.(AWG# 36)
GROUND SHELL RESISTANCE	INITIAL : 60mohm MAX. / AFTER TEST : \angle R 40mohm MAX.
INSULATION RESISTANCE	INITIAL : 500mohm MIN. / AFTER TEST : 100Mohm MIN.
DIELECTRIC WITHSTANDING VOLTAGE	AC200V 1min
DURABILITY	30 CYCLES
MATING FORCE (INITIAL / AFTER TEST)	5P : INITIAL: 30N MAX. / AFTER TEST: 30N MAX. 10P : INITIAL: 30N MAX. / AFTER TEST: 30N MAX.
UNMATING FORCE (INITIAL / AFTER TEST)	5P : INITIAL: 5N MIN. / AFTER TEST: 3N MIN. 10P : INITIAL: 5N MIN. / AFTER TEST: 3N MIN.
CABLE RETENTION FORCE	5Pin : 2.45N MIN. 10Pin : 4.9N MIN.
PRODUCT SPECIFICATION	PRS-2634
TEST REPORT	TR-19084
INSTRUCTION MANUAL	HIM-18037
ASSEMBLY MANUAL	ASM-18002
APPEARANCE CRITERIA No.	QLS-A***

Rev.5

Receptacle Assembly

Recommended P/N	20854-0**E-02										
PART NO	Pos	A	B	C	D	E	F	G	H	J	AF
20854-005E-02	5	3.70	3.30	3.18	2.28	1.40	2.28	2.88	3.90	2.90	2.70
20854-010E-02	10	5.45	5.05	4.93	4.03	3.15	4.03	4.63	5.65	4.65	4.45



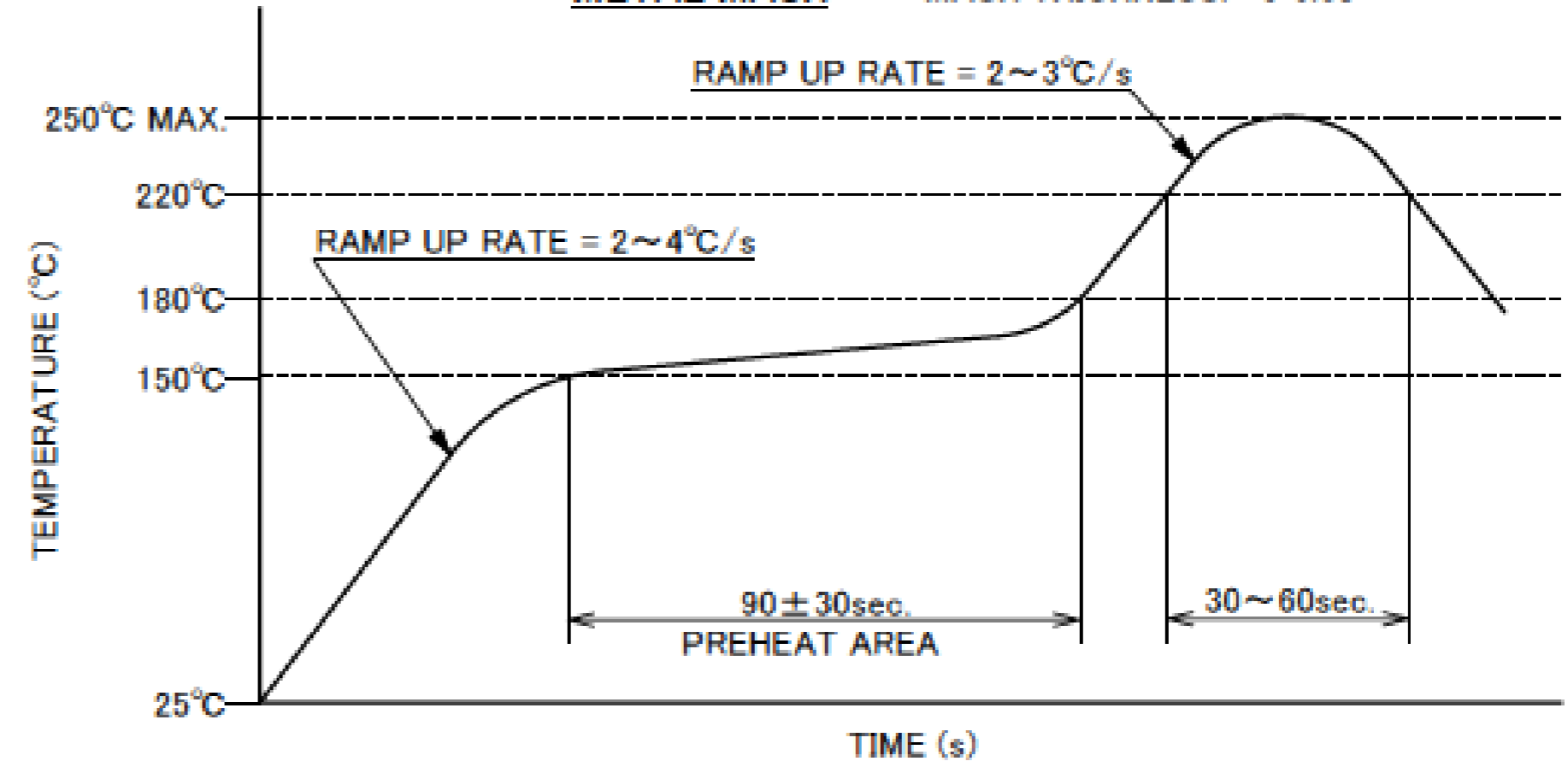
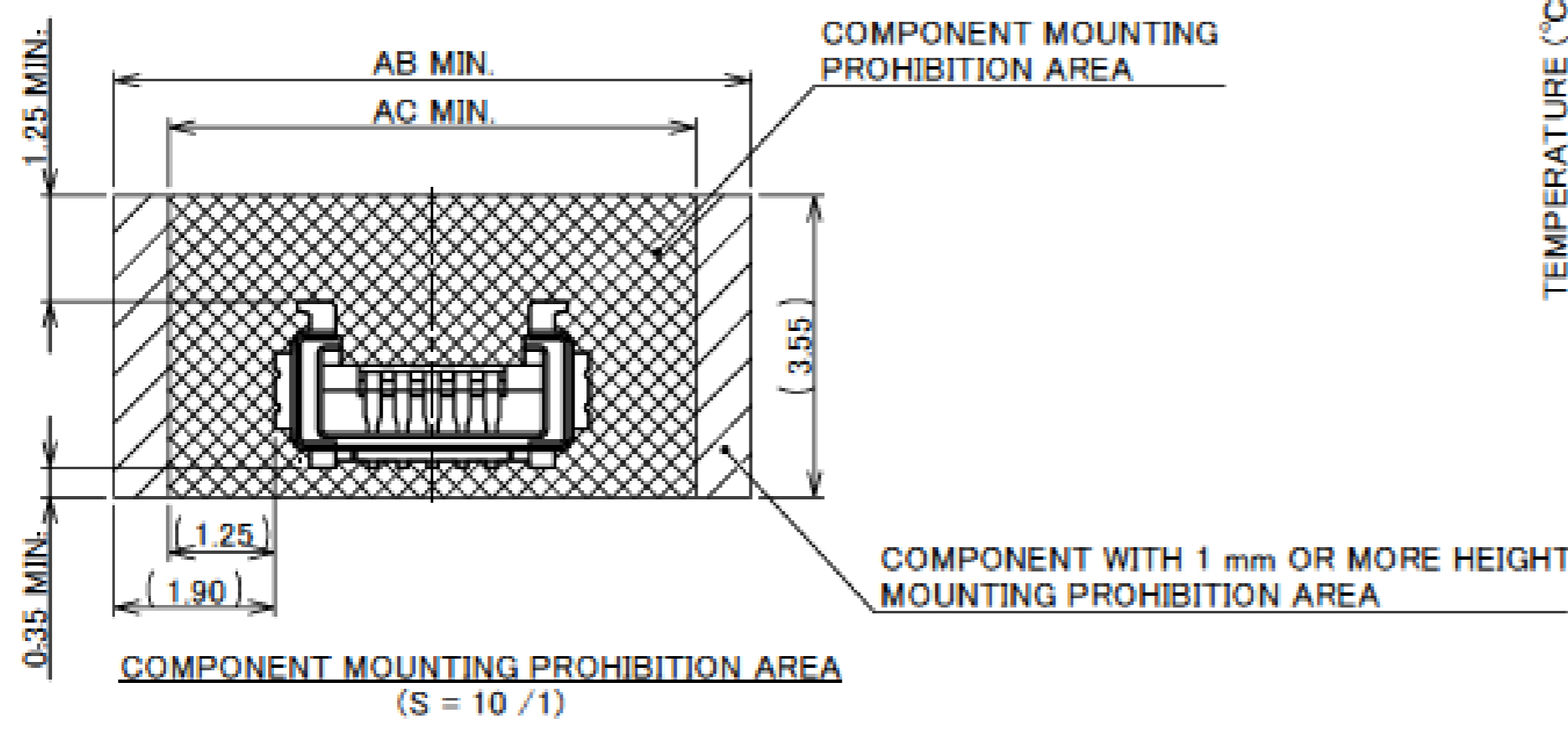
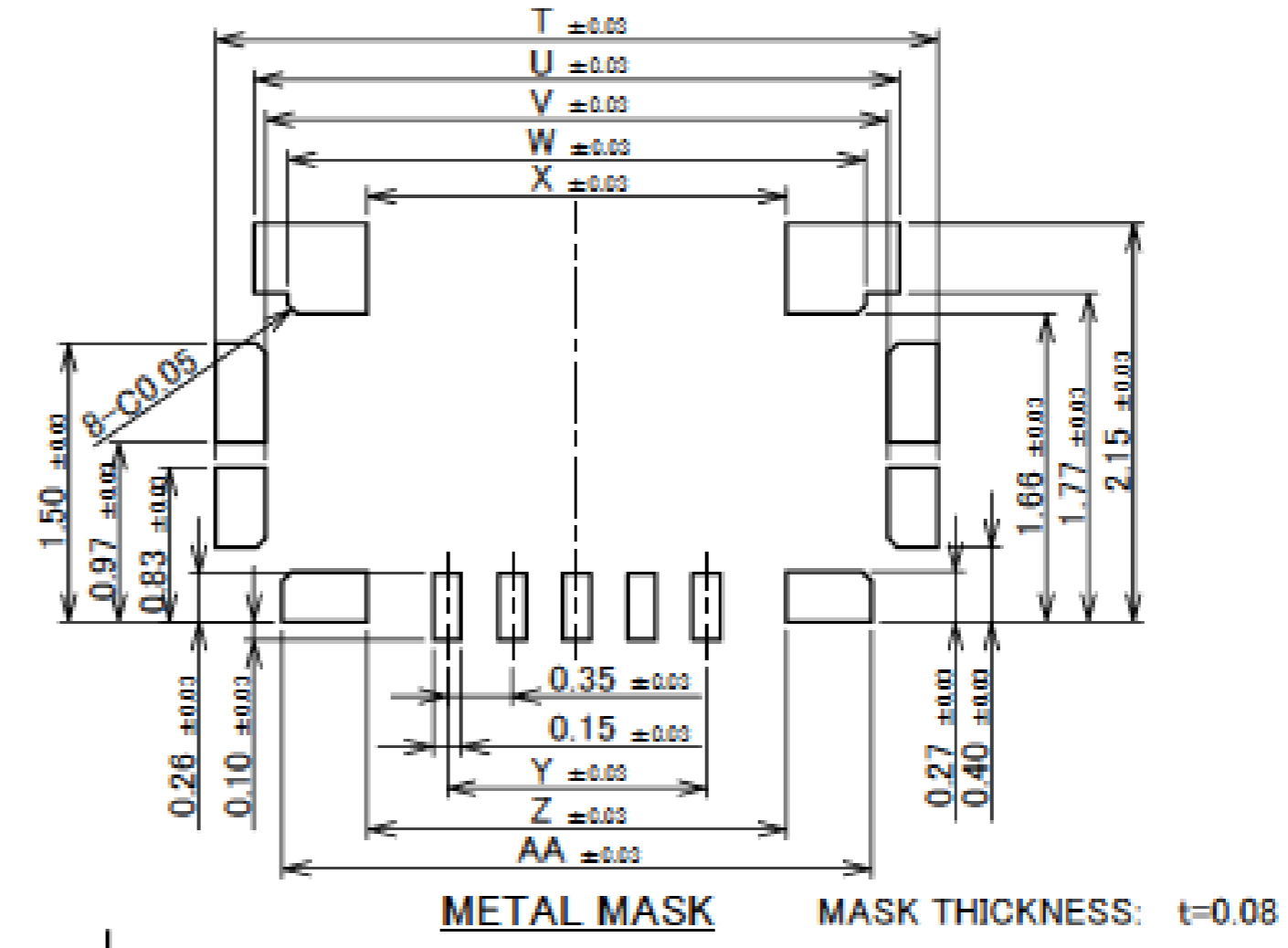
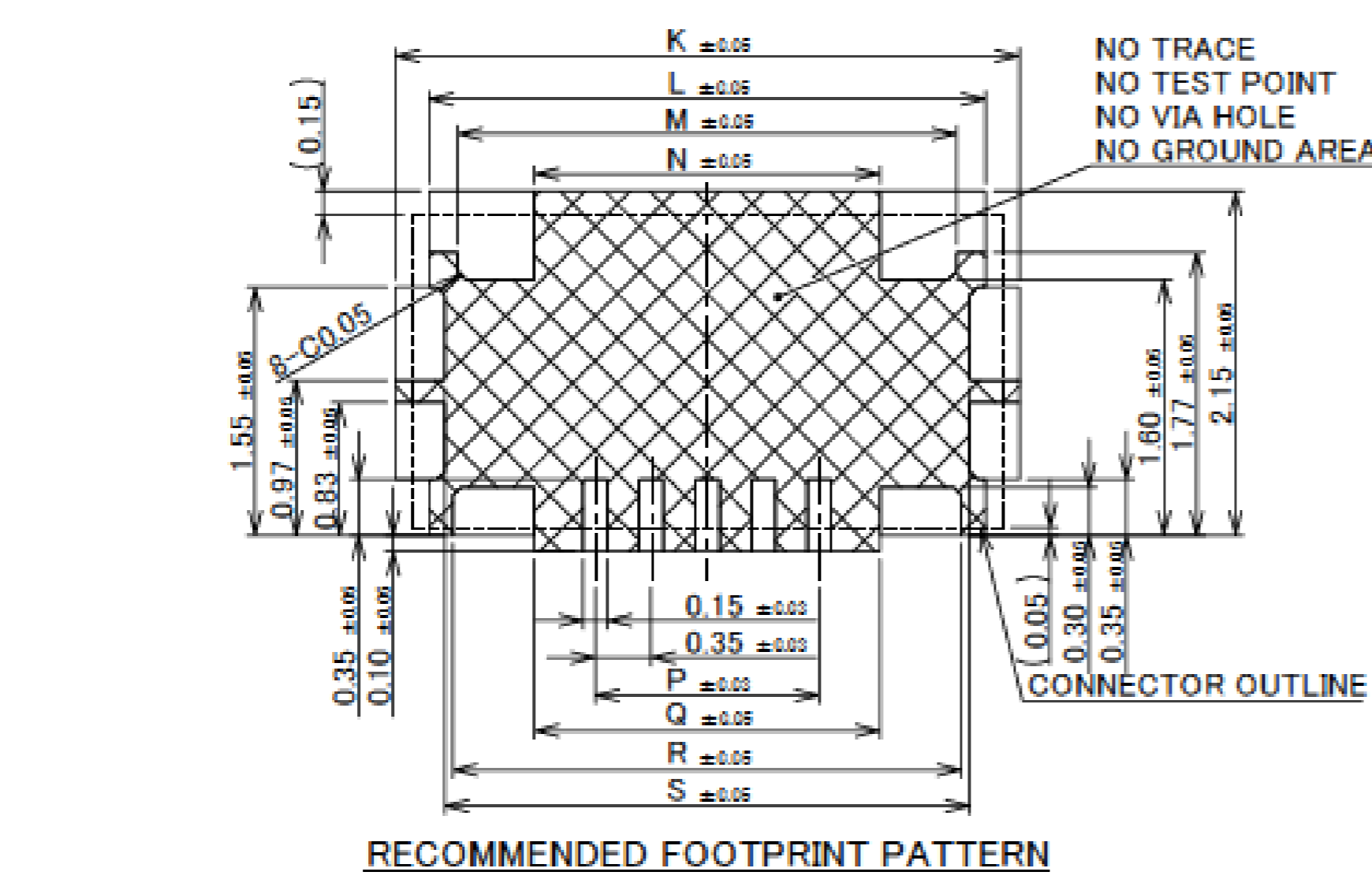
NO.	DESCRIPTION	MATERIAL	FINISH, REMARKS
4	VACUUM CAP	LCP	UL94V-0, BLACK
3	SHELL	PHOSPHOR BRONZE	ALL OVER Ni 1.00 μ m MIN. CONTACT PART: Au 0.01 μ m MIN. SOLDERING PART: Au 0.01 μ m MIN.
2	CONTACT	PHOSPHOR BRONZE	ALL OVER Ni 1.00 μ m MIN. CONTACT PART: Au 0.05 μ m MIN. SOLDERING PART: Au 0.03 μ m MIN.
1	HOUSING	LCP	UL94V-0, BLACK

NOTE.
1. COPLANARITY: 0.08mm MAX.

Rev.6

Receptacle Assembly

PART NO.	Pos.	K	L	M	N	P	Q	R	S	T	U	V	W	X	Y	Z	AA	AB	AC
20854-005E-02	5	3.90	3.48	3.12	2.16	1.40	2.16	3.18	3.28	3.90	3.48	3.36	3.12	2.26	1.40	2.26	3.18	7.50	6.20
20854-010E-02	10	5.65	5.23	4.87	3.91	3.15	3.91	4.93	5.03	5.65	5.23	5.11	4.87	4.01	3.15	4.01	4.93	9.25	7.95



ITEMS	SPECIFICATION
APPLICABLE CONNECTOR PART No.	20857-0**T-01 (PLUG CABLE ASSEMBLY)
APPLICABLE CABLE	MICRO-COAXIAL CABLE : AWG# 42 DISCRETE WIRE : AWG# 36
RATING VOLTAGE	60V AC (PER CONTACT PIN)
RATING AMPERAGE (FOR CONTACT)	0.35 AC/DC [AWG#42] PER CONTACT PIN 0.50 AC/DC [AWG#36] PER CONTACT PIN
OPERATING TEMPERATURE	233~358K(-40°C~+85°C)
OPERATING HUMIDITY	85% MAX.(NON-CONDENSING)
CONTACT RESISTANCE	INITIAL : 700mohm MAX.(AWG#42) 275mohm MAX.(AWG#36) / AFTER TEST : Δ R 40mohm MAX.
GROUND CONTACT RESISTANCE	INITIAL : 60mohm MAX. / AFTER TEST : Δ R 40mohm MAX.
INSULATION RESISTANCE	INITIAL : 500Mohm MIN. / AFTER TEST : 100Mohm MIN.
DIELECTRIC WITHSTANDING VOLTAGE	AC200V 1min
DURABILITY	30 CYCLES
MATING FORCE (INITIAL / AFTER TEST)	5P : INITIAL: 30N MAX. / AFTER TEST: 30N MAX. 10P : INITIAL: 30N MAX. / AFTER TEST: 30N MAX.
UNMATING FORCE (INITIAL / AFTER TEST)	5P : INITIAL: 5N MIN. / AFTER TEST: 3N MIN. 10P : INITIAL: 5N MIN. / AFTER TEST: 3N MIN.
CABLE RETENTION FORCE	5P : 2.45N MIN. 10P : 4.90N MIN.
COPLANARITY	0.08 MAX.
PRODUCT SPECIFICATION	PRS-2634
TEST REPORT	TR-19084
PACKING STANDARD	PST-18040
INSTRUCTION MANUAL	HIM-18037
APPEARANCE CRITERIA No.	QLS-A***

Rev.6

Rev.6

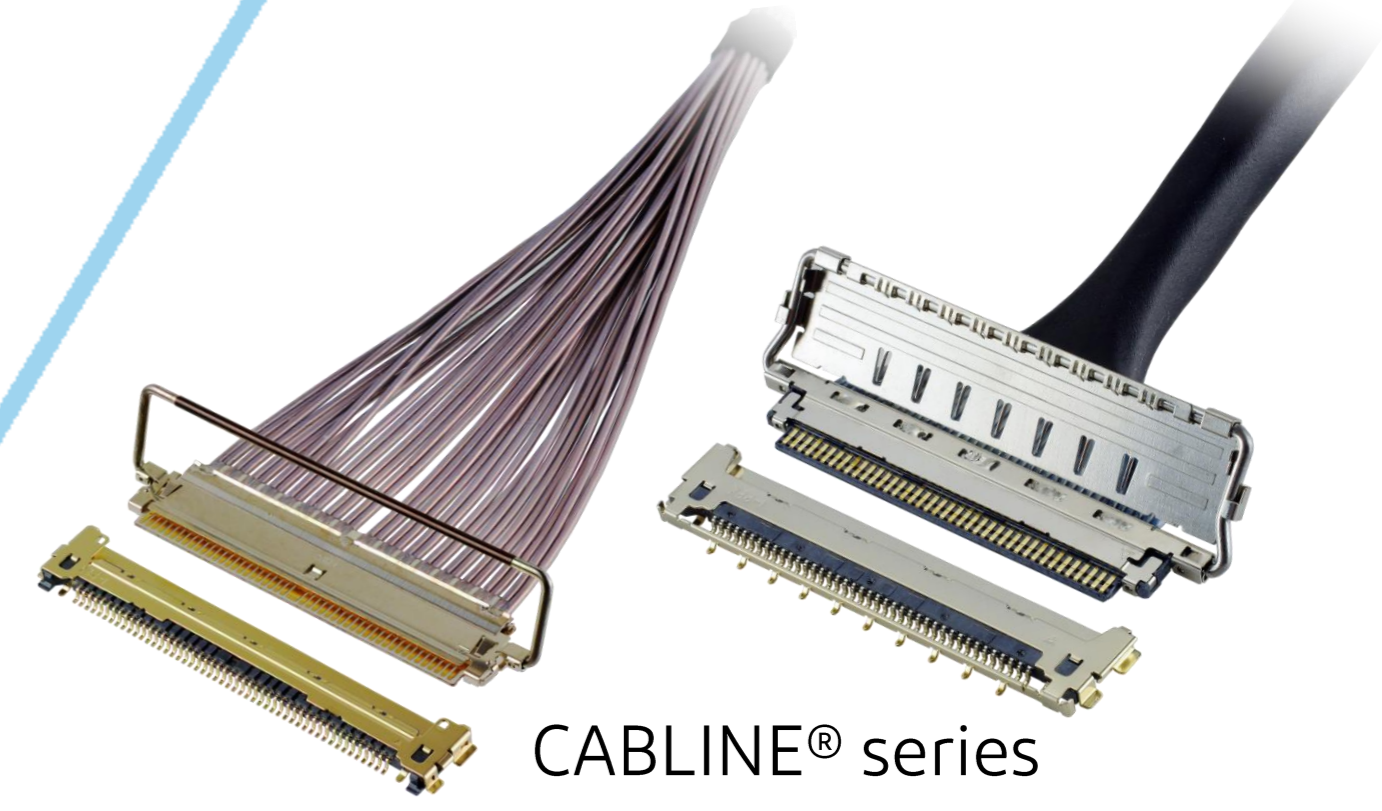
Custom Connectors Available

RF Connector

MHF® series



Micro-coaxial/Twinax/Discrete Wire Connector



CABLINE® series

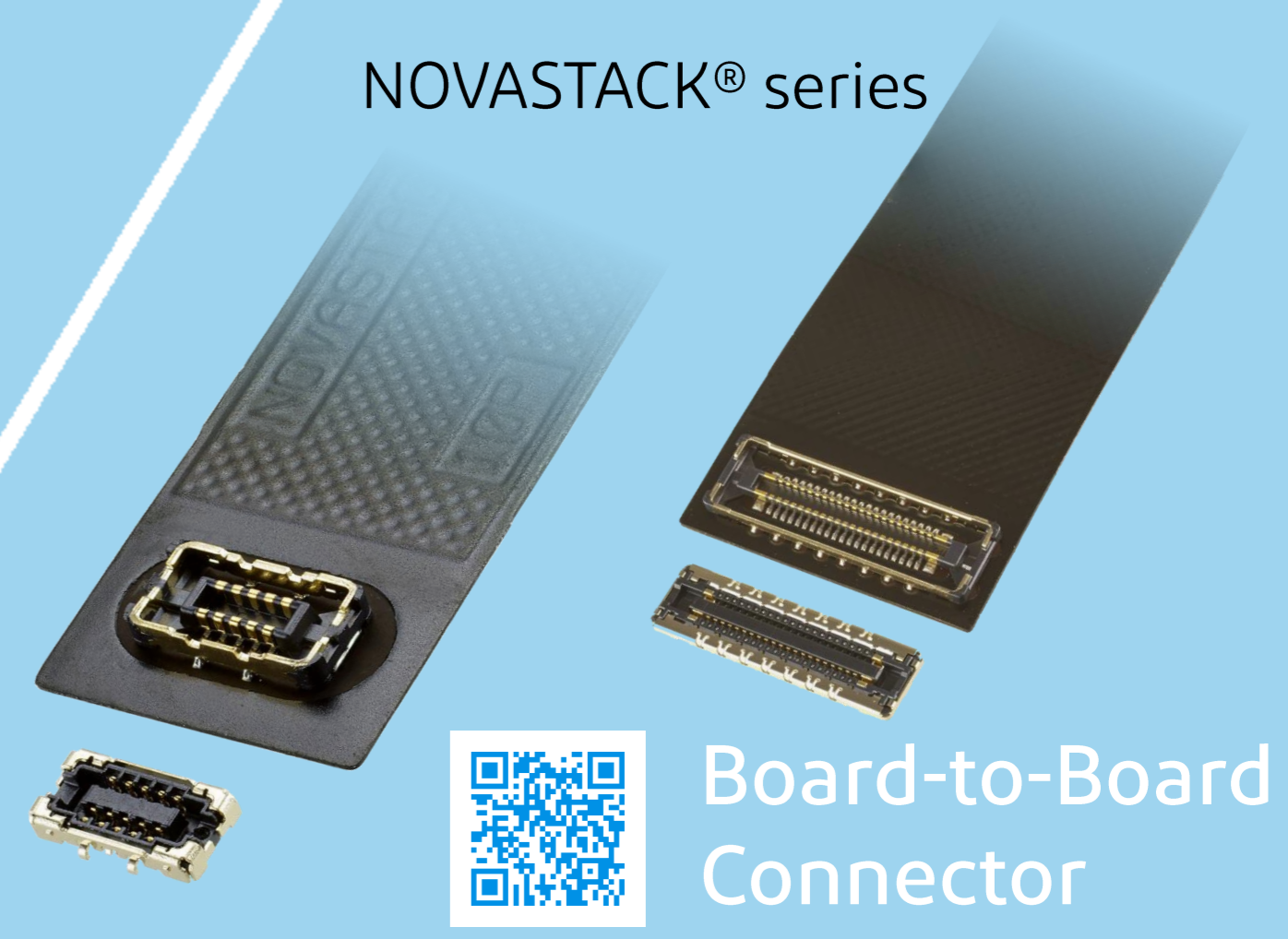


Optical Module

LIGHTPASS® series



NOVASTACK® series



Board-to-Board Connector



Power Connector/Terminal

AP series

ISH® series



MINIFLEX® series

EVAFLEX® series



FPC FFC Connector



Inquiry



MINIDOCK® series



I/O Connector

I-PEX, MHF, CABLINE, LIGHTPASS, NOVASTACK, ISH, IARPB, MINIFLEX, EVAFLEX, MINIDOCKS and ZenShield are registered trademarks of I-PEX Inc. Please note that the contents in the catalog might be changed without prior notification. I-PEX Inc. assumes no responsibility for any inaccuracies or obligation to update information on these documents. Please be sure to read and understand the latest "Precautions for Use" and "Instruction Manual" before you use our products. We shall not be responsible for any defects, damages or troubles in case you use our products without following the precautions for use. Please feel free to contact our sales representatives when you use our products for any applications that require very high reliability and safety, or that relate to human life (ex. nuclear power control, aerospace, transportation, medical equipment, safety equipment etc.).

Contact your sales representative or more detailed information.

www.i-pex.com



I-PEX

© I-PEX Inc. 2024
All rights reserved