

CABLINE®-UA II

穴通しに最適なスリムデザイン、メカニカルロック付き、シールド & 多点グラウンド接点、0.3 mmピッチ、ライトアングル縦嵌合タイプ細線同軸コネクタ

Product Specifications:

Mating type	Right angle vertical	
Board Pitch (mm)	0.6	
Wiping Length (mm)	0.3	
Mated size (mm)	Height	1.27 +/- 0.1
	Width	5.0 + (0.3*?p)
	Depth	2.9
Pin Counts	Range	Up to 50
	Available	26, 32, 40, 50

Applicable Cable Size:

Maximum O.D. (mm)	0.3
Micro-Coaxial for Signal (AWG)	45ohm : #42 or smaller 50ohm : #44 or smaller
Twin Coaxial (AWG)	-
Discrete (AWG)	#39 or smaller

Applicable Standards (Reference Only):

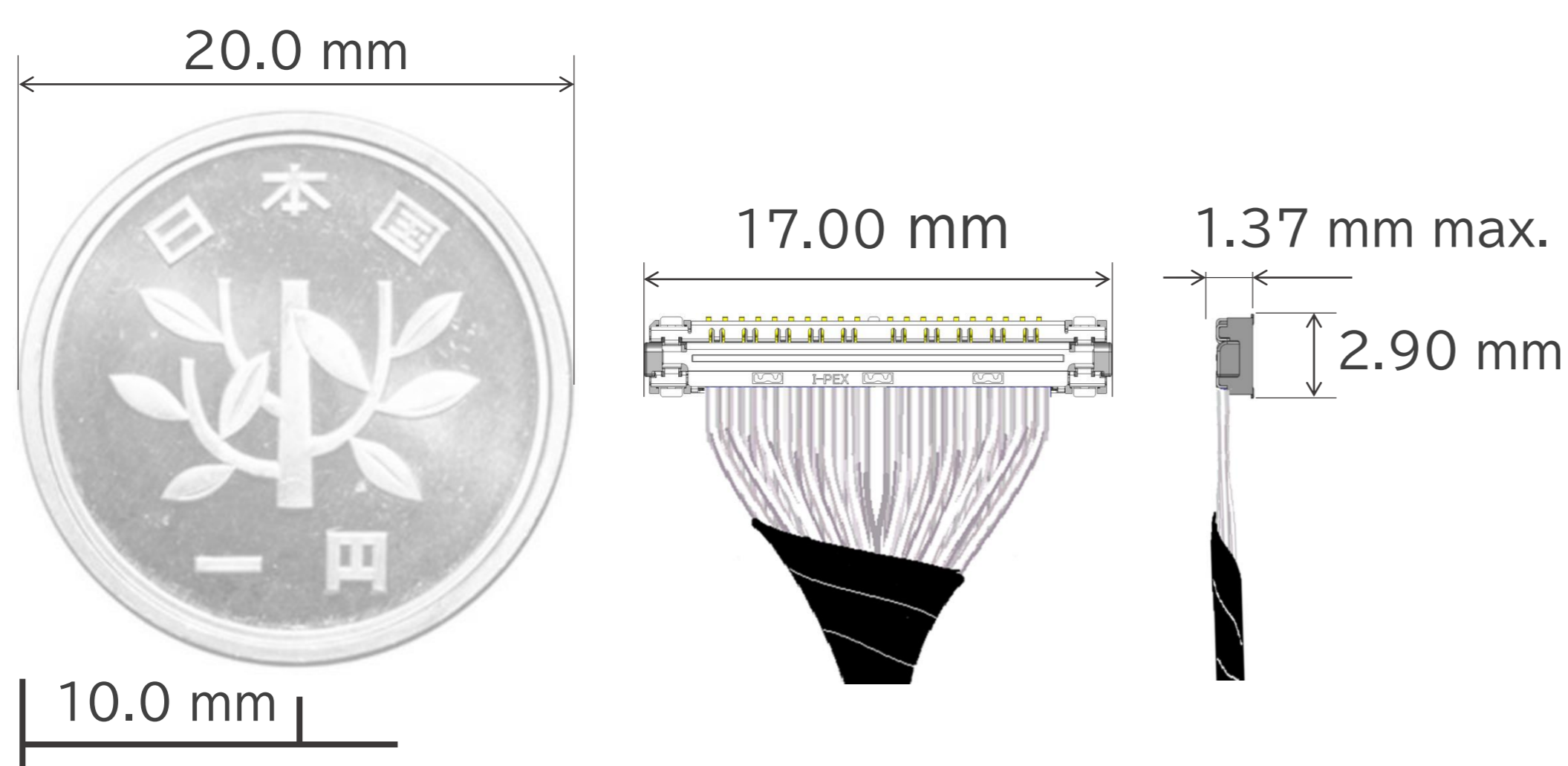
USB 3.1 Gen 1 (5 Gbps) V-By-One HS 1.4 (4 Gbps)
HDMI 1.3 (3.4 Gbps)

*記載のない極数の対応状況についてはお問い合わせください。



▶ 狭小スペースに最適

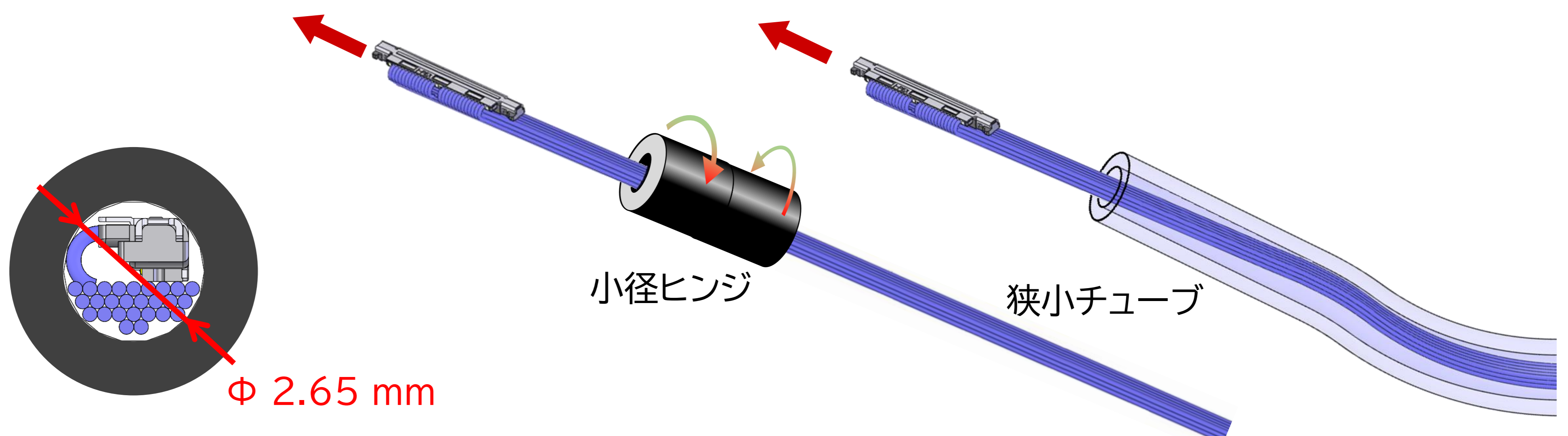
CABLINE-UA II 40p と 1円硬貨のサイズ比較



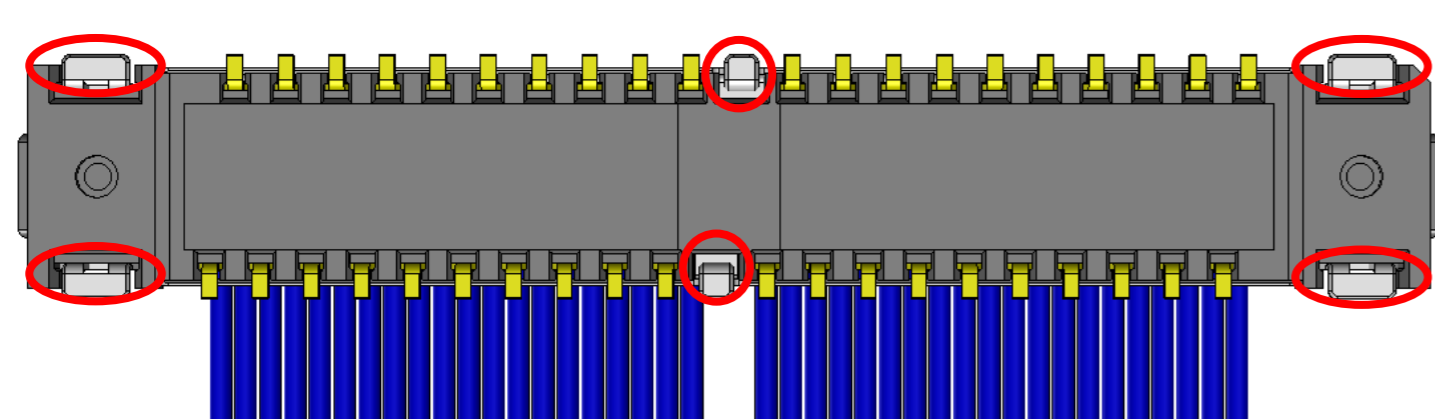
▶ 小径ヒンジを通す事を可能にしたスリムなPlugデザイン

シミュレーション参考例:

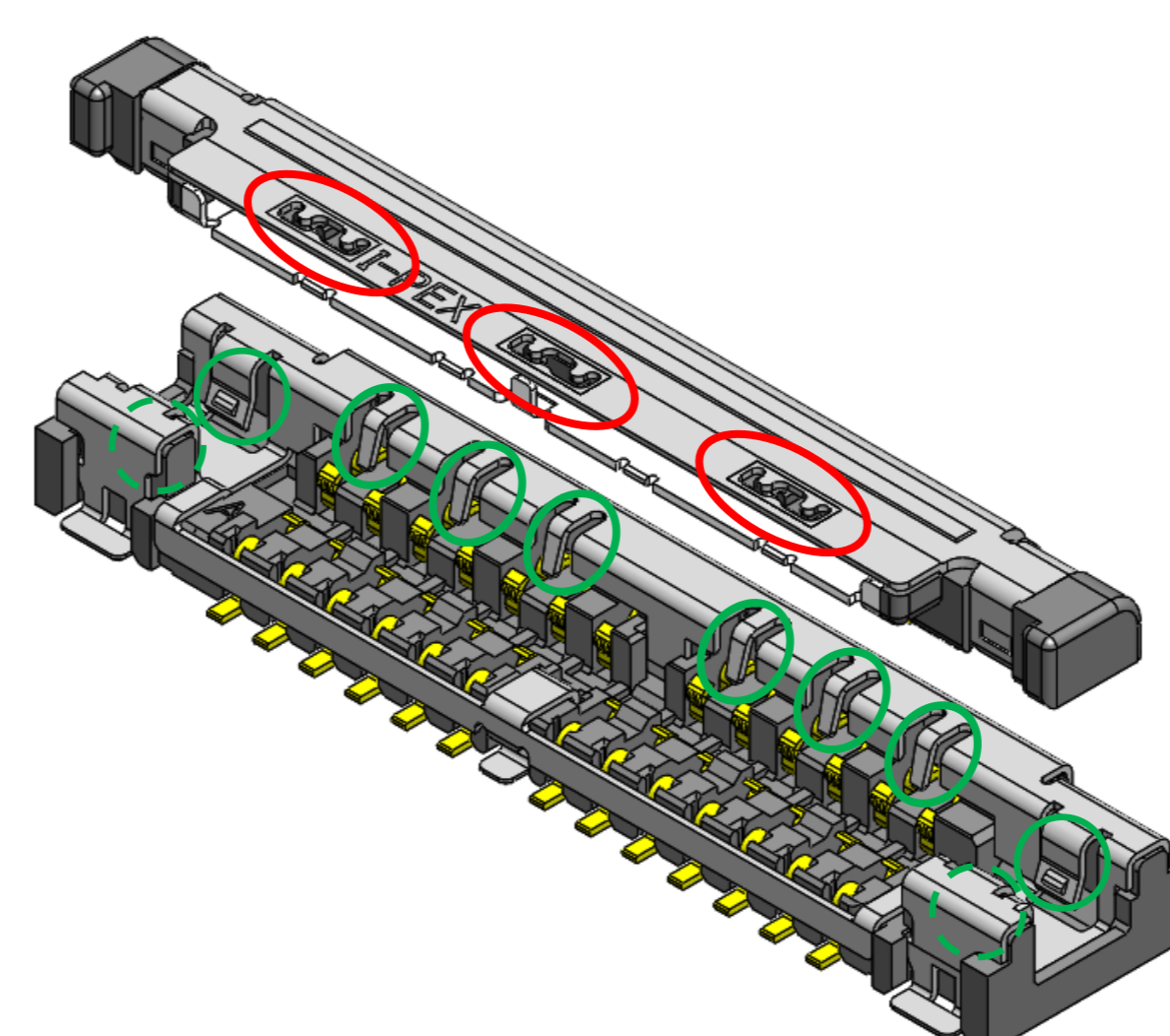
外径0.29mmのケーブルを使用したUA II 26p Plug ハーネスは内径2.65mmを通す事が可能。



▶ EMIシールドと多点グラウンド接点設計



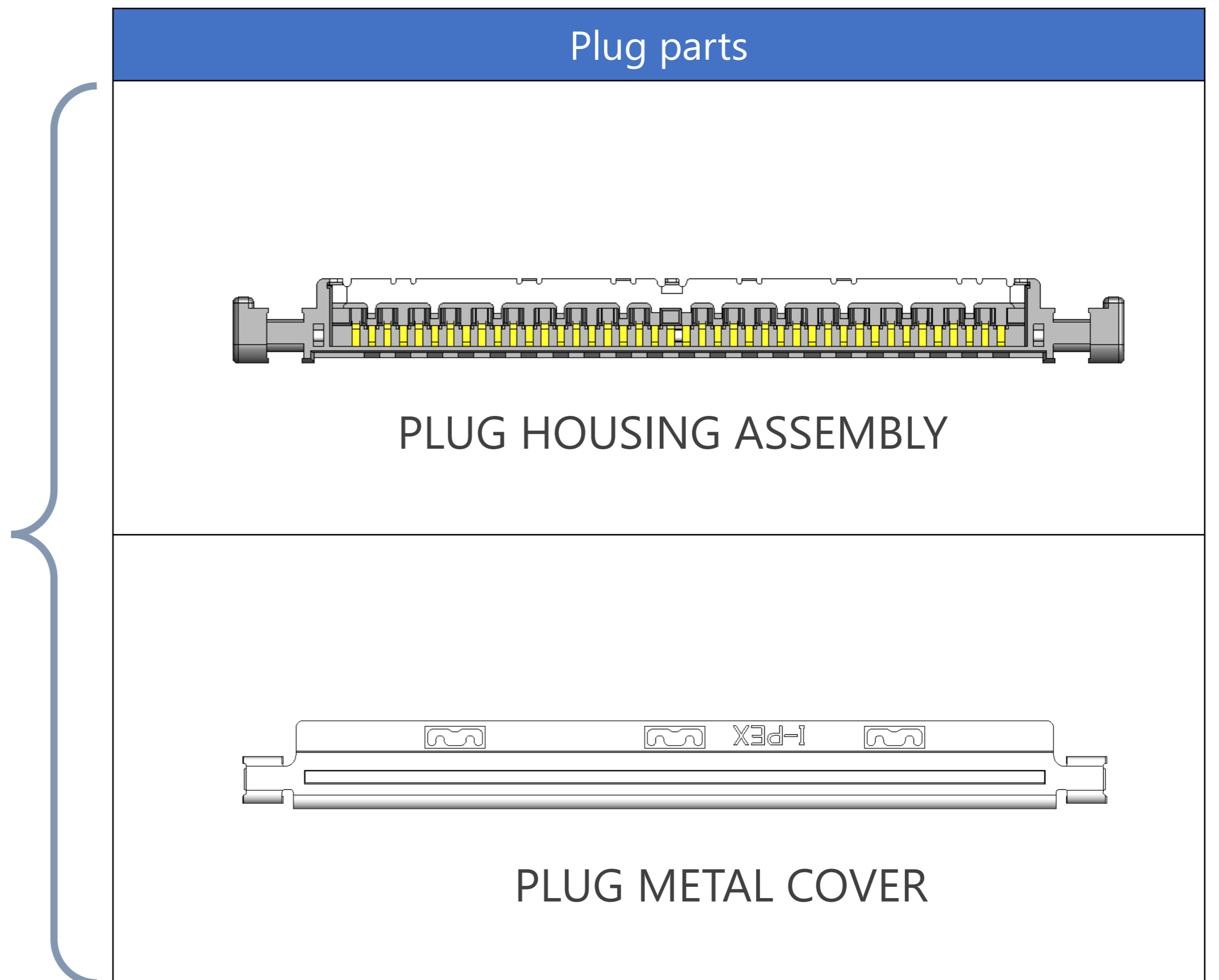
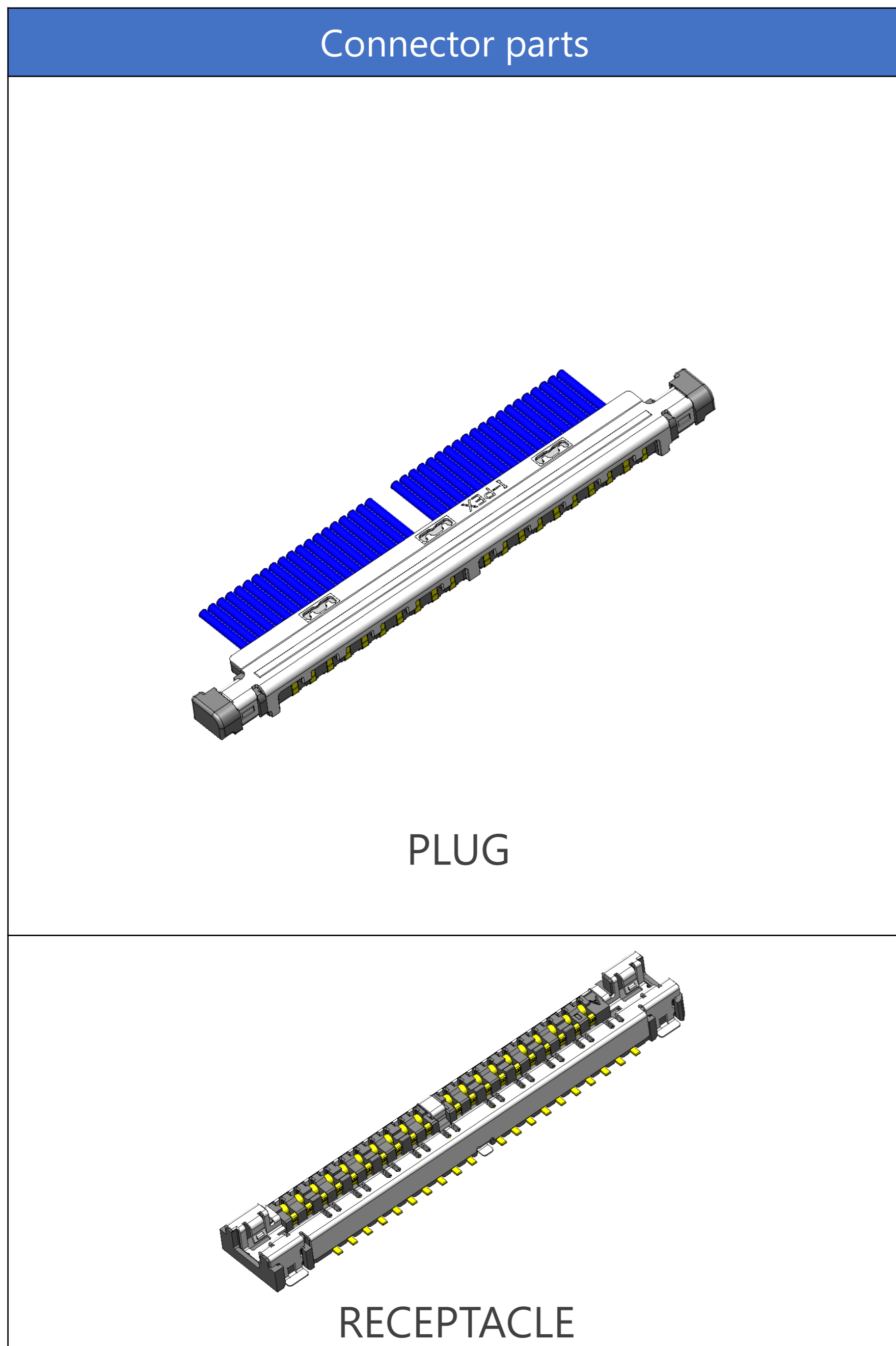
下から見たコネクタ



○ はんだ付け接点部
○ メカニカル接点部

Component Parts Details

Component Parts



Rev.#

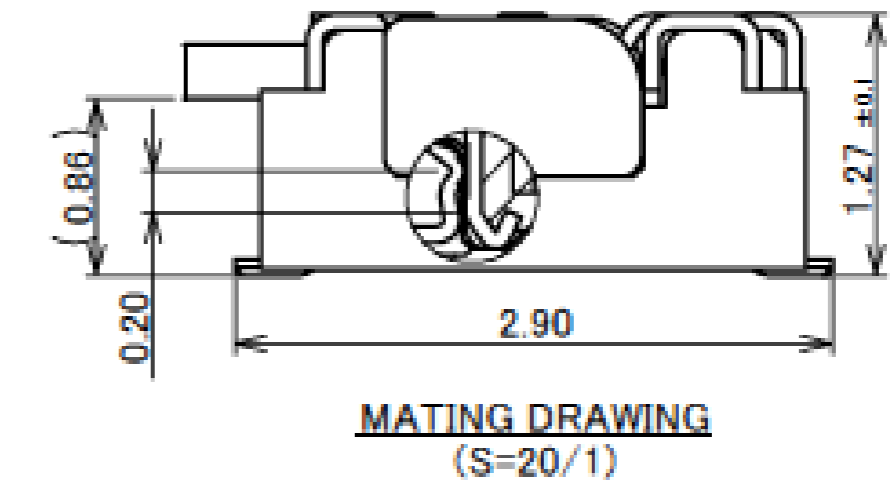
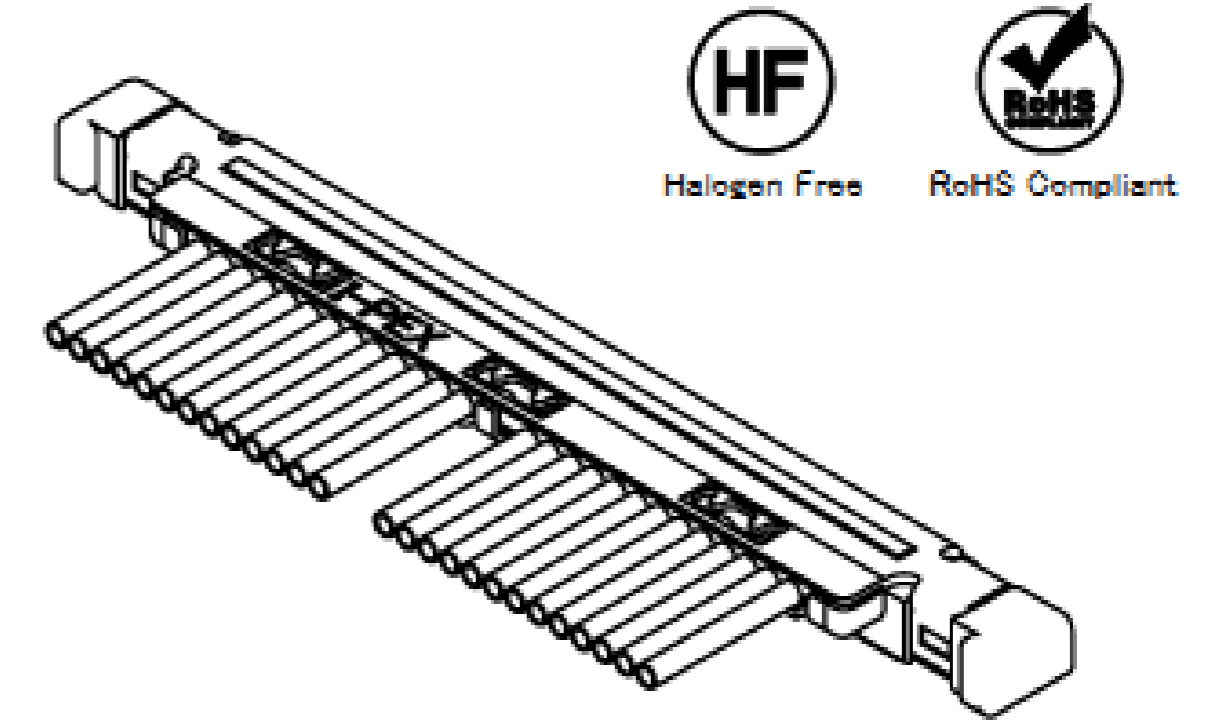
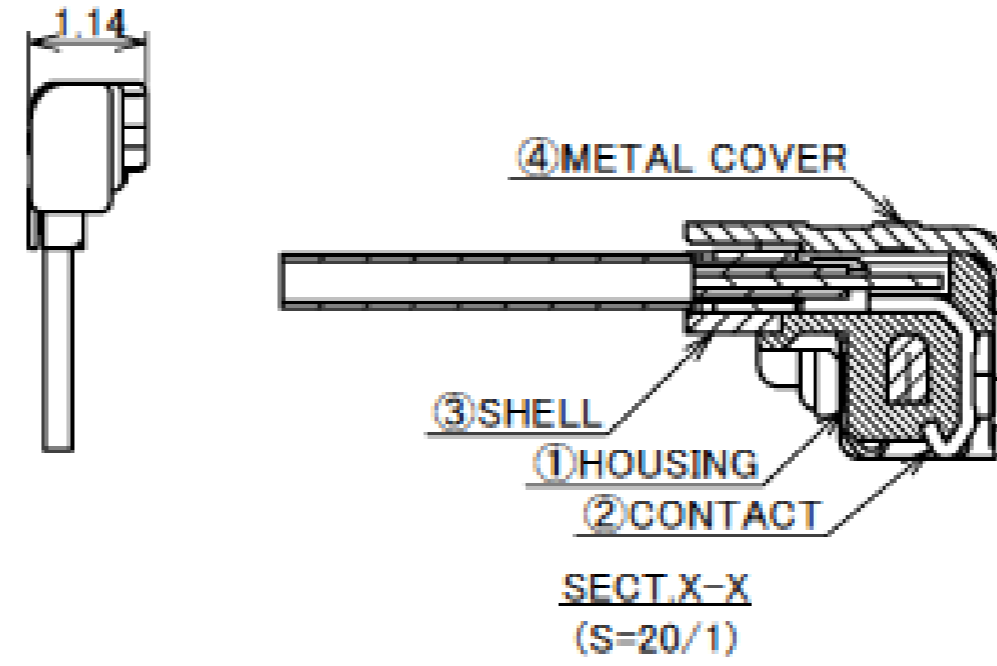
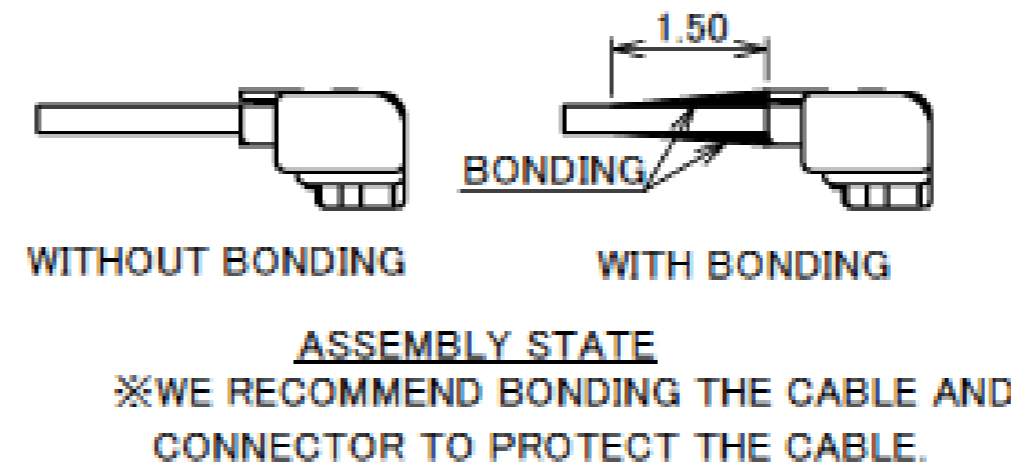
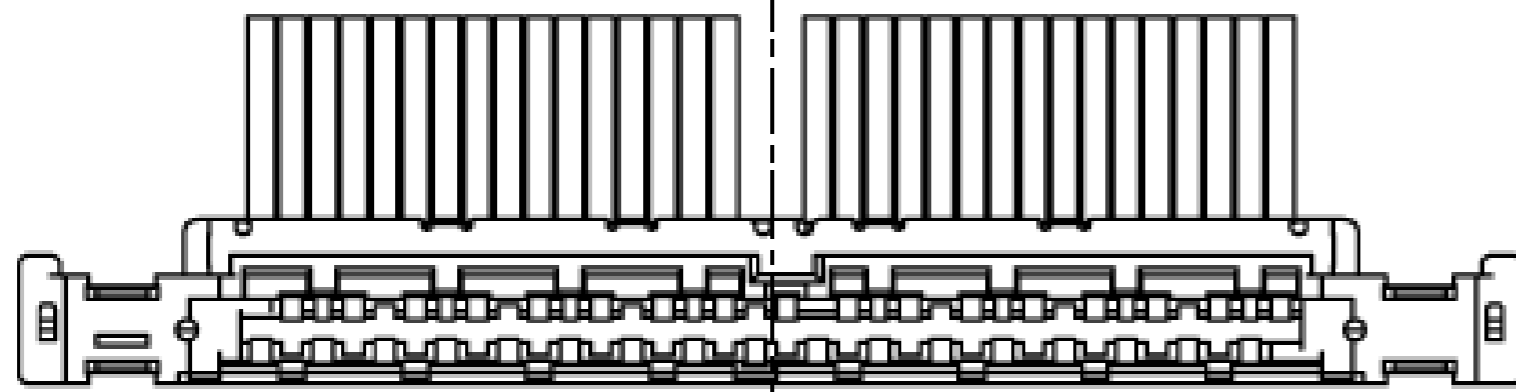
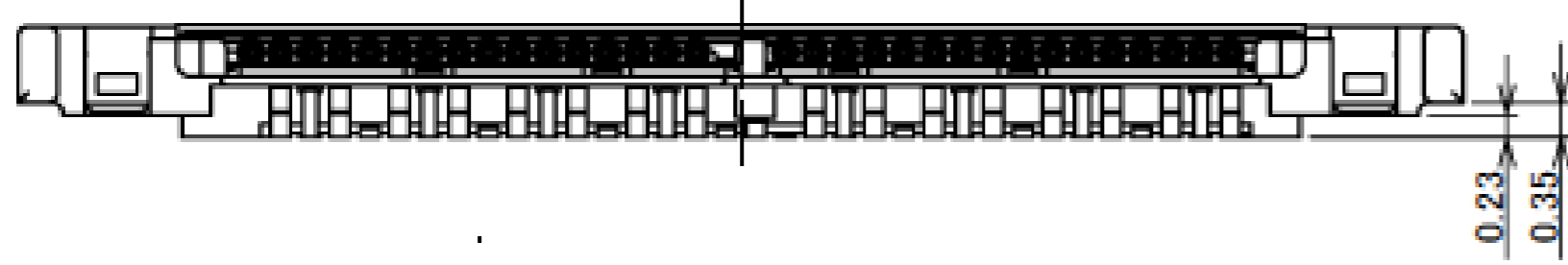
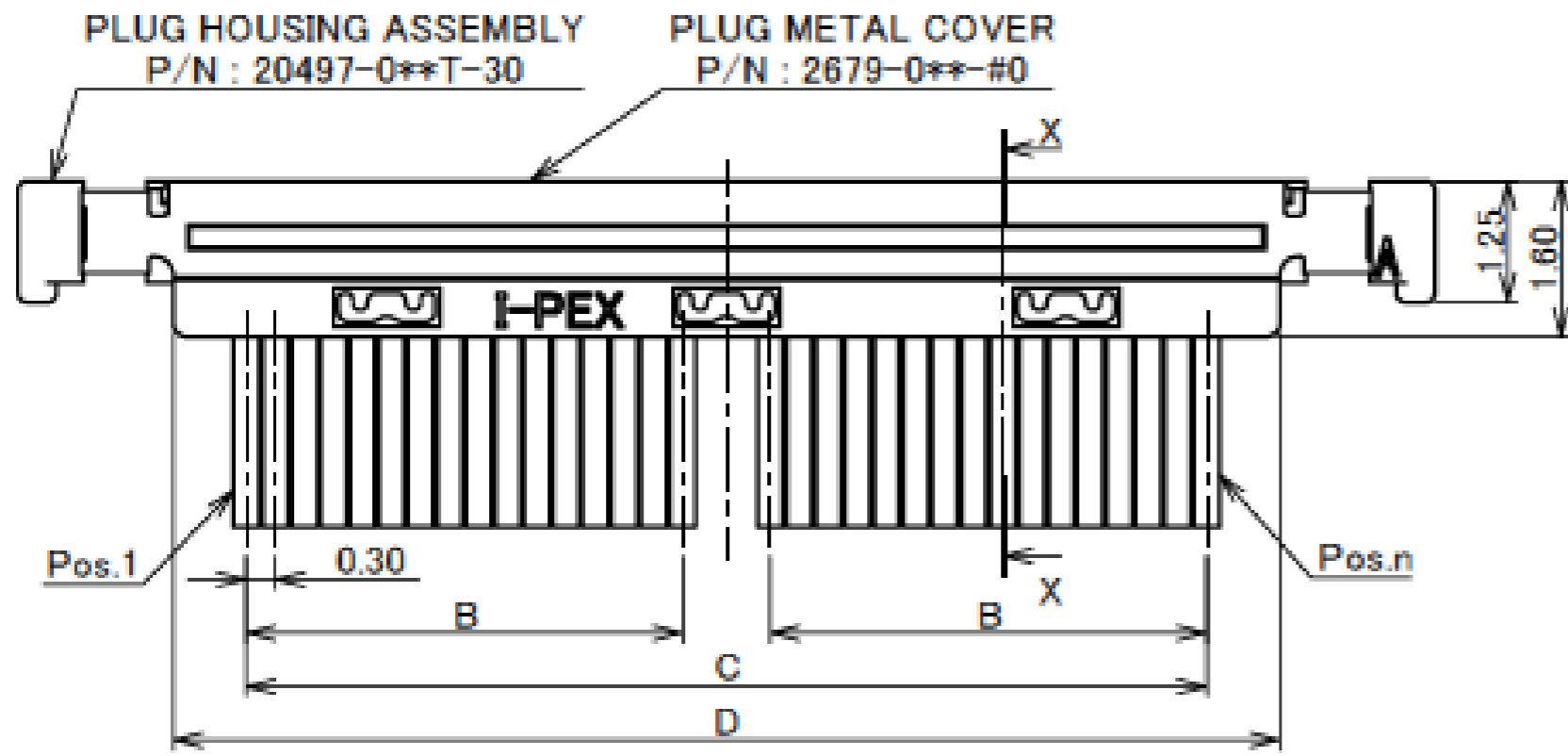
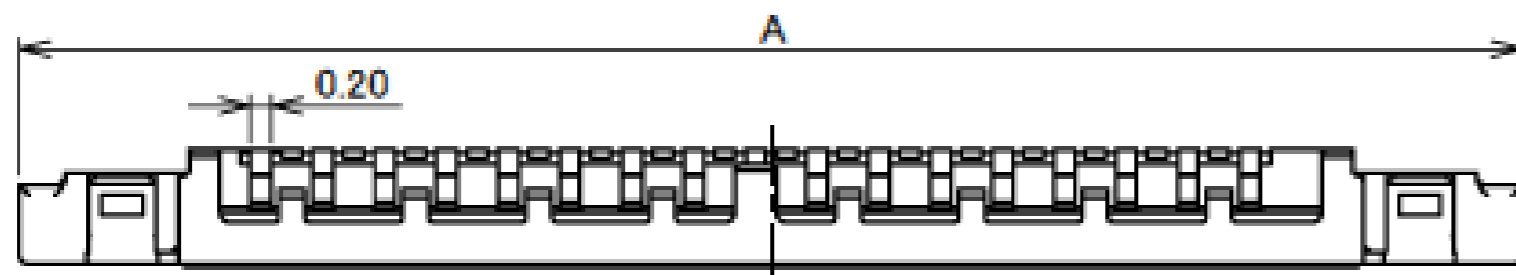
Plug for Cable Assembly

Recommended P/N		20496-0**-40			
PART No.	POS.	A	B	C	D
20496-026-#0	26	12.8	3.6	8.1	9.6
20496-032-#0	32	14.6	4.5	9.9	11.4
◆ 20496-034-#0	34	15.2	4.8	10.5	12.0
20496-040-#0	40	17.0	5.7	12.3	13.8
20496-050-#0	50	20.0	7.2	15.3	16.8

◆ MARK MEANS NOT AVAILABLE

20496-0**-#0
 3: METAL COVER Au PLATING
 4: METAL COVER Sn PLATING
 Pos.

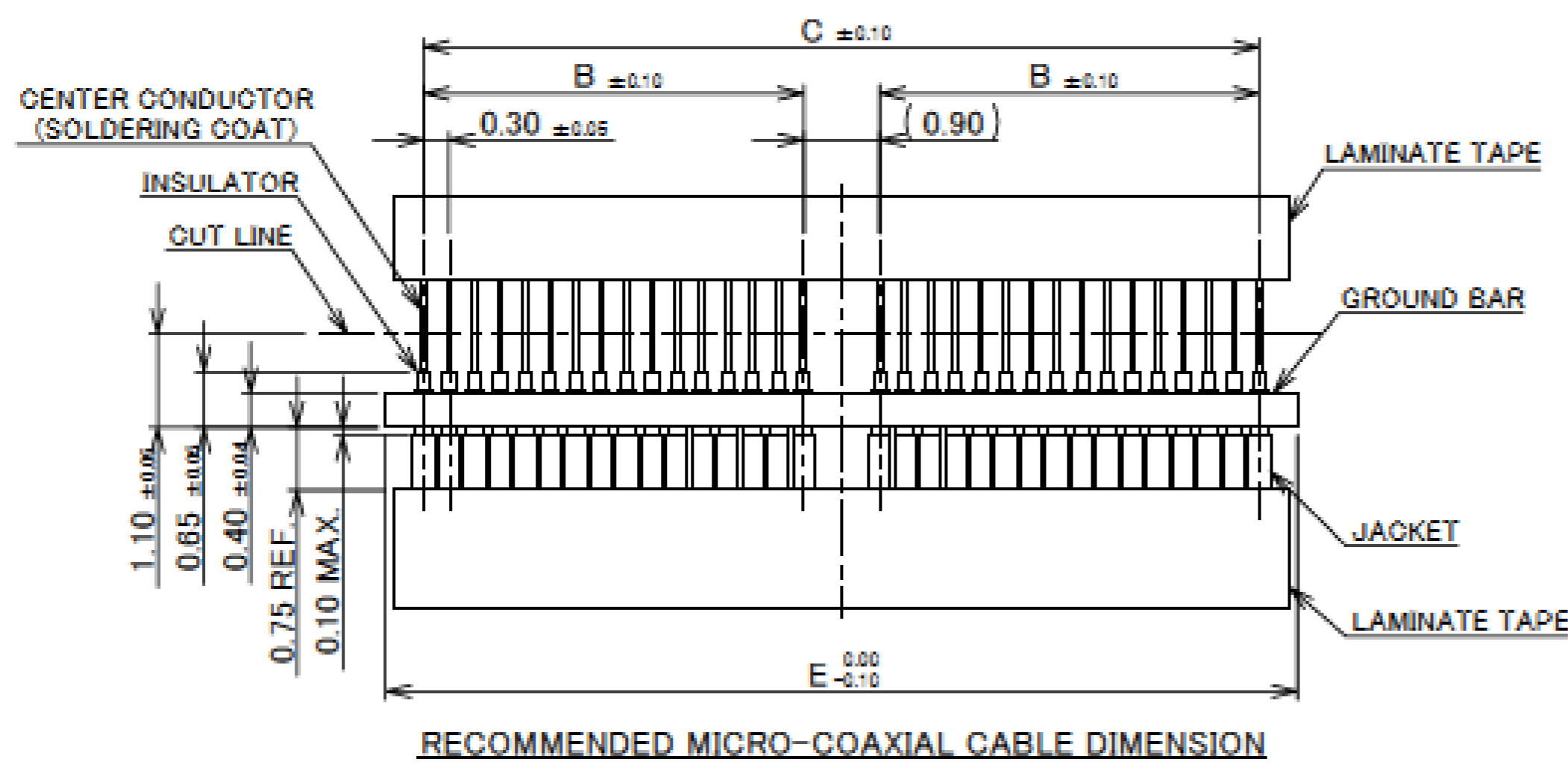
PART COMBINATION TABLE			
PLUG CABLE ASSEMBLY	HOUSING ASSEMBLY	METAL COVER	RECEPTACLE ASSEMBLY
20496-0**-30	20497-0**T-30	2679-0**-00	20498-0**E-3#
20496-0**-40		2679-0**-10	20498-0**E-4#



NO.	DISCRIPTION	MATERIAL	FINISH , REMARKS
4	METAL COVER	STAINLESS STEEL	P/N 20496-0**-30: Au 0.05 μm MIN. OVER Ni 1.00 μm MIN. P/N 20496-0**-40: Sn 1.00 μm MIN. OVER Ni 1.00 μm MIN.
3	SHELL	PHOSPHOR BRONZE	Ni 1.00 μm MIN.
2	CONTACT	PHOSPHOR BRONZE	Au 0.10 μm MIN. OVER Ni 1.00 μm MIN.
1	HOUSING	LCP	UL94V-0, BLACK

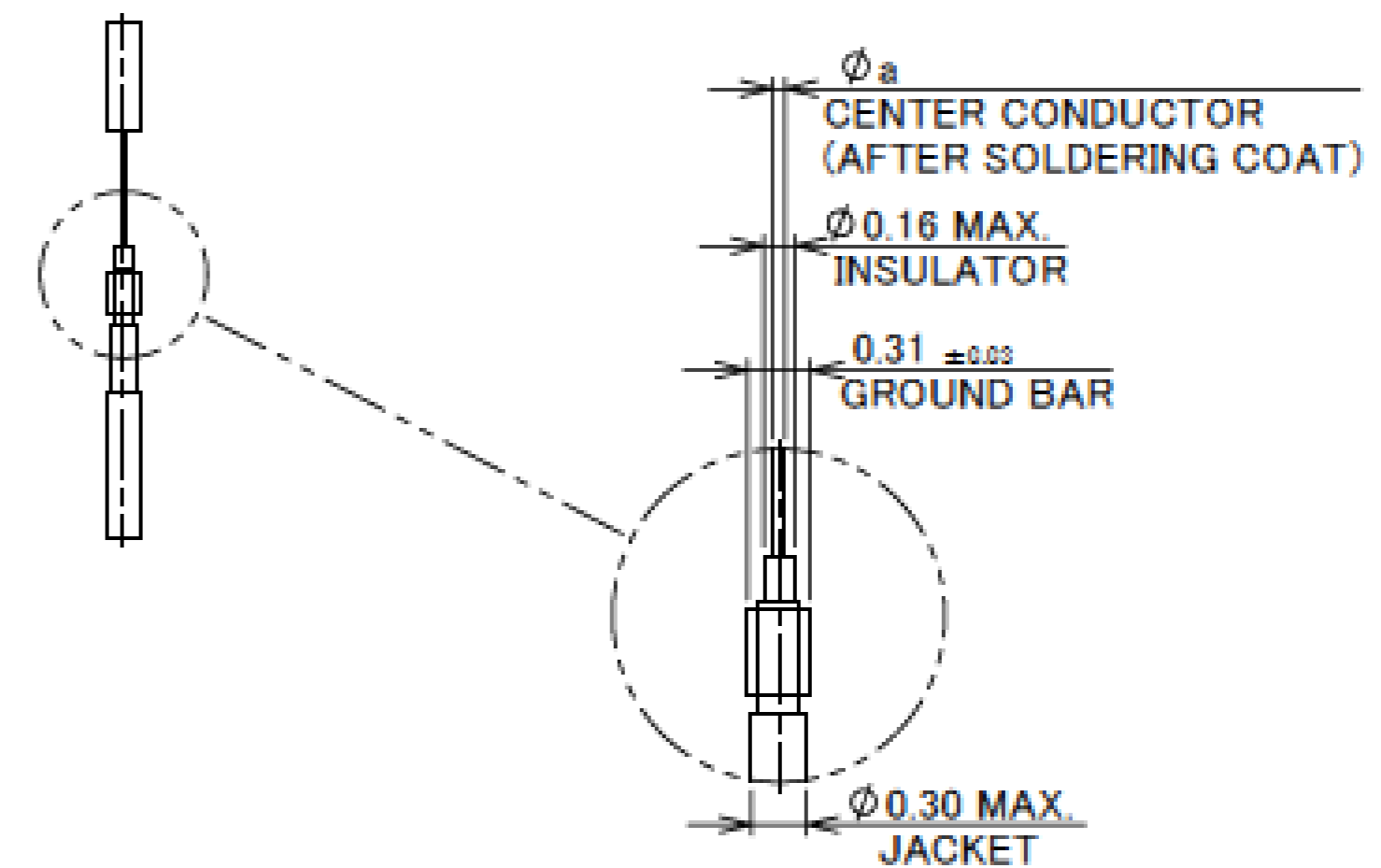
PART No.	POS.	B	C	E
20496-026-#0	26	3.6	8.1	9.0
20496-032-#0	32	4.5	9.9	10.8
◆ 20496-034-#0	34	4.8	10.5	11.4
20496-040-#0	40	5.7	12.3	13.2
20496-050-#0	50	7.2	15.3	16.2

◆ MARK MEANS NOT AVAILABLE



MICRO-COAXIAL CABLE DIMENSION

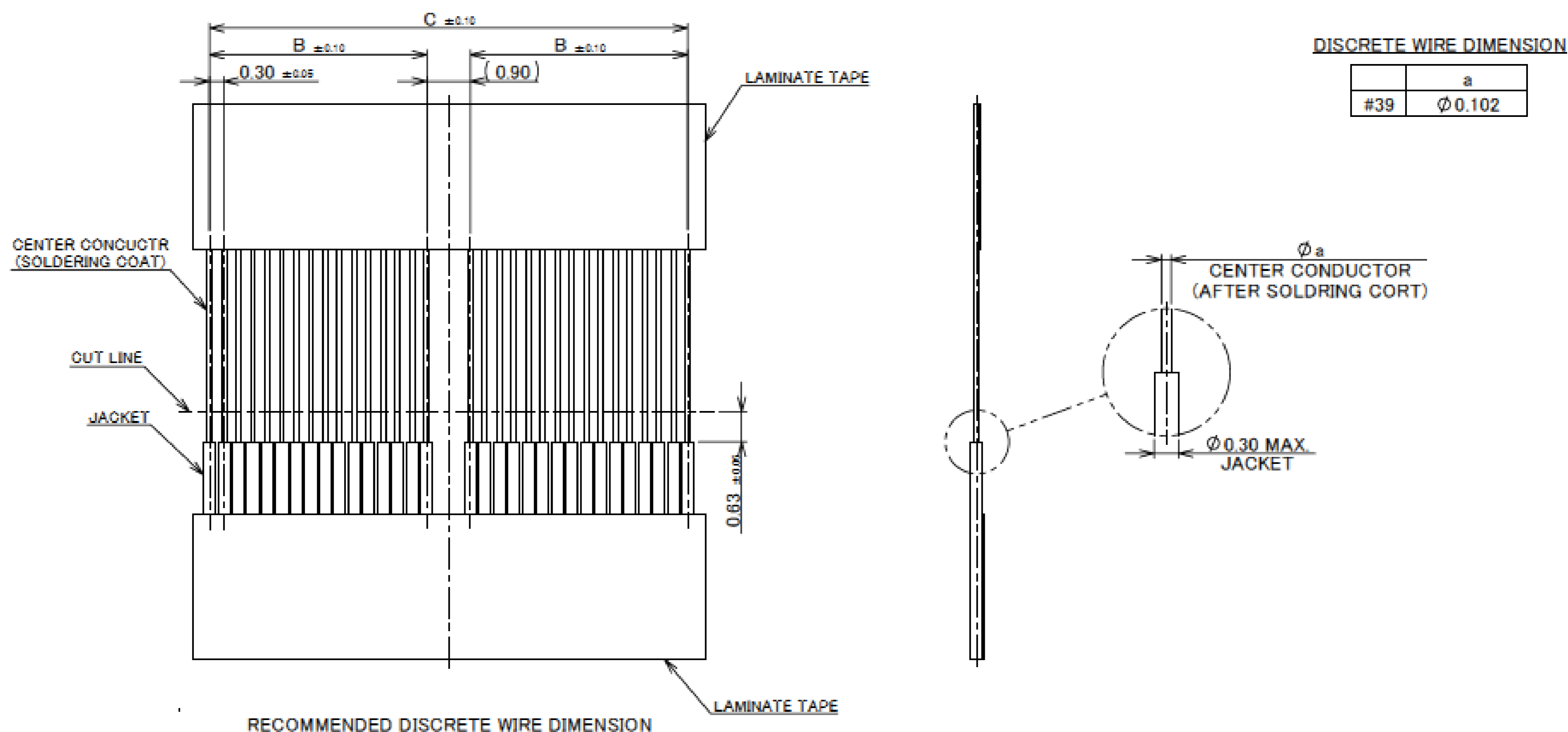
	a
#42	∅ 0.075
#44	∅ 0.063
#46	∅ 0.048



Plug for Cable Assembly

	PART No.	POS.	B	C
	20496-026-#0	26	3.6	8.1
	20496-032-#0	32	4.5	9.9
◆	20496-034-#0	34	4.8	10.5
	20496-040-#0	40	5.7	12.3
	20496-050-#0	50	7.2	15.3

◆MARK MEANS NOT AVAILABLE



Rev.17

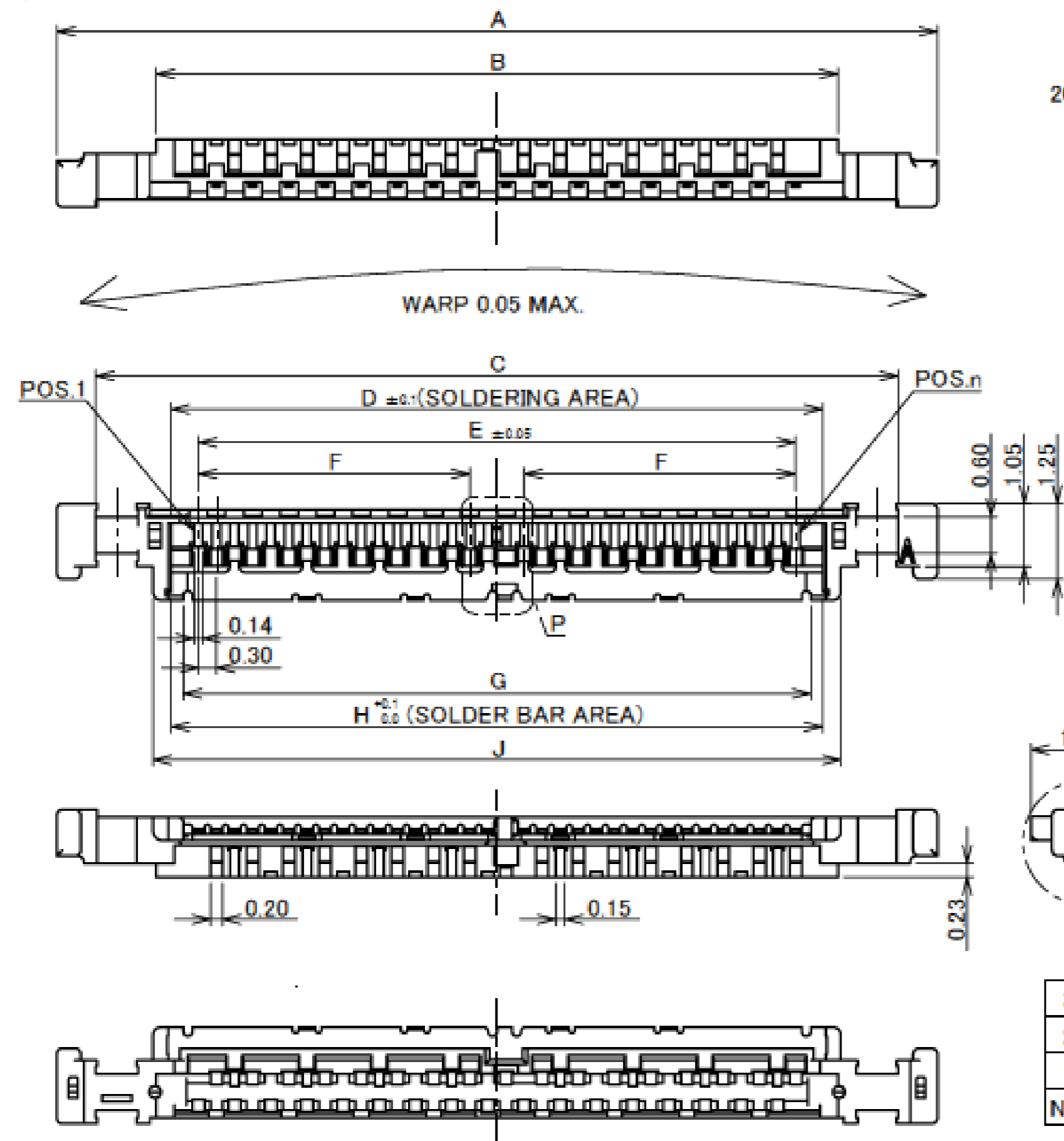
ITEMS	SPECIFICATION
APPLICABLE CABLE	MICRO-COAXIAL CABLE : AWG# 46 , 44 , 42 DISCRETE WIRE : AWG# 39
RATING VOLTAGE	50V AC (PER CONTACT PIN)
RATING AMPERAGE (FOR CONTACT)	0.50A AC/DC [AWG#39] (PER CONTACT PIN / UP TO 10 CONTACTS) 0.15A AC/DC [AWG#46] 0.19A AC/DC [AWG#44] 0.20A AC/DC [AWG#42]
OPERATING TEMPERATURE	233~358K(-40°C~+85°C)
OPERATING HUMIDITY	85% MAX.(NON-CONDENSING)
CONTACT RESISTANCE	INITIAL : 450mohm MAX.(AWG#39) 700mohm MAX.(AWG#42) 1080mohm MAX.(AWG#44) 1880mohm MAX.(AWG#46) AFTER TEST : \triangleleft 40mohm MAX.
GROUND CONTACT RESISTANCE	INITIAL : 100mohm MAX. / AFTER TEST : \triangleleft 40mohm MAX.
INSULATION RESISTANCE	INITIAL : 100Mohm MIN. / AFTER TEST : 100Mohm MIN.
DIELECTRIC WITHSTANDING VOLTAGE	AC100V 1min
DURABILITY	20 CYCLES
MATING FORCE (INITIAL / 20 CYCLES)	26P : 28.0N MAX. 32P : 34.5N MAX. 40P : 40.0N MAX. 50P : 50.0N MAX.
UNMATING FORCE (INITIAL / 20 CYCLES)	26P : 3.0N MIN. 32P : 3.0N MIN. 40P : 3.0N MIN. 50P : 3.0N MIN.
CABLE RETENTION FORCE	15.0N MIN. (AWG# 44)
PRODUCT SPECIFICATION	PRS-1469
TEST REPORT	TR-09032
INSTRUCTION MANUAL	HIM-09006
ASSEMBLY MANUAL	ASM-09004
APPEARANCE CRITERIA No.	QLS-A***

Rev.17

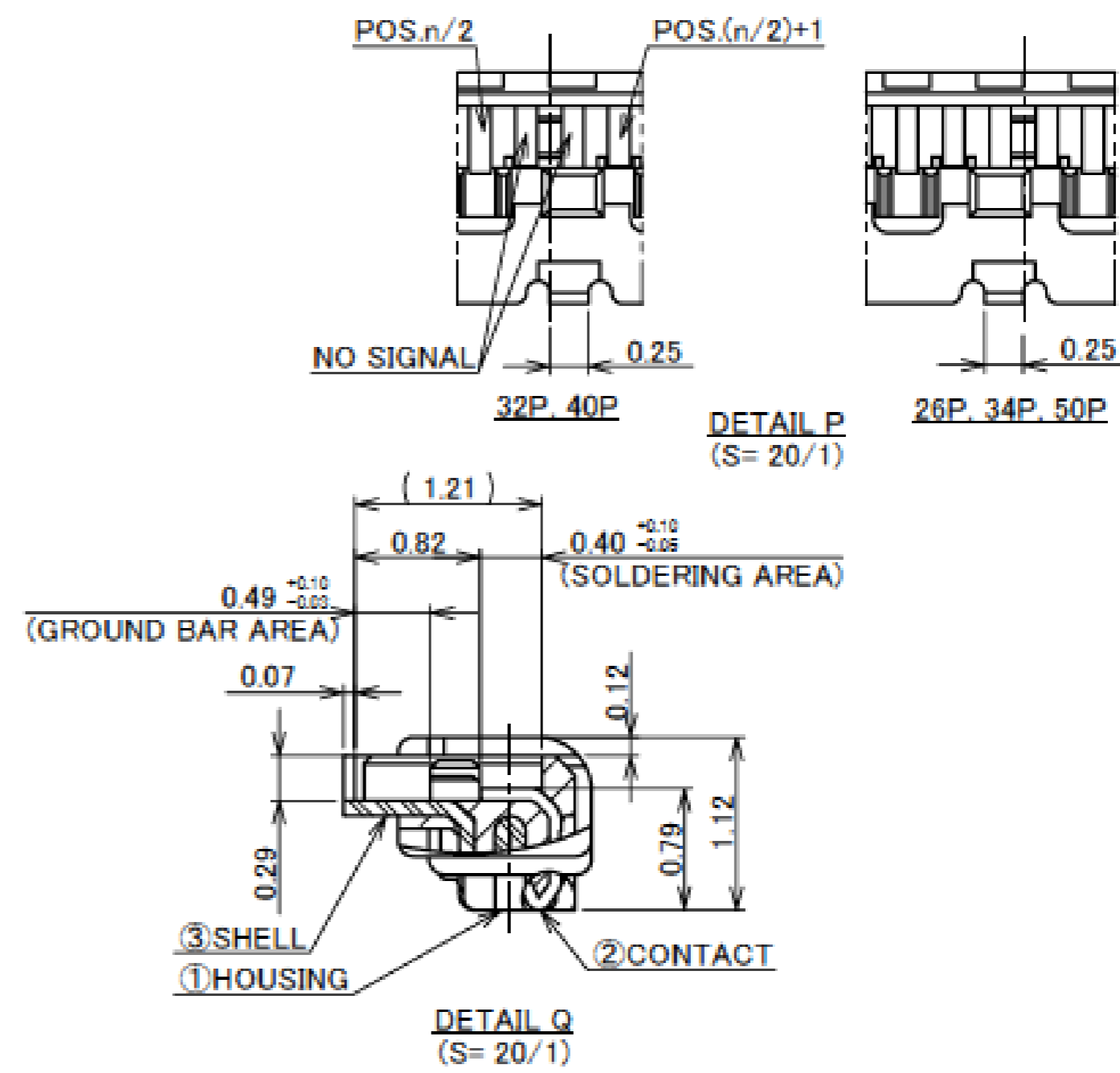
Plug Housing Assembly

Recommended P/N		20497-0**T-30									
PART No.	POS.	A	B	C	D	E	F	G	H	J	
20497-026T-30	26	12.8	9.5	11.5	9.0	8.1	3.6	8.6	9.0	9.6	
20497-032T-30	32	14.6	11.3	13.3	10.8	9.9	4.5	10.4	10.8	11.4	
◆ 20497-034T-30	34	15.2	11.9	13.9	11.4	10.5	4.8	11.0	11.4	12.0	
20497-040T-30	40	17.0	13.7	15.7	13.2	12.3	5.7	12.8	13.2	13.8	
20497-050T-30	50	20.0	16.7	18.7	16.2	15.3	7.2	15.8	16.2	16.8	

◆ MARK MEANS NOT AVAILABLE.



PART COMBINATION TABLE		
PLUG CABLE ASS'Y	PLUG HOUSING ASS'Y	METAL COVER
20496-0**-30	20497-0**T-30	2679-0**-00
20496-0**-40		2679-0**-10



NO.	DISCRIPTION	MATERIAL	FINISH, REMARKS
3	SHELL	PHOSPHOR BRONZE	Ni 1.00 μm MIN.
2	CONTACT	PHOSPHOR BRONZE	Au 0.1 μm MIN. OVER Ni 1.00 μm MIN.
1	HOUSING	LCP	UL94V-0, BLACK

NOTES

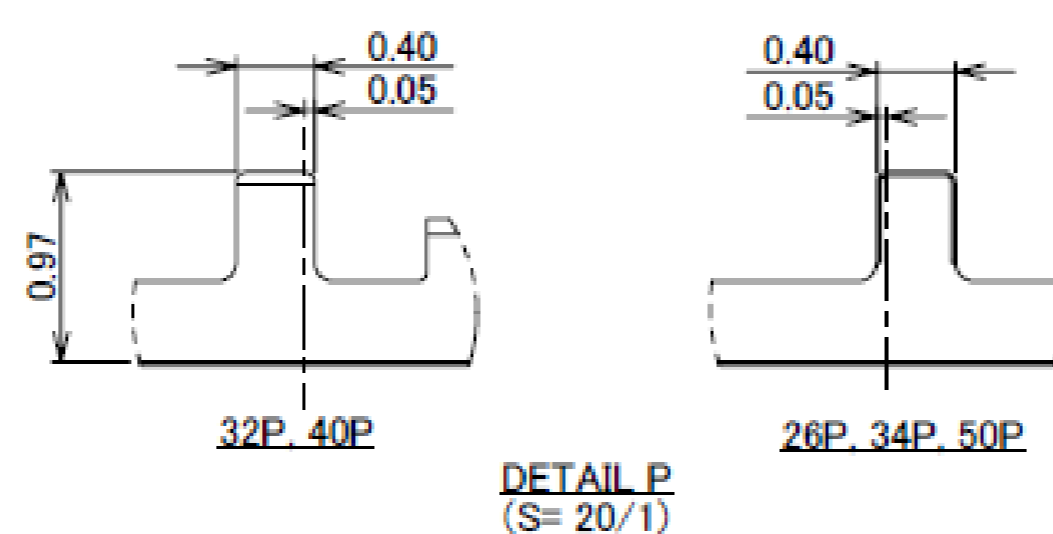
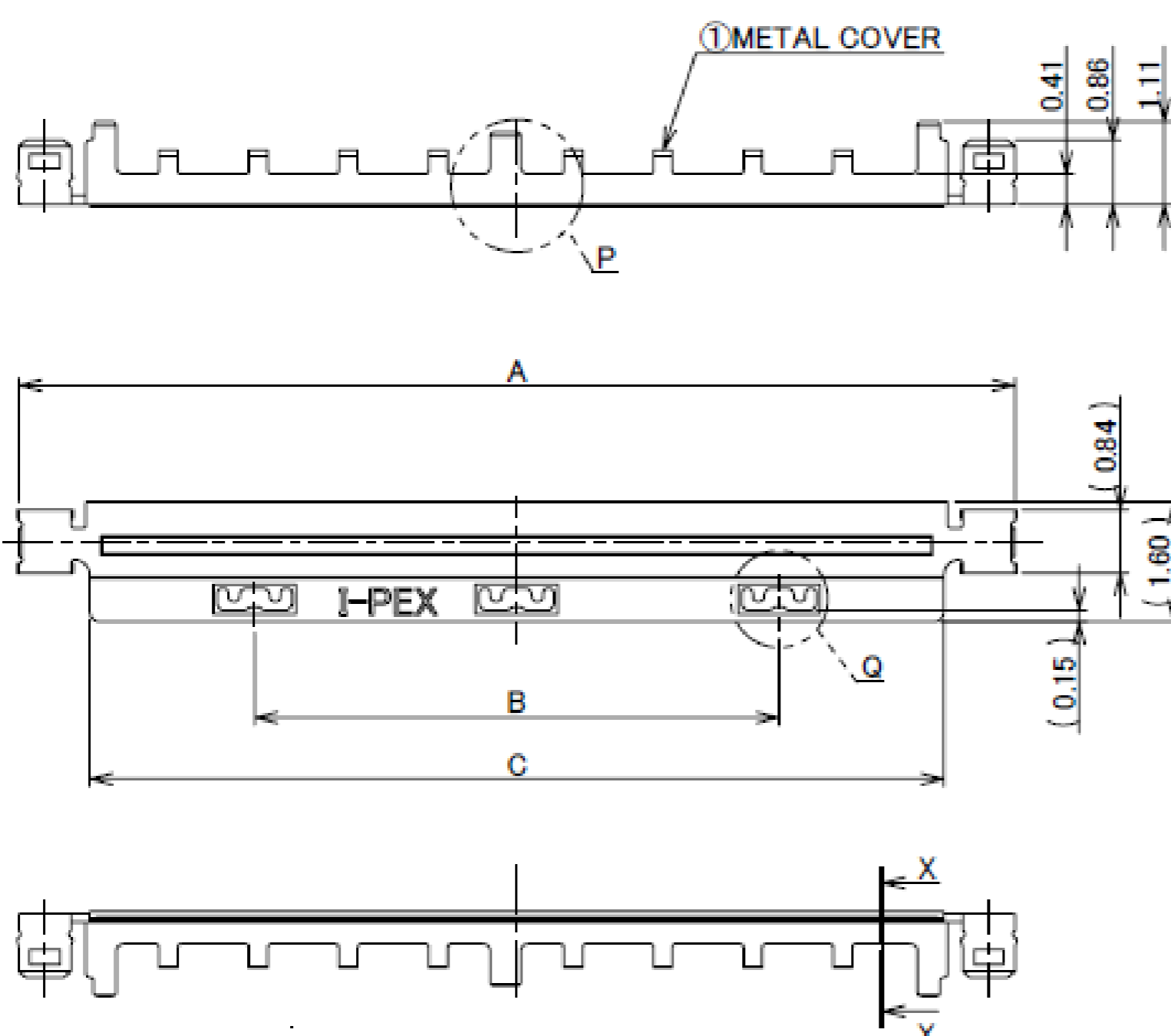
- THIS PART IS ASSEMBLED METAL COVER (P/N 2679-0**-#0) AFTER SOLDERED THE COAXIAL CABLE, AND IT BECOMES P/N 20496-0**-#0.
- PRODUCT SPECIFICATION : DOCUMENT No. PRS-1469
ASSEMBLY MANUAL : DOCUMENT No. ASM-09004

Rev.13

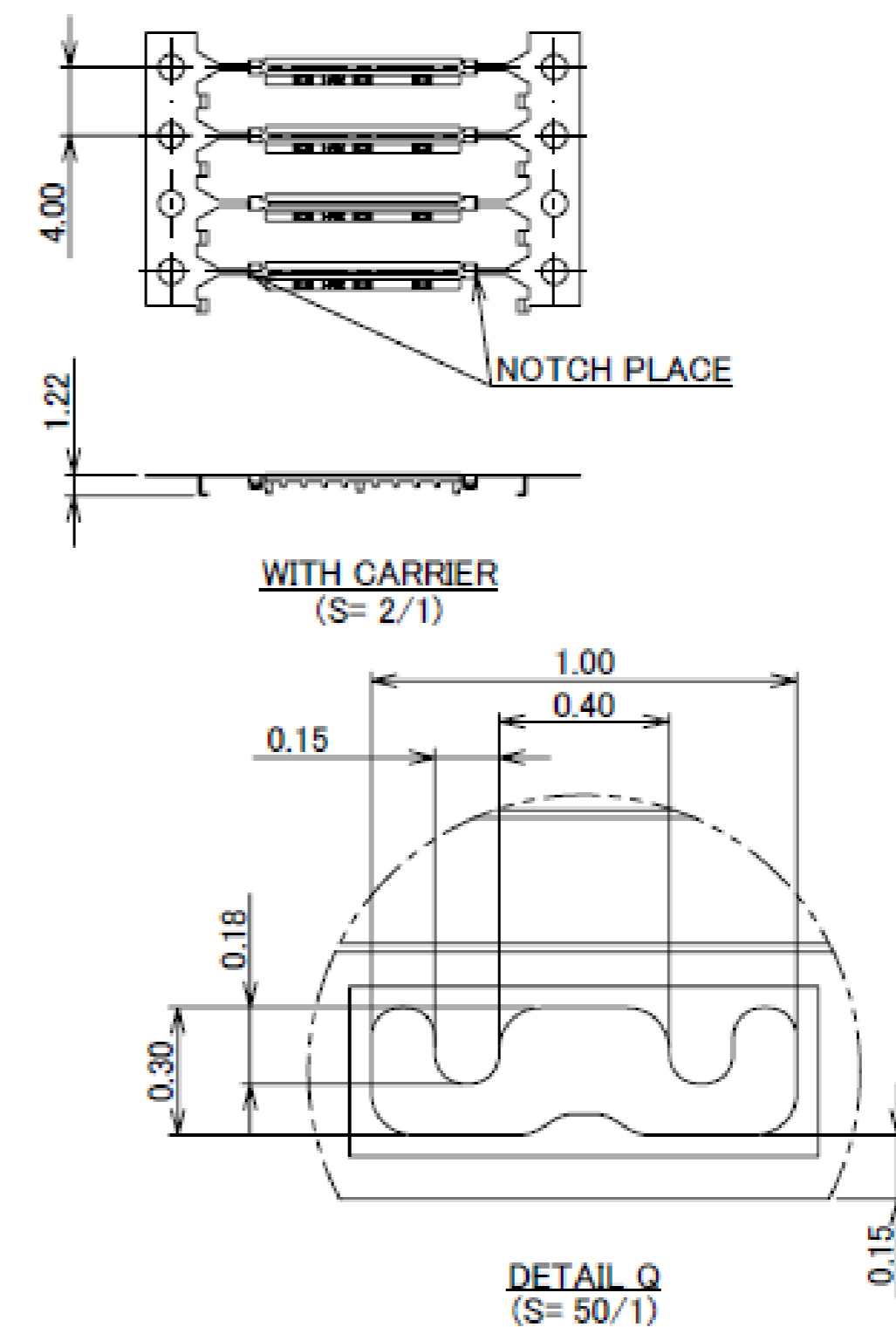
Plug Metal Cover

Recommended P/N		2679-0**-10		
PART NO.	POS.	A	B	C
2679-026-#0	26	11.5	6.0	9.6
2679-032-#0	32	13.3	7.0	11.4
◆ 2679-034-#0	34	13.9	8.0	12.0
2679-040-#0	40	15.7	8.0	13.8
2679-050-#0	50	18.7	12.0	16.8

◆ MARK MEANS NOT AVAILABLE.



2679-0**-#0
0: METAL COVER Au PLATING
1: METAL COVER Sn PLATING
Pos.



NO.	DISCRIPTION	MATERIAL	FINISH, REMARKS
1	METAL COVER	STAINLESS STEEL	t=0.12 P/N 2679-0**-00: Au 0.05 μm MIN. OVER Ni 1.00 μm MIN. P/N 2679-0**-10: Sn 1.00 μm MIN. OVER Ni 1.00 μm MIN.

NOTES

- APPLICABLE PLUG HOUSING ASS'Y
P/N 20497-0**T-30
- PRODUCT SPECIFICATION : DOCUMENT No. PRS-1469
ASSEMBLY MANUAL : DOCUMENT No. ASM-09004

Rev.8

Receptacle Assembly

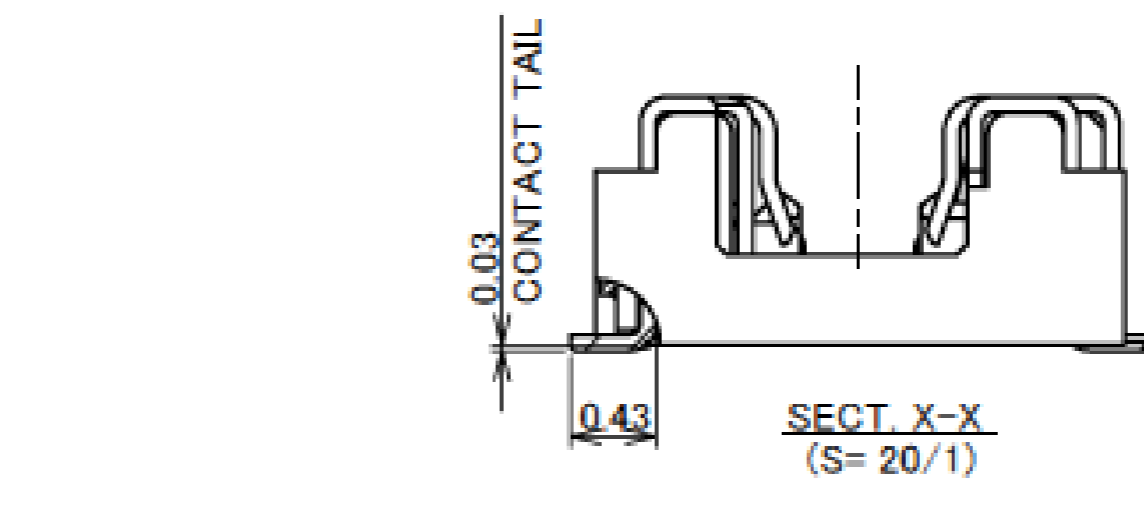
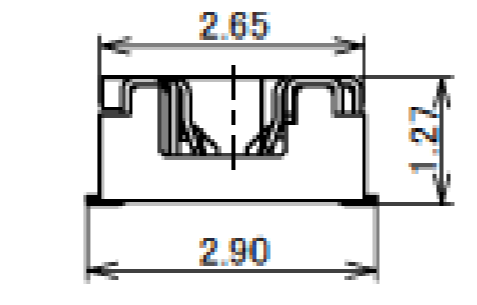
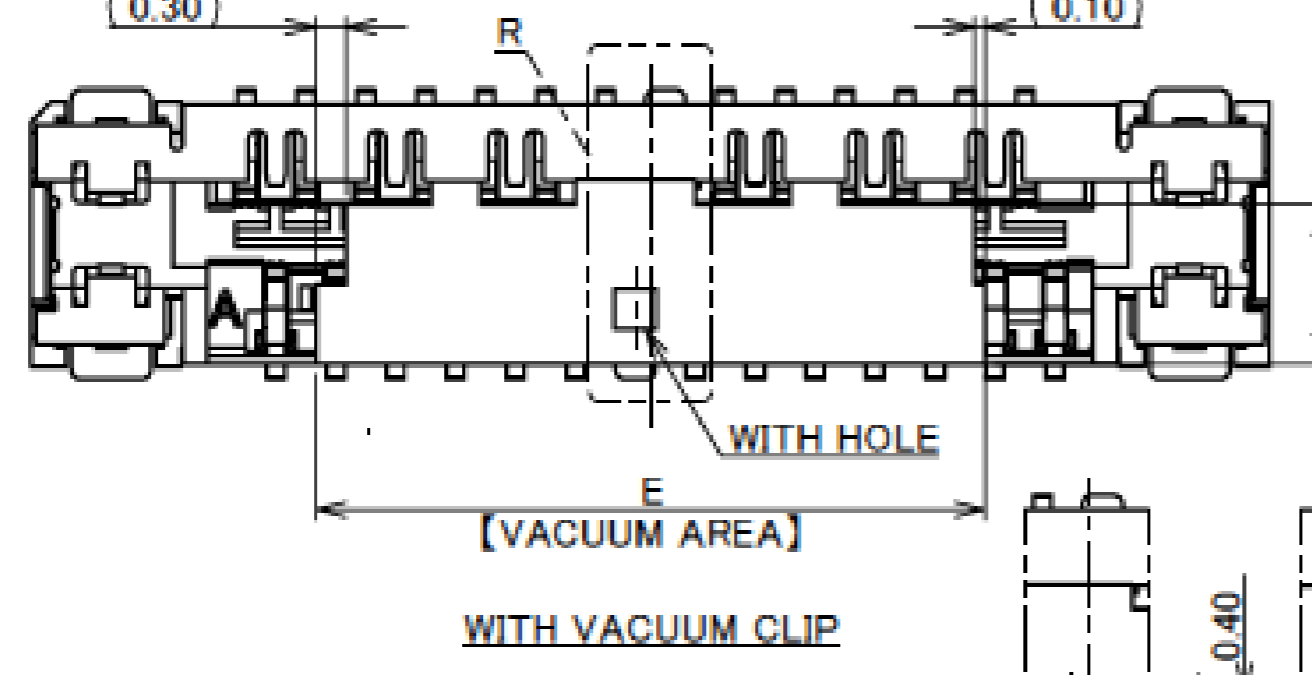
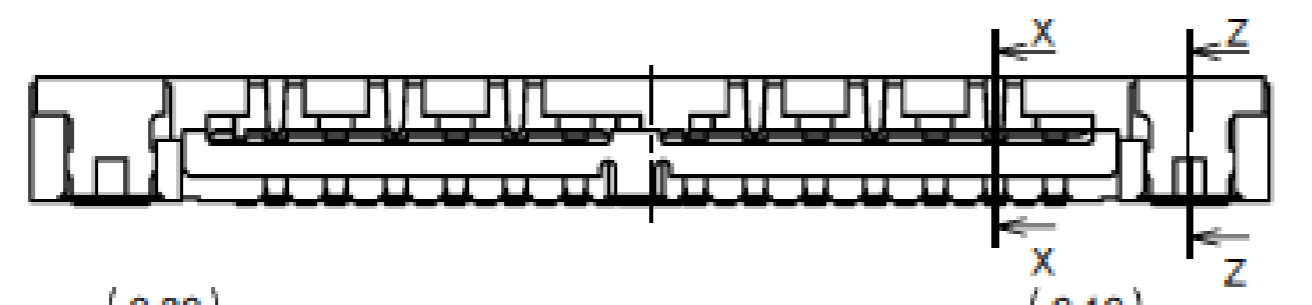
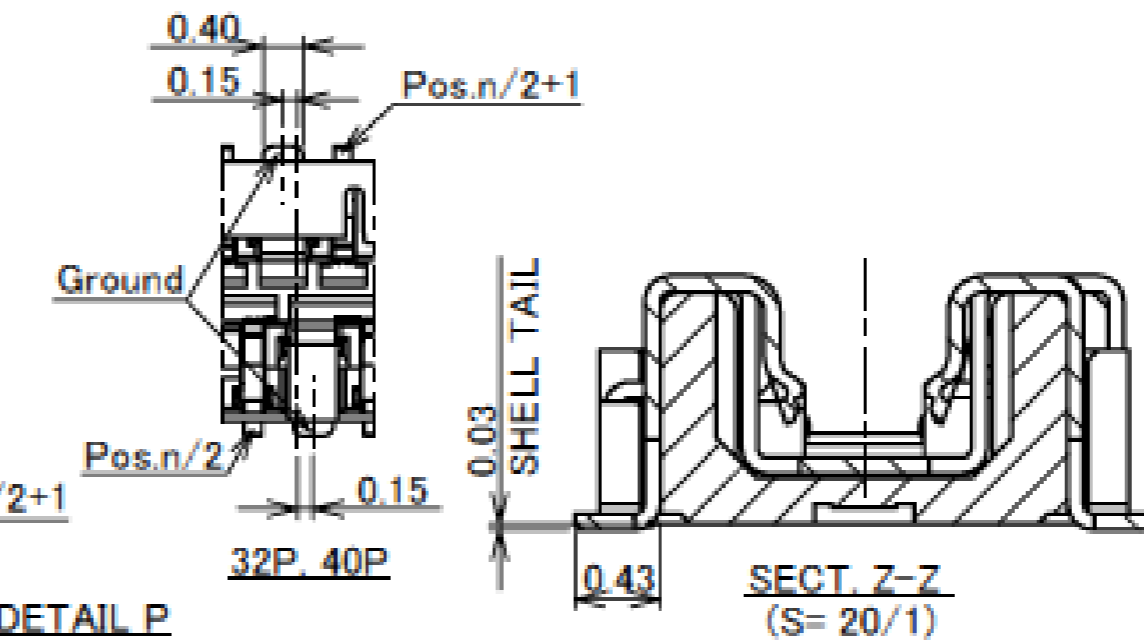
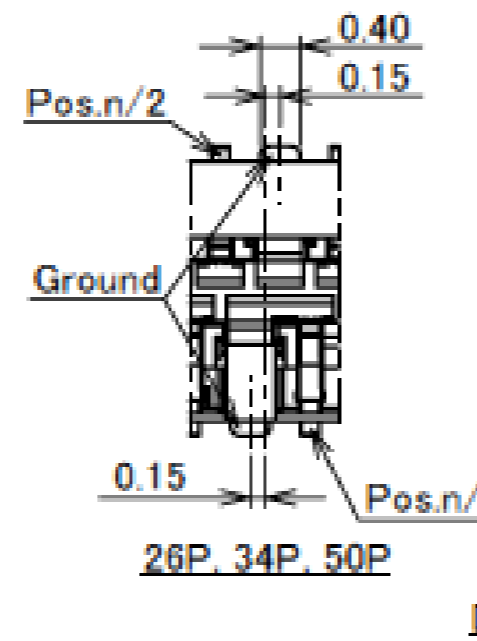
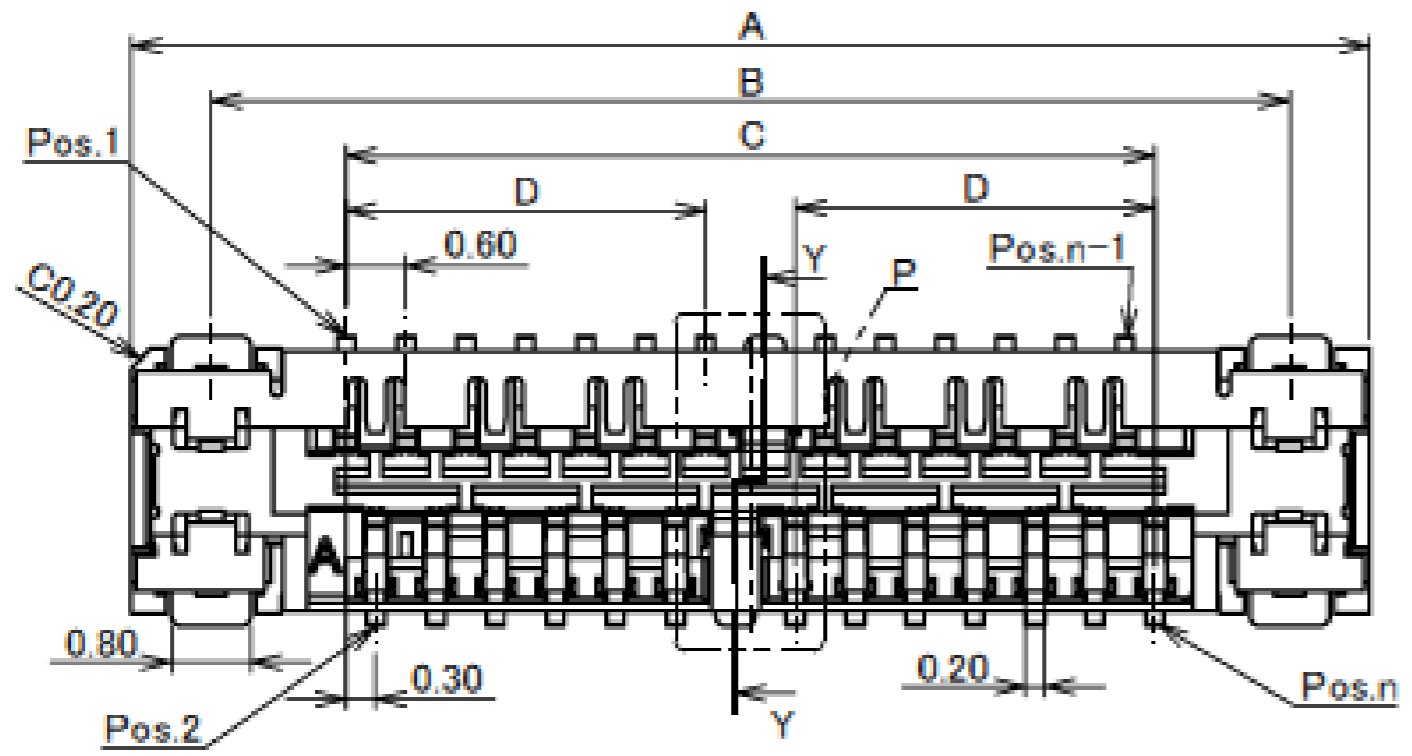
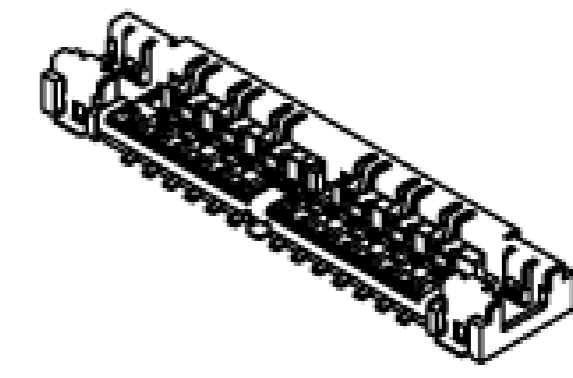
Recommended P/N		20498-0**E-41				
PART No.	Pos.	A	B	C	D	E
20498-026E-##	26	12.4	10.8	8.1	3.6	6.7
20498-032E-##	32	14.2	12.6	9.9	4.5	10.9
◆ 20498-034E-##	34	14.8	13.2	10.5	4.8	11.5
20498-040E-##	40	16.6	15.0	12.3	5.7	10.9
20498-050E-##	50	19.6	18.0	15.3	7.2	11.5

◆ MARK MEANS NOT AVAILABLE

20498-0**E-##
 0 : WITHOUT VACUUM CLIP
 1 : WITH VACUUM CLIP
 3 : SHELL Au PLATING
 4 : SHELL Sn PLATING
 Pos.



PART COMBINATION TABLE	
RECEPTACLE ASSEMBLY	PLUG CABLE ASSEMBLY
20498-0**E-3#	20496-0**--30
20498-0**E-4#	20496-0**--40

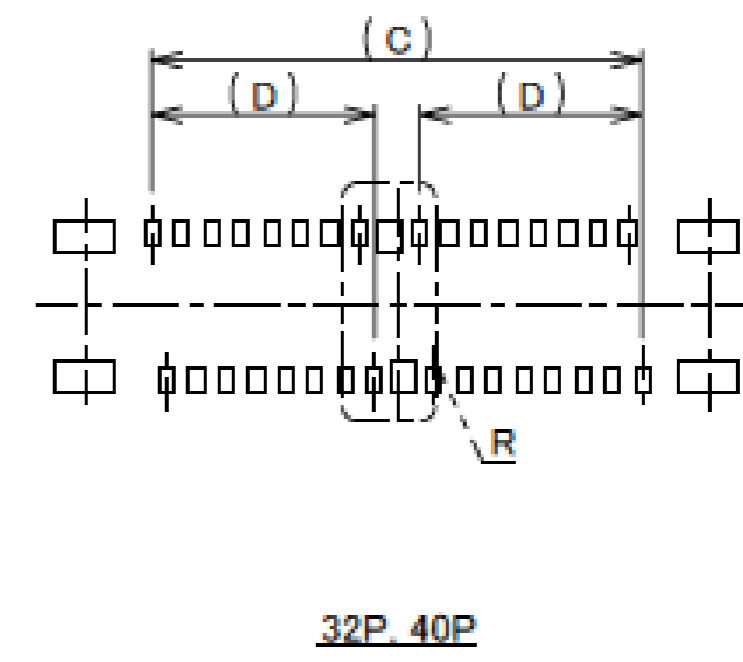
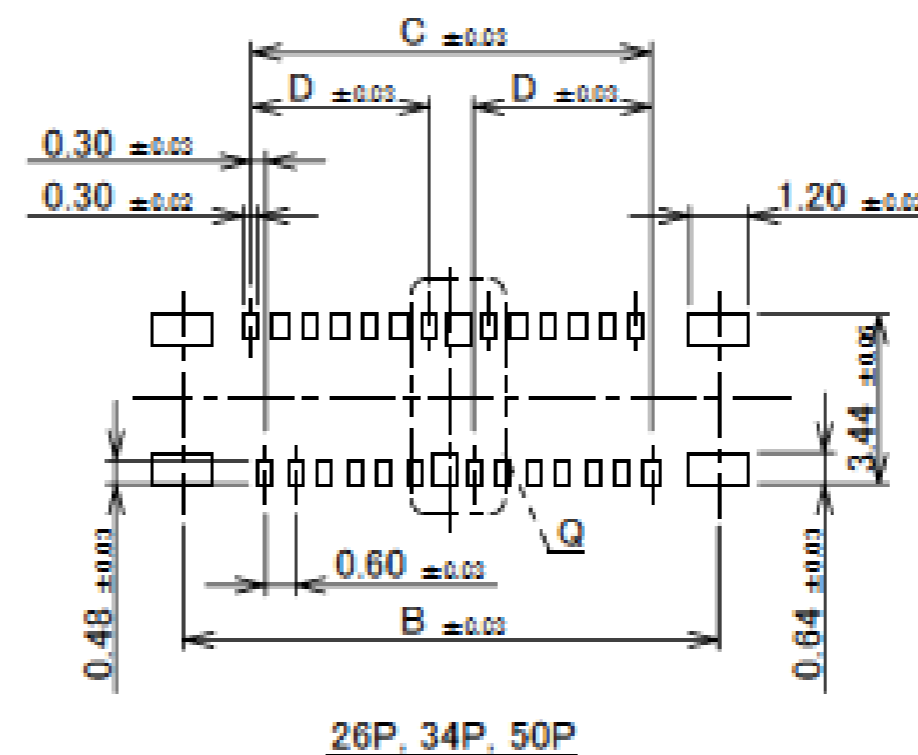
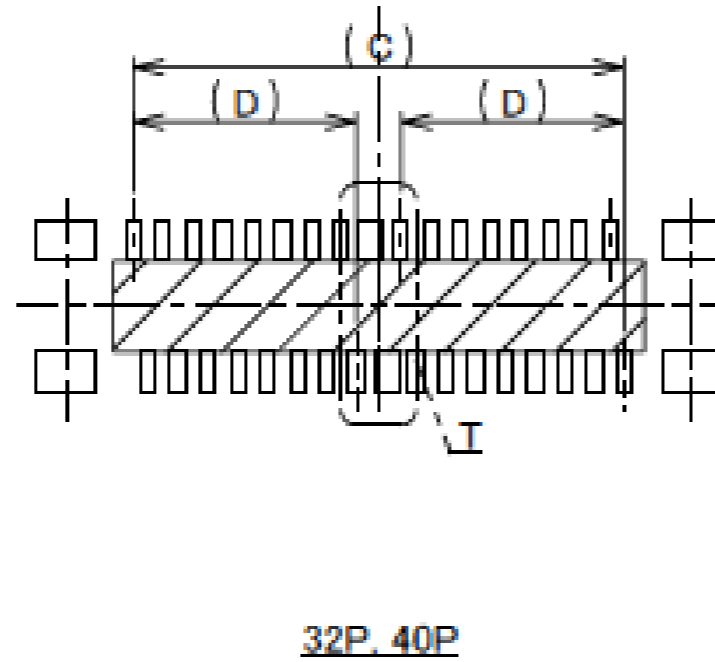
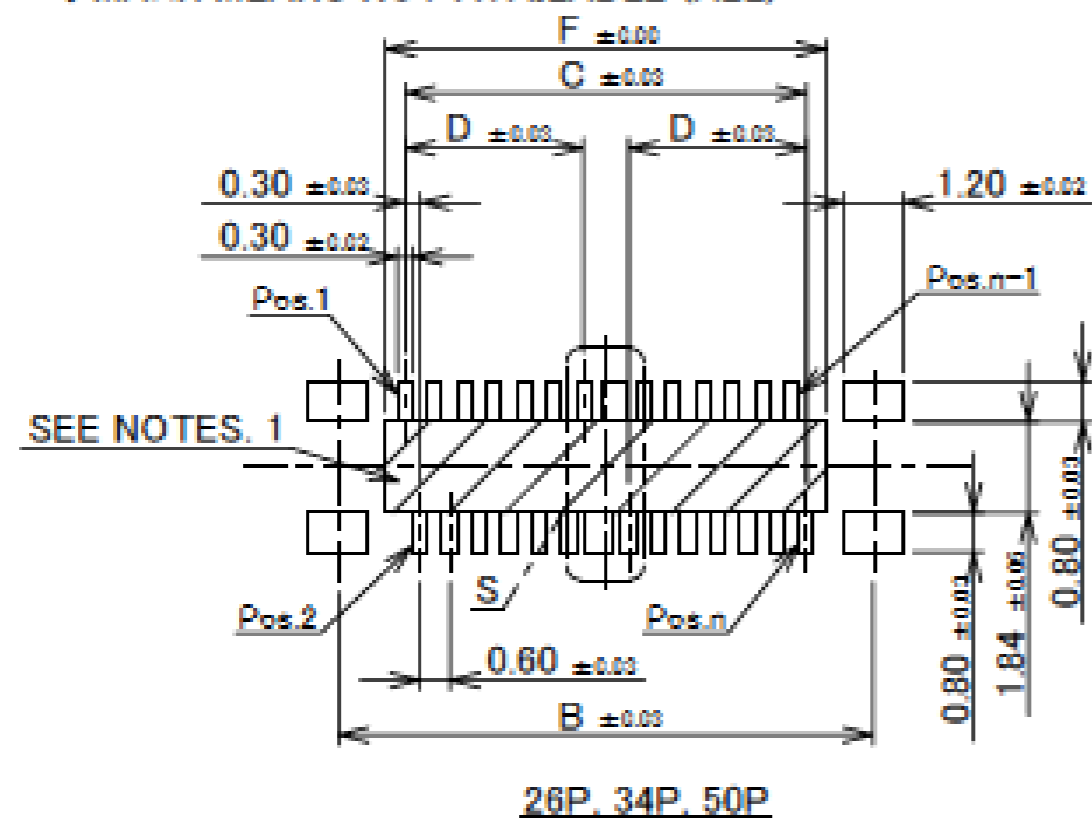


NO.	DISCRIPTION	MATERIAL	FINISH, REMARKS
4	VACUUM CLIP	LCP	UL94V-0
3	SHELL	PHOSPHOR BROMZE	P/N 20498-0**E-3#: Au 0.02 μm MIN. OVER Ni 1.00 μm MIN. P/N 20498-0**E-4#: Sn 2.00 μm MIN. OVER Ni 1.00 μm MIN.
2	CONTACT	PHOSPHOR BRONZE	ALL OVER : Ni 1.00 μm MIN. CONTACT AREA : Au 0.1 μm MIN. SOLDERING AREA : Au 0.05 μm MIN.
1	HOUSING	LCP	UL94V-0

Rev.19

PART No.	Pos.	A	B	C	D	F
20498-026E-##	26	12.4	10.8	8.1	3.6	8.9
20498-032E-##	32	14.2	12.6	9.9	4.5	10.7
◆ 20498-034E-##	34	14.8	13.2	10.5	4.8	11.3
20498-040E-##	40	16.6	15.0	12.3	5.7	13.1
20498-050E-##	50	19.6	18.0	15.3	7.2	16.1

◆ MARK MEANS NOT AVAILABLE (ALL)



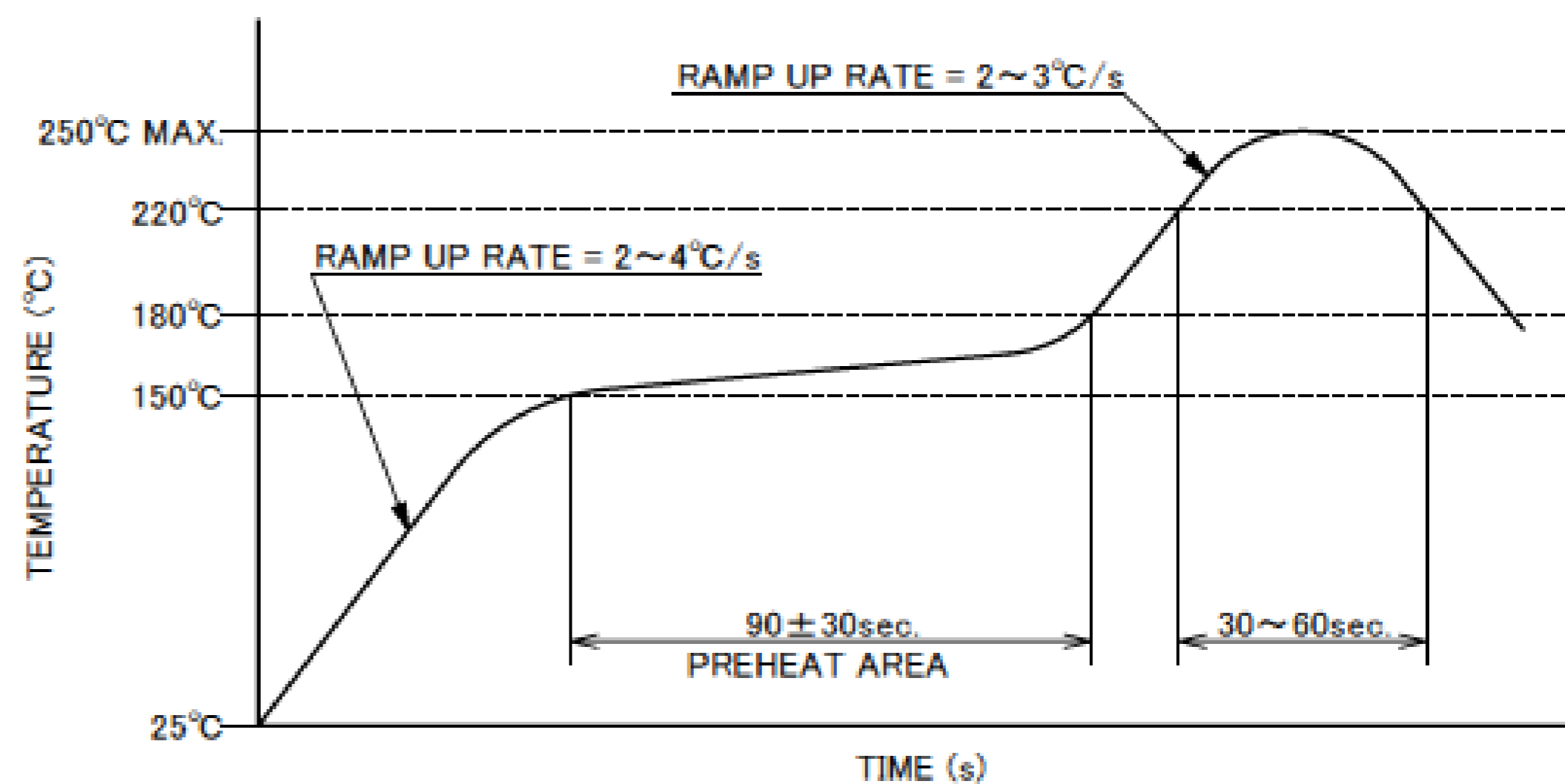
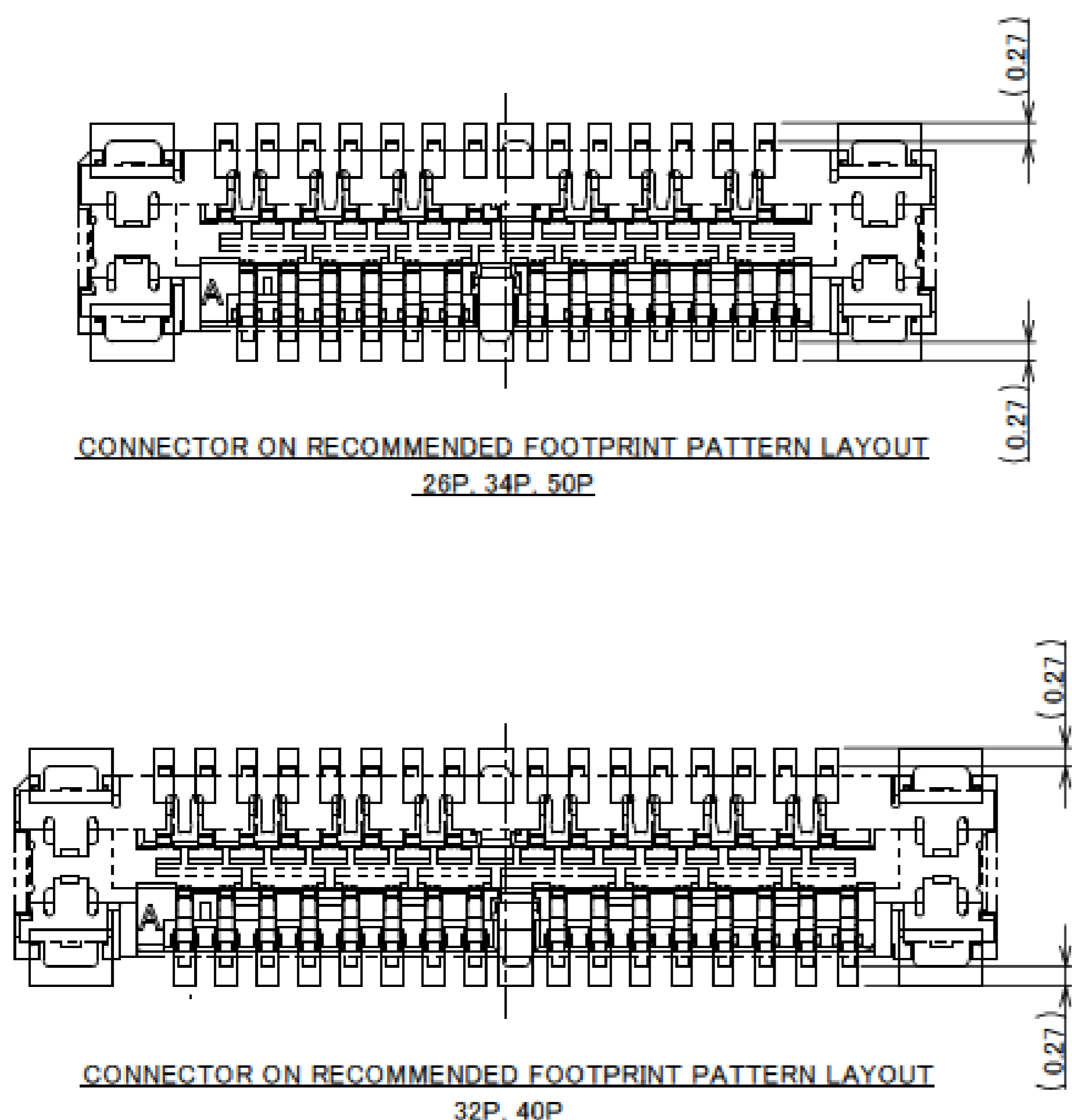
RECOMMENDED FOOTPRINT PATTERN LAYOUT

RECOMMENDED FOOTPRINT METAL MASK LAYOUT
 METAL MASK THICKNESS : t=0.12 μm

NOTES.
 1. SOLDER RESIST MUST BE APPLIED TO THIS AREA

Rev.19

Receptacle Assembly



REFLOW TEMPERATURE PROFILE
SENJU METAL INDUSTRY CO., LTD. : M705-SHF(Sn96.5 Ag3.0 Cu0.5)

Rev.19

ITEMS	SPECIFICATION
APPLICABLE CABLE	MICRO-COAXIAL CABLE : AWG# 46 , 44 , 42 DISCRETE WIRE : AWG# 39
RATING VOLTAGE	50V AC (PER CONTACT PIN)
RATING AMPERAGE (FOR CONTACT)	0.50A AC/DC [AWG#39] (PER CONTACT PIN / UP TO 10 CONTACTS) 0.20A AC/DC [AWG#42] 0.19A AC/DC [AWG#44] 0.15A AC/DC [AWG#46] ※ TESTING BY A REAL MACHINE IS RECOMENDED BECAUSE TEMPERATURE RISE MAY AFFECTED BY ACTUAL SITUATION
OPERATING TEMPERATURE	233~358K(-40°C~+85°C)
OPERATING HUMIDITY	85% MAX.(NON-CONDENSING)
CONTACT RESISTANCE	INITIAL : 450mohm MAX.(AWG#39) 700mohm MAX.(AWG#42) 1080mohm MAX.(AWG#44) 1880mohm MAX.(AWG#46) AFTER TEST : $\triangleleft 40\text{mohm}$ MAX.
GROUND CONTACT RESISTANCE	INITIAL : 100mohm MAX. / AFTER TEST : $\triangleleft 40\text{mohm}$ MAX.
INSULATION RESISTANCE	INITIAL : 100Mohm MIN. / AFTER TEST : 100Mohm MIN.
DIELECTRIC WITHSTANDING VOLTAGE	AC100V 1min
DURABILITY	20 CYCLES
MATING FORCE (INITIAL / 20 CYCLES)	26P : 28.0N MAX. 32P : 34.5N MAX. 40P : 40.0N MAX. 50P : 50.0N MAX.
UNMATING FORCE (INITIAL / 20 CYCLES)	26P : 3.0N MIN. 32P : 3.0N MIN. 40P : 3.0N MIN. 50P : 3.0N MIN.
COPLANARITY	0.10MAX
CABLE RETENTION FORCE	15.0N MIN. (AWG# 44)
PRODUCT SPECIFICATION	PRS-1469
TEST REPORT	TR-09032
PACKING STANDARD	300-697
INSTRUCTION MANUAL	HIM-09006
ASSEMBLY MANUAL	ASM-09004
APPEARANCE CRITERIA No.	QLS-A***

Rev.19

Custom Connectors Available

 RF Connector

MHF® series



Micro-coaxial/Twinax/
Discrete Wire Connector



CABLINE® series



Optical Module

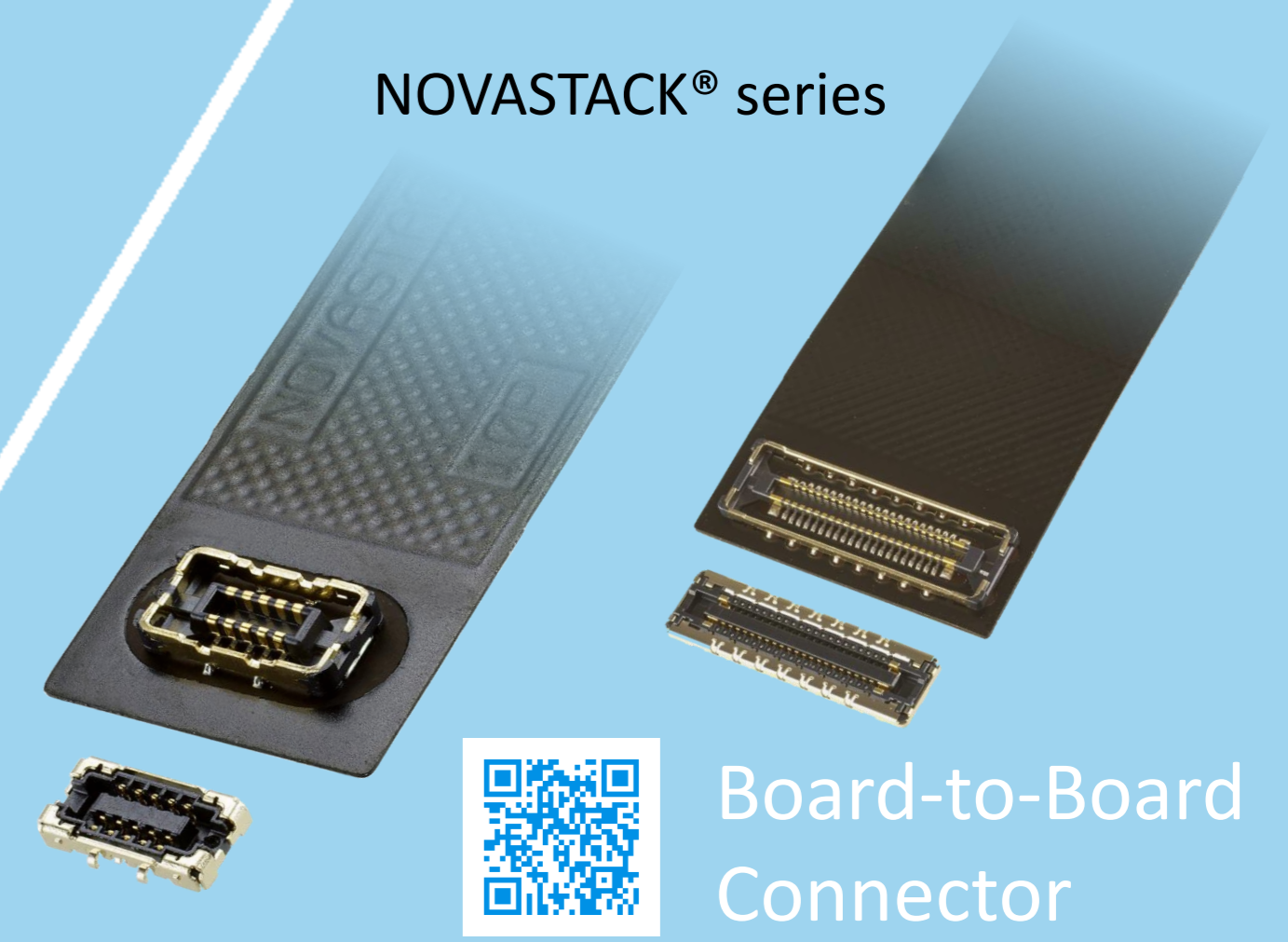
LIGHTPASS® series



NOVASTACK® series



Board-to-Board Connector



Power Connector/
Terminal

AP series

ISH® series



MINIFLEX® series

EVAFLEX® series



FPC FFC Connector



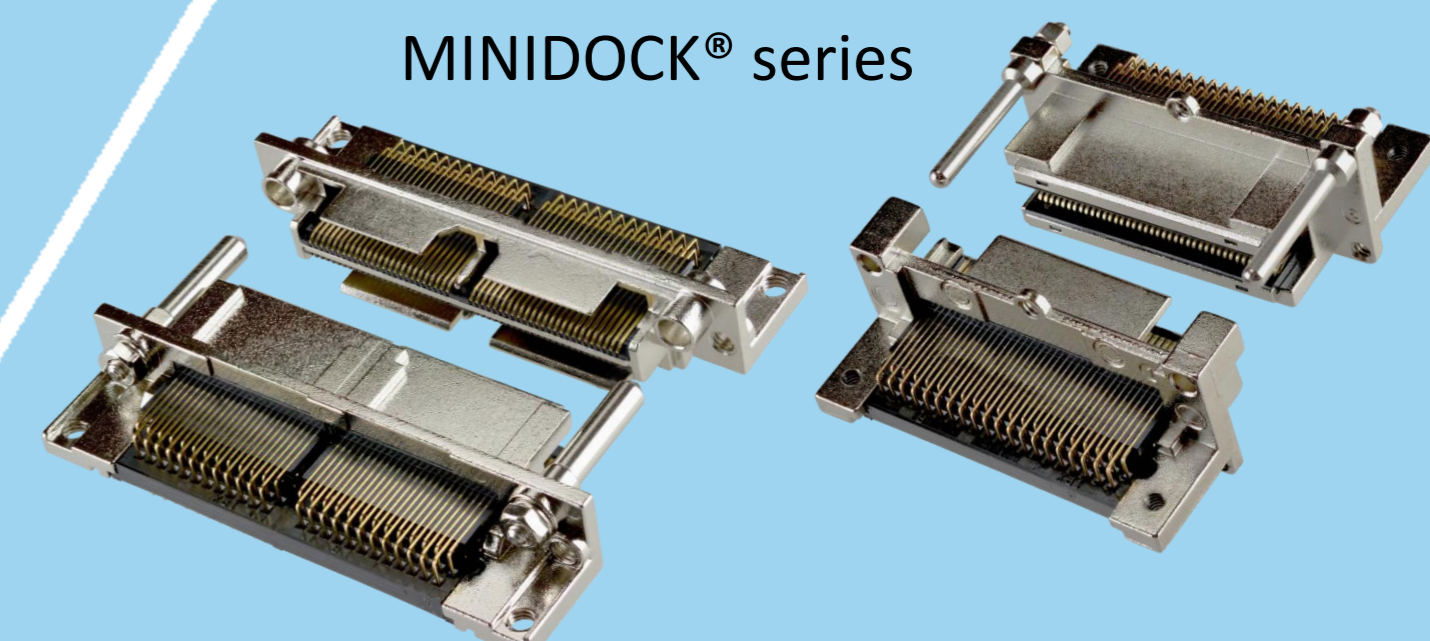
Inquiry



MINIDOCK® series



I/O Connector



I-PEX, MHF, CABLINE, LIGHTPASS, NOVASTACK, ISH, IARPB, MINIFLEX, EVAFLEX, MINIDOCKS and ZenShield are registered trademarks of I-PEX Inc. Please note that the contents in the catalog might be changed without prior notification. I-PEX Inc. assumes no responsibility for any inaccuracies or obligation to update information on these documents. Please be sure to read and understand the latest "Precautions for Use" and "Instruction Manual" before you use our products. We shall not be responsible for any defects, damages or troubles in case you use our products without following the precautions for use. Please feel free to contact our sales representatives when you use our products for any applications that require very high reliability and safety, or that relate to human life (ex. nuclear power control, aerospace, transportation, medical equipment, safety equipment etc.).

Contact your sales representative or more detailed information.

www.i-pex.com



I-PEX

© I-PEX Inc. 2024
All rights reserved