

CABLIN[®]-SS

窄型，堅固，垂直插拔，水平出線，能夠承受較大電流 (AWG#34)
間距0.4 mm，耐高溫，耐高濕型可選

Product Specifications:

Mating type	Right angle vertical	
Board Pitch (mm)	0.4	
Wiping Length (mm)	0.3	
Mated size (mm)	Height	1.65 +/- 0.2
	Width	5.8 + (0.4*p)
	Depth	3.0
Pin Counts	Range	Up to 50
	Available	10, 14, 20, 30, 32, 35, 40, 50

Applicable Cable Size:

Maximum O.D. (mm)	0.4
Micro-Coaxial for Signal (AWG)	45 ohm : #38 or smaller 50 ohm : #40 or smaller
Twin Coaxial (AWG)	-
Discrete (AWG)	#34 or smaller

Applicable Standards (Reference Only):

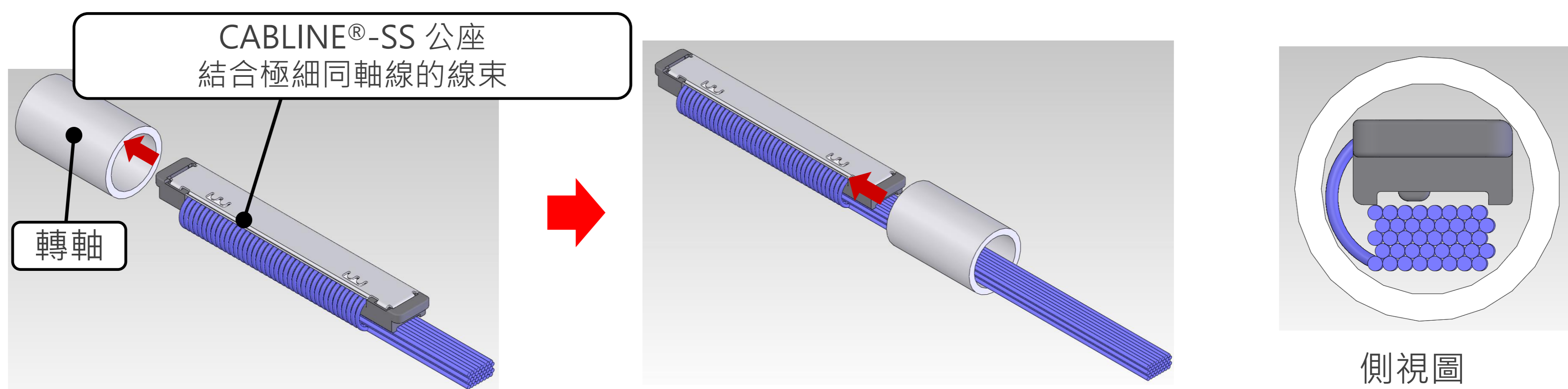
eDP HBR 2 (5.4 Gbps)	USB 3.0 (5 Gbps)
----------------------	------------------

*若有規格外 Pin 數需求,請與當地負責業務窗口聯繫。

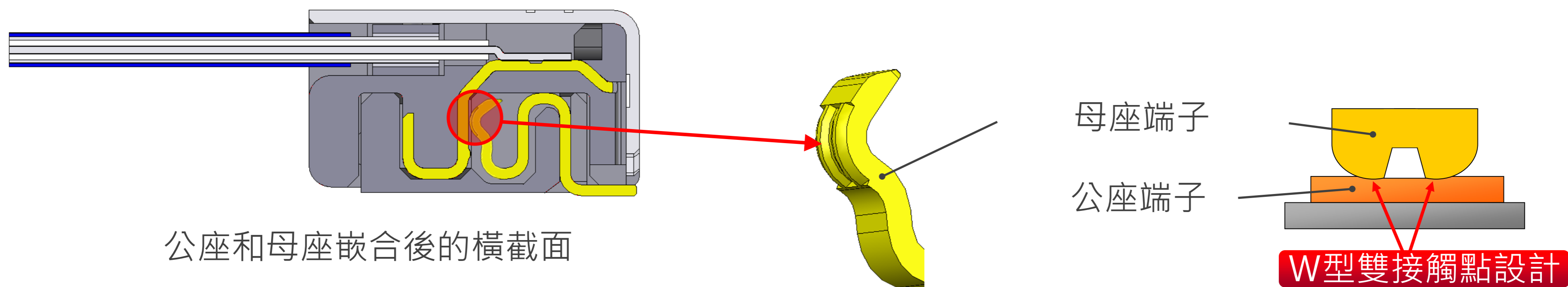


▶ 窄小型設計適於穿孔，電源供電用途用最大可配合AWG#34線纜使用

窄小型公座的線束可以穿過小型轉軸



▶ 獨特W-Point雙觸點設計，實現高接觸可靠性



W-Point接點技術，能夠在惡劣環境下維持公座端子與母座端子見的良好接觸品質，相較單點接觸方式，具有更好的而接觸可靠度。

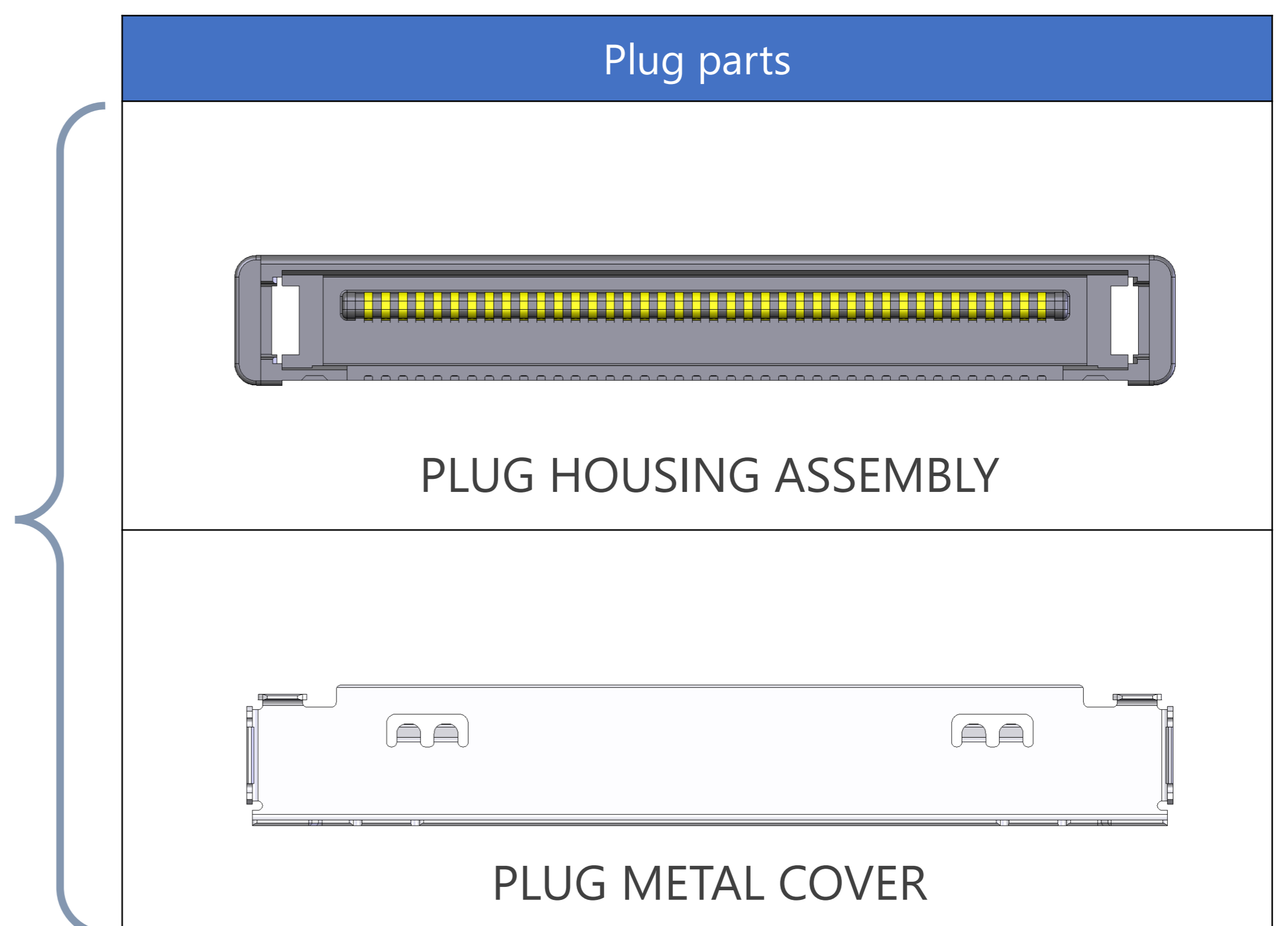
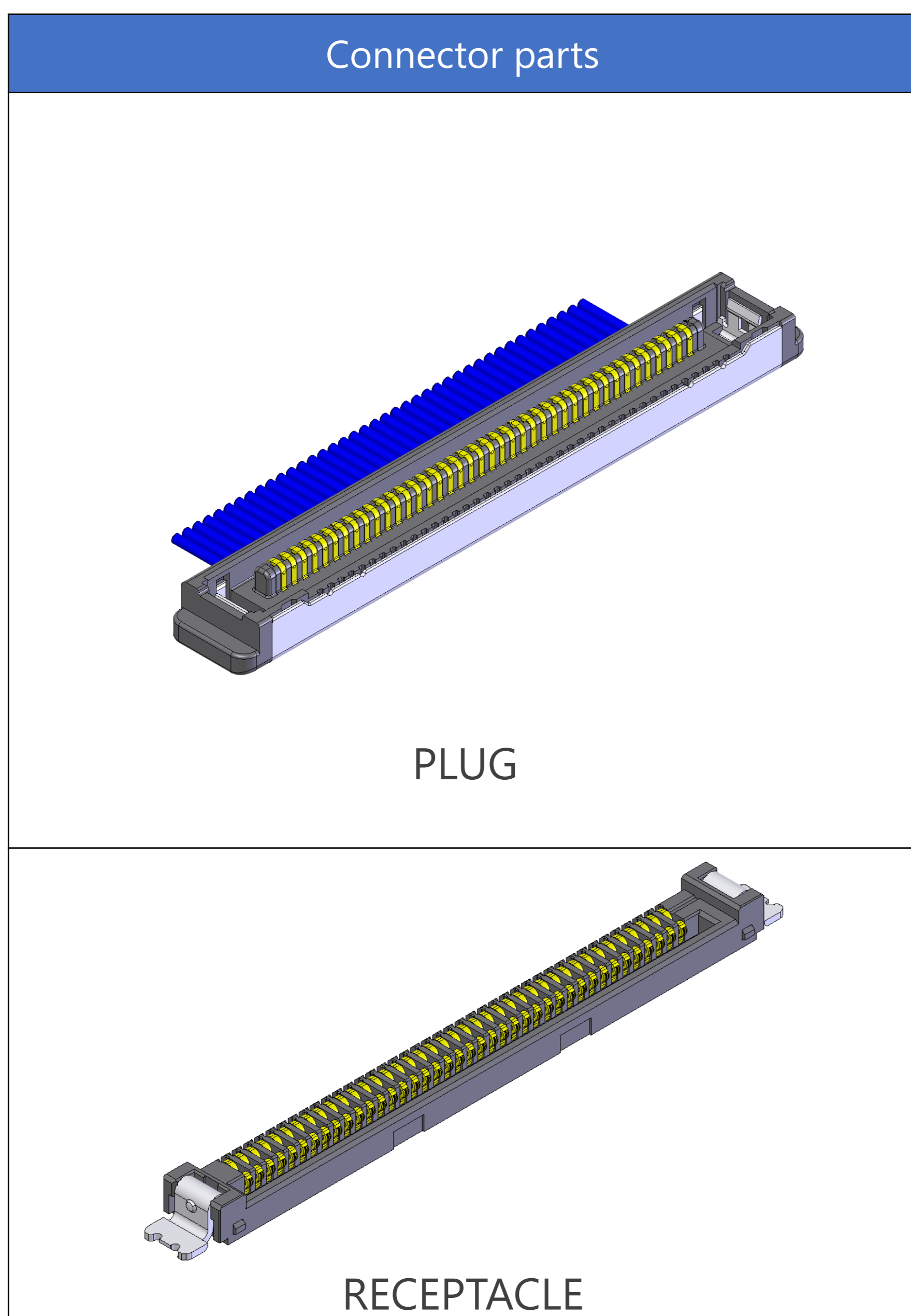
▶ 耐高溫/高濕度(高壓滅菌)可選

適用於需要無菌環境下工作的醫療設備，高壓滅菌對應



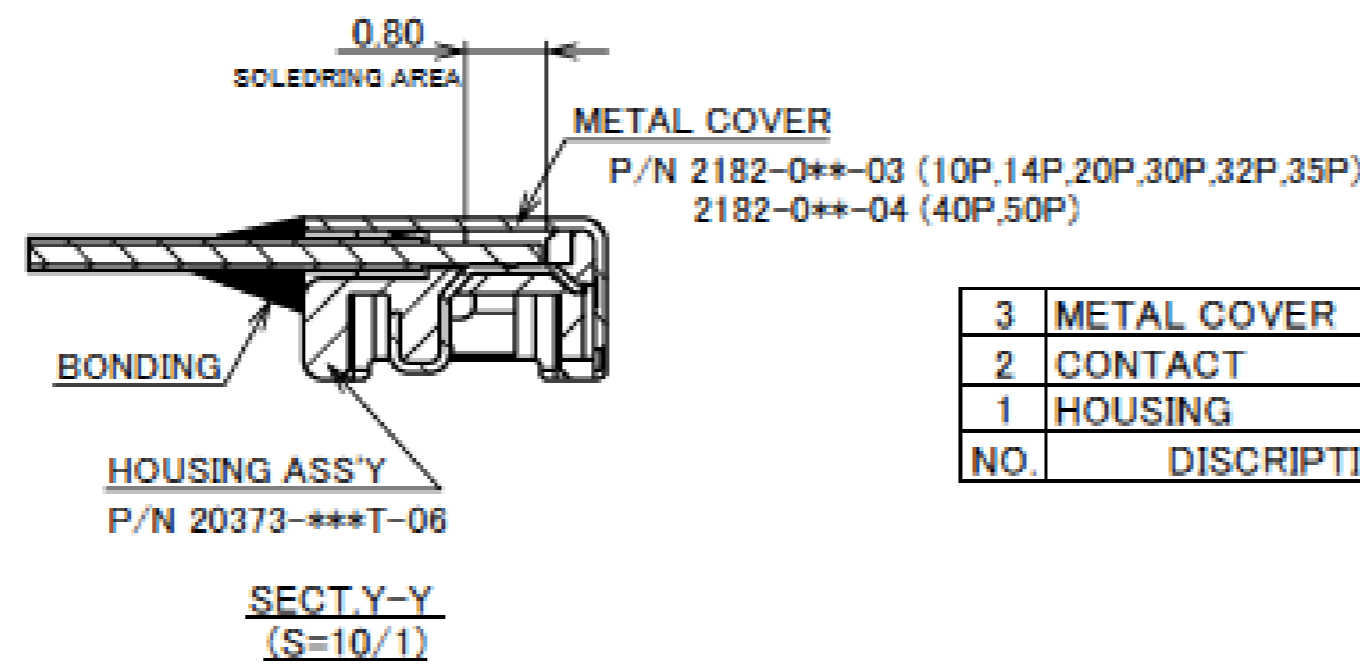
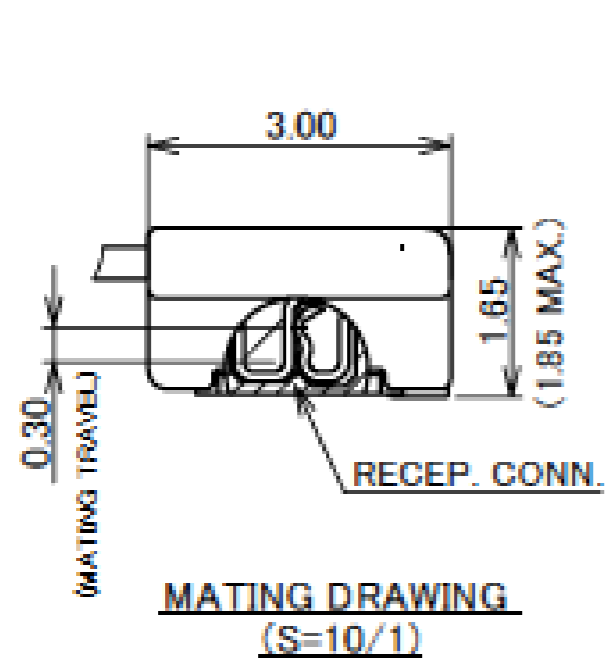
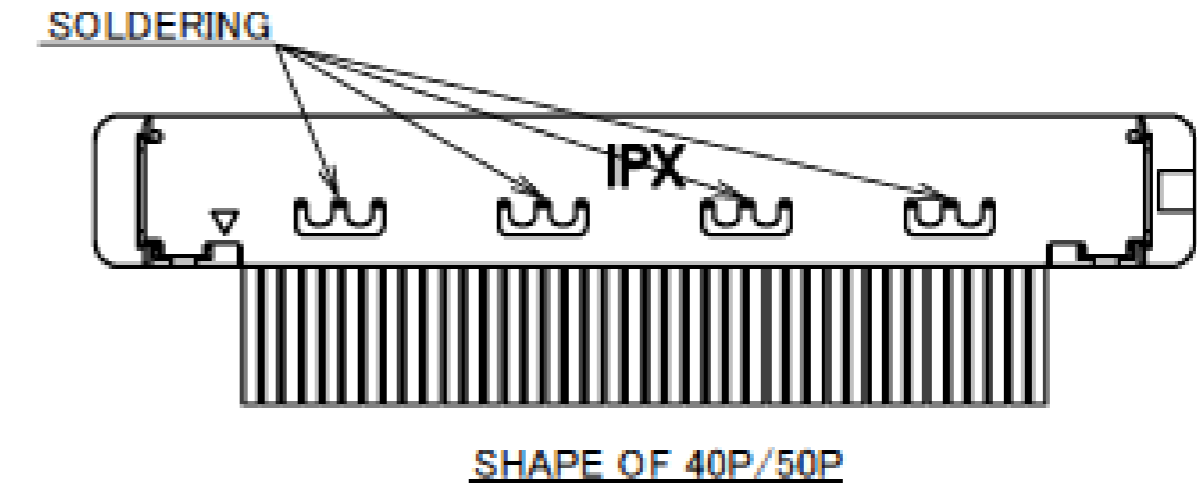
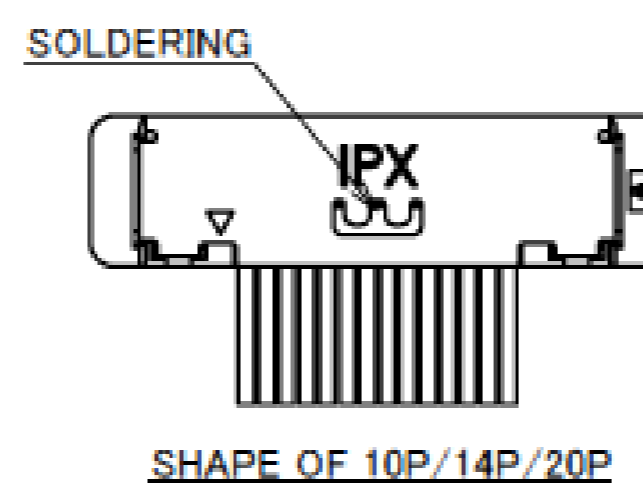
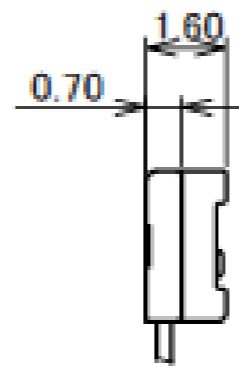
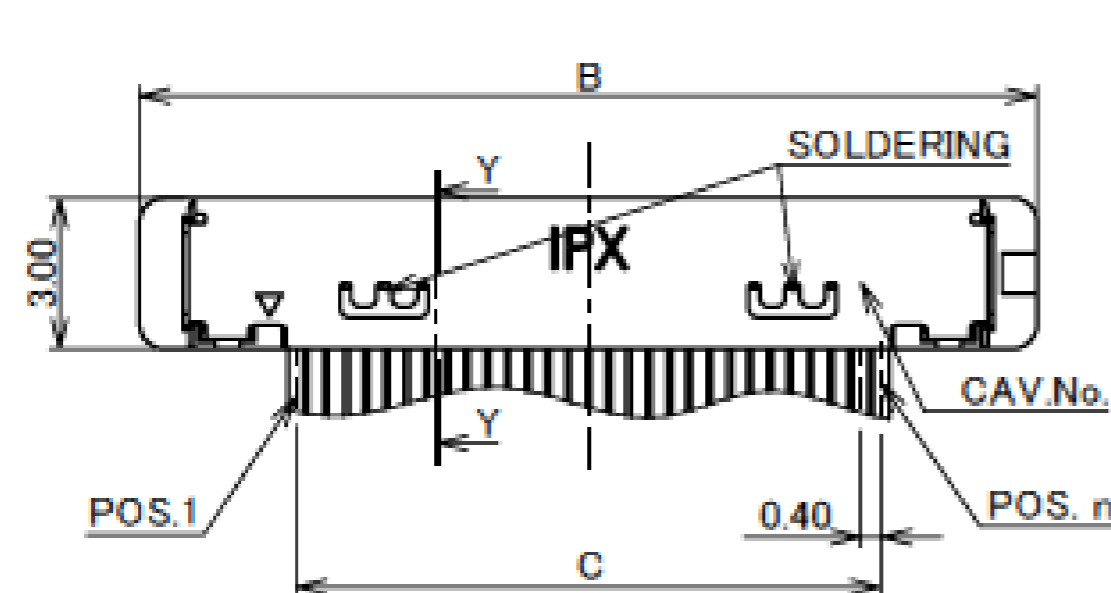
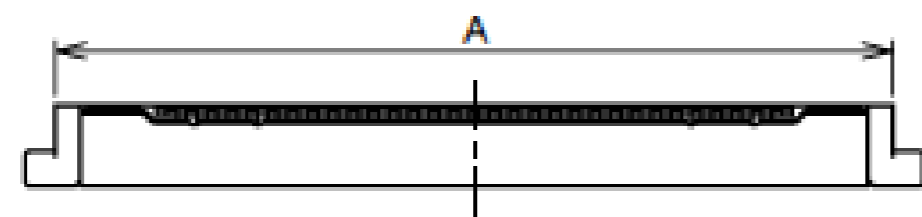
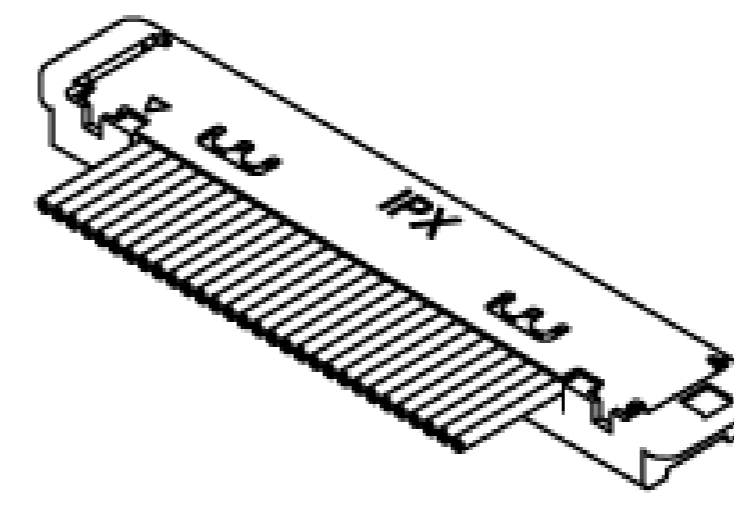
Component Parts Details

Component Parts



Plug for Cable Assembly

Recommended P/N		20380-R**T-06 (10P / 14P / 20P / 30P / 32P / 35P)				20380-R**T-16 (40P / 50P)	
PART NO.	POS.	MATING RECP. P/N	A	B	C		
20380-R10T-06	10	20374-R10E-31	8.6	9.8	3.6		
20380-R14T-06	14	20374-R14E-31	10.2	11.4	5.2		
20380-R20T-06	20	20374-R20E-31	12.6	13.8	7.6		
20380-R30T-06	30	20374-R30E-31	16.6	17.8	11.6		
20380-R32T-06	32	20374-R32E-31	17.4	18.6	12.4		
20380-R35T-06	35	20374-R35E-31	18.6	19.8	13.6		
20380-R40T-16	40	20374-R40E-31	20.6	21.8	15.6		
20380-R50T-16	50	20374-R50E-31	24.6	25.8	19.6		

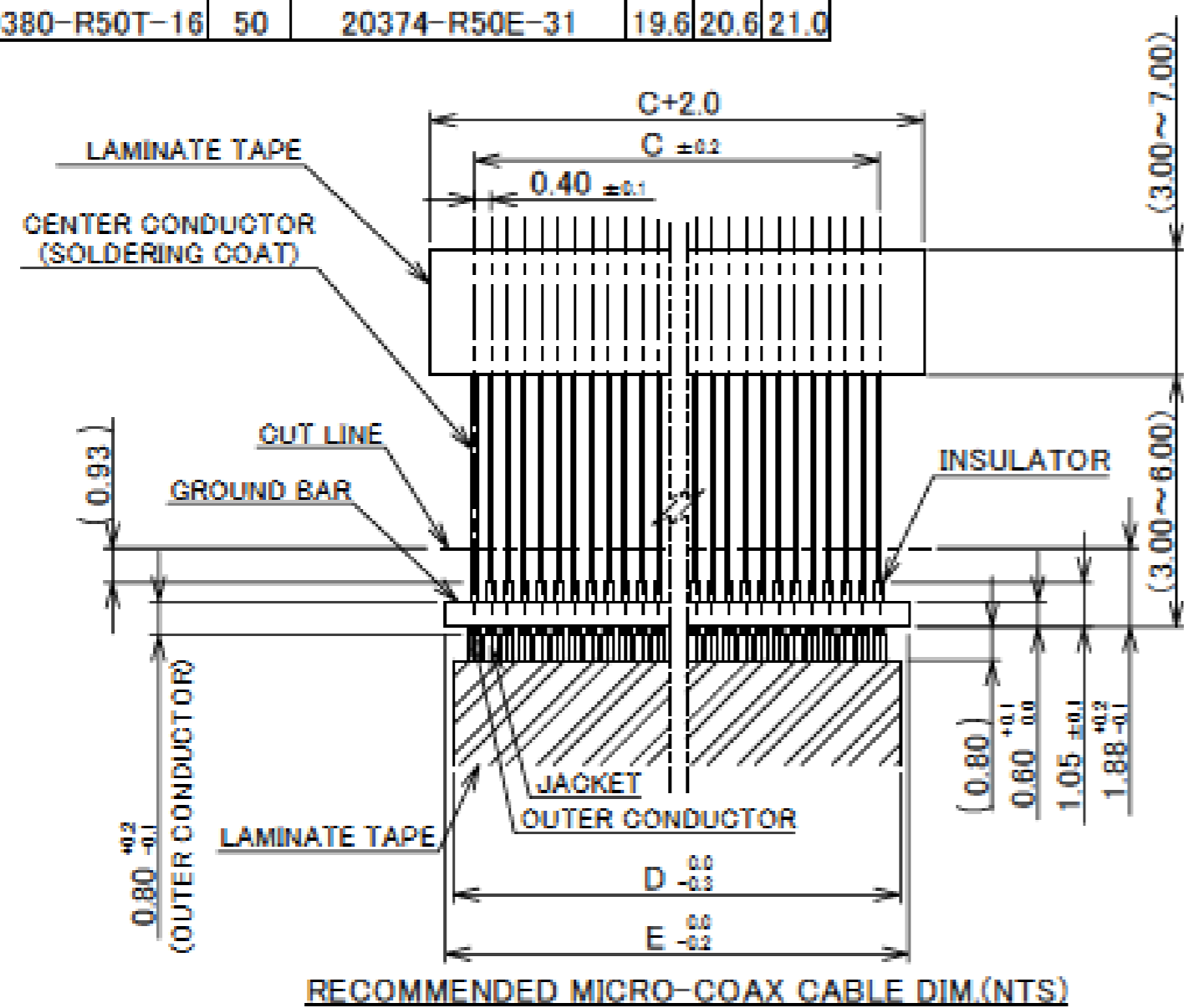


NOTES:
1. THE CABLE MUST NOT HOLD WHEN UN-MATING A CONNECTOR.

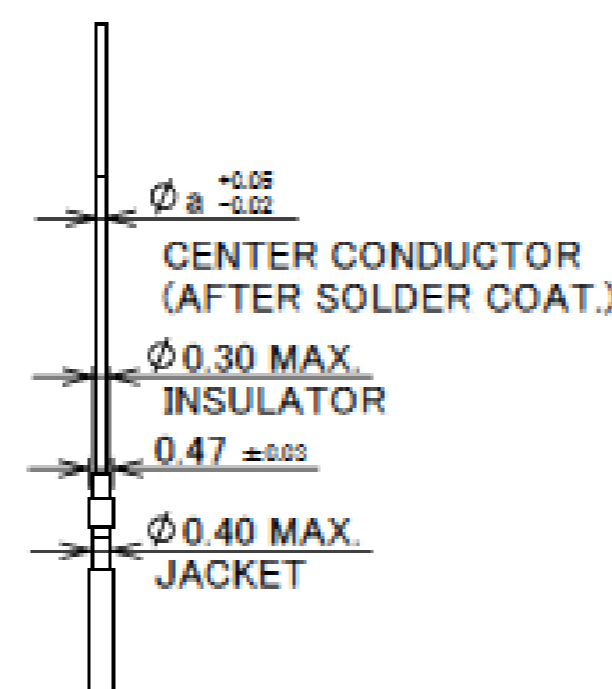
NO.	DISCRIPTION	MATERIAL	FINISH . REMARKS
3	METAL COVER	PHOSPHOR BRONZE	Sn REFLOW 1.00 μm MIN.
2	CONTACT	PHOSPHOR BRONZE	Au 0.10 μm MIN. OVER Ni 1.00 μm MIN.
1	HOUSING	LCP	UL94V-0, BLACK

Rev.26

Recommended P/N		20380-R**T-06 (10P / 14P / 20P / 30P / 32P / 35P)				20380-R**T-16 (40P / 50P)	
PART NO.	POS.	MATING RECP. P/N	C	D	E		
20380-R10T-06	10	20374-R10E-31	3.6	4.6	5.0		
20380-R14T-06	14	20374-R14E-31	5.2	6.2	6.6		
20380-R20T-06	20	20374-R20E-31	7.6	8.6	9.0		
20380-R30T-06	30	20374-R30E-31	11.6	12.6	13.0		
20380-R32T-06	32	20374-R32E-31	12.4	13.4	13.8		
20380-R35T-06	35	20374-R35E-31	13.6	14.6	15.0		
20380-R40T-16	40	20374-R40E-31	15.6	16.6	17.0		
20380-R50T-16	50	20374-R50E-31	19.6	20.6	21.0		



RECOMMENDED MICRO-COAX CABLE DIM.(NTS)



MICRO COAX CABLE (AWG #42,40,36)

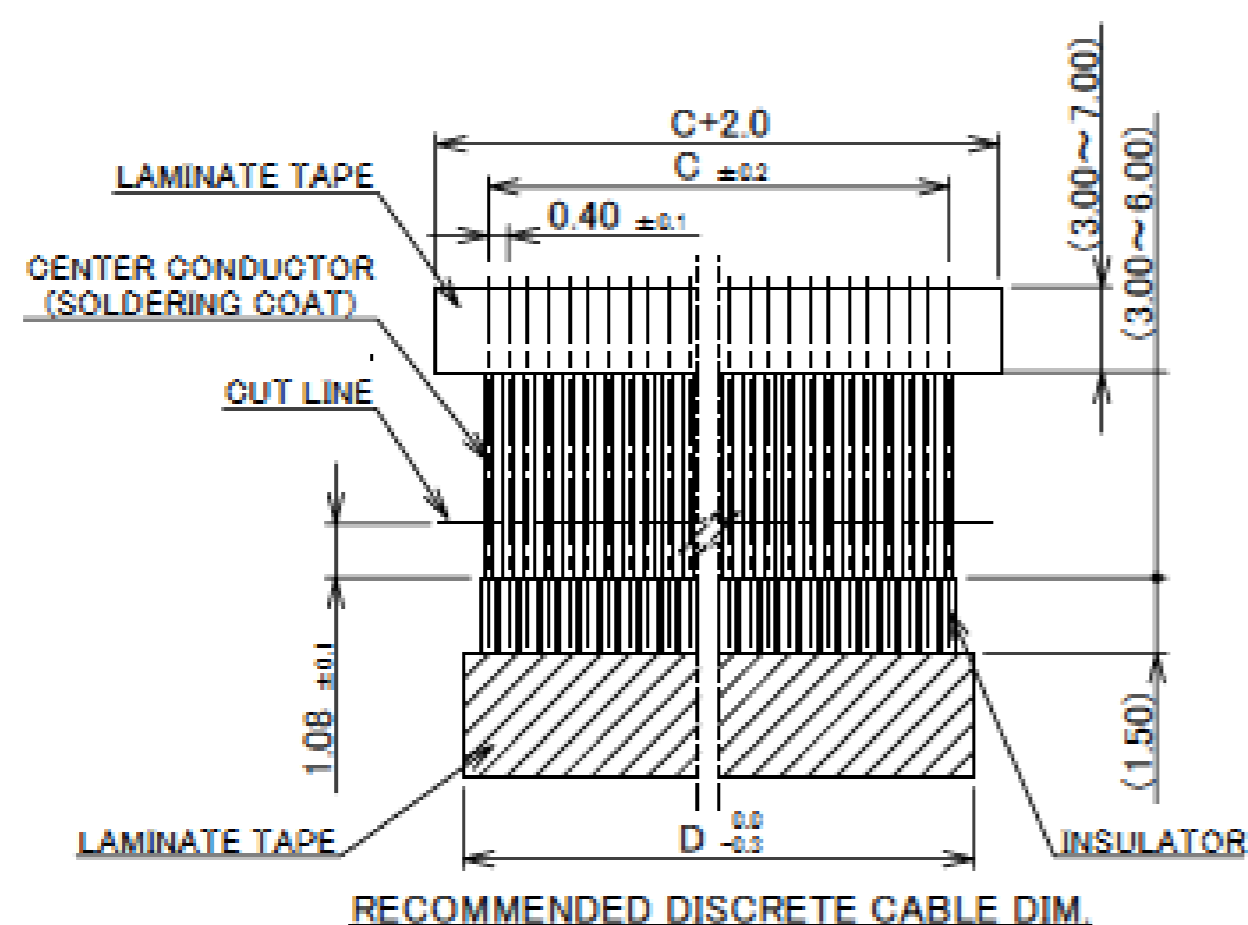
CHARACTERISTIC IMPEDANCE MACHING MICRO COAX CABLE

	a
#40	φ 0.09
#42	φ 0.075

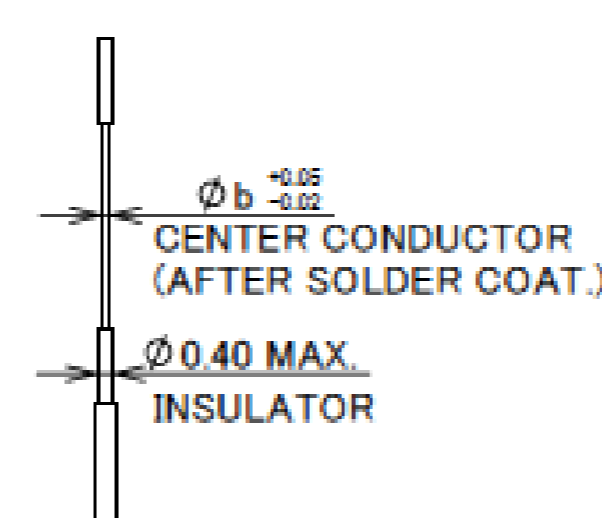
CHARACTERISTIC IMPEDANCE UN-MACHING MICRO COAX CABLE

	a
#36	φ 0.15

MICRO COAX CABLE #36 : NOT RECOMMENDED FOR HIGH SPEED SIGNAL TRANSFAER



RECOMMENDED DISCRETE CABLE DIM.



DISCRETE CABLE (AWG #36,34)

DISCRETE CABLE DIMENSION

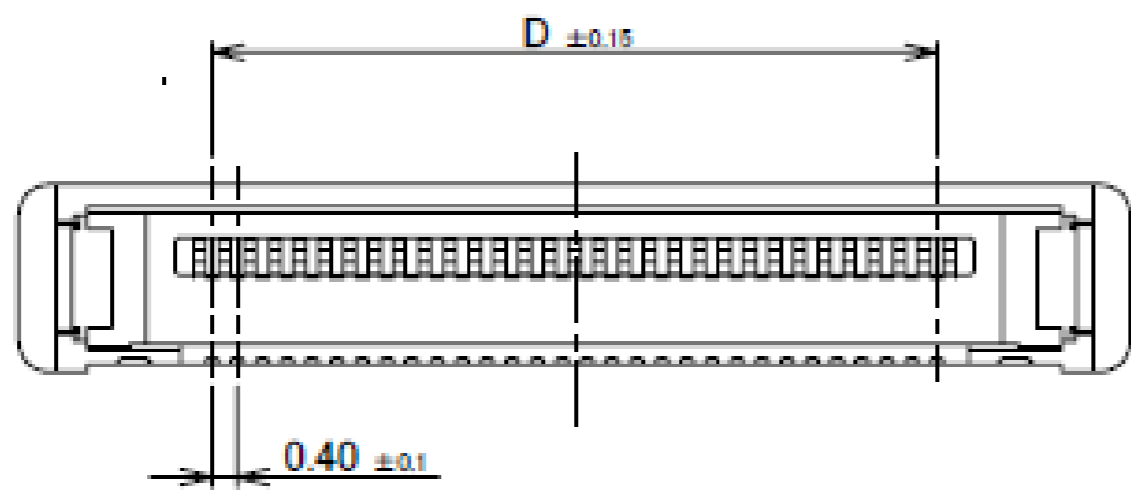
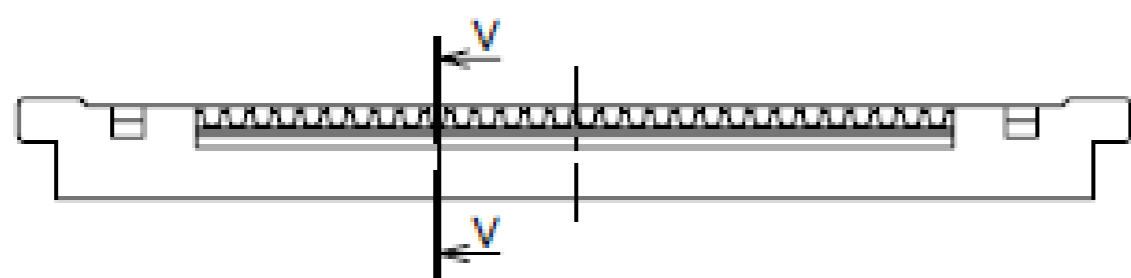
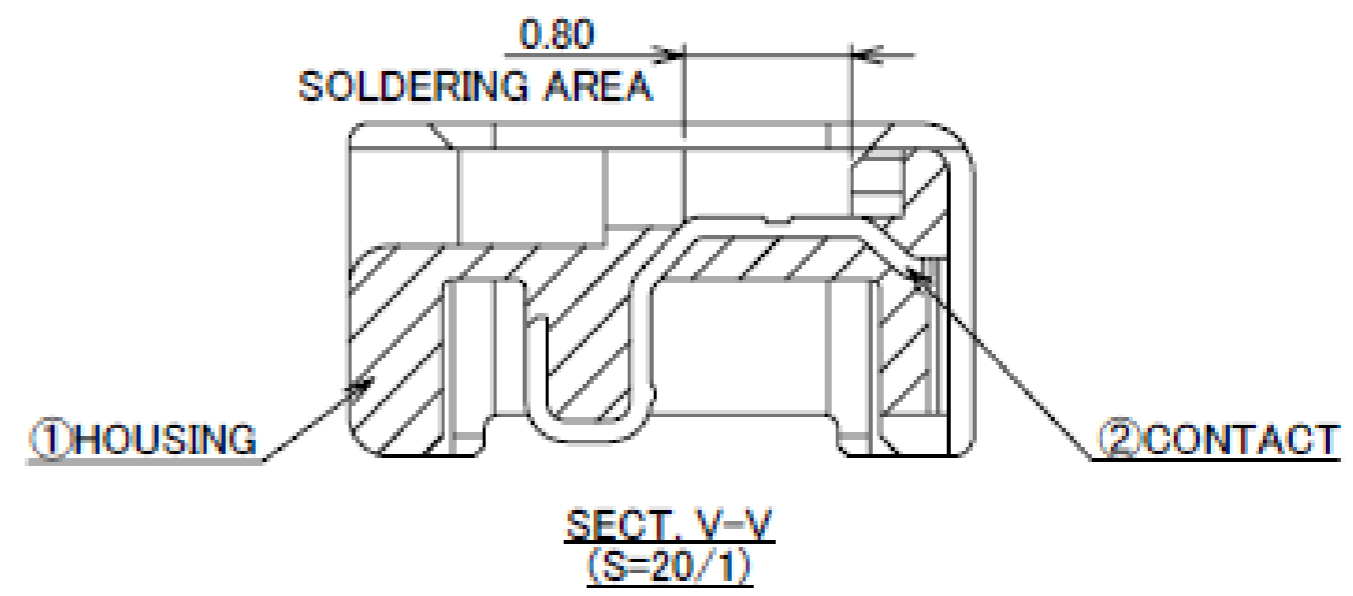
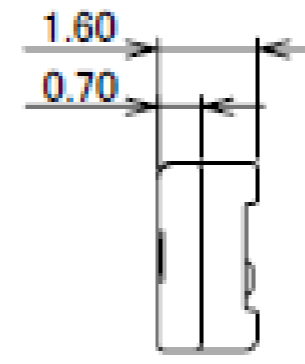
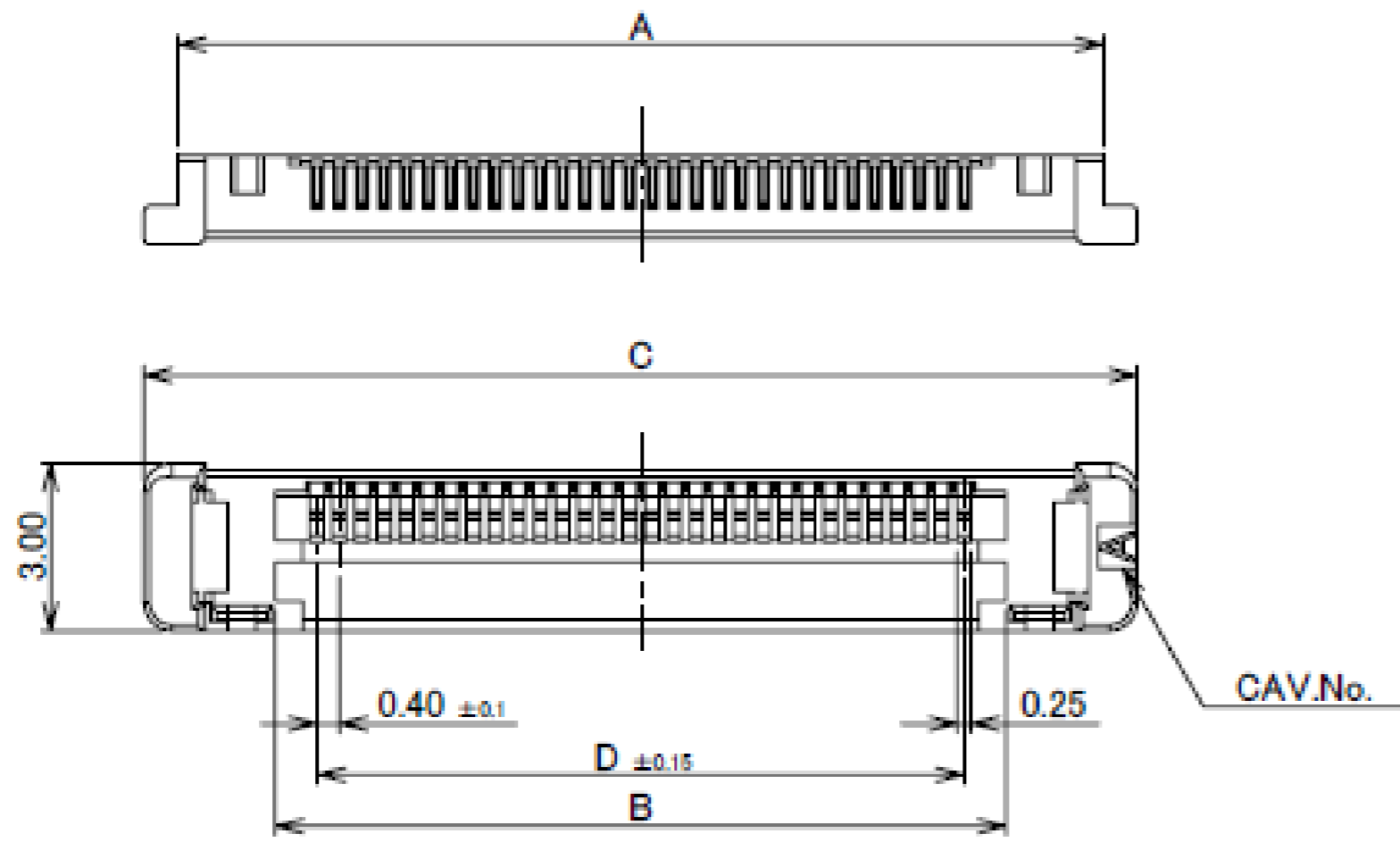
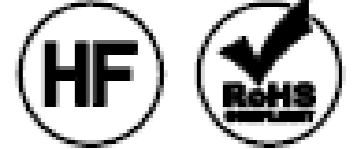
	b
#34	φ 0.192
#36	φ 0.15

Rev.26

Plug Housing Assembly

Recommended P/N		20373-R**T-06				
PART NO.	Pos.	A	B	C	D	
20373-R10T-06	10	8.60	5.10	9.80	3.60	
20373-R14T-06	14	10.20	6.70	11.40	5.20	
20373-R20T-06	20	12.60	9.10	13.80	7.60	
20373-R30T-06	30	16.60	13.10	17.80	11.60	
20373-R32T-06	32	17.40	13.90	18.60	12.40	
20373-R35T-06	35	18.60	15.10	19.80	13.60	
20373-R40T-06	40	20.60	17.10	21.80	15.60	
20373-R50T-06	50	24.60	21.10	25.80	19.60	

FOR AWG #34,#36,#40,#42



NOTES

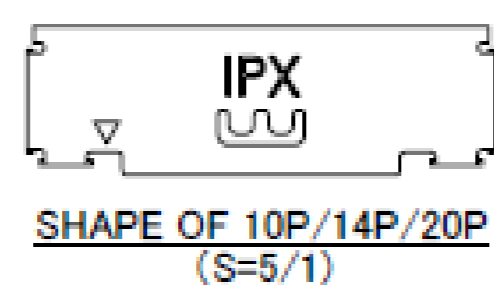
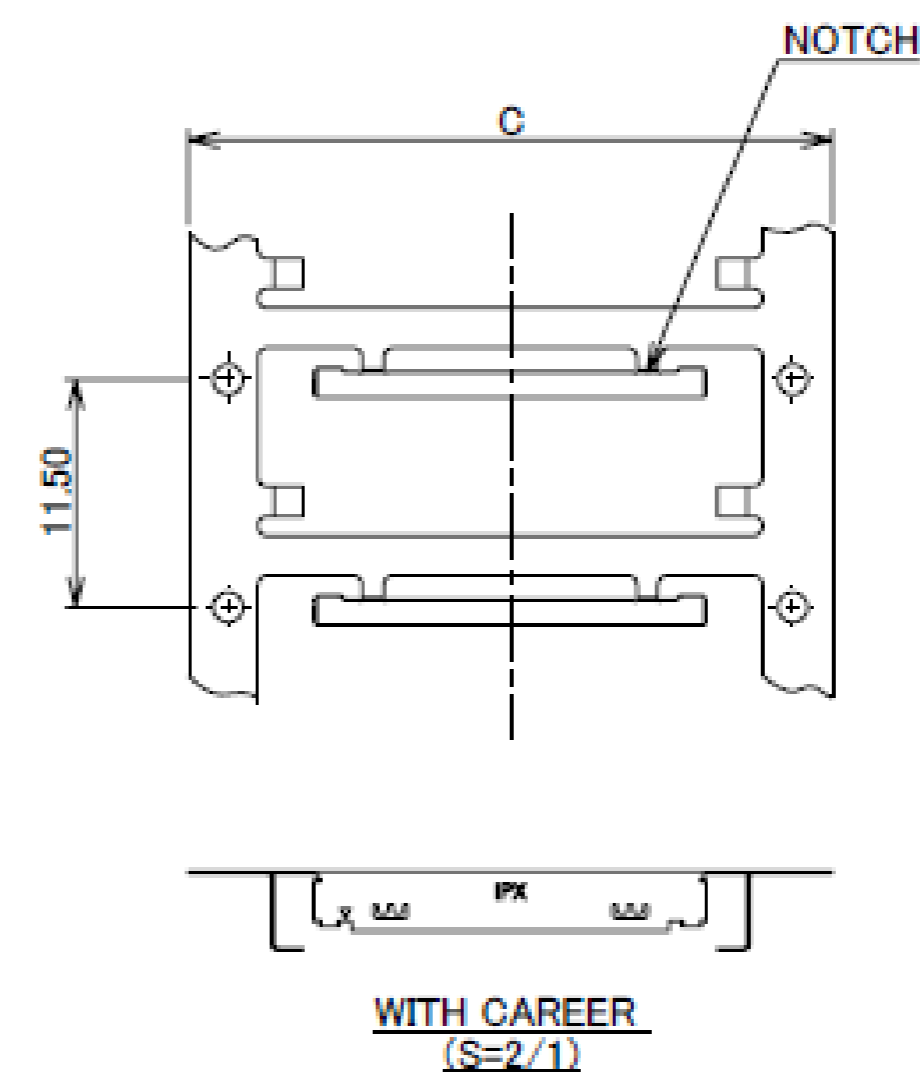
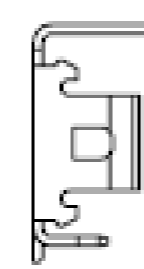
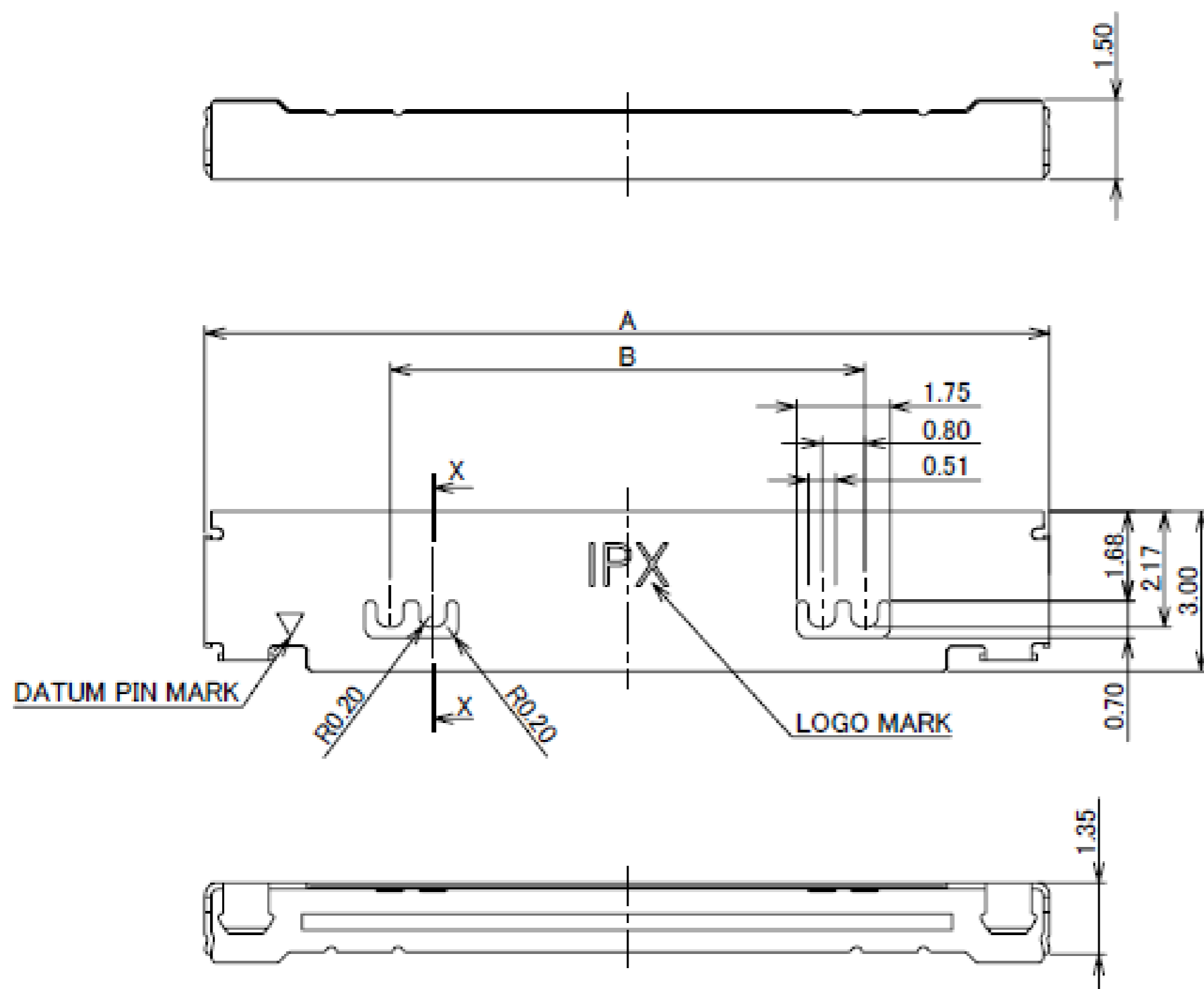
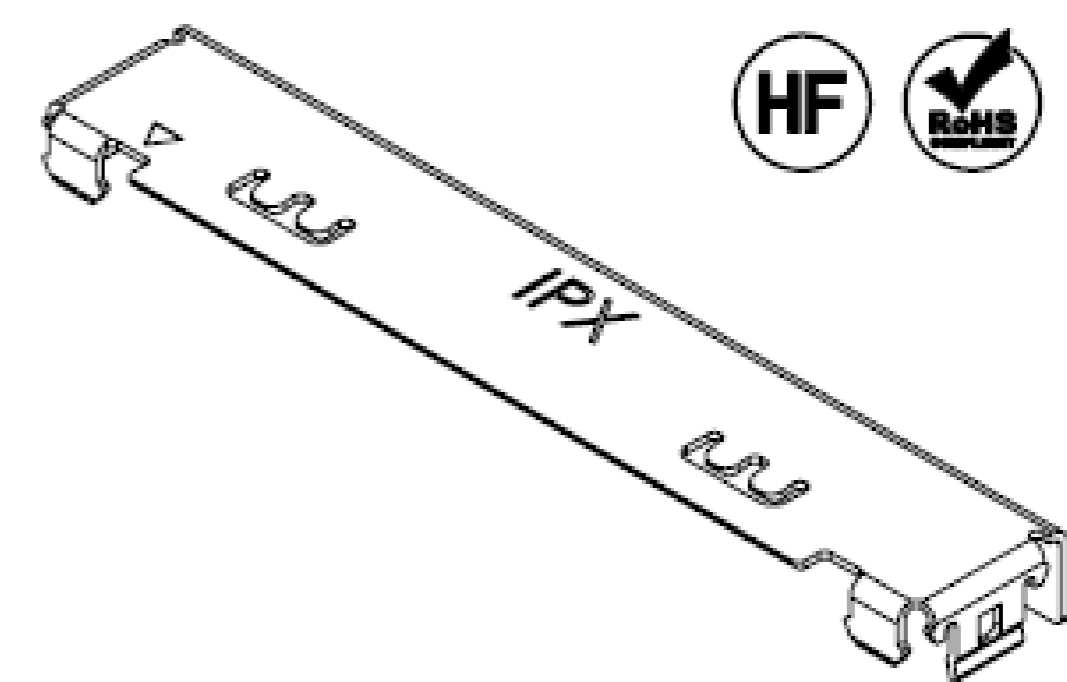
1. THIS PART IS ASSEMBLED WITH METAL COVER (P/N 2182-0**-03(10P,14P,20P,30P,32P,35P) or 2182-0**-04(40P,50P)) AFTER SOLDERED CABLE, AND IT BECOMES P/N 20380-R**T-06(10P,14P,20P,30P,32P,35P) or 20380-R**T-16(40P,50P)

NO.	DISCRIPTION	MATERIAL	FINISH , REMARKS
2	CONTACT	PHOSPHOR BRONZE	Au 0.10 μm MIN. OVER Ni 1.00 μm MIN.
1	HOUSING	LCP (RED PHOSPHORUS IS NOT USED)	UL94V-0, BLACK

Rev.21

Plug Metal Cover

Recommended P/N		2182-0**-03 (10P / 14P / 20P / 30P / 32P / 35P)			2182-0**-04 (40P / 50P)	
PART NO.	POS.	A	B	C		
2182-010-03	10	7.84	-	24.50		
2182-014-03	14	9.44	-	24.50		
2182-020-03	20	11.84	-	24.50		
2182-030-03	30	15.84	8.90	28.50		
2182-032-03	32	16.64	9.70	29.30		
2182-035-03	35	17.84	10.90	30.50		



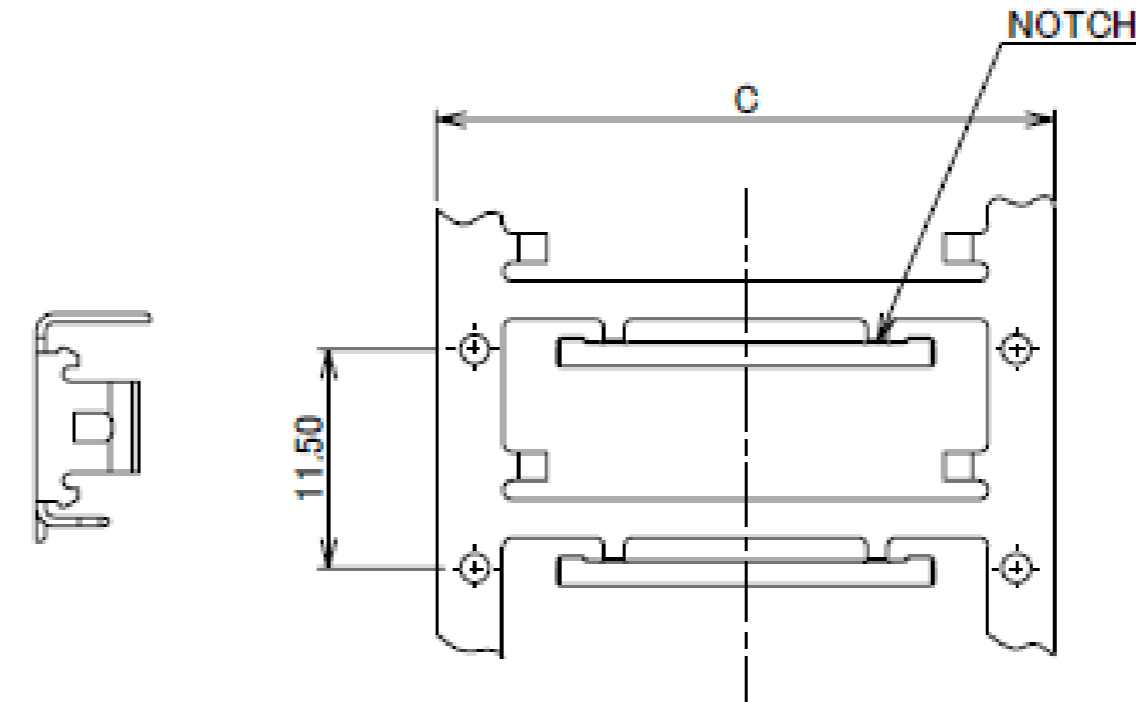
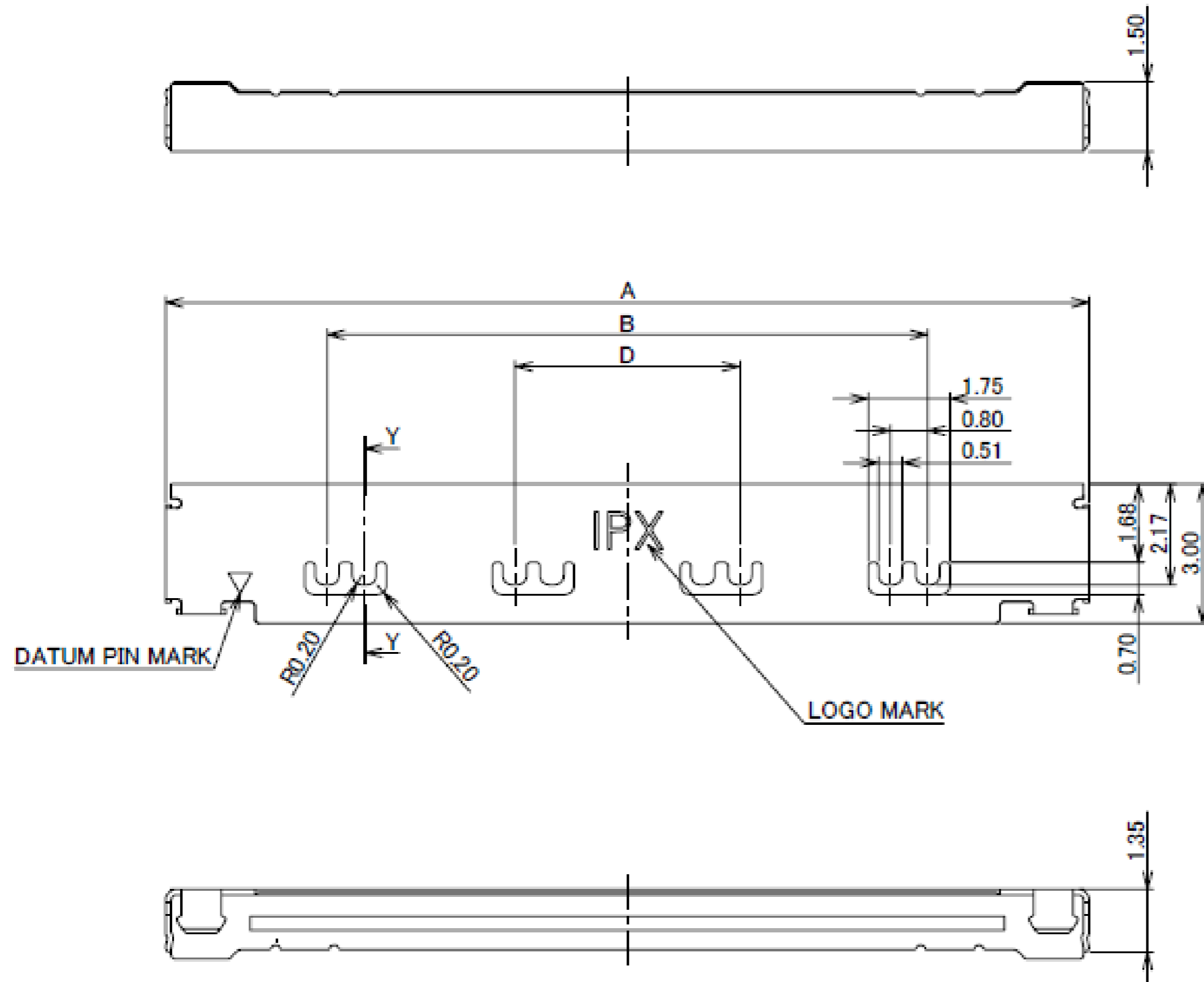
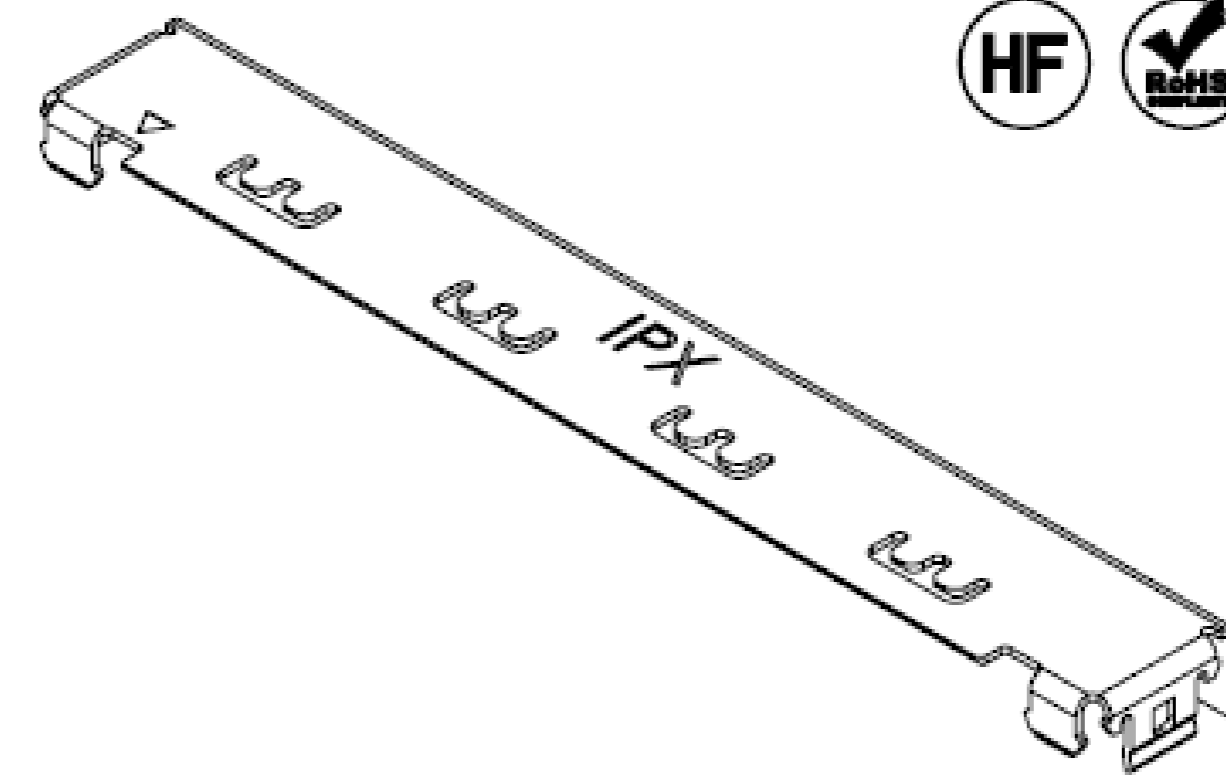
NO.	DISCRIPTION	MATERIAL	FINISH , REMARKS
1	METAL COVER	PHOSPHOR BRONZE	Sn REFLOW 1.00 μm MIN.

Rev.19

Plug Metal Cover

Recommended P/N 2182-0**-03 (10P / 14P / 20P / 30P / 32P / 35P) 2182-0**-04 (40P / 50P)

PART NO.	POS.	A	B	C	D
2182-040-04	40	19.84	12.90	32.50	4.84
2182-050-04	50	23.84	16.90	36.50	6.17



WITH CAREER
(S=2/1)

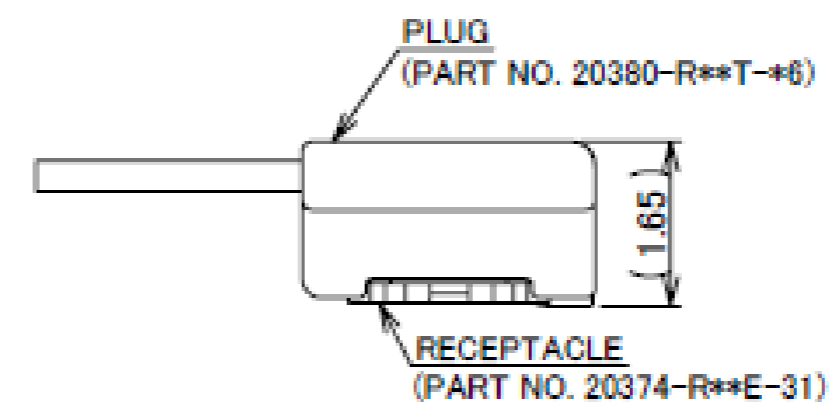
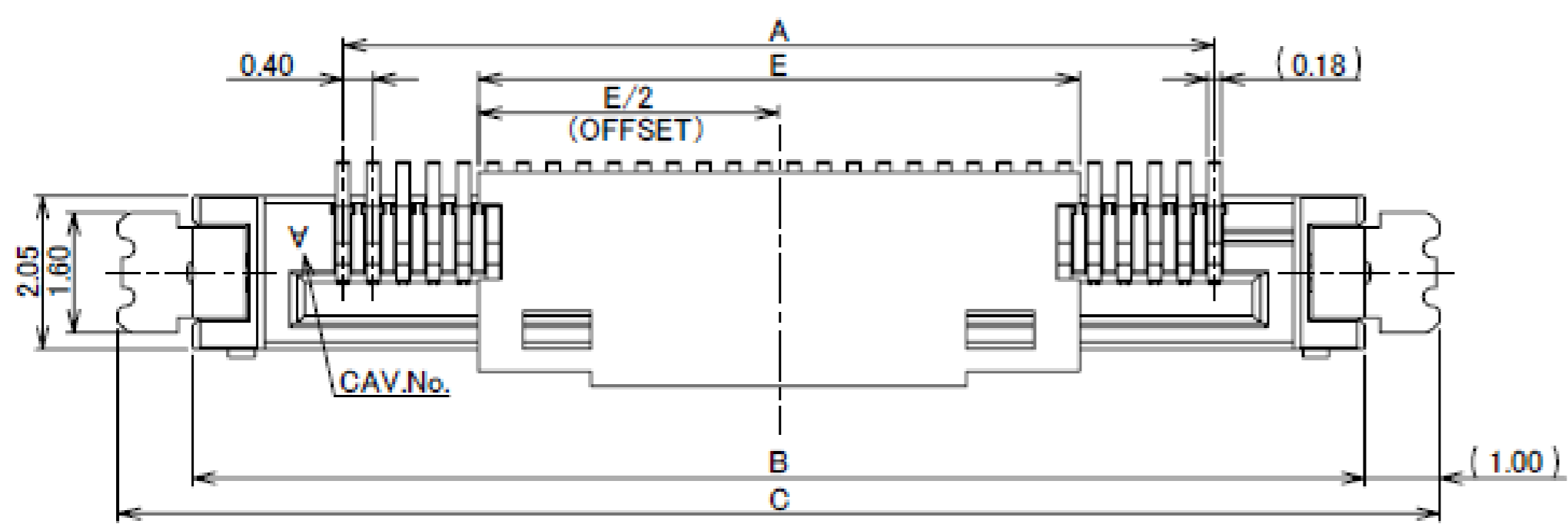
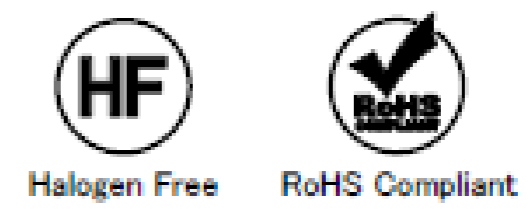
NO.	DISCRIPTION	MATERIAL	FINISH , REMARKS
1	METAL COVER	PHOSPHOR BRONZE	Sn REFLOW 1.00 μm MIN.

Rev.19

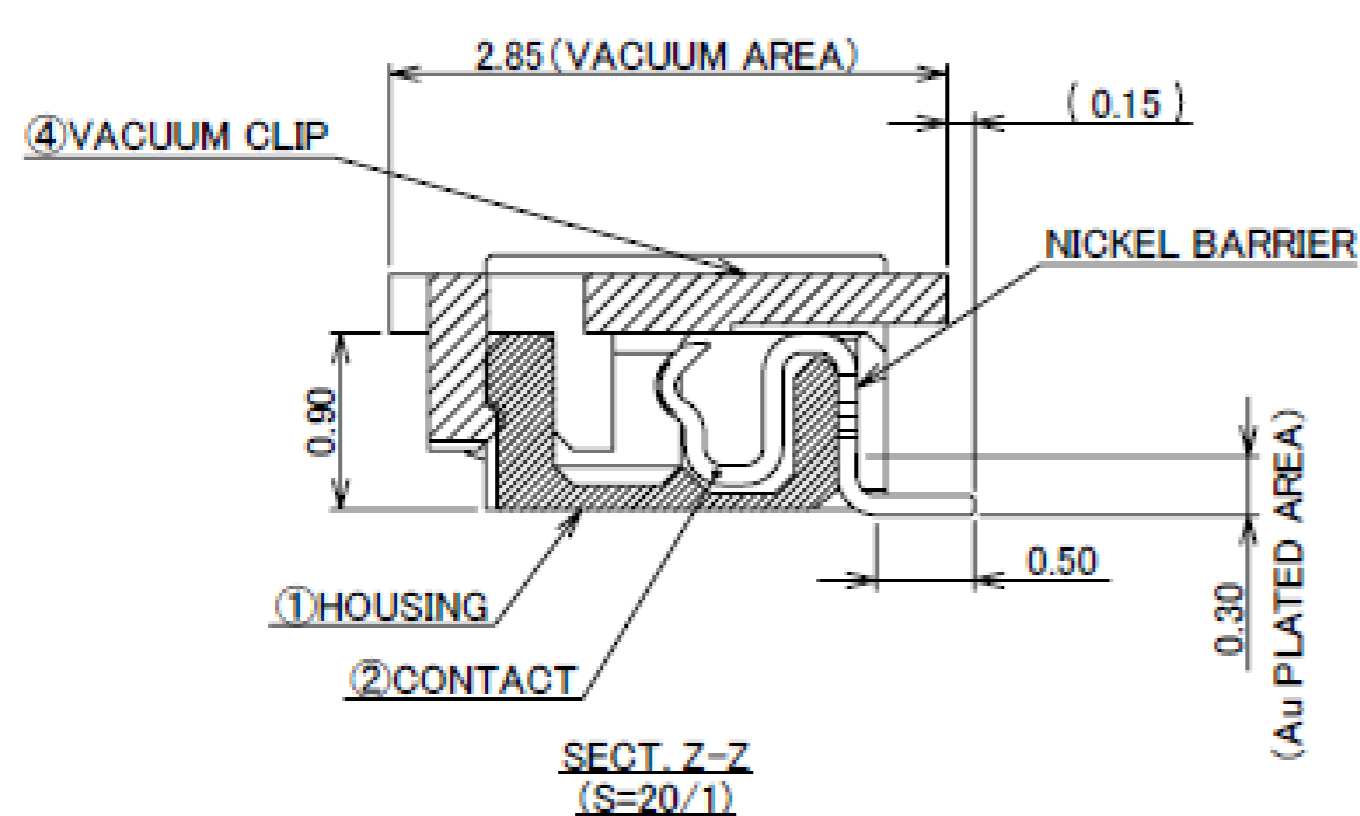
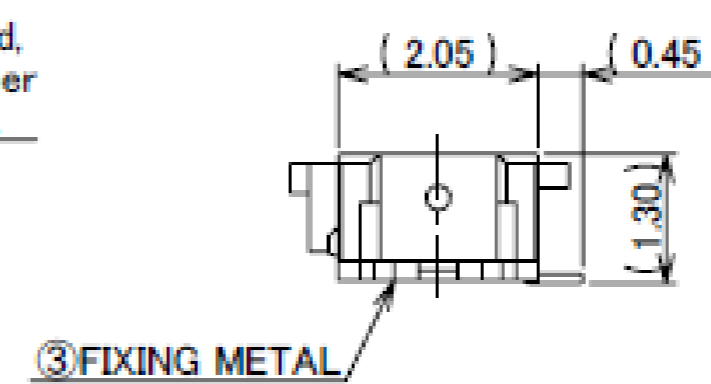
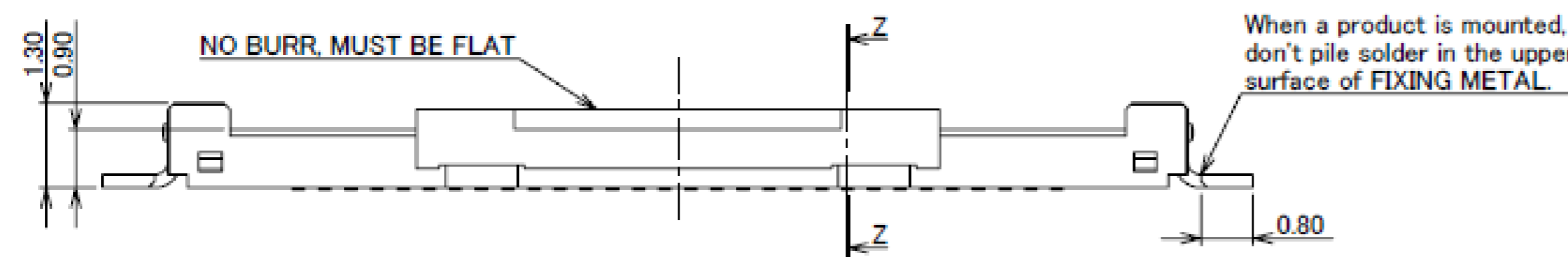
Receptacle Assembly

Recommended P/N 20374-R**E-31

PART NO.	POS.	A	B	C	D	E
20374-R10E-31	10	3.60	7.60	9.60	7.20	5.50
20374-R14E-31	14	5.20	9.20	11.20	8.80	5.50
20374-R20E-31	20	7.60	11.60	13.60	11.20	8.00
20374-R30E-31	30	11.60	15.60	17.60	15.20	8.00
20374-R32E-31	32	12.40	16.40	18.40	16.00	8.00
20374-R35E-31	35	13.60	17.60	19.60	17.20	8.00
20374-R40E-31	40	15.60	19.60	21.60	19.20	8.00
20374-R50E-31	50	19.60	23.60	25.60	23.20	8.00



MATING CONDITION

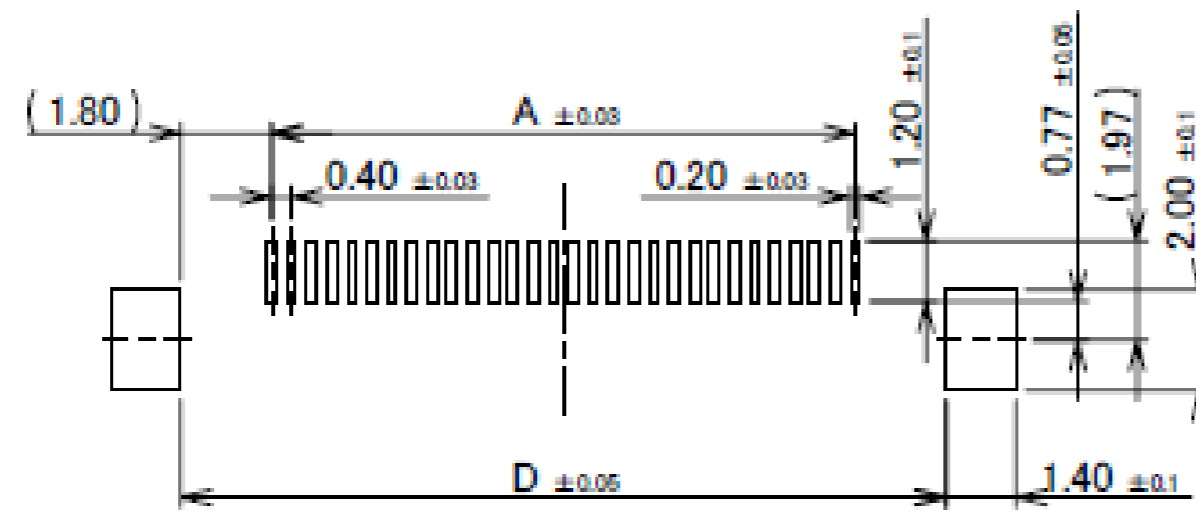


NO.	DISCRIPTION	MATERIAL	FINISH , REMARKS
4	VACUUM CRIP	LCP	UL94V-0, BEIGE
3	FIXING METAL	PHOSPHOR BROZE	Sn/Cu(98/2) (LUSTER) 2.0 μm MIN. OVER Ni 1.00 μm MIN. CONTACT AREA: Au 0.1 μm MIN. OVER Ni 1.00 μm MIN. SOLDERING AREA: Au 0.05 μm MIN. OVER Ni 1.00 μm MIN.
2	CONTACT	PHOSPHOR BROZE	
1	HOUSING	LCP (RED PHOSPHORUS IS NOT USED)	UL94V-0, BLACK

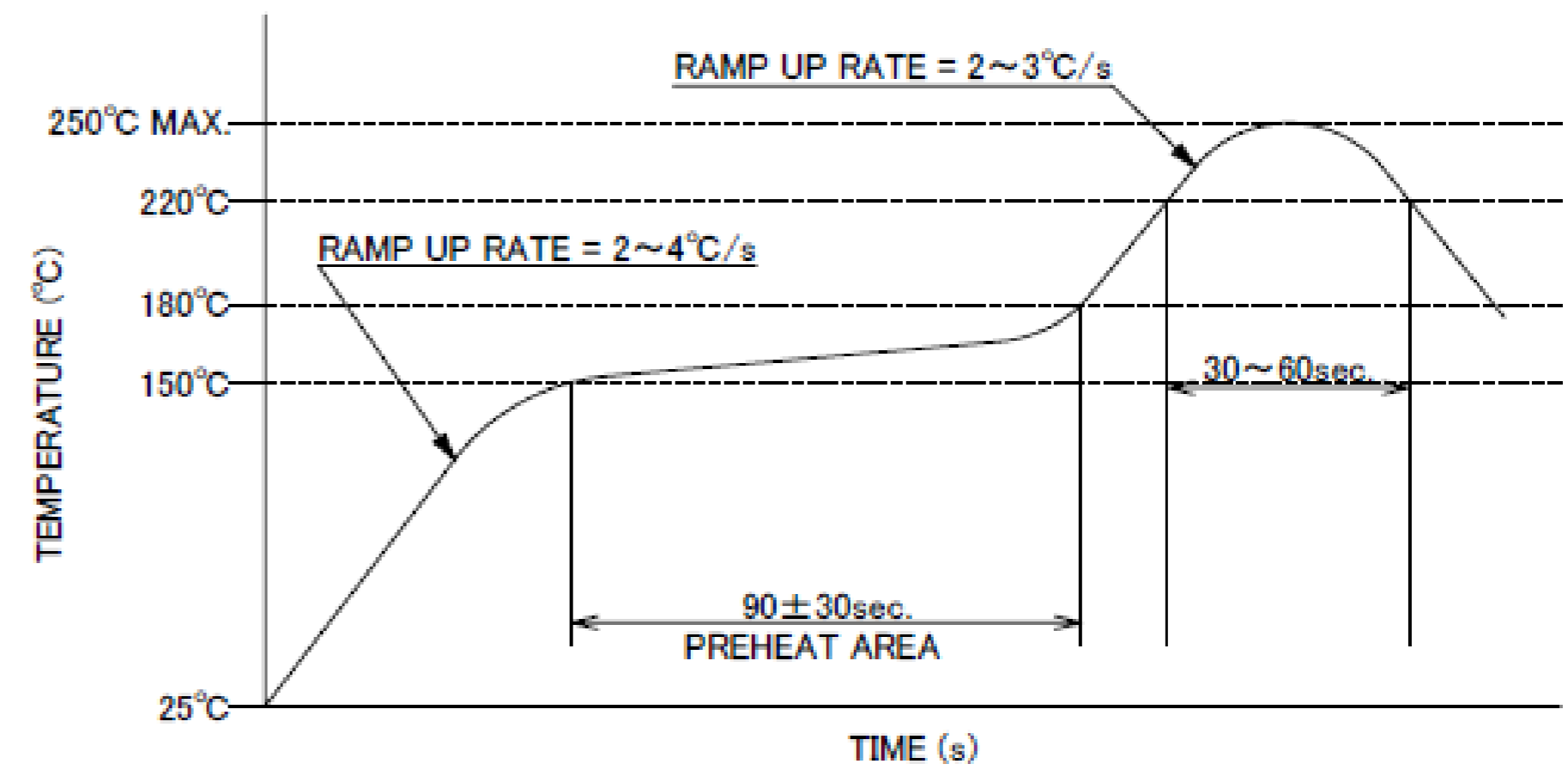
Rev.30

Receptacle Assembly

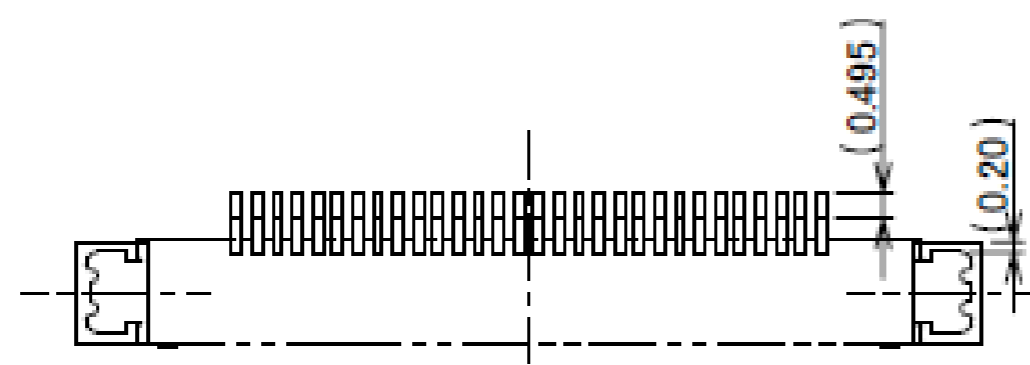
PART NO.	POS.	A	D
20374-R10E-31	10	3.60	7.20
20374-R14E-31	14	5.20	8.80
20374-R20E-31	20	7.60	11.20
20374-R30E-31	30	11.60	15.20
20374-R32E-31	32	12.40	16.00
20374-R35E-31	35	13.60	17.20
20374-R40E-31	40	15.60	19.20
20374-R50E-31	50	19.60	23.20



RECOMMENDED FOOTPRINT PATTERN (MOUNT SIDE)
 Recommended Thickness of Metal Mask : $t=0.13\text{mm}$
 Recommended Opening Ratio of Metal Mask : 79.6%



REFLOW TEMPERATURE PROFILE
 SENJU METAL INDUSTRY CO., LTD.: M705-SHF(Sn96.5 Ag3.0 Cu0.5)



CONNECTOR ON RECOMMENDED FOOTPRINT PATTERN

Rev.30

ITEMS	SPECIFICATION
APPLICABLE CABLE	MICRO COAX : AWG# 42 , 40 , 36 DISCRETE : AWG# 36 , 34
RATING VOLTAGE	100V AC (PER CONTACT)
RATING AMPERAGE (FOR CONTACT)	0.24A AC/DC [AWG#42] AVAILABLE TO 50 PIN 0.25A AC/DC [AWG#40] AVAILABLE TO 50 PIN 0.30A AC/DC [AWG#40] AVAILABLE TO 32 PIN 0.35A AC/DC [AWG#36] AVAILABLE TO 50 PIN 0.40A AC/DC [AWG#36] AVAILABLE TO 37 PIN 0.35A AC/DC [AWG#34] AVAILABLE TO 50 PIN 1.00A AC/DC [AWG#34] AVAILABLE TO 2 PIN
OPERATING TEMPERATURE	233~358K(-40°C~+85°C)
OPERATING HUMIDITY	85% MAX.(NON-CONDENSING)
CONTACT RESISTANCE	INITIAL : 180mohm MAX. (AWG#34) / AFTER TEST : \triangleleft 40mohm MAX. 275mohm MAX. (AWG#36) 600mohm MAX. (AWG#40) 700mohm MAX. (AWG#42) (INITIAL CONTAINS THE CONDUCTOR RESISTANCE OF A CABLE 100mm)
GROUND SHELL RESISTANCE	INITIAL : 50mohm MAX. / AFTER TEST : \triangleleft 40mohm MAX.
INSULATION RESISTANCE	INITIAL : 1000Mohm MIN. / AFTER TEST : 500Mohm MIN.
DIELECTRIC WITHSTANDING VOLTAGE	AC250V 1min
DURABILITY	30 CYCLES
MATING FORCE (INITIAL / AFTER TEST)	10P : 29.00N MAX. 32P : 33.40N MAX. 14P : 29.80N MAX. 35P : 34.00N MAX. 20P : 31.00N MAX. 40P : 35.00N MAX. 30P : 33.00N MAX. 50P : 38.00N MAX.
UNMATING FORCE (INITIAL / AFTER TEST)	10P : INITIAL : 4.00N MIN. / AFTER 30 CYCLES : 2.87N MIN. 14P : INITIAL : 4.40N MIN. / AFTER 30 CYCLES : 3.23N MIN. 20P : INITIAL : 5.00N MIN. / AFTER 30 CYCLES : 3.76N MIN. 30P : INITIAL : 6.00N MIN. / AFTER 30 CYCLES : 4.65N MIN. 32P : INITIAL : 6.20N MIN. / AFTER 30 CYCLES : 4.84N MIN. 35P : INITIAL : 6.50N MIN. / AFTER 30 CYCLES : 5.07N MIN. 40P : INITIAL : 7.00N MIN. / AFTER 30 CYCLES : 5.50N MIN. 50P : INITIAL : 8.00N MIN. / AFTER 30 CYCLES : 6.41N MIN.
CABLE RETENTION FORCE	10P : 4.90N MIN. 32P : 15.68N MIN. 14P : 6.86N MIN. 35P : 17.15N MIN. 20P : 9.80N MIN. 40P : 19.60N MIN. 30P : 14.70N MIN. 50P : 24.50N MIN.
PRODUCT SPECIFICATION	PRS-1239
TEST REPORT	TR-04037
INSTRUCTION MANUAL	HIM-04001
ASSEMBLY MANUAL	ASM-04001
APPEARANCE CRITERIA No.	QLS-A***


Rev.26

Custom Connectors Available

 RF Connector

MHF® series



 CABLINE® series
Micro-coaxial/Twinax/
Discrete Wire Connector



 Optical Module

LIGHTPASS® series



NOVASTACK® series

 Board-to-Board Connector



 Power Connector/
Terminal

AP series

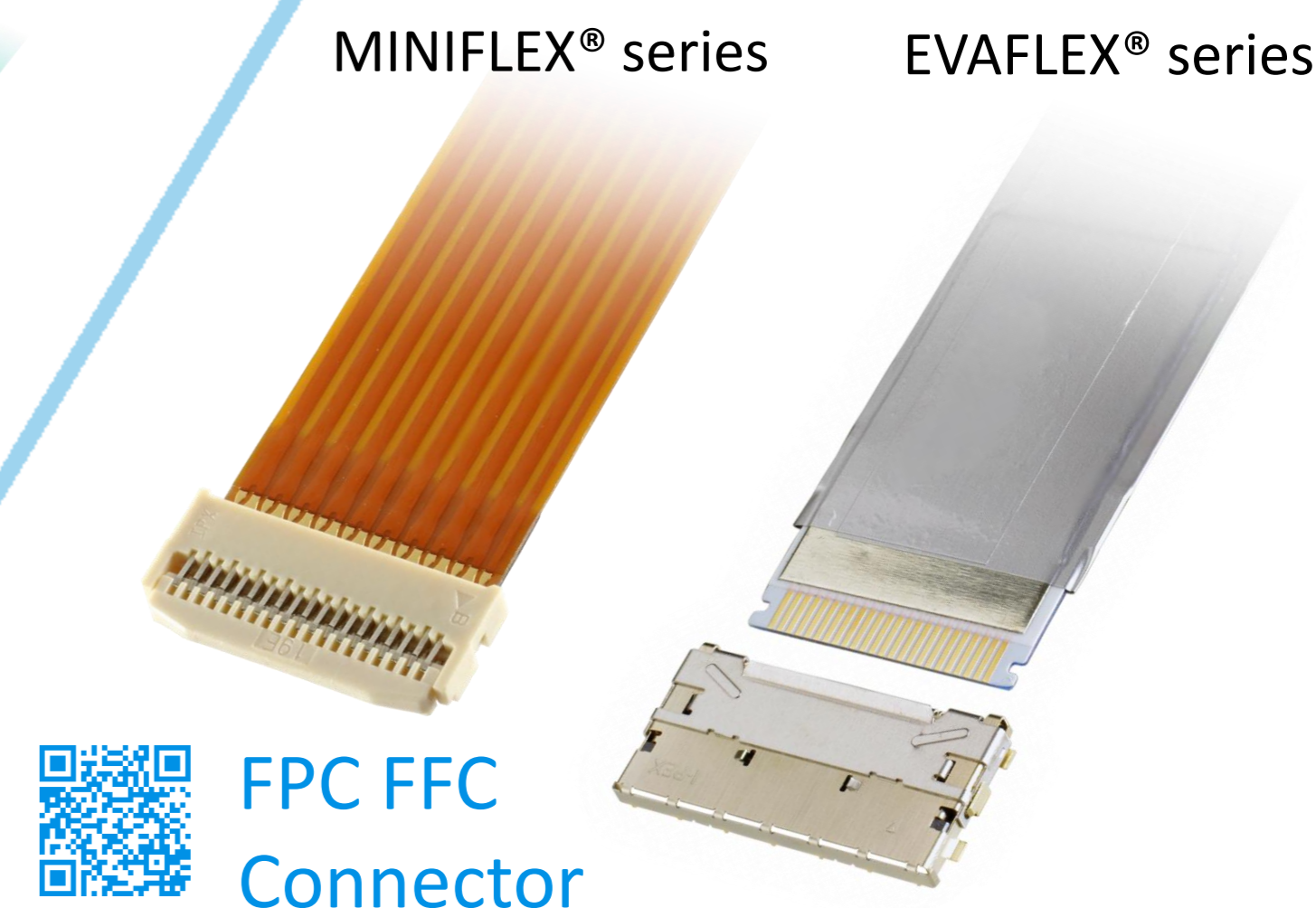
ISH® series



MINIFLEX® series

EVAFLEX® series

 FPC FFC
Connector

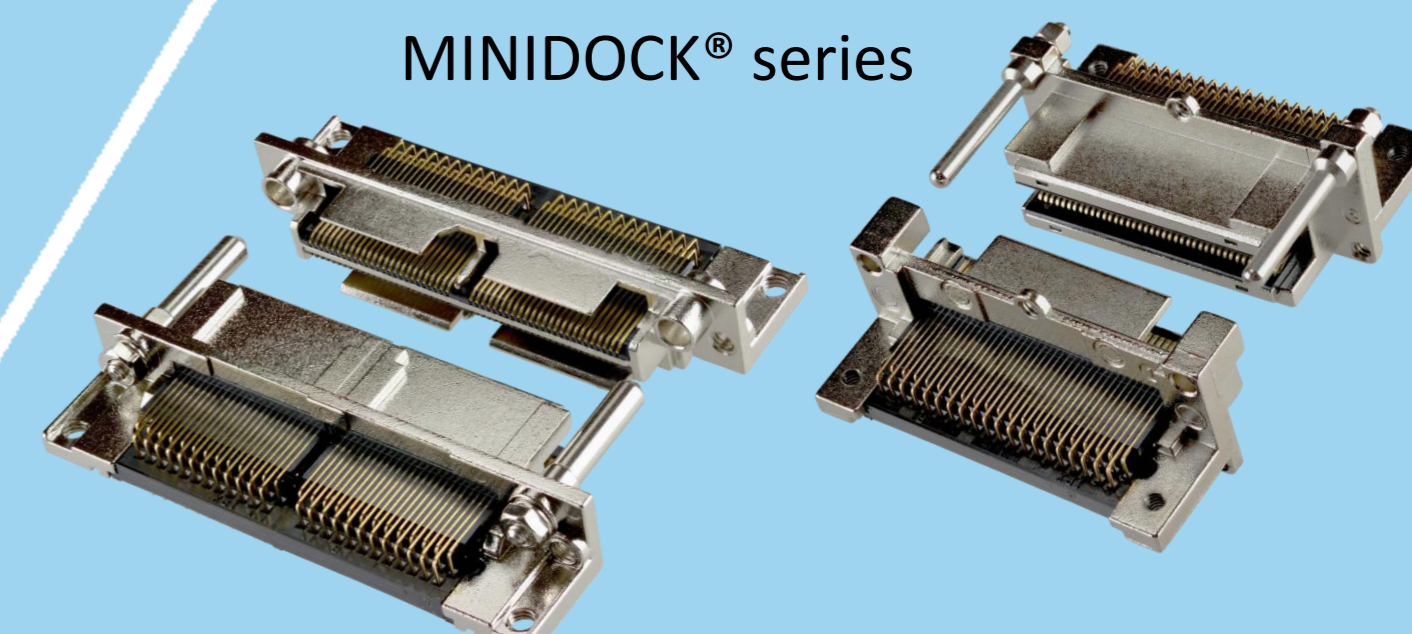


Inquiry



MINIDOCK® series

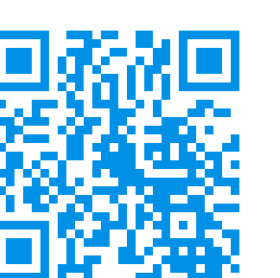
 I/O
Connector



I-PEX, MHF, CABLINE, LIGHTPASS, NOVASTACK, ISH, IARPB, MINIFLEX, EVAFLEX, MINIDOCKS and ZenShield are registered trademarks of I-PEX Inc. Please note that the contents in the catalog might be changed without prior notification. I-PEX Inc. assumes no responsibility for any inaccuracies or obligation to update information on these documents. Please be sure to read and understand the latest "Precautions for Use" and "Instruction Manual" before you use our products. We shall not be responsible for any defects, damages or troubles in case you use our products without following the precautions for use. Please feel free to contact our sales representatives when you use our products for any applications that require very high reliability and safety, or that relate to human life (ex. nuclear power control, aerospace, transportation, medical equipment, safety equipment etc.).

Contact your sales representative or more detailed information.

www.i-pex.com



I-PEX

© I-PEX Inc. 2024
All rights reserved