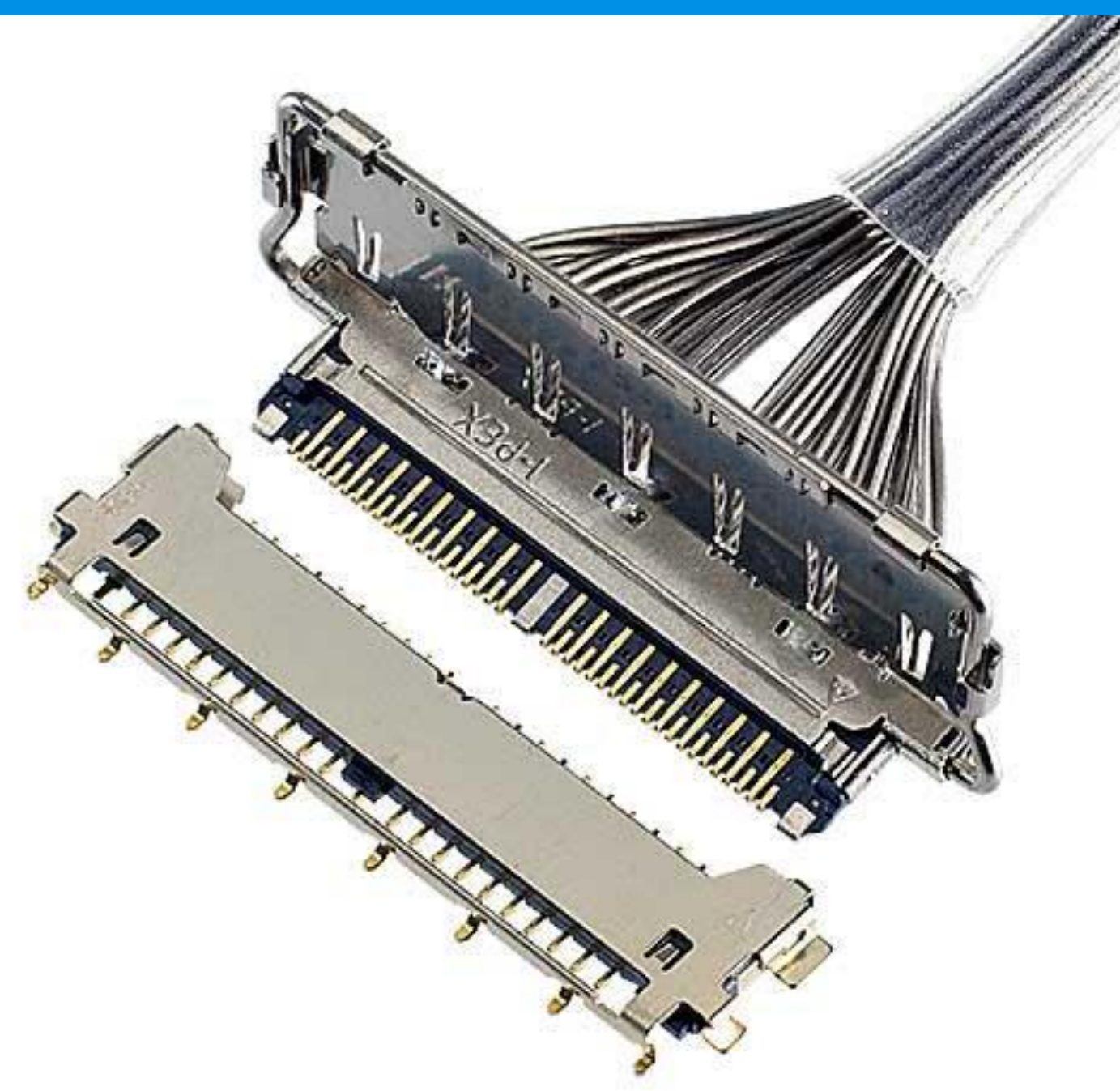


CABLIN[®]-CX II With Cover

협피치(0.25 mm Pitch), 저배(높이 = 1.0 mm max.),
 실드 커버 & 멀티 그라운드 접점,수평 결합 타입 세션 동축 커넥터



Product Specifications:

Mating type	Horizontal	
Board Pitch (mm)	0.5	
Wiping Length (mm)	0.54	
Mated size (mm)	Height	1.0 max. with cover
	Width	Formula: 6.45 + (0.25*?p)
	Depth	5.6
Pin Counts	Range	Up to 40
	Available	40

Applicable Cable Size:

Maximum O.D. (mm)	0.25
Micro-Coaxial for Signal (AWG)	45 ohm: #44 or smaller 50 ohm: #46 or smaller
Twinax (AWG)	-
Discrete (AWG)	#39 or smaller

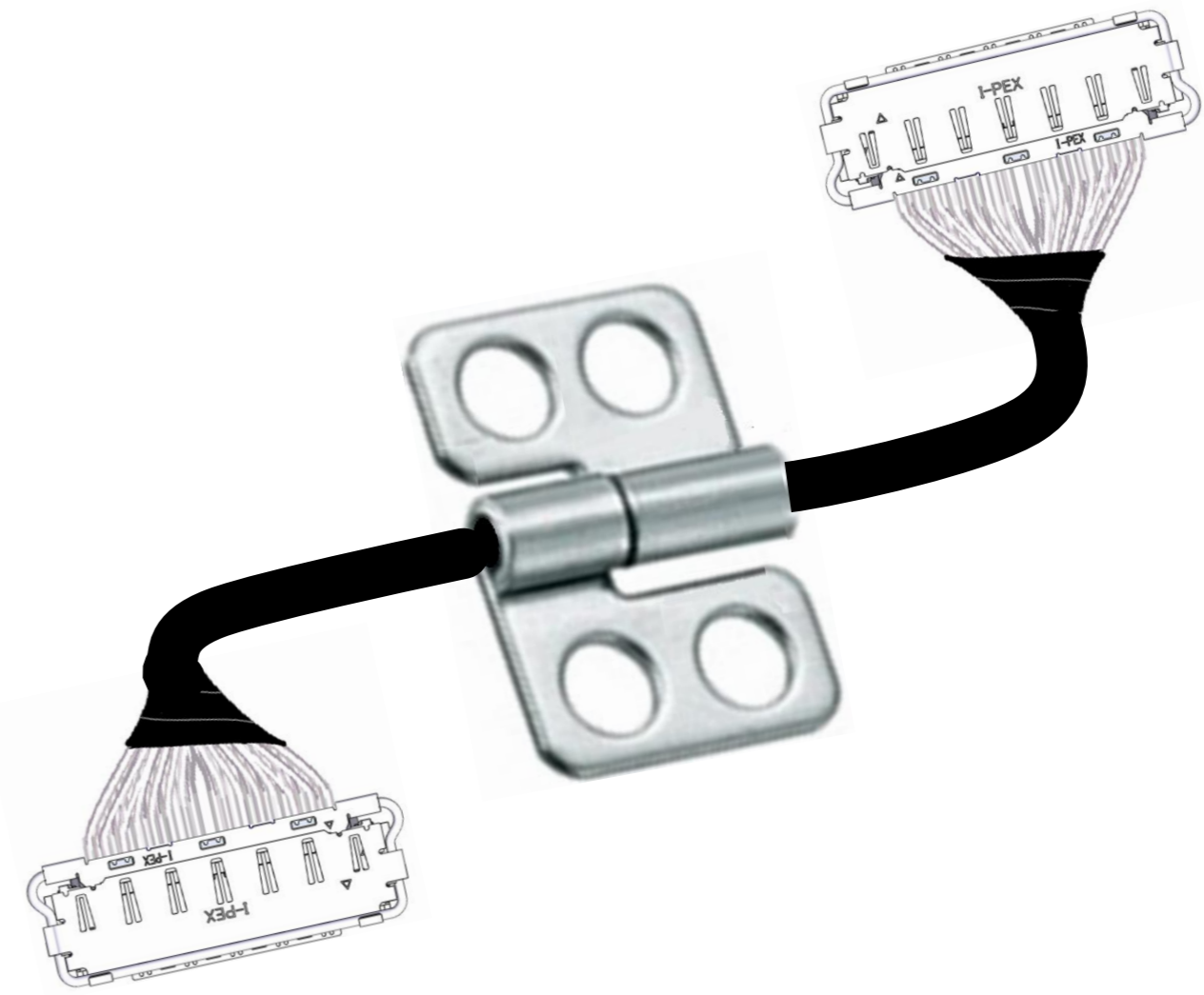
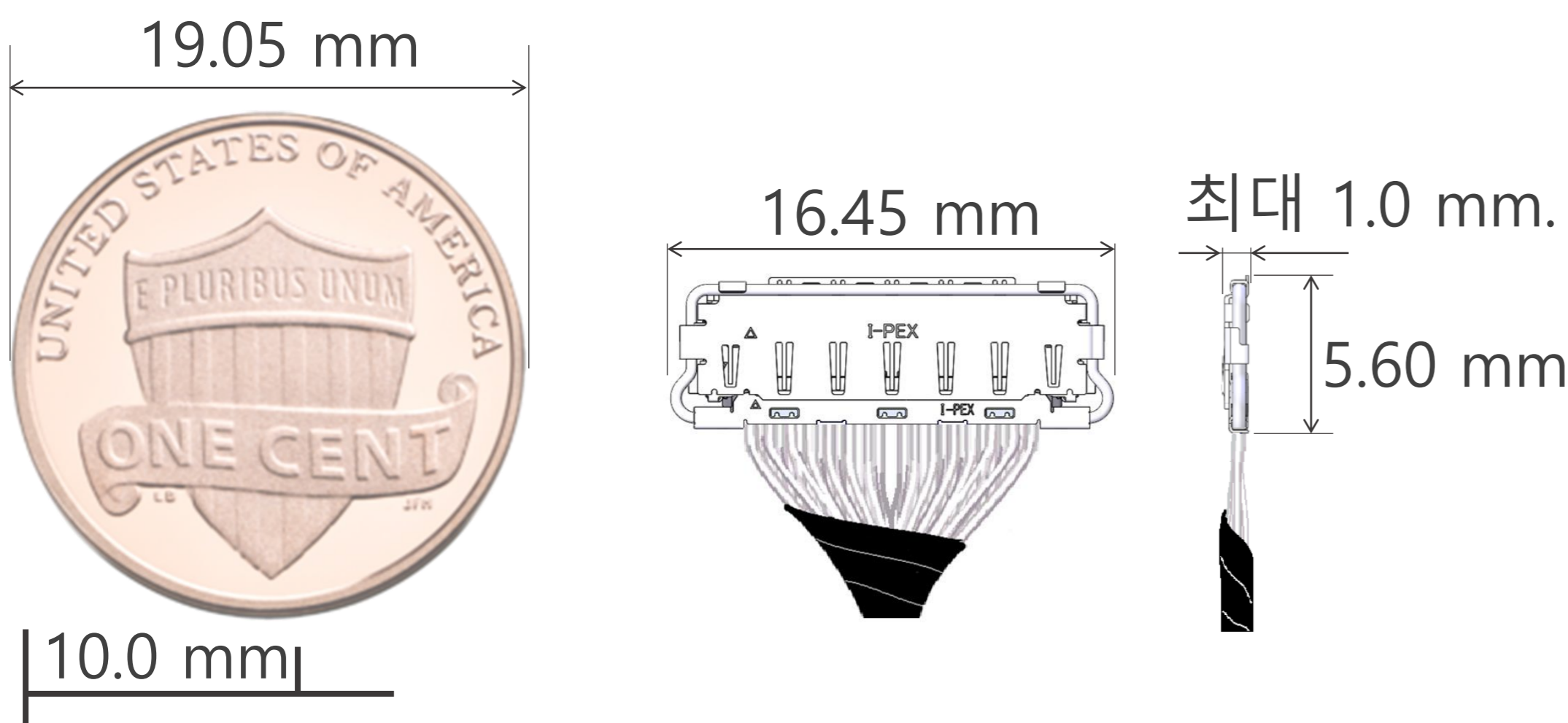
Applicable Standards (Reference Only):

USB 3.1 Gen 1 (5 Gbps), V-By-One HS 1.4 (4 Gbps),
 HDMI 1.3 (3.4 Gbps) Gbps

*기재가 되어있지 않은 핀 수의 대응 여부에 대해서는 문의해 부탁드립니다.
 *Without Cover타입 CABLINE[®]-CX II (체결 높이 최대 0.78mm)도 있습니다.

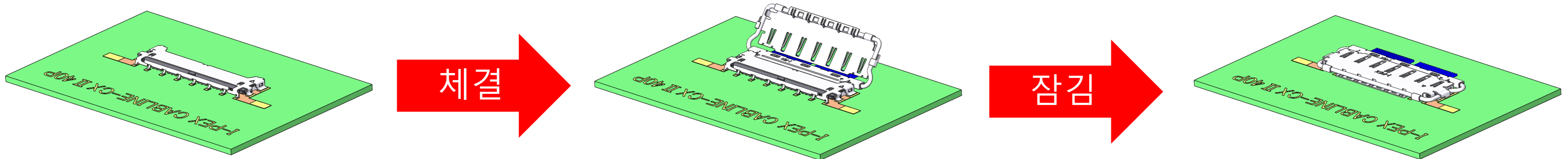
▶ 협소한 공간에 최적

CABLIN-CX II 40p크기는 1센트 동전보다 작습니다.
 체결 높이: 최대 1.0mm

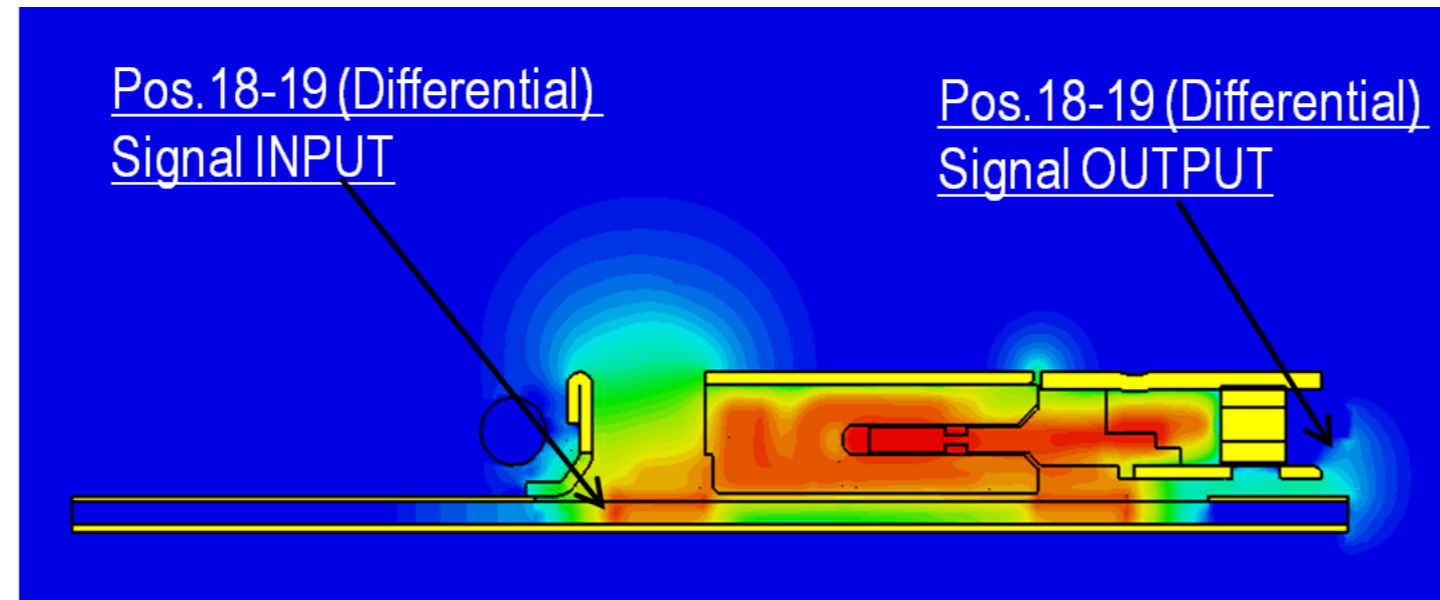
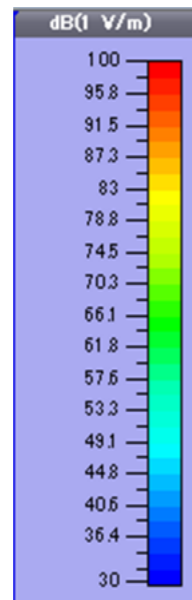


유연한 마이크로 동축 케이블 하네스는Hinge 디자인이 적용된 애플리케이션에 적합합니다.

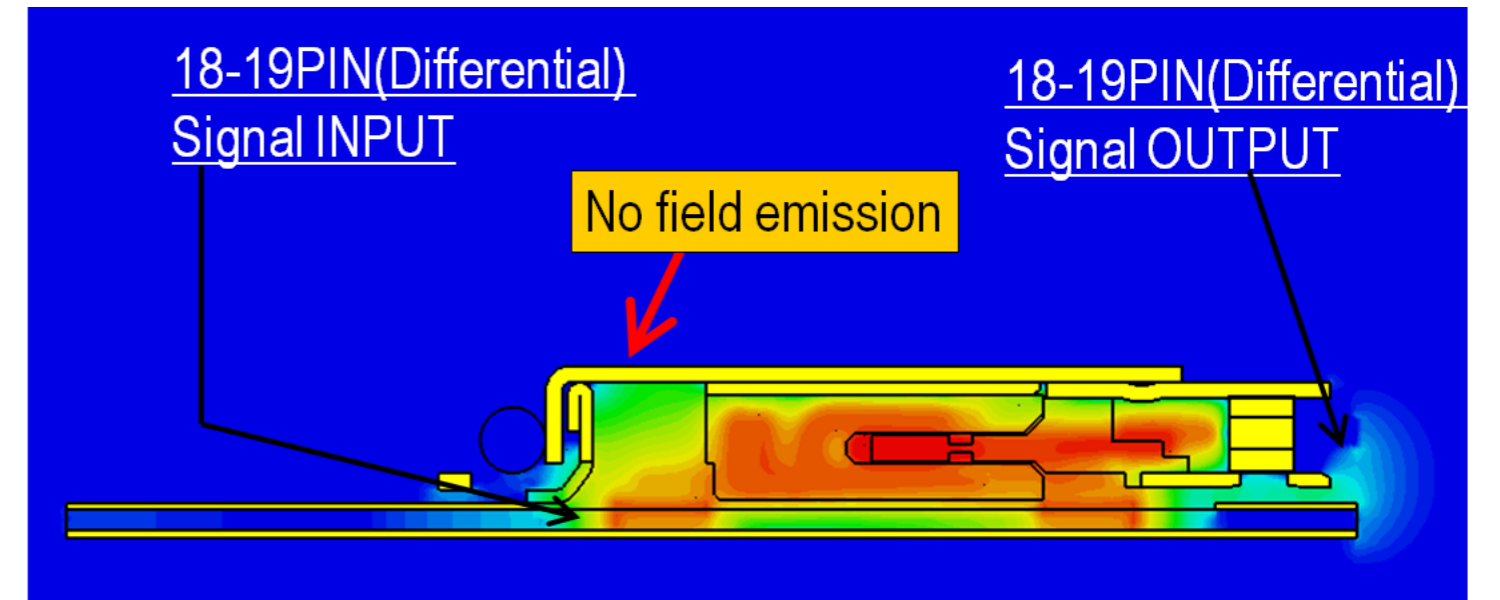
▶ 기계식 Lock 커버에 의한 실드 구조의 EMI 대책



EMI 시뮬레이션 (2.4 GHz)

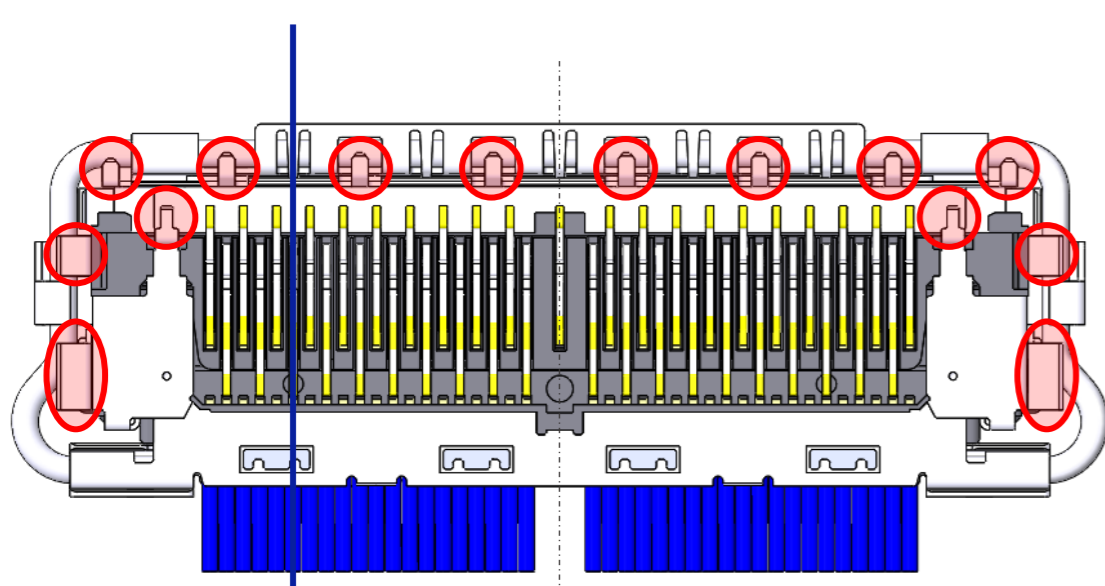


EMI 커버 미장착 시

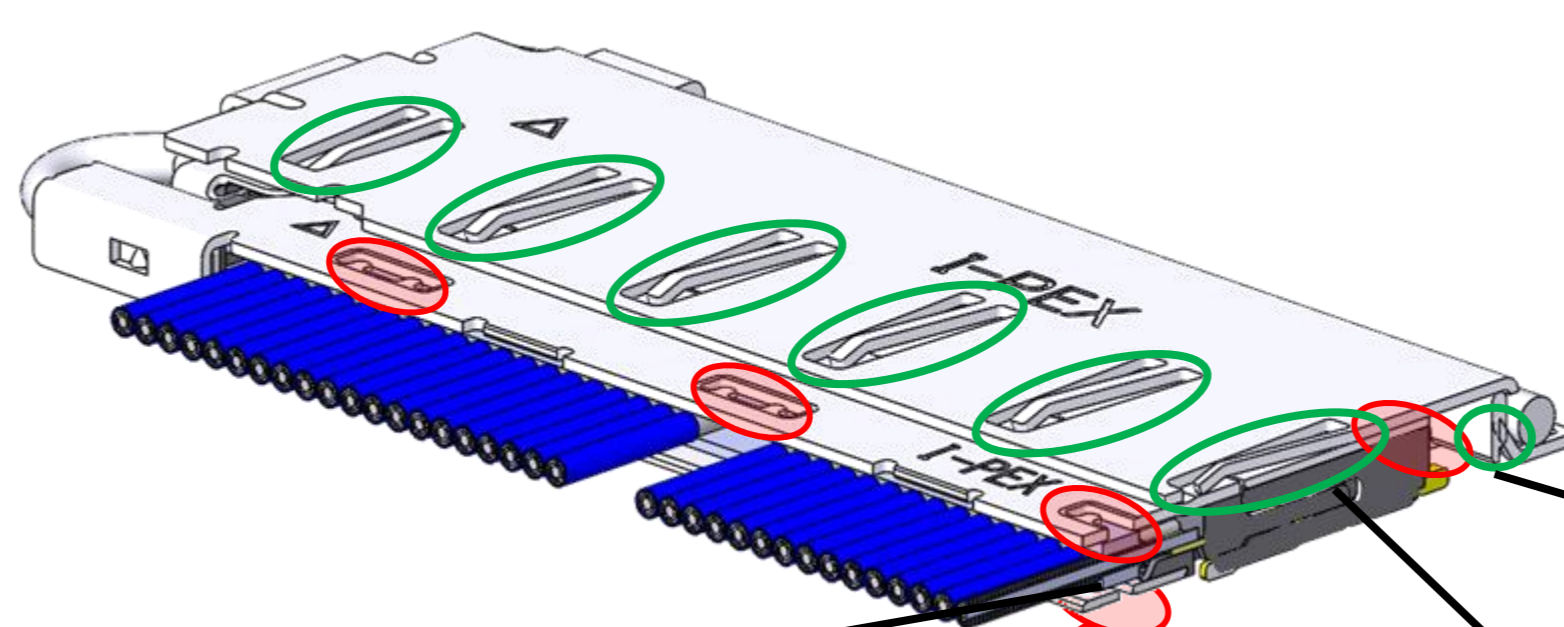


EMI 커버 장착 시

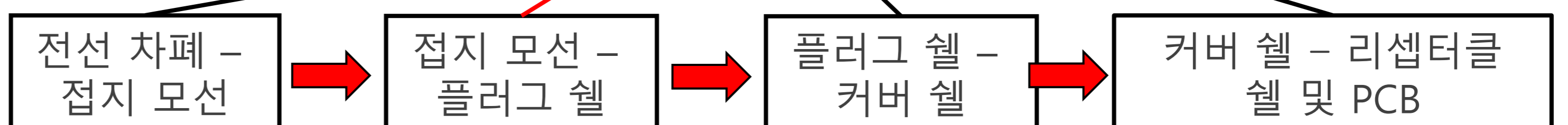
▶ EMI 실드 및 멀티 그라운드 접점 설계



아랫면

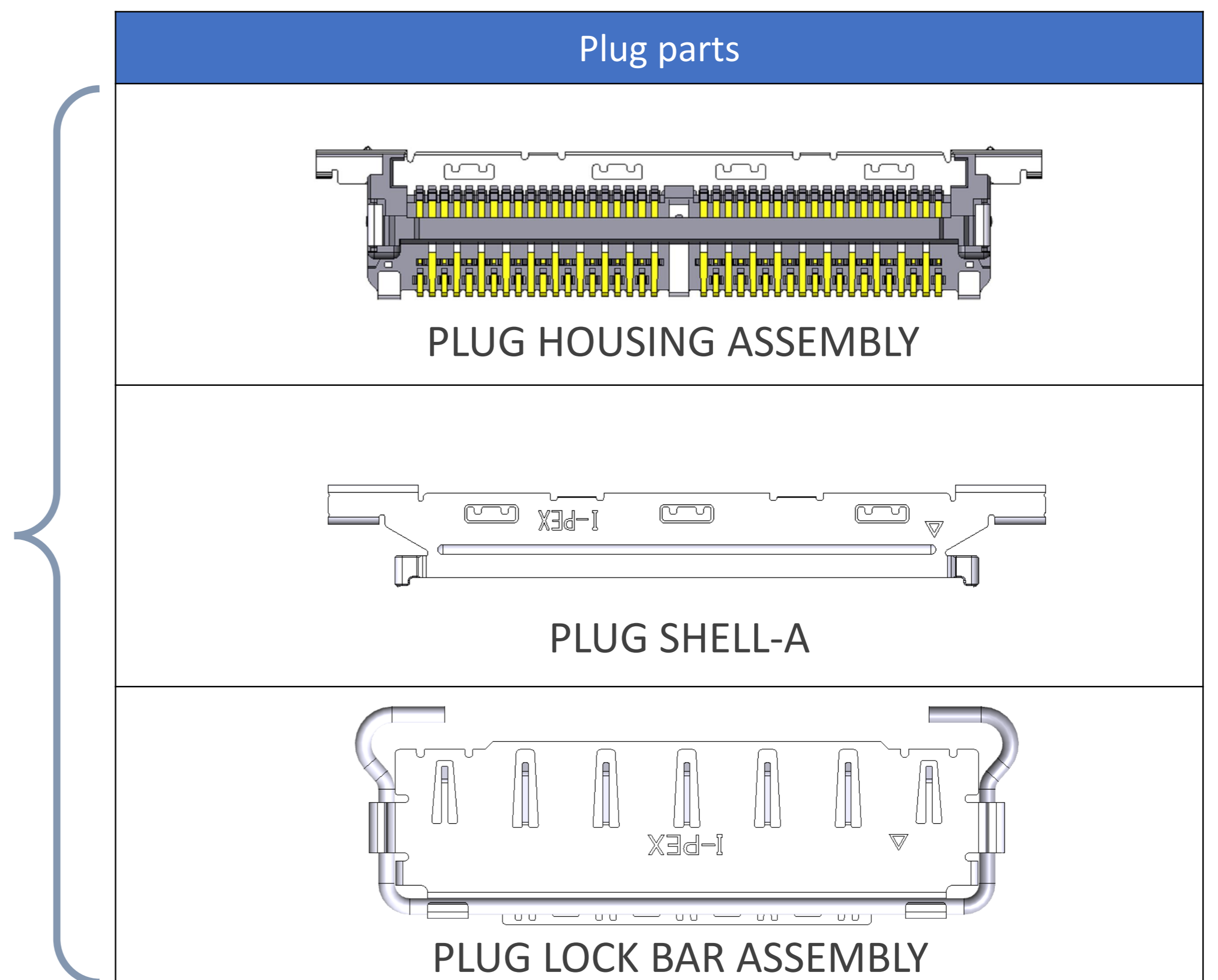
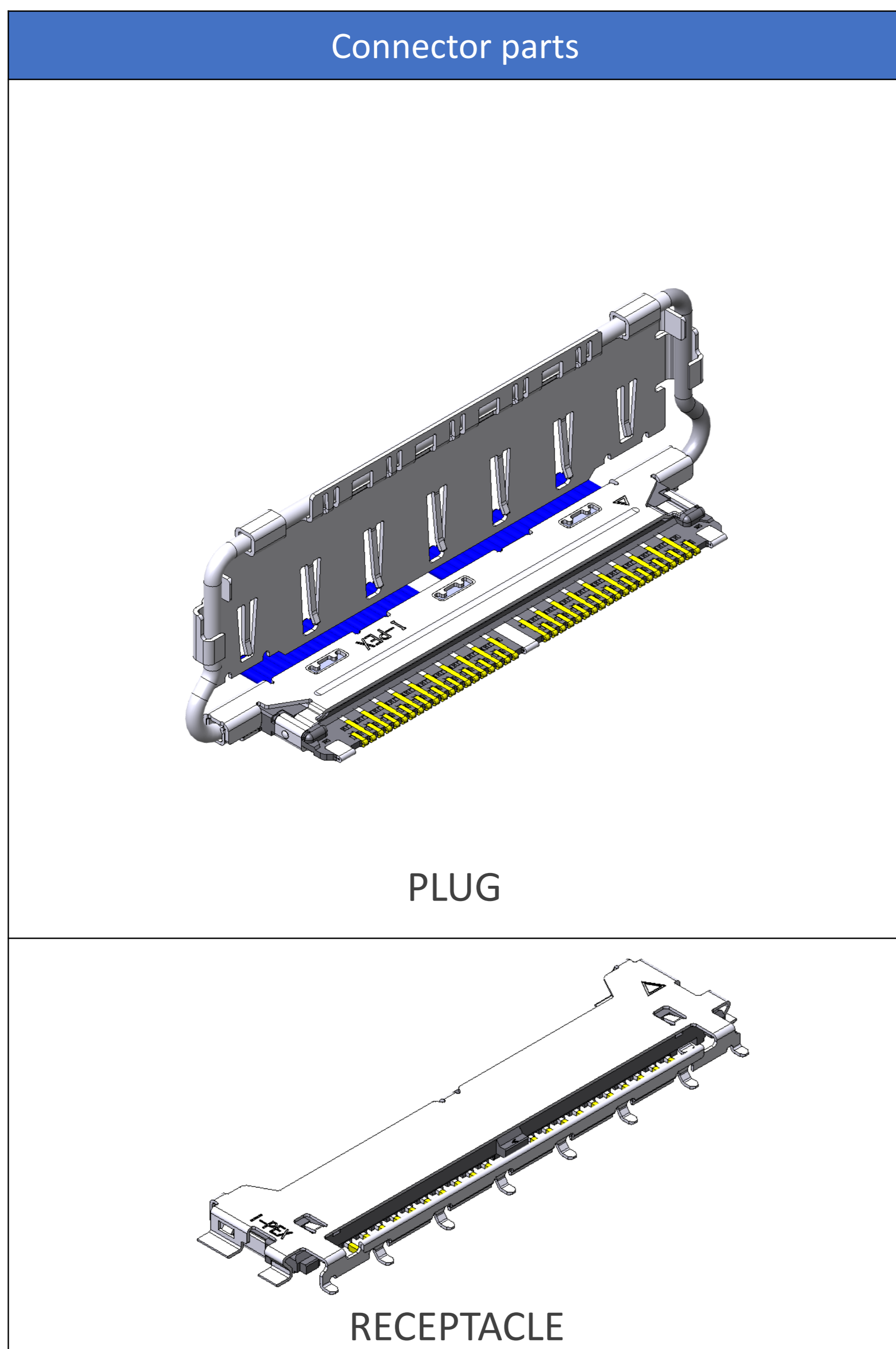


- 납땜한 접촉부
- 기계적 접촉부



Component Parts Details

Component Parts

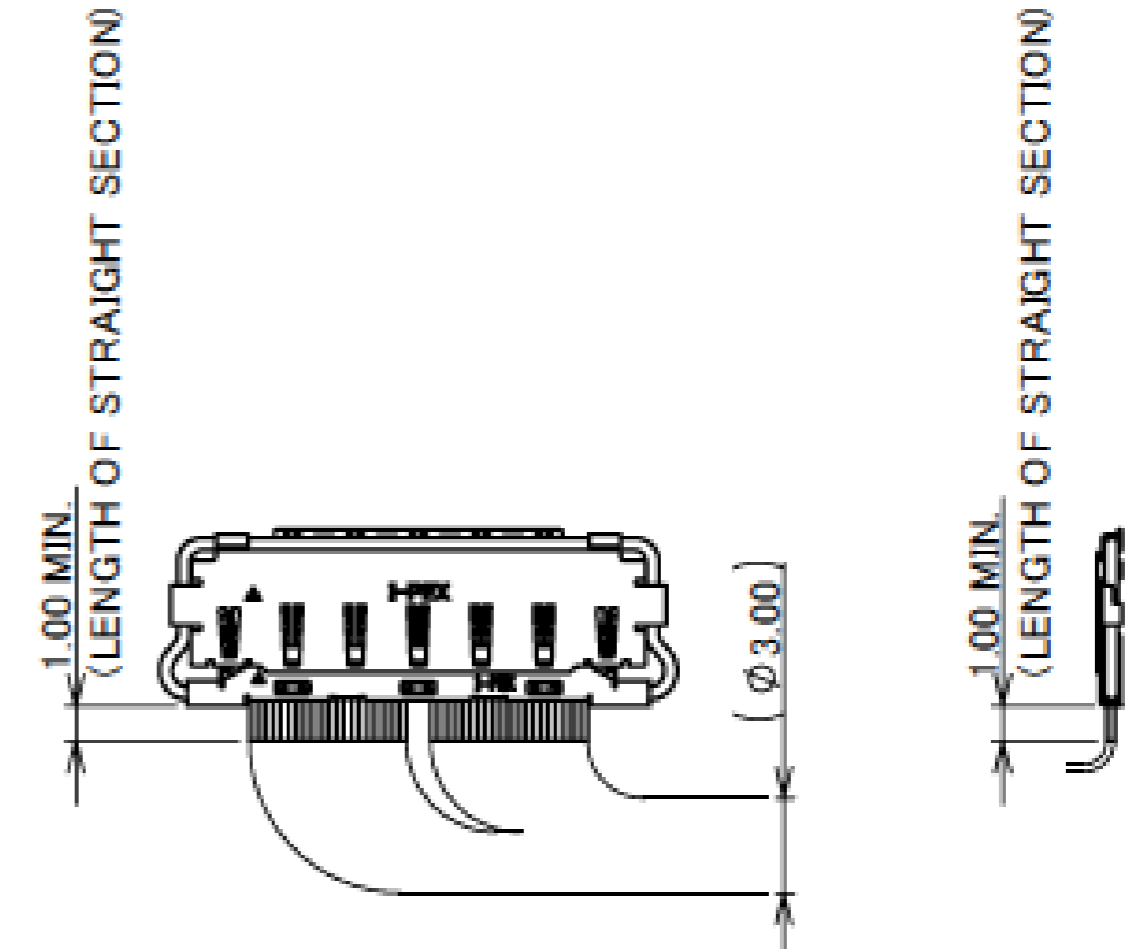
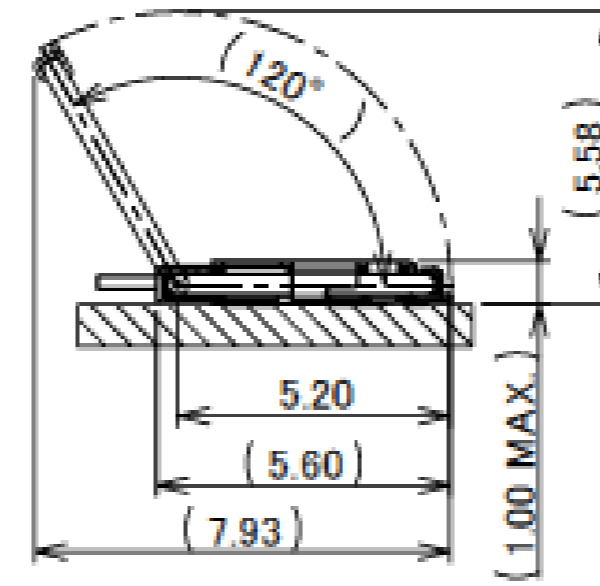
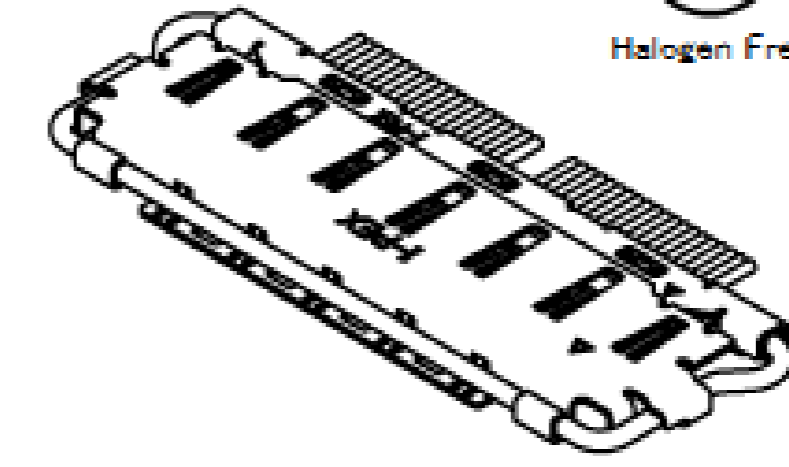
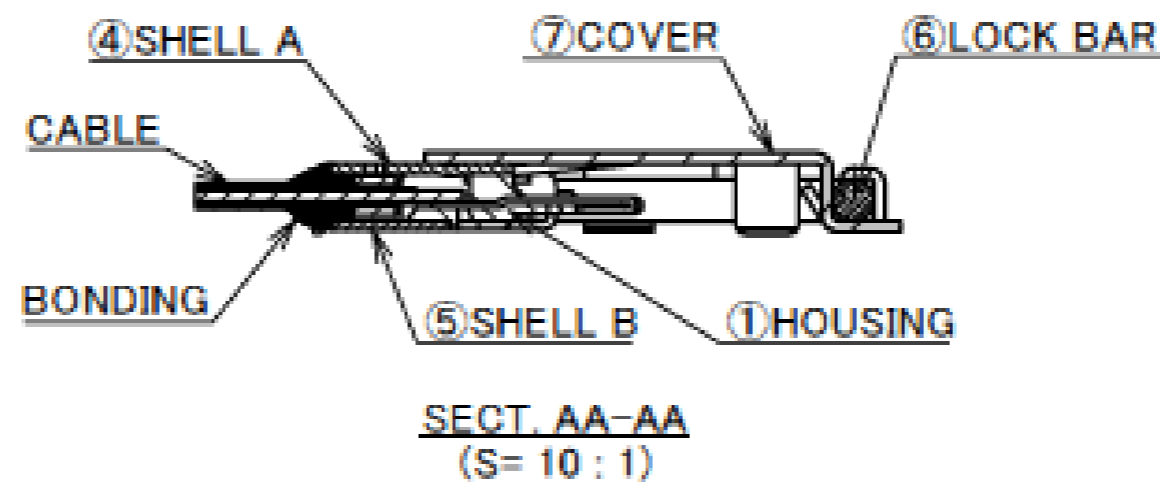
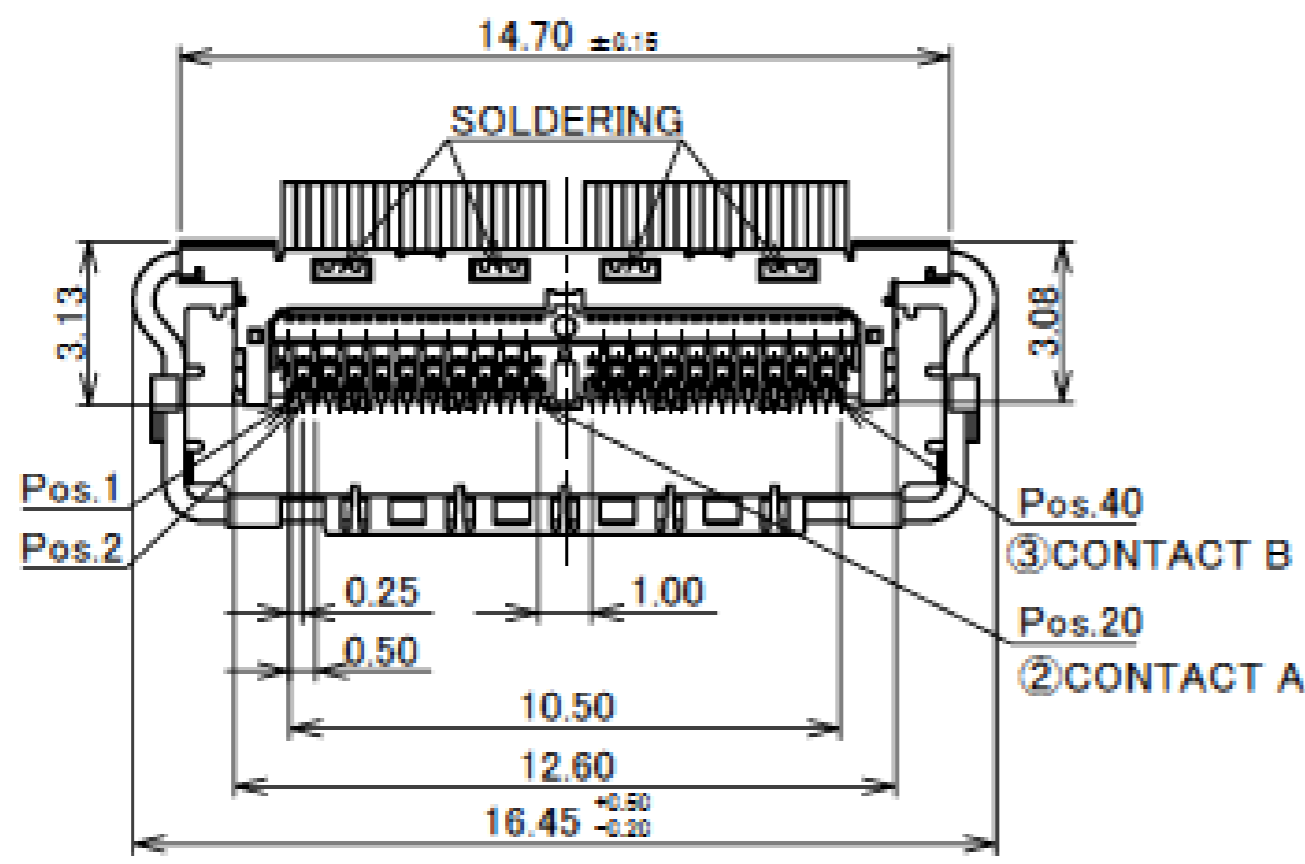


Plug for Cable Assembly

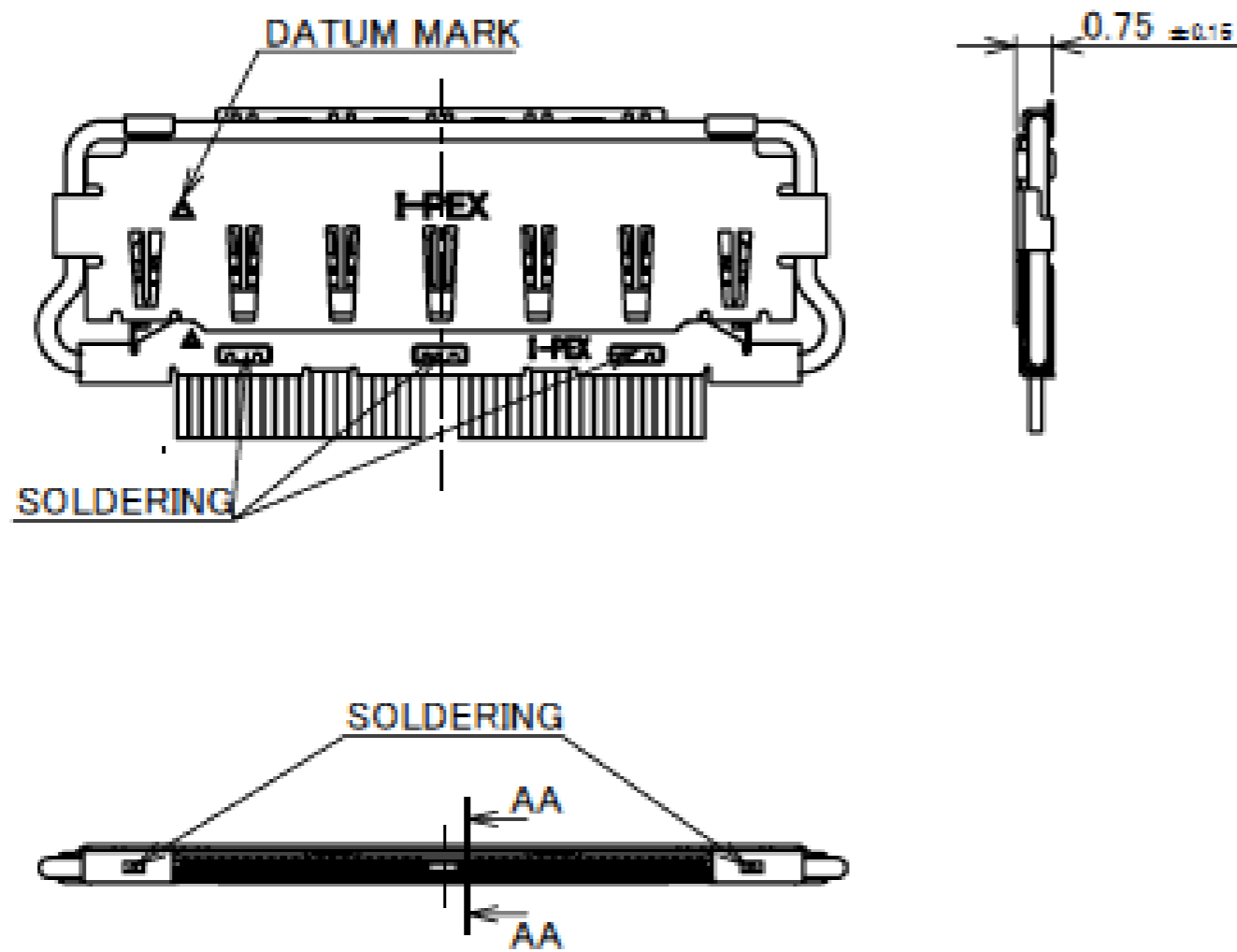
Recommended P/N		20977-040T-01
PART NO.	Pos.	
20977-040T-01	40	



BOTTOM VIEW

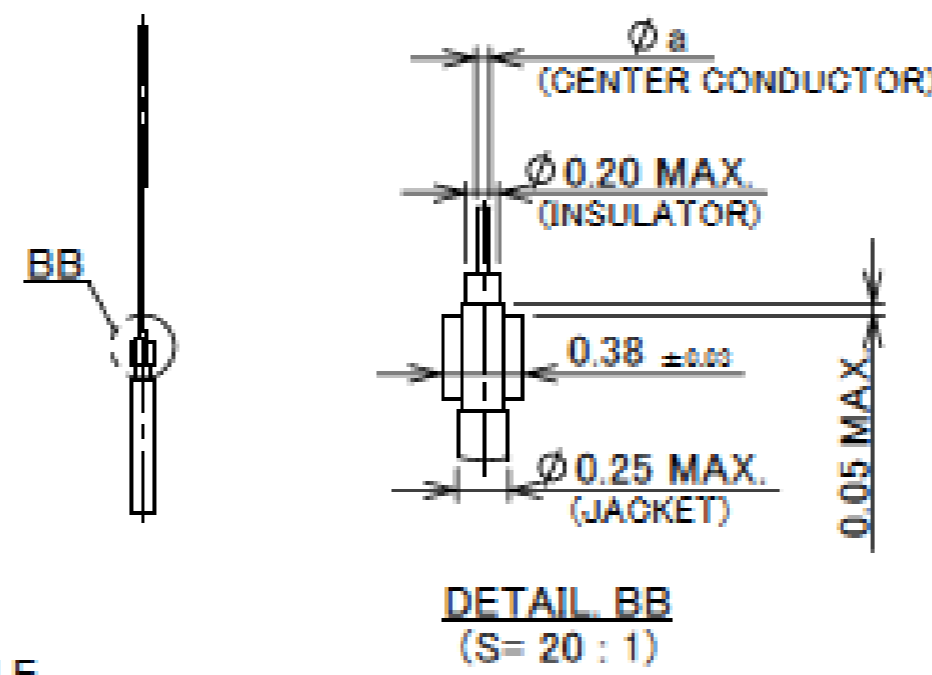
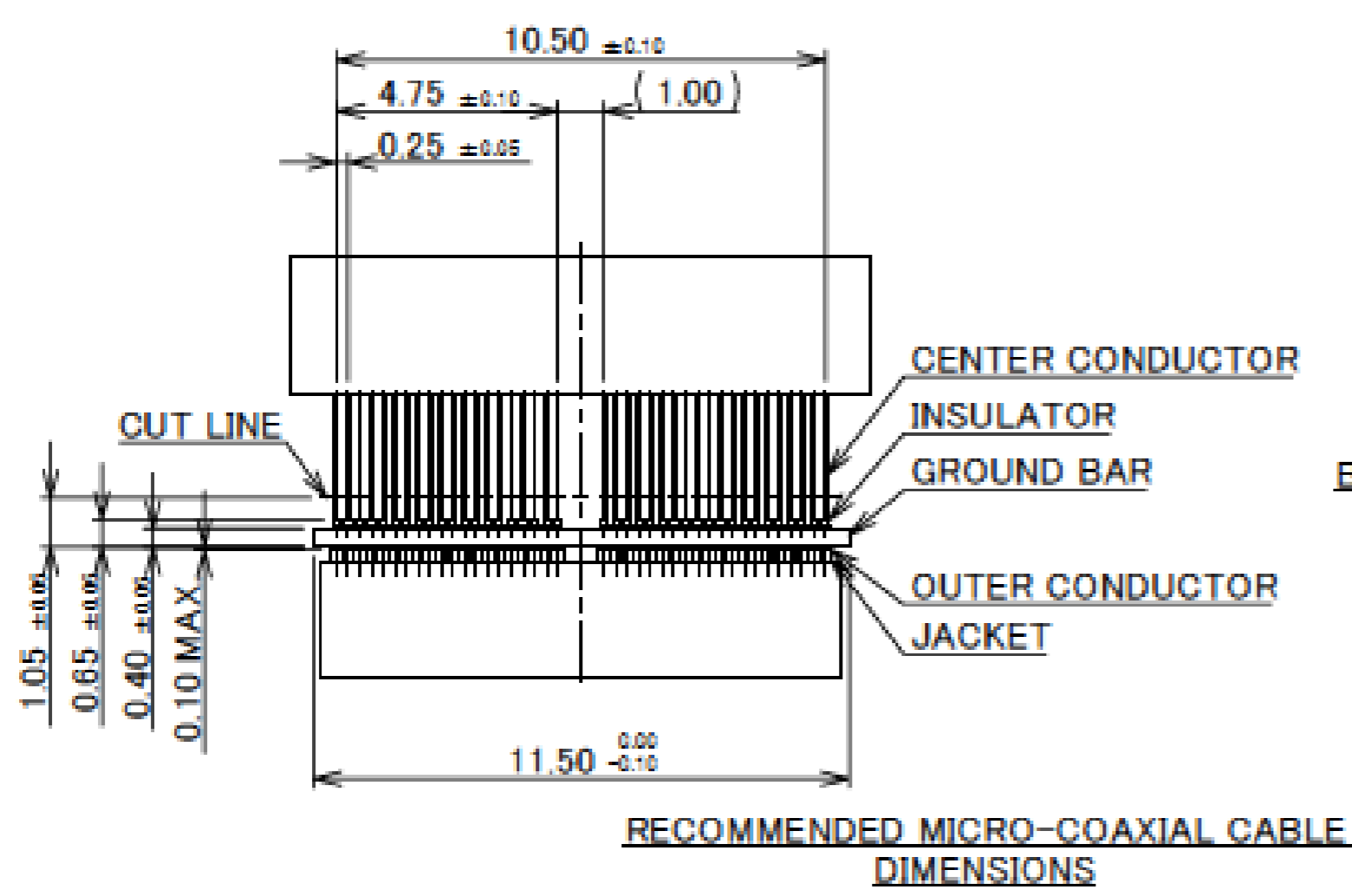


TOP VIEW



NO.	DISCRIPTION	MATERIAL	FINISH , REMARKS
7	COVER	PHOSPHOR BRONZE	ALL OVER Ni 1.00 μm MIN.
6	LOCK BAR	SUS	-
5	SHELL B	SUS	PARTIAL Au 0.003 μm MIN. OVER Ni 1.00 μm MIN.
4	SHELL A	SUS	PARTIAL Au 0.003 μm MIN. OVER Ni 1.00 μm MIN.
3	CONTACT B	CORSON ALLOY	CONTACT AREA : Au 0.25 μm MIN. OVER Ni 2.00 μm MIN. SOLDERING AREA : Au 0.03 μm MIN. OVER Ni 1.00 μm MIN.
2	CONTACT A	CORSON ALLOY	CONTACT AREA : Au 0.25 μm MIN. OVER Ni 2.00 μm MIN. SOLDERING AREA : Au 0.03 μm MIN. OVER Ni 1.00 μm MIN.
1	HOUSING	LCP	UL94V-0, BLACK

Rev.2



CHARACTERISTIC IMPEDANCE MATCHING MICRO-COAXIAL CABLE

	a
#44	0.063
#46	0.048

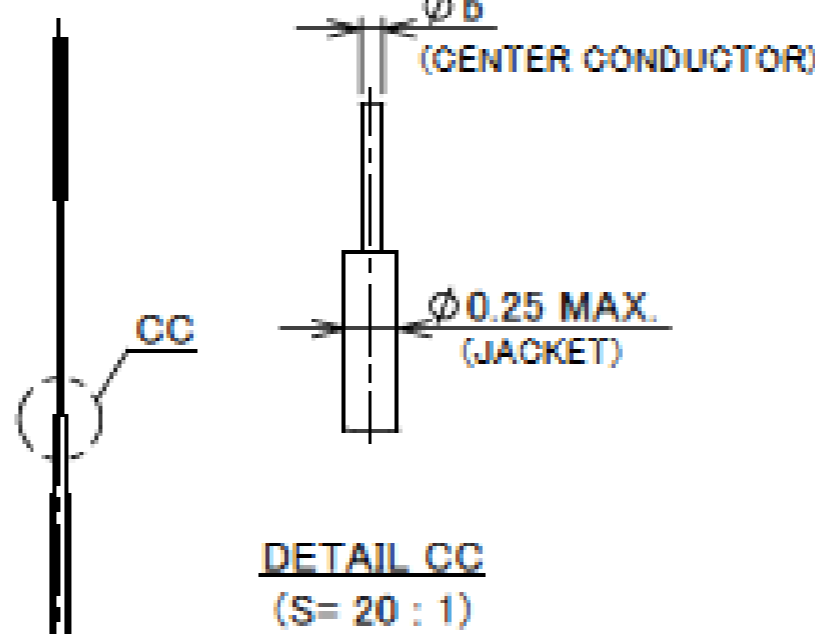
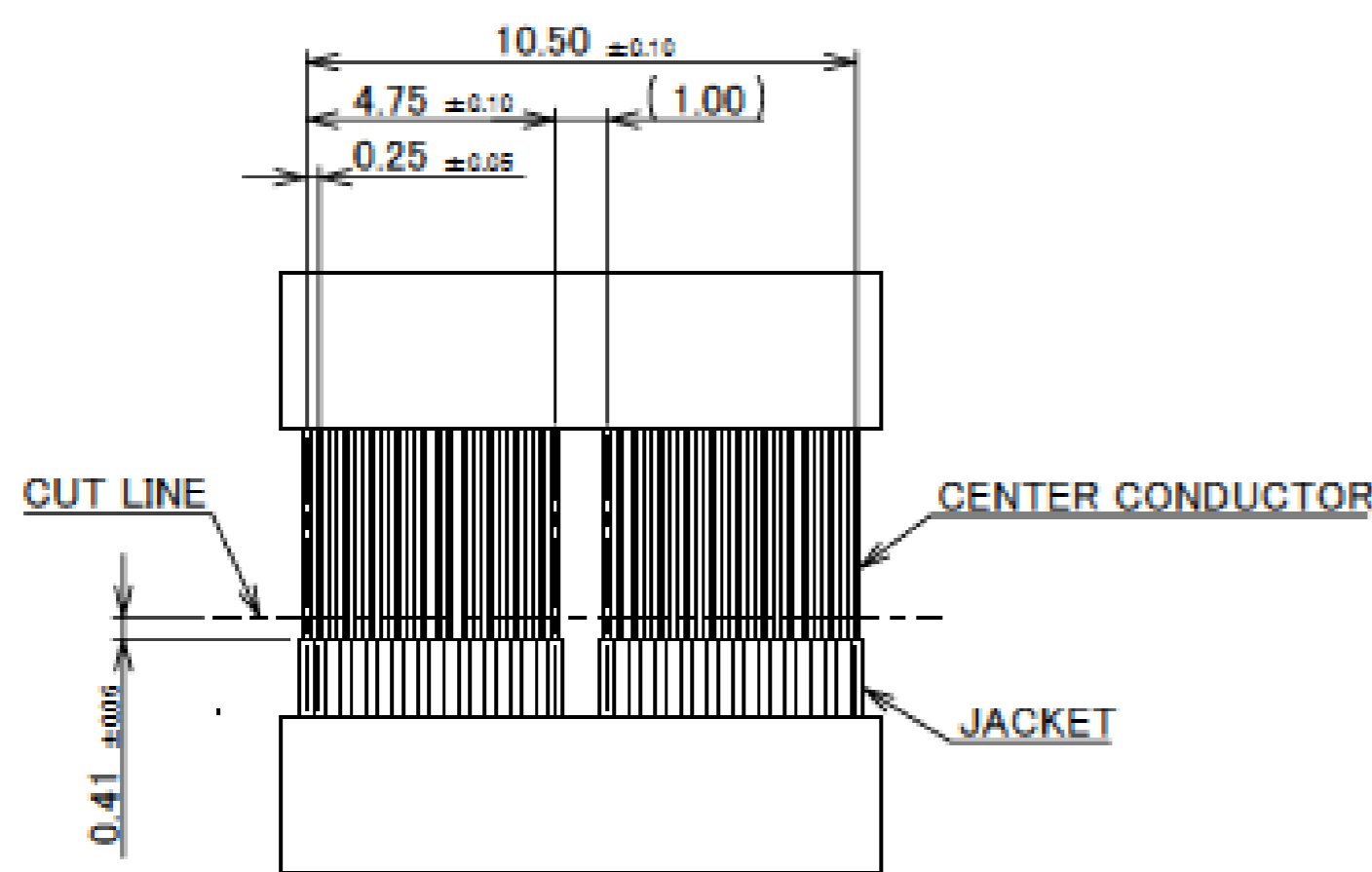
CHARACTERISTIC IMPEDANCE UN-MATCHING MICRO-COAXIAL CABLE

	a
#39	0.102

MICRO-COAXIAL CABLE #39 : NOT RECOMMENDED FOR HIGH SPEED SIGNAL TRANSFER

DISCRETE WIRE DIMENSION

	b
#39	0.102



Rev.2

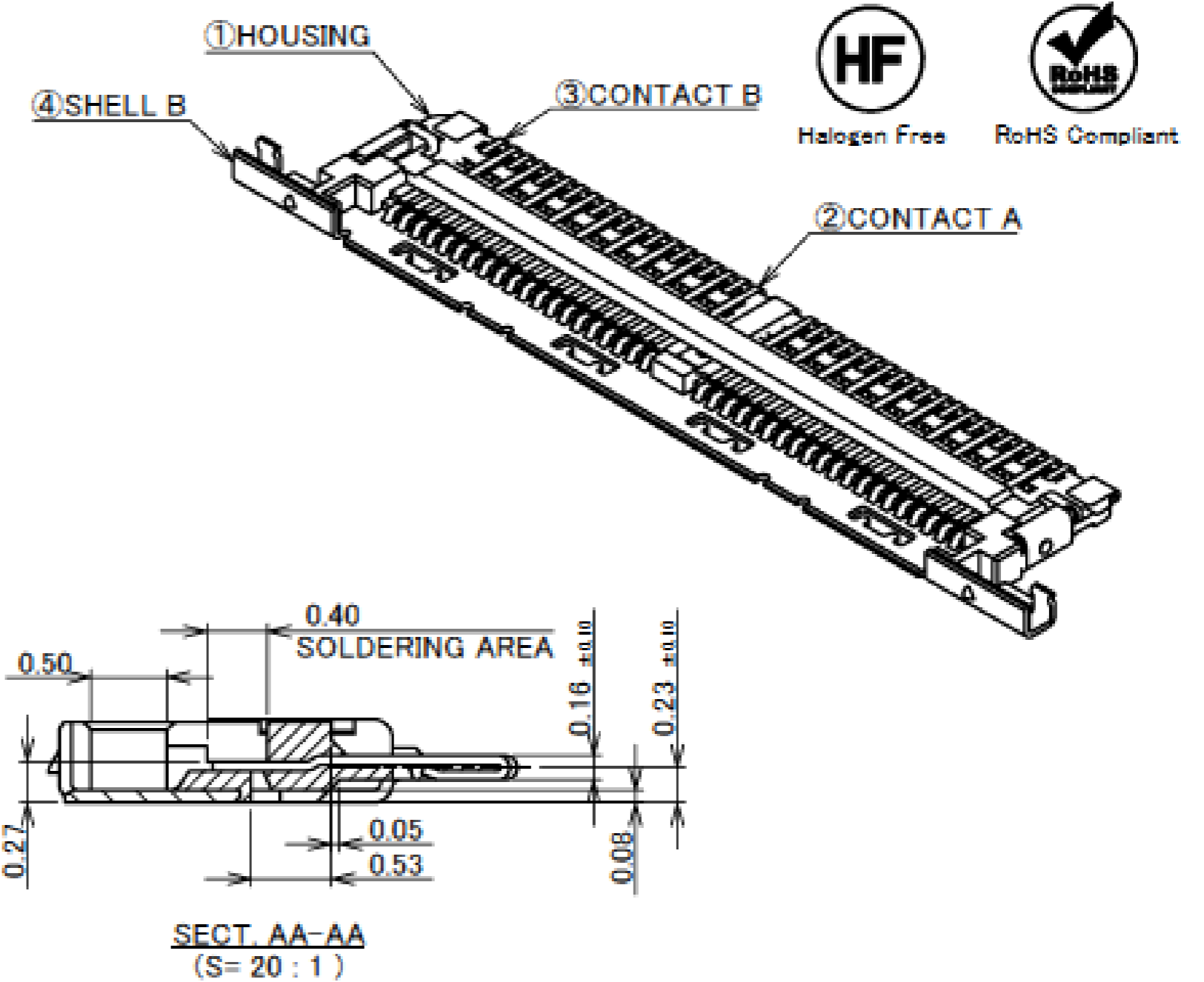
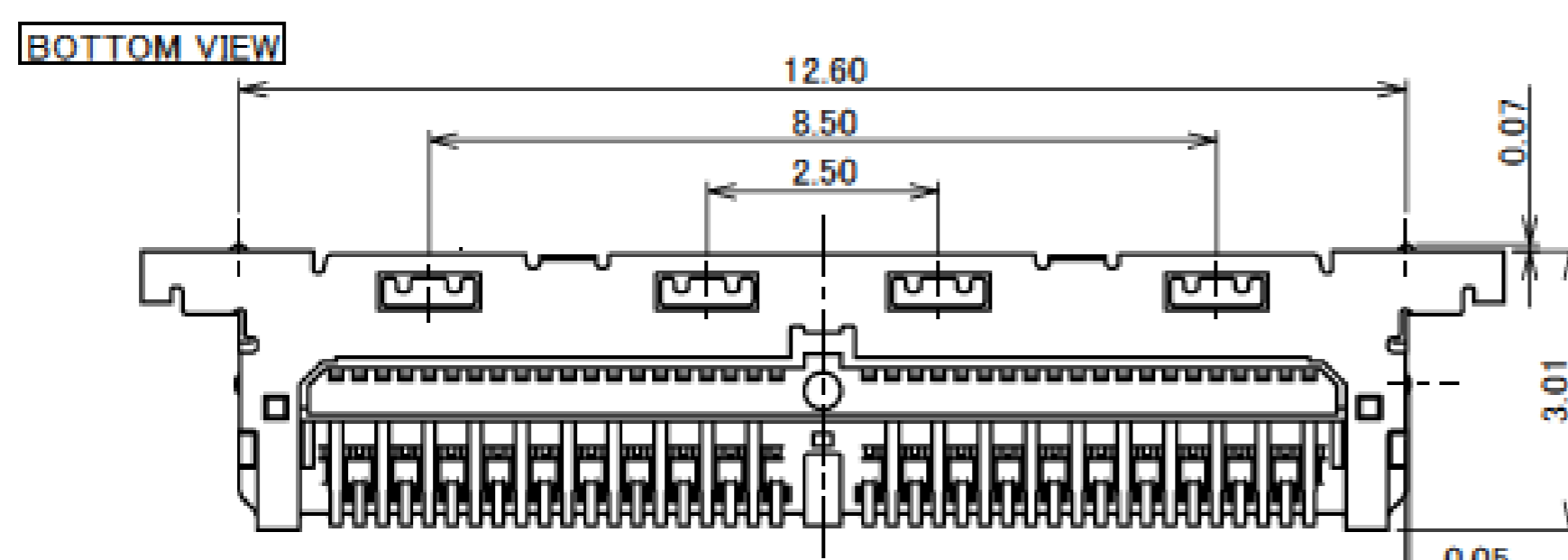
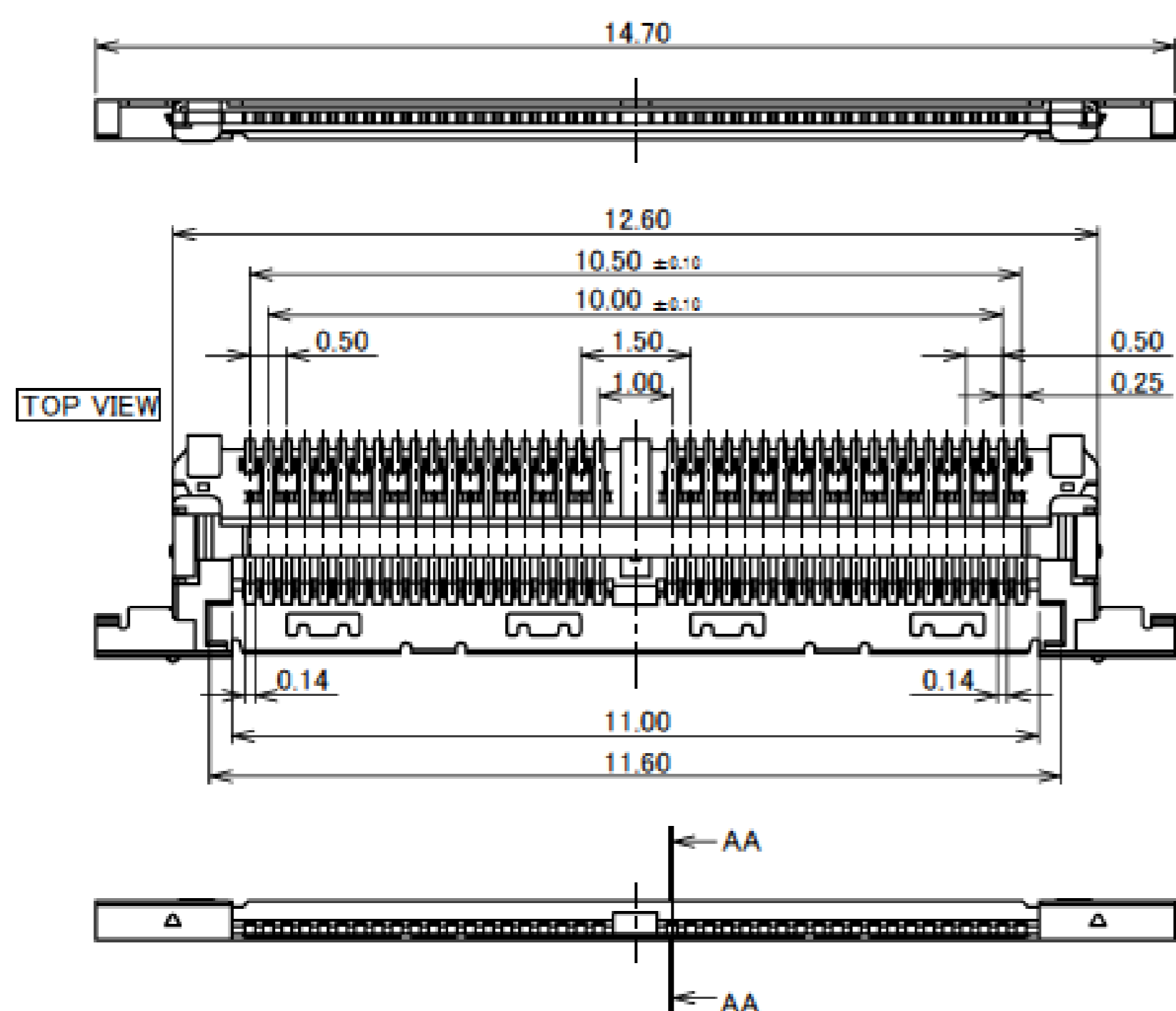
Plug for Cable Assembly

ITEMS	SPECIFICATION
APPLICABLE CABLE	MICRO-COAXIAL CABLE : AWG# 46,44,39 DISCRETE WIRE : AWG# 39
RATING VOLTAGE	100V AC (PER CONTACT PIN)
RATING AMPERAGE (FOR CONTACT)	0.10A AC/DC [AWG#46] PER CONTACT PIN/UP TO 40 CONTACTS 0.15A AC/DC [AWG#44] PER CONTACT PIN/UP TO 40 CONTACTS 0.50A AC/DC [AWG#39] PER CONTACT PIN/UP TO 8 CONTACTS ※TESTING BY A REAL MACHINE IS RECOMMENDED BECAUSE TEMPERATURE RISE MAY AFFECTED BY ACTUAL SITUATION
OPERATING TEMPERATURE	233~358K(-40℃~+85℃) (CONTAINING TEMPERATURE RISE BY CURRENT)
OPERATING HUMIDITY	85% MAX.(NON-CONDENSING)
CONTACT RESISTANCE	INITIAL : 388mohm MAX.(AWG#39) / AFTER TEST : \triangle 40mohm MAX. INITIAL : 1,080mohm MAX.(AWG#44) INITIAL : 1,830mohm MAX.(AWG#46)
GROUND SHELL RESISTANCE	INITIAL : 50mohm MAX. / AFTER TEST : \triangle 40mohm MAX.
INSULATION RESISTANCE	INITIAL : 1,000Mohm MIN. / AFTER TEST : 500Mohm MIN.
DIELECTRIC WITHSTANDING VOLTAGE	AC250V 1min
DURABILITY	20 CYCLES
MATING FORCE (INITIAL / 20 CYCLES)	40P : 30.0N MAX.
UNMATING FORCE (INITIAL / 20 CYCLES)	40P : 4.0N MIN.
CABLE RETENTION FORCE	40P : 19.60N MIN.
PRODUCT SPECIFICATION	PRS-2403
TEST REPORT	TR-17063
INSTRUCTION MANUAL	HIM-17035
ASSEMBLY MANUAL	ASM-17008
APPEARANCE CRITERIA No.	QLS-A***

Rev.2

Plug Housing Assembly

Recommended P/N	20974-040T-01
PART NO.	Pos.
20974-040T-01	40



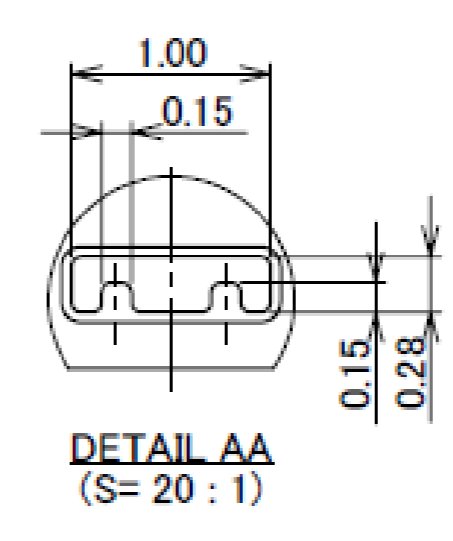
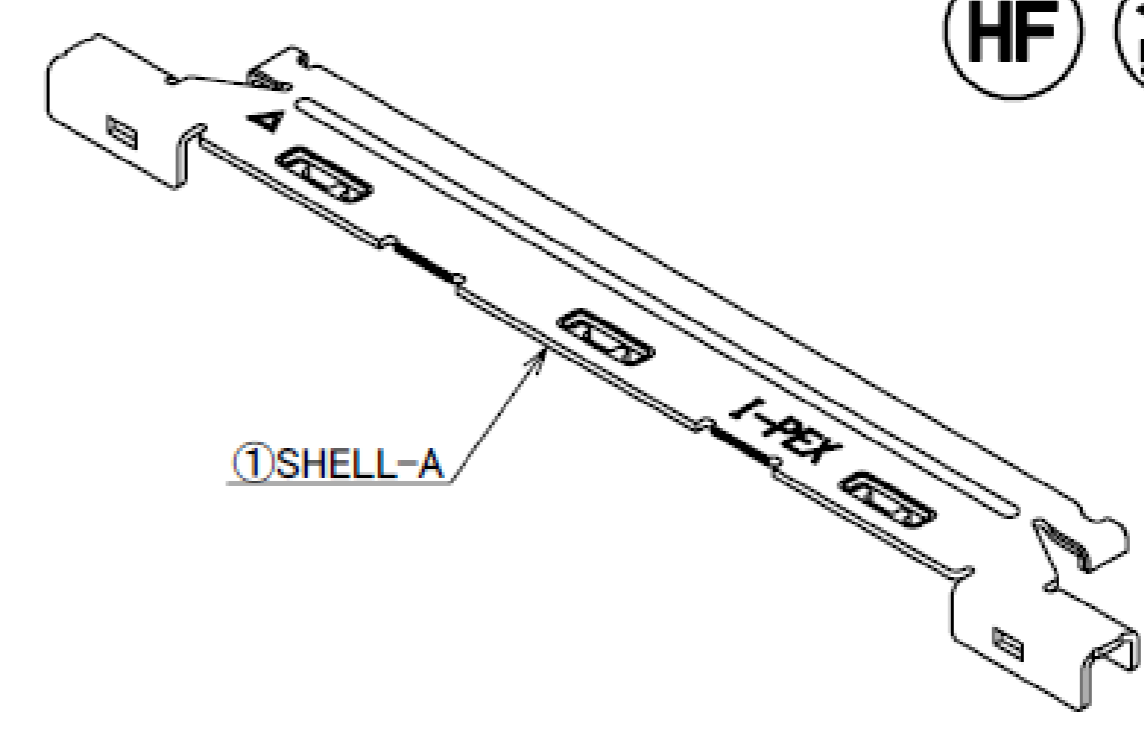
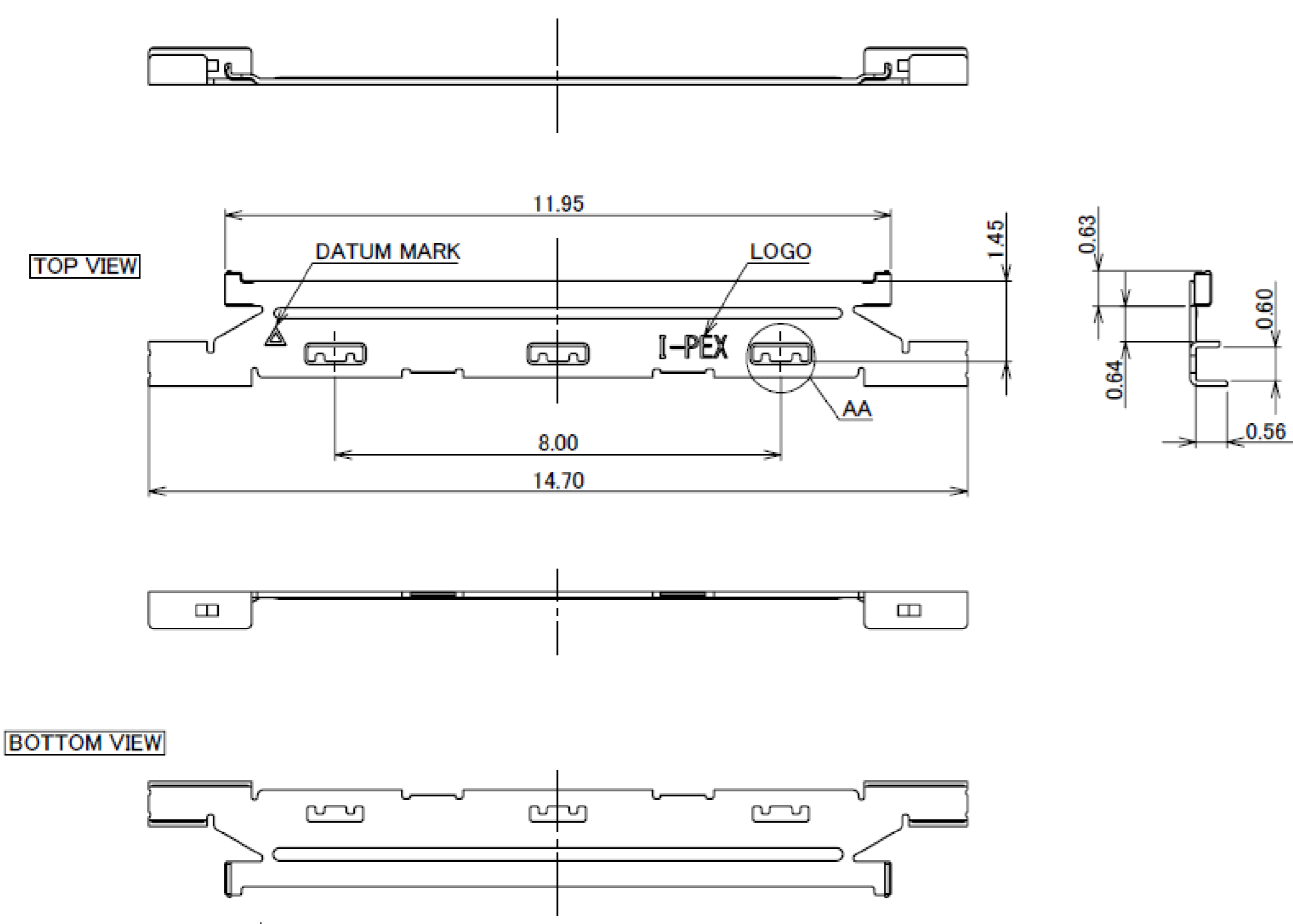
NOTES.
1. ASSEMBLY
1-1. 20977-040T-01
THIS PART IS ASSEMBLED WITH SHELL A (P/N 3655-0401) AND LOCK BAR ASS'Y (P/N 20975-040T-01) AFTER SOLDERED THE CABLE.
1-2. 20978-040T-01
THIS PART IS ASSEMBLED WITH SHELL A (P/N 3655-0401) AND LOCK BAR (P/N 3656-0402) AFTER SOLDERED THE CABLE.

NO.	DISCRIPTION	MATERIAL	FINISH , REMARKS
4	SHELL B	SUS	PARTIAL Au 0.003 μ m MIN. OVER Ni 1.00 μ m MIN.
3	CONTACT B	CORSON ALLOY	CONTACT AREA : Au 0.25 μ m MIN. OVER Ni 2.00 μ m MIN. SOLDERING AREA : Au 0.03 μ m MIN. OVER Ni 1.00 μ m MIN.
2	CONTACT A	CORSON ALLOY	CONTACT AREA : Au 0.25 μ m MIN. OVER Ni 2.00 μ m MIN. SOLDERING AREA : Au 0.03 μ m MIN. OVER Ni 1.00 μ m MIN.
1	HOUSING	LCP	UL94V-0, BLACK

Rev.1

Plug Shell-A

Recommended P/N	3655-0401
PART No.	3655-0401

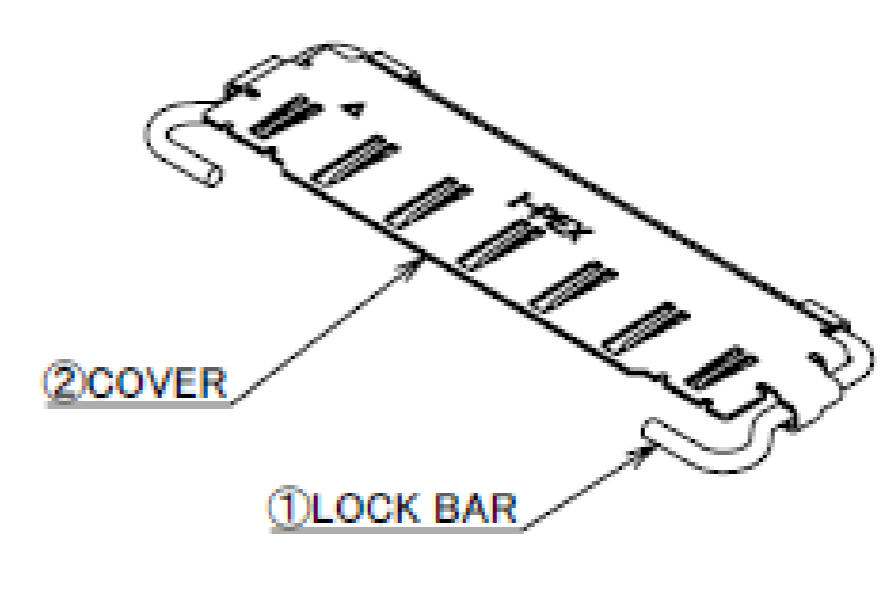
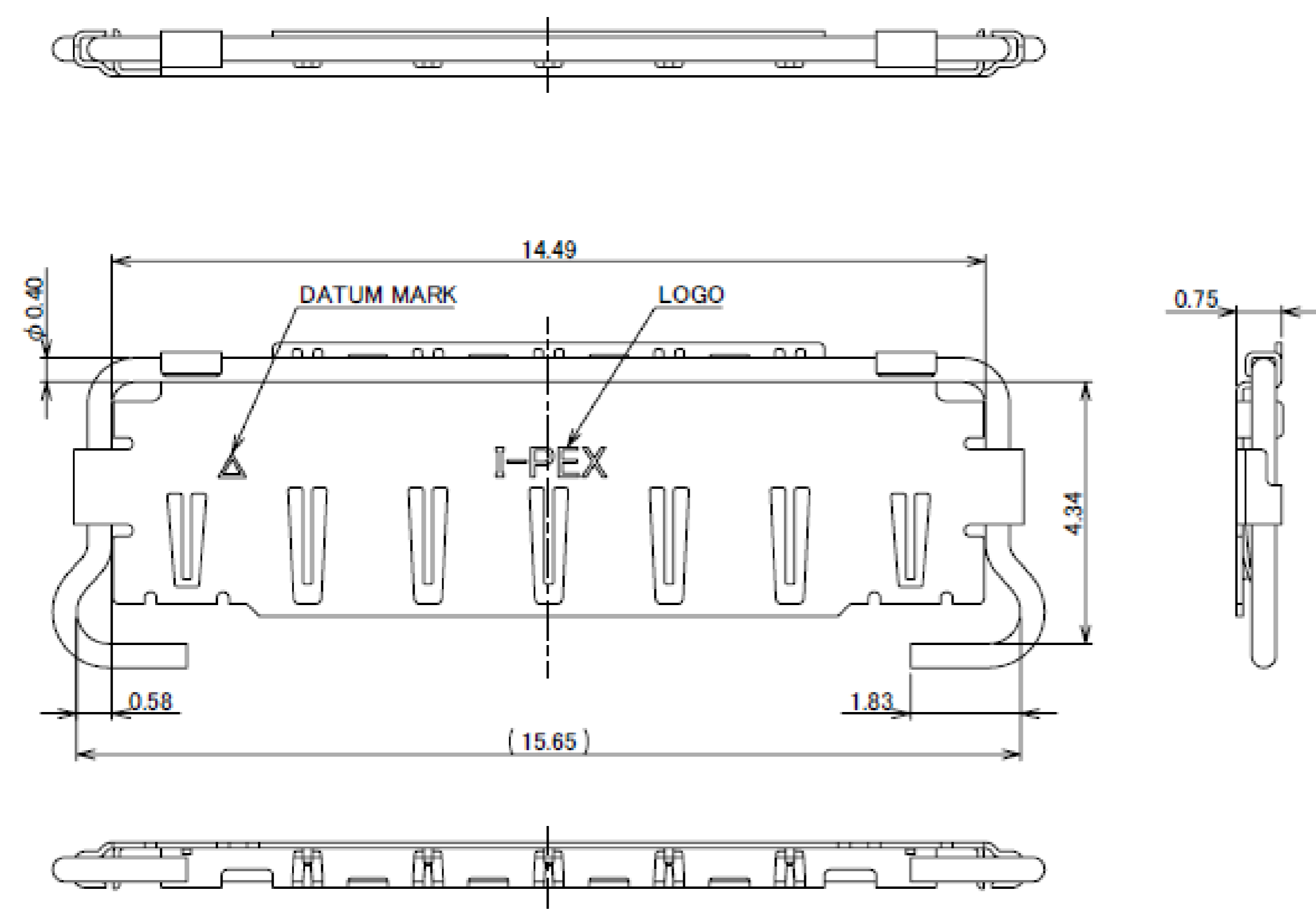


NO.	DISCRIPTION	MATERIAL	FINISH , REMARKS
1	SHELL-A	SUS	PARTIAL Au 0.003 μ m MIN. OVER Ni 1.0 μ m MIN.

Rev.0

Plug Lock Bar Assembly

Recommended P/N	20975-040T-01
PART No.	20975-040T-01

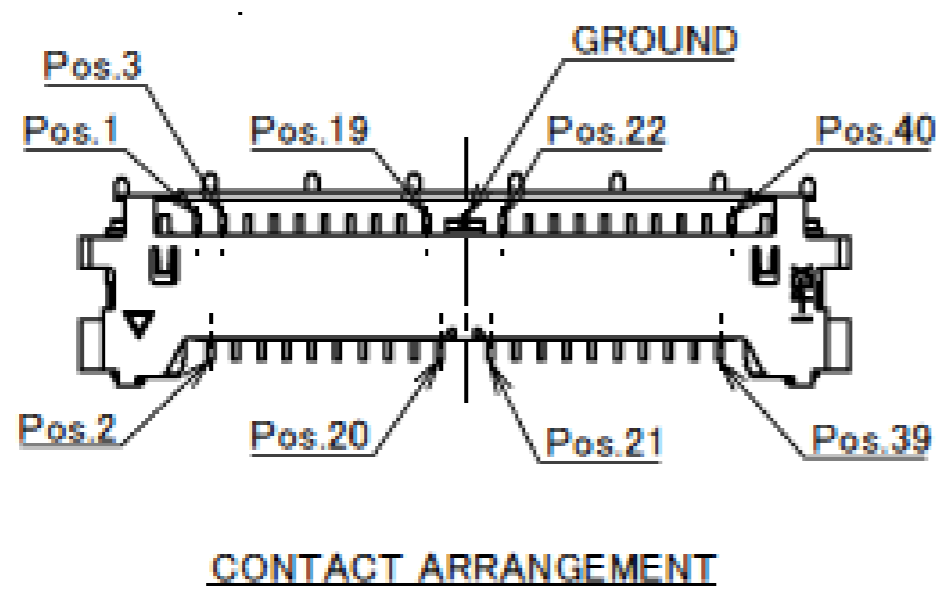
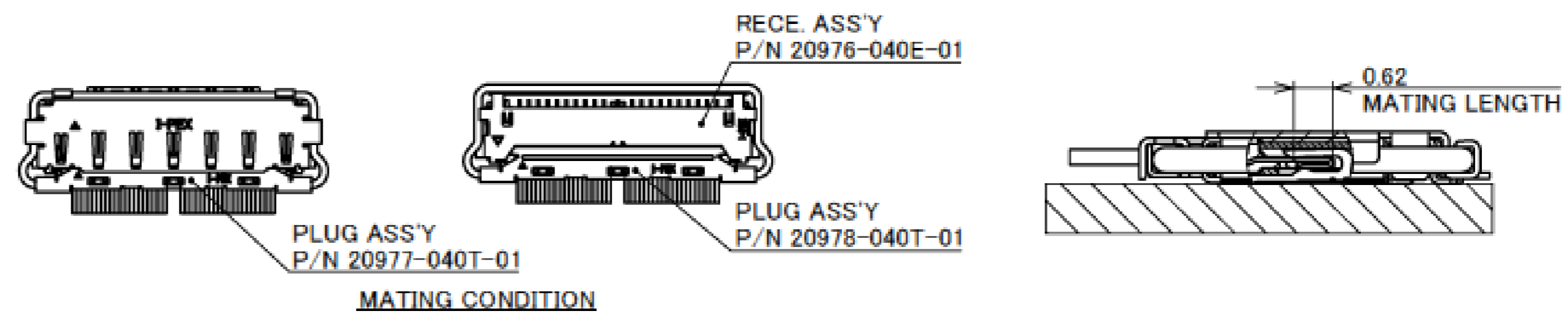
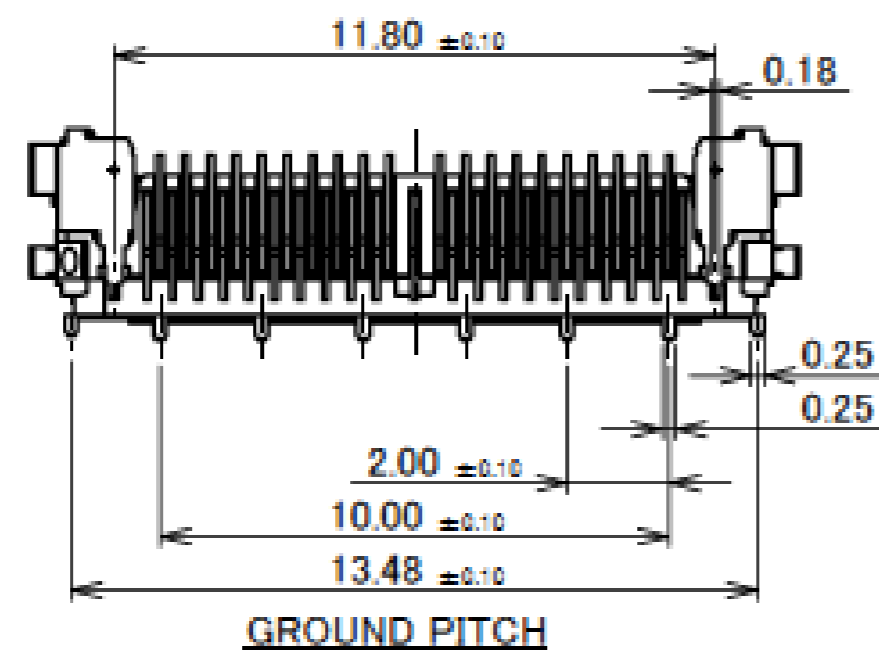
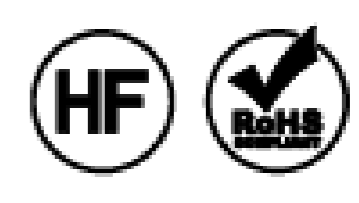
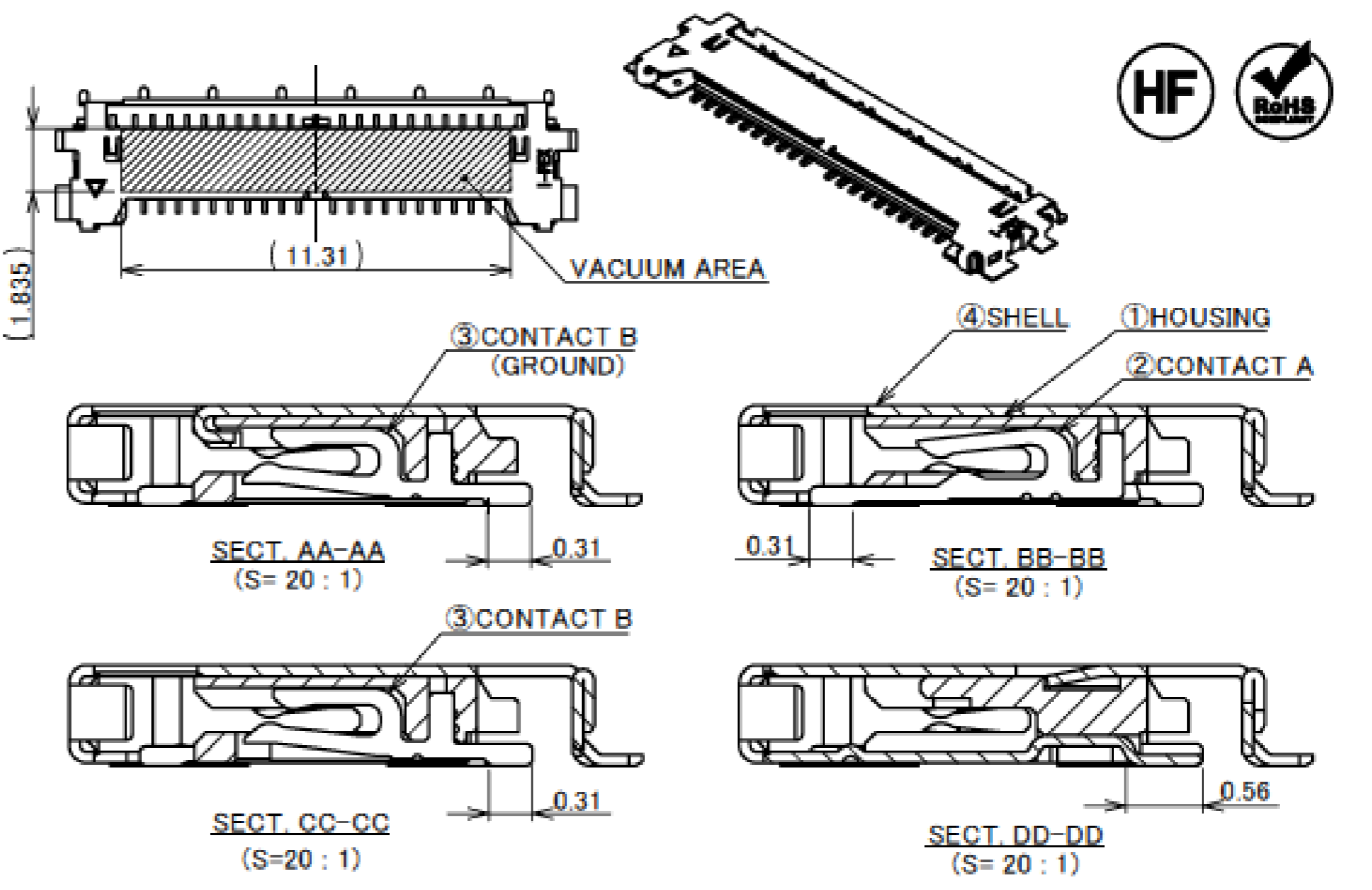
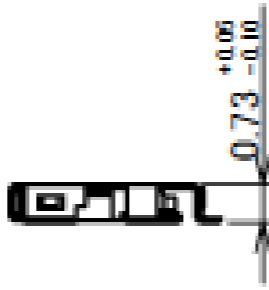
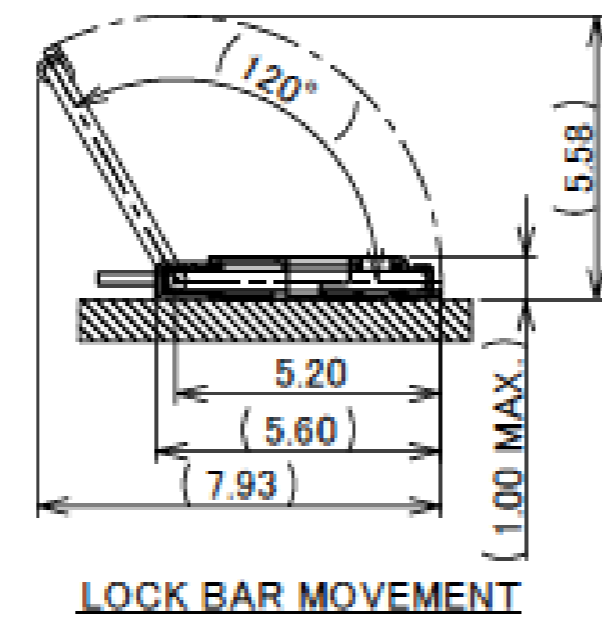
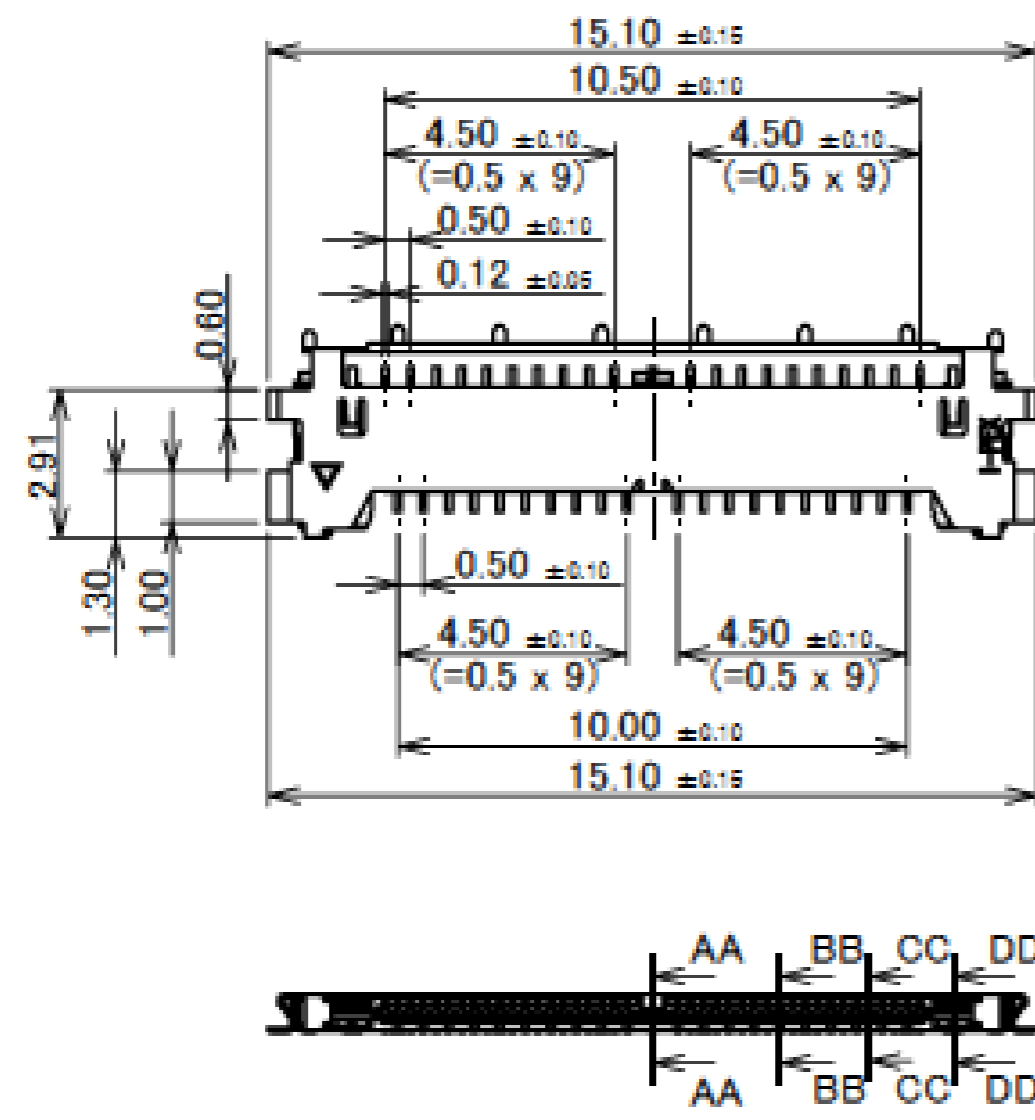


NO.	DISCRIPTION	MATERIAL	FINISH , REMARKS
2	COVER	PHOSPHOR BRONZE	ALL OVER Ni 1.00 μ m MIN.
1	LOCK BAR	SUS $\phi 0.40$	-

Rev.0

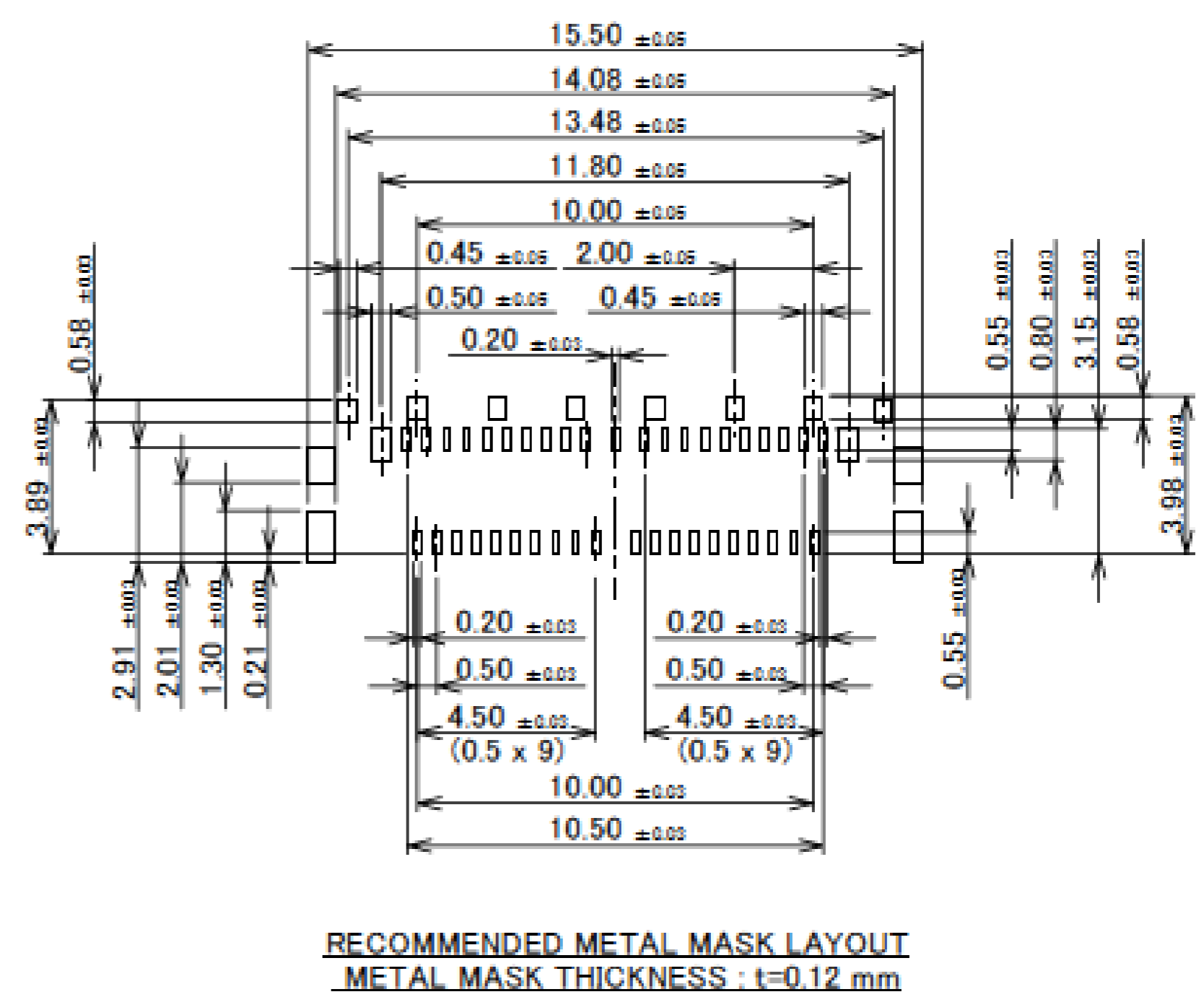
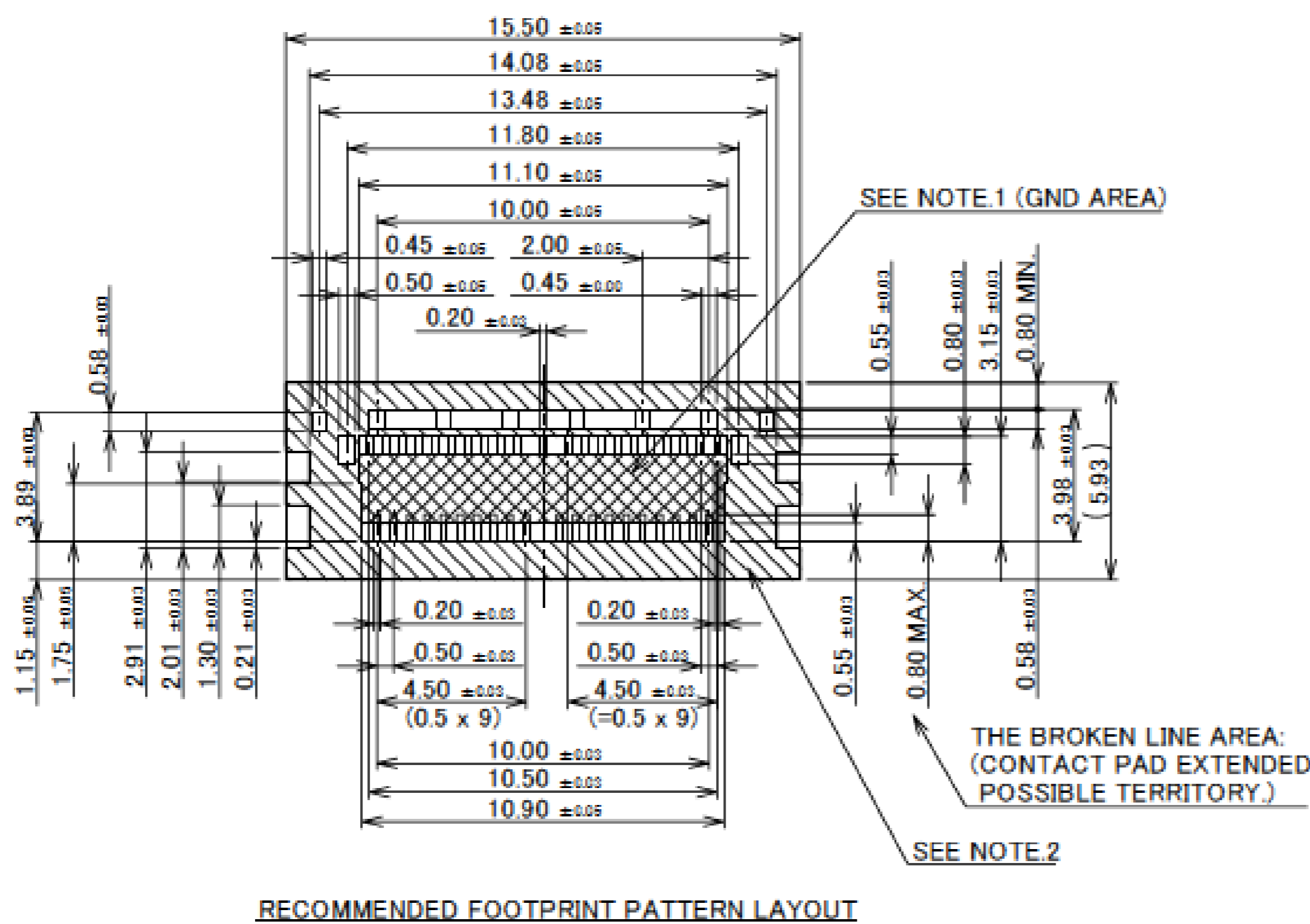
Receptacle Assembly

Recommended P/N	20976-040E-01
PART NO.	Pos.
20976-040E-01	40



NO.	DISCRIPTION	MATERIAL	FINISH , REMARKS
4	SHELL	PHOSHOR BRONZE	PARTIAL Au 0.03 μm MIN. OVER Ni 1.00 μm MIN.
3	CONTACT B	CORSON ALLOY	CONTACT AREA : Au 0.10 μm MIN. OVER Ni 1.00 μm MIN. SOLDERING AREA : Au 0.03 μm MIN. OVER Ni 1.00 μm MIN.
2	CONTACT A	CORSON ALLOY	CONTACT AREA : Au 0.10 μm MIN. OVER Ni 1.00 μm MIN. SOLDERING AREA : Au 0.03 μm MIN. OVER Ni 1.00 μm MIN.
1	HOUSING	LCP	UL94V-0, BLACK

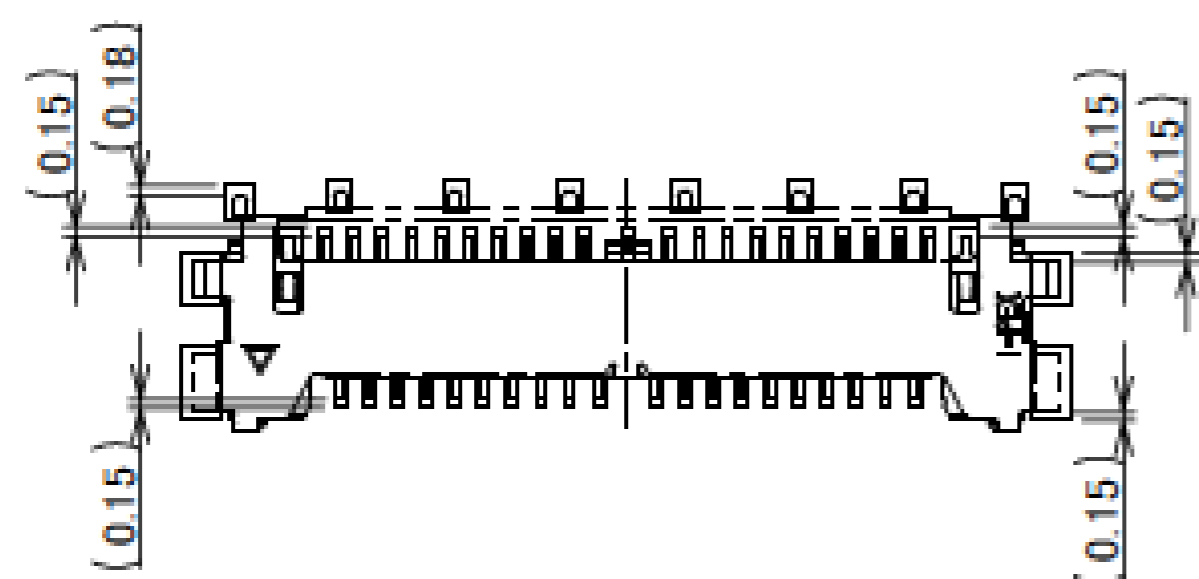
Rev.2



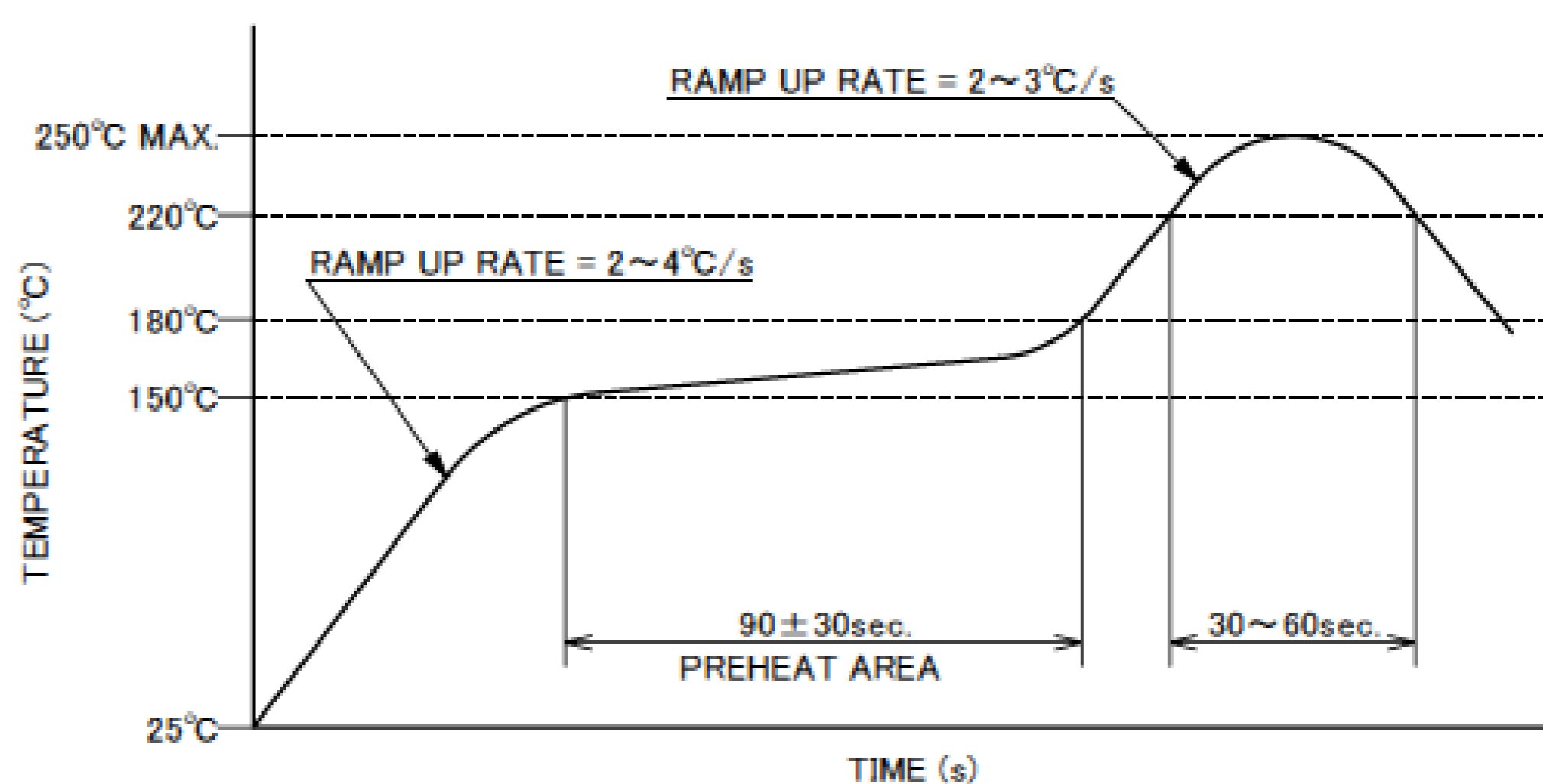
NOTES.
1. SOLDER RESIST MUST BE APPLIED TO THIS AREA
2. DO NOT MOUNT ANOTHER COMPONENTS IN THIS AREA.

Rev.2

Receptacle Assembly



CONNECTOR ON RECOMMENDED FOOTPRINT PATTERN



REFLOW TEMPERATURE PROFILE
SENJU METAL INDUSTRY CO., LTD. : M705-SHF(Sn96.5 Ag3.0 Cu0.5)

Rev.2

ITEMS	SPECIFICATION
APPLICABLE CABLE	MICRO-COAXIAL CABLE : AWG# 46,44 DISCRETE WIRE : AWG# 39
RATING VOLTAGE	100V AC (PER CONTACT PIN)
RATING AMPERAGE (FOR CONTACT)	0.10A AC/DC [AWG#46] PER CONTACT PIN/UP TO 40 CONTACTS 0.15A AC/DC [AWG#44] PER CONTACT PIN/UP TO 40 CONTACTS 0.50A AC/DC [AWG#39] PLUG WITH COVER CABLE ASS'Y (P/N : 20977-040T-01) PER CONTACT PIN/UP TO 8 CONTACTS PLUG WITHOUT COVER CABLE ASS'Y (P/N : 20978-040T-01) PER CONTACT PIN/UP TO 7 CONTACTS ※ TESTING BY A REAL MACHINE IS RECOMMENDED BECAUSE TEMPERATURE RISE MAY AFFECTED BY ACTUAL SITUATION
OPERATING TEMPERATURE	233~358K(-40°C~+85°C) (CONTAINING TEMPERATURE RISE BY CURRENT)
OPERATING HUMIDITY	85% MAX.(NON-CONDENSING)
CONTACT RESISTANCE	INITIAL : 388mohm MAX.(AWG#39) / AFTER TEST : $\triangleleft 40\text{mohm MAX.}$ INITIAL : 1,080mohm MAX.(AWG#44) INITIAL : 1,830mohm MAX.(AWG#46)
GROUND SHELL RESISTANCE	INITIAL : 50mohm MAX. / AFTER TEST : $\triangleleft 40\text{mohm MAX.}$
INSULATION RESISTANCE	INITIAL : 1,000Mohm MIN. / AFTER TEST : 500Mohm MIN.
DIELECTRIC WITHSTANDING VOLTAGE	AC250V 1min
DURABILITY	20 CYCLES
MATING FORCE (INITIAL / 20 CYCLES)	40P : 30.0N MAX.
UNMATING FORCE (INITIAL / 20 CYCLES)	40P : 4.0N MIN.
CABLE RETENTION FORCE	40P : 19.60N MIN.
COPLANARITY	0.10 MAX.
PRODUCT SPECIFICATION	PRS-2403
TEST REPORT	TR-17063
PACKING STANDARD	PST-17126
INSTRUCTION MANUAL	HIM-17035 (WHEN PLUG WITH COVER CABLE ASS'Y IS USED) HIM-17040 (WHEN PLUG WITHOUT COVER CABLE ASS'Y IS USED)
APPEARANCE CRITERIA No.	QLS-A***


Rev.2

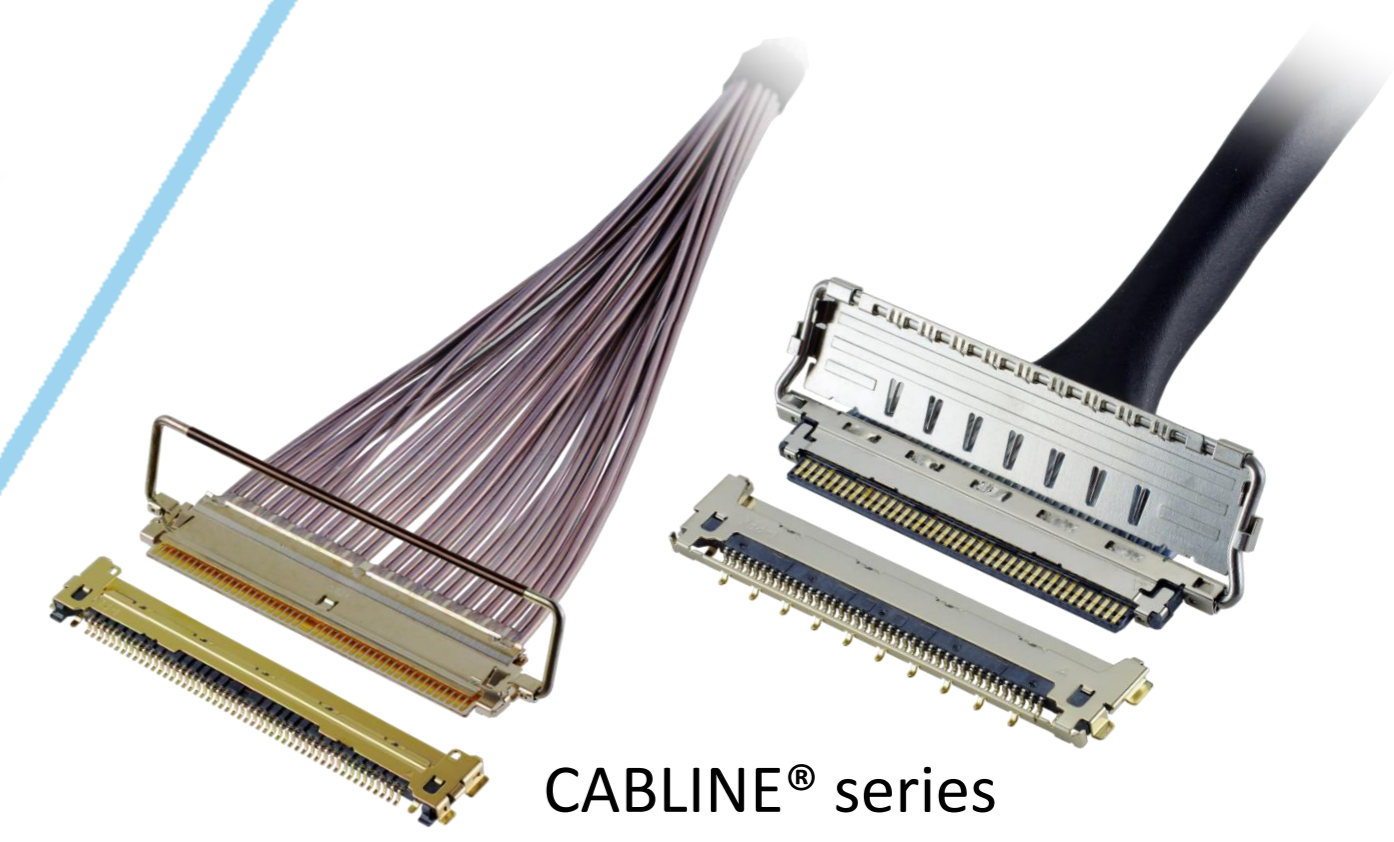
Custom Connectors Available

 RF Connector

MHF® series



 CABLINE® series
Micro-coaxial/Twinax/
Discrete Wire Connector



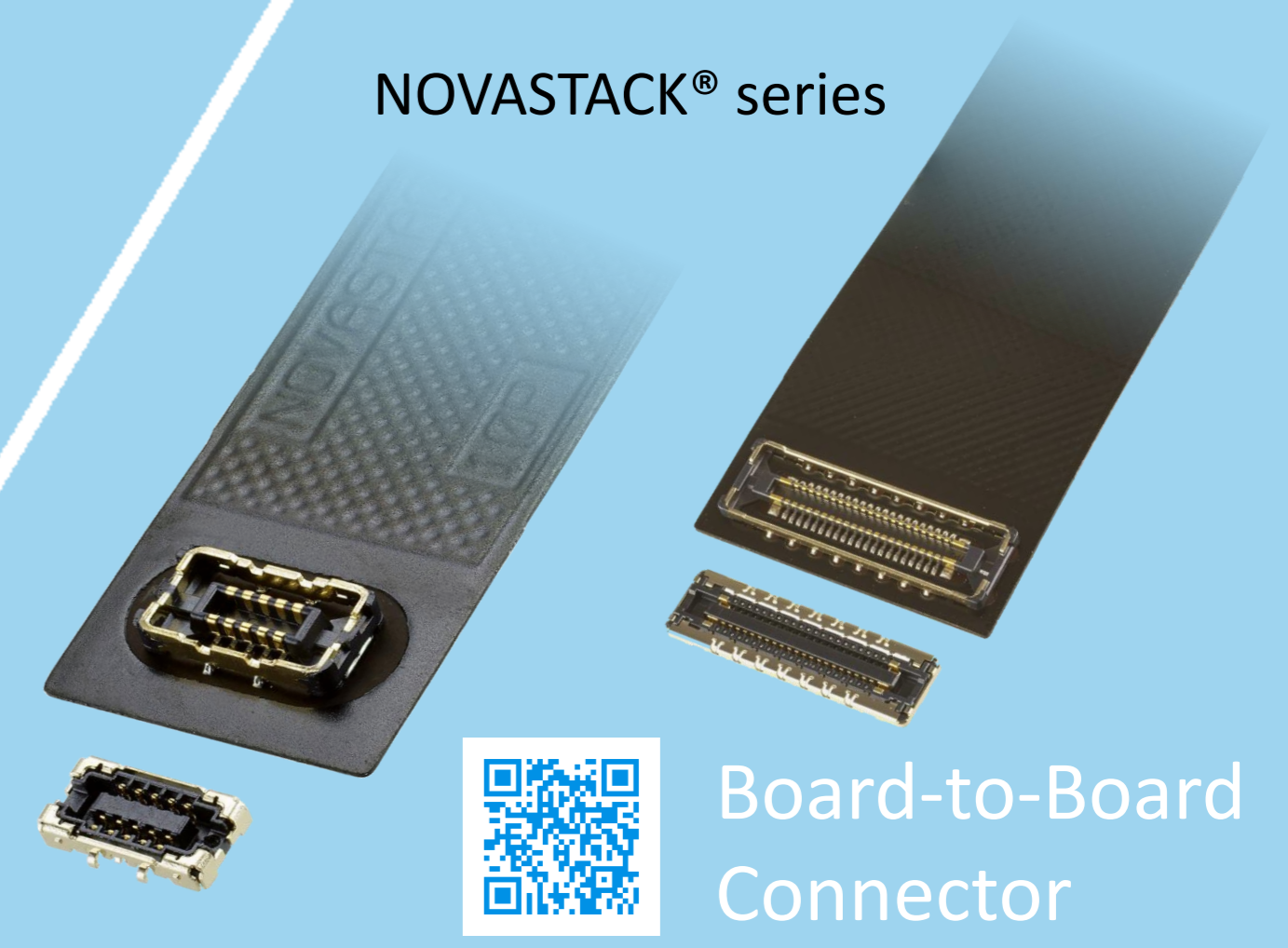
 Optical Module

LIGHTPASS® series



NOVASTACK® series

 Board-to-Board Connector



 Power Connector/
Terminal

AP series

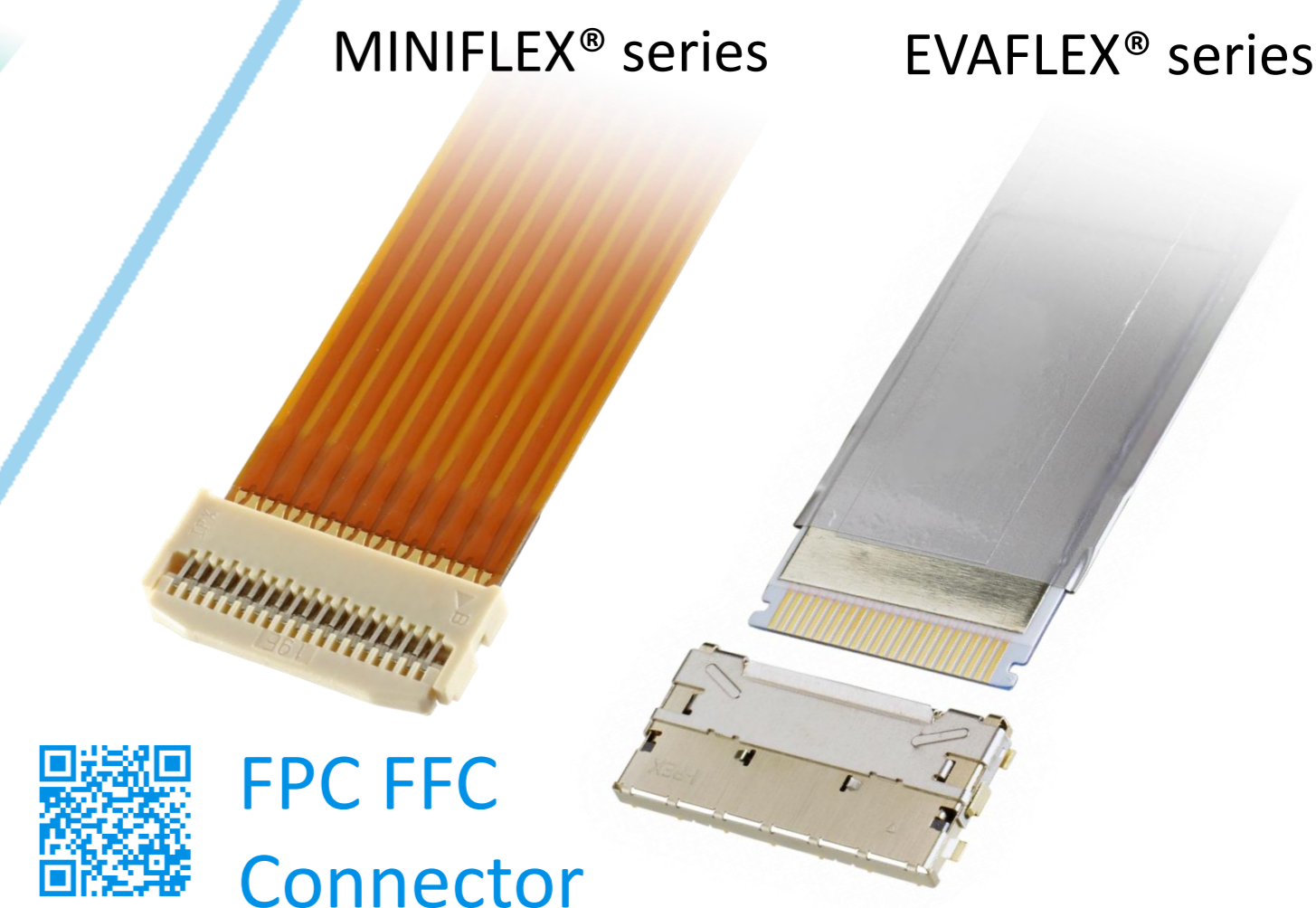
ISH® series



MINIFLEX® series

EVAFLEX® series

 FPC FFC Connector

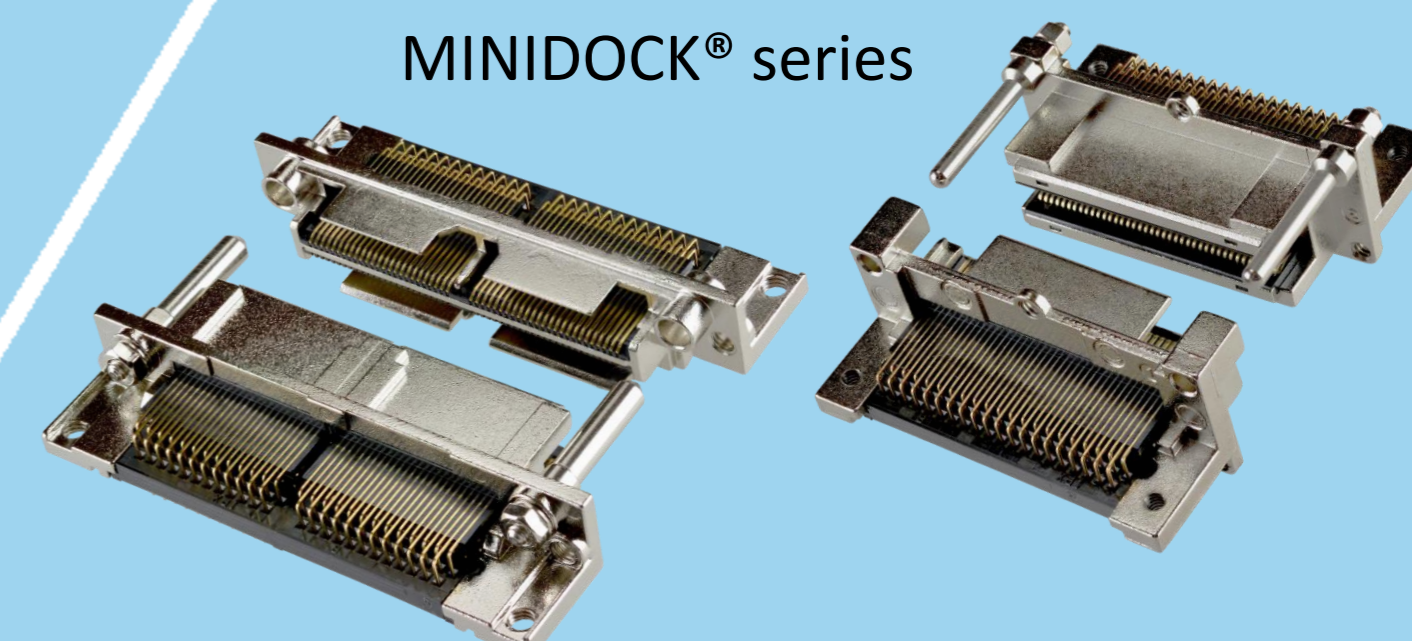


Inquiry



MINIDOCK® series

 I/O Connector



I-PEX, MHF, CABLINE, LIGHTPASS, NOVASTACK, ISH, IARPB, MINIFLEX, EVAFLEX, MINIDOCKS and ZenShield are registered trademarks of I-PEX Inc. Please note that the contents in the catalog might be changed without prior notification. I-PEX Inc. assumes no responsibility for any inaccuracies or obligation to update information on these documents. Please be sure to read and understand the latest "Precautions for Use" and "Instruction Manual" before you use our products. We shall not be responsible for any defects, damages or troubles in case you use our products without following the precautions for use. Please feel free to contact our sales representatives when you use our products for any applications that require very high reliability and safety, or that relate to human life (ex. nuclear power control, aerospace, transportation, medical equipment, safety equipment etc.).

Contact your sales representative or more detailed information.

www.i-pex.com



I-PEX

© I-PEX Inc. 2024
All rights reserved