

CABLINE®-CX II Without Cover

较窄间距 (0.25 mm pitch), 较低嵌合高度(嵌合高度 = 0.73 mm), 机械锁扣, 带屏蔽, 多点接地设计, 水平插拔款的极细同轴线连接器

Product Specifications:

Mating type	Horizontal	
Board Pitch (mm)	0.5	
Wiping Length (mm)	0.54	
Mated size (mm)	Height	0.73 +0.05, -0.10
	Width	Formula: 6.45 + (0.25*?p)
	Depth	5.21
Pin Counts	Range	Up to 40
	Available	40

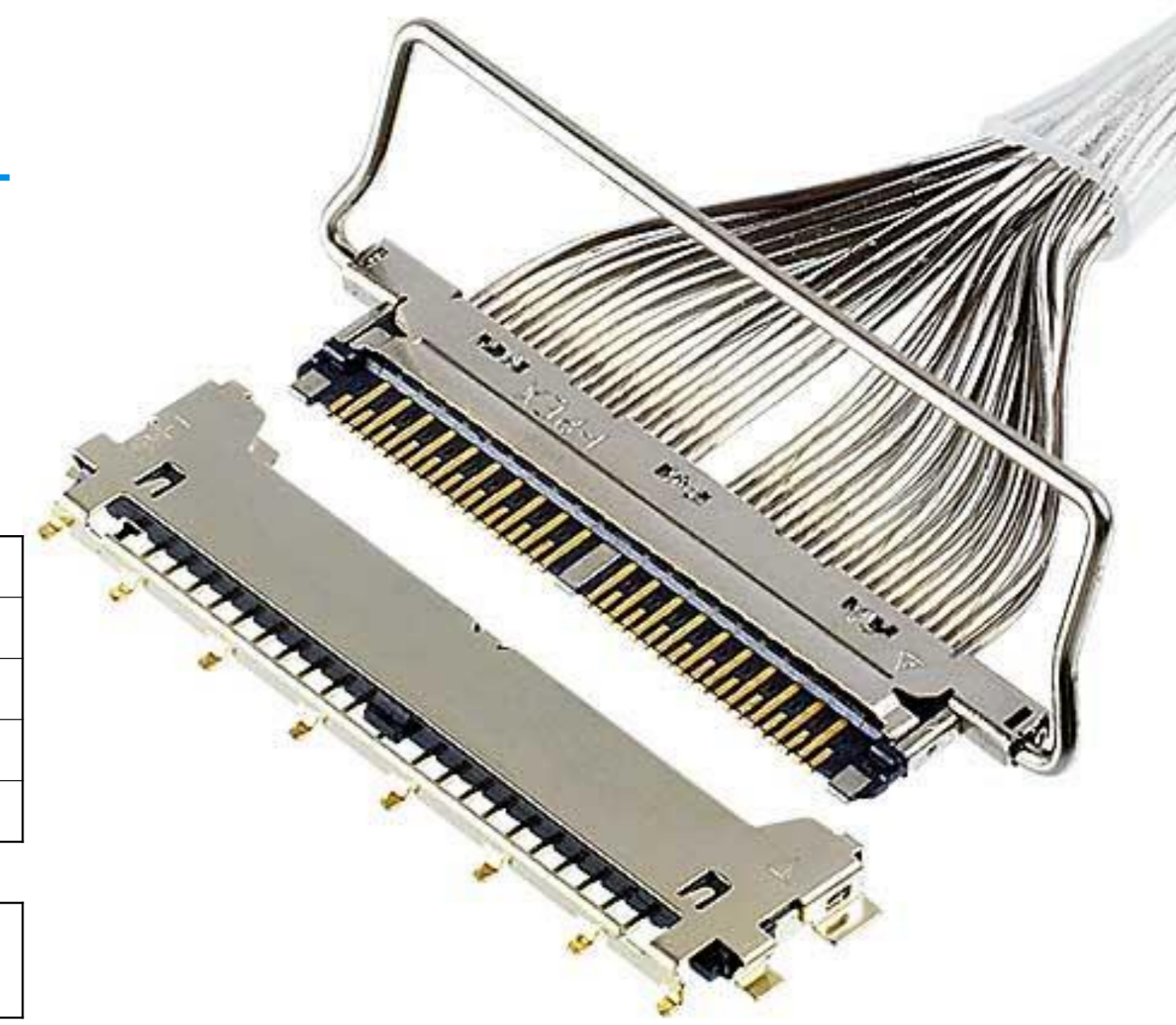
Applicable Cable Size:

Maximum O.D. (mm)	0.25
Micro-Coaxial for Signal (AWG)	45 ohm: #44 or smaller
	50 ohm: #46 or smaller
Twinax (AWG)	-
Discrete (AWG)	#39 or smaller

Applicable Standards (Reference Only):

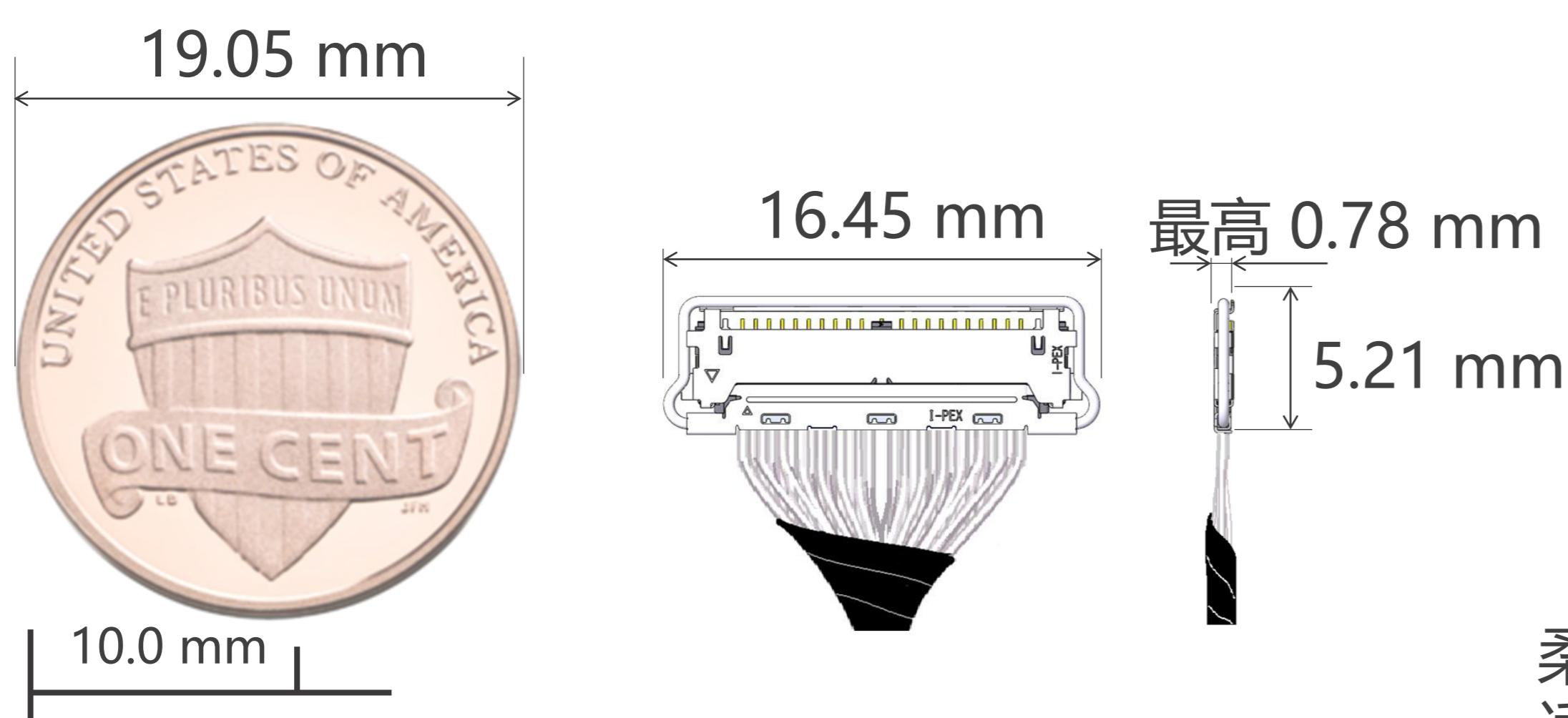
USB 3.1 Gen 1 (5 Gbps), V-By-One HS 1.4 (4 Gbps), HDMI 1.3 (3.4 Gbps) Gbps

*如您需要了解未列出或不在范围内的Pin数, 请咨询我们。
*CABLINE®-CX II 带 EMI 屏蔽罩的款式(组合高度最高 1.0 mm) 也可提供。



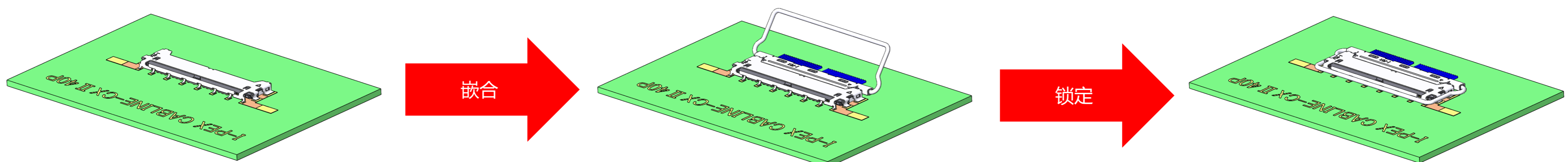
空间有限的小型电子产品的理想选择

CABLINE-CX II 40Pin 连接器的大小比一分钱硬币还小。
组合高度: 最高 0.78mm



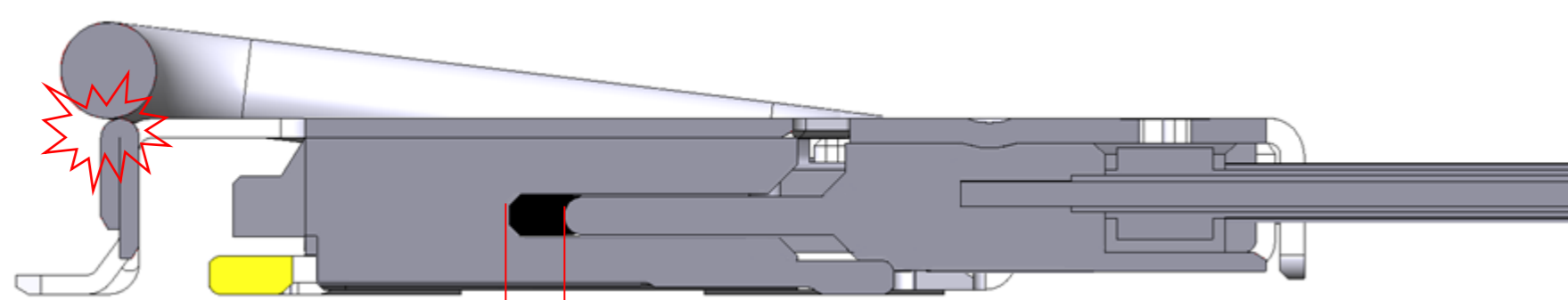
柔软的极细同轴线束
适合用于具有转轴类产品的应用

可选机械锁扣, 可以防止连接器不完全插入或者连接器的脱落

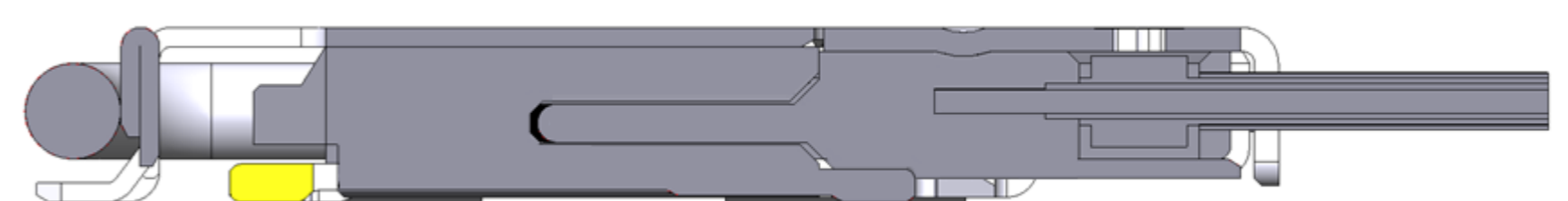


只有当公座完全和母座嵌合时, 机械锁扣才能锁上。

干涉

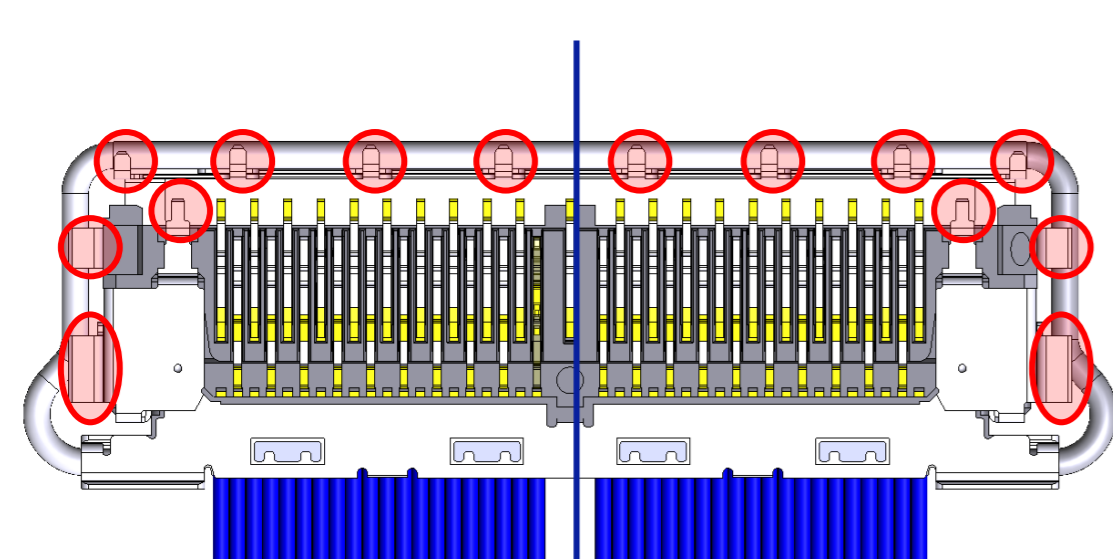


半嵌合

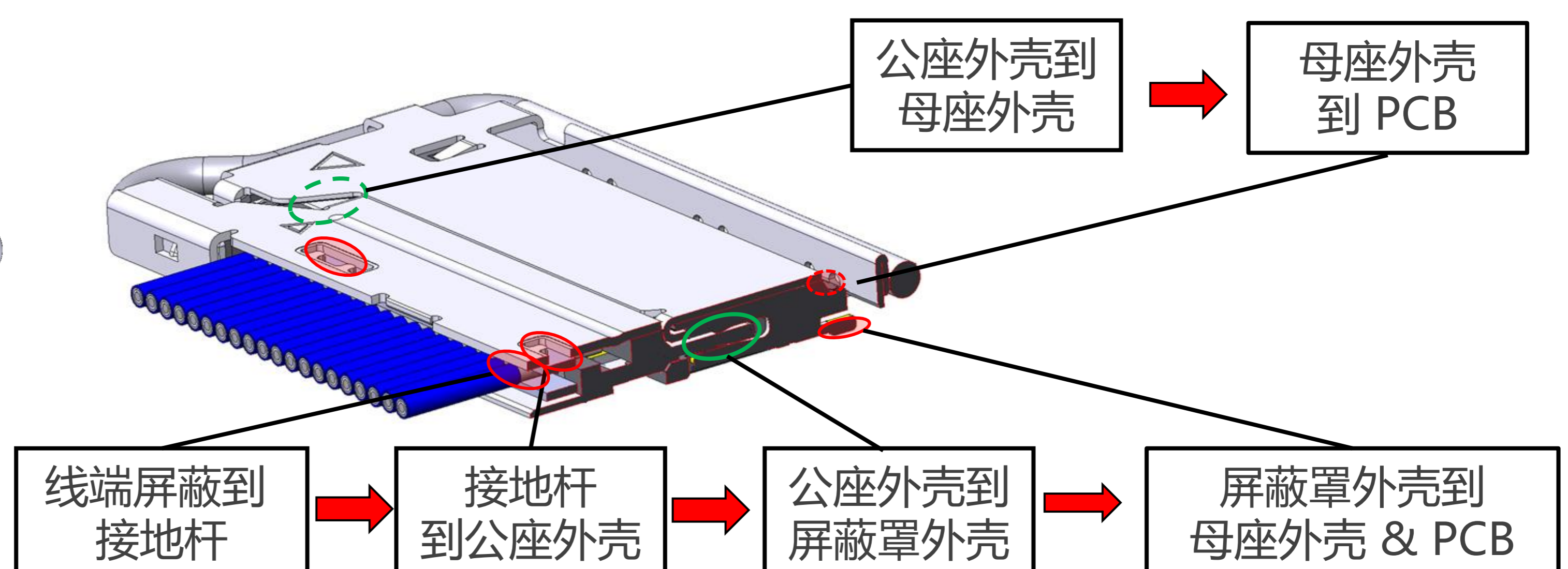


完全嵌合

EMI 屏蔽和多点接地设计

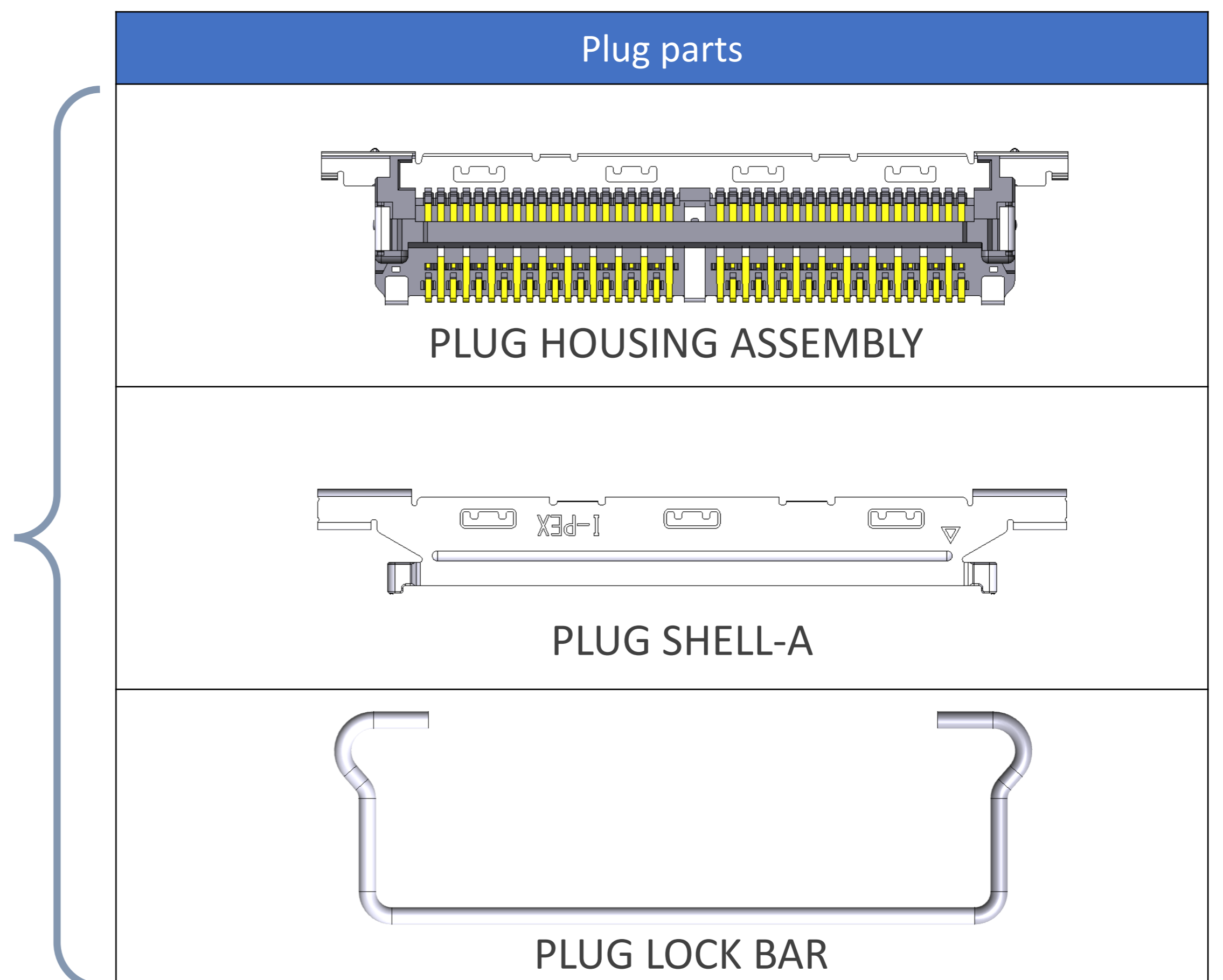
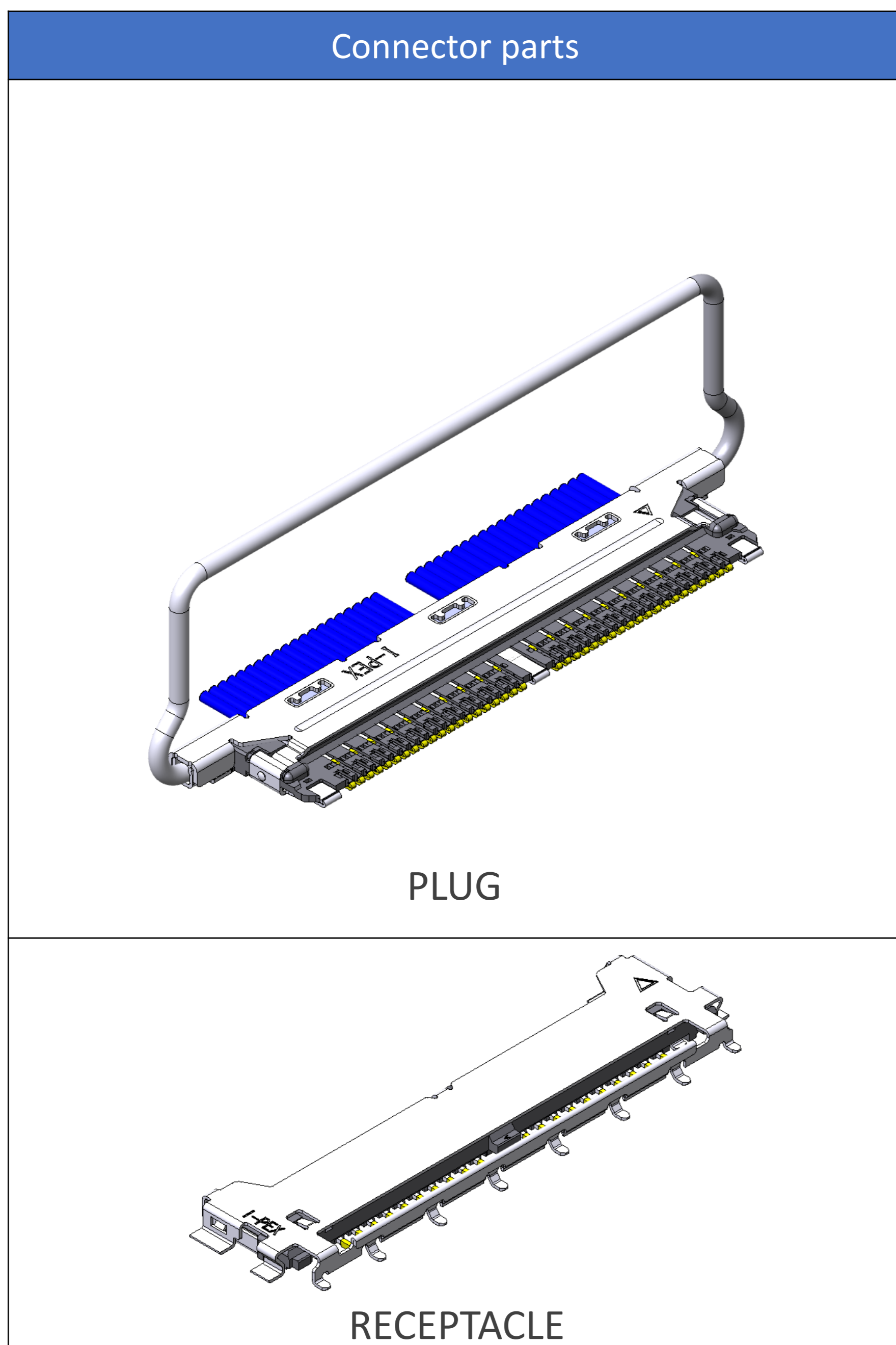


底面图



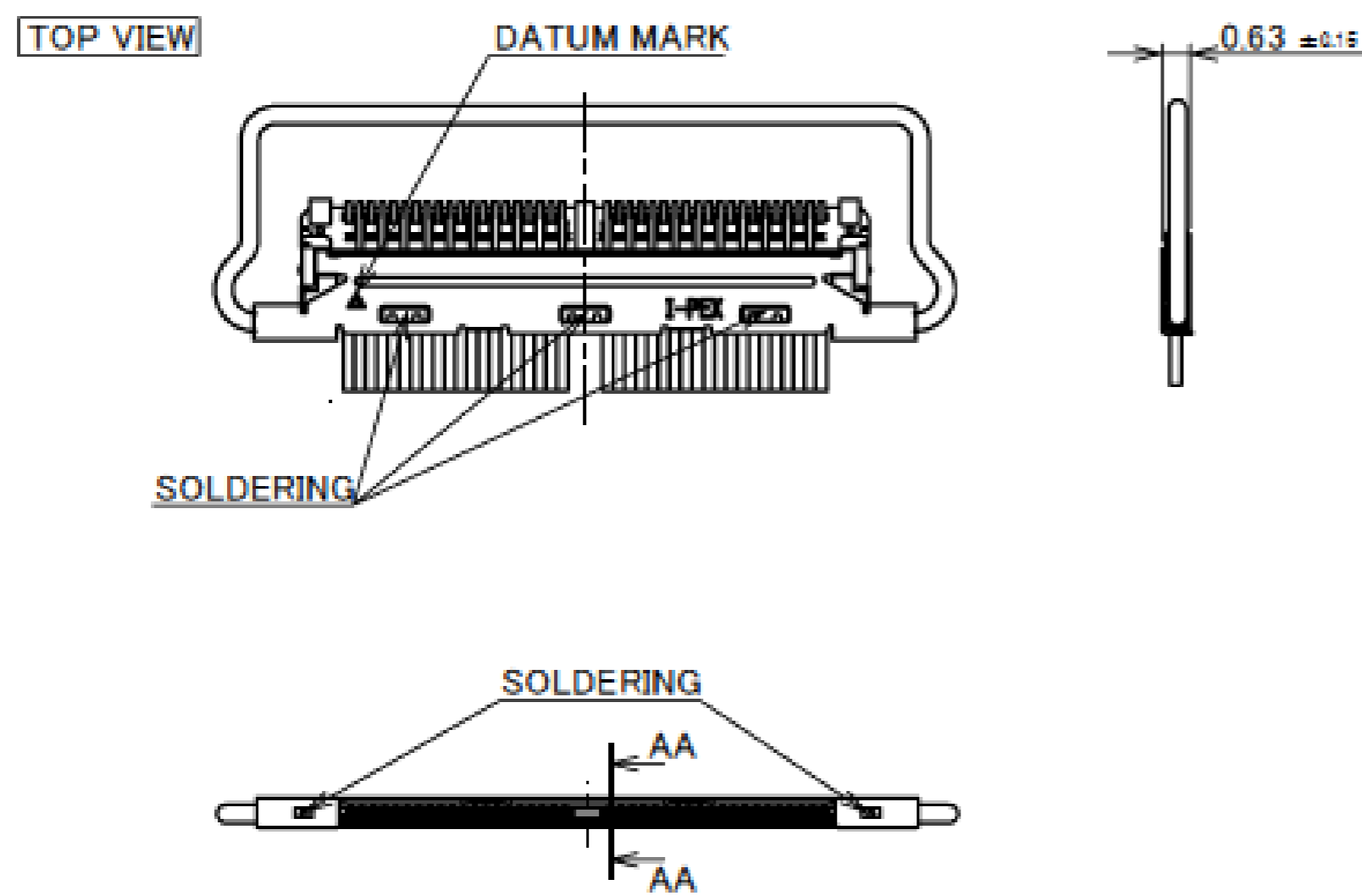
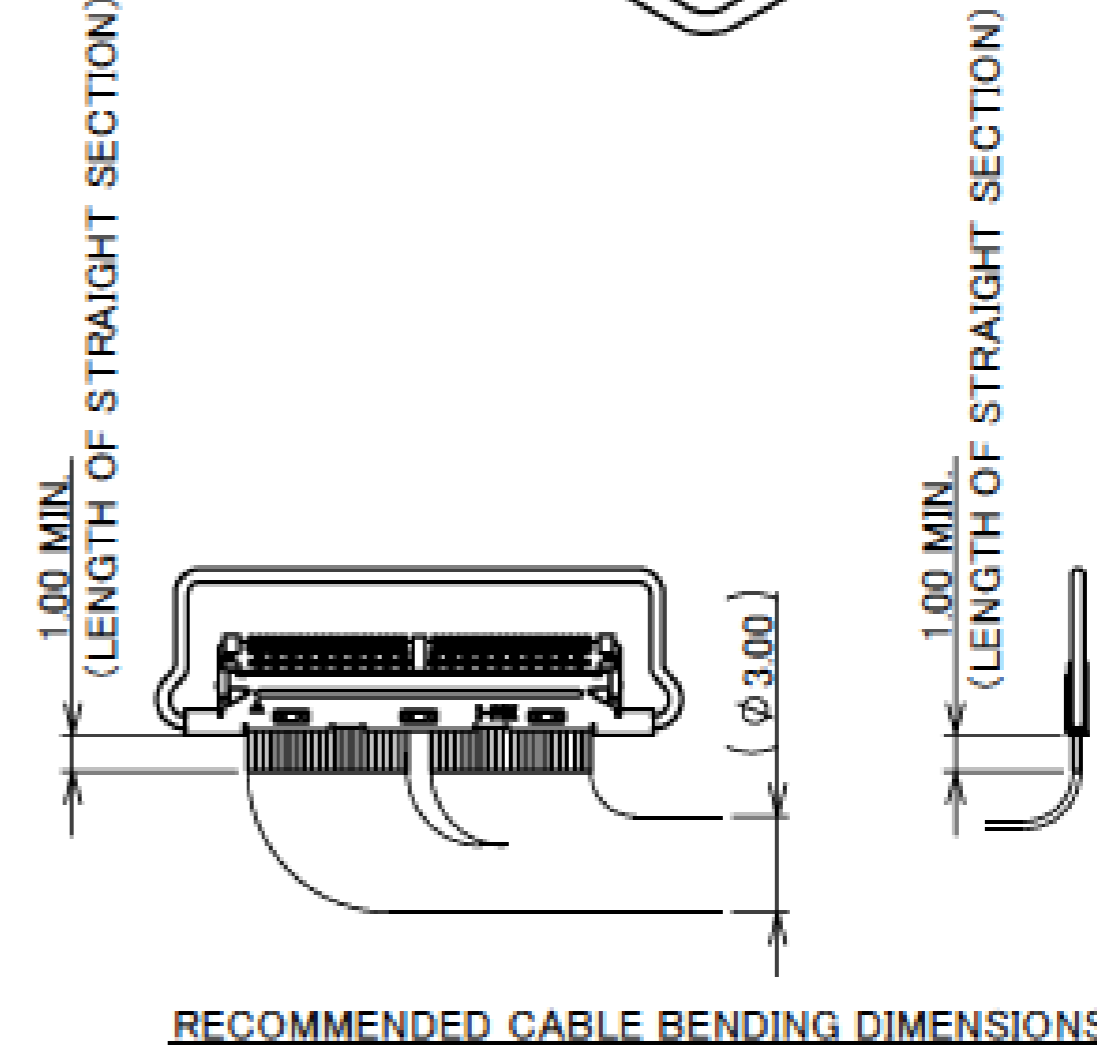
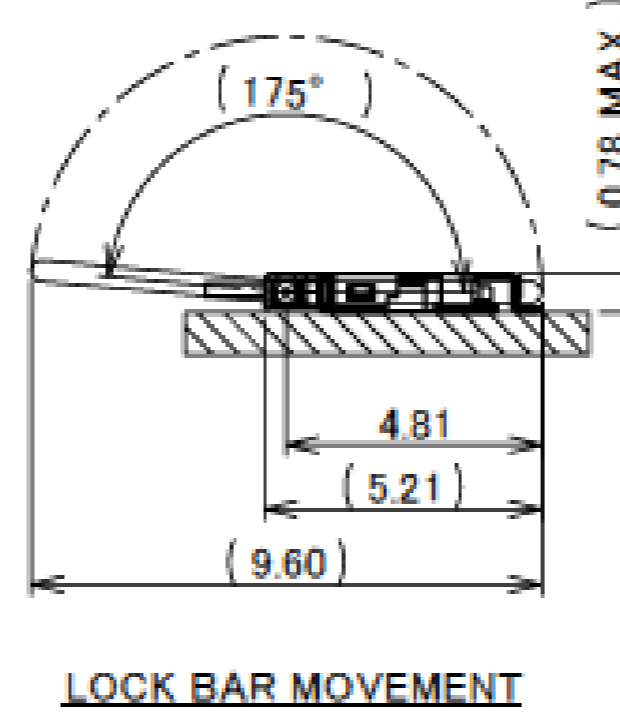
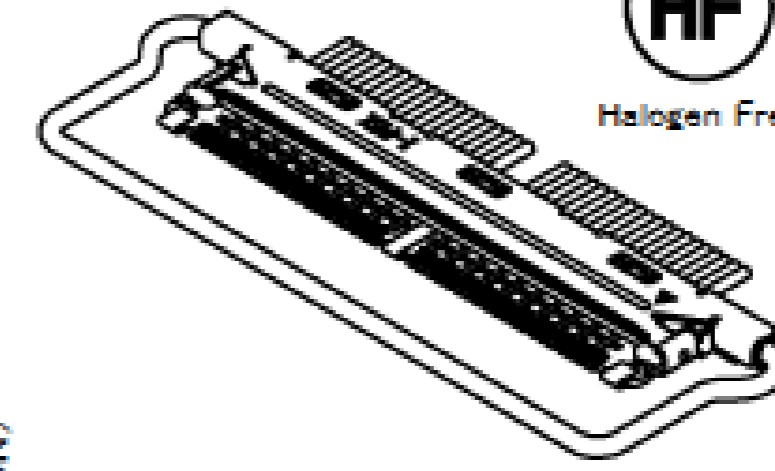
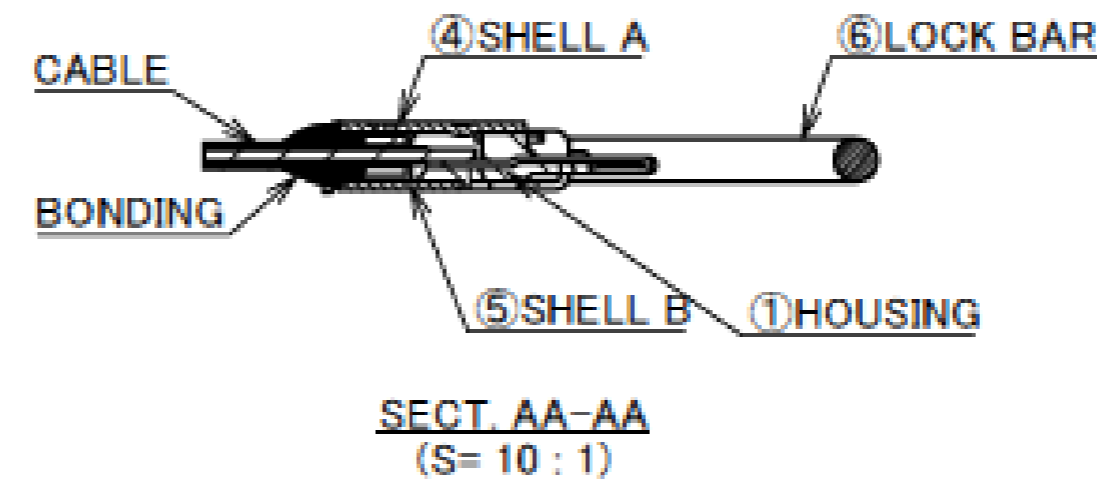
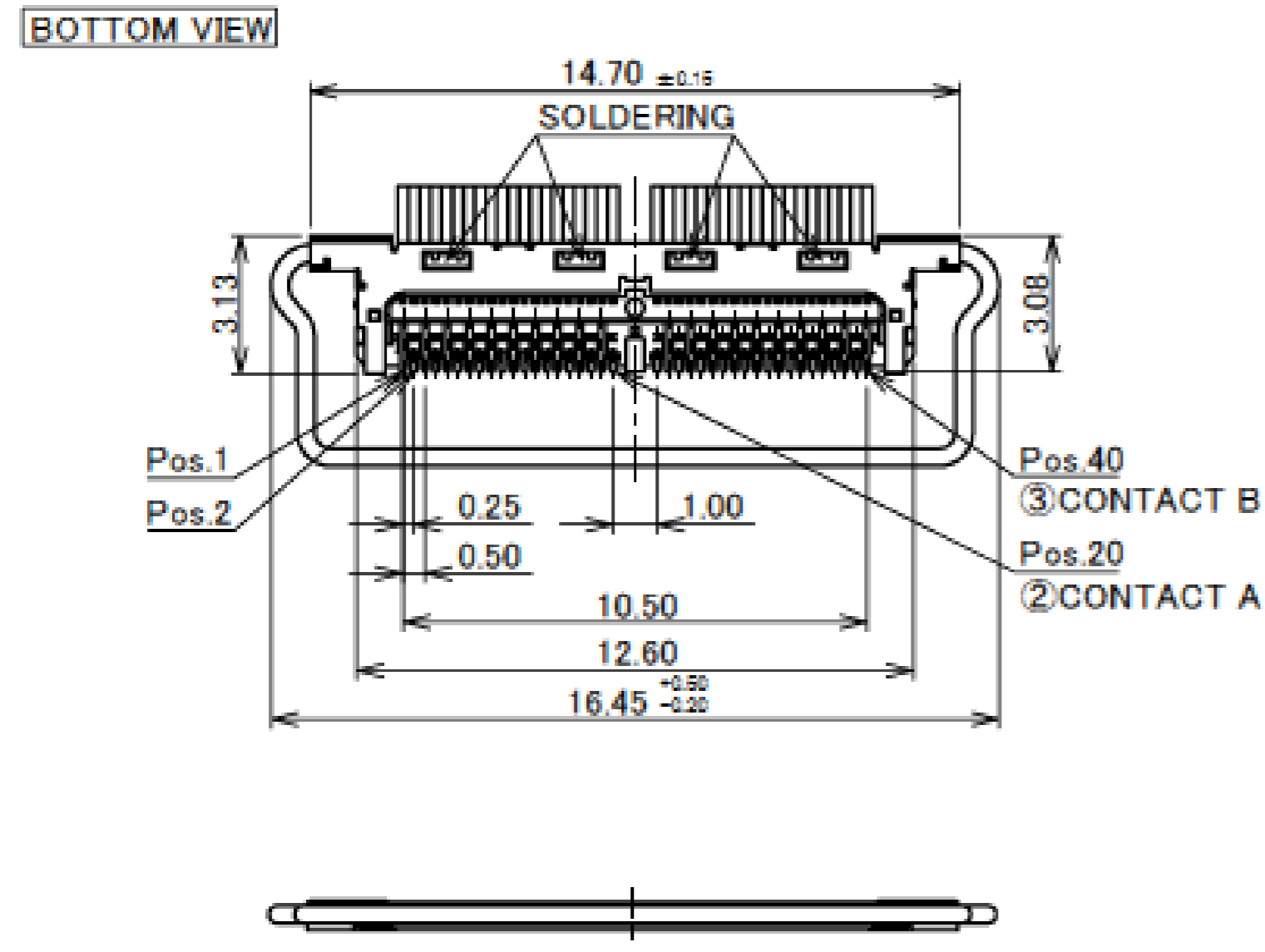
Component Parts Details

Component Parts



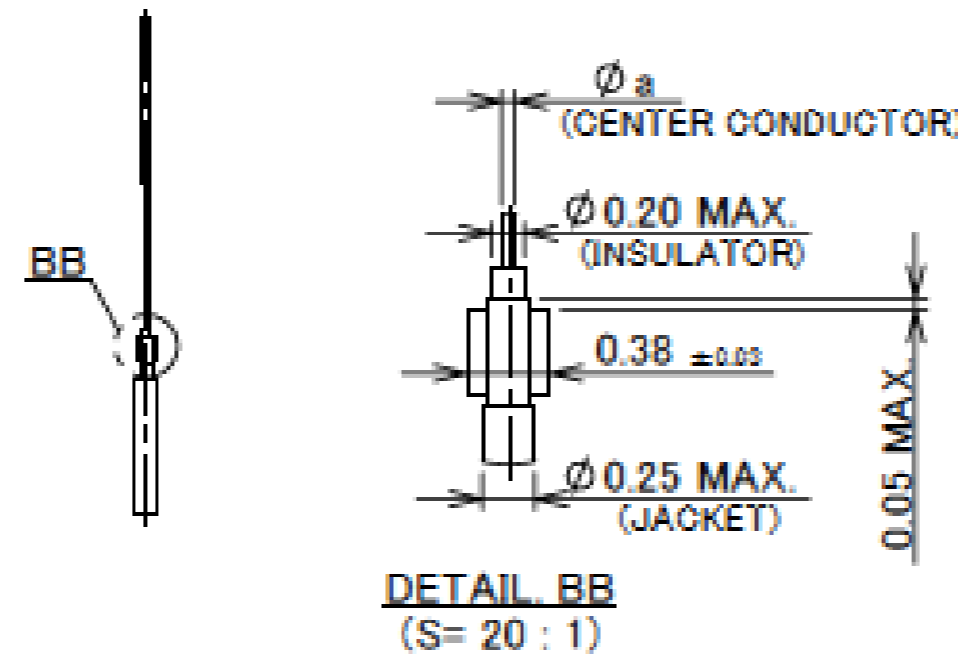
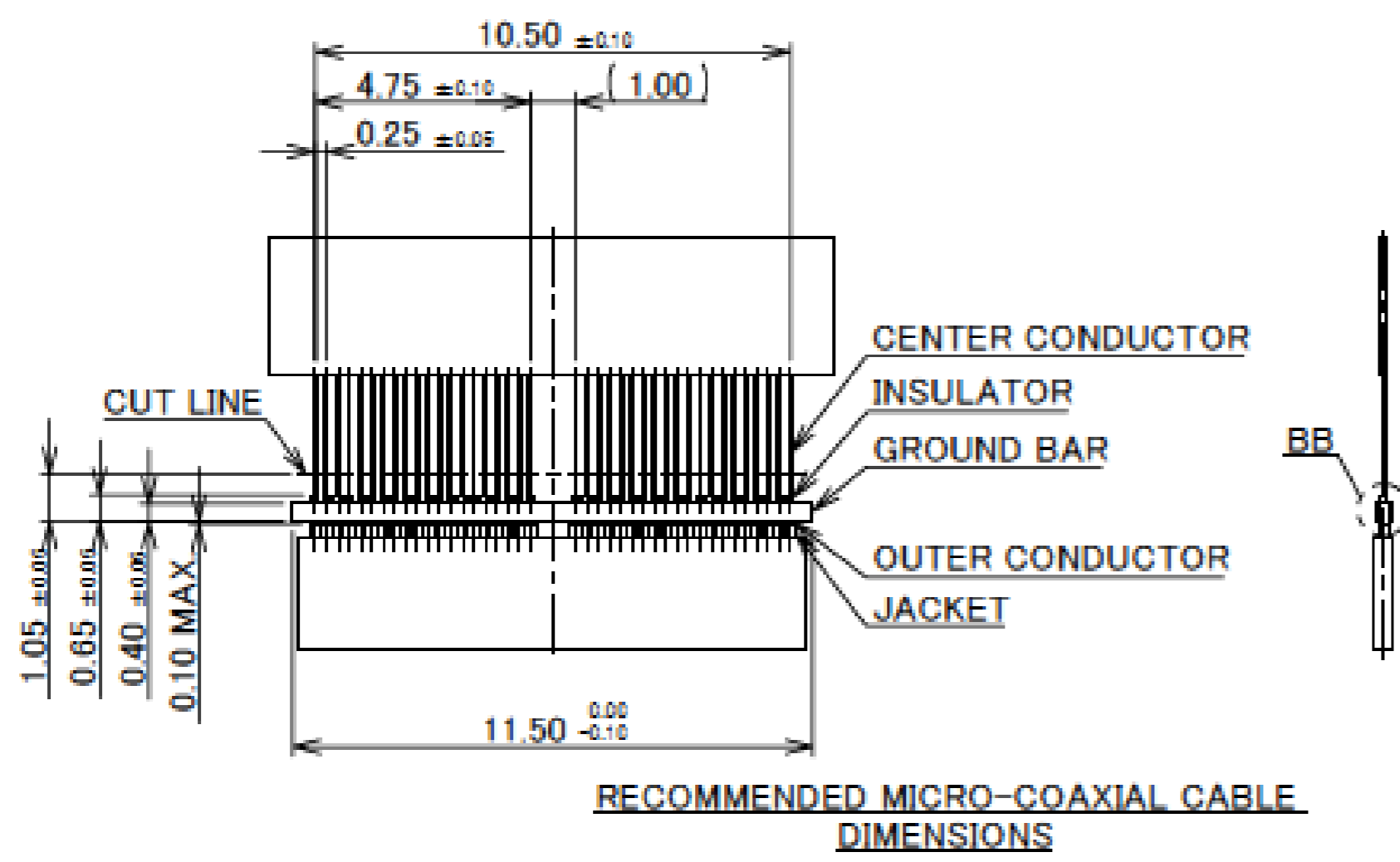
Plug for Cable Assembly

Recommended P/N		20978-040T-01
PART NO.	Pos.	
20978-040T-01	40	



NO.	DISCRIPTION	MATERIAL	FINISH , REMARKS
6	LOCK BAR	SUS	-
5	SHELL B	SUS	PARTIAL Au 0.003 μm MIN. OVER Ni 1.00 μm MIN.
4	SHELL A	SUS	PARTIAL Au 0.003 μm MIN. OVER Ni 1.00 μm MIN.
3	CONTACT B	CORSON ALLOY	CONTACT AREA : Au 0.25 μm MIN. OVER Ni 2.00 μm MIN. SOLDERING AREA : Au 0.03 μm MIN. OVER Ni 1.00 μm MIN.
2	CONTACT A	CORSON ALLOY	CONTACT AREA : Au 0.25 μm MIN. OVER Ni 2.00 μm MIN. SOLDERING AREA : Au 0.03 μm MIN. OVER Ni 1.00 μm MIN.
1	HOUSING	LCP	UL94V-0, BLACK

Rev.2



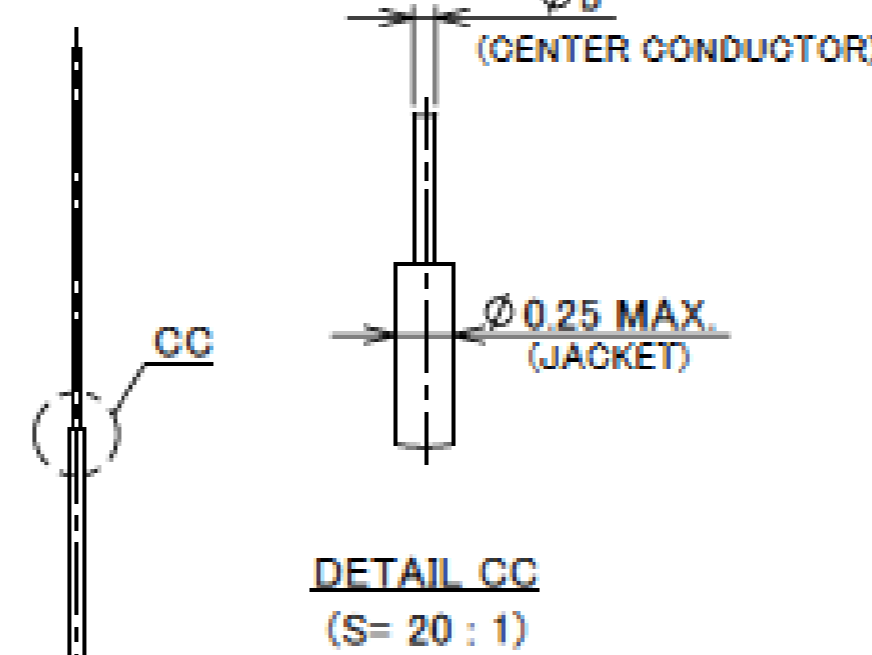
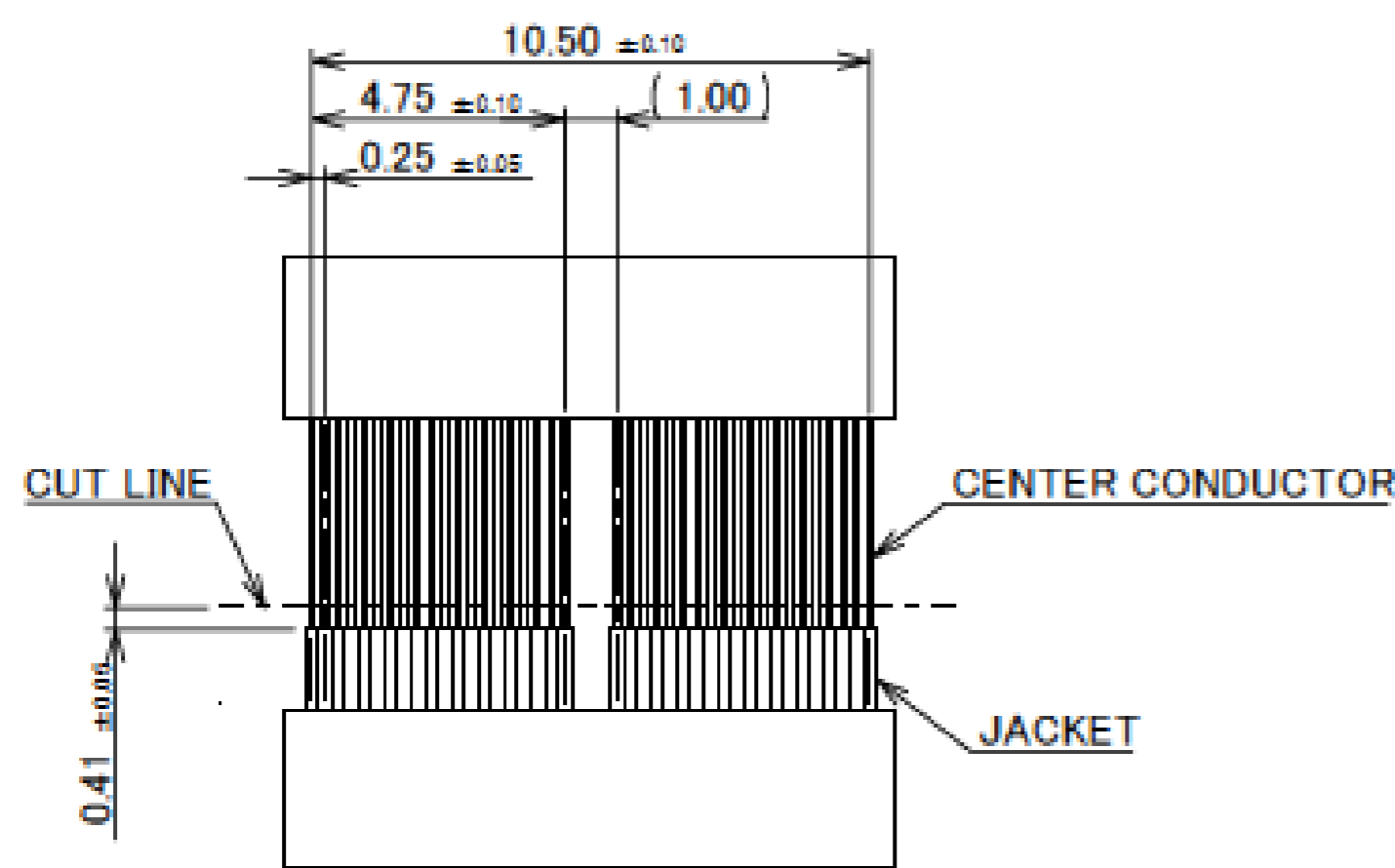
CHARACTERISTIC IMPEDANCE MATCHING MICRO-COAXIAL CABLE

	a
#44	0.063
#46	0.048

CHARACTERISTIC IMPEDANCE UN-MATCHING MICRO-COAXIAL CABLE

	a
#39	0.102

MICRO-COAXIAL CABLE #39 : NOT RECOMMENDED FOR HIGH SPEED SIGNAL TRANSFER



DISCRETE WIRE DIMENSION

	b
#39	0.102

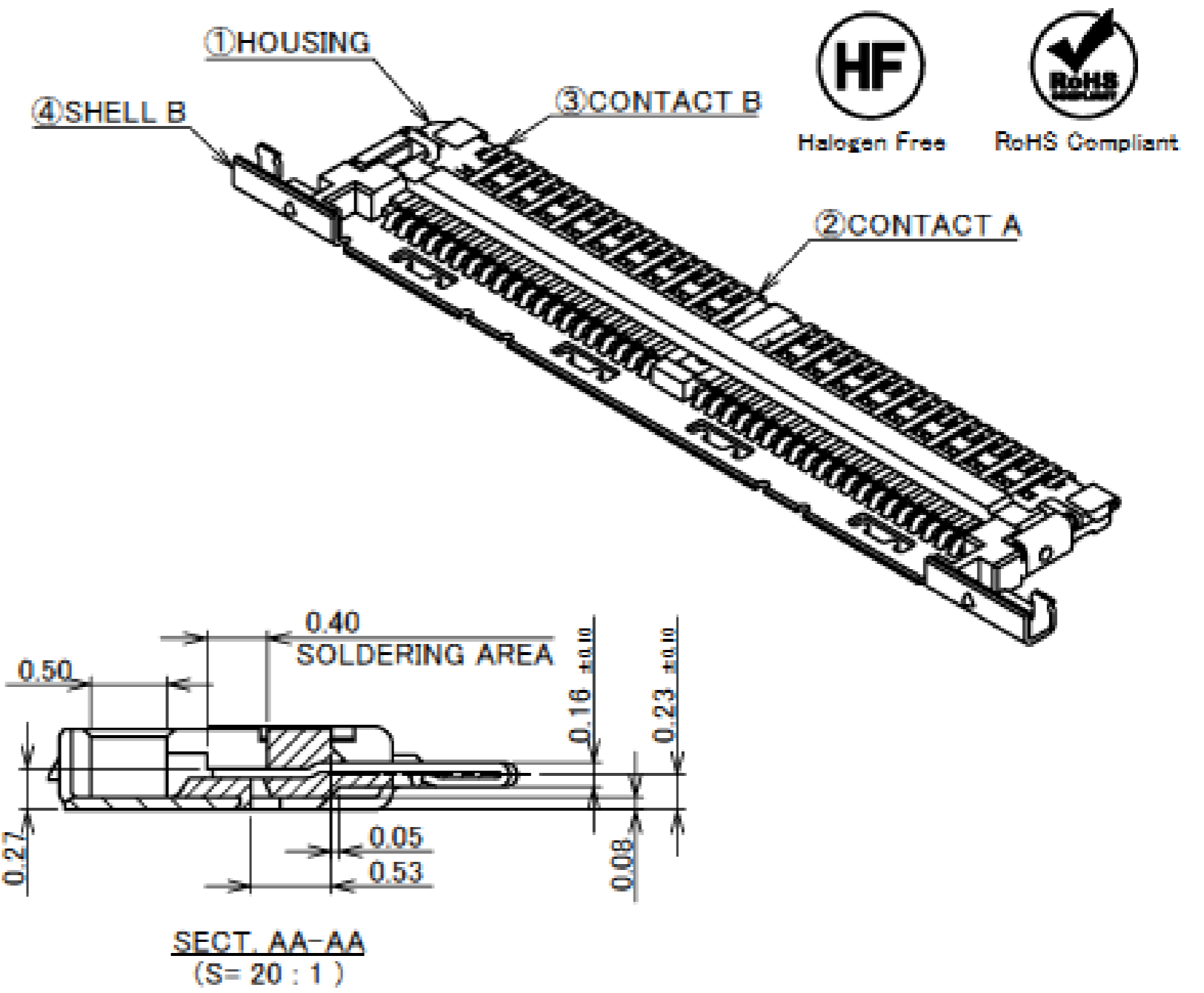
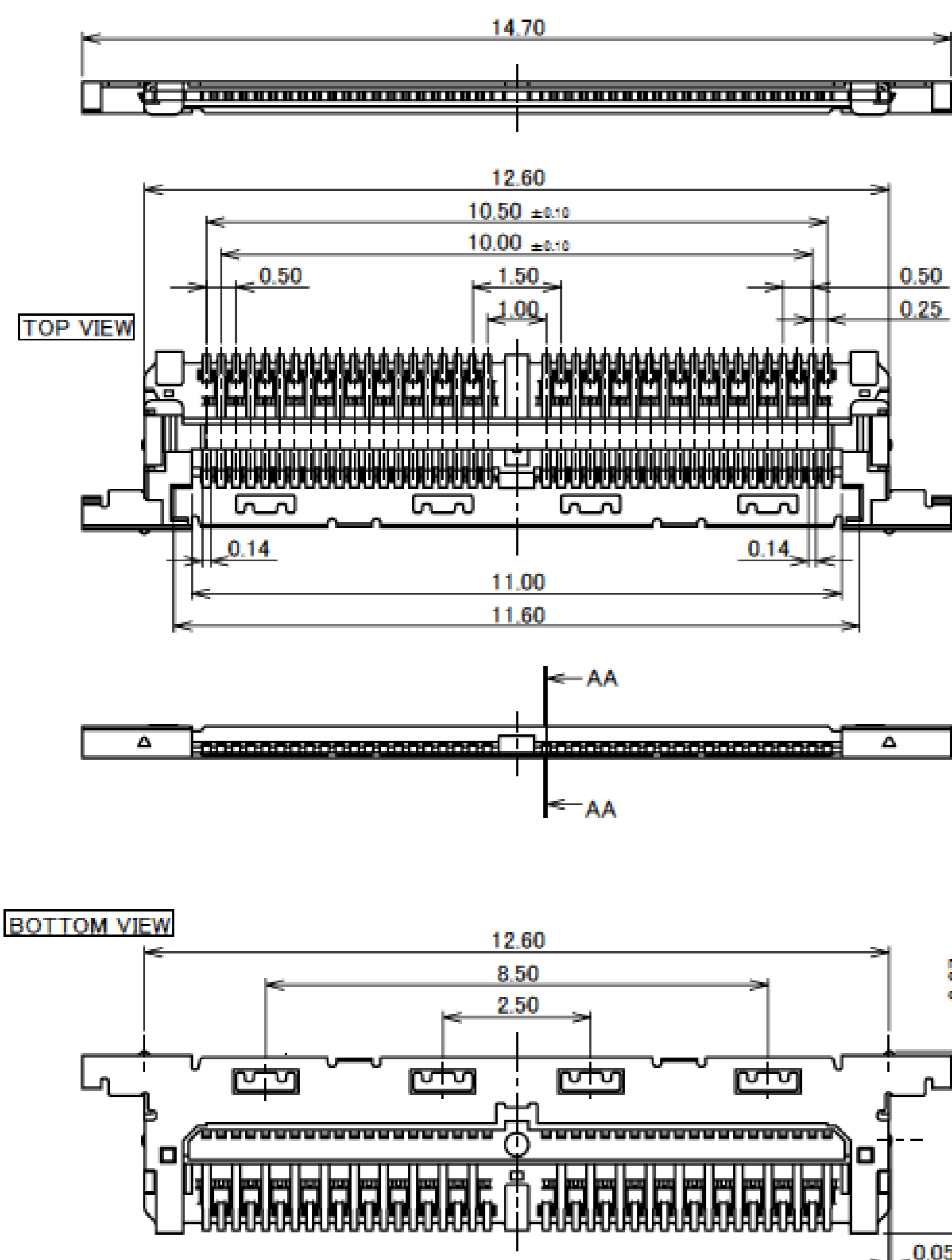
Plug for Cable Assembly

ITEMS	SPECIFICATION
APPLICABLE CABLE	MICRO-COAXIAL CABLE : AWG# 46,44,39 DISCRETE WIRE : AWG# 39
RATING VOLTAGE	100V AC (PER CONTACT PIN)
RATING AMPERAGE (FOR CONTACT)	0.10A AC/DC [AWG#46] PER CONTACT PIN/UP TO 40 CONTACTS 0.15A AC/DC [AWG#44] PER CONTACT PIN/UP TO 40 CONTACTS 0.50A AC/DC [AWG#39] PER CONTACT PIN/UP TO 7 CONTACTS ※TESTING BY A REAL MACHINE IS RECOMMENDED BECAUSE TEMPERATURE RISE MAY AFFECTED BY ACTUAL SITUATION
OPERATING TEMPERATURE	233~358K(-40°C~+85°C) (CONTAINING TEMPERATURE RISE BY CURRENT)
OPERATING HUMIDITY	85% MAX.(NON-CONDENSING)
CONTACT RESISTANCE	INITIAL : 388mohm MAX.(AWG#39) / AFTER TEST : Δ 40mohm MAX. INITIAL : 1,080mohm MAX.(AWG#44) INITIAL : 1,830mohm MAX.(AWG#46)
GROUND SHELL RESISTANCE	INITIAL : 50mohm MAX. / AFTER TEST : Δ 40mohm MAX.
INSULATION RESISTANCE	INITIAL : 1,000Mohm MIN. / AFTER TEST : 500Mohm MIN.
DIELECTRIC WITHSTANDING VOLTAGE	AC250V 1min
DURABILITY	20 CYCLES
MATING FORCE (INITIAL / 20 CYCLES)	40P : 30.0N MAX.
UNMATING FORCE (INITIAL / 20 CYCLES)	40P : 4.0N MIN.
CABLE RETENTION FORCE	40P : 19.60N MIN.
PRODUCT SPECIFICATION	PRS-2403
TEST REPORT	TR-17063
INSTRUCTION MANUAL	HIM-17040
ASSEMBLY MANUAL	ASM-17011
APPEARANCE CRITERIA No.	QLS-A***

Rev.2

Plug Housing Assembly

Recommended P/N	20974-040T-01
PART NO.	Pos.
20974-040T-01	40



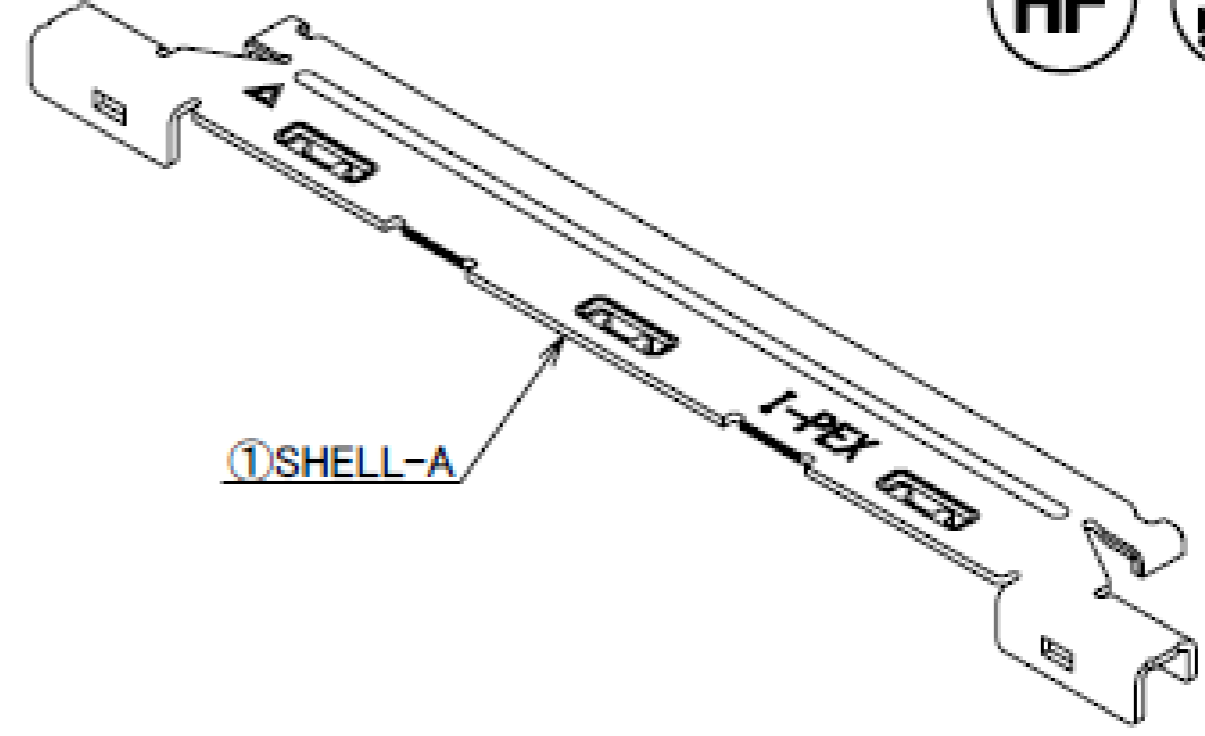
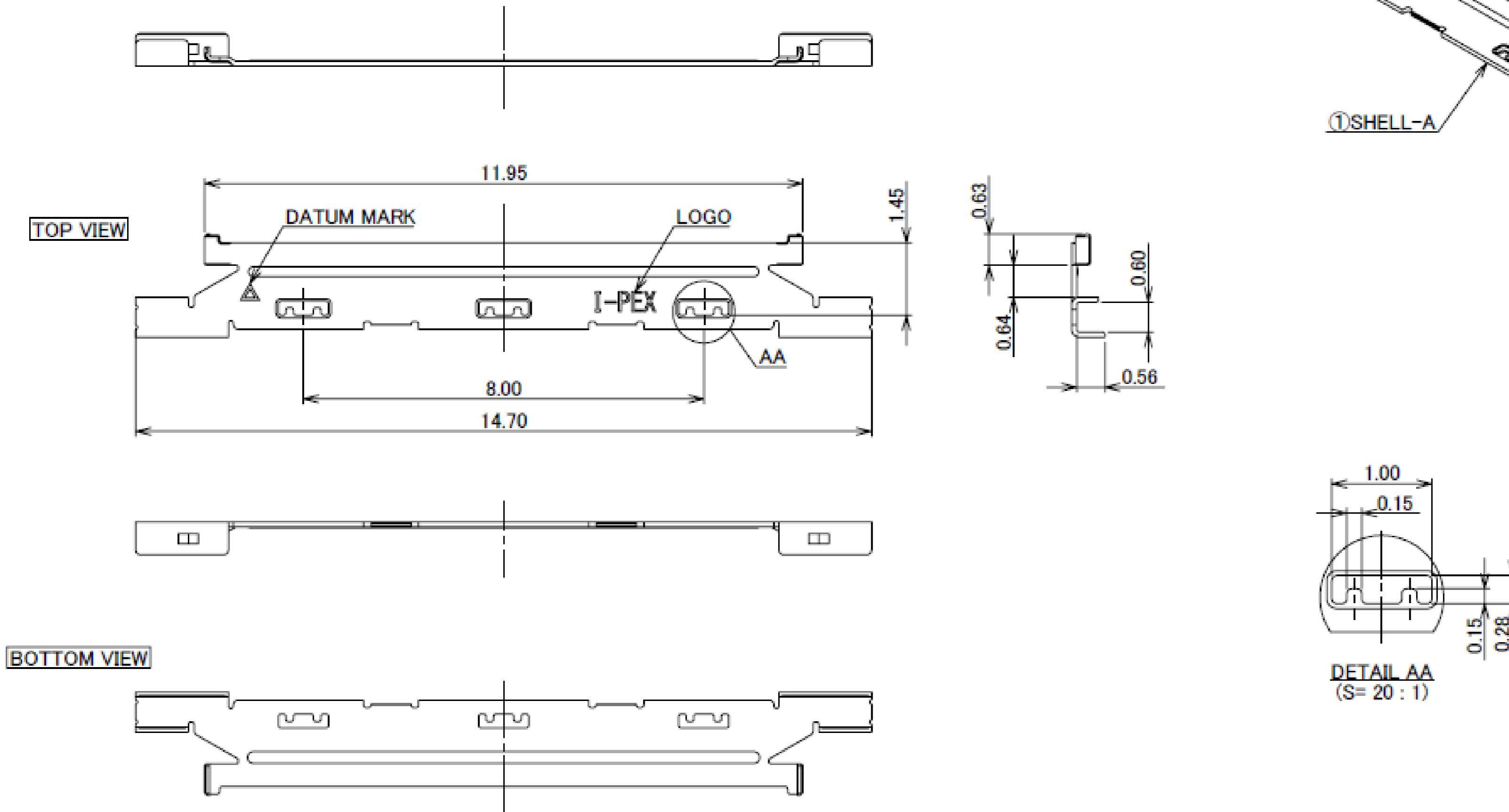
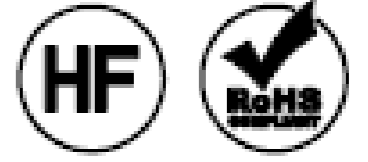
NOTES.
1. ASSEMBLY
1-1. 20977-040T-01
THIS PART IS ASSEMBLED WITH SHELL A (P/N 3655-0401) AND LOCK BAR ASS'Y (P/N 20975-040T-01) AFTER SOLDERED THE CABLE.
1-2. 20978-040T-01
THIS PART IS ASSEMBLED WITH SHELL A (P/N 3655-0401) AND LOCK BAR (P/N 3656-0402) AFTER SOLDERED THE CABLE.

NO.	DISCRIPTION	MATERIAL	FINISH , REMARKS
4	SHELL B	SUS	PARTIAL Au 0.003 μ m MIN. OVER Ni 1.00 μ m MIN.
3	CONTACT B	CORSON ALLOY	CONTACT AREA : Au 0.25 μ m MIN. OVER Ni 2.00 μ m MIN. SOLDERING AREA : Au 0.03 μ m MIN. OVER Ni 1.00 μ m MIN.
2	CONTACT A	CORSON ALLOY	CONTACT AREA : Au 0.25 μ m MIN. OVER Ni 2.00 μ m MIN. SOLDERING AREA : Au 0.03 μ m MIN. OVER Ni 1.00 μ m MIN.
1	HOUSING	LCP	UL94V-0, BLACK

Rev.1

Plug Shell-A

Recommended P/N	3655-0401
PART No.	3655-0401

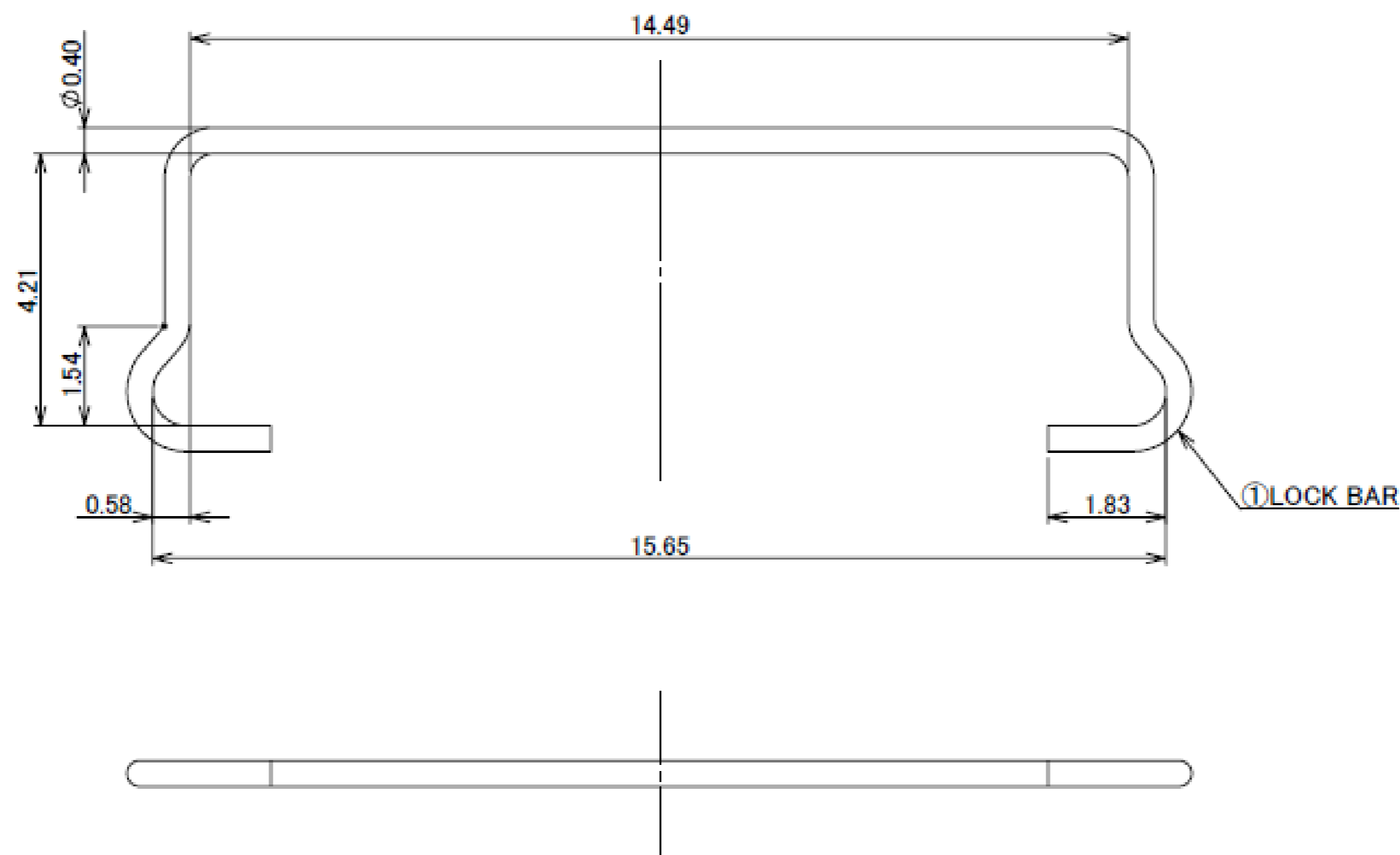


NO.	DISCRIPTION	MATERIAL	FINISH , REMARKS
1	SHELL-A	SUS	PARTIAL Au 0.003 μ m MIN. OVER Ni 1.0 μ m MIN.

Rev.0

Plug Lock Bar

Recommended P/N	3656-0402
PART No.	3656-0402

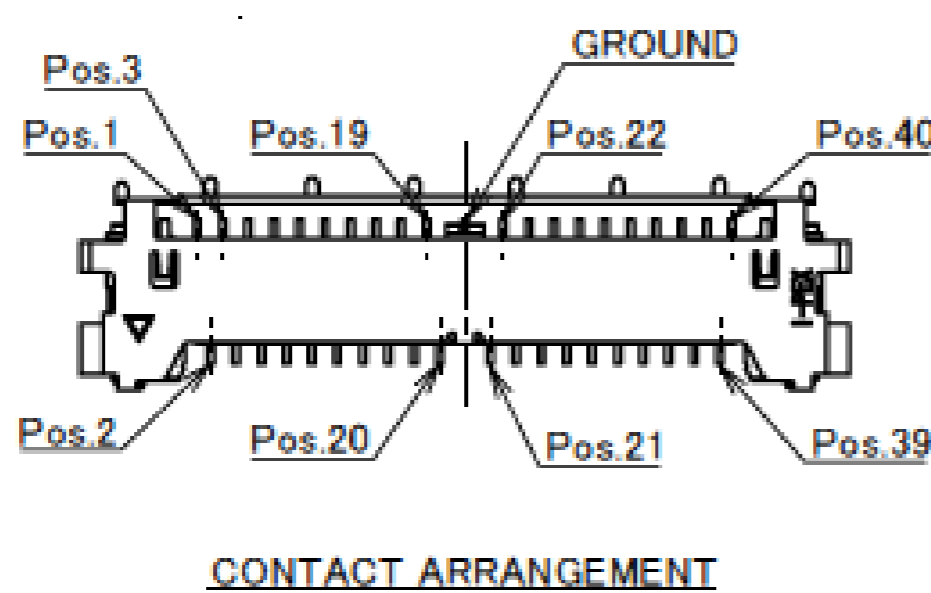
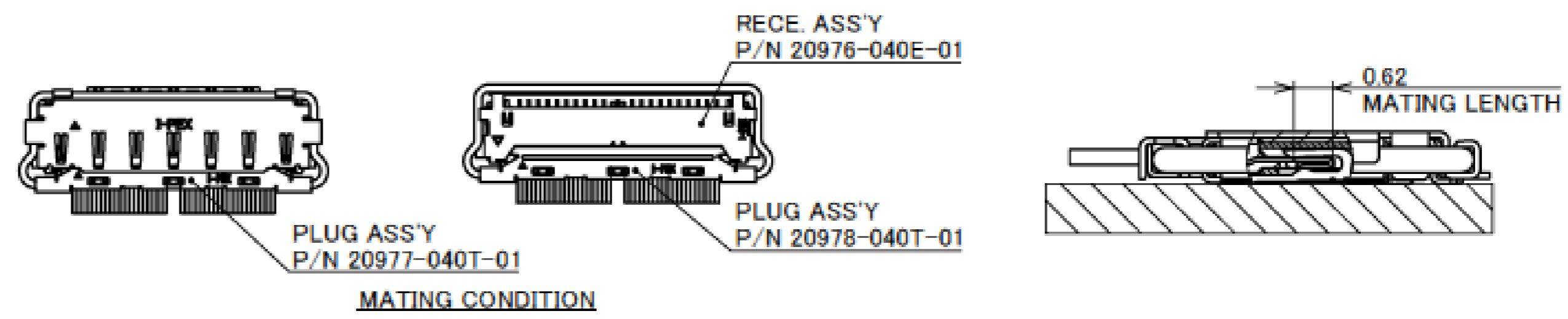
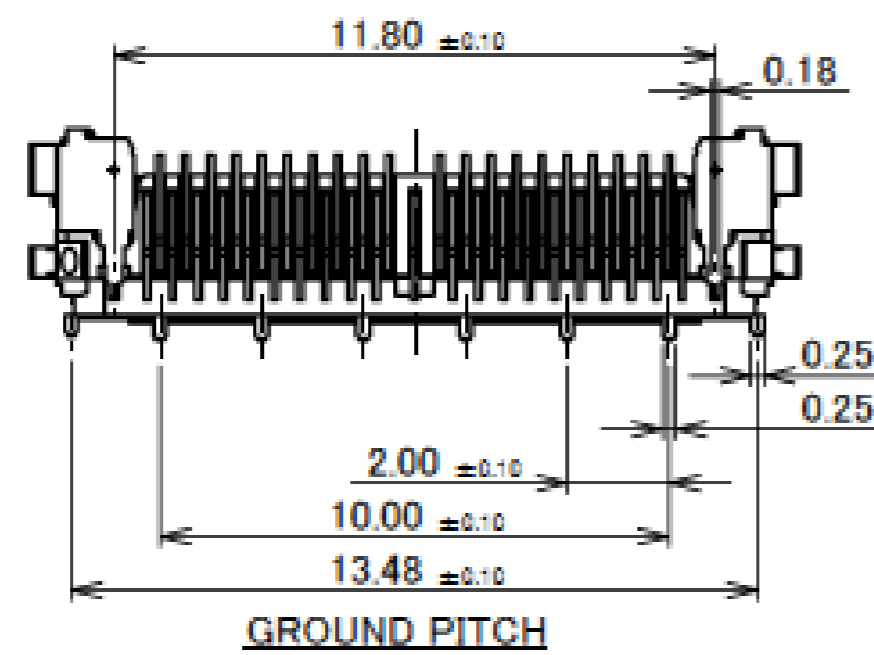
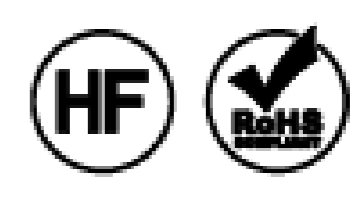
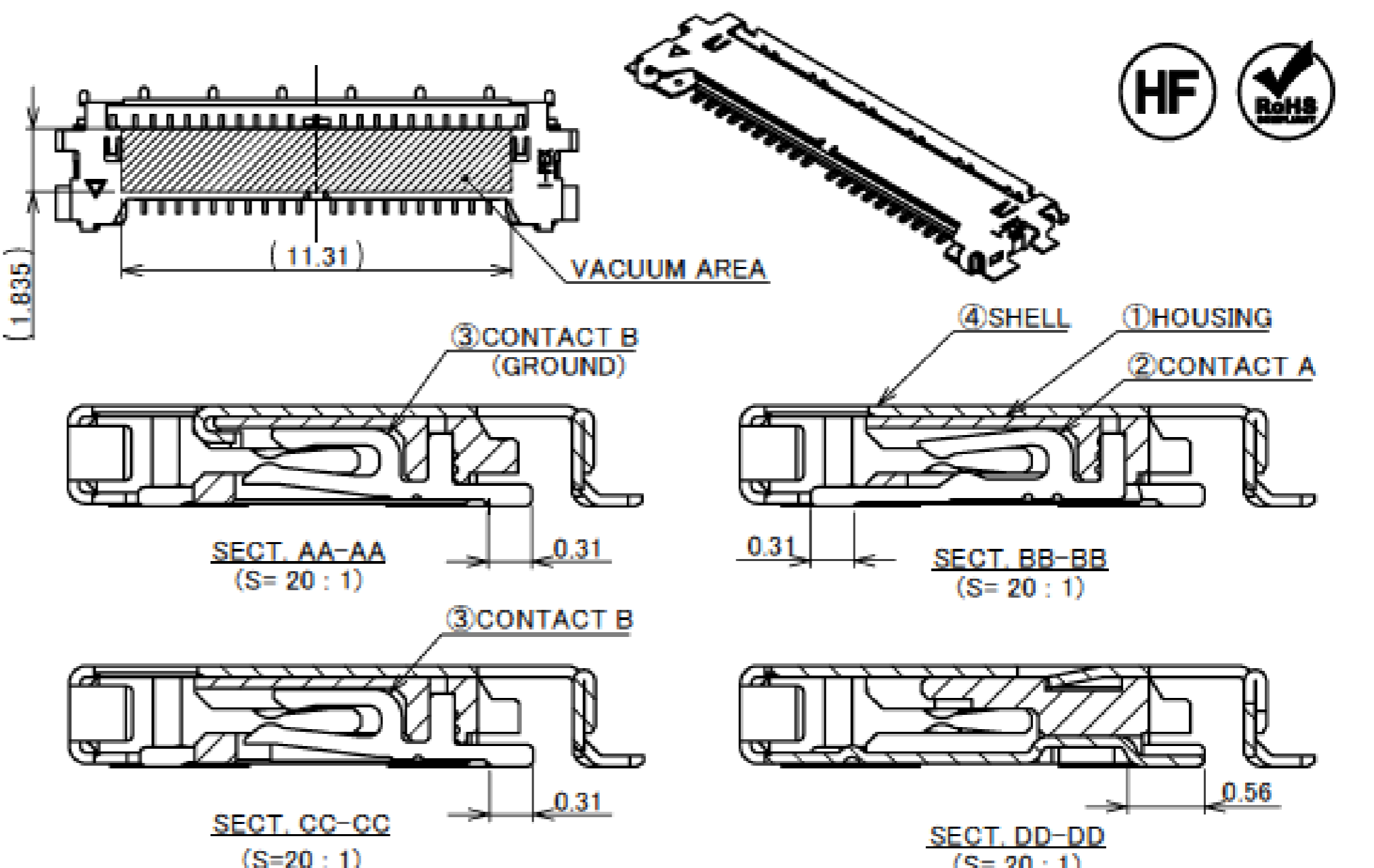
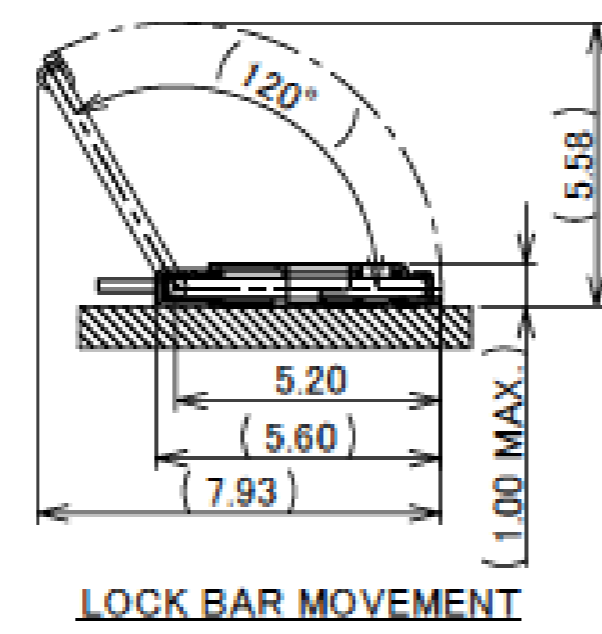
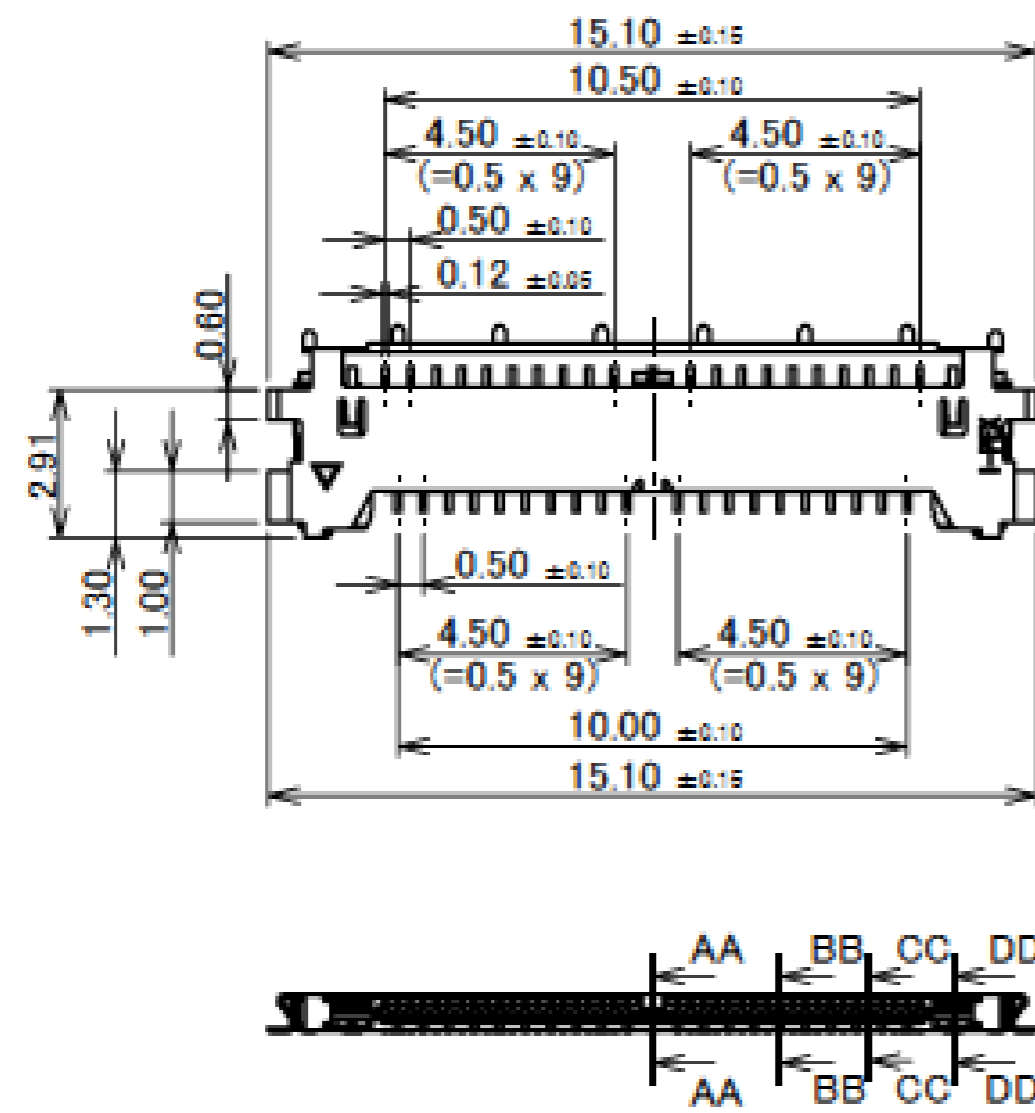


NO.	DISCRIPTION	MATERIAL	FINISH , REMARKS
1	LOCK BAR	SUS $\phi 0.40$	-

Rev.0

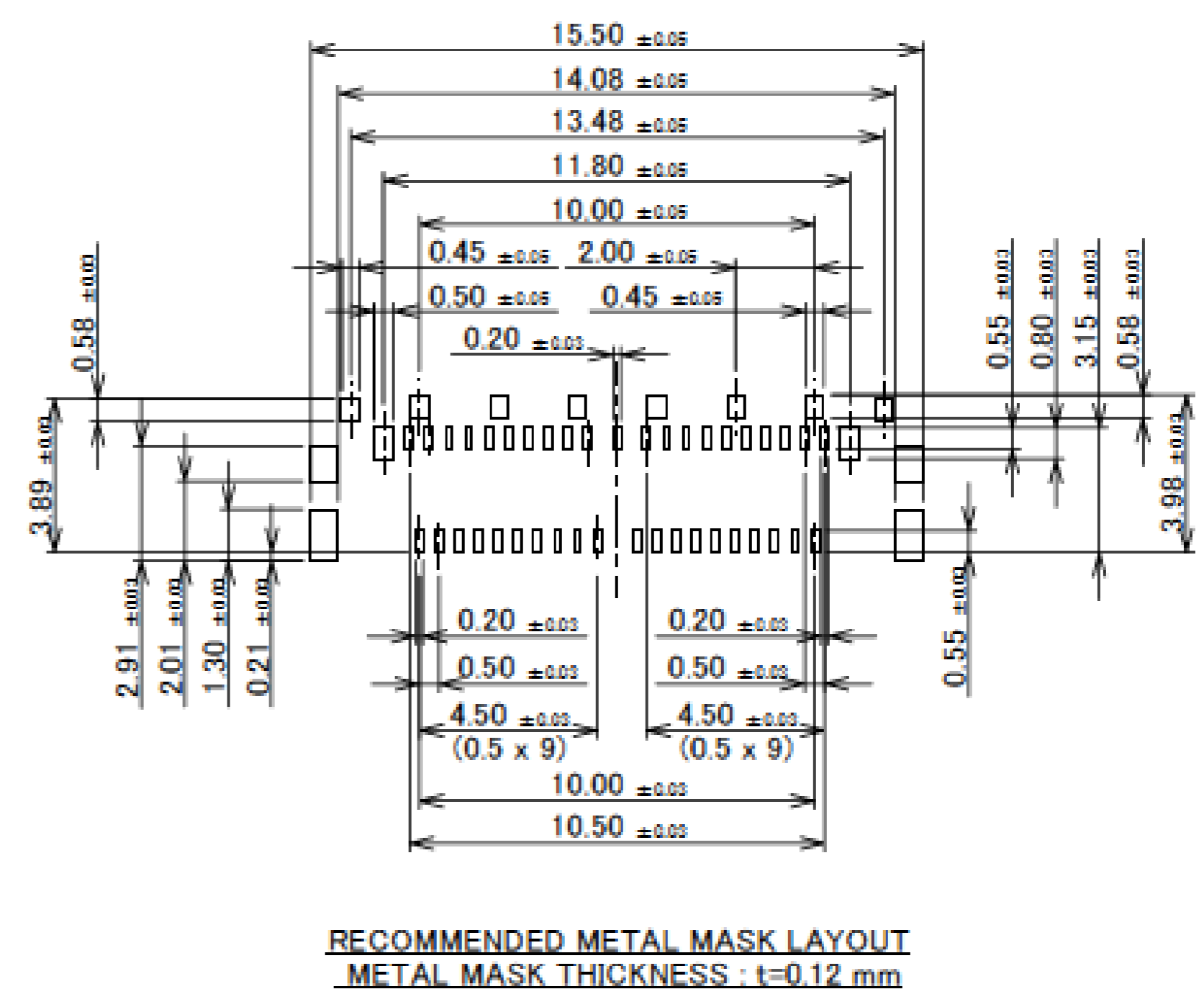
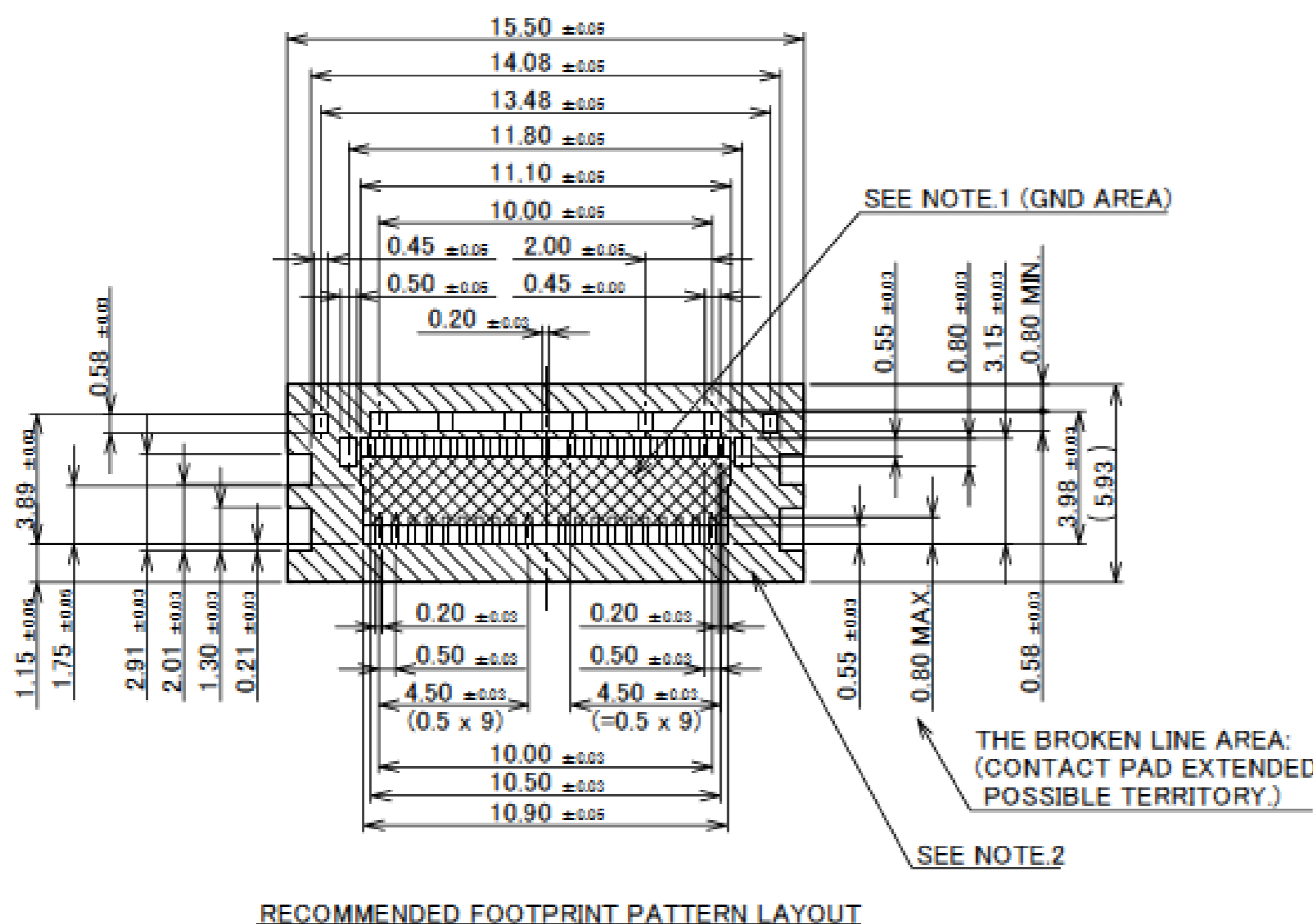
Receptacle Assembly

Recommended P/N	20976-040E-01
PART NO.	Pos.
20976-040E-01	40



NO.	DISCRIPTION	MATERIAL	FINISH , REMARKS
4	SHELL	PHOSHOR BRONZE	PARTIAL Au 0.03 μm MIN. OVER Ni 1.00 μm MIN.
3	CONTACT B	CORSON ALLOY	CONTACT AREA : Au 0.10 μm MIN. OVER Ni 1.00 μm MIN. SOLDERING AREA : Au 0.03 μm MIN. OVER Ni 1.00 μm MIN.
2	CONTACT A	CORSON ALLOY	CONTACT AREA : Au 0.10 μm MIN. OVER Ni 1.00 μm MIN. SOLDERING AREA : Au 0.03 μm MIN. OVER Ni 1.00 μm MIN.
1	HOUSING	LCP	UL94V-0, BLACK

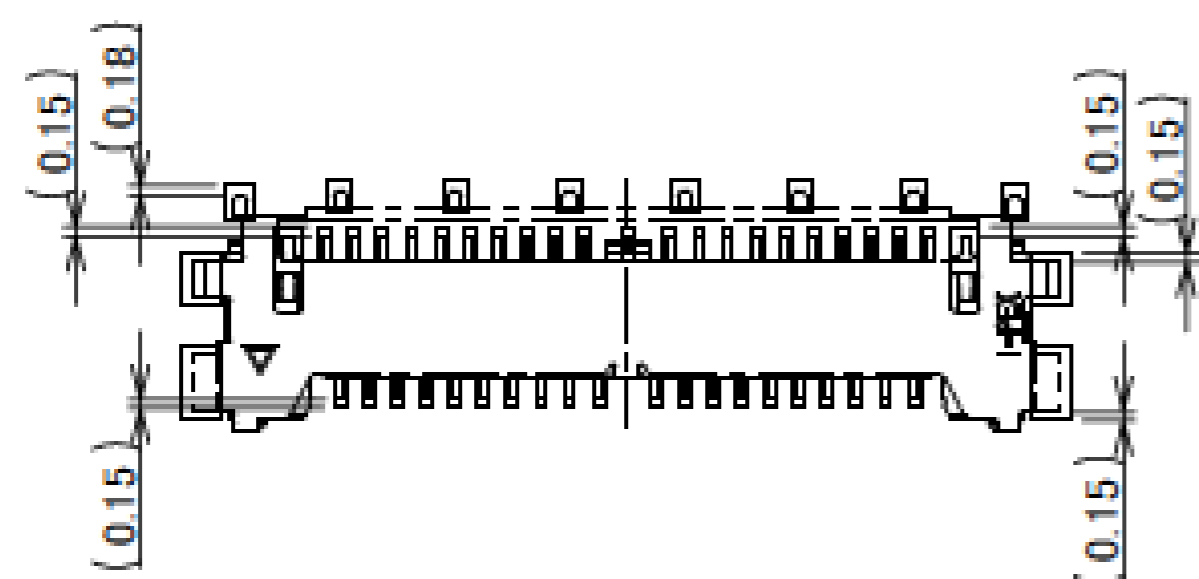
Rev.2



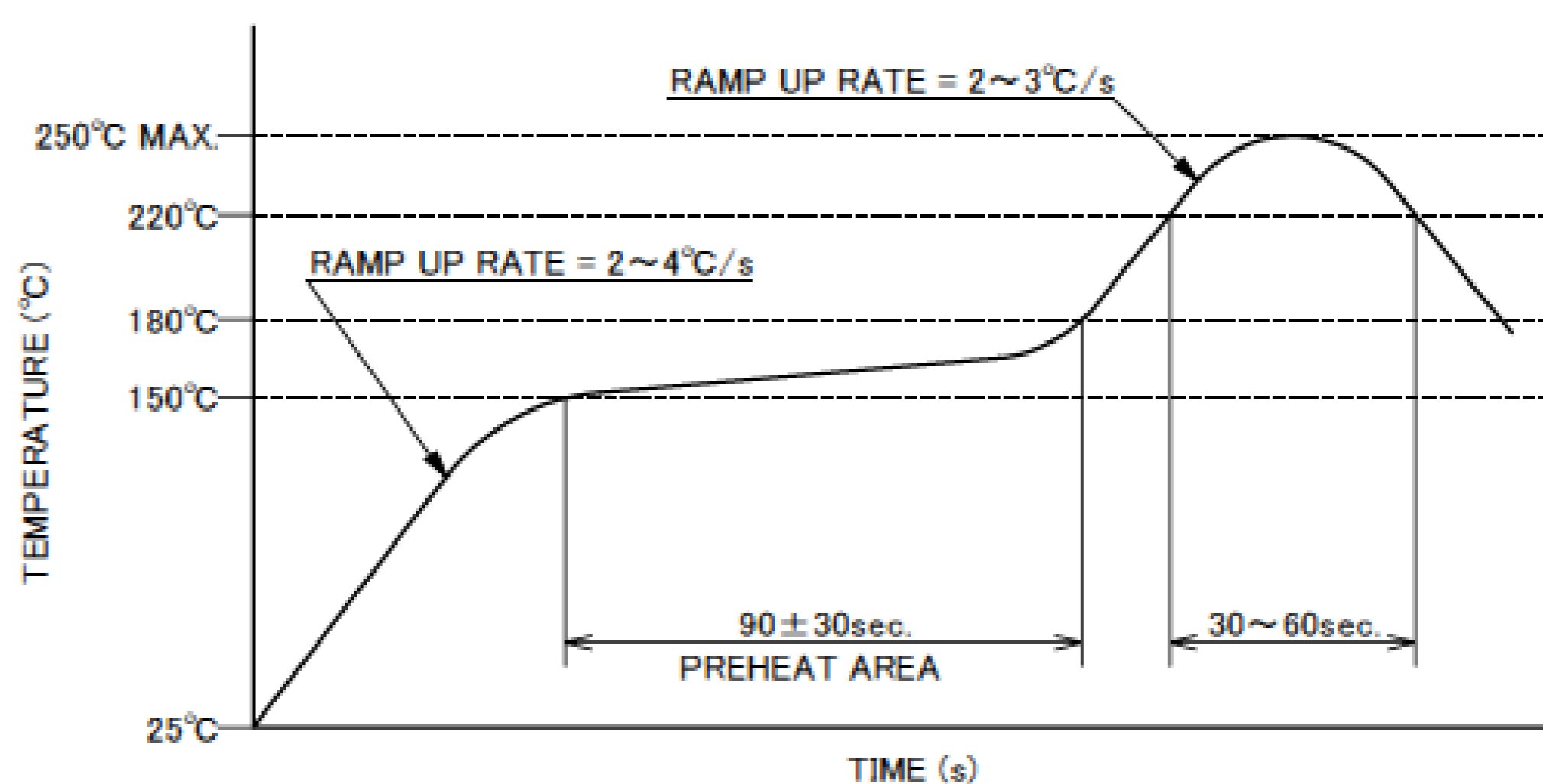
NOTES.
1. SOLDER RESIST MUST BE APPLIED TO THIS AREA
2. DO NOT MOUNT ANOTHER COMPONENTS IN THIS AREA.

Rev.2

Receptacle Assembly



CONNECTOR ON RECOMMENDED FOOTPRINT PATTERN



REFLOW TEMPERATURE PROFILE
SENJU METAL INDUSTRY CO., LTD. : M705-SHF(Sn96.5 Ag3.0 Cu0.5)

Rev.2

ITEMS	SPECIFICATION
APPLICABLE CABLE	MICRO-COAXIAL CABLE : AWG# 46,44 DISCRETE WIRE : AWG# 39
RATING VOLTAGE	100V AC (PER CONTACT PIN)
RATING AMPERAGE (FOR CONTACT)	0.10A AC/DC [AWG#46] PER CONTACT PIN/UP TO 40 CONTACTS 0.15A AC/DC [AWG#44] PER CONTACT PIN/UP TO 40 CONTACTS 0.50A AC/DC [AWG#39] PLUG WITH COVER CABLE ASS'Y (P/N : 20977-040T-01) PER CONTACT PIN/UP TO 8 CONTACTS PLUG WITHOUT COVER CABLE ASS'Y (P/N : 20978-040T-01) PER CONTACT PIN/UP TO 7 CONTACTS ※ TESTING BY A REAL MACHINE IS RECOMMENDED BECAUSE TEMPERATURE RISE MAY AFFECTED BY ACTUAL SITUATION
OPERATING TEMPERATURE	233~358K(-40°C~+85°C) (CONTAINING TEMPERATURE RISE BY CURRENT)
OPERATING HUMIDITY	85% MAX.(NON-CONDENSING)
CONTACT RESISTANCE	INITIAL : 388mohm MAX.(AWG#39) / AFTER TEST : \triangleleft140mohm MAX. INITIAL : 1,080mohm MAX.(AWG#44) INITIAL : 1,830mohm MAX.(AWG#46)
GROUND SHELL RESISTANCE	INITIAL : 50mohm MAX. / AFTER TEST : \triangleleft140mohm MAX.
INSULATION RESISTANCE	INITIAL : 1,000Mohm MIN. / AFTER TEST : 500Mohm MIN.
DIELECTRIC WITHSTANDING VOLTAGE	AC250V 1min
DURABILITY	20 CYCLES
MATING FORCE (INITIAL / 20 CYCLES)	40P : 30.0N MAX.
UNMATING FORCE (INITIAL / 20 CYCLES)	40P : 4.0N MIN.
CABLE RETENTION FORCE	40P : 19.60N MIN.
COPLANARITY	0.10 MAX.
PRODUCT SPECIFICATION	PRS-2403
TEST REPORT	TR-17063
PACKING STANDARD	PST-17126
INSTRUCTION MANUAL	HIM-17035 (WHEN PLUG WITH COVER CABLE ASS'Y IS USED) HIM-17040 (WHEN PLUG WITHOUT COVER CABLE ASS'Y IS USED)
APPEARANCE CRITERIA No.	QLS-A***


Rev.2

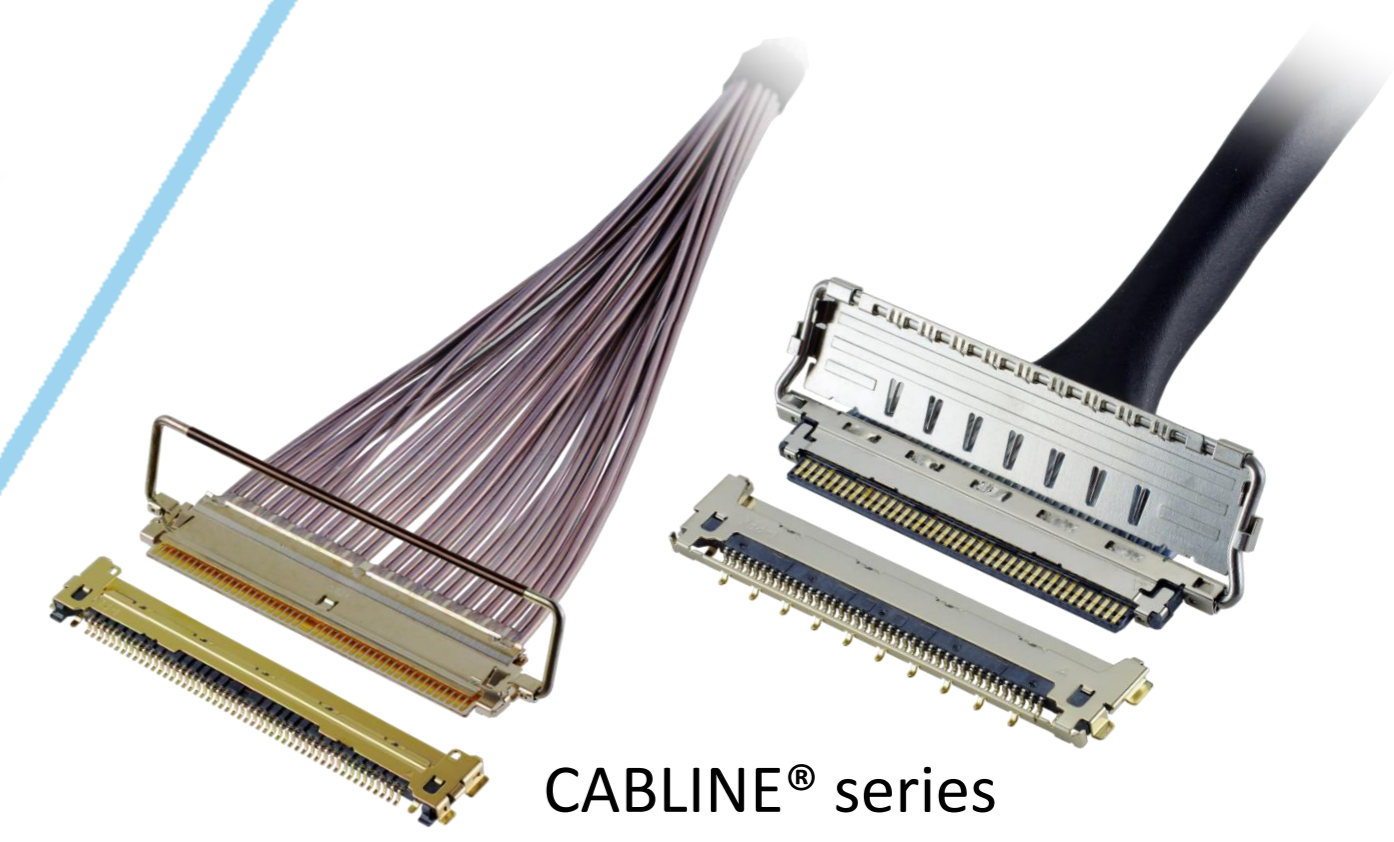
Custom Connectors Available

 RF Connector

MHF® series



 CABLINE® series
Micro-coaxial/Twinax/
Discrete Wire Connector



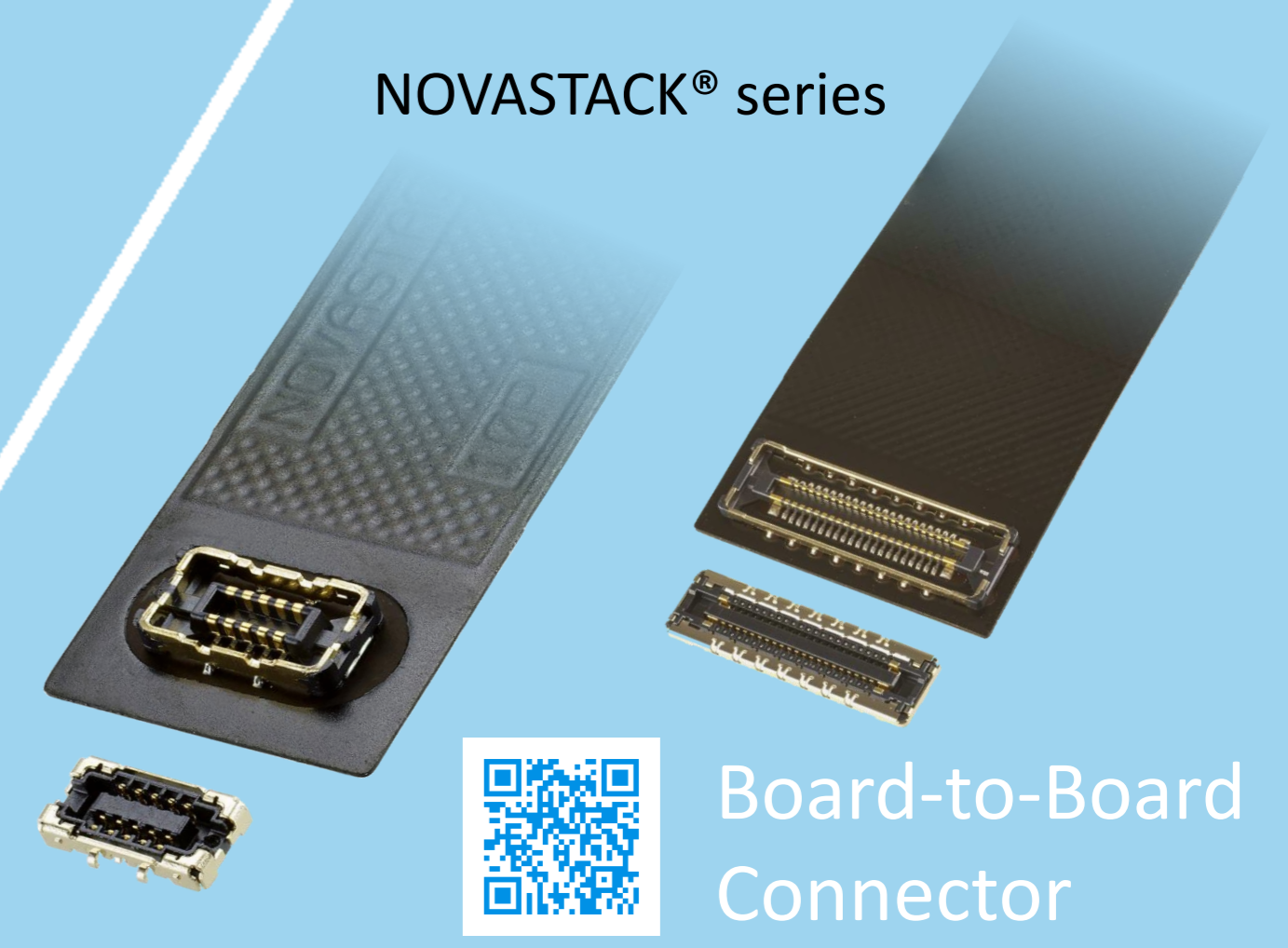
 Optical Module

LIGHTPASS® series



NOVASTACK® series

 Board-to-Board Connector



 Power Connector/
Terminal

AP series

ISH® series



MINIFLEX® series

EVAFLEX® series

 FPC FFC Connector

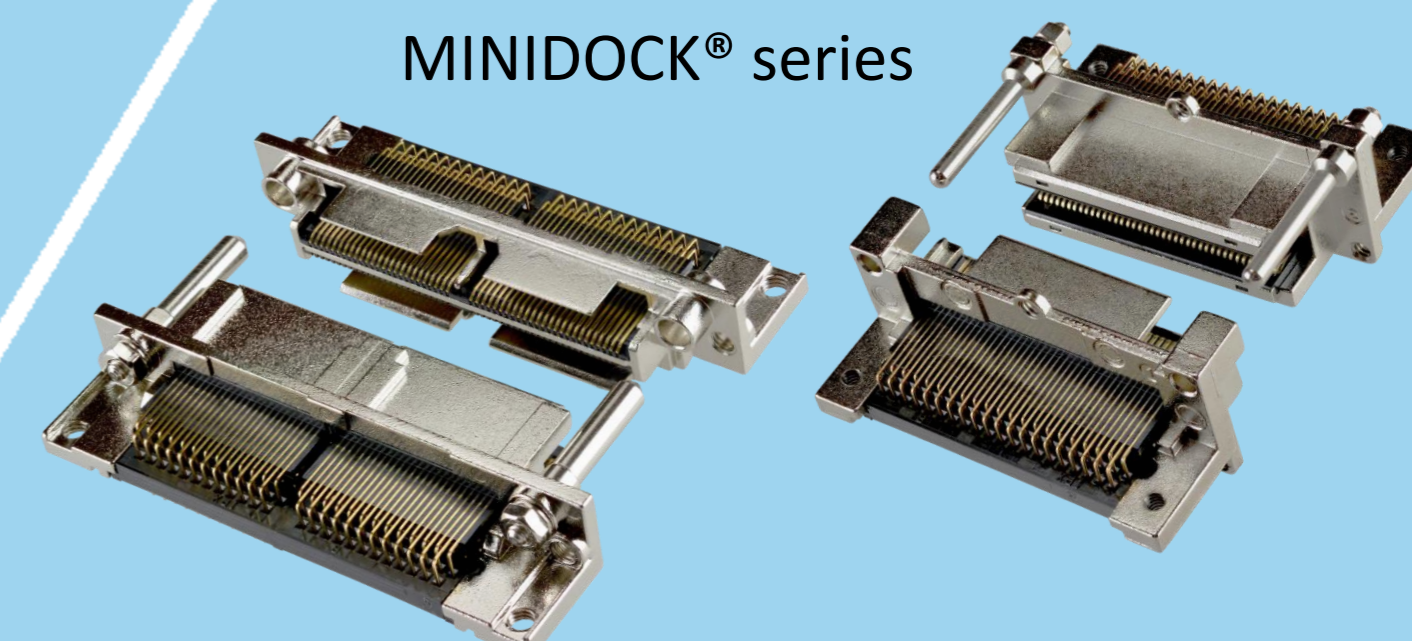


Inquiry



MINIDOCK® series

 I/O Connector



I-PEX, MHF, CABLINE, LIGHTPASS, NOVASTACK, ISH, IARPB, MINIFLEX, EVAFLEX, MINIDOCKS and ZenShield are registered trademarks of I-PEX Inc. Please note that the contents in the catalog might be changed without prior notification. I-PEX Inc. assumes no responsibility for any inaccuracies or obligation to update information on these documents. Please be sure to read and understand the latest "Precautions for Use" and "Instruction Manual" before you use our products. We shall not be responsible for any defects, damages or troubles in case you use our products without following the precautions for use. Please feel free to contact our sales representatives when you use our products for any applications that require very high reliability and safety, or that relate to human life (ex. nuclear power control, aerospace, transportation, medical equipment, safety equipment etc.).

Contact your sales representative or more detailed information.

www.i-pex.com



I-PEX

© I-PEX Inc. 2024
All rights reserved