

CABLINE®-CBL

低背(高さ = 0.825mm)、メカニカルロック付き、シールド付き、
多点グランド接点、0.4mmピッチ、水平嵌合タイプ細線同軸コネクタ



Product Specifications:

Mating type	Horizontal	
Board Pitch (mm)	0.4	
Wiping Length (mm)	0.44	
Mated size (mm)	Height	0.825 +/- 0.15
	Width	Formula: 6.44 + (0.4*?p)
	Depth	5.44
Pin Counts	Range	Up to 40
	Available	30, 40

Applicable Cable Size:

Maximum O.D. (mm)	0.4
Micro-Coaxial for Signal (AWG)	45 ohm: #40 or smaller wire 50 ohm: #40 or smaller wire
Twinax (AWG)	-
Discrete (AWG)	#36 or smaller wire

Applicable Standards (Reference Only):

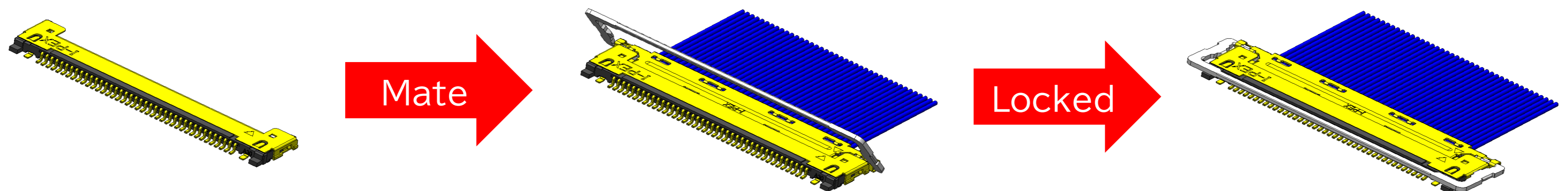
USB 3.1 Gen 1 (5 Gbps) V-By-One HS 1.4 (4 Gbps)
HDMI 1.3 (3.4 Gbps)

*記載のない極数の対応状況についてはお問い合わせください。
*嵌合高さがより低い0.4mmピッチのCABLINE®-CAL (嵌合高さ: 0.8mm max.) もございます。

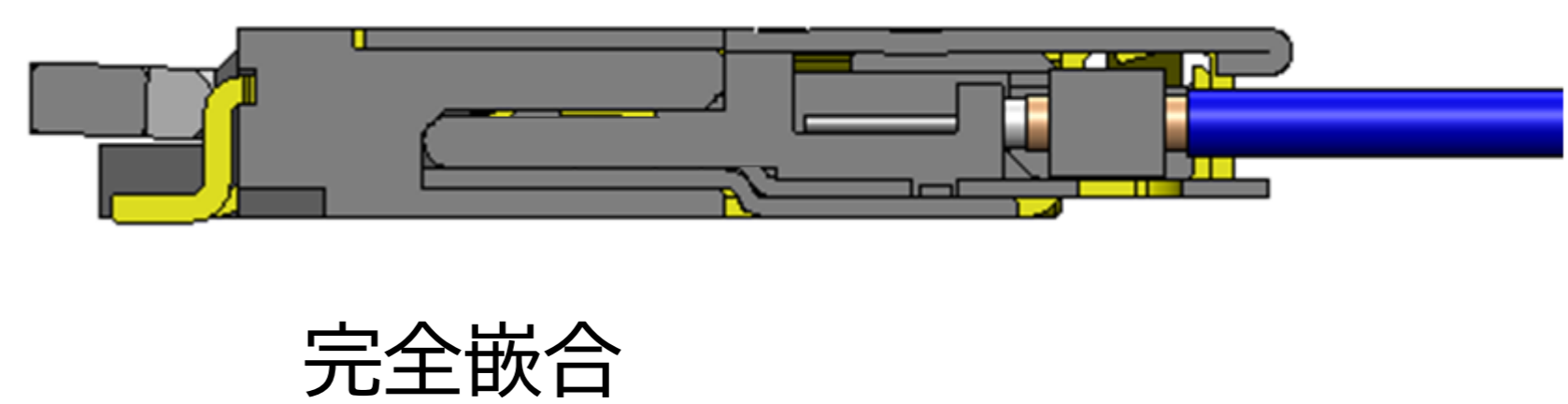
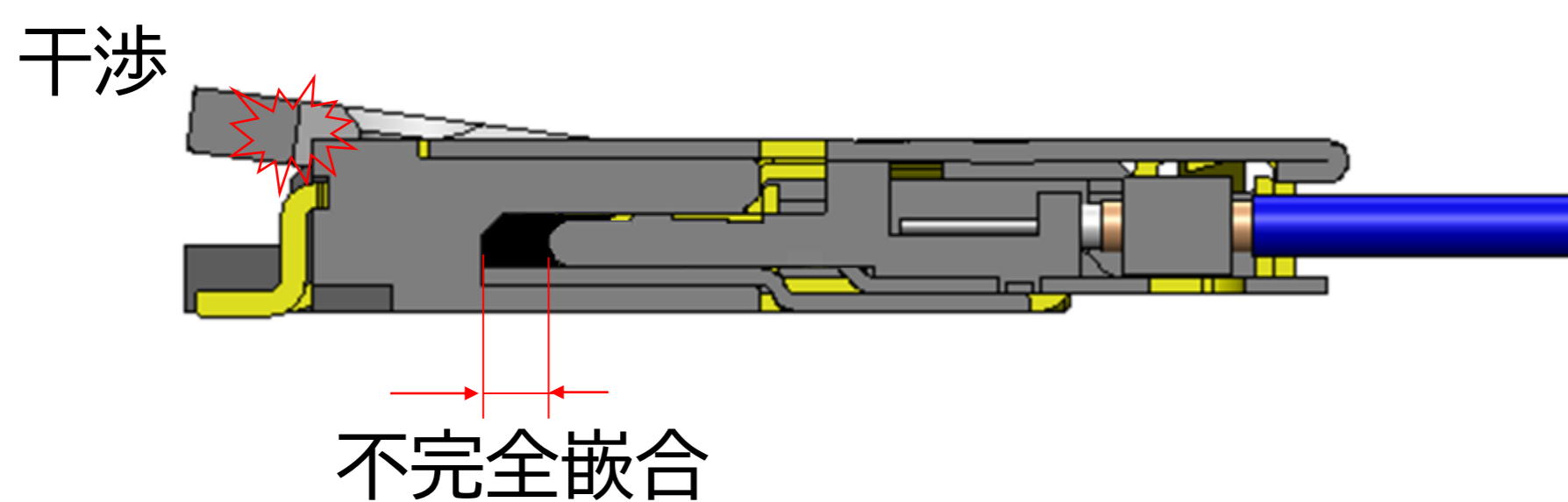
▶ 嵌合高さ: 0.975mm max. (0.825mm nominal)

CABLINE-CBL 40p				CABLINE-CAL 40p (lower height connector)			
CABLINE-CBL 40p mated set dimensions (mm)				CABLINE-CAL 40p mated set dimensions (mm)			
W	D	H		W	D	H	
22.44	5.44	0.825 (0.975 max.)		24.05	5.50	0.70 (0.80 max.)	

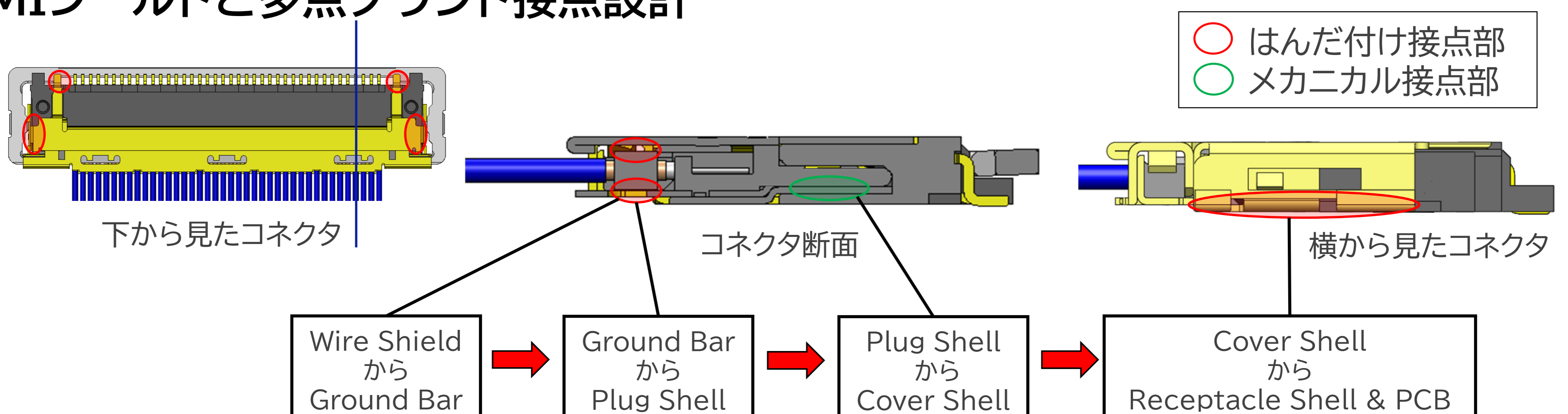
▶ メカニカルロックバーによる不完全嵌合防止とPlug抜け防止



PlugがReceptacleに完全に嵌合されている場合にのみロックが可能

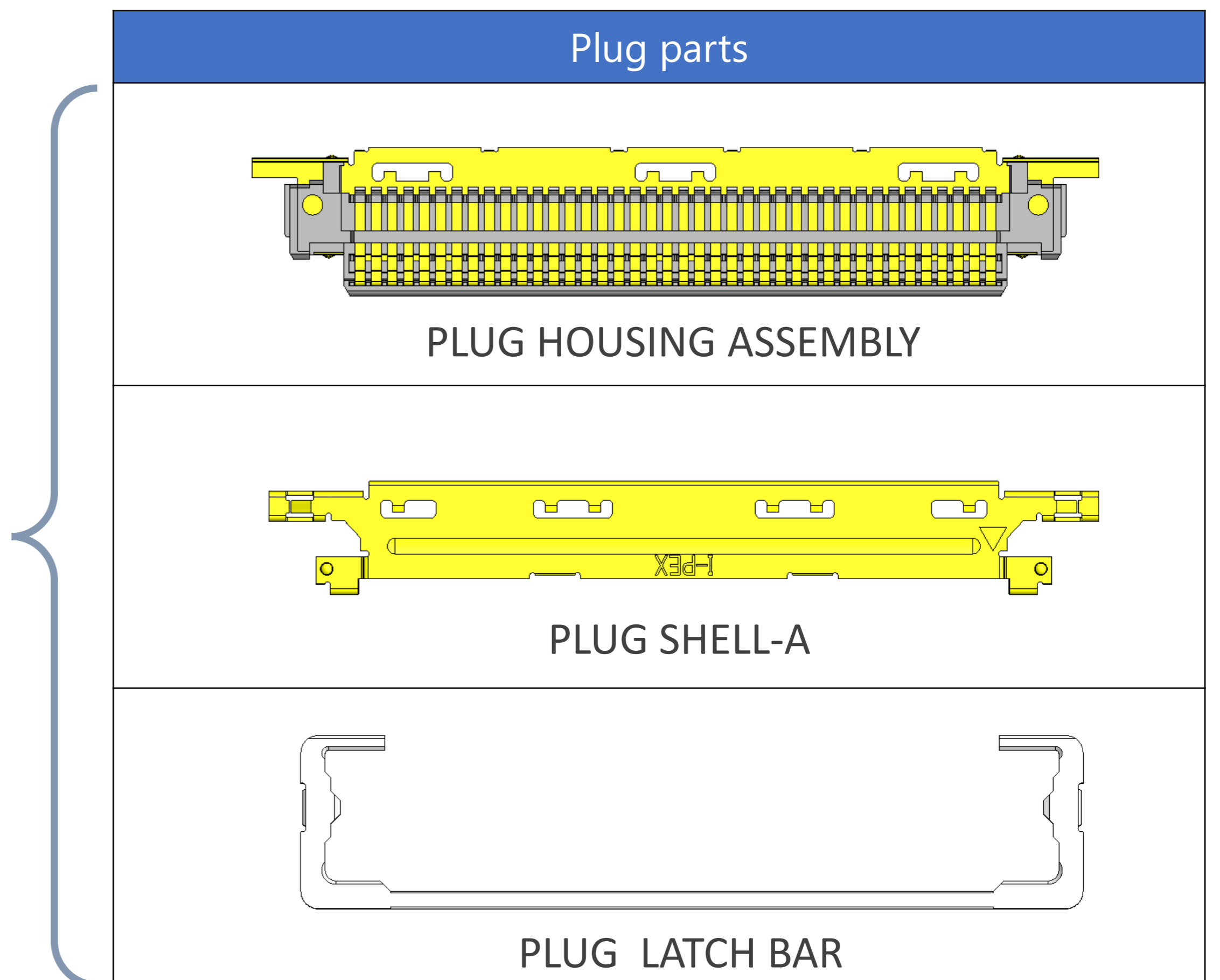
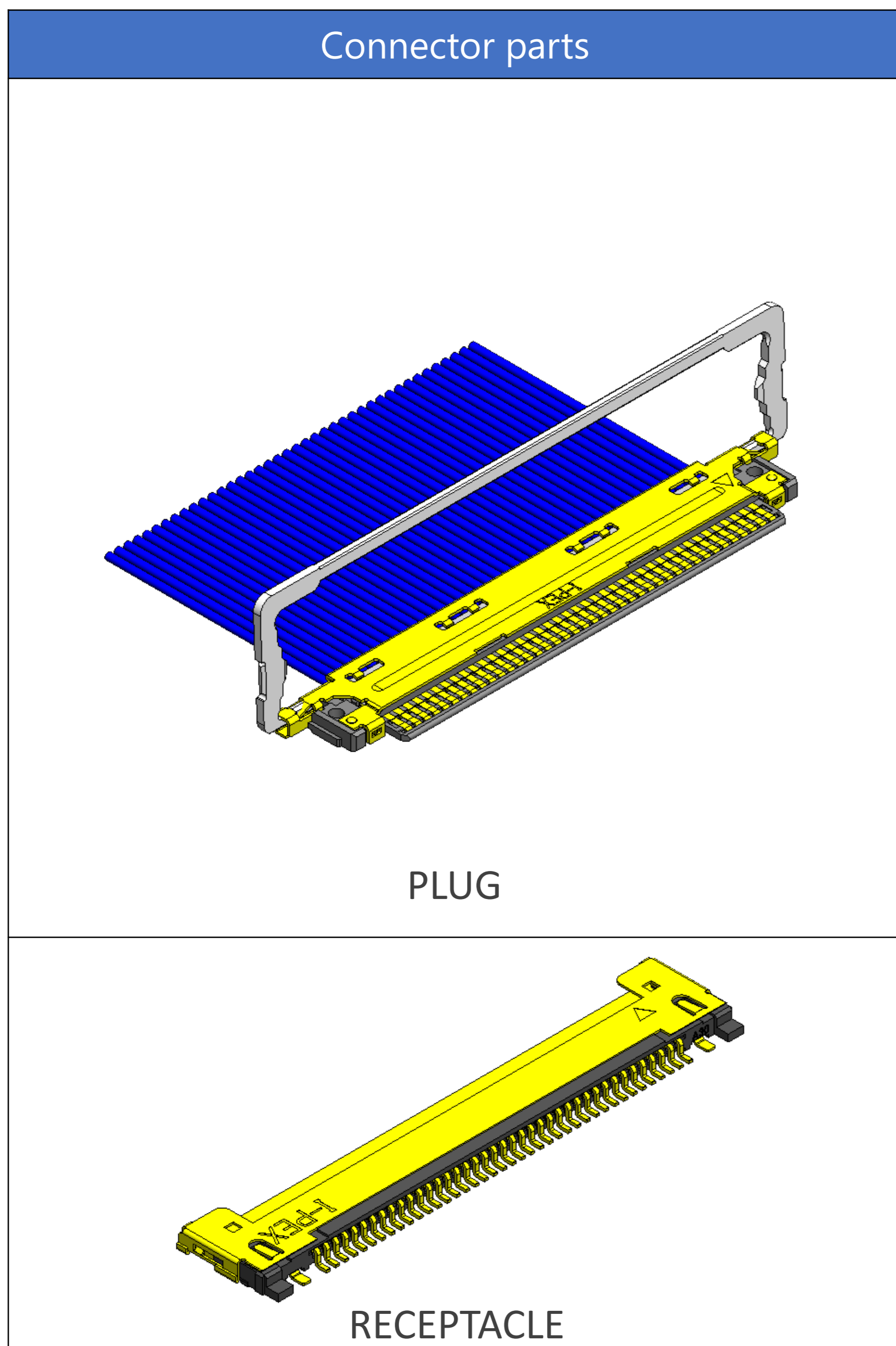


▶ EMIシールドと多点グランド接点設計



Component Parts Details

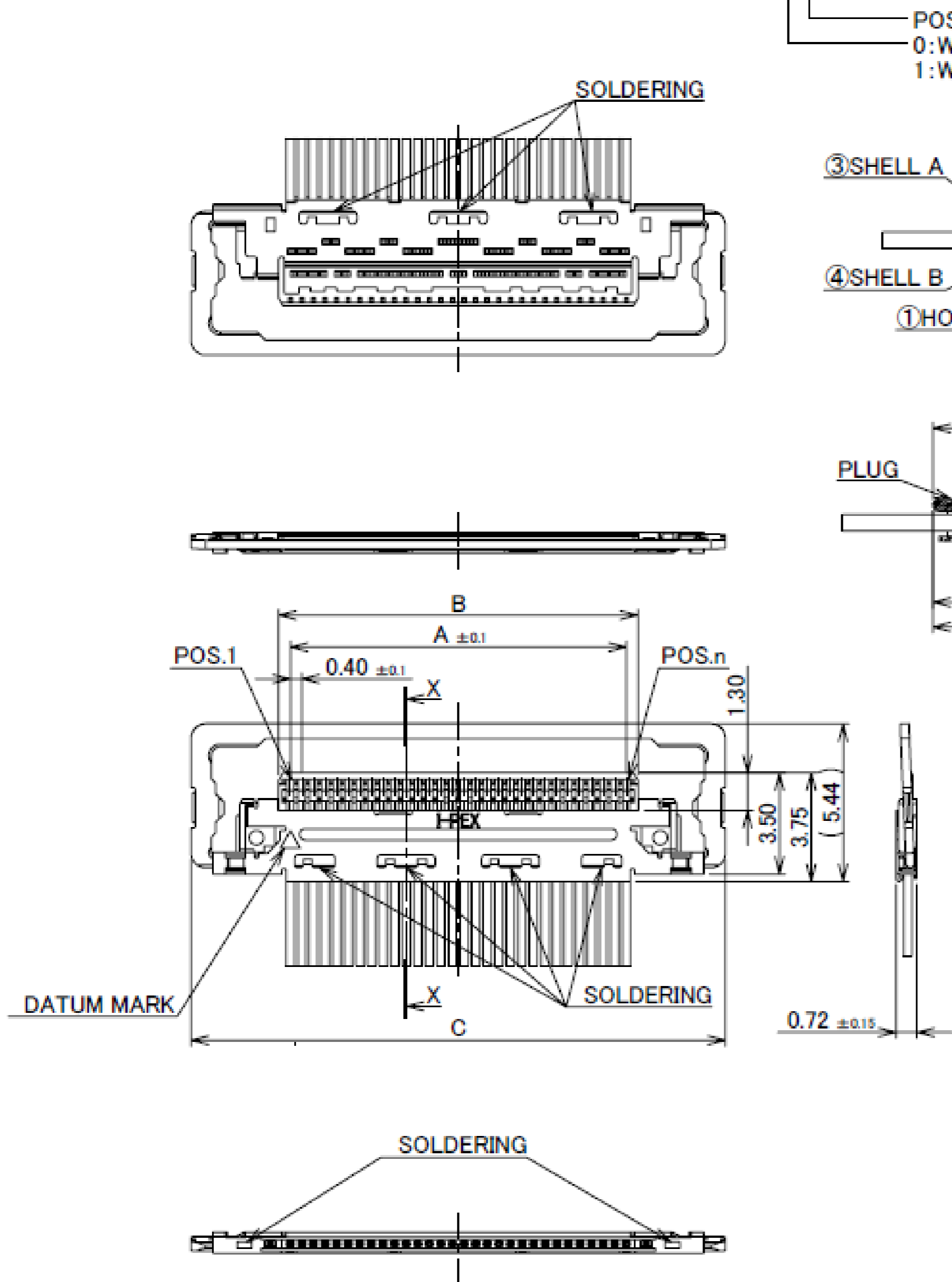
Component Parts



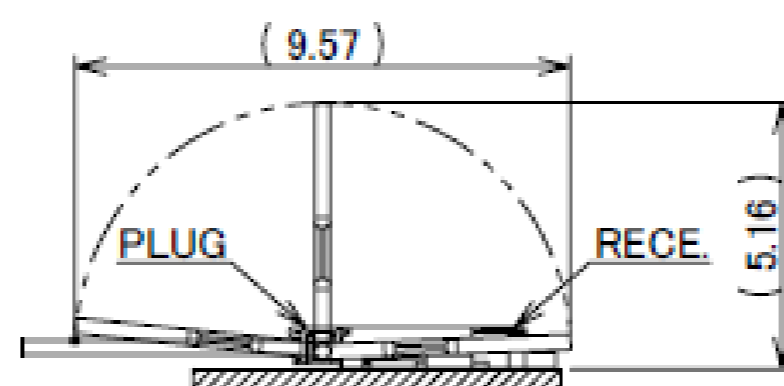
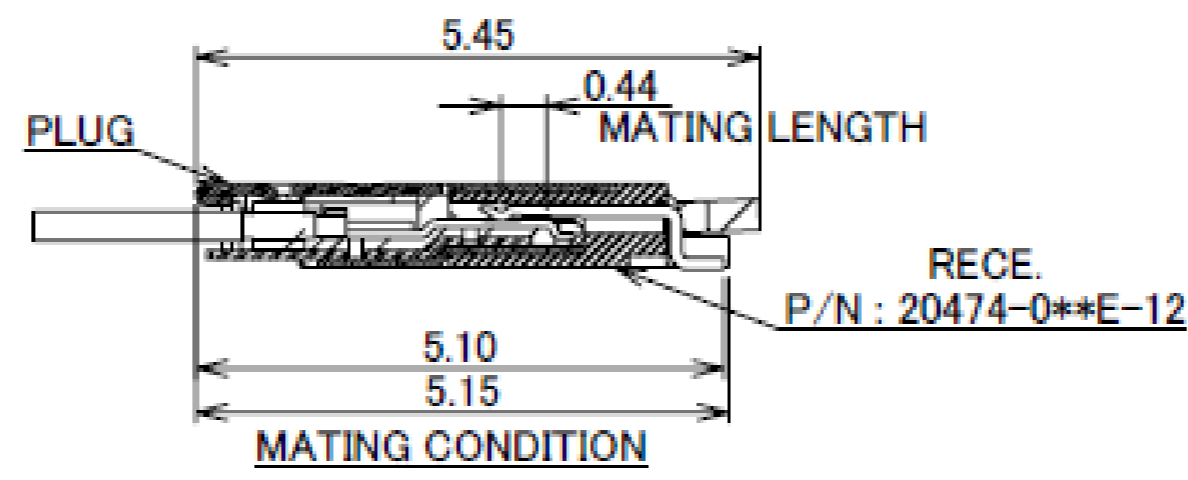
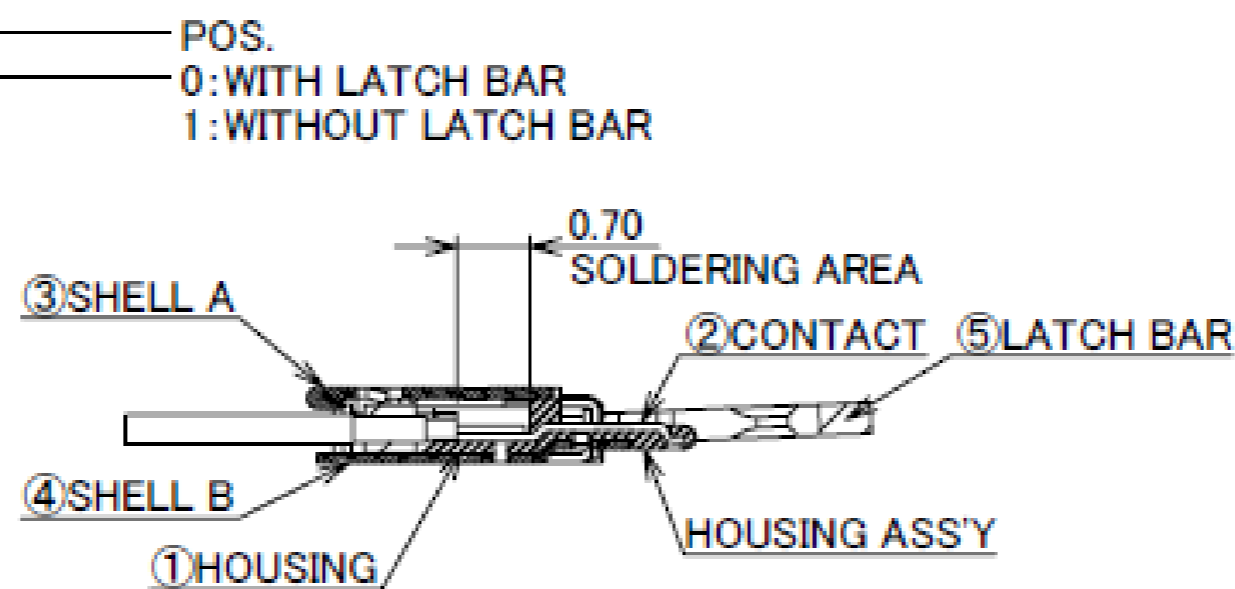
Plug for Cable Assembly

Recommended P/N		20472-0**T-10			
PART NO.	POS.	A	B	C	D
20472-030T-10	30	11.60	12.40	18.44	13.00
20472-040T-10	40	15.60	16.40	22.44	17.00

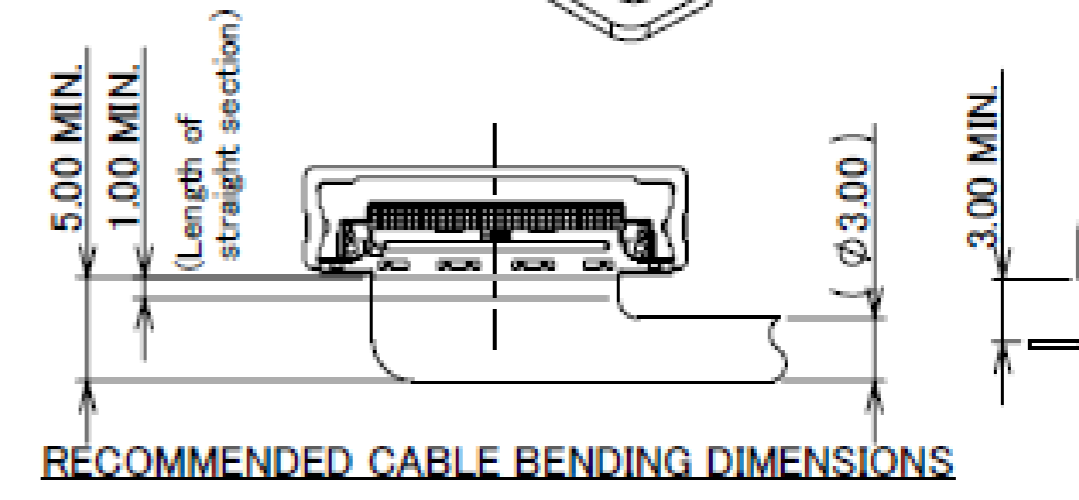
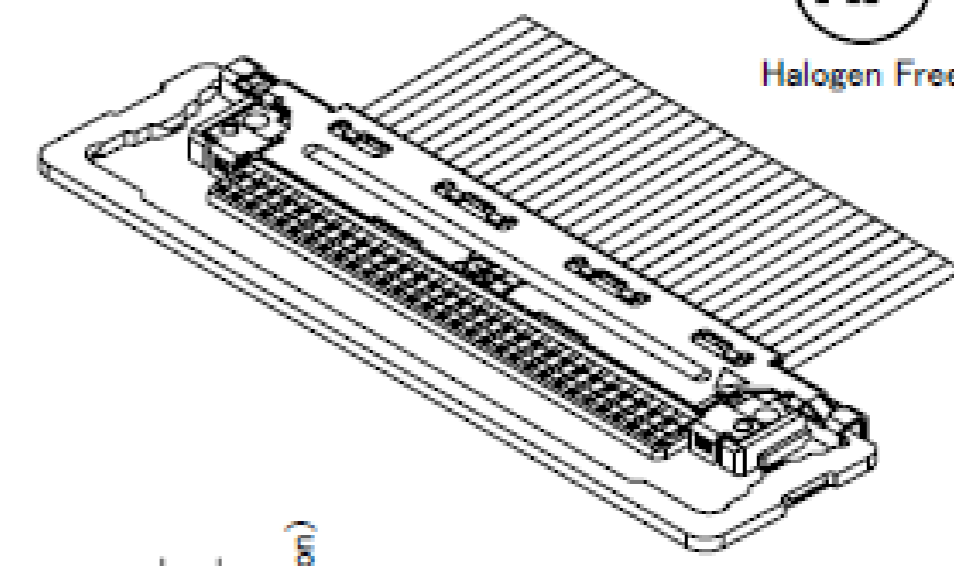
P/N : 20472-***T-10



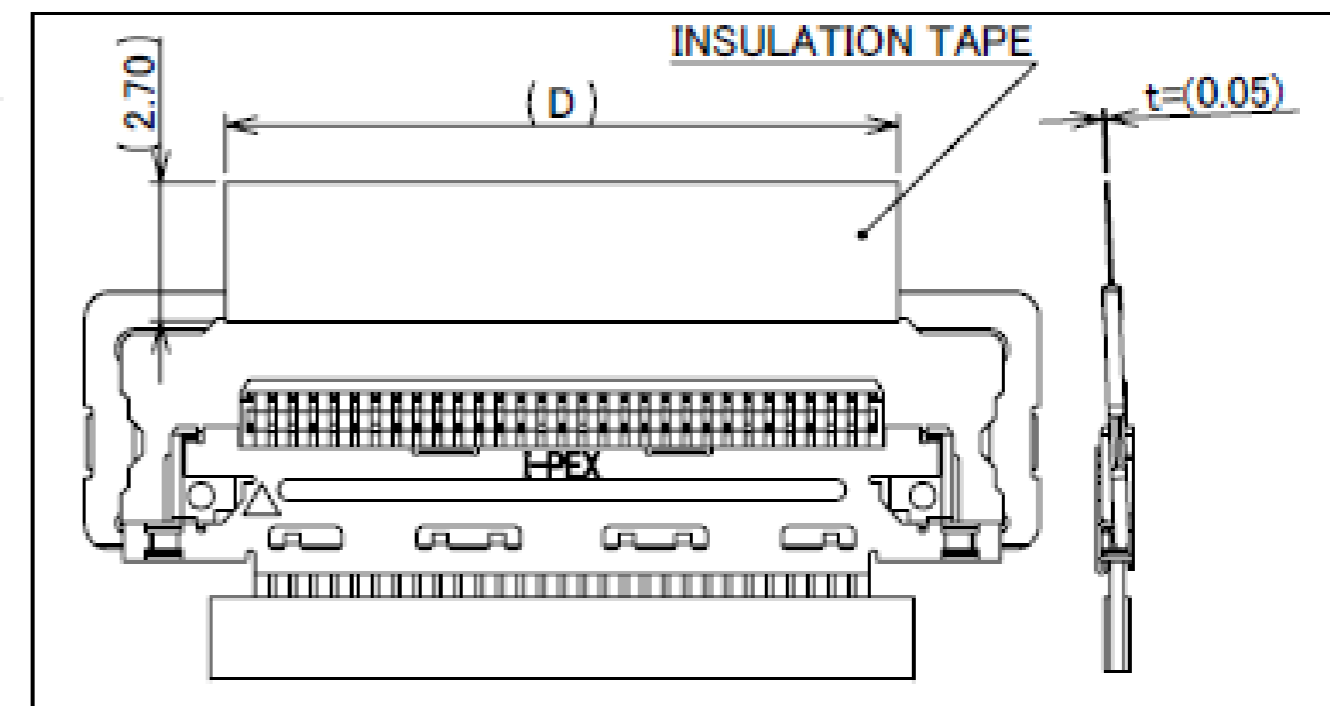
WITH LATCH BAR



LATCH MOVEMENTS



RECOMMENDED CABLE BENDING DIMENSIONS

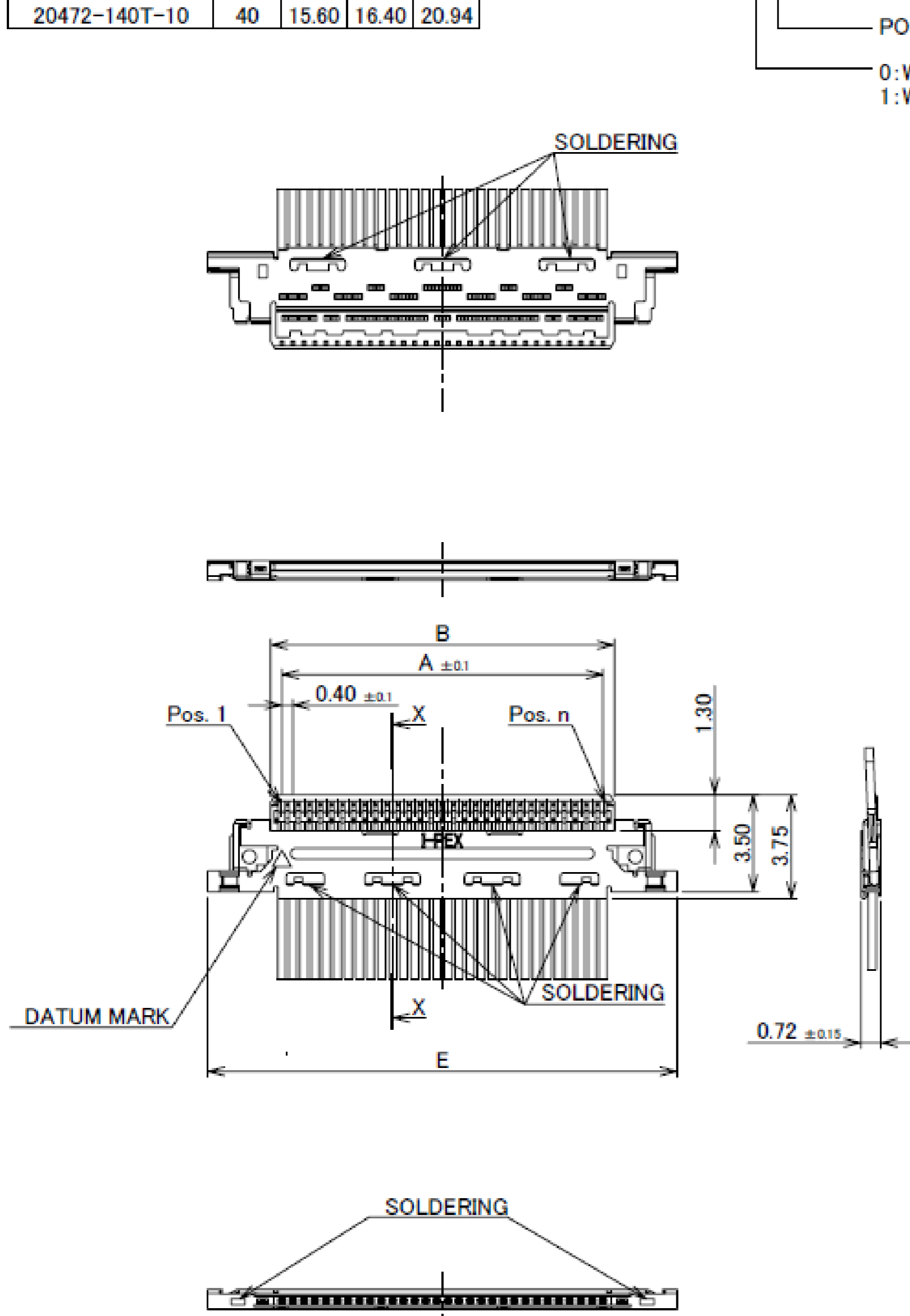


INSULATION TAPE RECOMMENDED DIMENSIONS

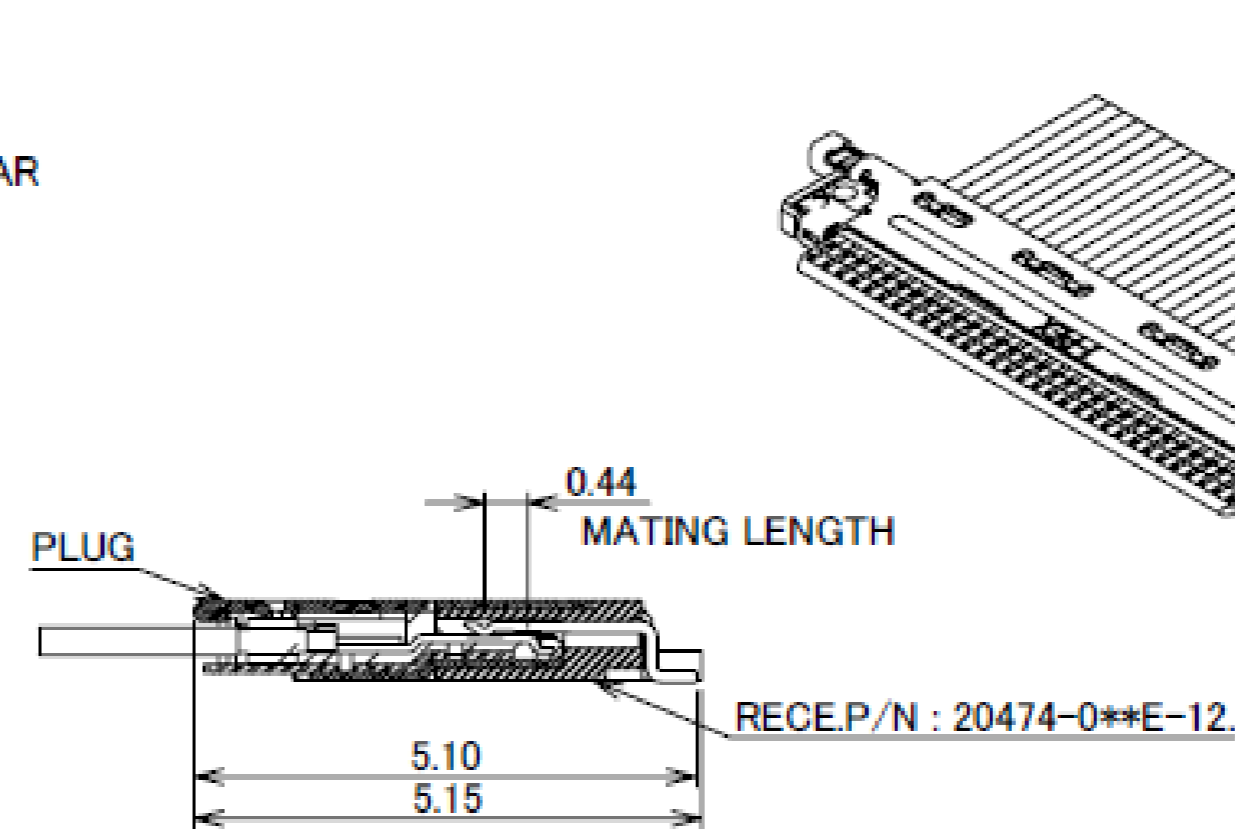
NO.	DISCRIPTION	MATERIAL	FINISH , REMARKS
5	LATCH BAR	SUS	
4	SHELL B	PHOSPHOR BRONZE	Au 0.05 μm MIN. OVER Ni 1.00 μm MIN.
3	SHELL A	PHOSPHOR BRONZE	Au 0.05 μm MIN. OVER Ni 1.00 μm MIN.
2	CONTACT	PHOSPHOR BRONZE	Au 0.1 μm MIN. OVER Ni 1.00 μm MIN.
1	HOUSING	LCP	UL94V-0, BLACK

Recommended P/N		20472-0**T-10		
PART NO.	POS.	A	B	E
20472-130T-10	30	11.60	12.40	16.94
20472-140T-10	40	15.60	16.40	20.94

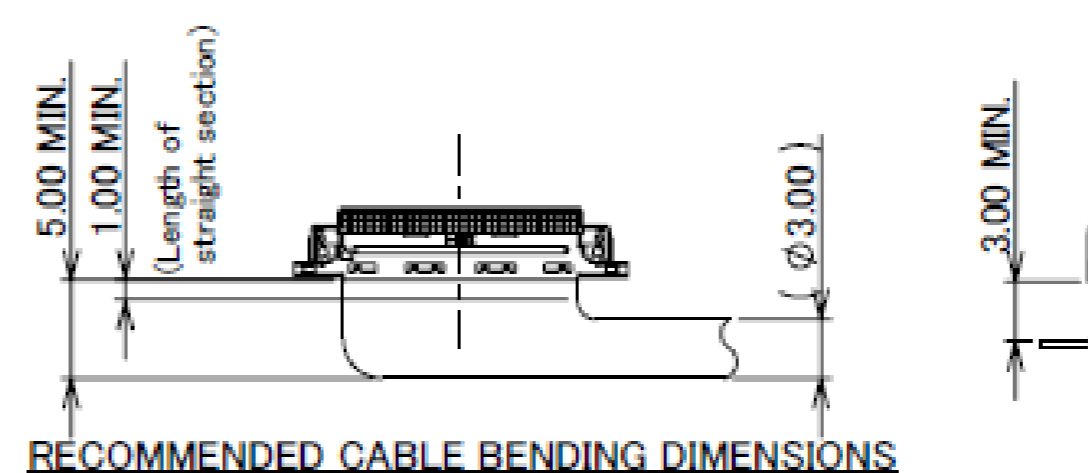
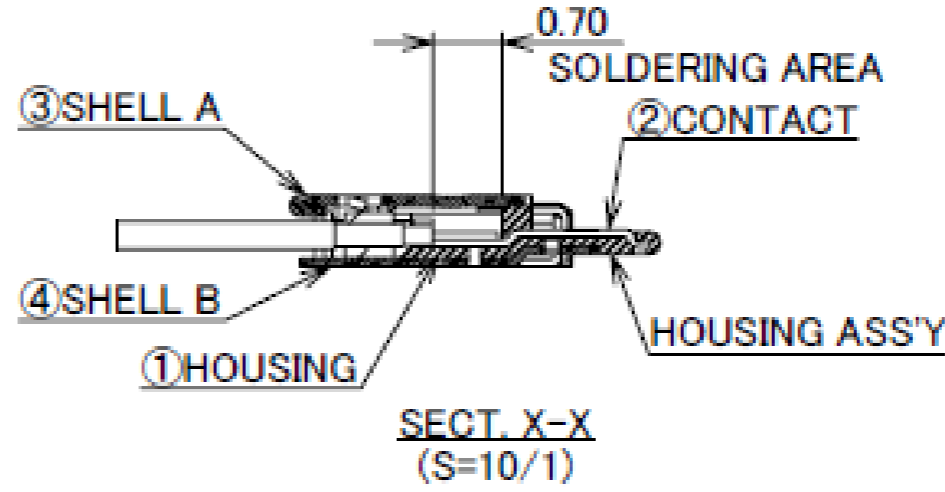
P/N : 20472-***T-10



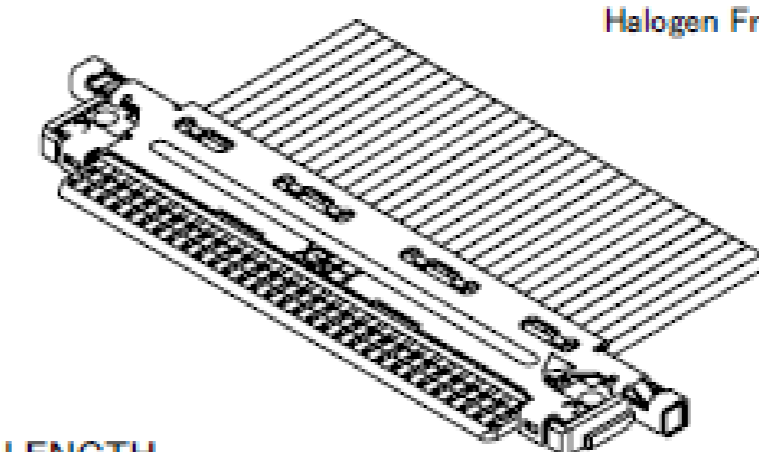
WITHOUT LATCH BAR



MATING CONDITION

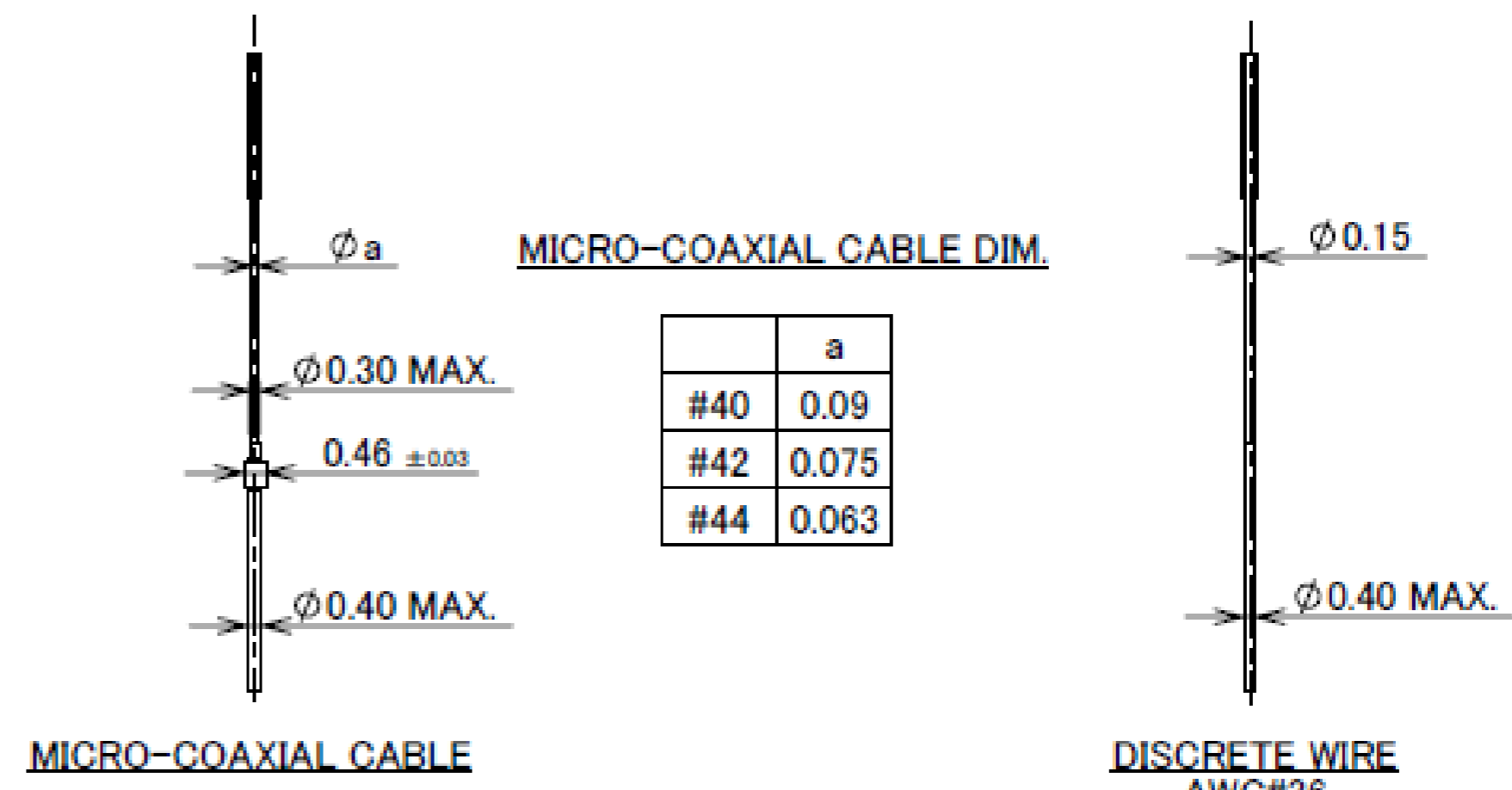
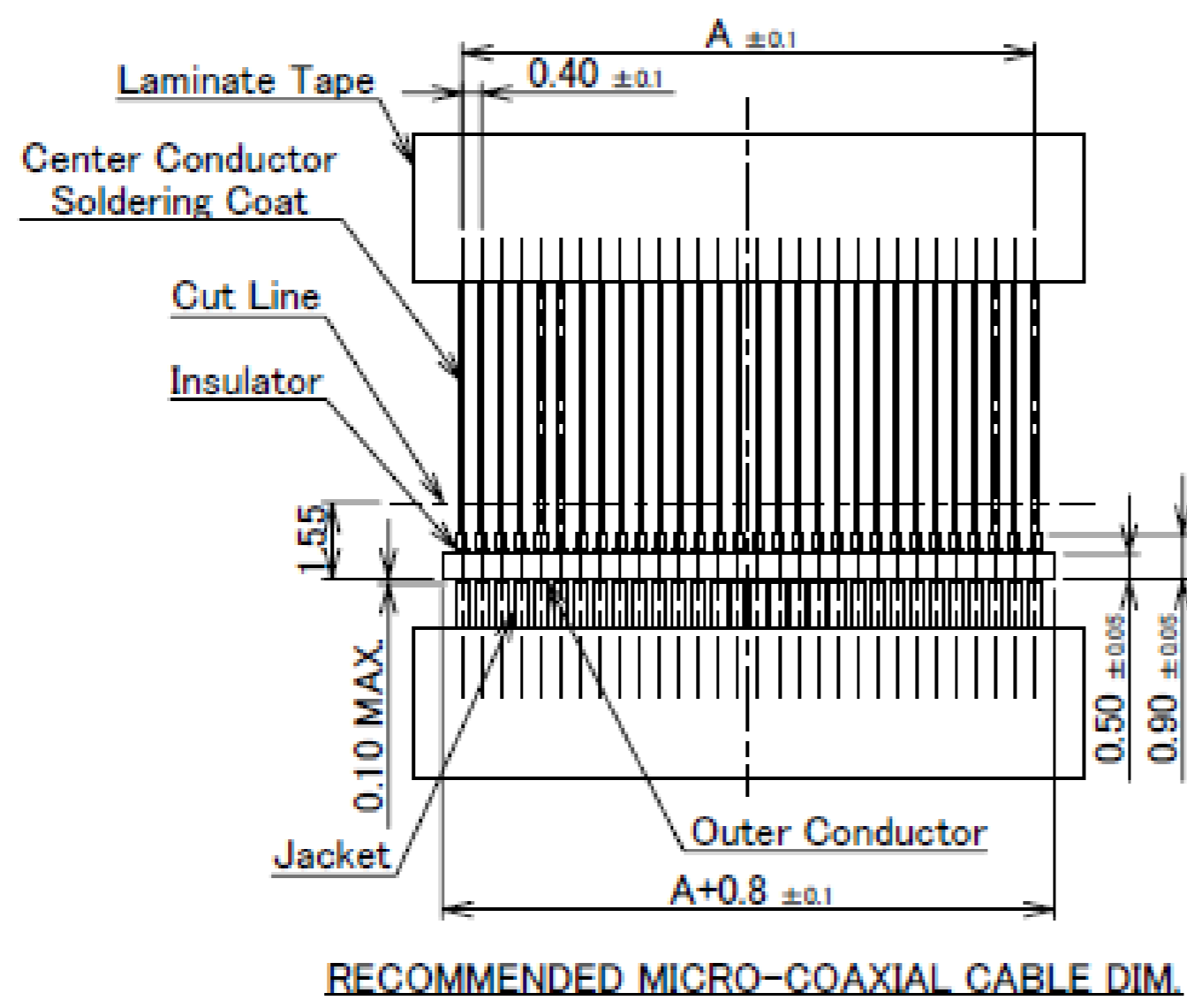


RECOMMENDED CABLE BENDING DIMENSIONS



Plug for Cable Assembly

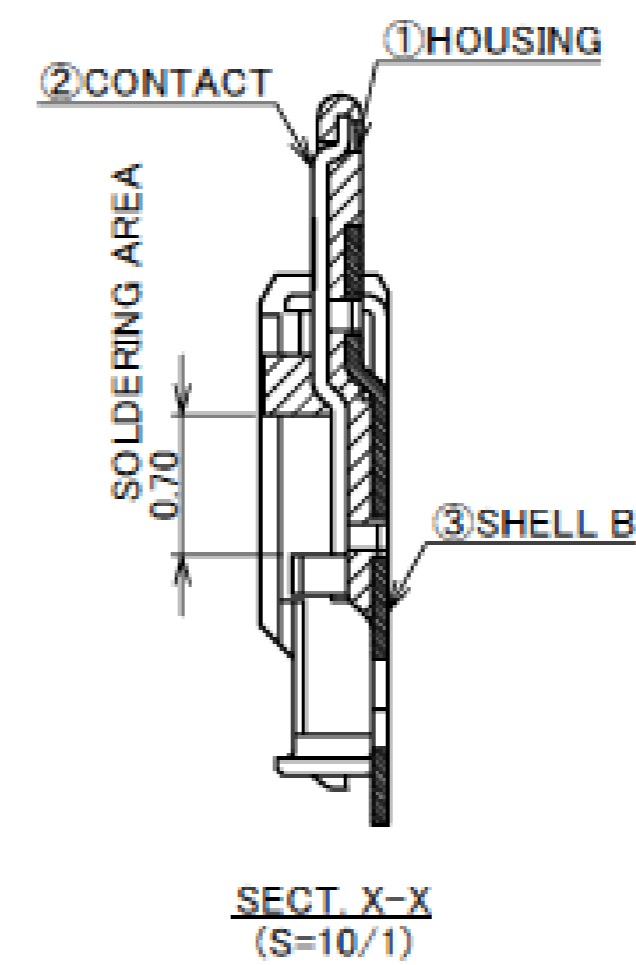
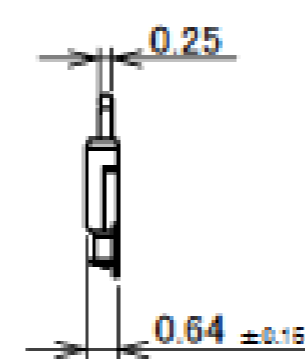
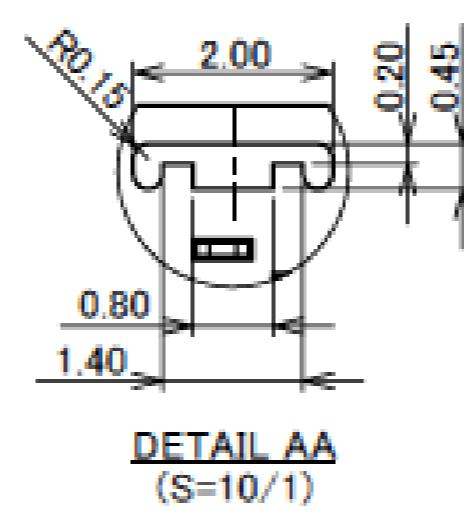
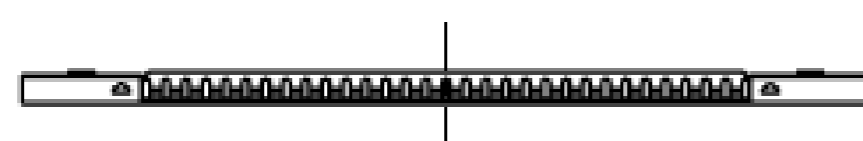
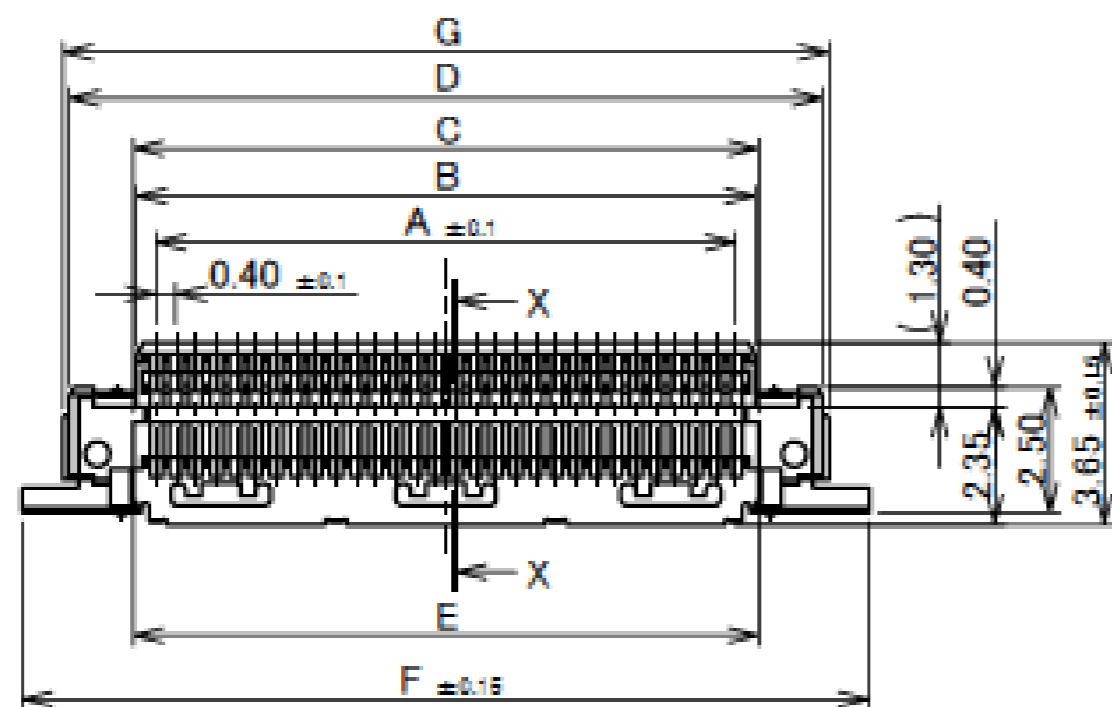
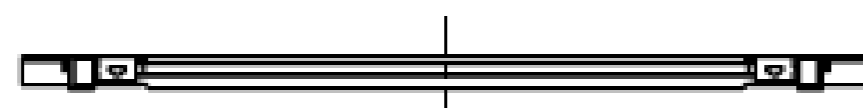
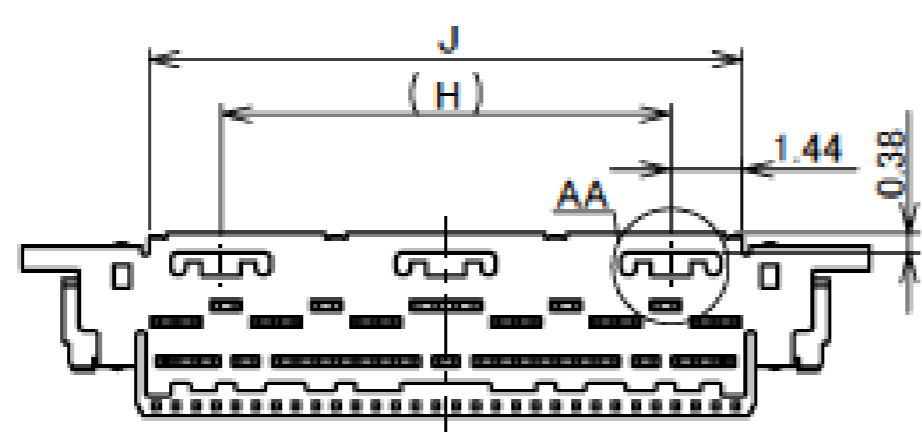
PART NO.	POS.	A
20472-#30T-10	30	11.60
20472-#40T-10	40	15.60



Rev.13

Plug Housing Assembly

Recommended P/N		20473-0**T-10									
PART NO.	POS.	A	B	C	D	E	F	G	H	J	
20473-030T-10	30	11.60	12.40	12.65	15.08	12.65	16.94	15.34	9.00	11.88	
20473-040T-10	40	15.60	16.40	16.65	19.08	16.65	20.94	19.34	13.00	15.88	



NOTES
 1. THIS PART IS ASSEMBLED WITH SHELL A(P/N 2618-0**1)
 AND LATCH BAR(P/N 2619-***0) AFTER SOLDERED THE CABLE,
 AND IT BECOMES P/N 20472-0**T-10

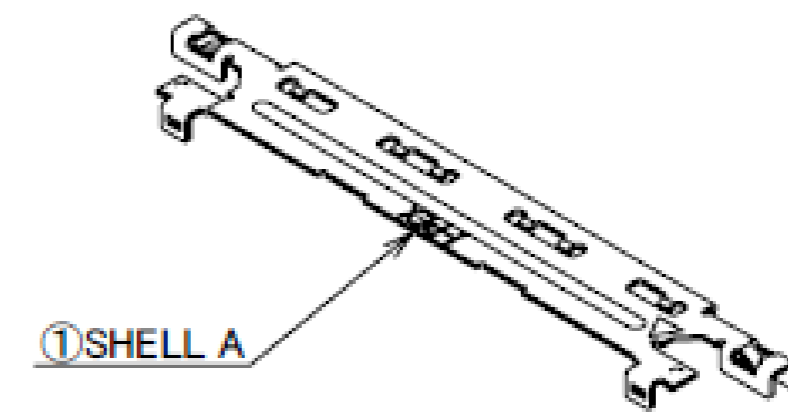
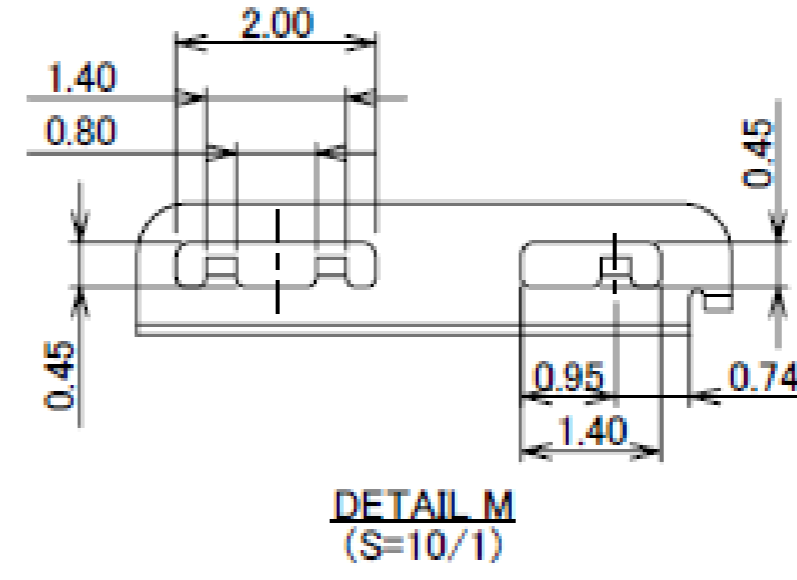
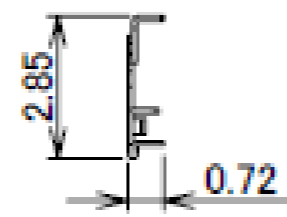
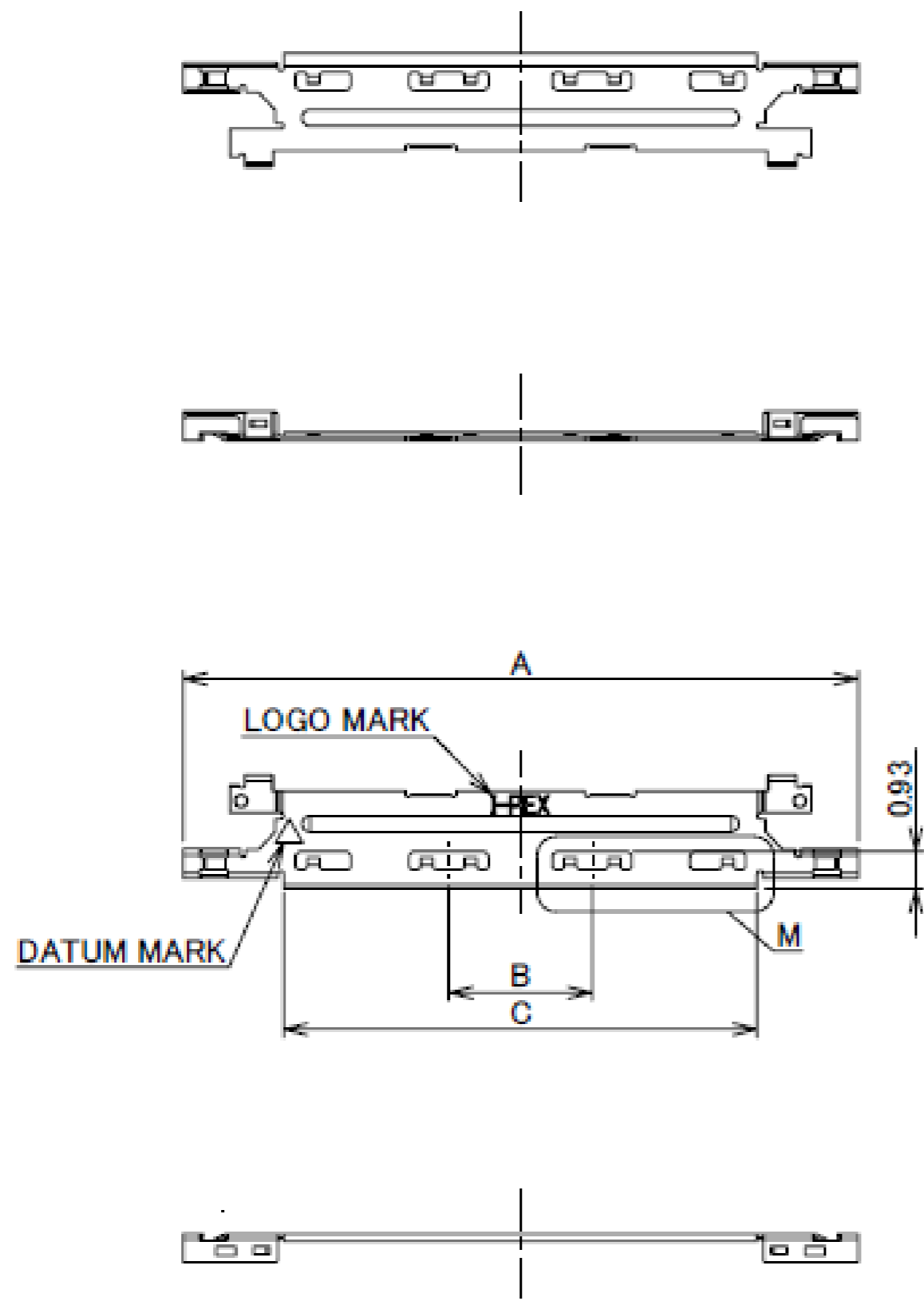
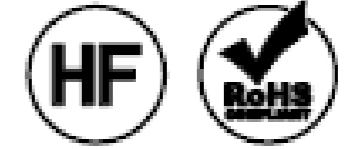
NO.	DISCRIPTION	MATERIAL	FINISH . REMARKS
3	SHELL B	PHOSPHOR BRONZE	Au 0.05 μm MIN. OVER Ni 1.00 μm MIN.
2	CONTACT	PHOSPHOR BRONZE	Au 0.1 μm MIN. OVER Ni 1.00 μm MIN.
1	HOUSING	LCP	UL94V-0. BLACK

Rev.6

Plug Shell-A

Recommended P/N		2618-0**1		
PART NO.	POS.	A	B	C
2618-0301	30	16.94	3.60	11.88
2618-0401	40	20.94	5.60	15.88

P/N:2618-0**1
POS.



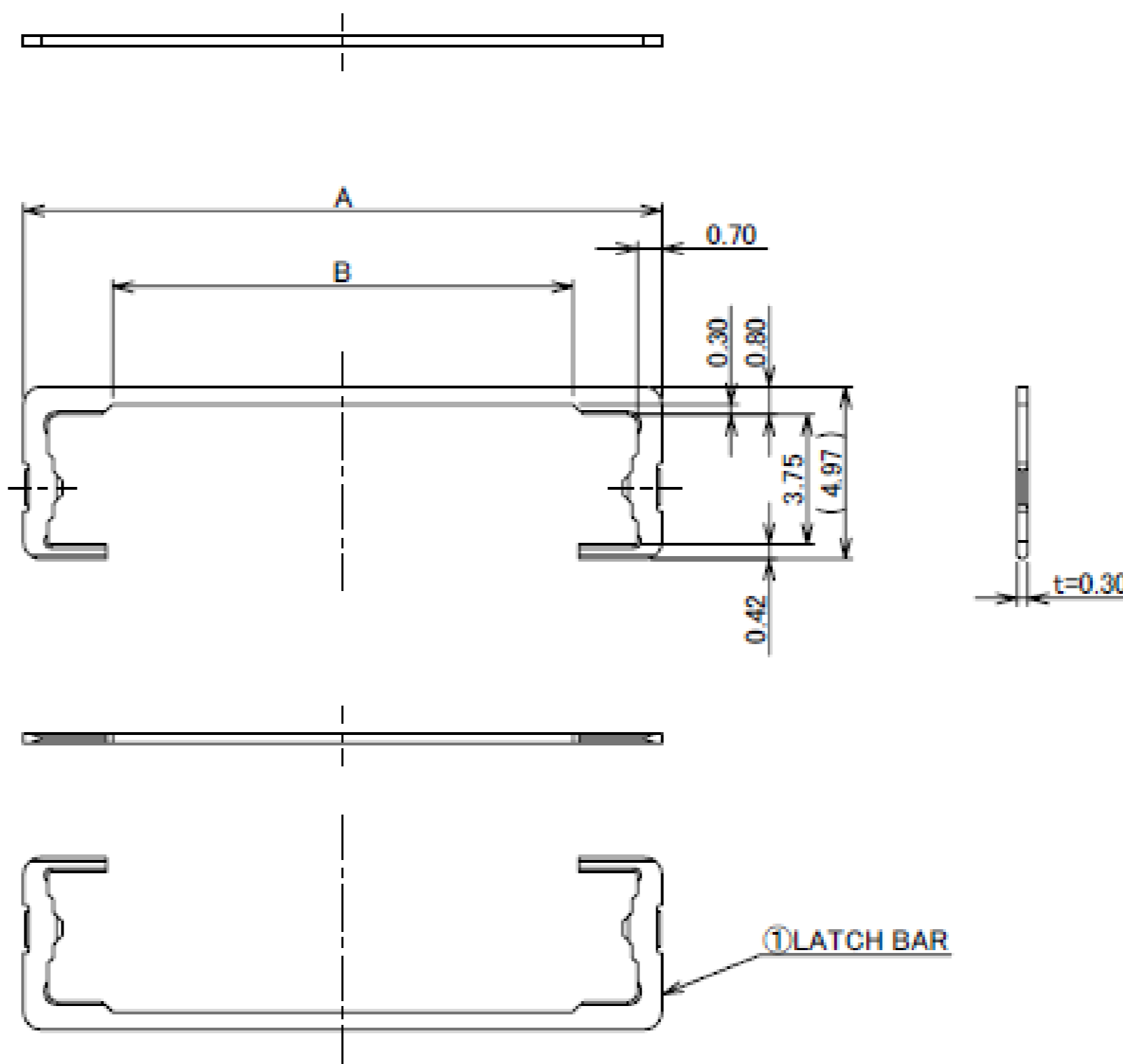
NO.	DISCRIPTION	MATERIAL	FINISH , REMARKS
1	SHELL A	PHOSPHOR BRONZE	Au 0.05 μm MIN. OVER Ni 1.00 μm MIN.

Rev.5

Plug Latch Bar

Recommended P/N		2619-0**0	
PART NO.	POS.	A	B
2619-0300	30	18.44	13.00
2619-0400	40	22.44	17.00

2619-0**0
POS.

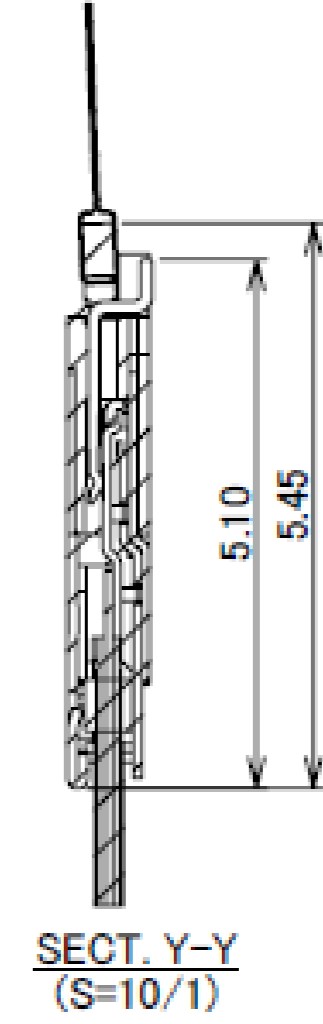
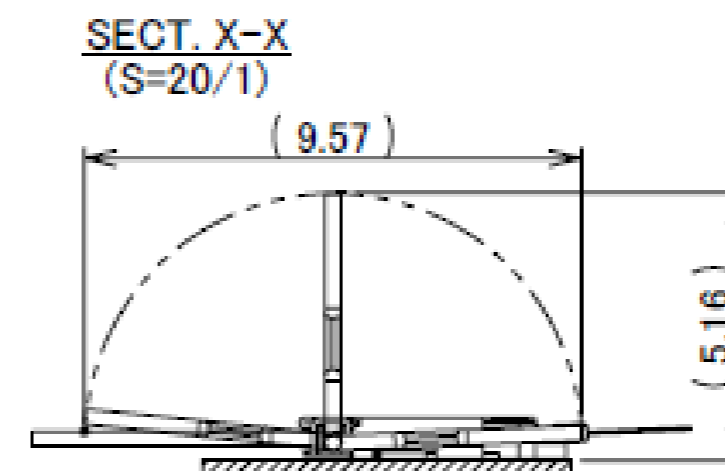
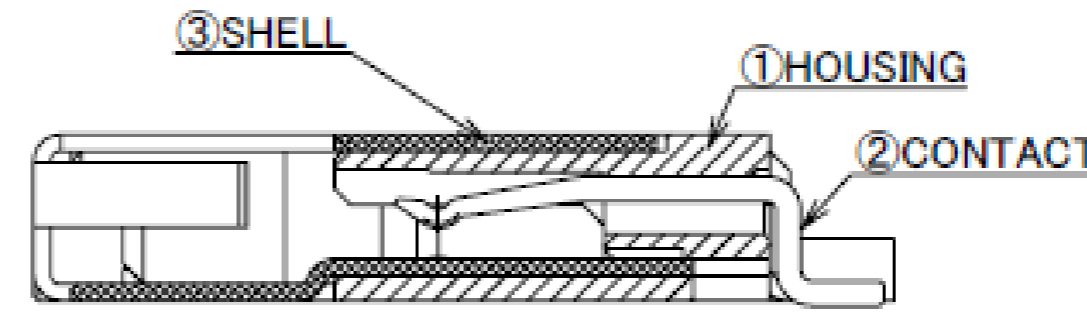
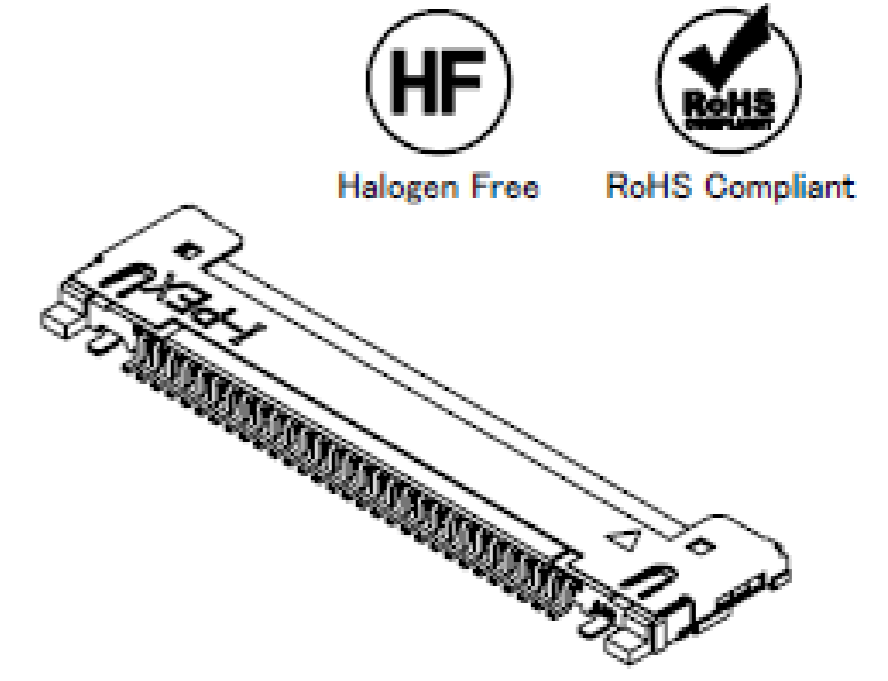
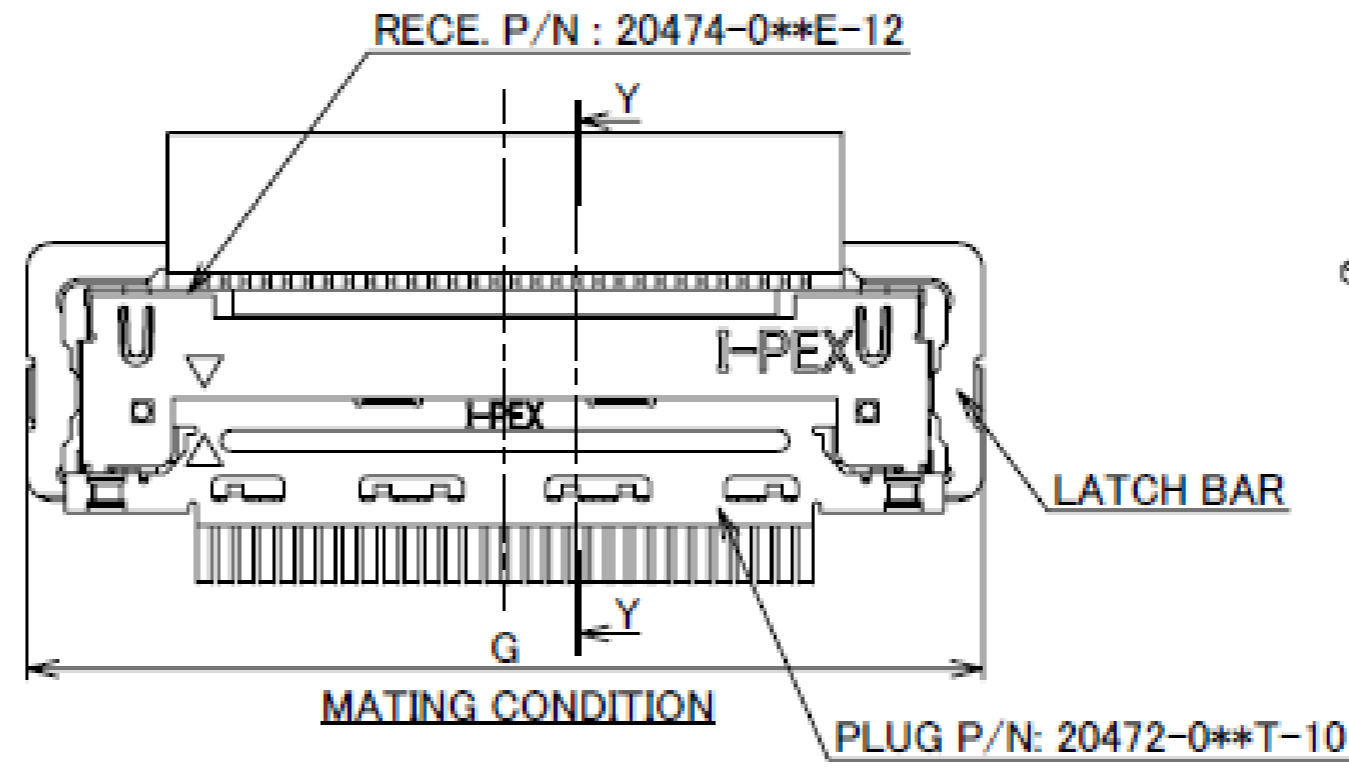
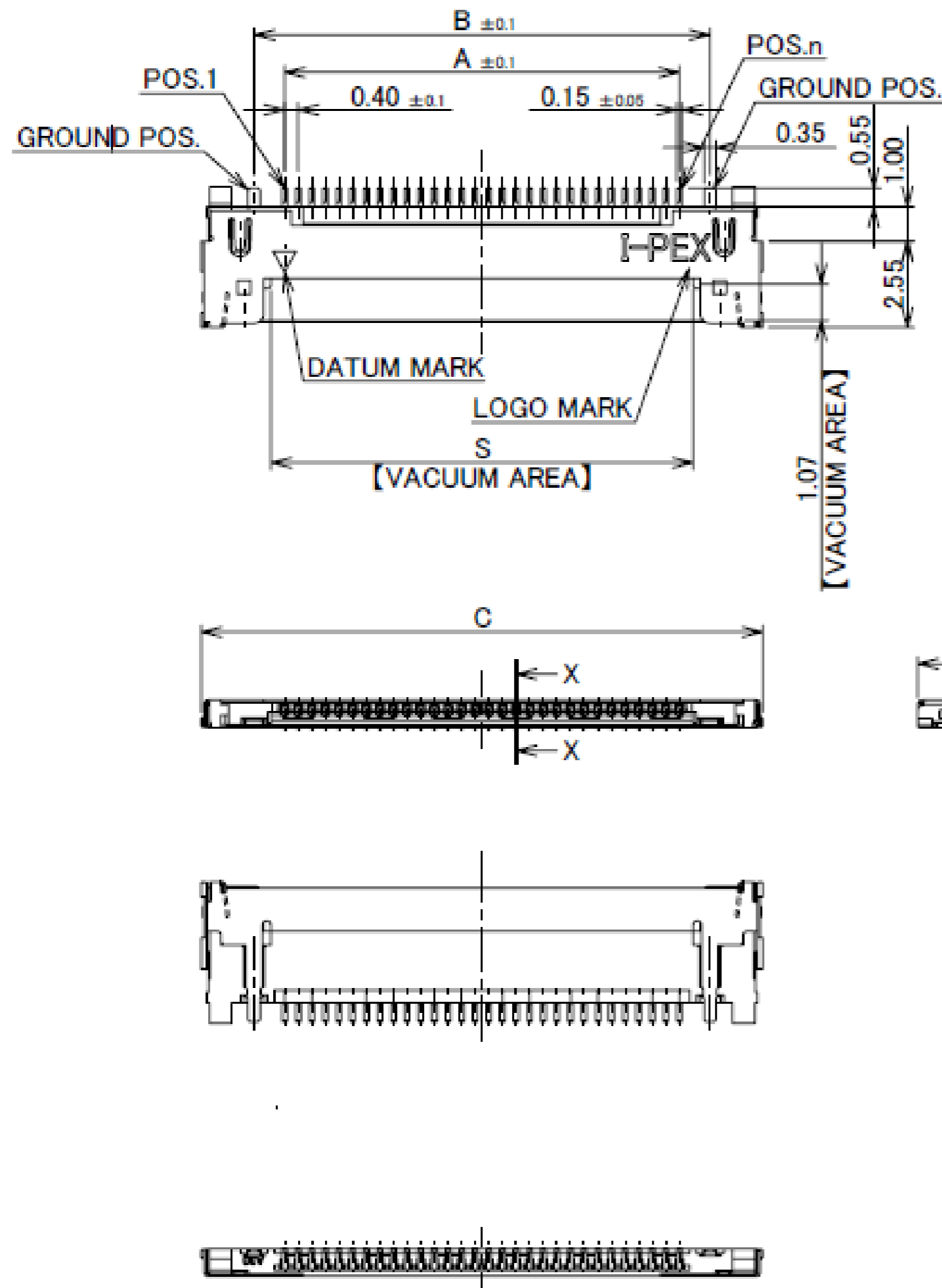


NO.	DISCRIPTION	MATERIAL	FINISH , REMARKS
1	LATCH BAR	SUS	-

Rev.7

Receptacle Assembly

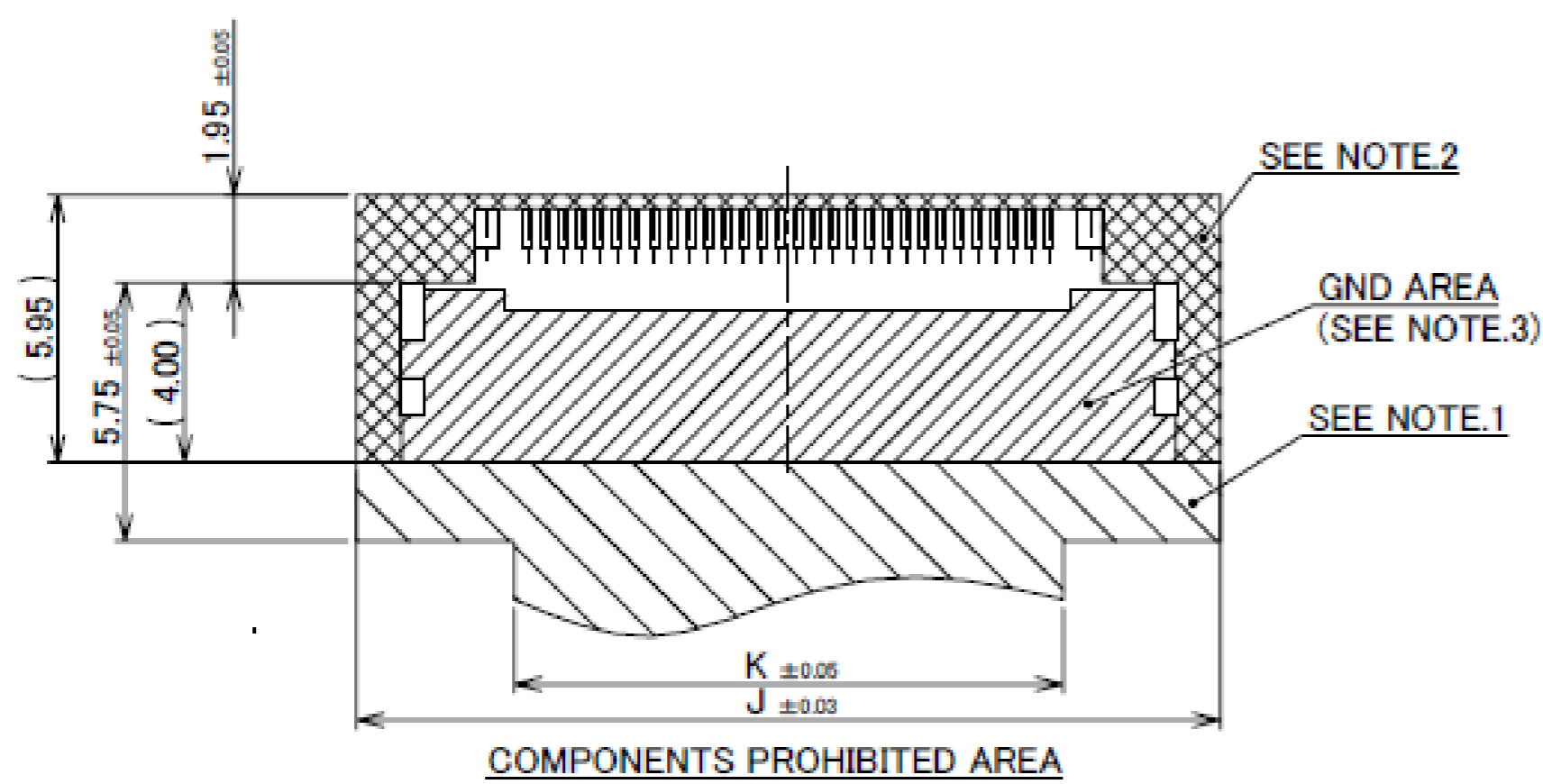
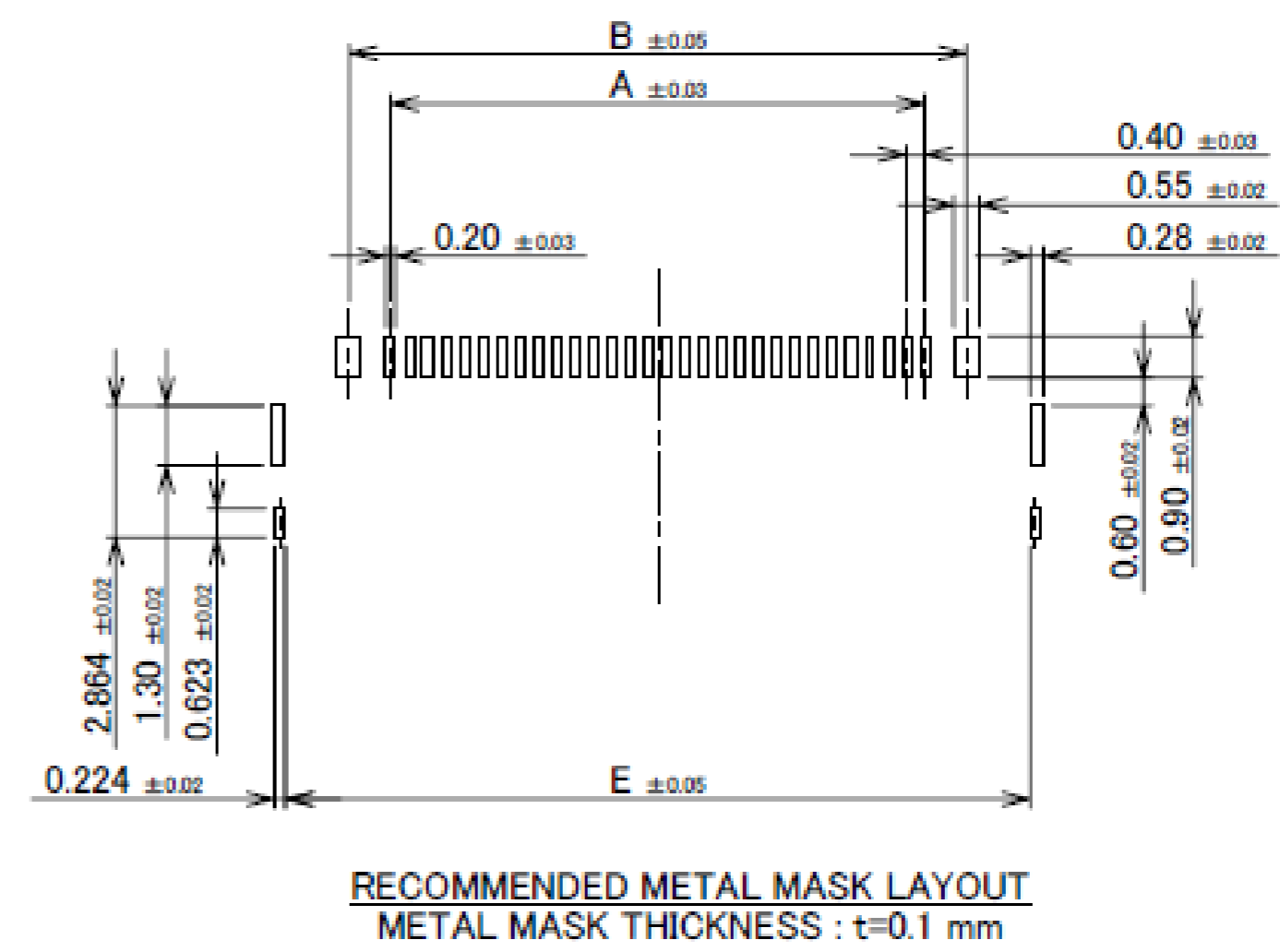
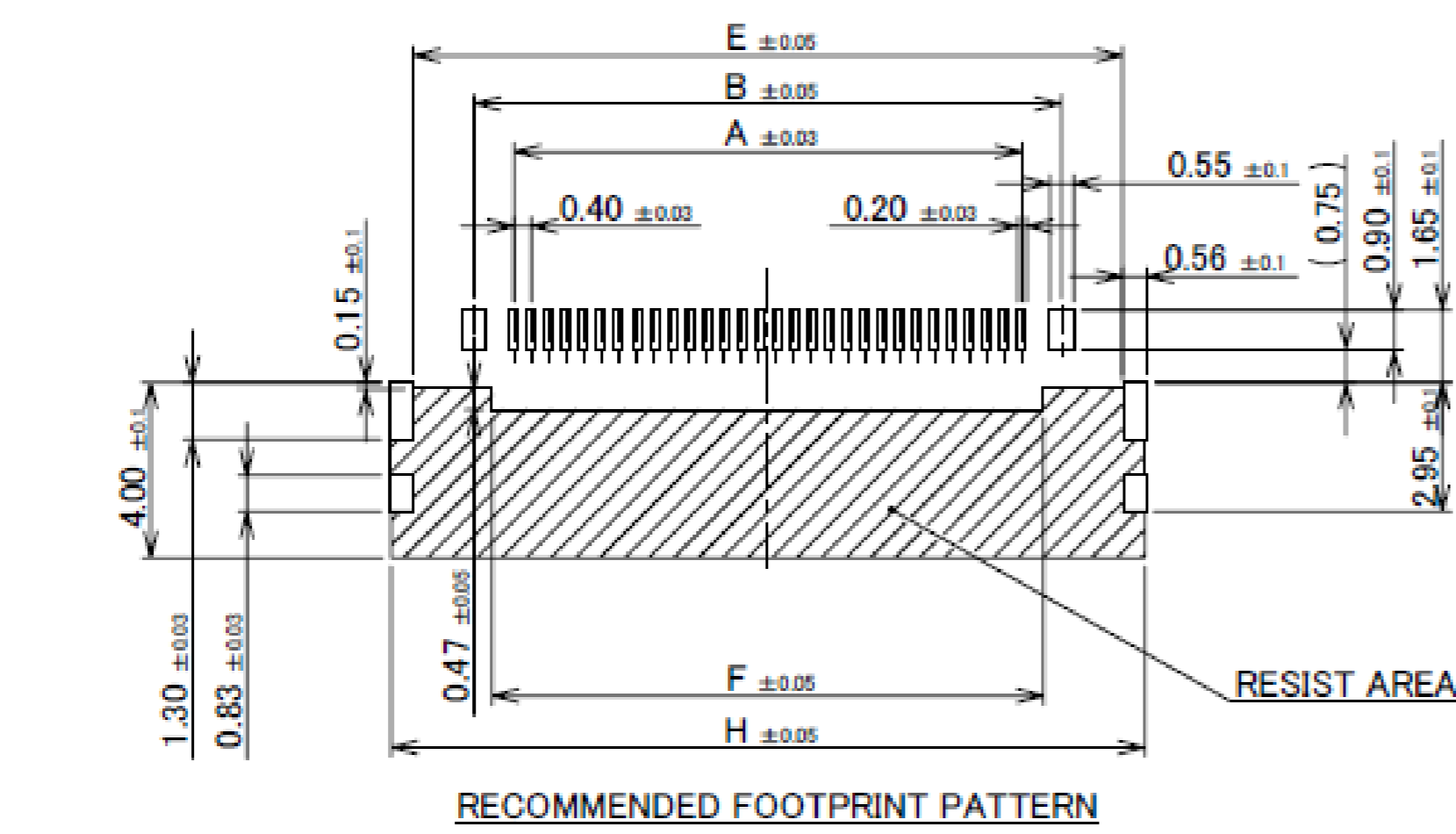
Recommended P/N		20474-0**E-12				
PART NO.	POS.	A	B	C	G	S
20474-030E-12	30	11.60	13.40	16.50	18.44	12.40
20474-040E-12	40	15.60	17.40	20.50	22.44	16.40



NO.	DISCRIPTION	MATERIAL	FINISH . REMARKS
3	SHELL	PHOSPHOR BRONZE	Au 0.05 μm MIN. OVER Ni 1.00 μm MIN.
2	CONTACT	PHOSPHOR BRONZE	CONTACT AREA : Au 0.1 μm MIN. OVER Ni 1.00 μm MIN. SOLDERING AREA : Au 0.03 μm MIN. OVER Ni 1.00 μm MIN.
1	HOUSING	LCP	UL94V-0, BLACK

Rev.13

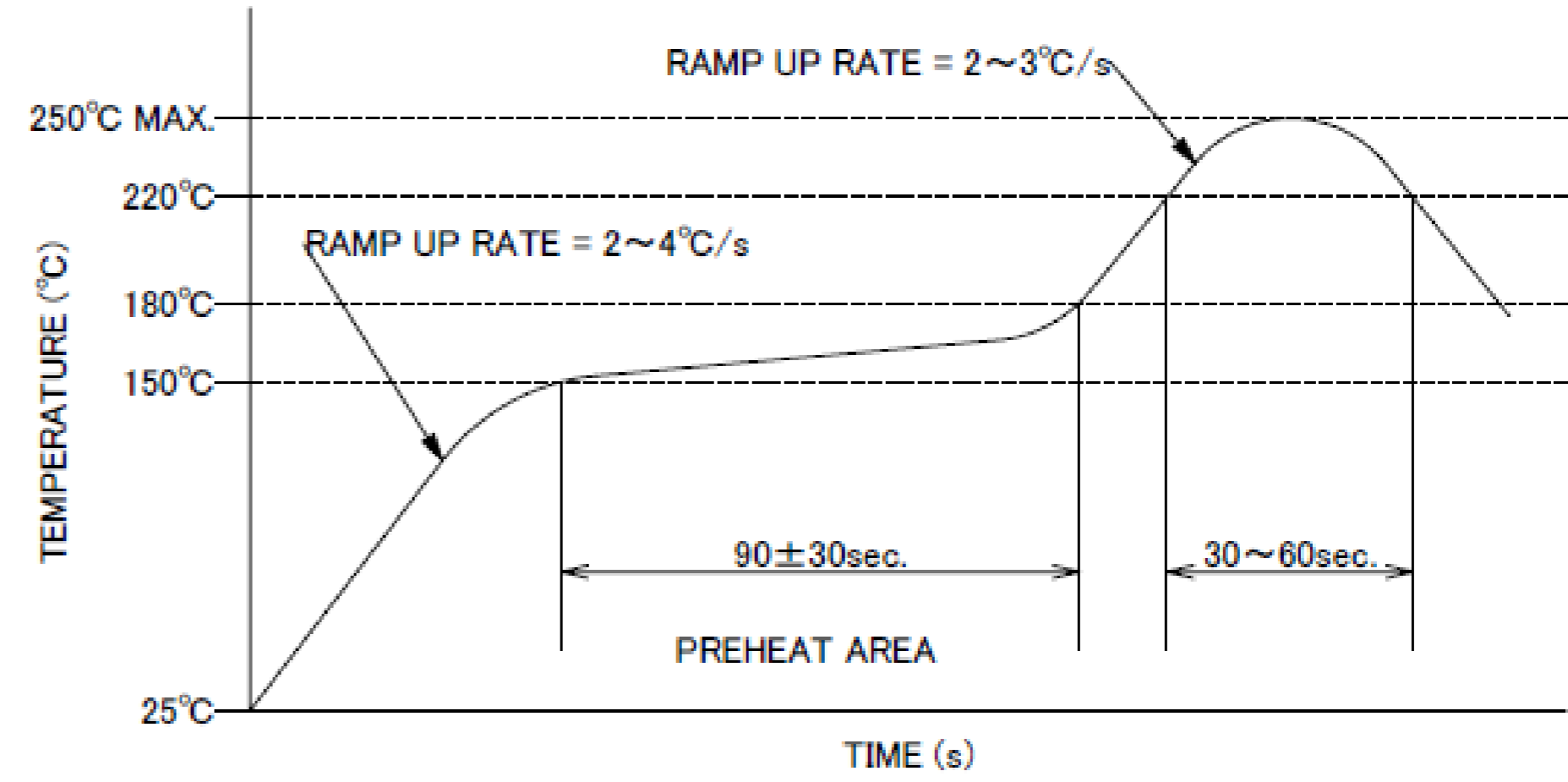
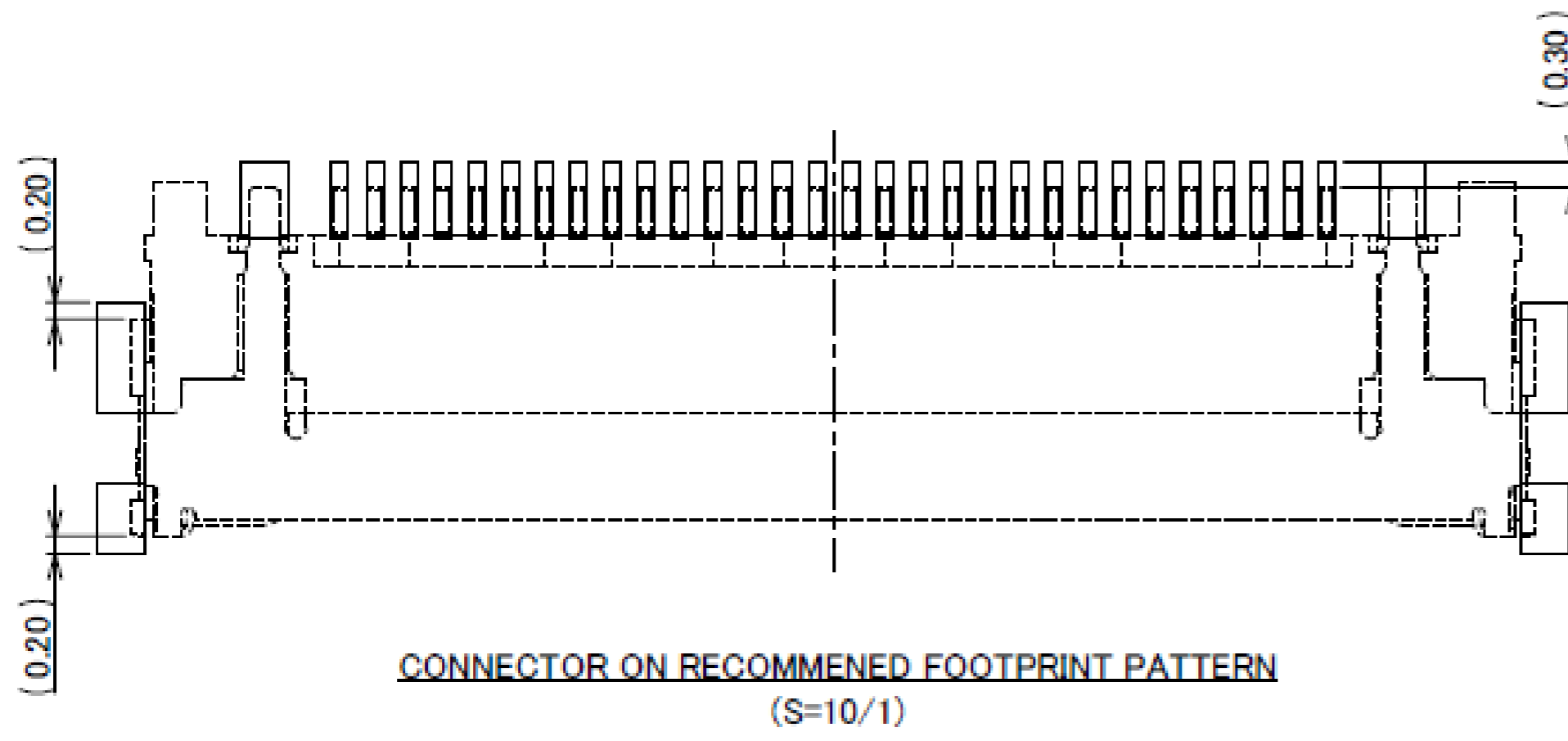
PART NO.	POS.	A	B	E	F	H	J	K
20474-030E-12	30	11.60	13.40	16.18	12.59	17.20	19.20	12.20
20474-040E-12	40	15.60	17.40	20.18	16.59	21.20	23.20	16.20



- NOTES.
- DO NOT MOUNT ANOTHER COMPONENT IN THIS AREA.
 - IN CASE OF PLUG WITH LATCH BAR(20472-0**T-10), DO NOT MOUNT ANOTHER COMPONENT IN THIS AREA.
 - SODLER RESIST MUST BE APPLIED TO THIS AREA.

Rev.13

Receptacle Assembly



Rev.13

ITEMS	SPECIFICATION
APPLICABLE CABLE	MICRO-COAXIAL CABLE : AWG# 40, 42, 44 DISCRETE WIRE : AWG# 36
RATING VOLTAGE	100V AC (PER CONTACT PIN)
RATING AMPERAGE (FOR CONTACT)	0.1A AC/DC [AWG#44] PER CONTACT PIN 0.24A AC/DC [AWG#42] PER CONTACT PIN 0.3A AC/DC [AWG#40] PER CONTACT PIN 0.8A AC/DC [AWG#36] PER CONTACT PIN
OPERATING TEMPERATURE	233~358K(-40°C~+85°C)
OPERATING HUMIDITY	85% MAX.(NON-CONDENSING)
CONTACT RESISTANCE	INITIAL : 275mohm MAX. (AWG#36) / AFTER TEST : \triangle 40mohm MAX. 600mohm MAX. (AWG#40) 700mohm MAX. (AWG#42) 1080mohm MAX. (AWG#44)
GROUND SHELL RESISTANCE	INITIAL : 50mohm MAX. / AFTER TEST : \triangle 40mohm MAX.
INSULATION RESISTANCE	INITIAL : 1000Mohm MIN. / AFTER TEST : 500Mohm MIN.
DIELECTRIC WITHSTANDING VOLTAGE	AC250V 1min
DURABILITY	30 CYCLES
MATING FORCE (INITIAL / AFTER TEST)	30P : 10N MAX. 40P : 12N MAX.
UNMATING FORCE (INITIAL / AFTER TEST)	30P : 3.0N MIN. 40P : 4.0N MIN.
CABLE RETENTION FORCE	30P : 14.70N MIN. 40P : 19.60N MIN.
PRODUCT SPECIFICATION	PRS-1421
TEST REPORT	TR-08030
INSTRUCTION MANUAL	HIM-09002
ASSEMBLY MANUAL	ASM-09002
APPEARANCE CRITERIA No.	QLS-A***


Rev.13

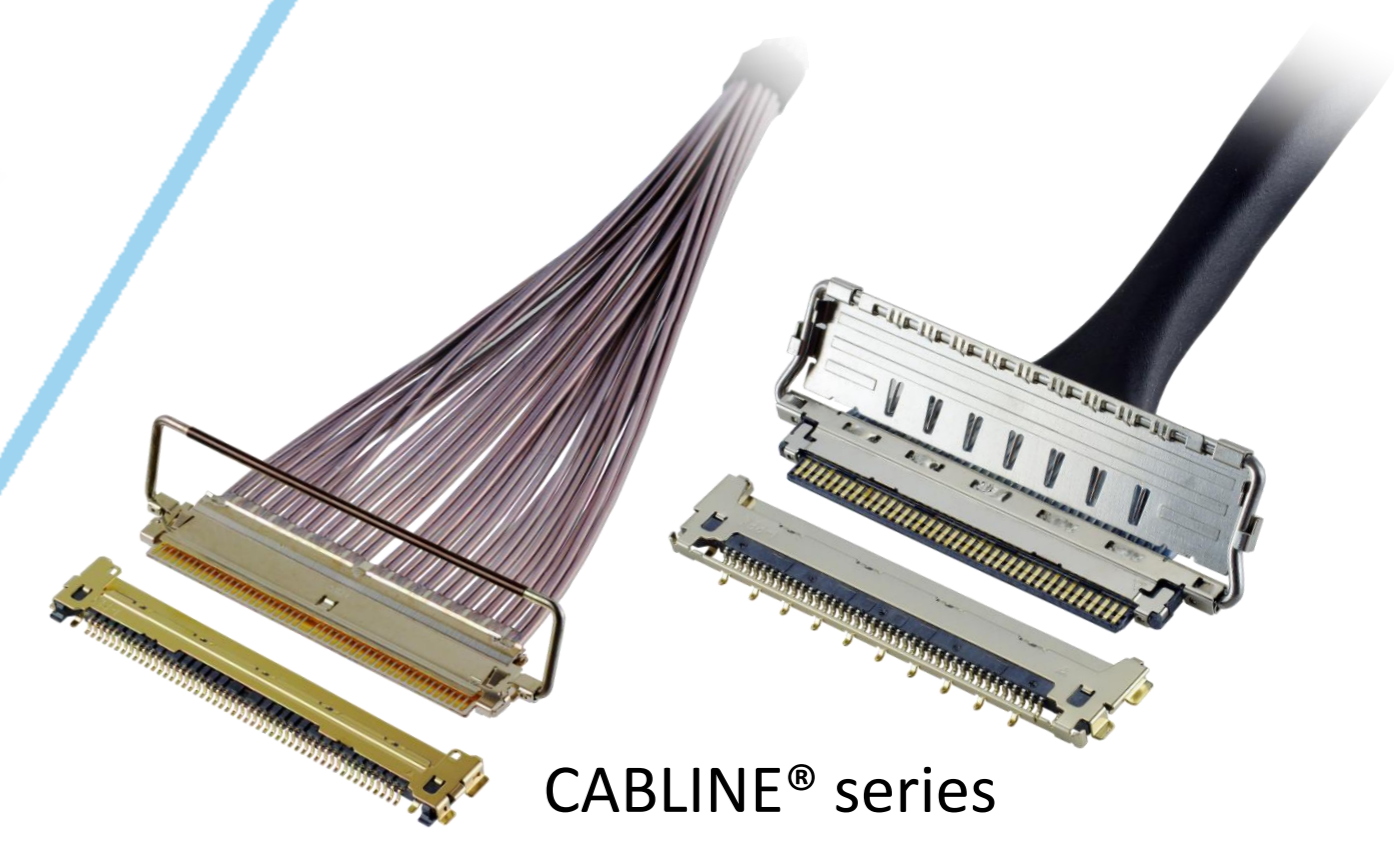
Custom Connectors Available

 RF Connector

MHF® series



 CABLINE® series
Micro-coaxial/Twinax/
Discrete Wire Connector



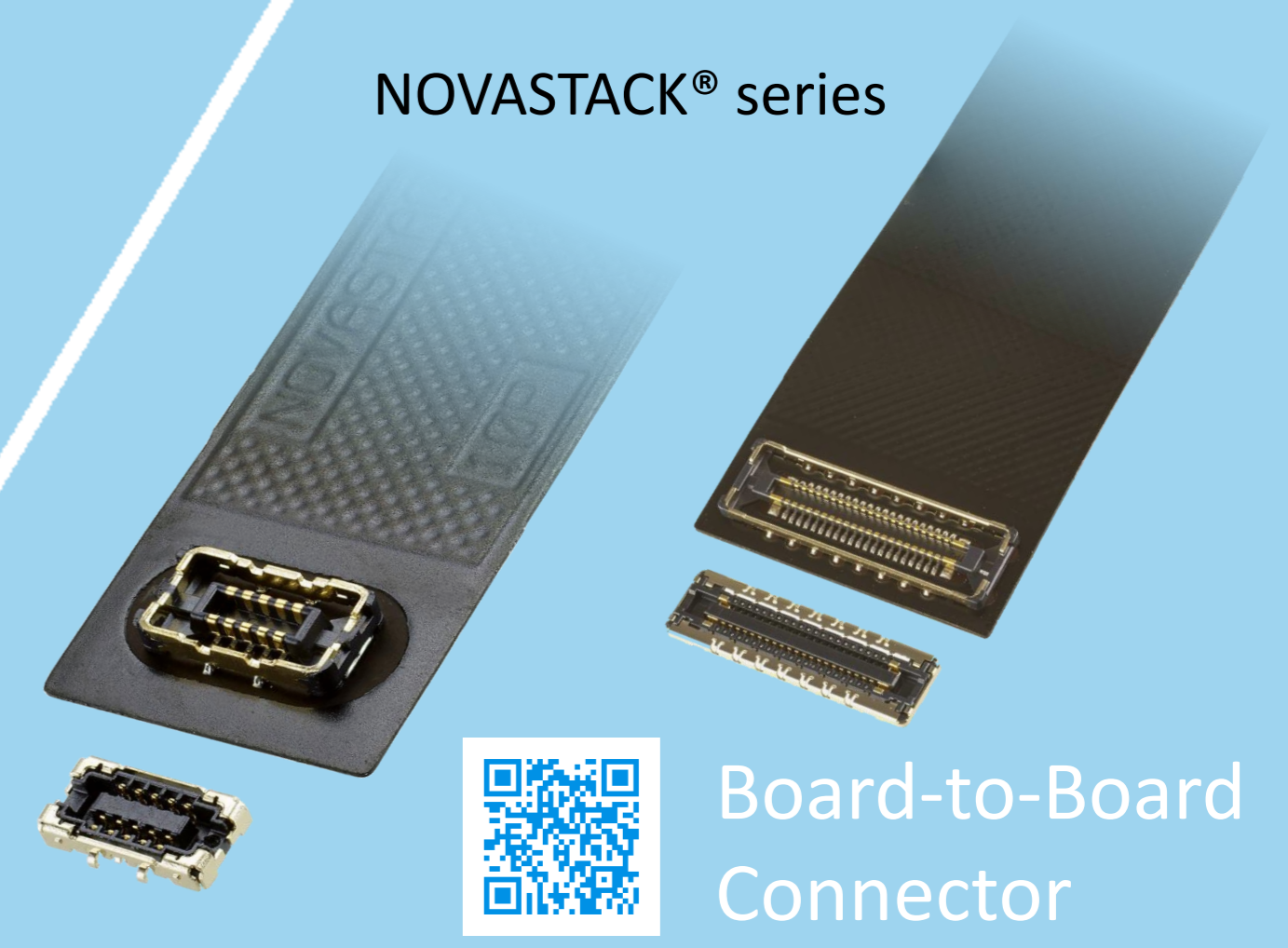
 Optical Module

LIGHTPASS® series



NOVASTACK® series

 Board-to-Board Connector



 Power Connector/
Terminal

AP series

ISH® series



MINIFLEX® series

EVAFLEX® series



 FPC FFC Connector

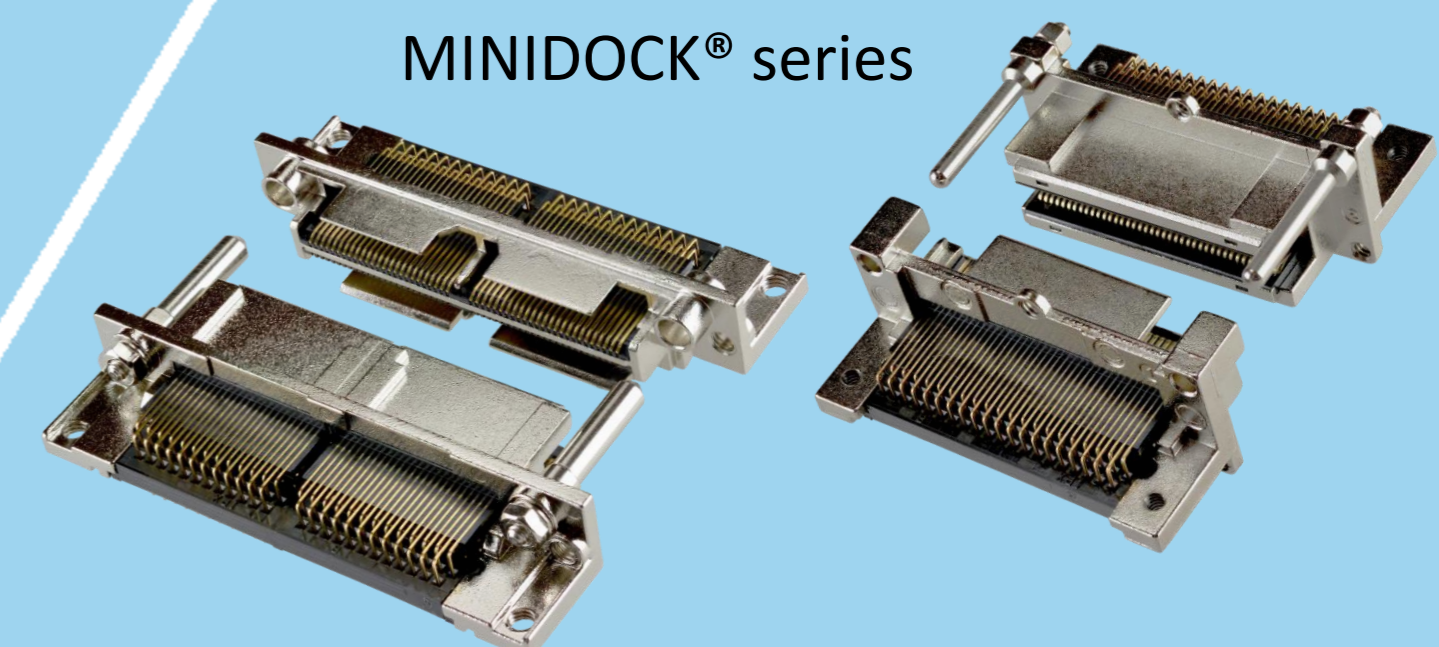


Inquiry



MINIDOCK® series

 I/O Connector



I-PEX, MHF, CABLINE, LIGHTPASS, NOVASTACK, ISH, IARPB, MINIFLEX, EVAFLEX, MINIDOCKS and ZenShield are registered trademarks of I-PEX Inc. Please note that the contents in the catalog might be changed without prior notification. I-PEX Inc. assumes no responsibility for any inaccuracies or obligation to update information on these documents. Please be sure to read and understand the latest "Precautions for Use" and "Instruction Manual" before you use our products. We shall not be responsible for any defects, damages or troubles in case you use our products without following the precautions for use. Please feel free to contact our sales representatives when you use our products for any applications that require very high reliability and safety, or that relate to human life (ex. nuclear power control, aerospace, transportation, medical equipment, safety equipment etc.).

Contact your sales representative or more detailed information.

www.i-pex.com



I-PEX

© I-PEX Inc. 2024
All rights reserved