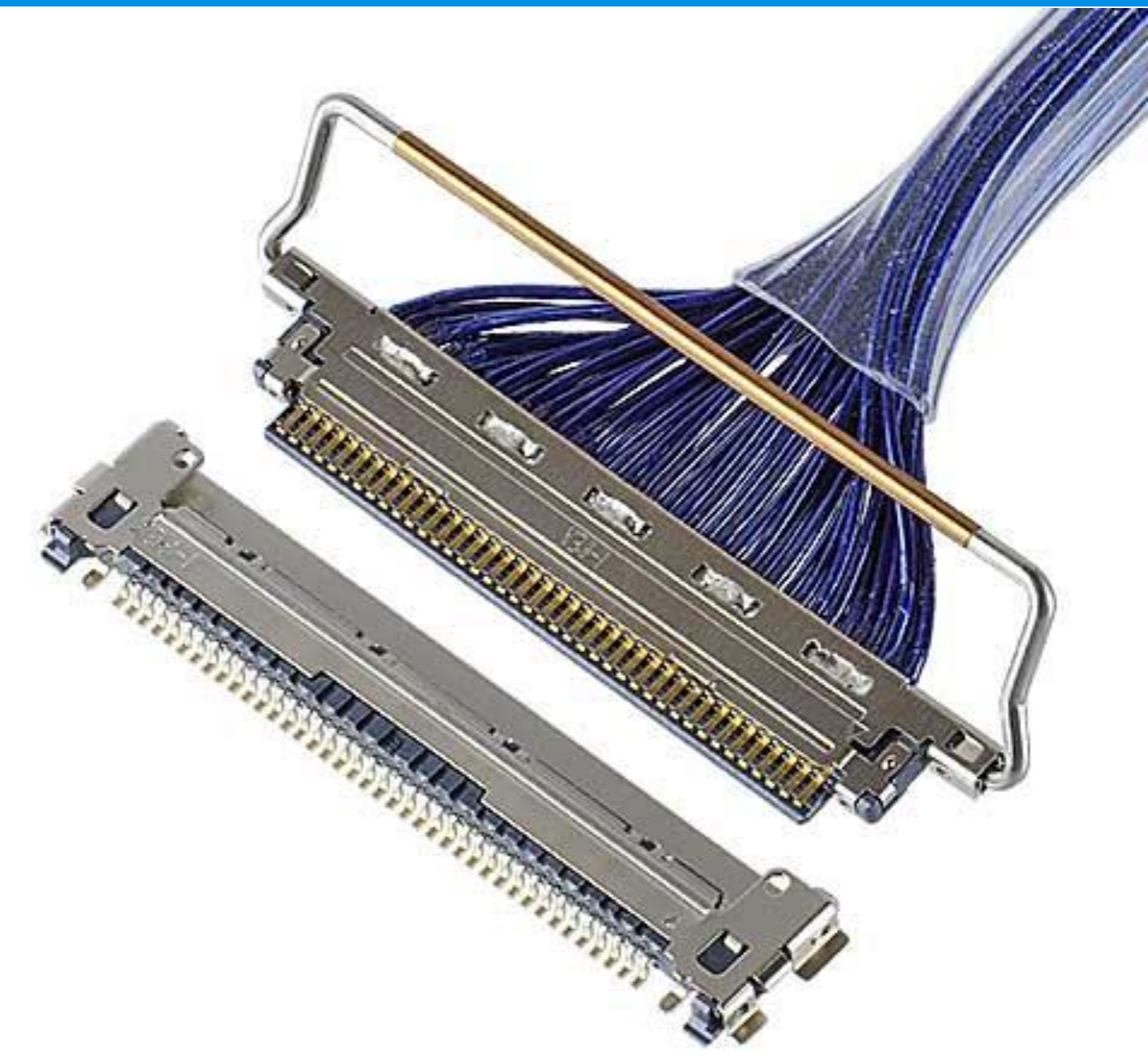


CABLINE®-CA

High-data-rate transfer, mechanical lock with shielding and multi-point ground, 0.4 mm pitch, Horizontal mating type micro-coaxial connector

*For higher data rate up to 64 Gbps PAM4, please review [CABLINE-CAP harness solution](#) that mates to current CABLINE-CA receptacle(20525-050E-02).



Product Specifications:

Mating type	Horizontal	
Board Pitch (mm)	0.4	
Wiping Length (mm)	0.54	
Mated size (mm)	Height	1.0 +/- 0.1
	Width	Formula: 6.95 + (0.4*p)
	Depth	5.73
Pin Counts	Range	Up to 60
	Available	10, 12, 20, 30, 40, 50, 60

Applicable Cable Size:

Maximum O.D. (mm)	0.4
Micro-Coaxial for Signal (AWG)	45 ohm: #38 or smaller 50 ohm: #40 or smaller
Twinax (AWG)	#40
Discrete (AWG)	#34 or smaller

Applicable Standards (Reference Only):

USB4 Gen3/Thunderbolt 4 (20 Gbps/lane), PCIe Gen 4 (16 GT/s), USB 3.1 Gen 2 (10 Gbps), eDP HBR 3 (8.1 Gbps)

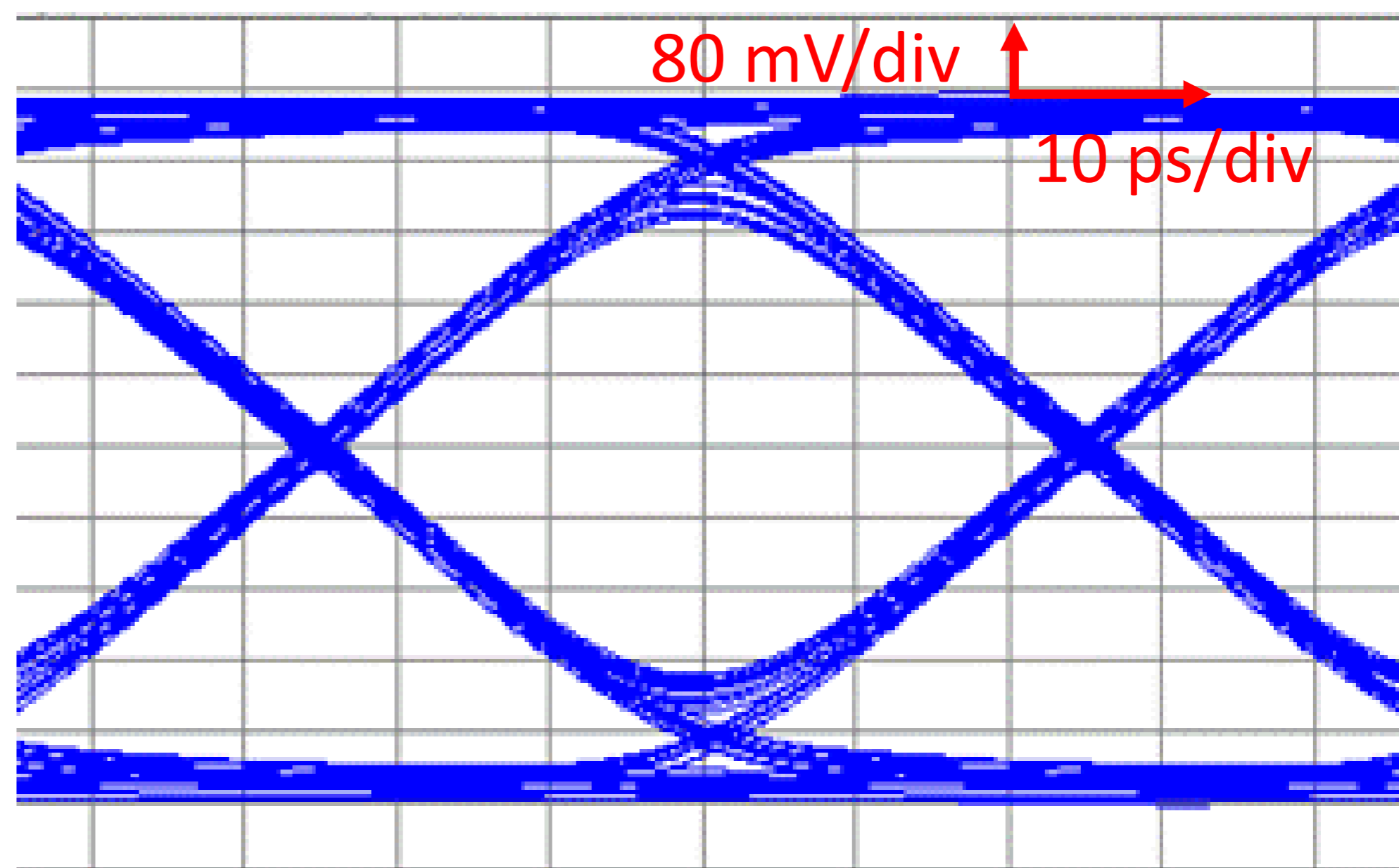
* Please inquire for pin counts not listed or outside of the pin count range.

High-Data-Rate Transfer, Ideal for USB4 Gen3/Thunderbolt 4 (20 Gbps/lane) Applications

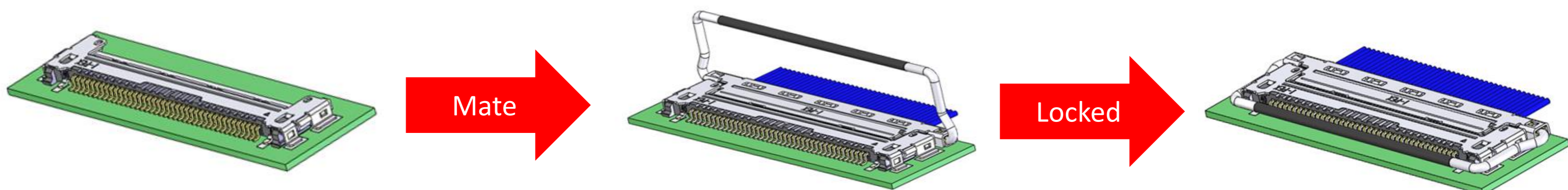
USB4 Gen3/Thunderbolt 4 (20 Gbps/lane)

Eye pattern (Differential)
Bit rate : 20 Gbps
Rise time : 30 ps (10-90%)
Input voltage : 800 mVp-p

*Please contact I-PEX Connectors for more test details.

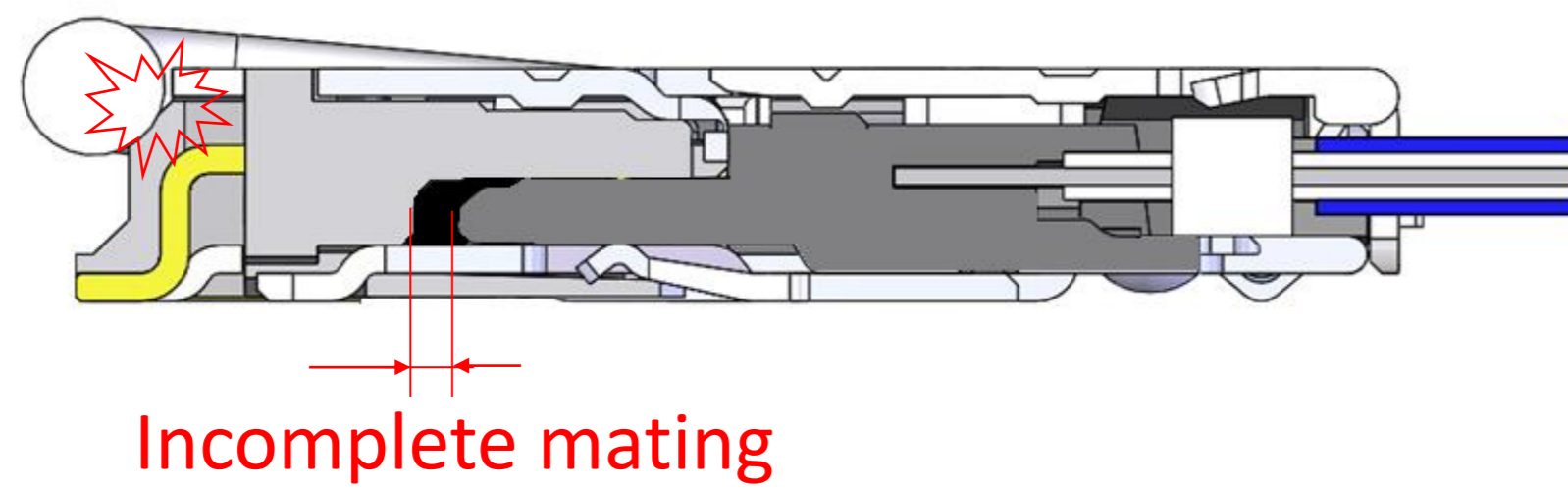


Mechanical Locking Bar Prevents Incomplete Mating and Back-out/Un-mating

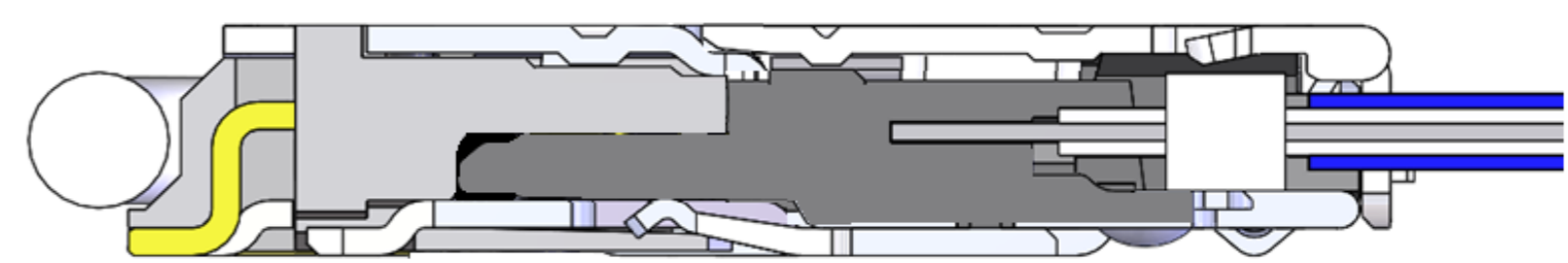


Mechanical locking bar can be locked only when plug is fully mated to receptacle.

Interference



Incomplete mating

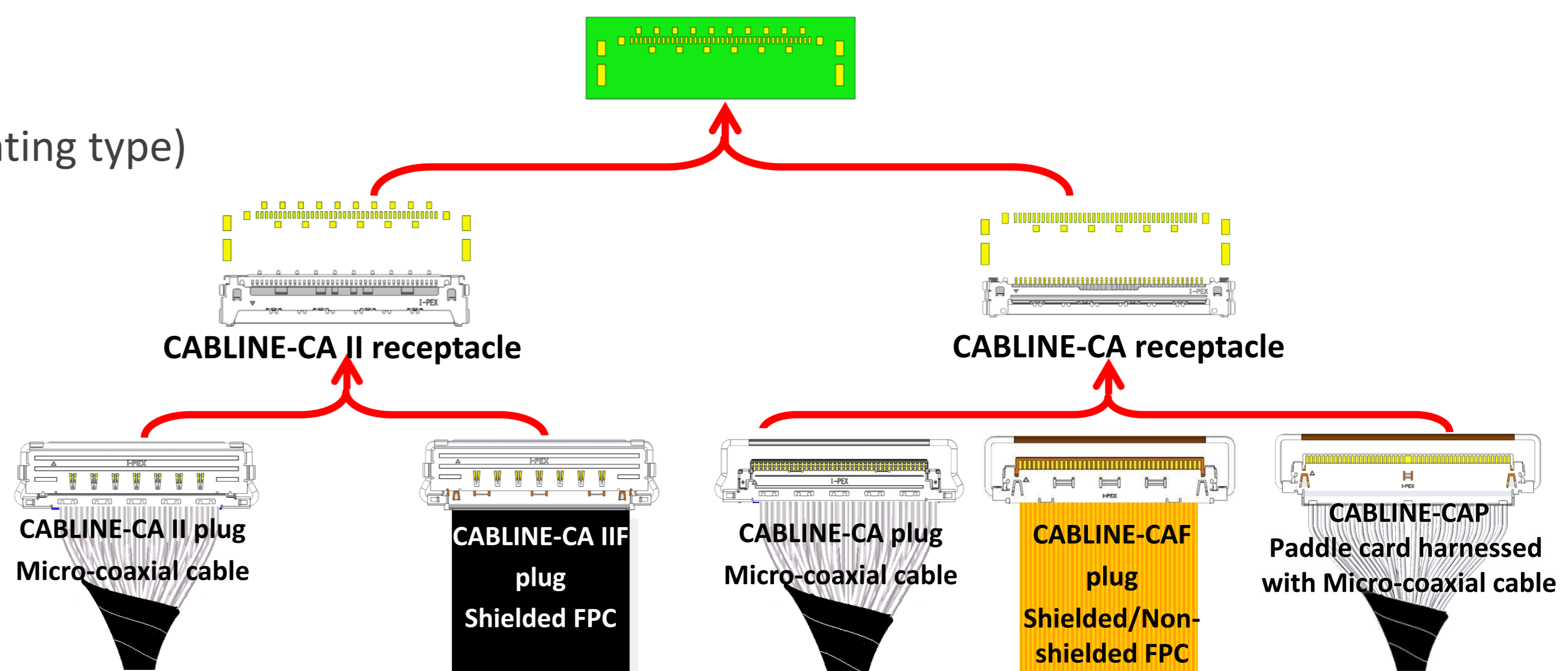


Complete mating

Multiple Connector Options with CABLINE®-CA Series

CABLINE-CA series (0.4 mm pitch, horizontal mating type)

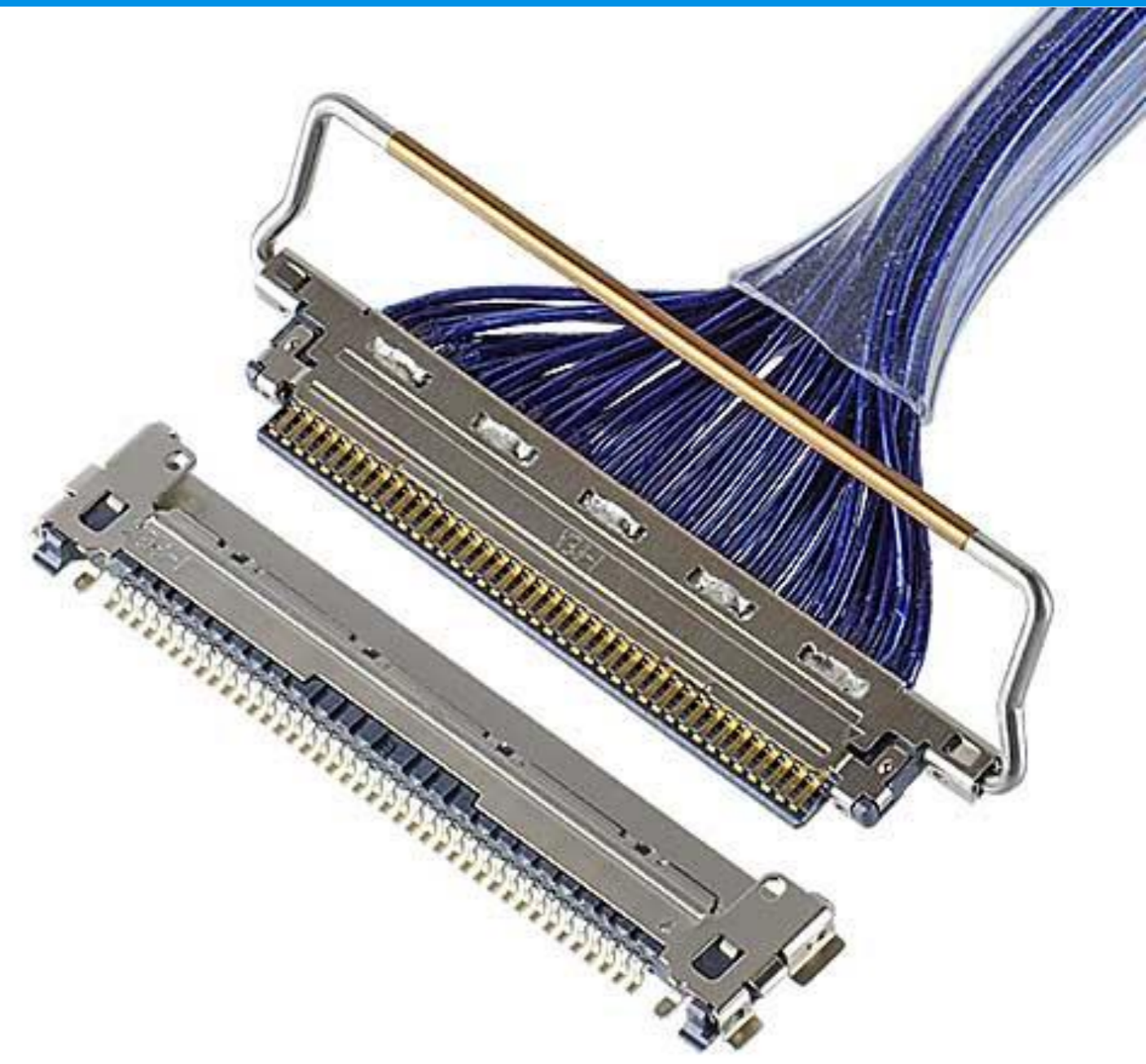
CABLINE-CA and CA II receptacles can be mounted to the same PCB layout.



CABLINE®-CA

高速伝送対応、メカニカルロック付き、シールド付き、
多点グラウンド接点、0.4mmピッチ、水平嵌合タイプ細線同軸コネクタ

*更に高速64 Gbps PAM4には、CABLINE-CAレセプタクル(20525-050E-02)に嵌合する
[CABLINE-CAPハーネスソリューション](#)をご確認してください。



Product Specifications:

Mating type	Horizontal	
Board Pitch (mm)	0.4	
Wiping Length (mm)	0.54	
Mated size (mm)	Height	1.0 +/- 0.1
	Width	Formula: 6.95 + (0.4*p)
	Depth	5.73
Pin Counts	Range	Up to 60
	Available	10, 12, 20, 30, 40, 50, 60

Applicable Cable Size:

Maximum O.D. (mm)	0.4
Micro-Coaxial for Signal (AWG)	45 ohm: #38 or smaller 50 ohm: #40 or smaller
Twinax (AWG)	#40
Discrete (AWG)	#34 or smaller

Applicable Standards (Reference Only):

USB4 Gen3/Thunderbolt 4 (20 Gbps/lane), PCIe Gen 4 (16 GT/s), USB 3.1 Gen 2 (10 Gbps), eDP HBR 3 (8.1 Gbps)

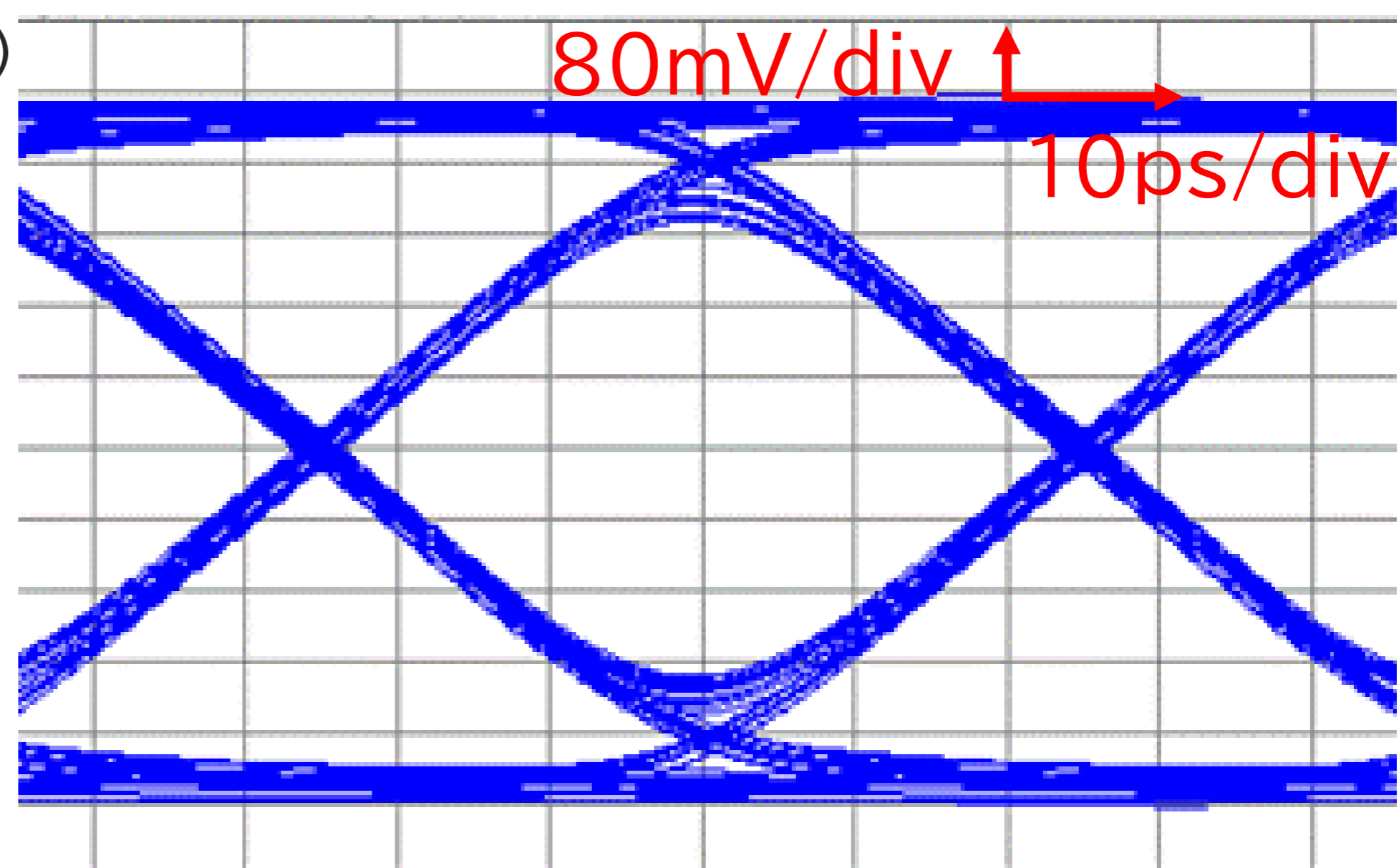
*記載のない極数の対応状況についてはお問い合わせください。

▶ USB4 Gen3/Thunderbolt 4 (20Gbps/lane) の高速伝送内部接続に最適

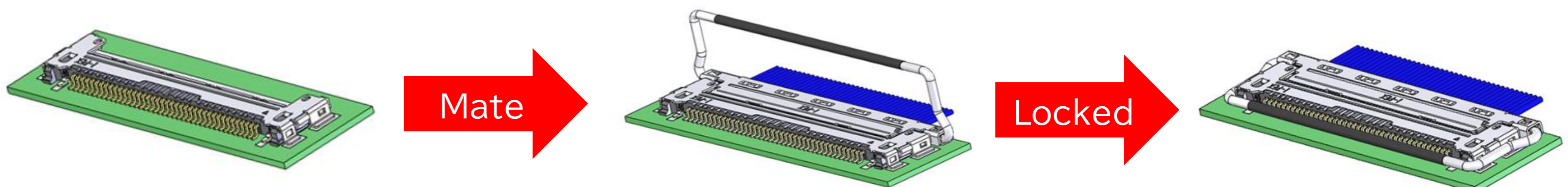
USB4 Gen3/Thunderbolt4(20Gbps/lane)

Eye pattern (Differential)
Bit rate : 20Gbps
Rise time : 30ps (10-90%)
Input voltage : 800mVp-p

*試験データの詳細はI-PEX Connectorsにお問い合わせください



▶ メカニカルロックバーによる不完全嵌合防止とプラグ抜け防止

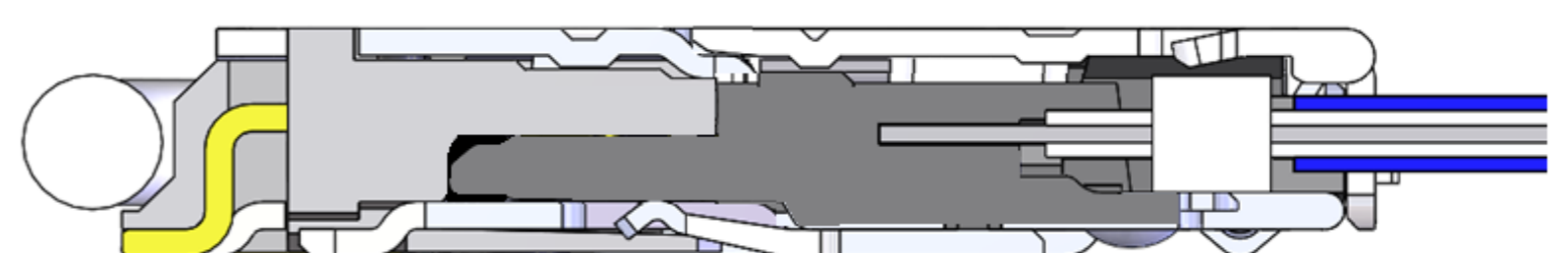


干渉



不完全嵌合

プラグがレセプタクルに完全に嵌合されている場合にのみロックが可能

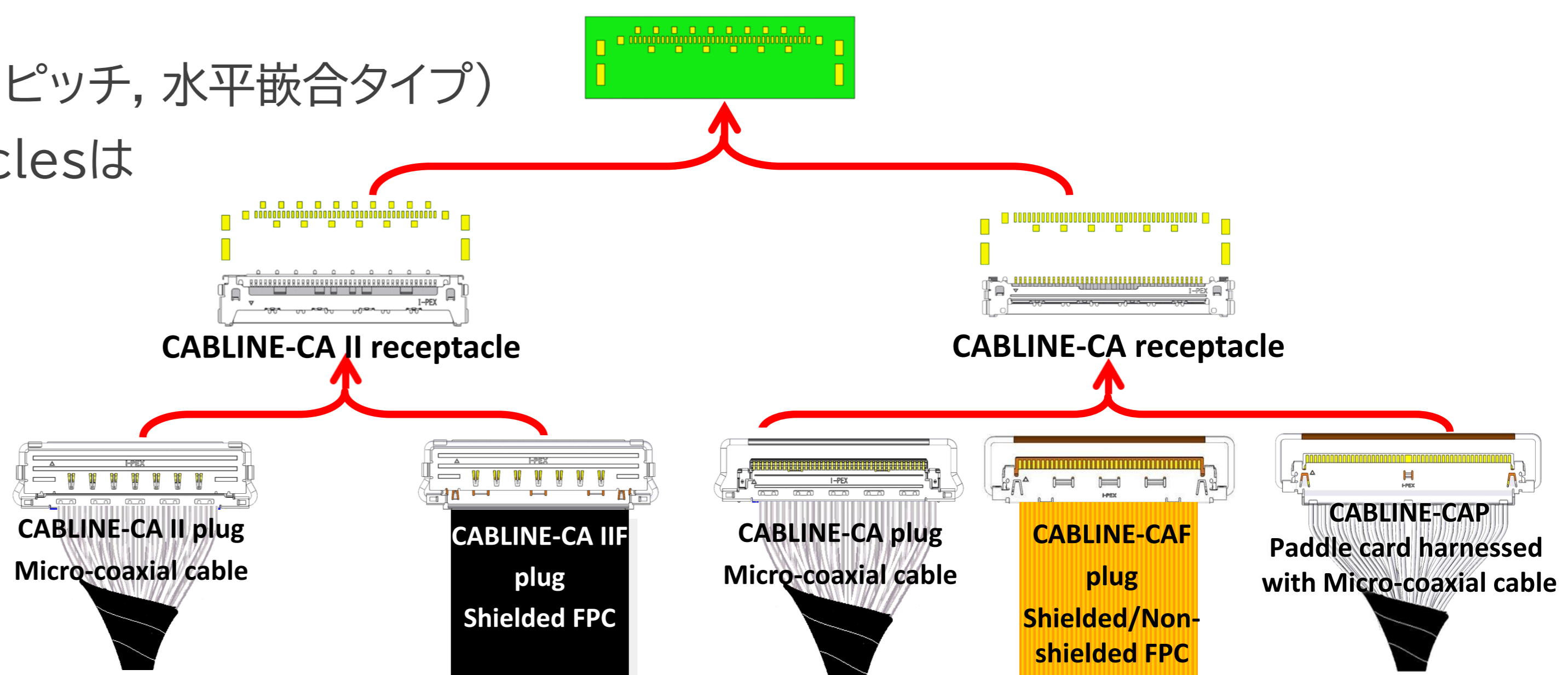


完全嵌合

▶ CABLINE-CAシリーズにおける複数のコネクタ接続オプション

CABLINE-CAシリーズ (0.4mm ピッチ, 水平嵌合タイプ)

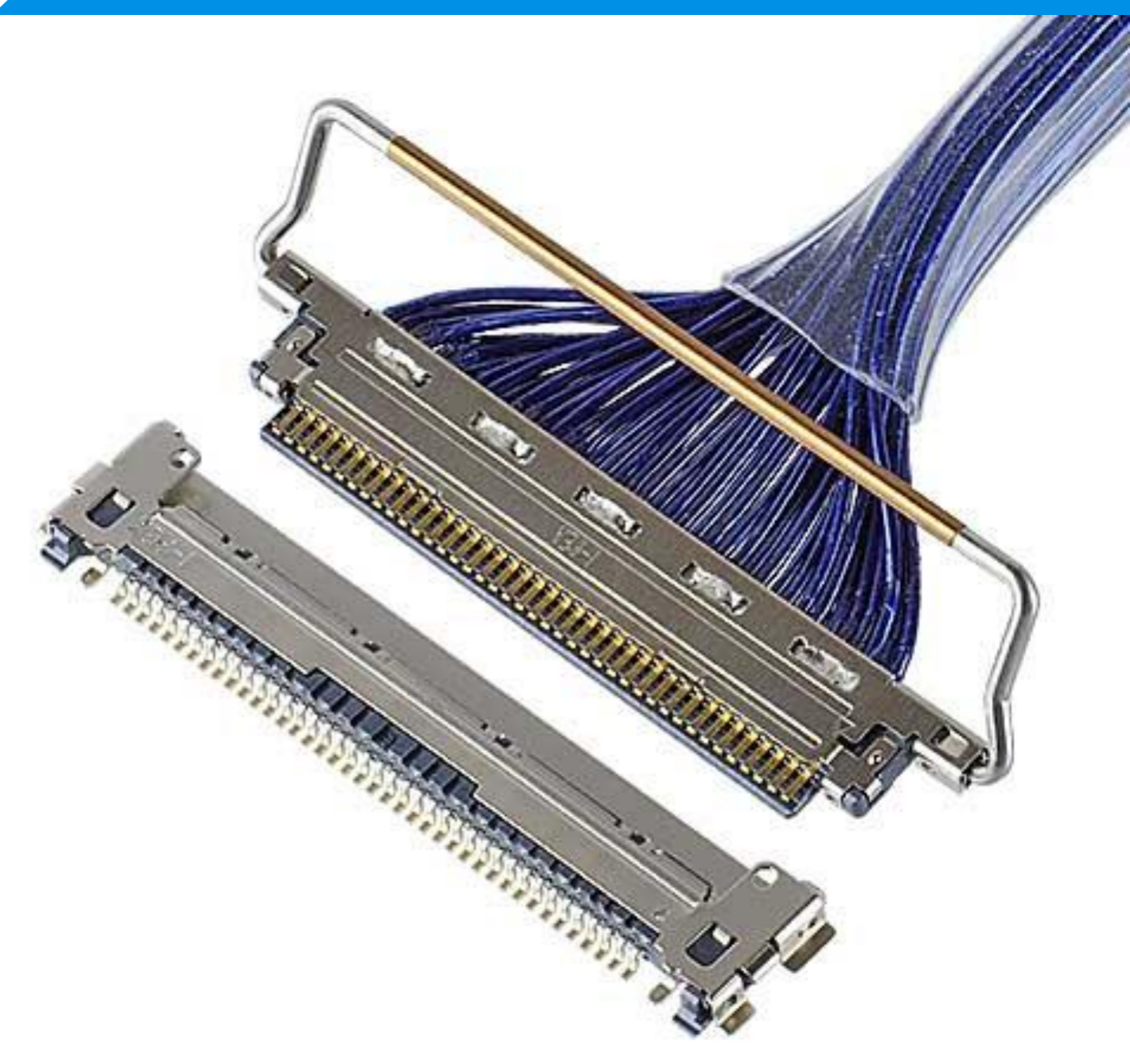
CABLINE-CA, CA II receptaclesは
同じPCBレイアウトに実装可能



CABLINE®-CA

고속 전송 대응, 기계식 Lock, 실드, 멀티 그라운드 접점, 0.4mm Pitch, 수평 결합 타입 세션 동축 커넥터

*더욱 고속 64 Gbps PAM4에는 CABLINE-CA리셉터클(20525-050E-02)과 결합하는 CABLINE-CAP하네스 솔루션을 확인하십시오.



Product Specifications:

Mating type	Horizontal	
Board Pitch (mm)	0.4	
Wiping Length (mm)	0.54	
Mated size (mm)	Height	1.0 +/- 0.1
	Width	Formula: 6.95 + (0.4*?p)
	Depth	5.73
Pin Counts	Range	Up to 60
	Available	10, 12, 20, 30, 40, 50, 60

Applicable Cable Size:

Maximum O.D. (mm)	0.4
Micro-Coaxial for Signal (AWG)	45 ohm: #38 or smaller 50 ohm: #40 or smaller
Twinax (AWG)	#40
Discrete (AWG)	#34 or smaller

Applicable Standards (Reference Only):

USB4 Gen3/Thunderbolt 4 (20 Gbps/lane), PCIe Gen 4 (16 GT/s), USB 3.1 Gen 2 (10 Gbps), eDP HBR 3 (8.1 Gbps)

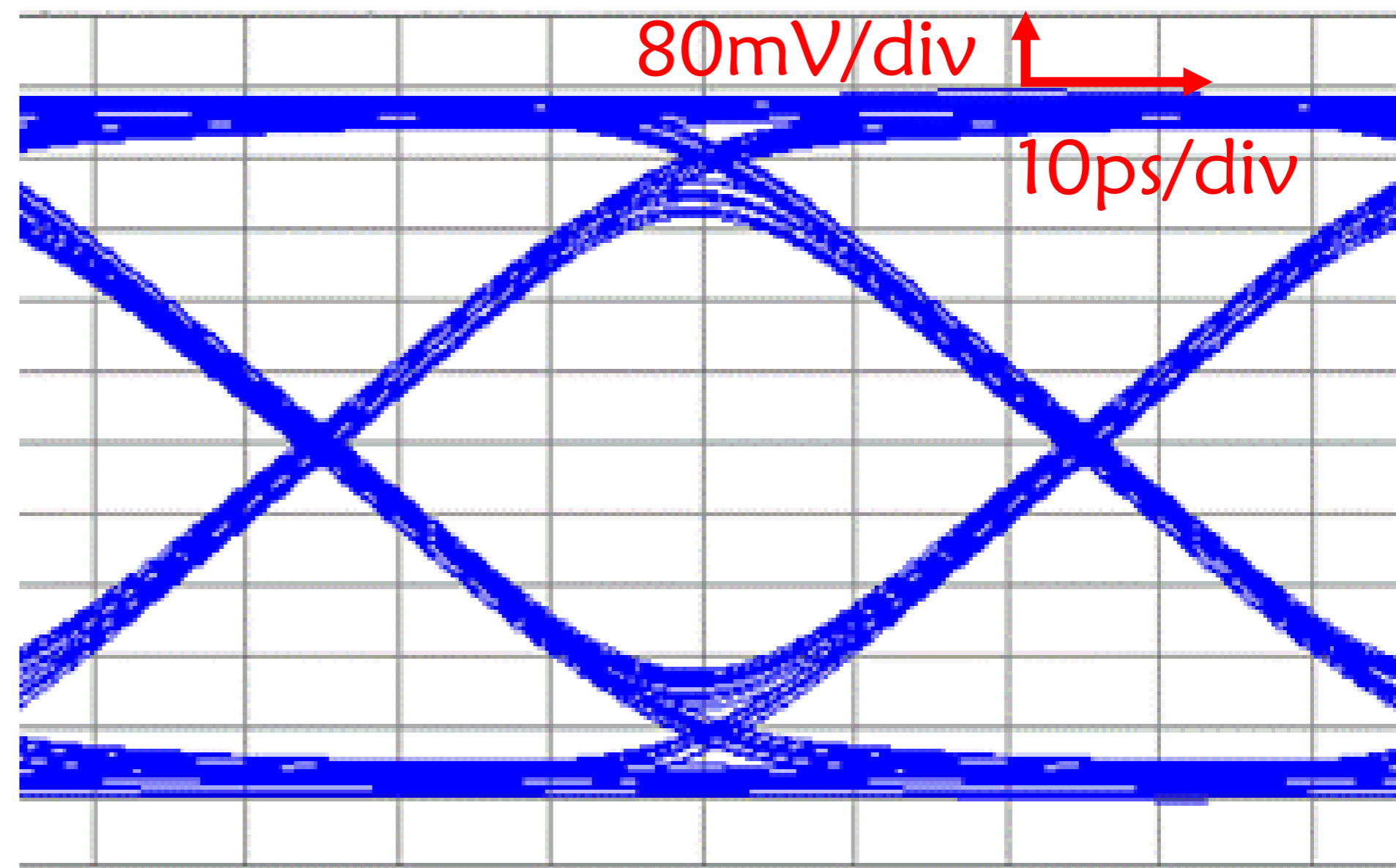
*기재가 되어있지 않은 핀 수의 대응 여부에 대해서는 문의해 부탁드립니다.

▶ USB4 Gen3/Thunderbolt 4 (20Gbps/lane)의 고속 전송 내부 접속에 최적

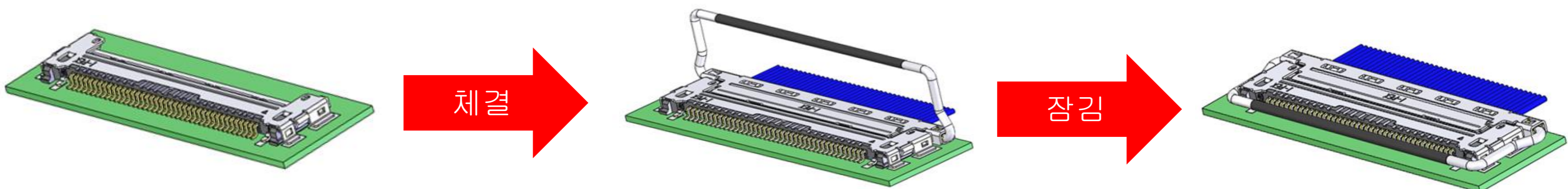
USB4 Gen3/Thunderbolt 4(20Gbps/lane)

아이 패턴(차동)
비트 전송률: 20Gbps
상승 시간: 30ps(10-90%)
입력 전압: 800mVp-p

*자세한 테스트 정보는 I-PEX Connectors에 문의하십시오.

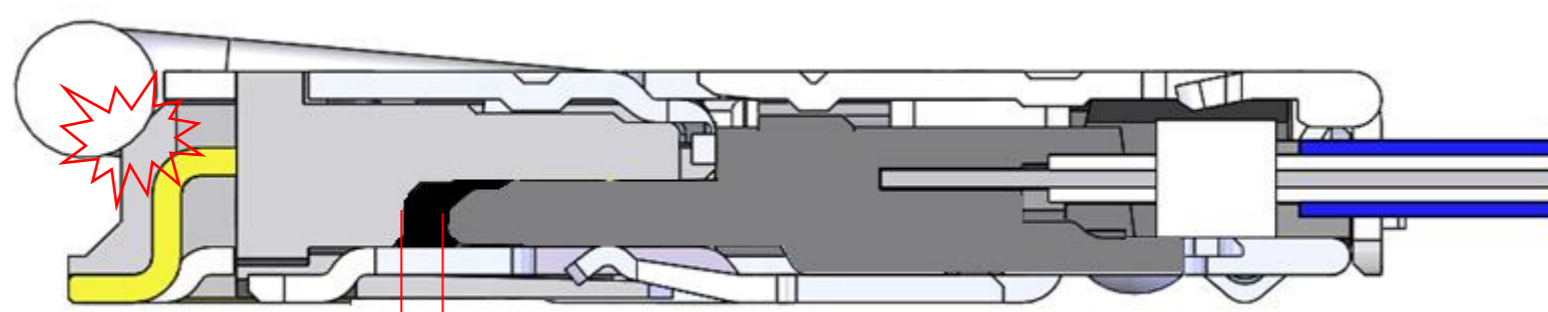


▶ 기계식 Locking bar에 의한 불완전 결합 방지와 Plug 이탈 방지



잠금 Bar는 플러그가 리셉터클에 완전히 체결된 경우에만 잠글 수 있습니다.

간섭



불완전한 체결

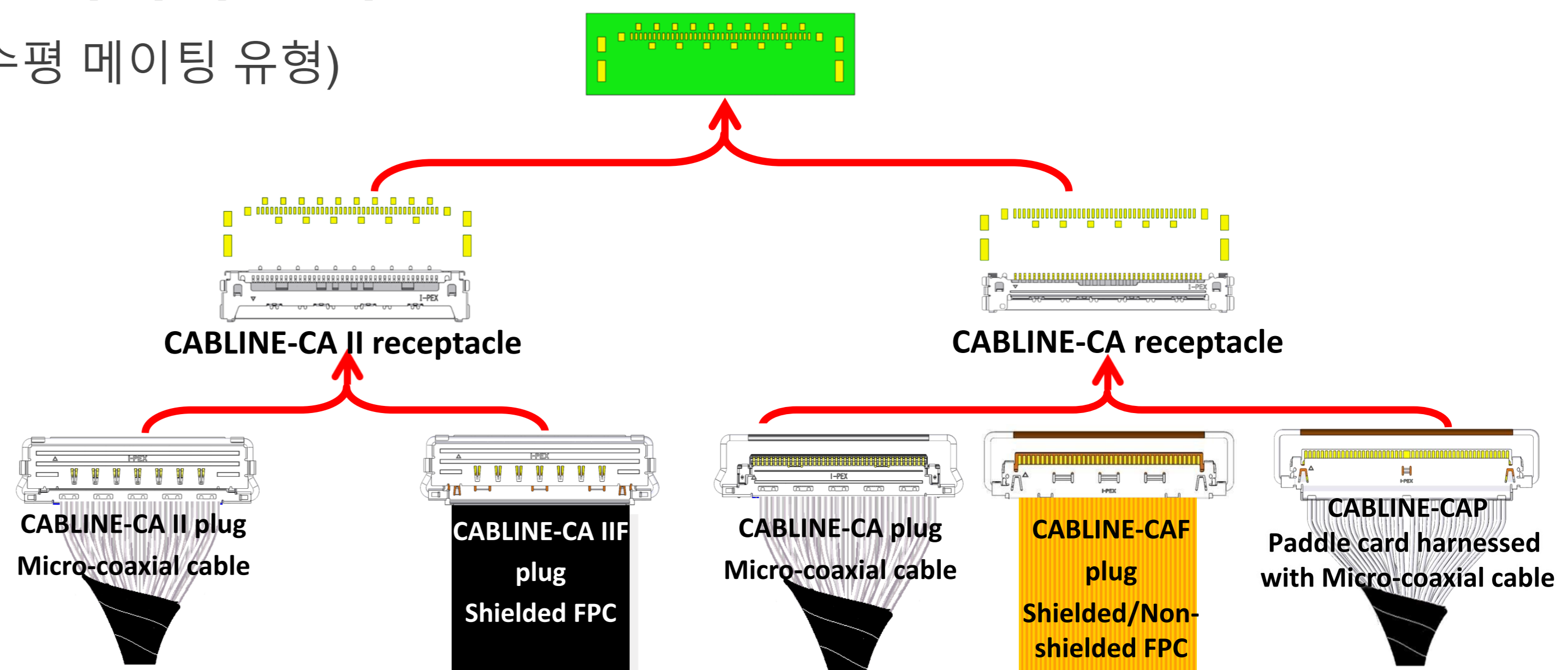


완전한 체결

▶ CABLINE-CA 시리즈의 다양한 커넥터 접속 옵션

CABLINE-CA 시리즈(0.4mm 피치, 수평 메이팅 유형)

CABLINE-CA 및 CA II 리셉터클은 동일PCB 레이아웃을 사용 가능.



CABLINE®-CA

高速数据传输，机械锁扣，带屏蔽和多点接地设计，0.4mm 间距,水平对插款式的极细同轴线连接器

*想获得更高的传输速率（64 Gbps PAM4），欢迎查看可以配合 CABLINE-CA母座 (20525-050E-02)使用的 [CABLINE-CAP 线束解决方案](#)。

Product Specifications:

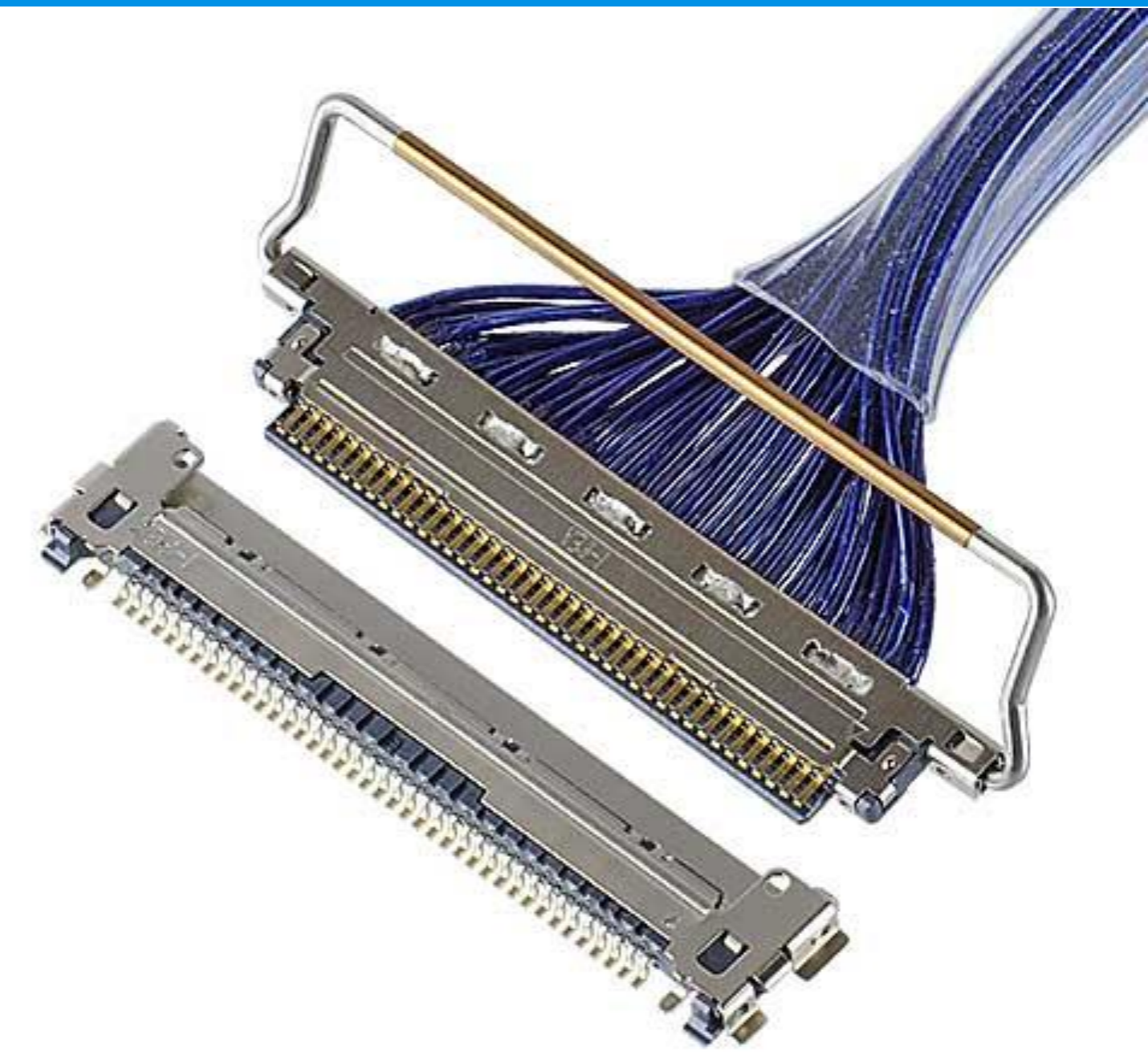
Mating type	Horizontal	
Board Pitch (mm)	0.4	
Wiping Length (mm)	0.54	
Mated size (mm)	Height	1.0 +/- 0.1
	Width	Formula: 6.95 + (0.4*p)
	Depth	5.73
Pin Counts	Range	Up to 60
	Available	10, 12, 20, 30, 40, 50, 60

Applicable Cable Size:

Maximum O.D. (mm)	0.4
Micro-Coaxial for Signal (AWG)	45 ohm: #38 or smaller 50 ohm: #40 or smaller
Twinax (AWG)	#40
Discrete (AWG)	#34 or smaller

Applicable Standards (Reference Only):

USB4 Gen3/Thunderbolt 4 (20 Gbps/lane), PCIe Gen 4 (16 GT/s), USB 3.1 Gen 2 (10 Gbps), eDP HBR 3 (8.1 Gbps)



*如您需要了解未列出或不在范围内的Pin数，请咨询我们。

▶ 高速率传输, USB4 Gen3/Thunderbolt 4 (20Gbps/lane)应用的理想之选

USB4 Gen3/Thunderbolt 4 (20 Gbps/lane)

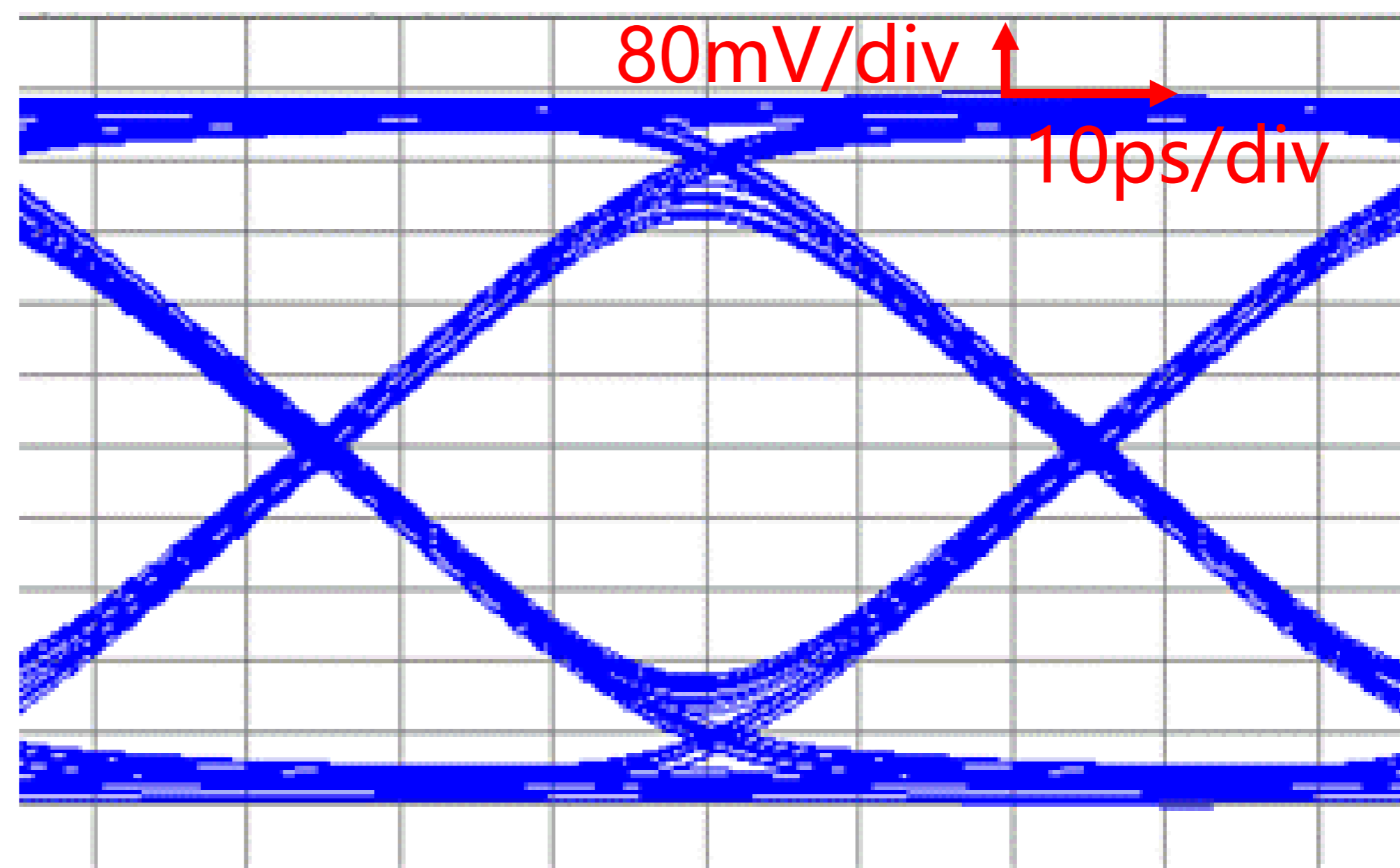
眼图 (微分)

比特率: 20Gbps

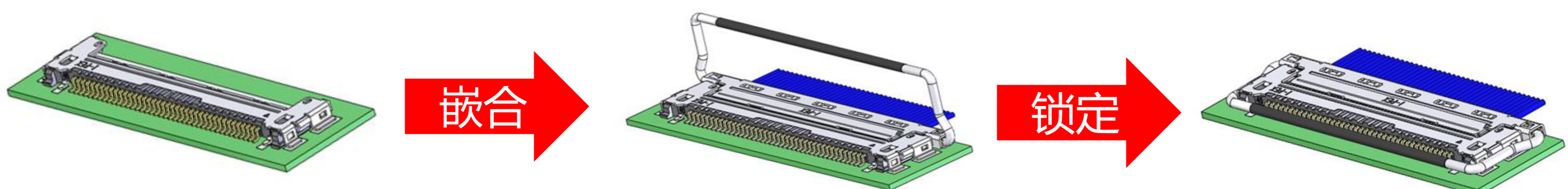
上升时间: 30ps (10-90%)

输入电压: 800mVp-p

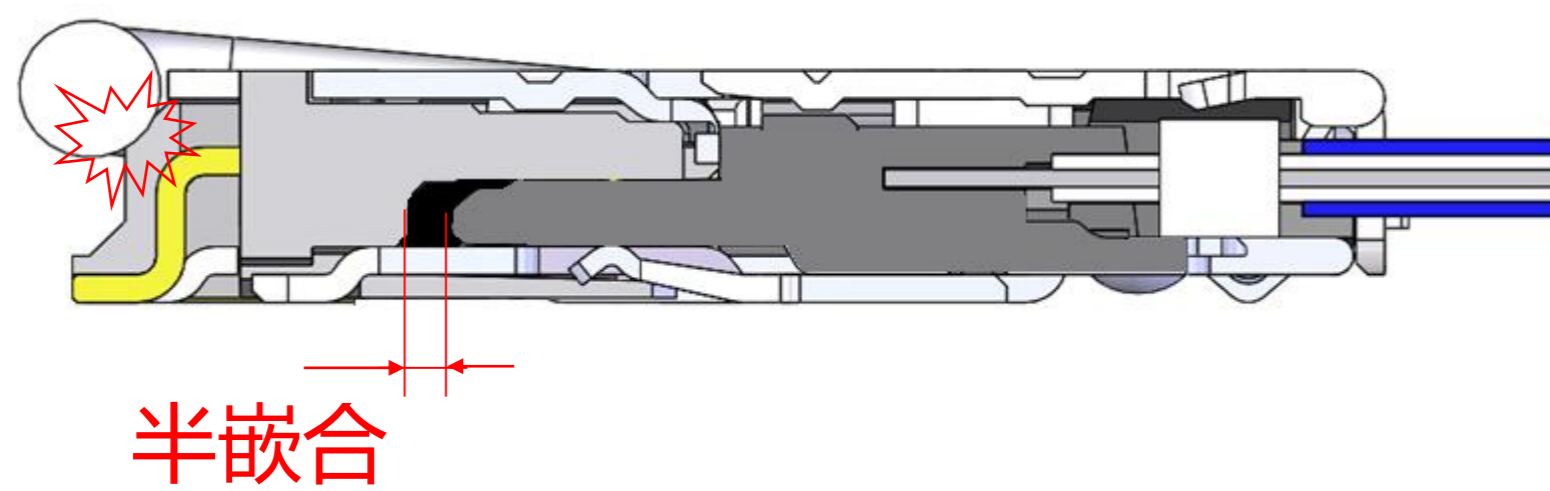
*更多测试细节,请联系I-PEX 连接器。



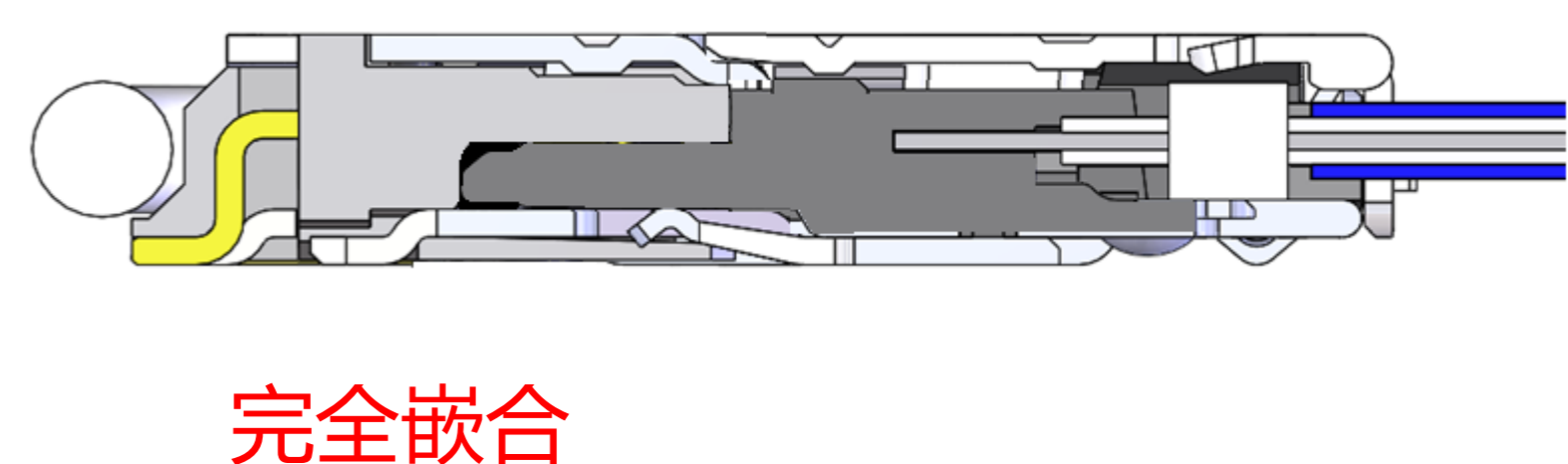
▶ 机械锁扣防止连接器不完全嵌合及脱落/未嵌合



干涉



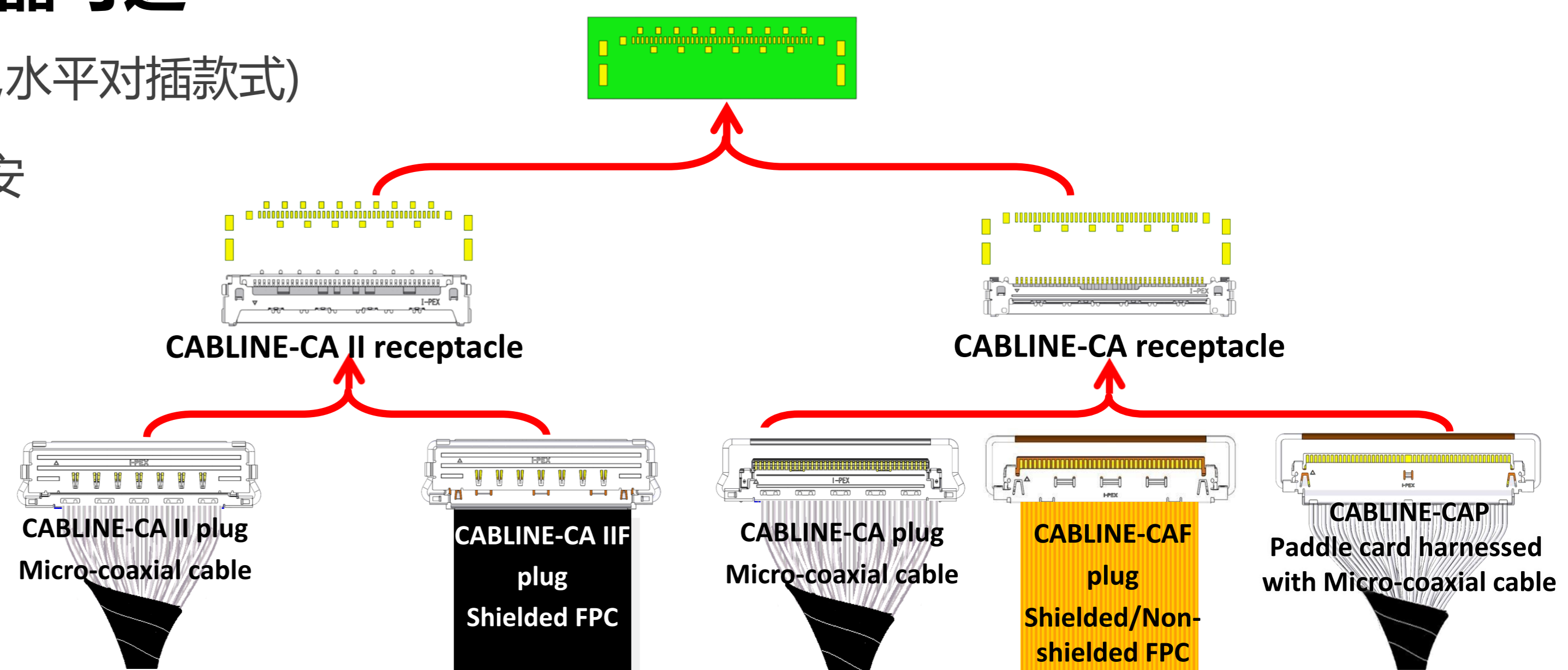
只有当公座完全和母座嵌合时，机械锁扣才能锁上。



▶ CABLINE®-CA 系列多款连接器可选

CABLINE-CA 系列 (0.4mm 间距,水平对插款式)

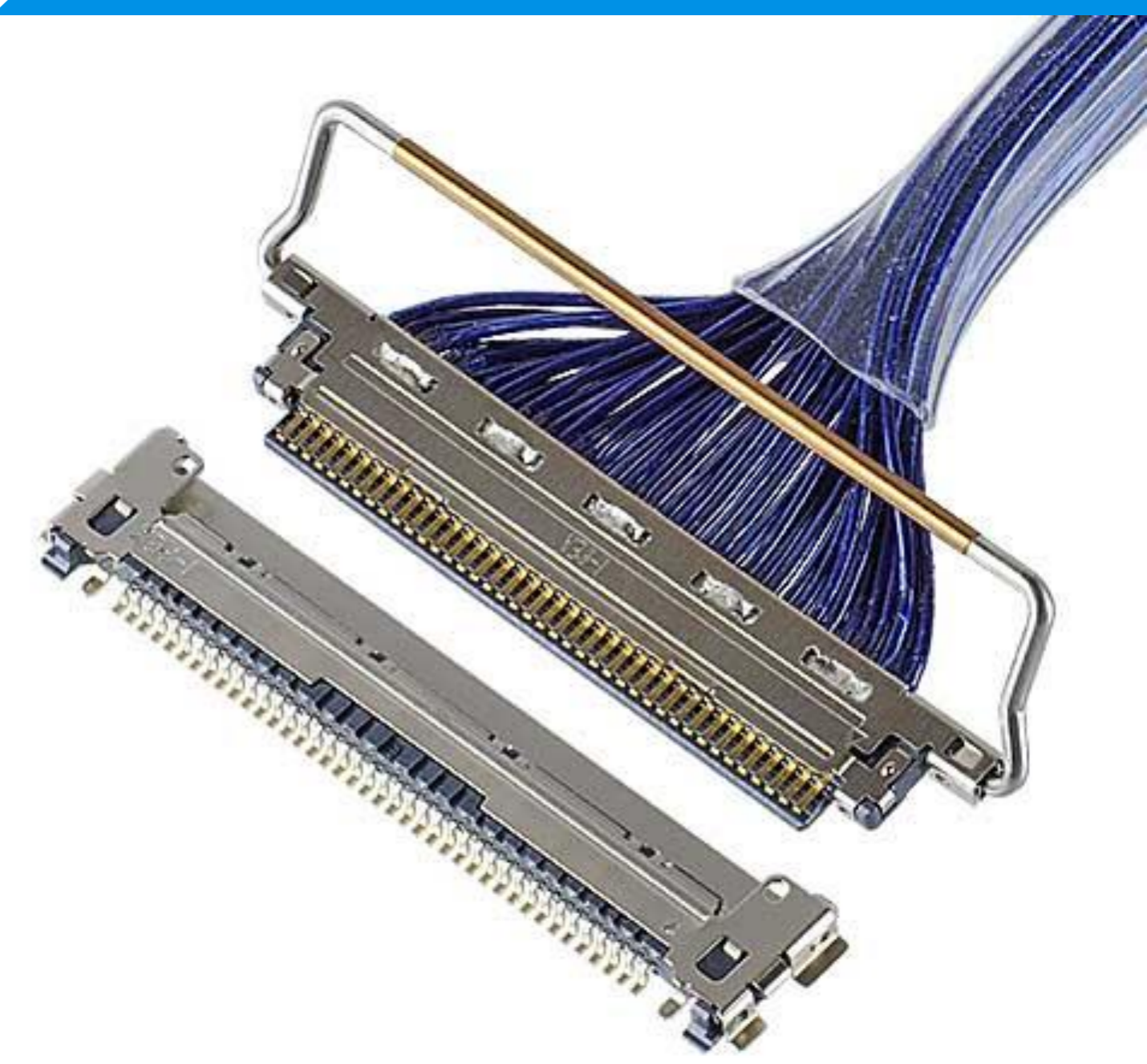
CABLINE-CA 和 CA II 的母座可安装在相同布局的PCB 上。



CABLINE®-CA

高速數據傳輸，機械鎖扣，帶屏蔽和多點接地設計，0.4mm 間距,水平對插款式的極細同軸線連接器

*想獲得更高的傳輸速率 (64 Gbps PAM4)，歡迎查看可以配合 CABLINE-CA母座 (20525-050E-02)使用的CABLINE-CAP 線束解決方案。



Product Specifications:

Mating type	Horizontal	
Board Pitch (mm)	0.4	
Wiping Length (mm)	0.54	
Mated size (mm)	Height	1.0 +/- 0.1
	Width	Formula: 6.95 + (0.4*p)
	Depth	5.73
Pin Counts	Range	Up to 60
	Available	10, 12, 20, 30, 40, 50, 60

Applicable Cable Size:

Maximum O.D. (mm)	0.4
Micro-Coaxial for Signal (AWG)	45 ohm: #38 or smaller 50 ohm: #40 or smaller
Twinax (AWG)	#40
Discrete (AWG)	#34 or smaller

Applicable Standards (Reference Only):

USB4 Gen3/Thunderbolt 4 (20 Gbps/lane), PCIe Gen 4 (16 GT/s), USB 3.1 Gen 2 (10 Gbps), eDP HBR 3 (8.1 Gbps)

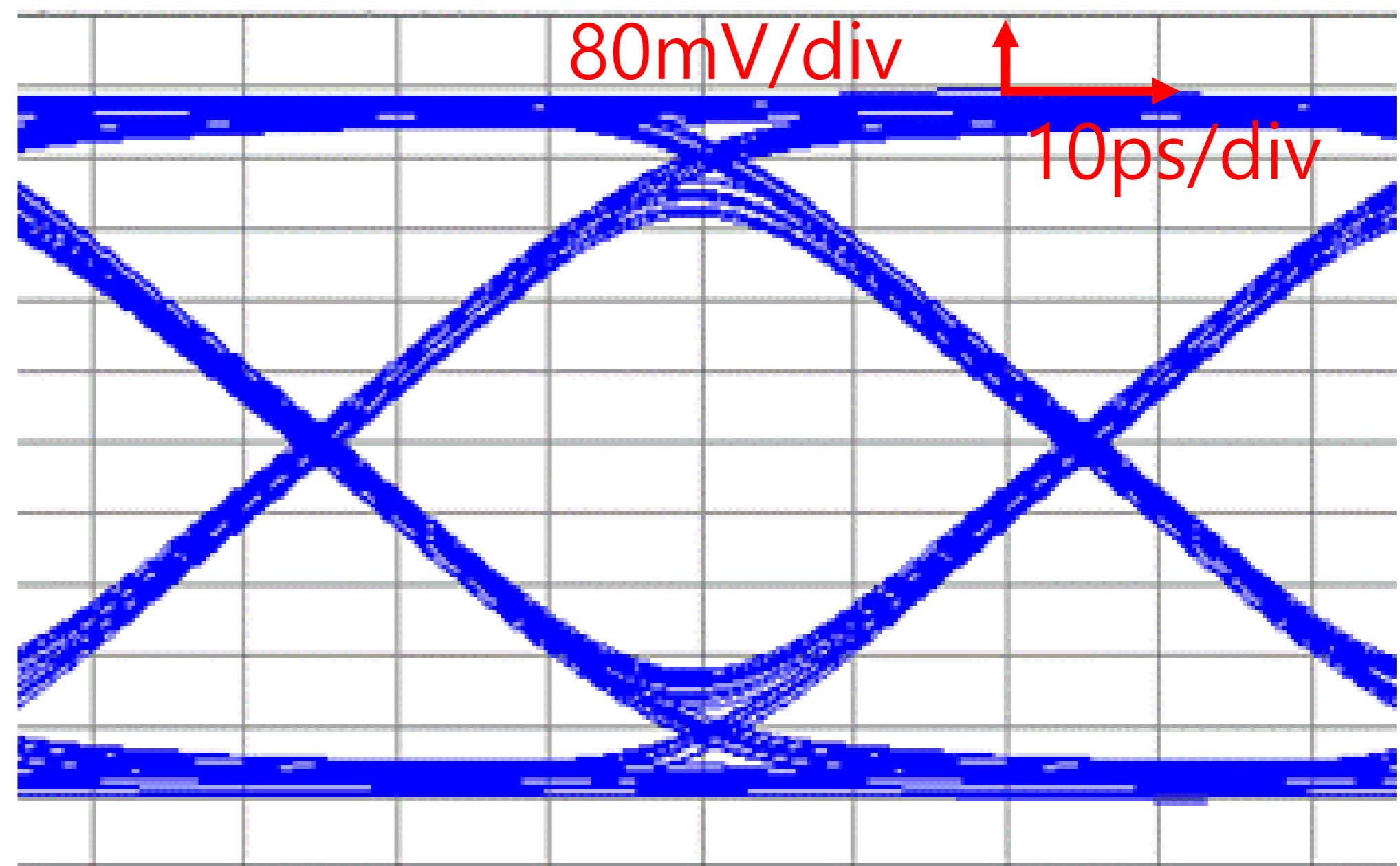
*若有規格外 Pin數需求,請與當地負責業務窗口聯繫。

▶ 高速率傳輸, USB4 Gen3/Thunderbolt 4 (20Gbps/lane)應用的理想之選

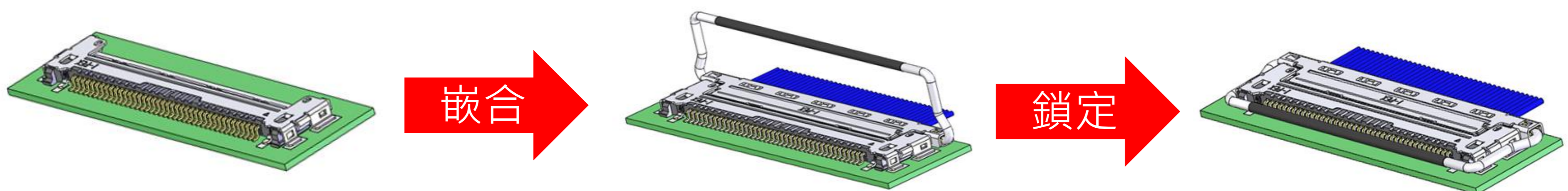
USB4 Gen3/Thunderbolt 4 (20Gbps/lane)

眼圖 (微分)
 比特率：20Gbps
 上升時間：30ps (10-90%)
 輸入電壓：800mVp-p

*更多測試細節,請聯繫I-PEX 連接器。

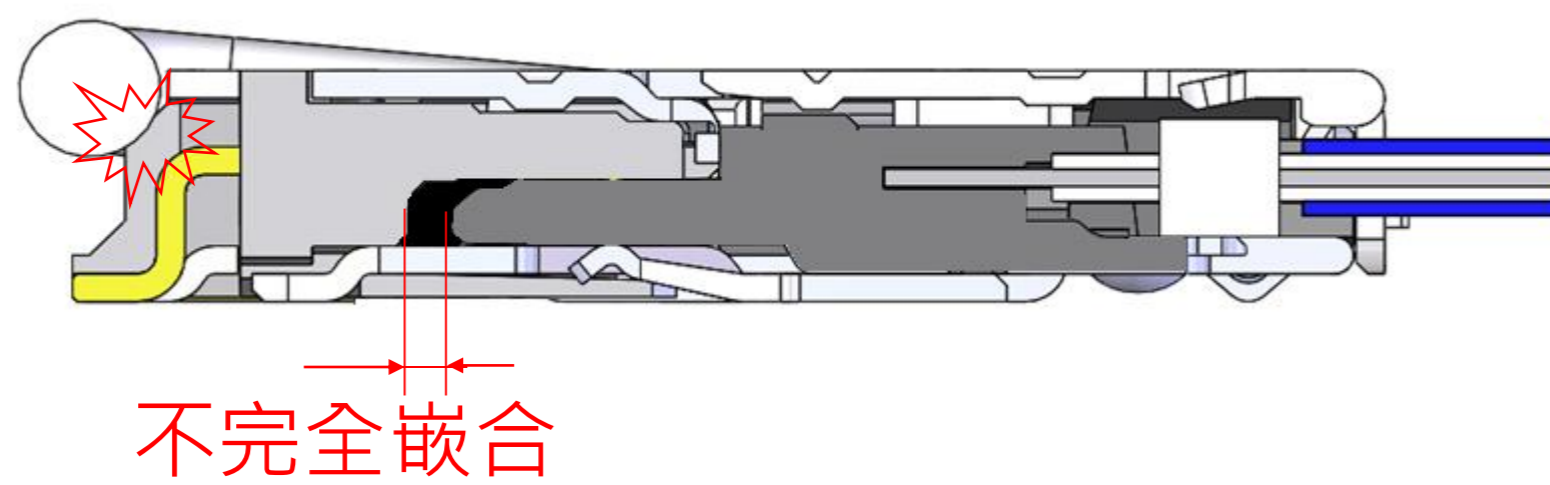


▶ 機械鎖扣防止連接器不完全嵌合及脫落/未嵌合

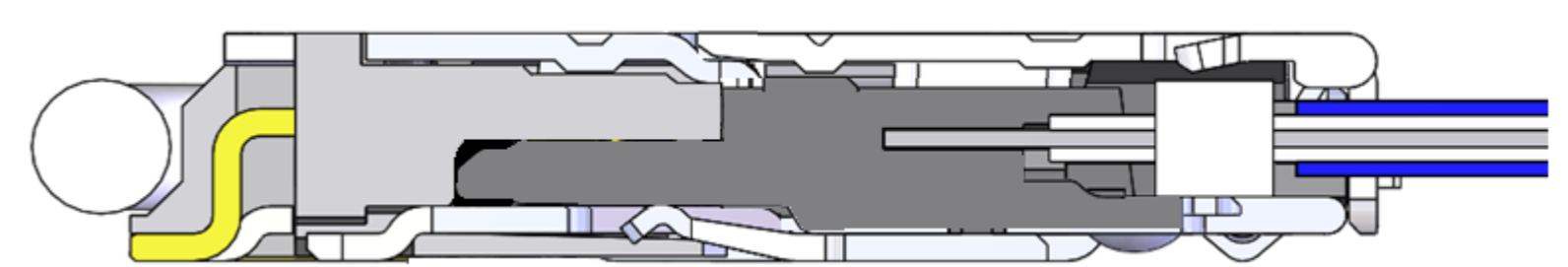


只有當公座完全和母座嵌合時，機械鎖扣才能鎖上。

干涉



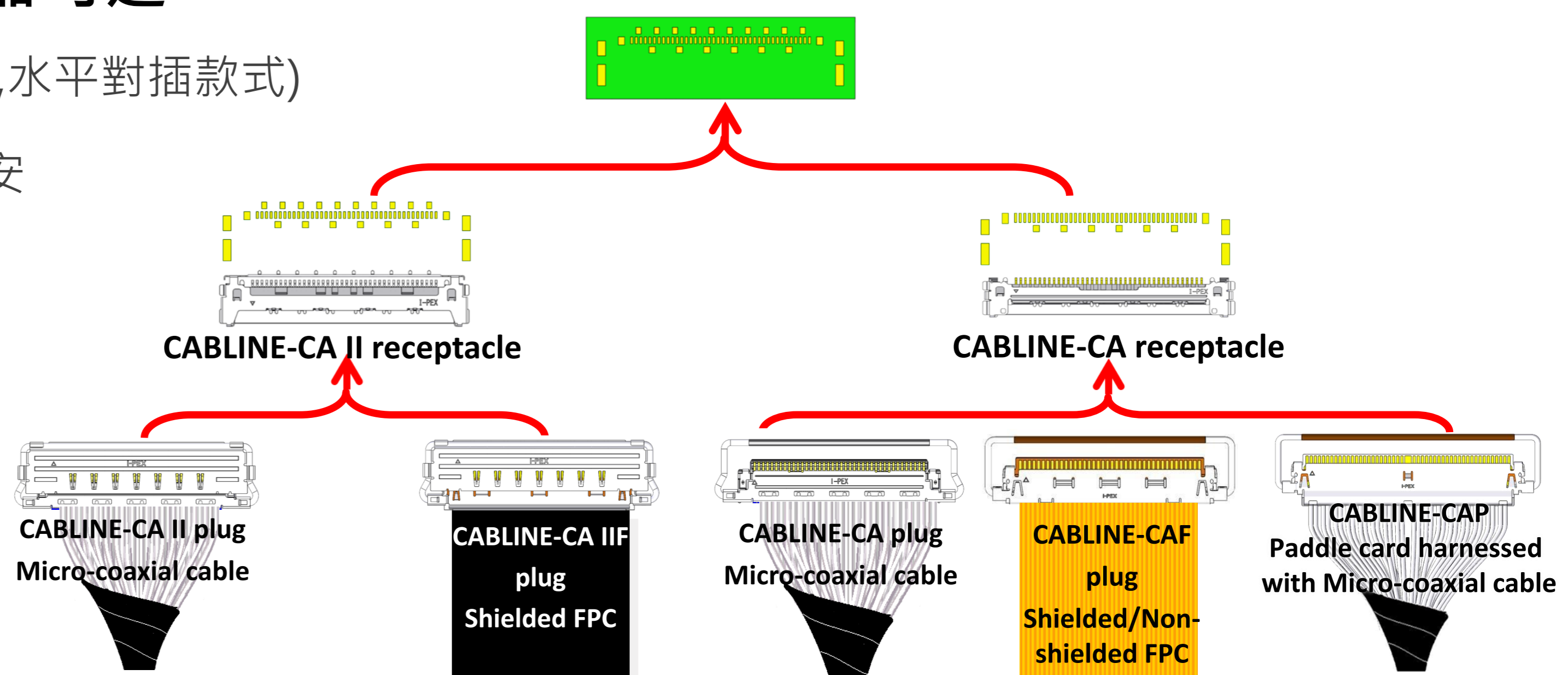
完全嵌合



▶ CABLINE®-CA 系列多款連接器可選

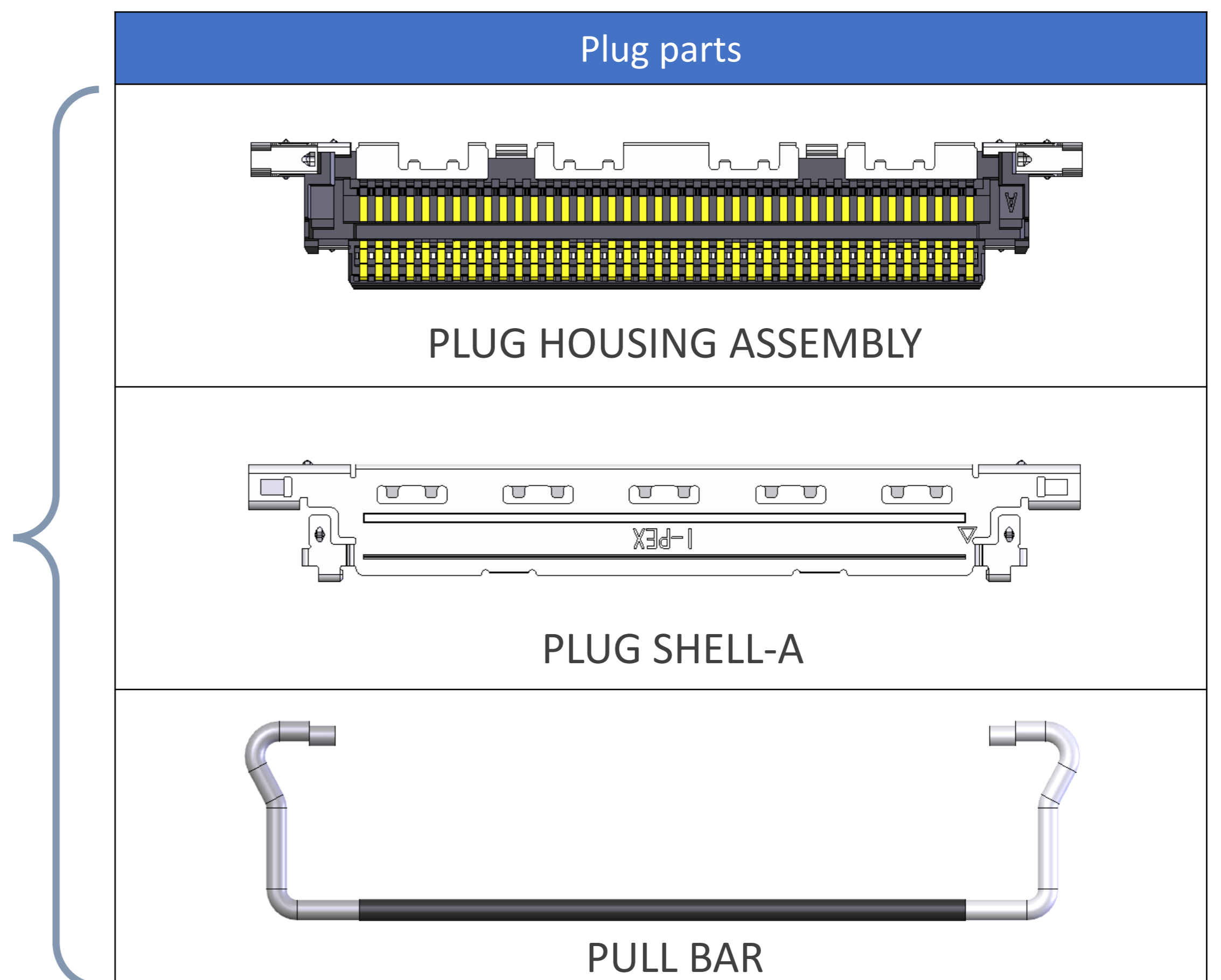
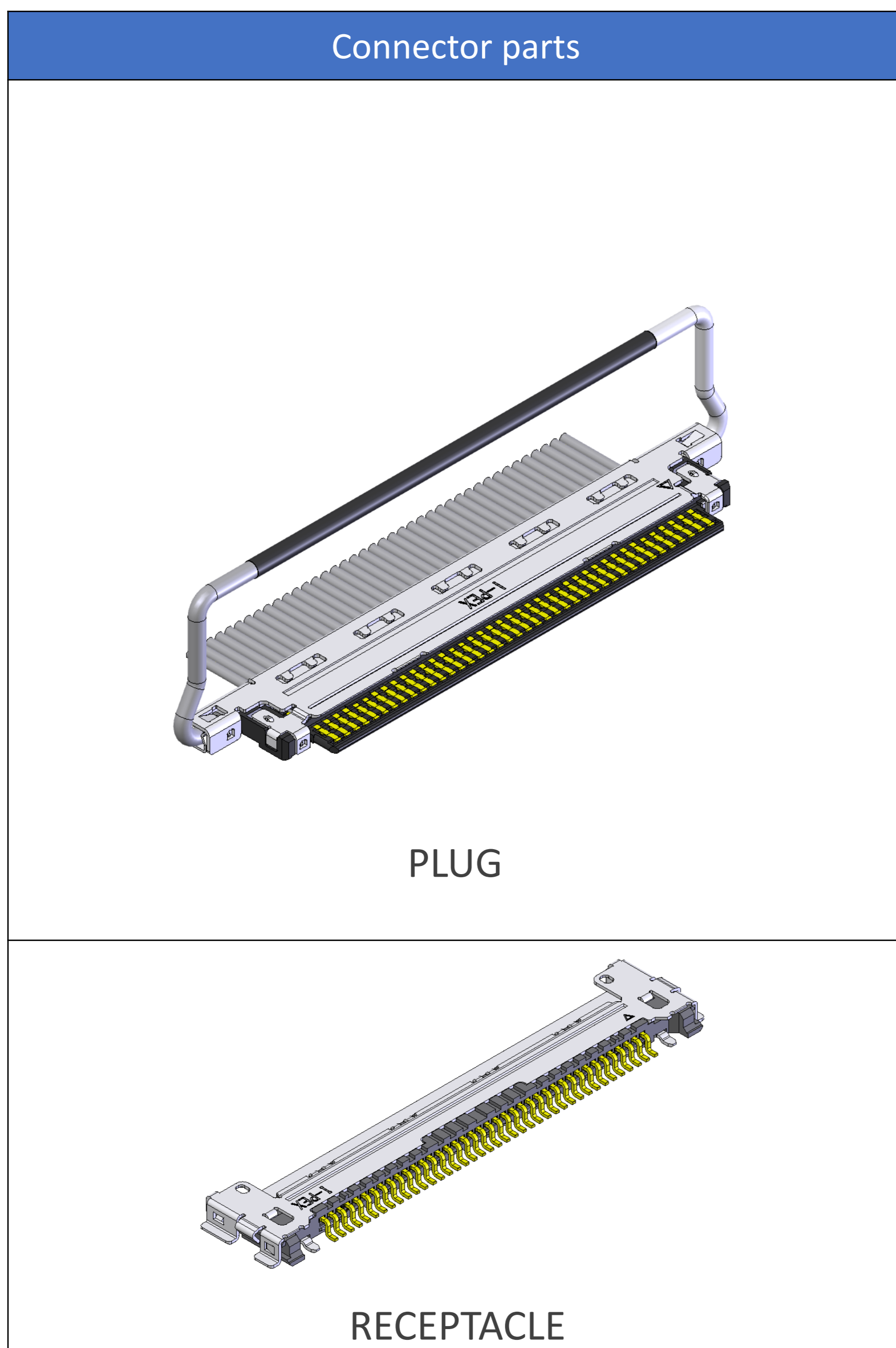
CABLINE-CA 系列 (0.4mm 間距,水平對插款式)

CABLINE-CA 和 CA II 的母座可安裝在相同布局的PCB 上。



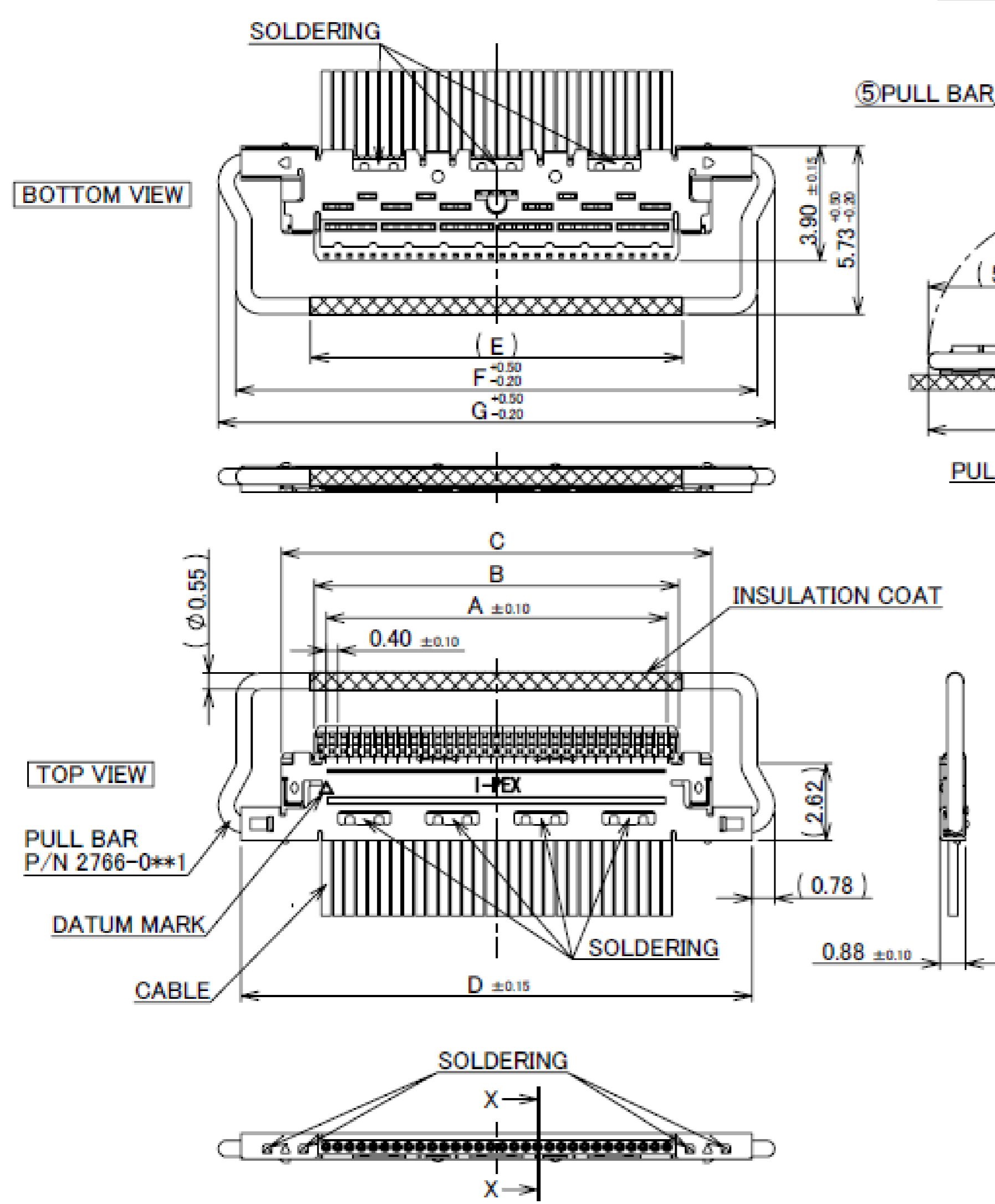
Component Parts Details

Component Parts



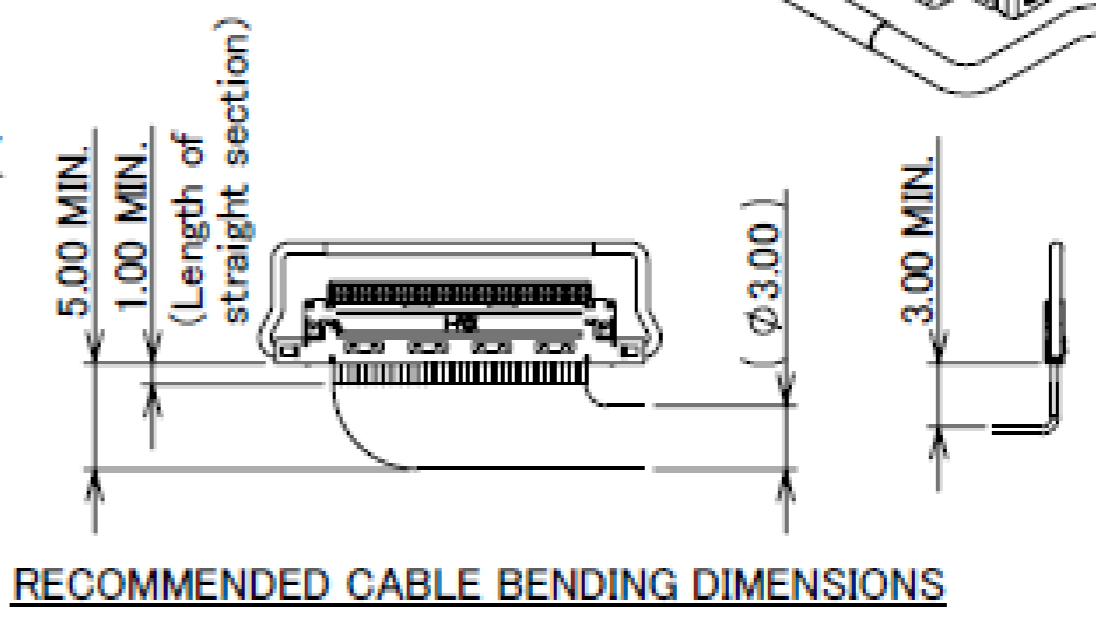
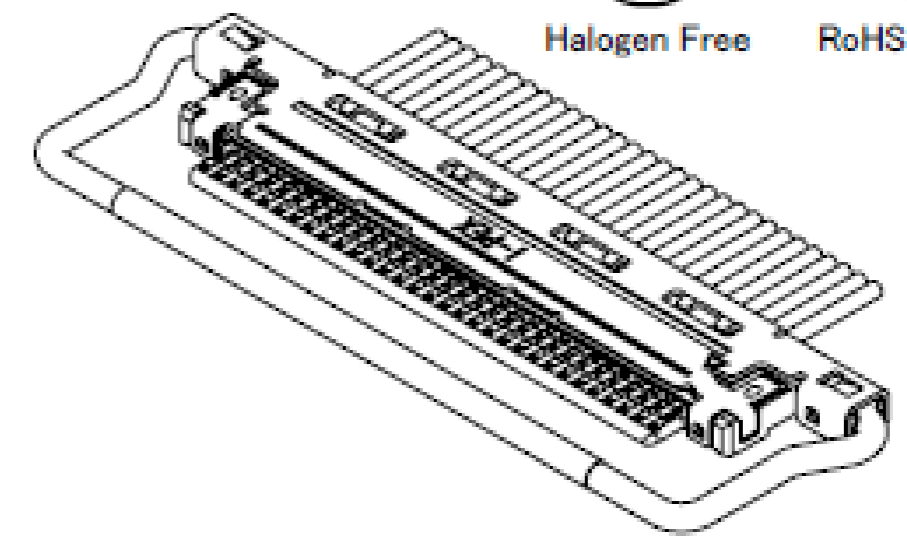
Plug for Cable Assembly

Recommended P/N		20633-2**T-01S(12~60P)					20633-310T-01S(10P)	
PART NO.	POS.	A	B	C	D	E	F	G
20633-#10T-01S	10	3.60	4.40	6.66	9.40	4.65	9.75	10.95
20633-#12T-01S	12	4.40	5.20	7.46	10.20	5.45	10.55	11.75
20633-#20T-01S	20	7.60	8.40	10.66	13.40	8.65	13.75	14.95
20633-#30T-01S	30	11.60	12.40	14.66	17.40	12.65	17.75	18.95
20633-#40T-01S	40	15.60	16.40	18.66	21.40	16.65	21.75	22.95
20633-#50T-01S	50	19.60	20.40	22.66	25.40	20.65	25.75	26.95
20633-#60T-01S	60	23.60	24.40	26.66	29.40	24.65	29.75	30.95



P/N : 20633- # ** T-0 # S
 1 : WITH PULL BAR
 2 : WITHOUT PULL BAR
 Pos.
 SEE TABLE.1

WITH PULL BAR **HF** **RoHS**
 Halogen Free RoHS Compliant



CABLE ASS'Y PART NO.	HOUSING ASS'Y PART NO.	SHELL A PART NO.	PULL BAR PART NO.
20633-2**T-01S	20634-1**T-02	2764-0**1-002	2766-0**1
20633-3**T-01S	20634-2**T-02	2764-0**1-003	

PART NO.	CONTACT FINISH	SHELL A FINISH	SHELL B FINISH
20633-2**T-0#S	CONTACT AREA Au 0.1 μ m MIN. OVER Ni 1.00 μ m MIN. SOLDERING AREA Au 0.05 μ m MIN. OVER Ni 1.00 μ m MIN.	TOP SIDE Au 0.03 μ m MIN. OVER Ni 1.00 μ m MIN. BOTTOM SIDE Ni 1.00 μ m MIN.(THERE IS THE POSSIBILITY THAT Au ATTACHES RANDOMLY)	TOP SIDE Ni 1.00 μ m MIN.(THERE IS THE POSSIBILITY THAT Au ATTACHES RANDOMLY) BOTTOM SIDE Au 0.03 μ m MIN. OVER Ni 1.00 μ m MIN.
20633-3**T-0#S	CONTACT AREA Au 0.03 μ m MIN. OVER Ni 1.00 μ m MIN. SOLDERING AREA Au 0.03 μ m MIN. OVER Ni 1.00 μ m MIN.	PARTIAL Au 0.003 μ m MIN. OVER Ni 1.00 μ m MIN.	PARTIAL Au 0.003 μ m MIN. OVER Ni 1.00 μ m MIN.

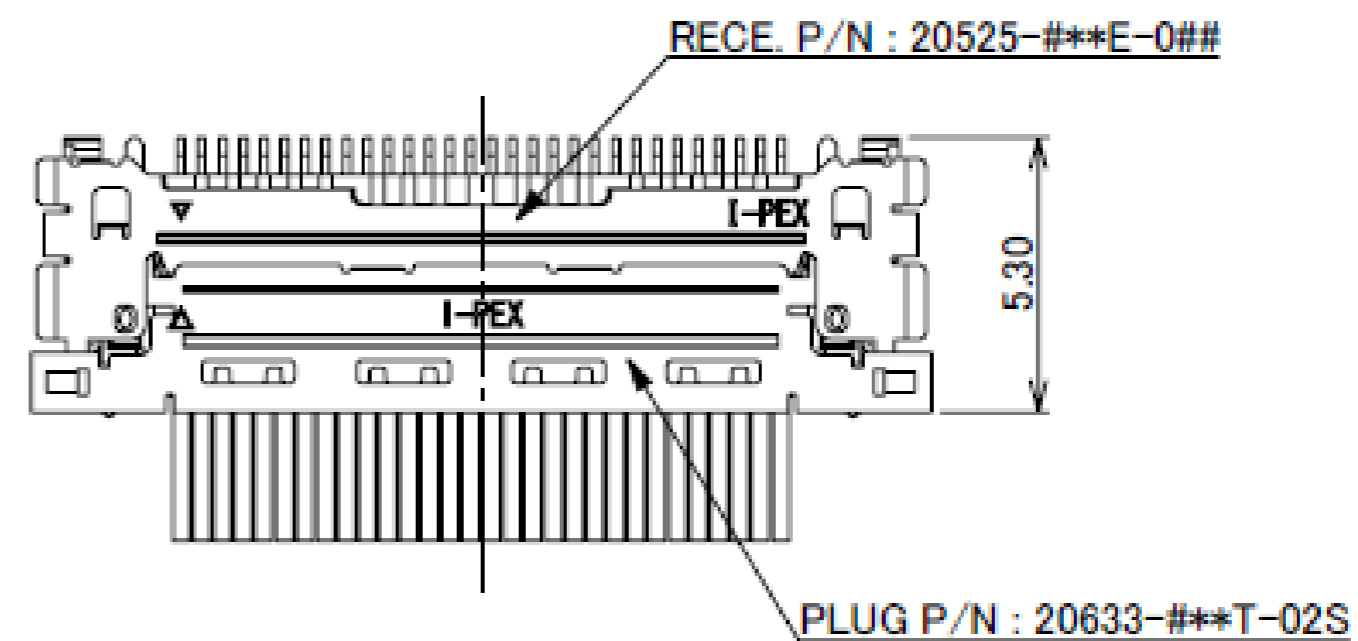
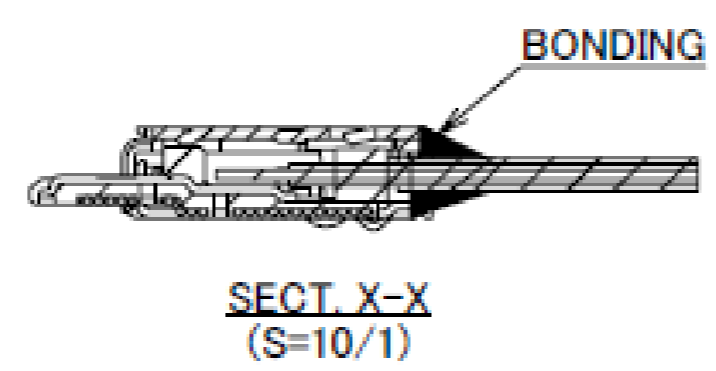
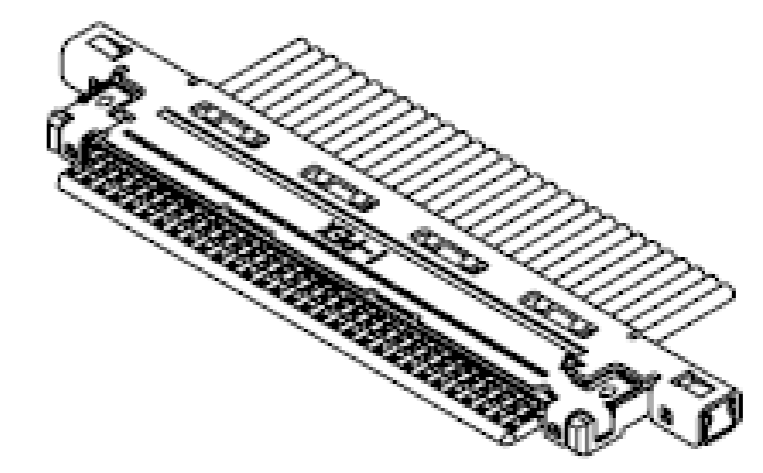
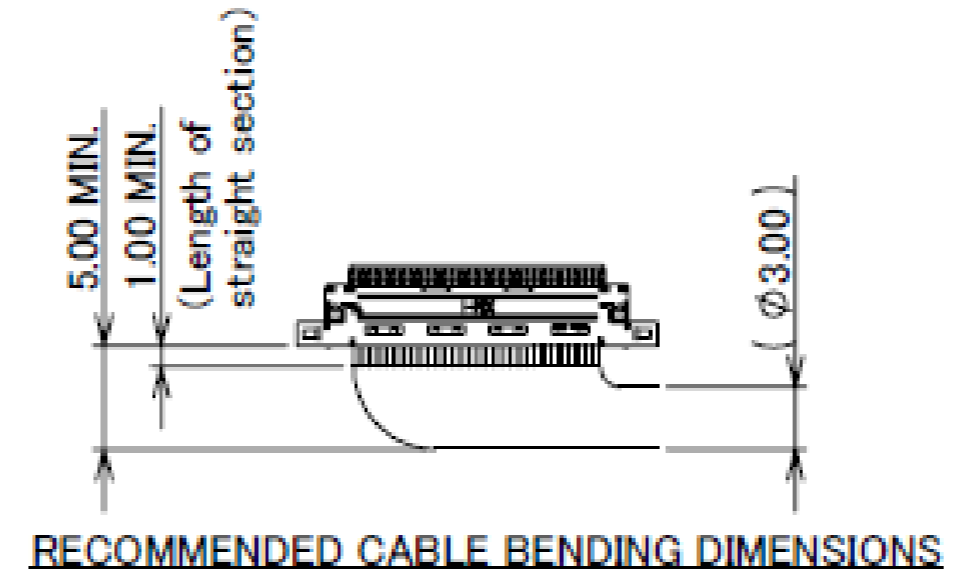
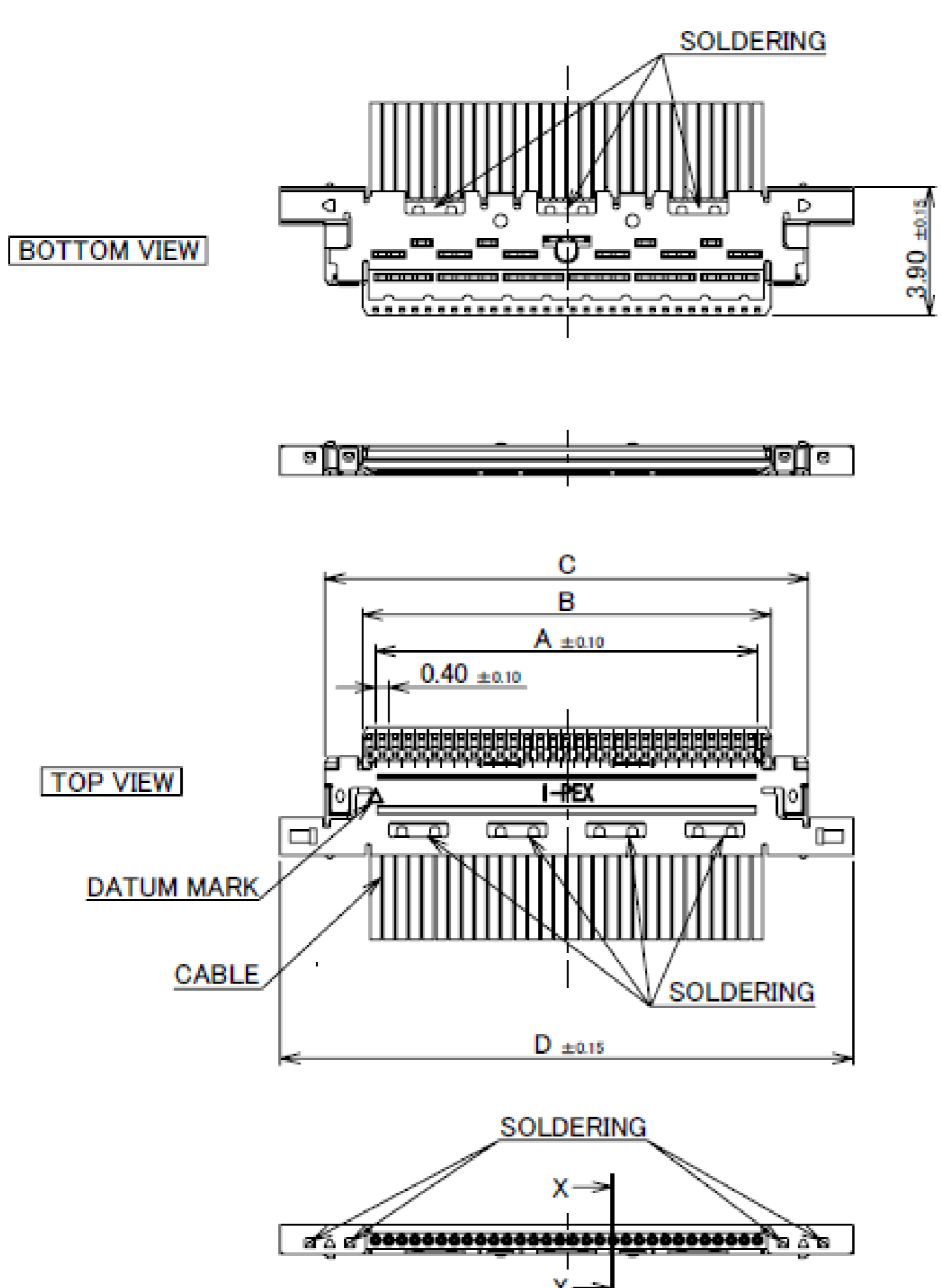
NO.	DISCRIPTION	MATERIAL	FINISH , REMARKS
5	PULL BAR	SUS	
4	SHELL B	PHOSPHOR BRONZE	SEE ABOVE TABLE.1
3	SHELL A	PHOSPHOR BRONZE	SEE ABOVE TABLE.1
2	CONTACT	PHOSPHOR BRONZE	SEE ABOVE TABLE.1
1	HOUSING	LCP	UL94V-0. BLACK

Rev.12

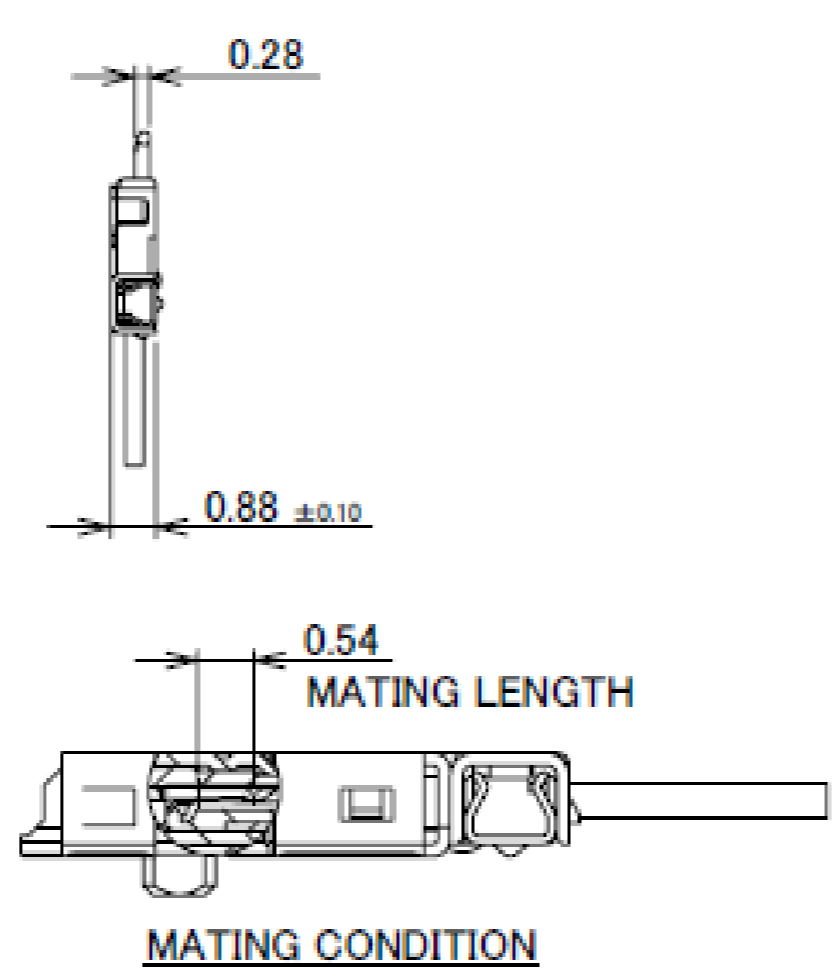
Recommended P/N		20633-2**T-01S(12~60P)				20633-310T-01S(10P)	
PART NO.	POS.	A	B	C	D		
20633-#10T-02S	10	3.60	4.40	6.66	9.40		
20633-#12T-02S	12	4.40	5.20	7.46	10.20		
20633-#20T-02S	20	7.60	8.40	10.66	13.40		
20633-#30T-02S	30	11.60	12.40	14.66	17.40		
20633-#40T-02S	40	15.60	16.40	18.66	21.40		
20633-#50T-02S	50	19.60	20.40	22.66	25.40		
20633-#60T-02S	60	23.60	24.40	26.66	29.40		

P/N : 20633- # ** T-0 # S
 1 : WITH PULL BAR
 2 : WITHOUT PULL BAR
 Pos.
 SEE TABLE.1 (SHEET1/5)

WITHOUT PULL BAR



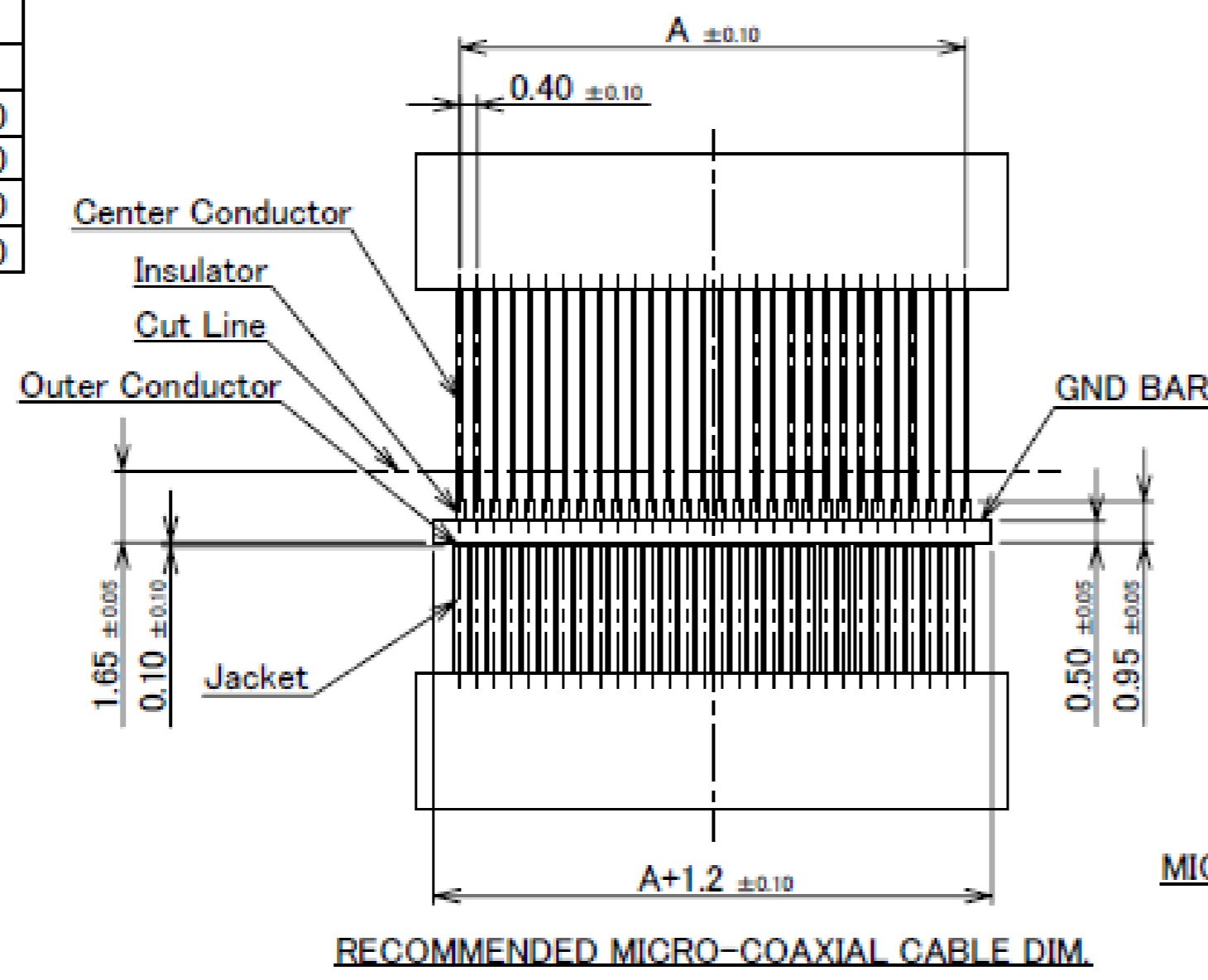
CABLE ASS'Y PART NO.	HOUSING ASS'Y PART NO.	SHELL-A PART NO.	PULL BAR PART NO.
20633-2**T-02S	20634-1**T-02	2764-0**1-002	-
20633-3**T-02S	20634-2**T-02	2764-0**1-003	



Rev.12

Plug for Cable Assembly

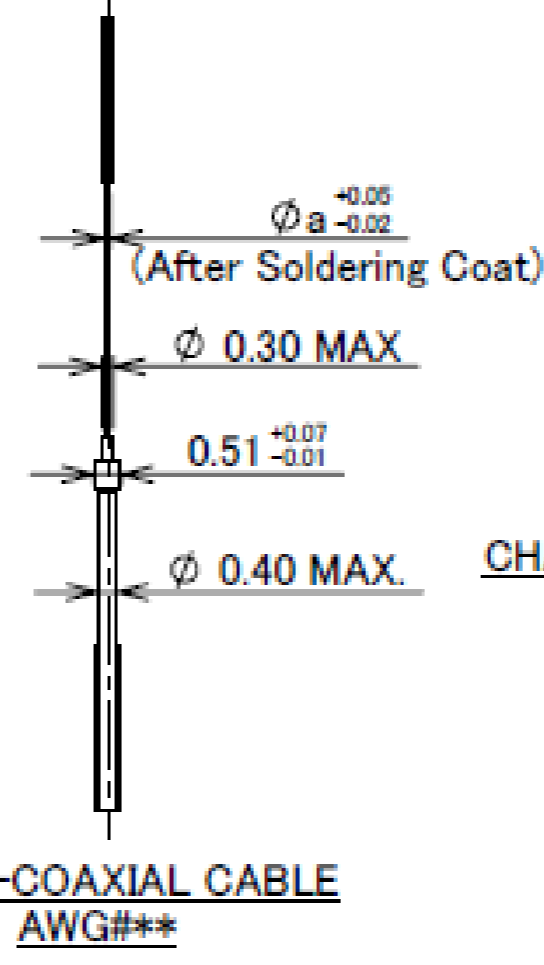
PART NO.	POS.	A
20633-#10T-0#S	10	3.60
20633-#12T-0#S	12	4.40
20633-#20T-0#S	20	7.60
20633-#30T-0#S	30	11.60
20633-#40T-0#S	40	15.60
20633-#50T-0#S	50	19.60
20633-#60T-0#S	60	23.60



RECOMMENDED MICRO-COAXIAL CABLE DIM.

CHARACTERISTIC IMPEDANCE MATCHING MICRO-COAXIAL CABLE

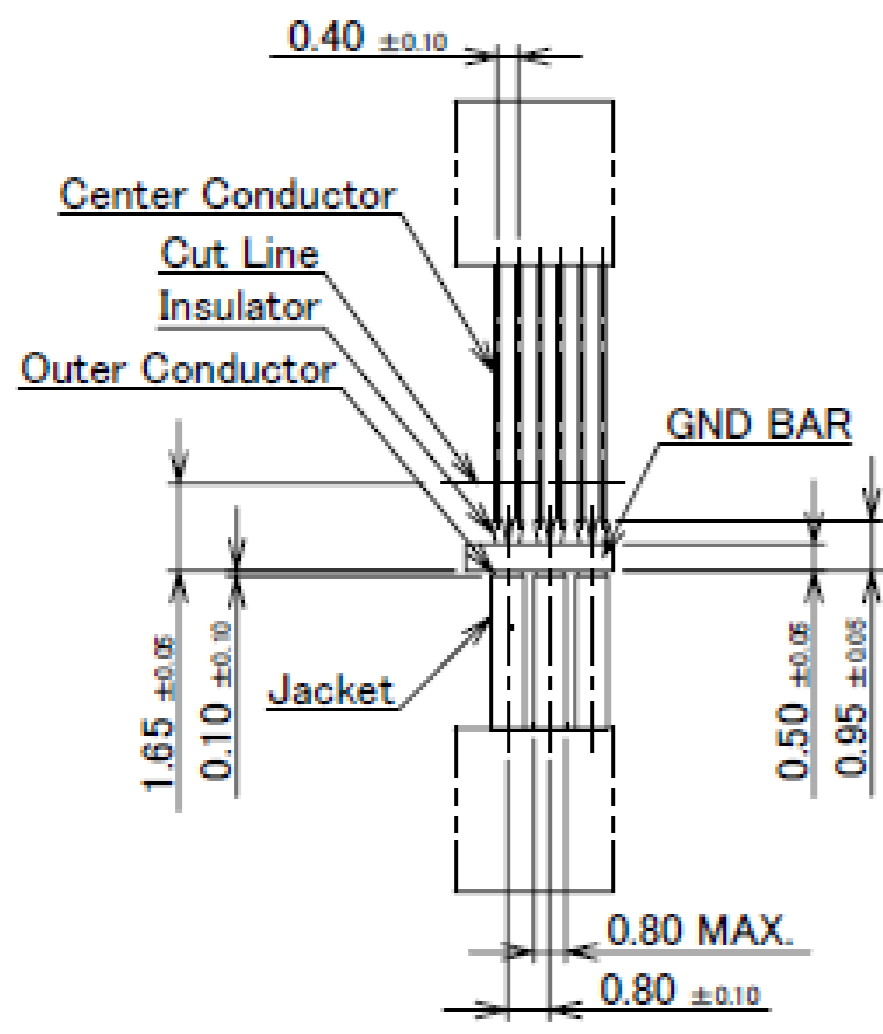
	a
#38	0.12
#40	0.09
#42	0.075
#44	0.063



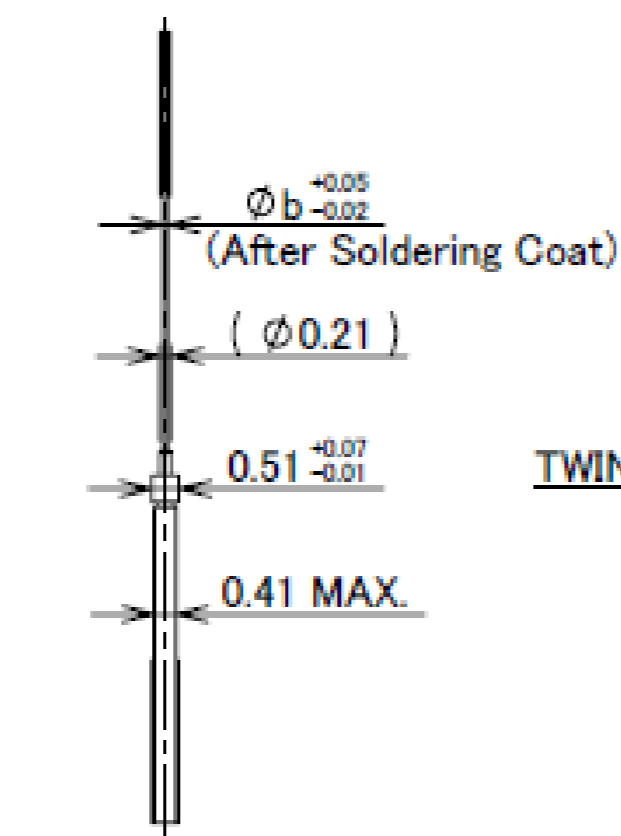
CHARACTERISTIC IMPEDANCE UN-MATCHING MICRO-COAXIAL CABLE

	a
#36	0.15

MICRO-COAXIAL CABLE #36 : NOT RECOMMENDED FOR HIGH SPEED SIGNAL TRANSFER



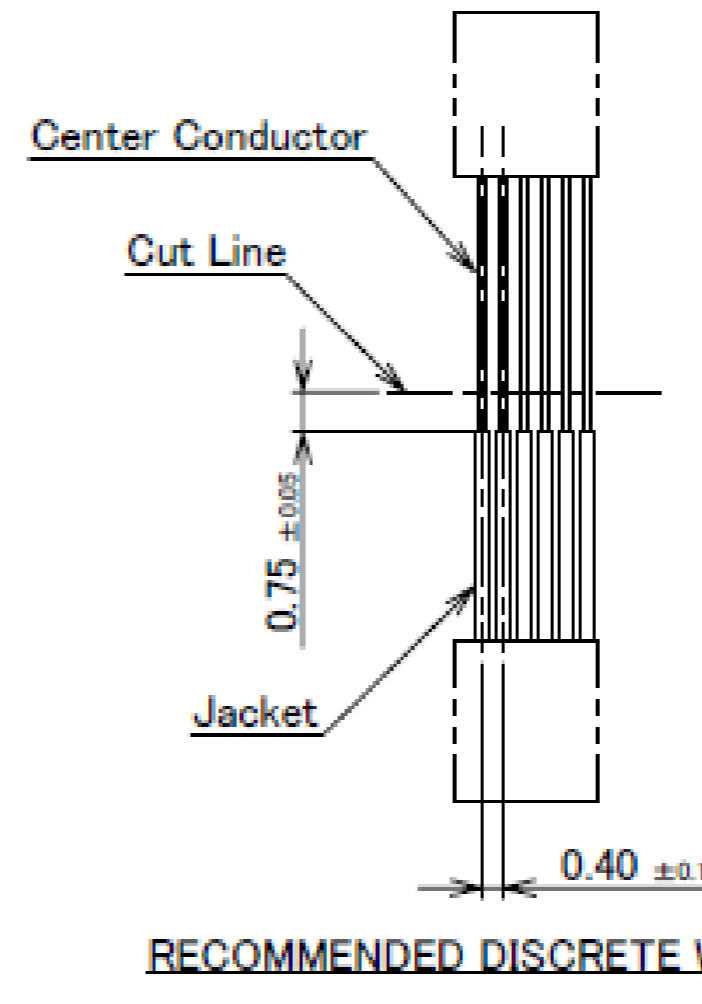
RECOMMENDED TWINAX CABLE DIM.



TWINAX CABLE DIMENSION

	b
#40	0.09
#42	0.075

TWINAX CABLE AWG#**



RECOMMENDED DISCRETE WIRE DIM.

DISCRETE WIRE DIMENSION

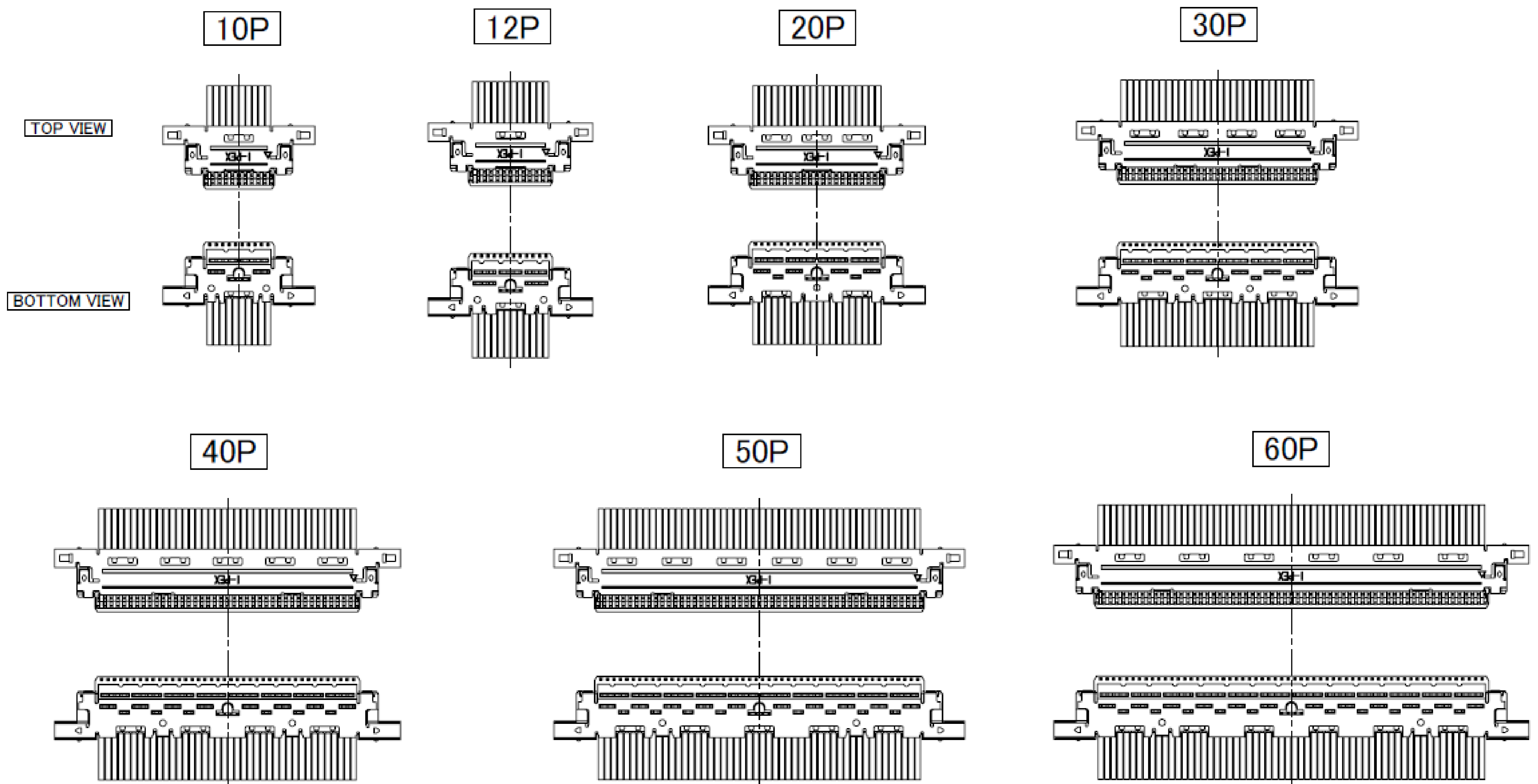
	c
#34	0.192
#36	0.15

DISCRETE WIRE AWG#**

Rev.12

PART NO.
20633-##T-0#S

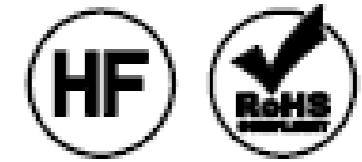
THE EXTERNAL APPEARANCE



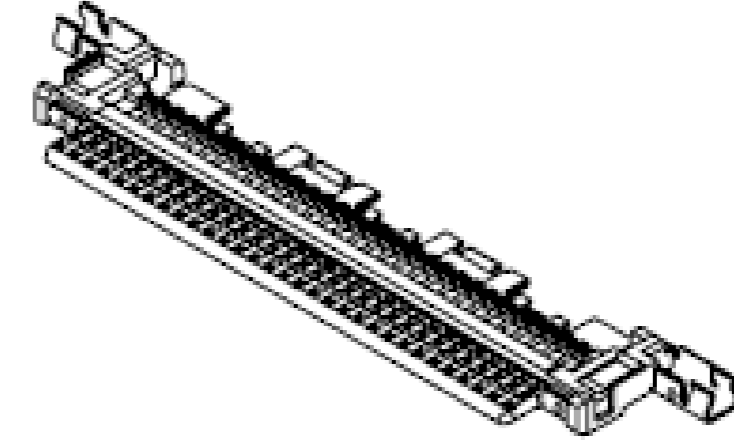
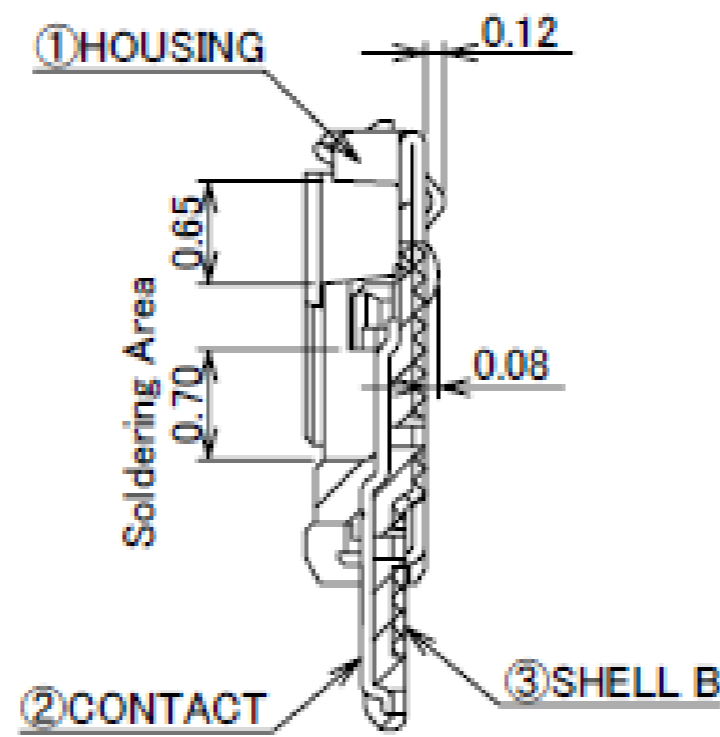
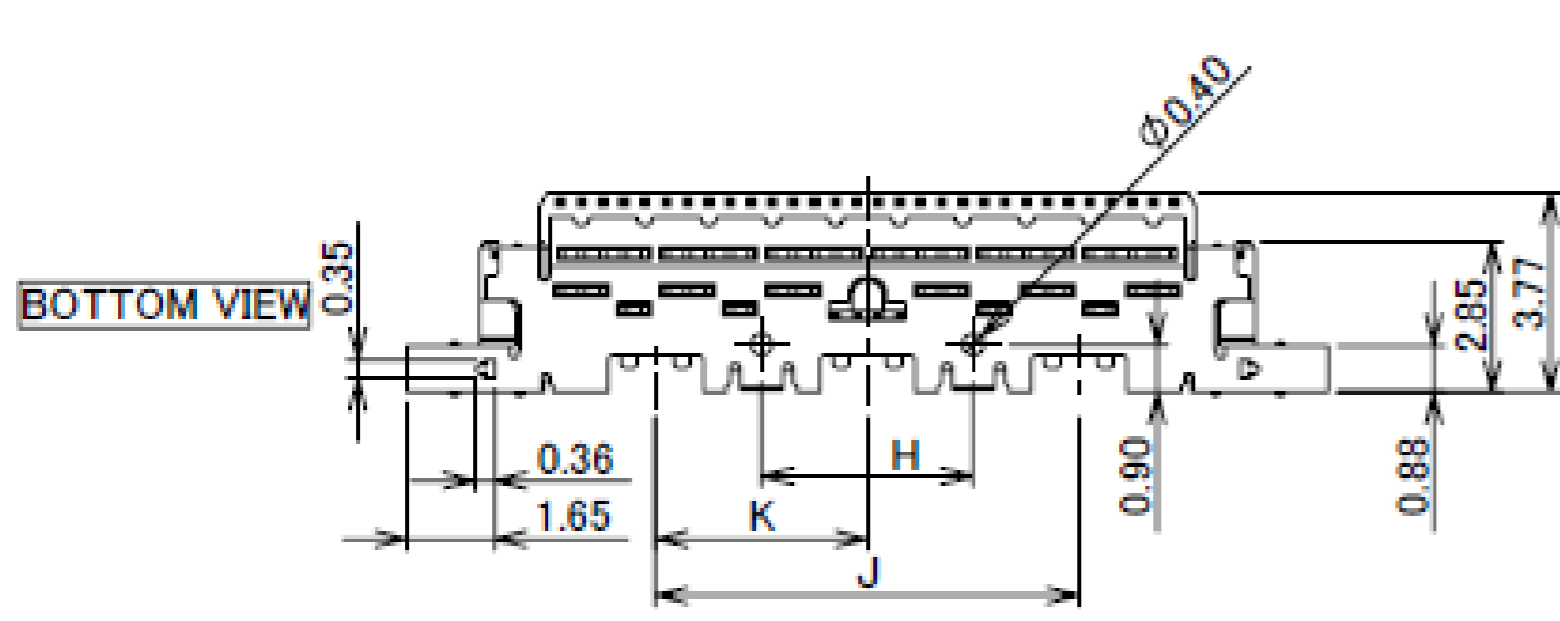
Rev.12

Plug Housing Assembly

Recommended P/N	20634-1**T-02(12~60P)						20634-210T-02(10P)				
PART NO.	Pos.	A	B	C	D	E	F	G	H	J	K
20634-#10T-02	10	5.10	4.65	4.30	3.60	4.40	6.66	9.40	3.40	-	-
20634-#12T-02	12	5.90	5.45	5.10	4.40	5.20	7.46	10.20	4.10	-	-
20634-#20T-02	20	9.10	8.65	8.30	7.60	8.40	10.66	13.40	-	5.00	-
20634-#30T-02	30	13.10	12.65	12.30	11.60	12.40	14.66	17.40	4.00	8.00	4.00
20634-#40T-02	40	17.10	16.65	16.30	15.60	16.40	18.66	21.40	8.00	12.00	4.00
20634-#50T-02	50	21.10	20.65	20.30	19.60	20.40	22.66	25.40	12.00	16.00	4.00
20634-#60T-02	60	25.10	24.65	24.30	23.60	24.40	26.66	29.40	16.00	20.00	4.00



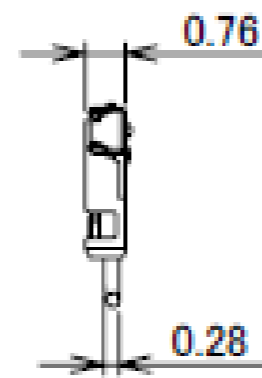
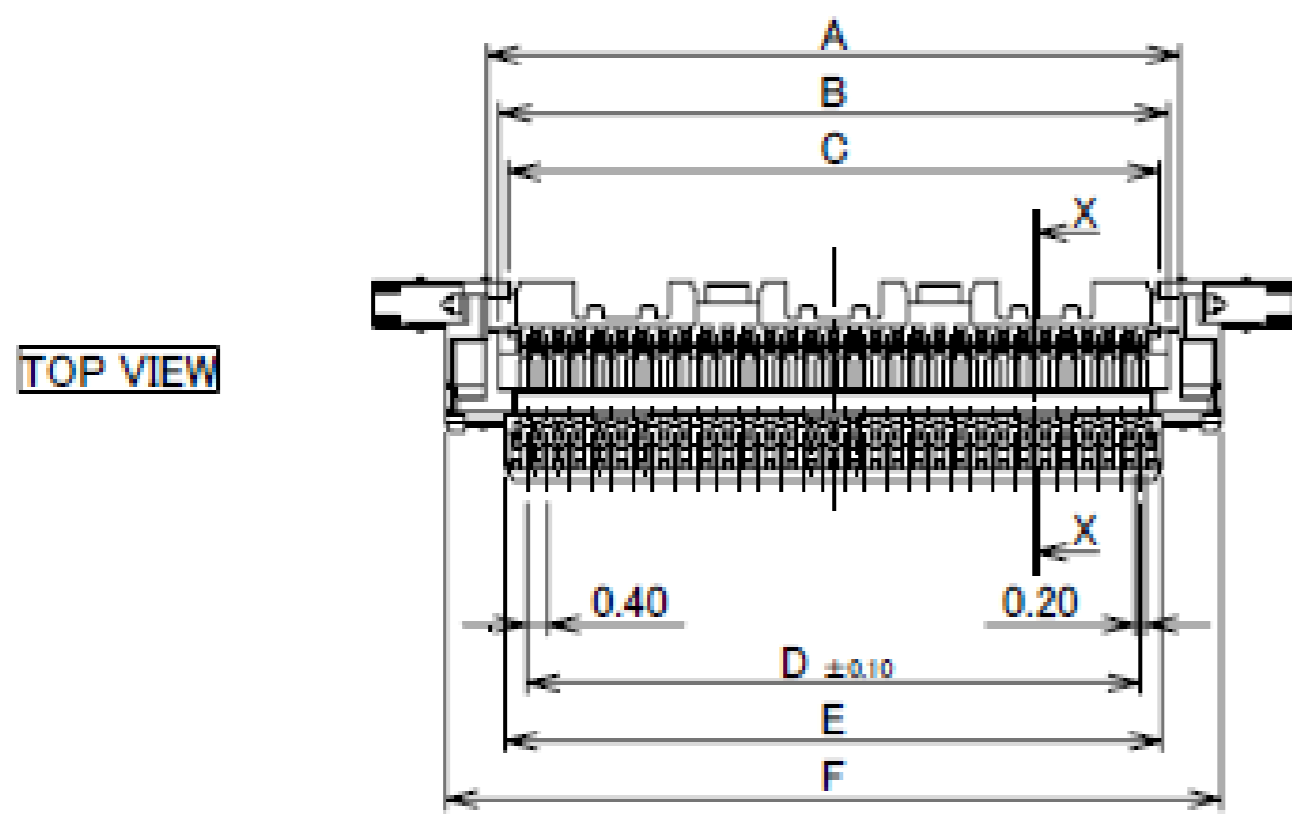
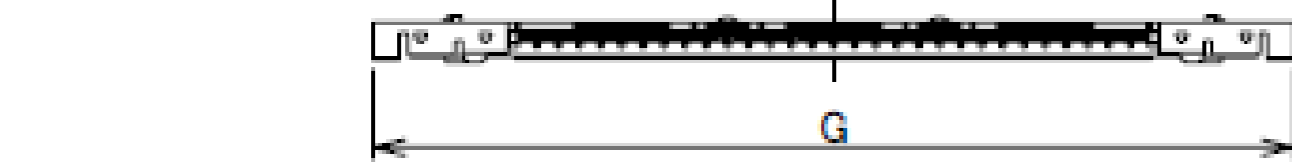
P/N: 20634-#**T-02
 ↳ POS.
 ↳ SEE TABLE.1



NOTES
 1. THIS PART IS ASSEMBLED WITH SHELL A(P/N 2764-0**1-00#)
 AND PULL BAR(P/N 2766-0**1) AFTER SOLDERED THE CABLE,
 AND IT BECOMES P/N 20633-#**T-0#S

TABLE.1

PART NO.	CONTACT FINISH	SHELL B FINISH
20634-1**T-02	CONTACT AREA Au 0.1 μm MIN. OVER Ni 1.00 μm MIN. SOLDERING AREA Au 0.05 μm MIN. OVER Ni 1.00 μm MIN.	TOP SIDE Ni 1.00 μm MIN.(THERE IS THE POSSIBILITY THAT Au ATTACHES RANDOMLY) BOTTOM SIDE Au 0.03 μm MIN. OVER Ni 1.00 μm MIN.
20634-2**T-02	CONTACT AREA Au 0.03 μm MIN. OVER Ni 1.00 μm MIN. SOLDERING AREA Au 0.03 μm MIN. OVER Ni 1.00 μm MIN.	PARTIAL Au 0.003 μm MIN. OVER Ni 1.00 μm MIN.



NO.	DISCRIPTION	MATERIAL	FINISH , REMARKS
3	SHELL-B	PHOSPHOR BRONZE	SEE ABOVE TABLE.1
2	CONTACT	PHOSPHOR BRONZE	SEE ABOVE TABLE.1
1	HOUSING	LCP	UL94V-0, BLACK

Rev.11

Plug Shell-A

Recommended P/N	2764-0**1-002(12~60P)				2764-0101-003(10P)
PART NO.	A	B	C	D	E
2764-0101-00#	9.40	3.88	6.66	-	-
2764-0121-00#	10.20	4.68	7.46	-	-
2764-0201-00#	13.40	7.88	10.66	2.50	5.00 [= 2.50 × (3 - 1)]
2764-0301-00#	17.40	11.88	14.66	3.00	9.00 [= 3.00 × (4 - 1)]
2764-0401-00#	21.40	15.88	18.66	3.25	13.00 [= 3.25 × (5 - 1)]
2764-0501-00#	25.40	19.88	22.66	3.40	17.00 [= 3.40 × (6 - 1)]
2764-0601-00#	29.40	23.88	26.66	4.00	20.00 [= 4.00 × (6 - 1)]

P/N: 2764-0**1-00#
 ↳ POS.
 ↳ SEE TABLE.1

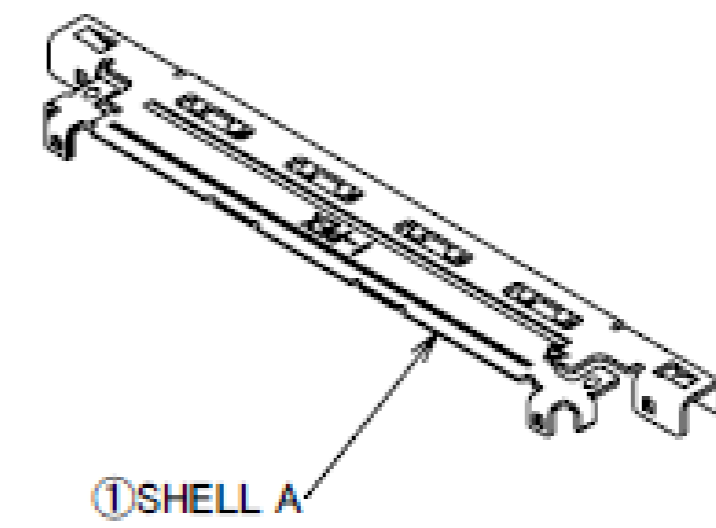
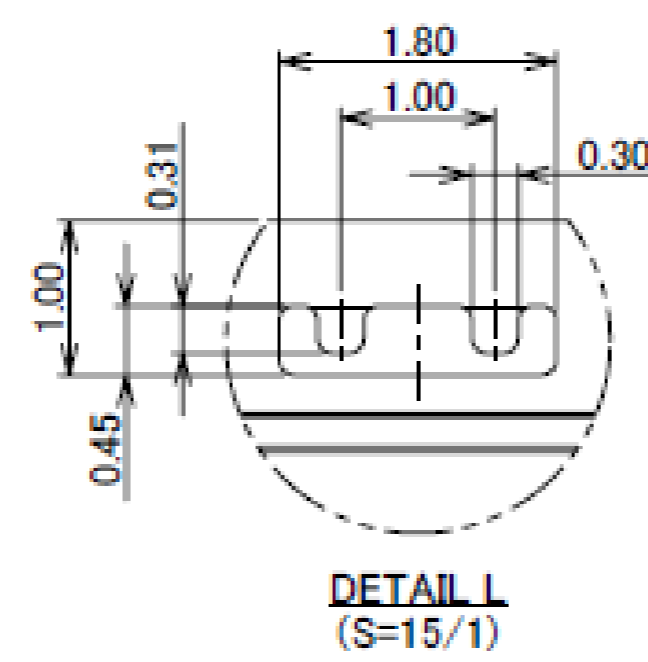
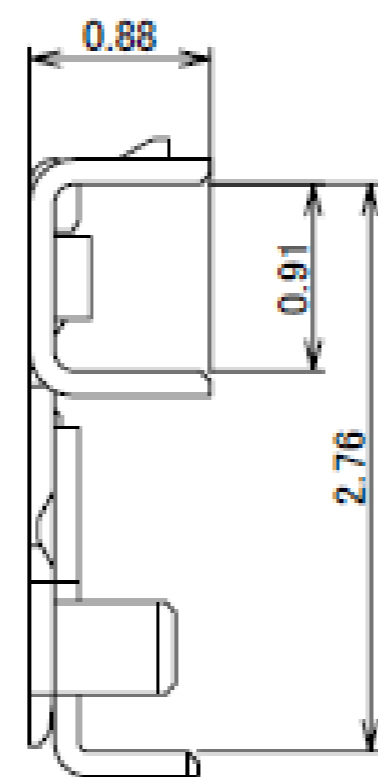
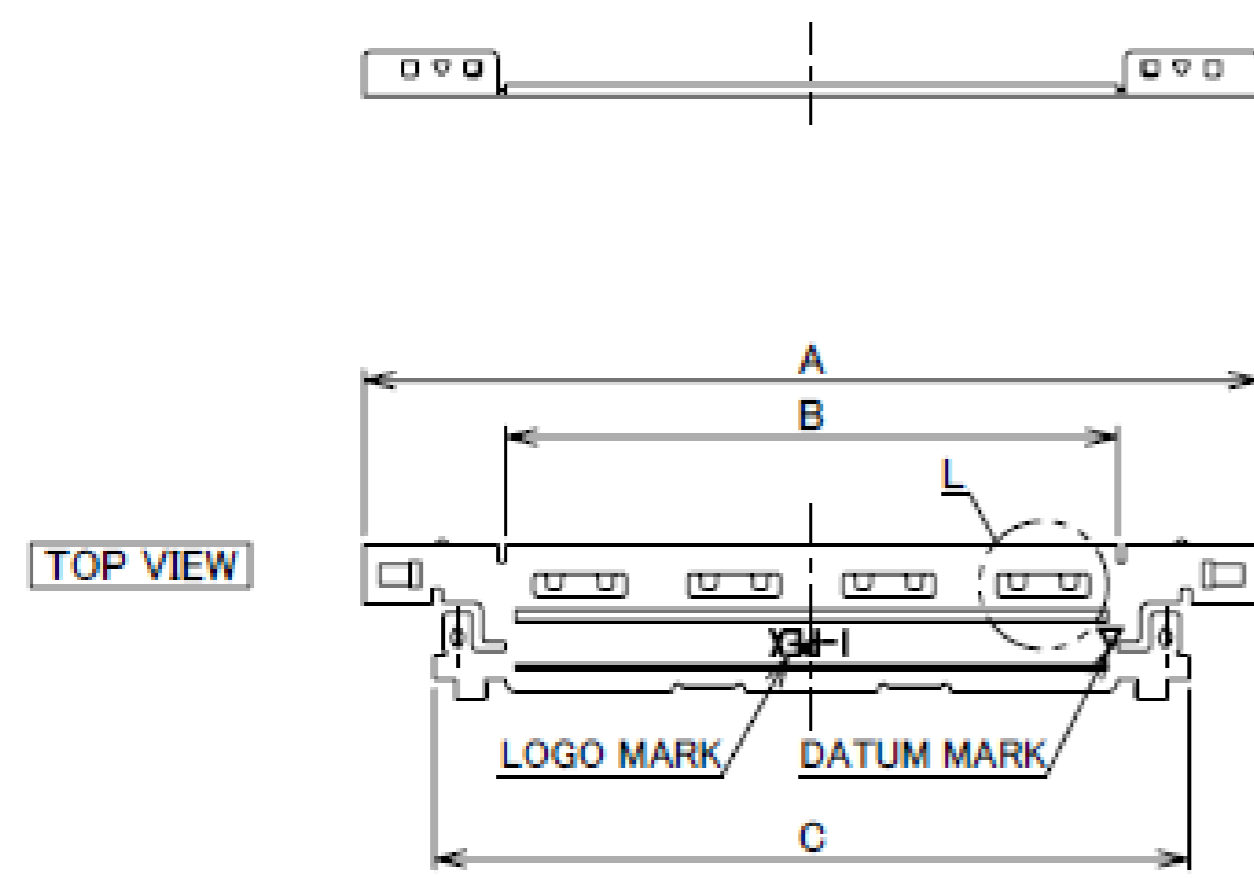
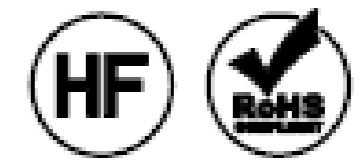
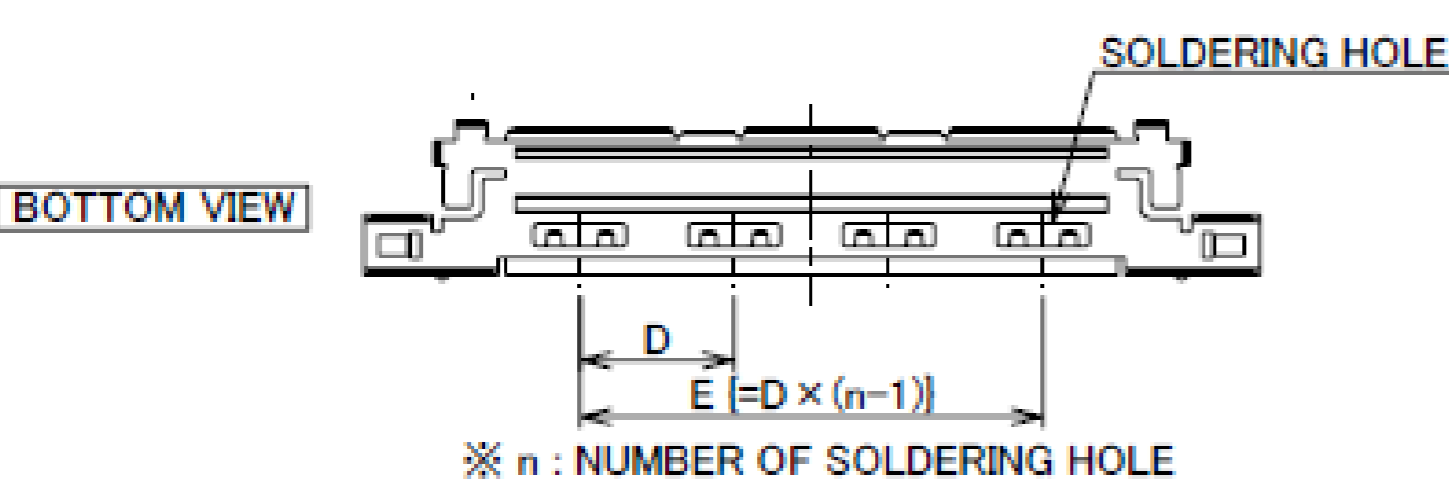


TABLE.1

PART NO.	SHELL A FINISH
2764-0**1-002	TOP SIDE Au 0.03 μm MIN. OVER Ni 1.00 μm MIN. BOTTOM SIDE Ni 1.00 μm MIN.(THERE IS THE POSSIBILITY THAT Au ATTACHES RANDOMLY)
2764-0**1-003	PARTIAL Au 0.003 μm MIN. OVER Ni 1.00 μm MIN.



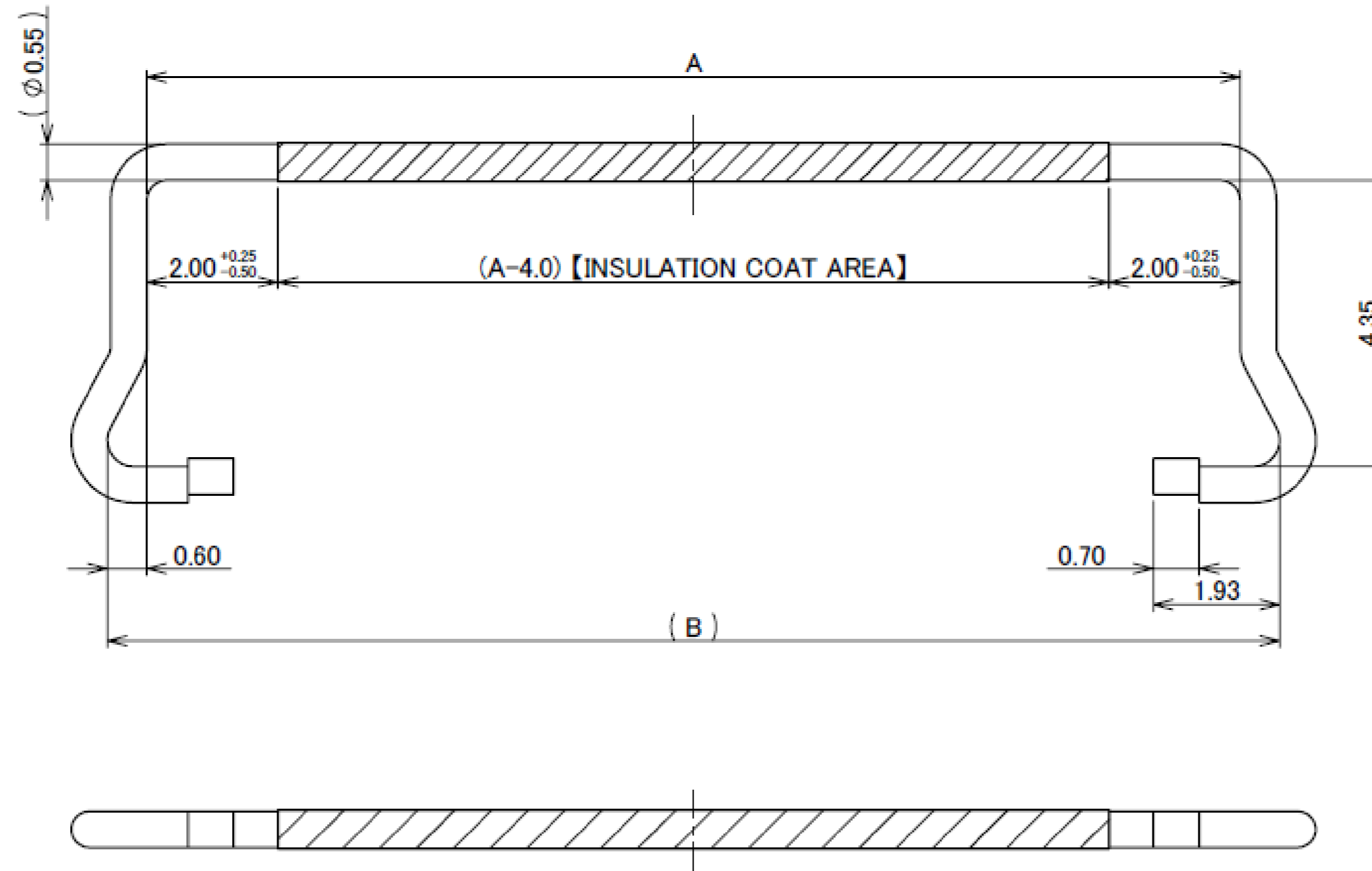
NO.	DISCRIPTION	MATERIAL	FINISH , REMARKS
1	SHELL A	PHOSPHOR BRONZE	SEE ABOVE TABLE.1

Rev.11

Plug Pull Bar

Recommended P/N			2766-0**1	
PART NO.	A	B		
2766-0101	8.65	9.85		
2766-0121	9.45	10.65		
2766-0201	12.65	13.85		
2766-0301	16.65	17.85		
2766-0401	20.65	21.85		
2766-0501	24.65	25.85		
2766-0601	28.65	29.85		

P/N: 2766-0**1
POS.



NO.	DISCRIPTION	MATERIAL	FINISH , REMARKS
1	PULL BAR	SUS	

Rev.14

Receptacle Assembly

Recommended P/N		20525-0**E-02(12~60P)					20525-210E-02(10P)	
PART NO.	POS.	A	B	C	D	F		
20525-#10E-02	10	5.40	3.60	8.43	9.20	4.30		
20525-#12E-02	12	6.20	4.40	9.23	10.00	5.10		
20525-#20E-02	20	9.40	7.60	12.43	13.20	8.30		
20525-#30E-02	30	13.40	11.60	16.43	17.20	12.30		
20525-#40E-02	40	17.40	15.60	20.43	21.20	16.30		
20525-#50E-02	50	21.40	19.60	24.43	25.20	20.30		
20525-#60E-02	60	25.40	23.60	28.43	29.20	24.30		

P/N: 20525-#**E-02
POS. SEE TABLE 1

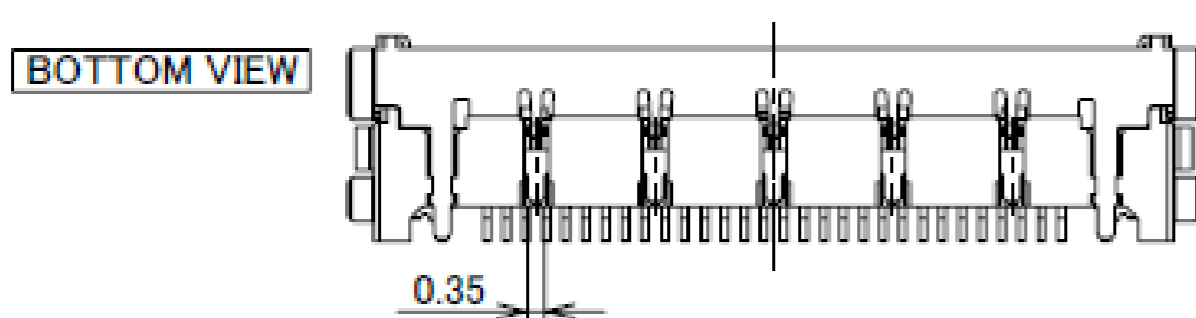
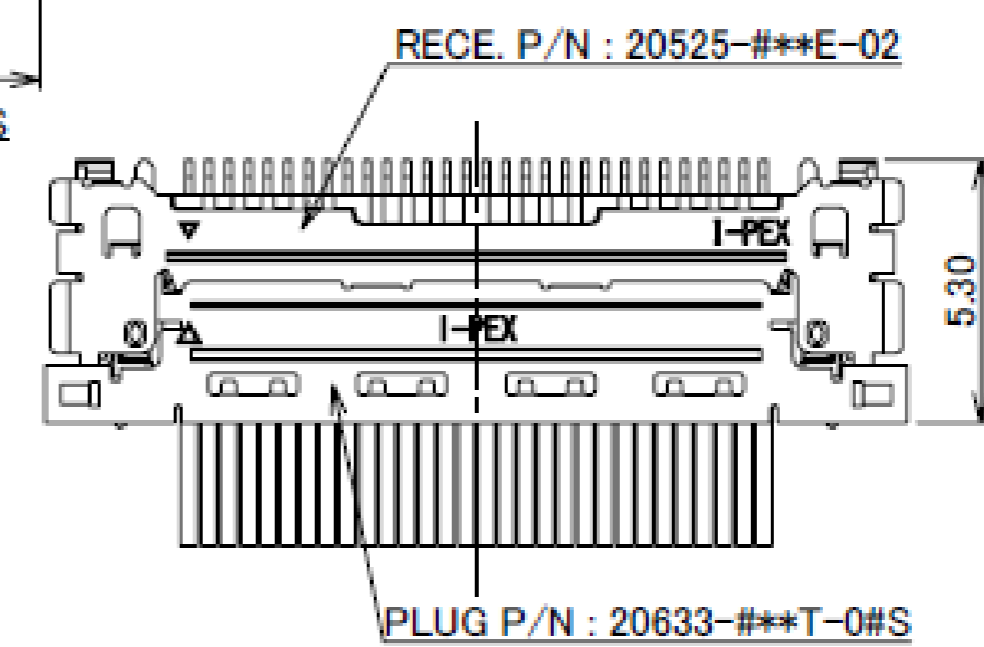
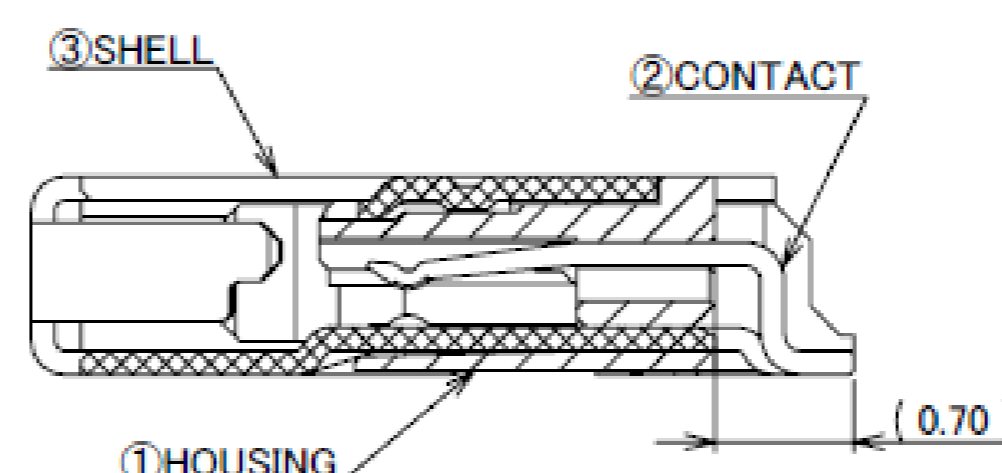
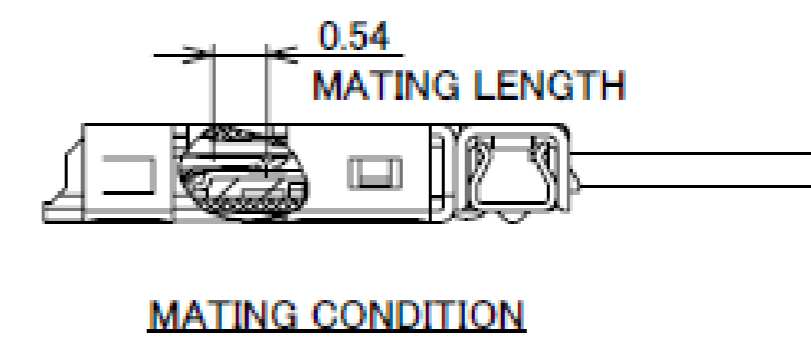
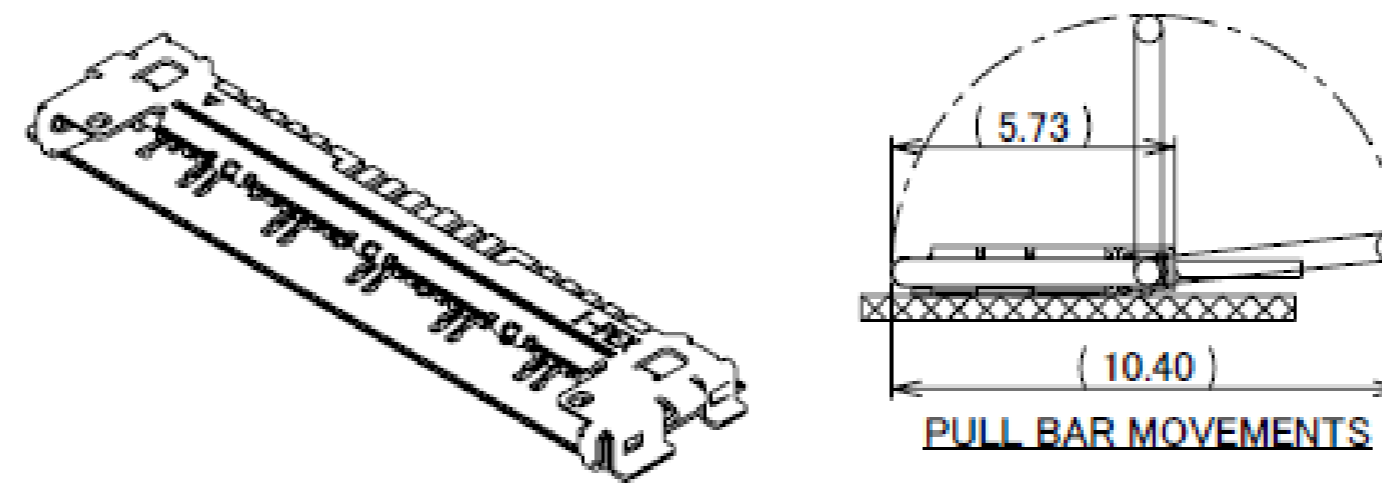
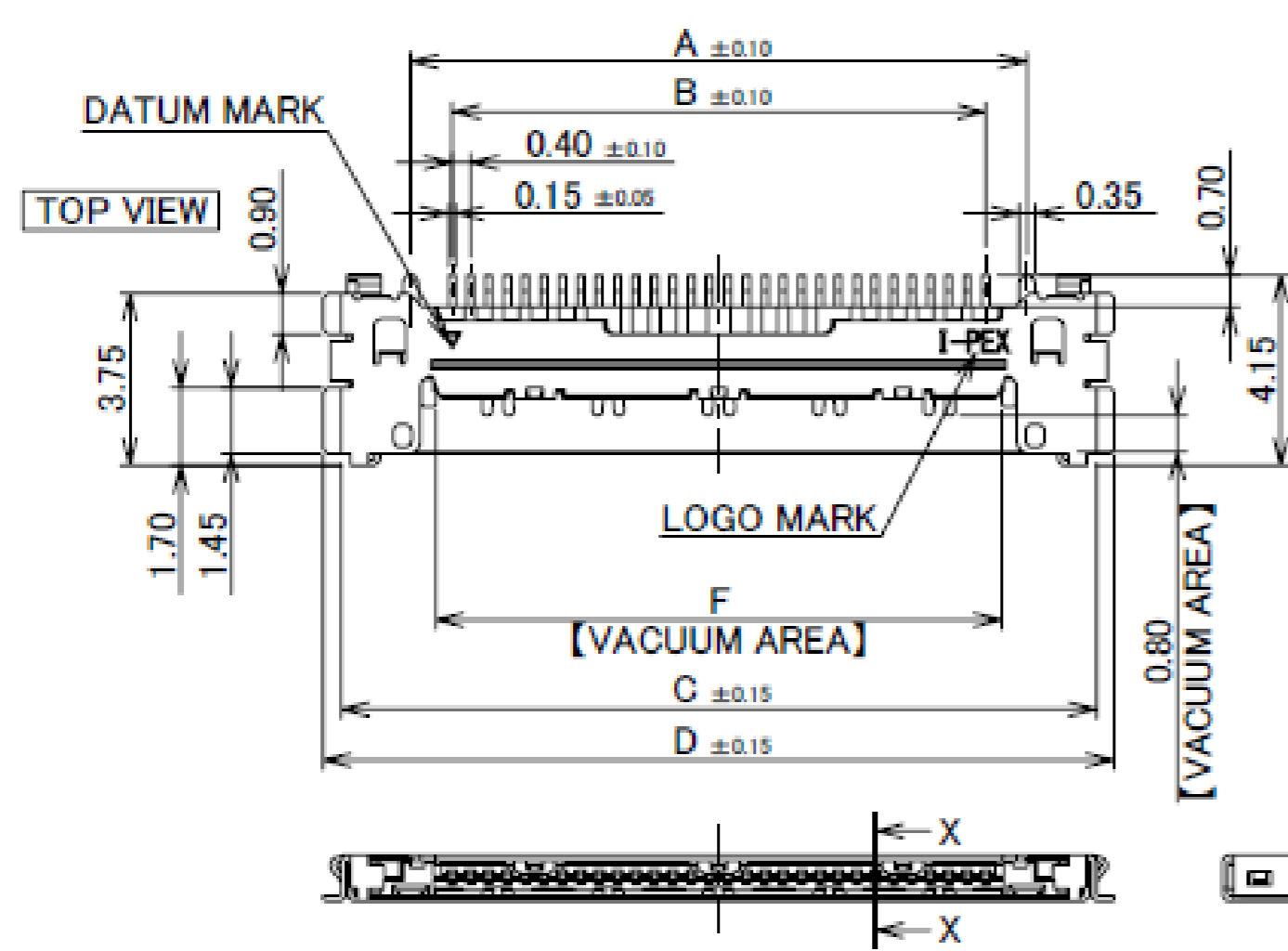
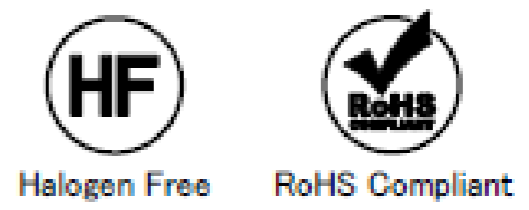


TABLE 1

PART NO.	CONTACT FINISH	SHELL FINISH
20525-0**E-02	CONTACT AREA : Au 0.1 μm MIN. OVER Ni 1.00 μm MIN. SOLDERING AREA : Au 0.03 μm MIN. OVER Ni 1.00 μm MIN.	ALL OVER Au 0.02 μm MIN. OVER Ni 1.00 μm MIN. CONTACT AREA : Au 0.02 μm MIN. OVER Ni 0.80 μm MIN.
20525-2**E-02	CONTACT AREA : Au 0.03 μm MIN. OVER Ni 1.00 μm MIN. SOLDERING AREA : Au 0.03 μm MIN. OVER Ni 1.00 μm MIN.	ALL OVER Ni 1.00 μm MIN. SOLDERING AREA : Au 0.02 μm MIN.

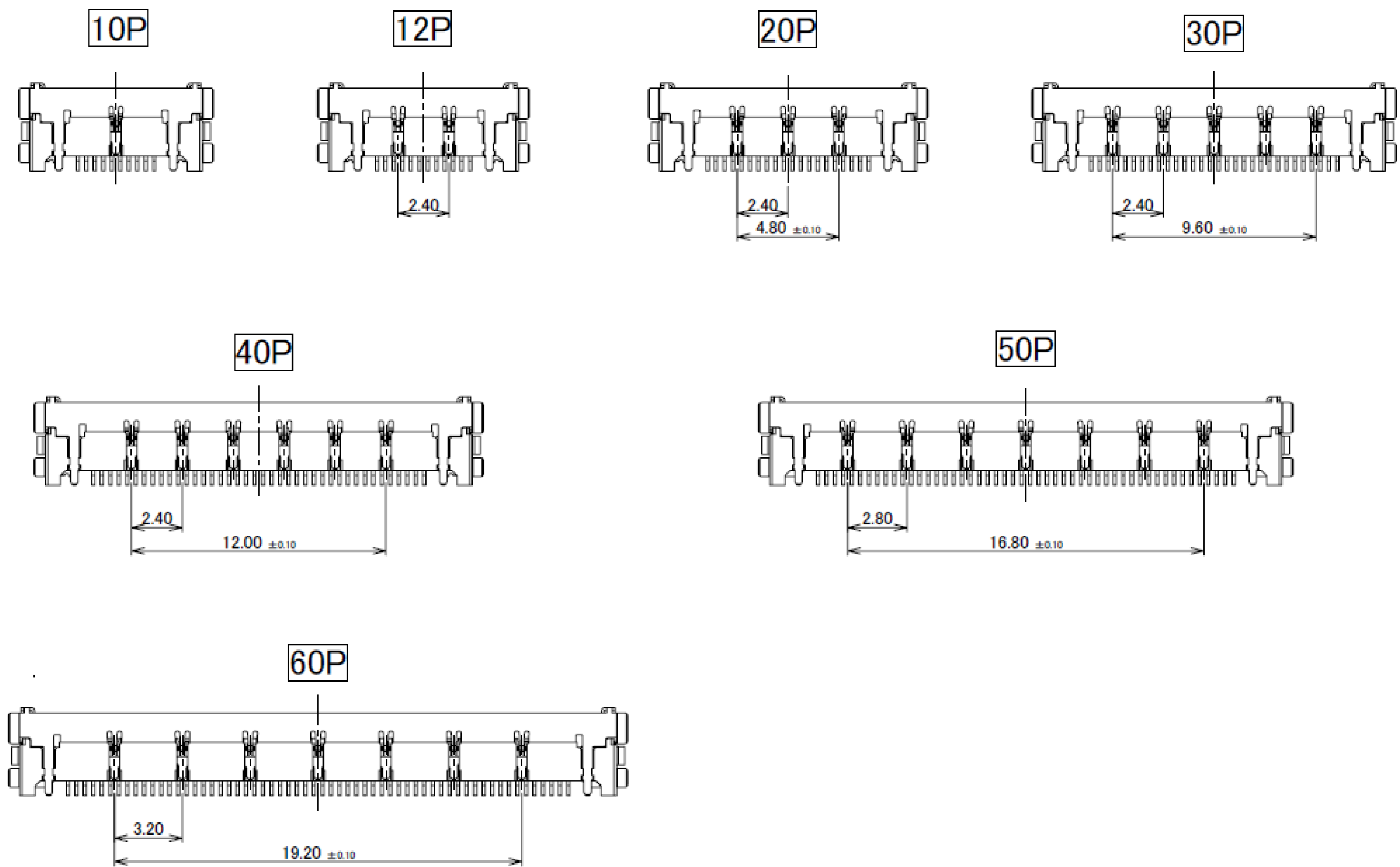
NO.	DISCRIPTION	MATERIAL	FINISH , REMARKS
3	SHELL	PHOSPHOR BRONZE	SEE TABLE 1
2	CONTACT	PHOSPHOR BRONZE	SEE TABLE 1
1	HOUSING	LCP	UL94V-0, BLACK

Rev.28

Receptacle Assembly

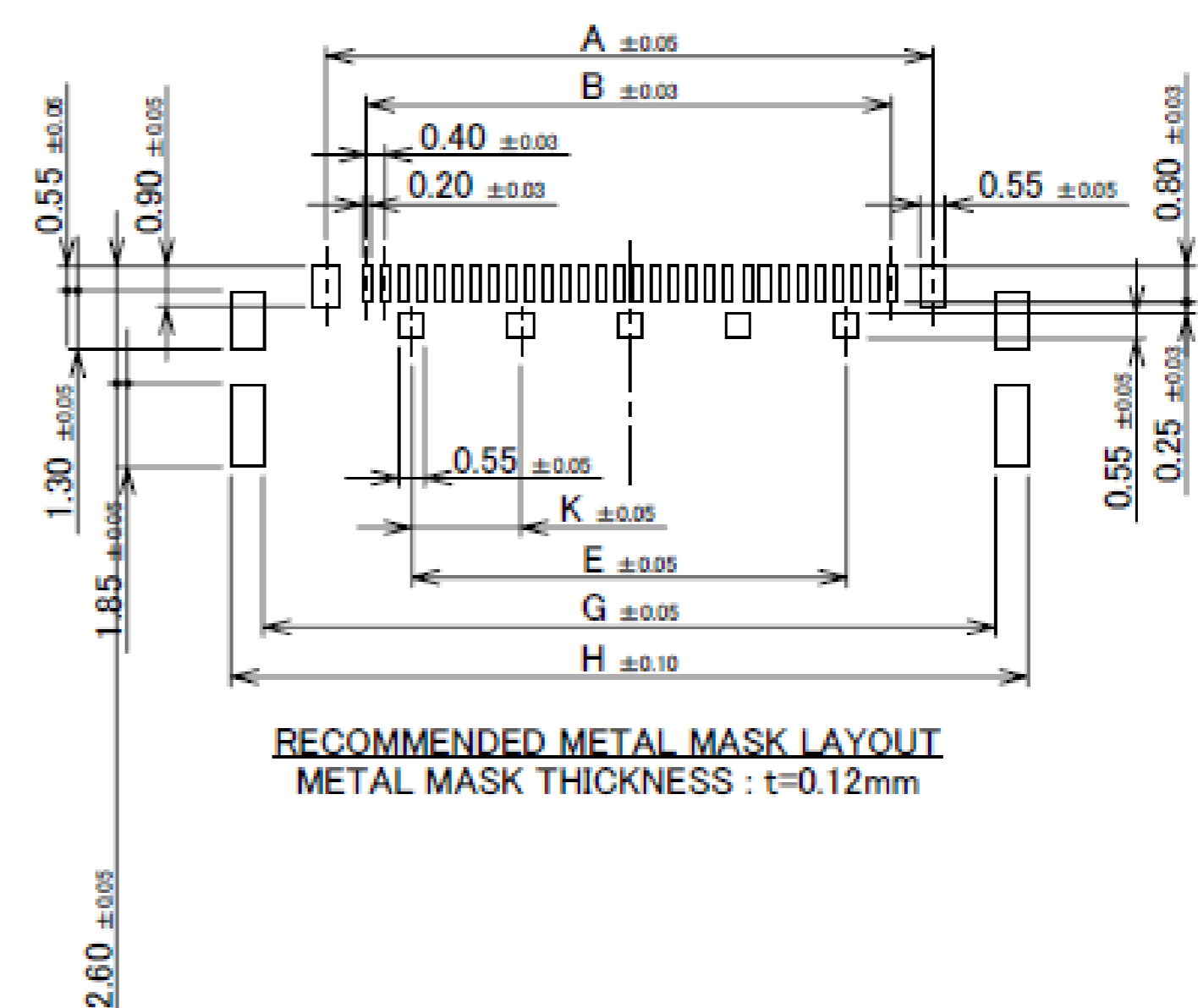
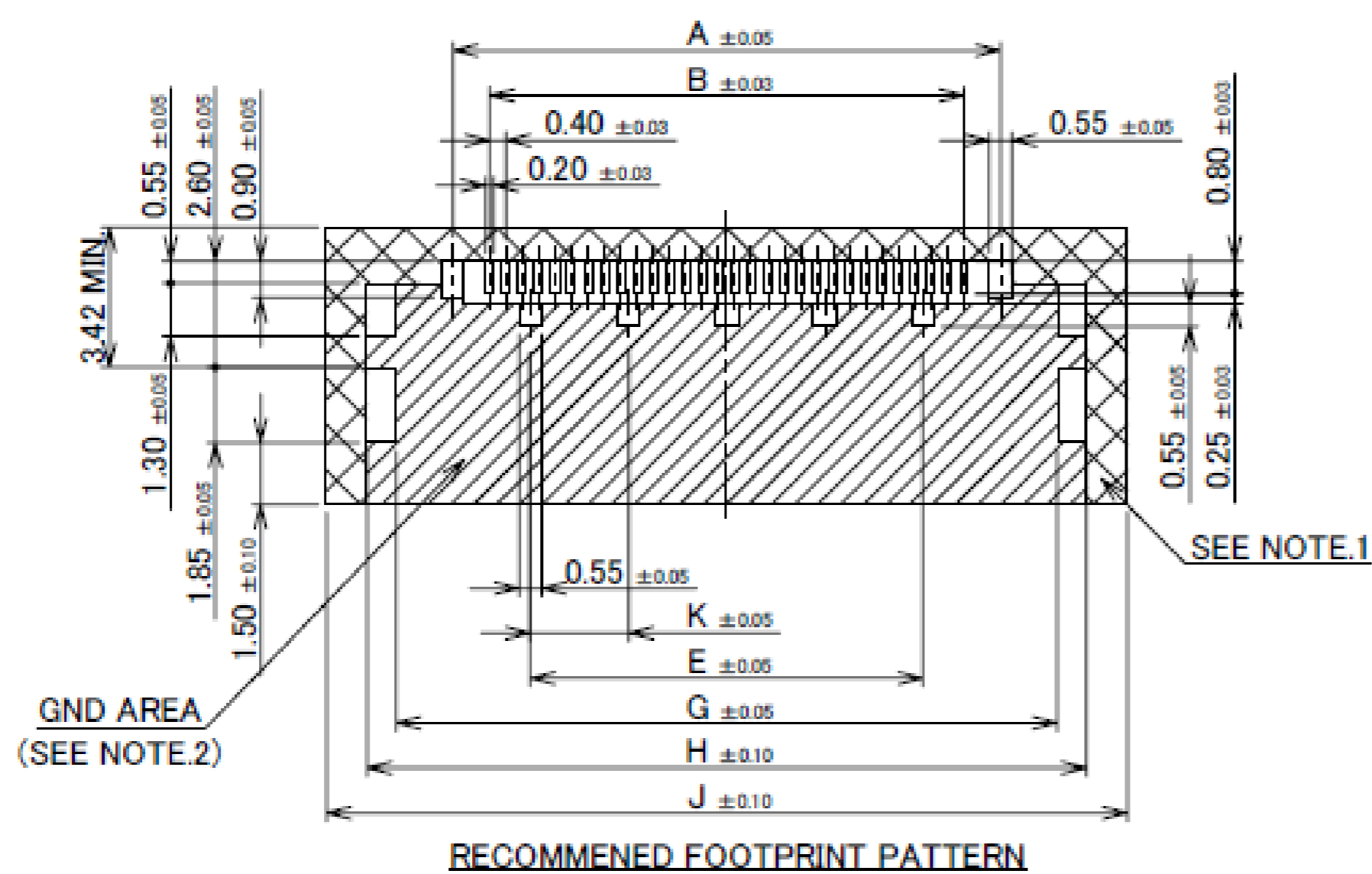
PART NO.
20525-##*E-02

BOTTOM VIEW



Rev.28

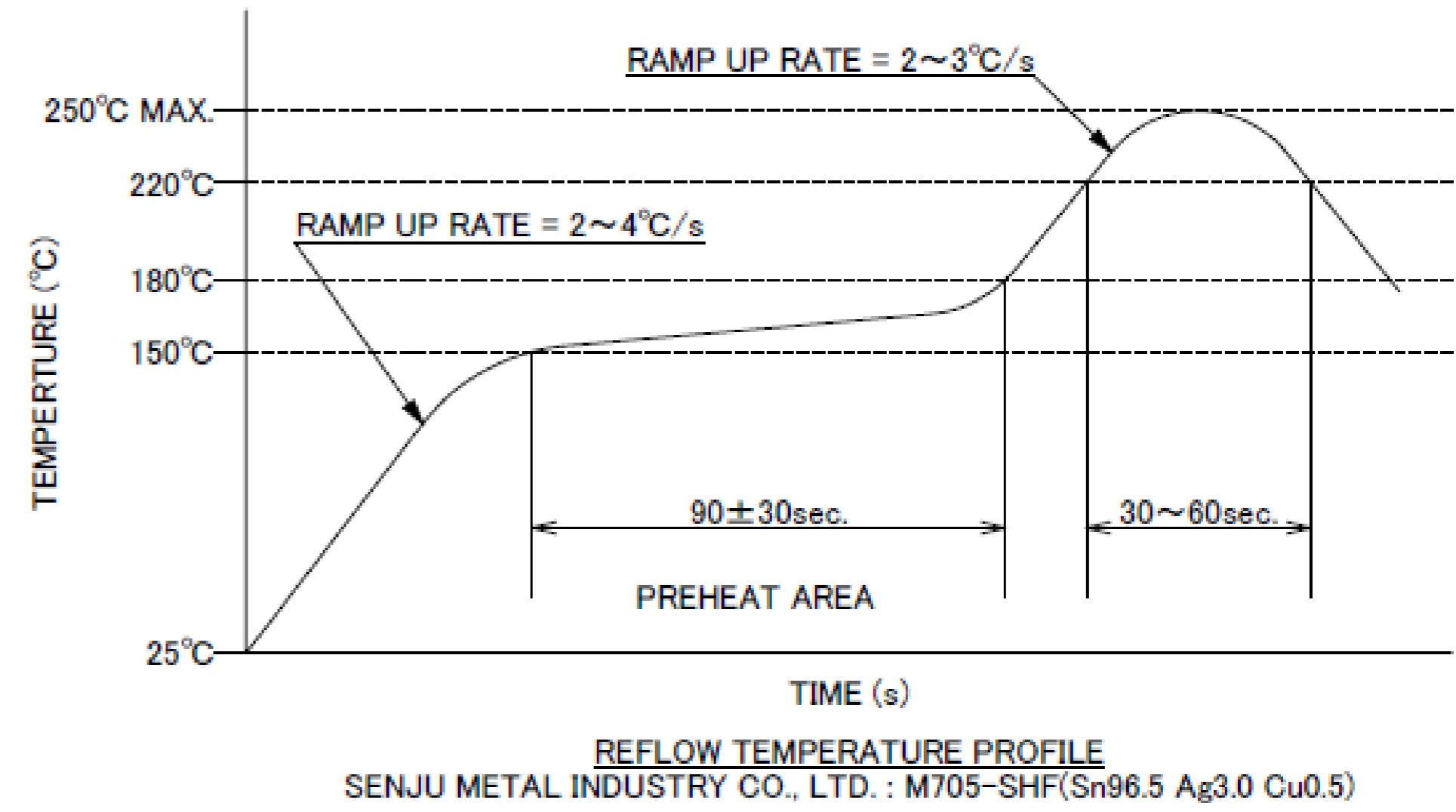
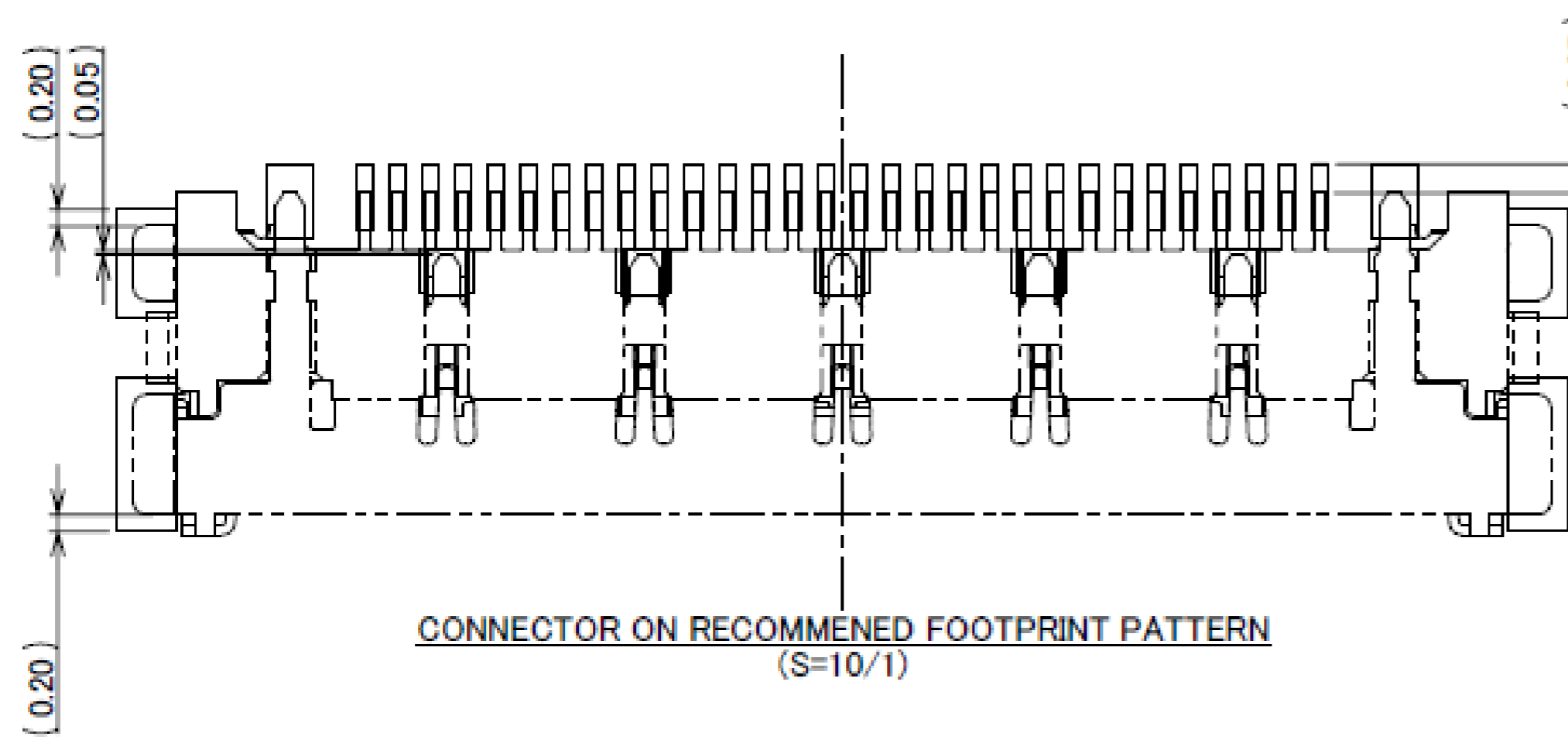
PART NO.	POS.	A	B	E	G	H	J	K
20525-#10E-02	10	5.40	3.60	-	8.18	9.60	11.60	-
20525-#12E-02	12	6.20	4.40	2.40	8.98	10.40	12.40	-
20525-#20E-02	20	9.40	7.60	4.80	12.18	13.60	15.60	2.40
20525-#30E-02	30	13.40	11.60	9.60	16.18	17.60	19.60	2.40
20525-#40E-02	40	17.40	15.60	12.00	20.18	21.60	23.60	2.40
20525-#50E-02	50	21.40	19.60	16.80	24.18	25.60	27.60	2.80
20525-#60E-02	60	25.40	23.60	19.20	28.18	29.60	31.60	3.20



- NOTES.
1. IN CASE OF PLUG WITH PULL BAR(20633-##*T-01S), DO NOT MOUNT ANOTHER COMPONENT IN THIS AREA.
 2. SOLDER RESIST MUST BE APPLIED TO THIS AREA.

Rev.28

Receptacle Assembly



Rev.28

ITEMS	SPECIFICATION
APPLICABLE CABLE	MICRO-COAXIAL CABLE : AWG# 44 , 42 , 40 , 38 , 36 DISCRETE WIRE : AWG# 36, 34 TWINAX CABLE : AWG# 40 , 42
RATING VOLTAGE	100V AC (PER CONTACT PIN)
RATING AMPERAGE (FOR CONTACT)	0.1A AC/DC [AWG#44] PER CONTACT PIN/UP TO 60 CONTACTS 0.24A AC/DC [AWG#42] PER CONTACT PIN/UP TO 50 CONTACTS 0.3A AC/DC [AWG#40] PER CONTACT PIN/UP TO 40 CONTACTS 0.5A AC/DC [AWG#38] PER CONTACT PIN/UP TO 14 CONTACTS 0.8A AC/DC [AWG#36] PER CONTACT PIN/UP TO 6 CONTACTS 1.0A AC/DC [AWG#34] PER CONTACT PIN/UP TO 4 CONTACTS TESTING BY A REAL MACHINE IS RECOMMENDED BECAUSE TEMPERATURE RISE MAY AFFECTED BY ACTUAL SITUATION.
OPERATING TEMPERATURE	233~358K (-40°C~85°C)
OPERATING HUMIDITY	85% MAX. (NON-CONDENSING)
CONTACT RESISTANCE	INITIAL : 180mohm MAX. (AWG#34) / AFTER TEST : \triangle 140mohm MAX. 275mohm MAX. (AWG#36) 360mohm MAX. (AWG#38) 600mohm MAX. (AWG#40) 700mohm MAX. (AWG#42) 1080mohm MAX. (AWG#44)
GROUND SHELL RESISTANCE	INITIAL : 50mohm MAX. / AFTER TEST : \triangle 140mohm MAX.
INSULATION RESISTANCE	INITIAL : 1000Mohm MIN. / AFTER TEST : 500Mohm MIN.
DIELECTRIC WITHSTANDING VOLTAGE	AC250V 1min
DURABILITY	30 CYCLES
MATING FORCE (INITIAL / AFTER 30 CYCLES)	10P : 7.80N MAX. 40P : 19.40N MAX. 12P : 8.20N MAX. 50P : 24.25N MAX. 20P : 9.70N MAX. 60P : 29.10N MAX. 30P : 14.55N MAX.
UNMATING FORCE (INITIAL / AFTER 30 CYCLES)	10P : 1.00N MIN. 40P : 4.00N MIN. 12P : 1.20N MIN. 50P : 5.00N MIN. 20P : 2.00N MIN. 60P : 6.00N MIN. 30P : 3.00N MIN.
CABLE RETENTION FORCE	10P : 4.90N MIN. 40P : 19.60N MIN. 12P : 5.88N MIN. 50P : 24.50N MIN. 20P : 9.80N MIN. 60P : 29.40N MIN. 30P : 14.70N MIN.
PRODUCT SPECIFICATION	PRS-1968
TEST REPORT	TR-14122 (20525-0**E-0##) / TR-16023 (20525-2**E-0##)
INSTRUCTION MANUAL	HIM-09008
ASSEMBLY MANUAL	ASM-09005
APPEARANCE CRITERIA No.	QLS-A***

Rev.12

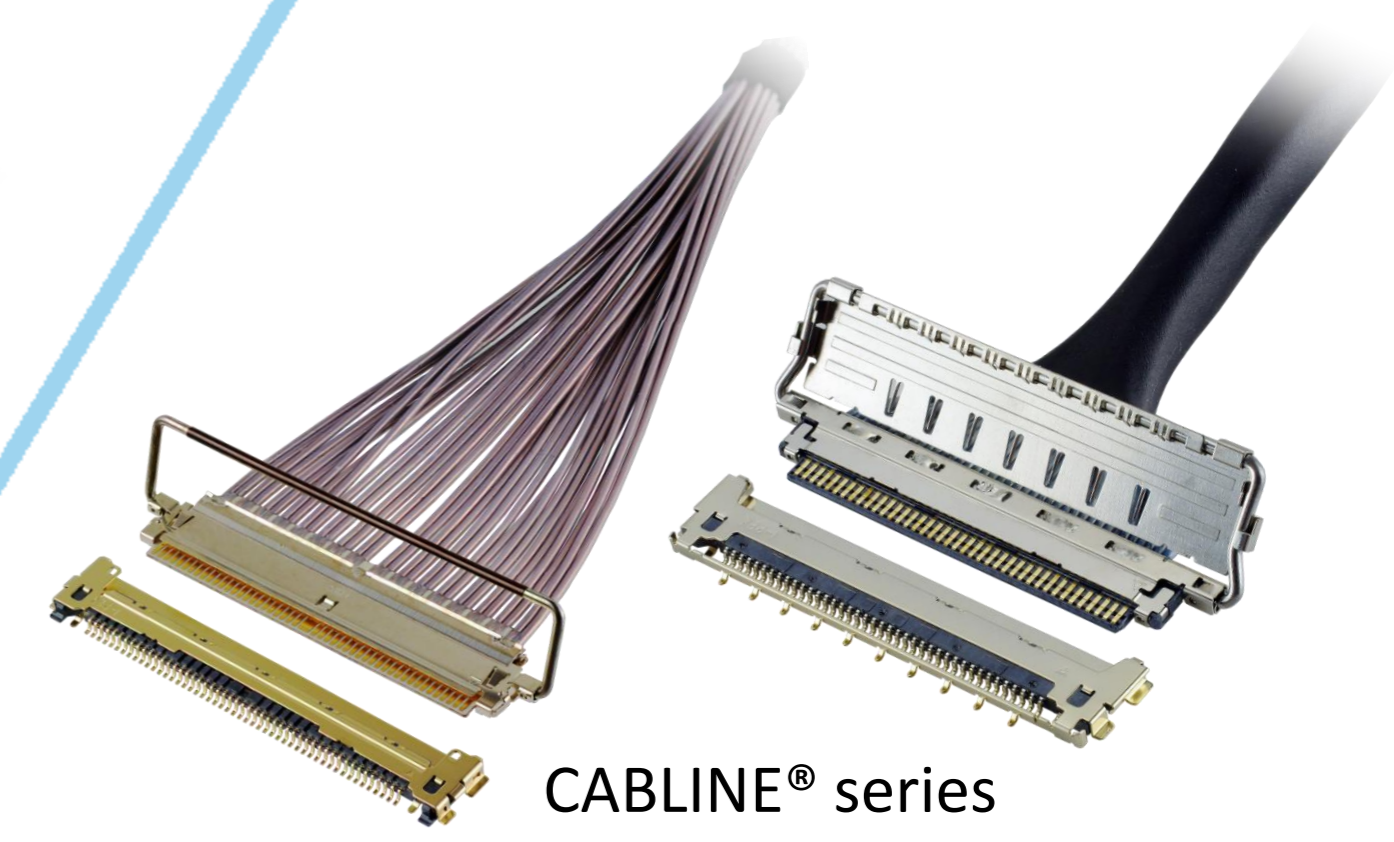
Custom Connectors Available

 RF Connector

MHF® series



CABLINA® series
Micro-coaxial/Twinax/
Discrete Wire Connector



Optical Module

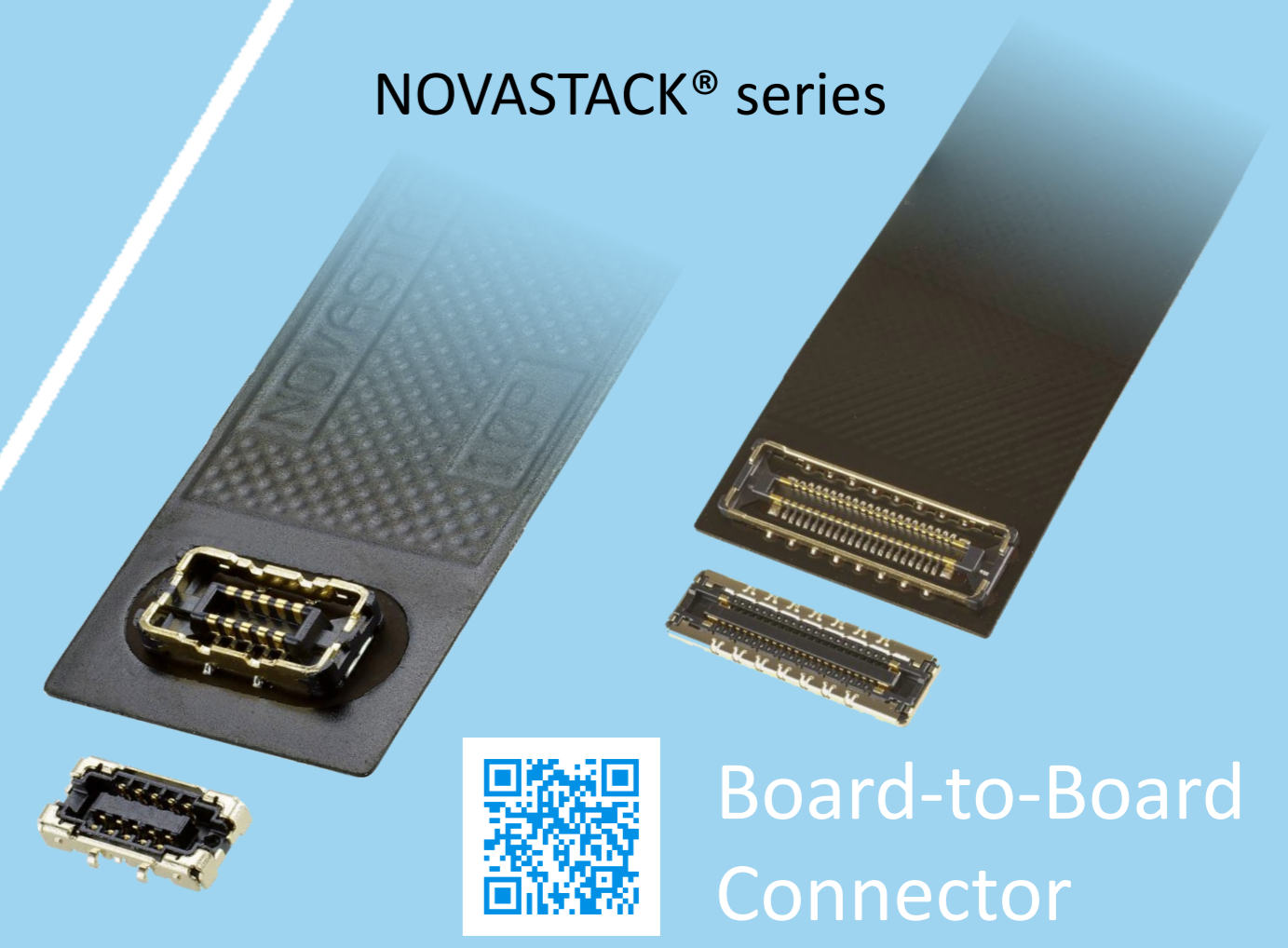
LIGHTPASS® series



NOVASTACK® series



Board-to-Board Connector



Power Connector/
Terminal

AP series

ISH® series



MINIFLEX® series

EVAFLEX® series



FPC FFC Connector



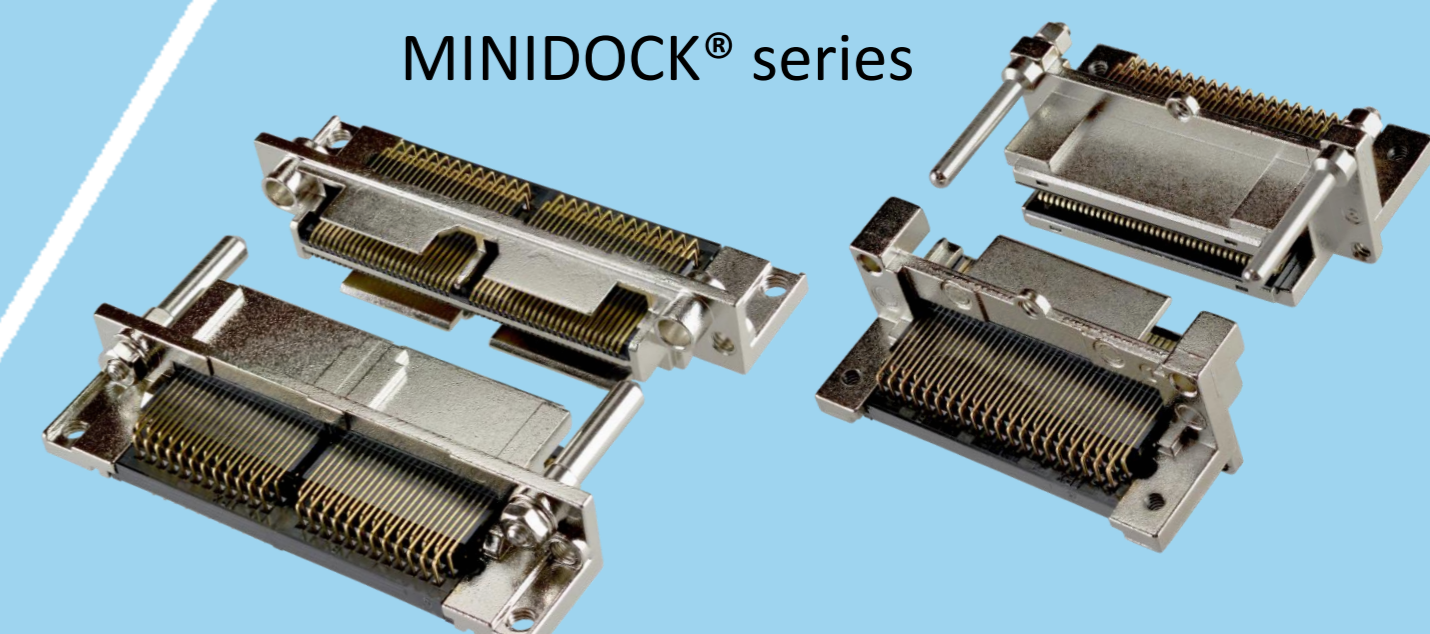
Inquiry



MINIDOCK® series



I/O Connector



I-PEX, MHF, CABLINE, LIGHTPASS, NOVASTACK, ISH, IARPB, MINIFLEX, EVAFLEX, MINIDOCKS and ZenShield are registered trademarks of I-PEX Inc. Please note that the contents in the catalog might be changed without prior notification. I-PEX Inc. assumes no responsibility for any inaccuracies or obligation to update information on these documents. Please be sure to read and understand the latest "Precautions for Use" and "Instruction Manual" before you use our products. We shall not be responsible for any defects, damages or troubles in case you use our products without following the precautions for use. Please feel free to contact our sales representatives when you use our products for any applications that require very high reliability and safety, or that relate to human life (ex. nuclear power control, aerospace, transportation, medical equipment, safety equipment etc.).

Contact your sales representative or more detailed information.

www.i-pex.com



I-PEX

© I-PEX Inc. 2024
All rights reserved