

CABLINE®-CA II PLUS

全屏蔽设计带机械锁扣，高速数据传输，0.4mm间距，水平插拔款的极细同轴连接器

*想获得更高的传输速率（64 Gbps PAM4），欢迎查看可以配合 CABLINE-CA II PLUS 母座（20790-060E-01/-02）使用的 [CABLINE-CA IIP PLUS 线束解决方案](#)。

Product Specifications:

Mating type		Horizontal
Board Pitch (mm)		0.4
Wiping Length (mm)		0.54
Mated size (mm)	Height	1.2 max. with cover
	Width	Formula: 6.95 + (0.4*?p)
	Depth	6.7
Pin Counts	Range	Up to 60
	Available	60

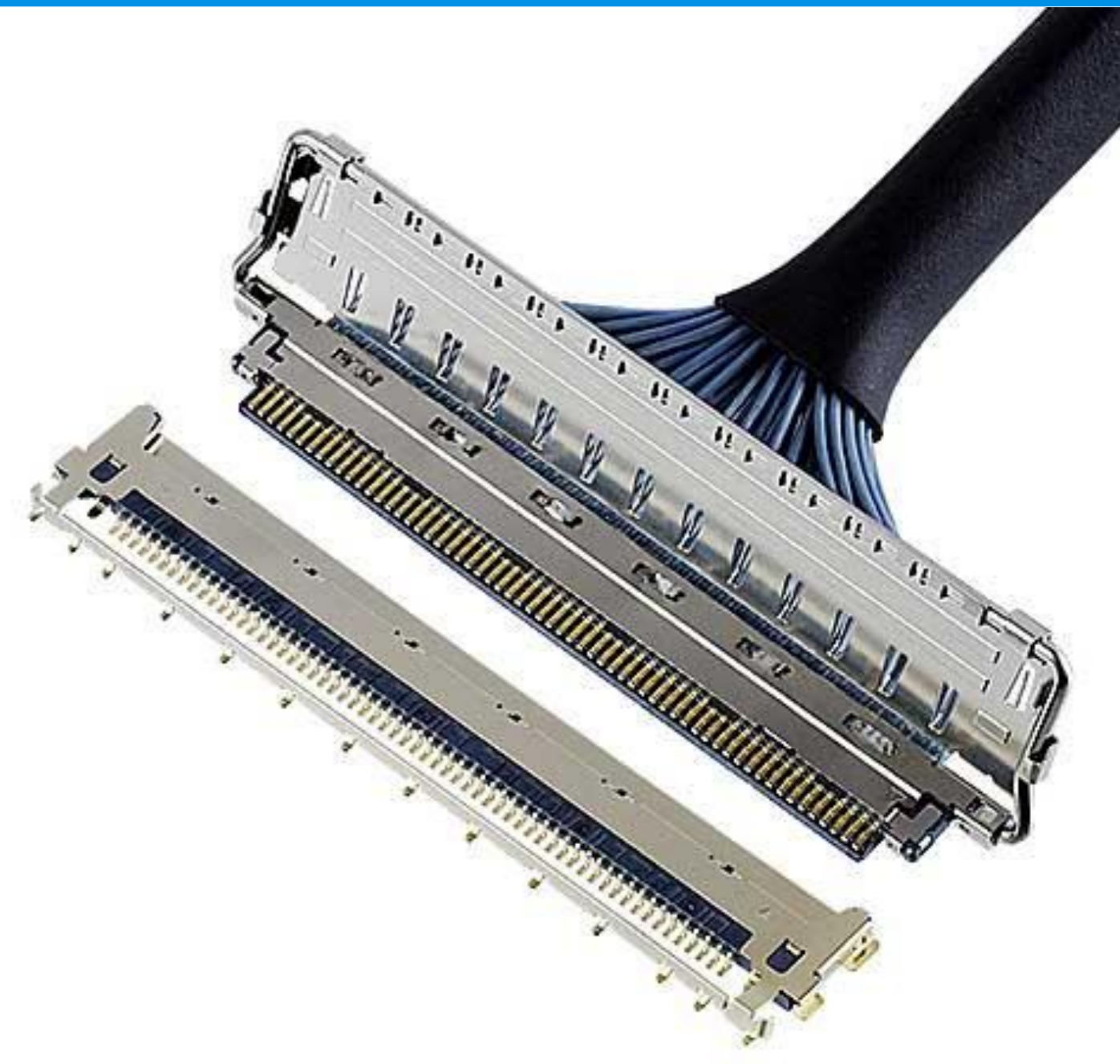
Applicable Cable Size:

Maximum O.D. (mm)	0.4
Micro-Coaxial for Signal (AWG)	45 ohm: #38 or smaller 50 ohm: #40 or smaller
Twinax (AWG)	#40, #42
Discrete (AWG)	#34 or smaller

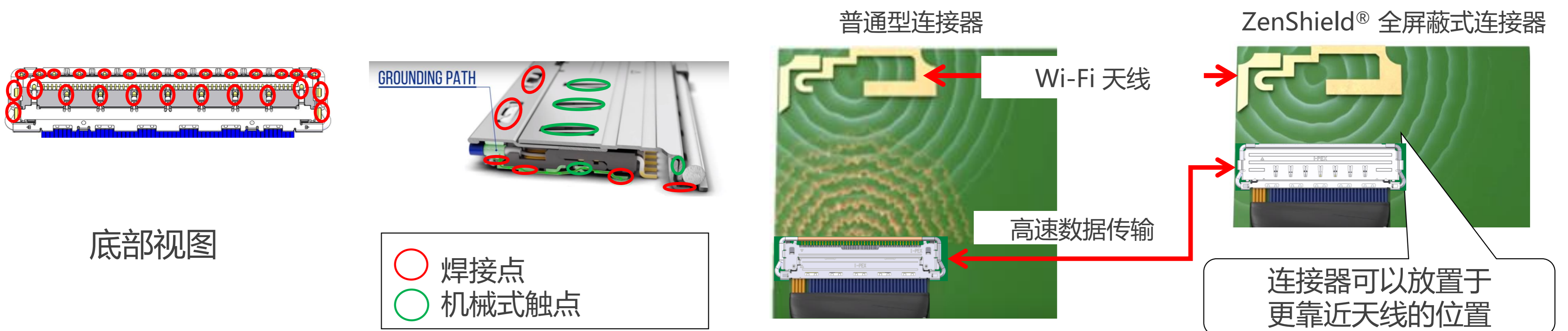
Applicable Standards (Reference Only):

USB4 Gen3/Thunderbolt 4 (20 Gbps/lane), PCIe® Gen 4 (16 GT/s), eDP HBR 3 (8.1 Gbps)

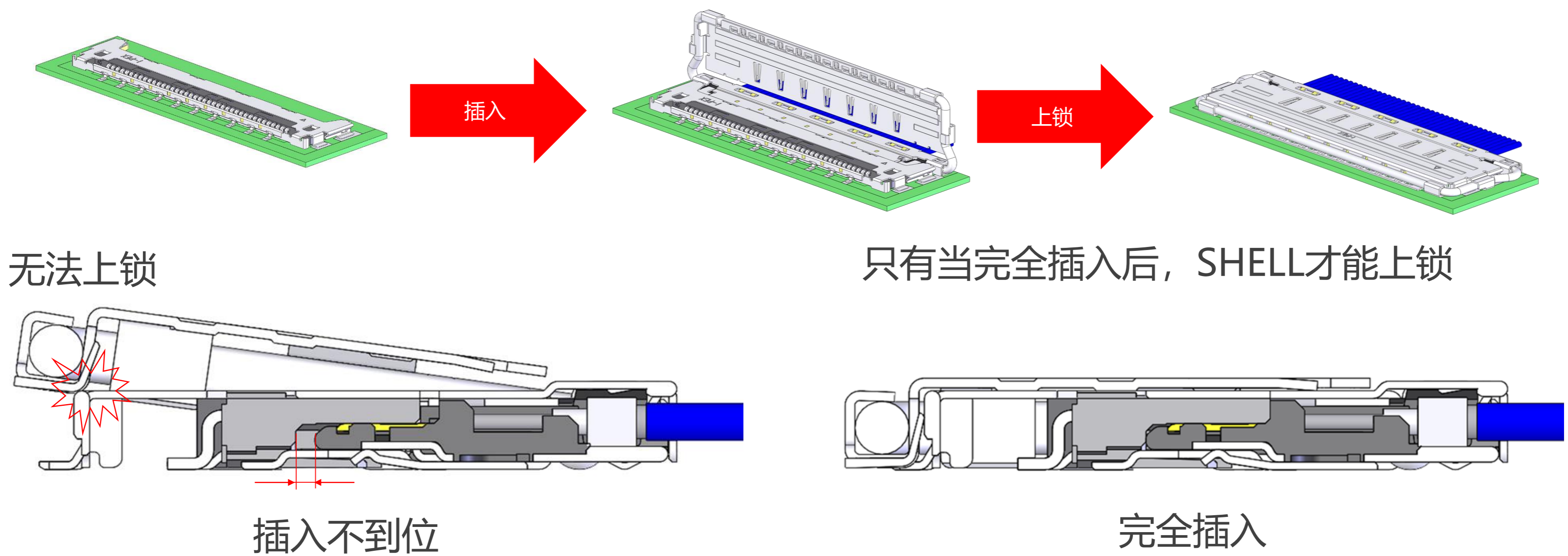
*如您需要了解未列出或不在范围内的Pin数，请咨询我们。
*我们也提供 CABLINE-CA II 20, 30, 40, 50p 产品(狭窄空间的款式)。



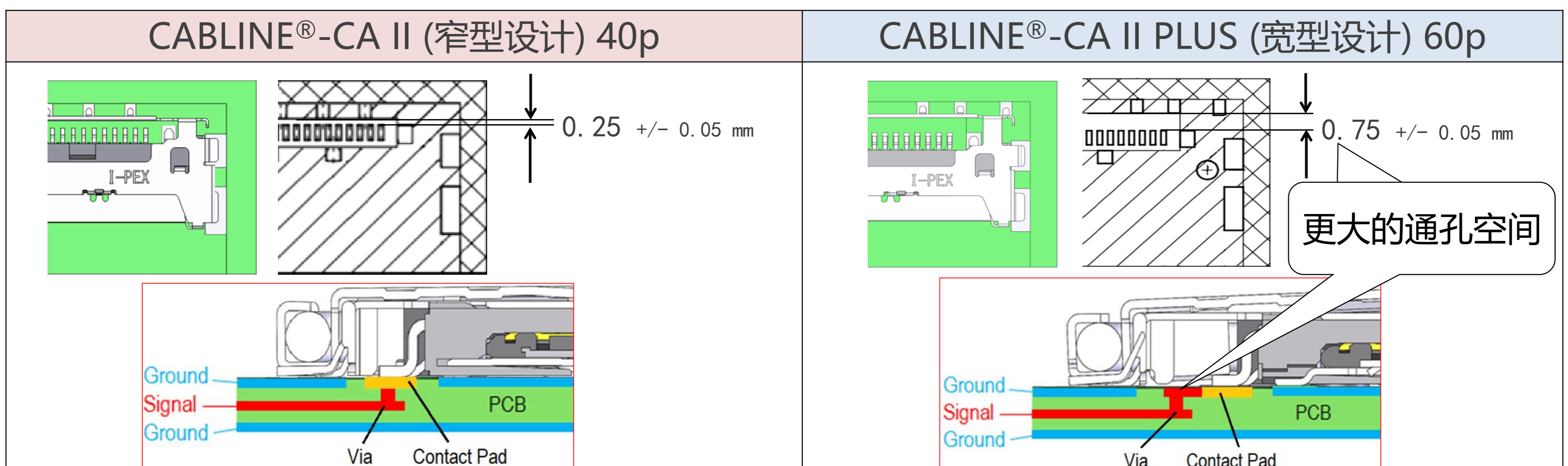
▶ ZenShield® 的全屏蔽和多点接地设计，有效防止EMI 外泄



▶ 机械式锁扣罩防止连接器不完全嵌合及脱落

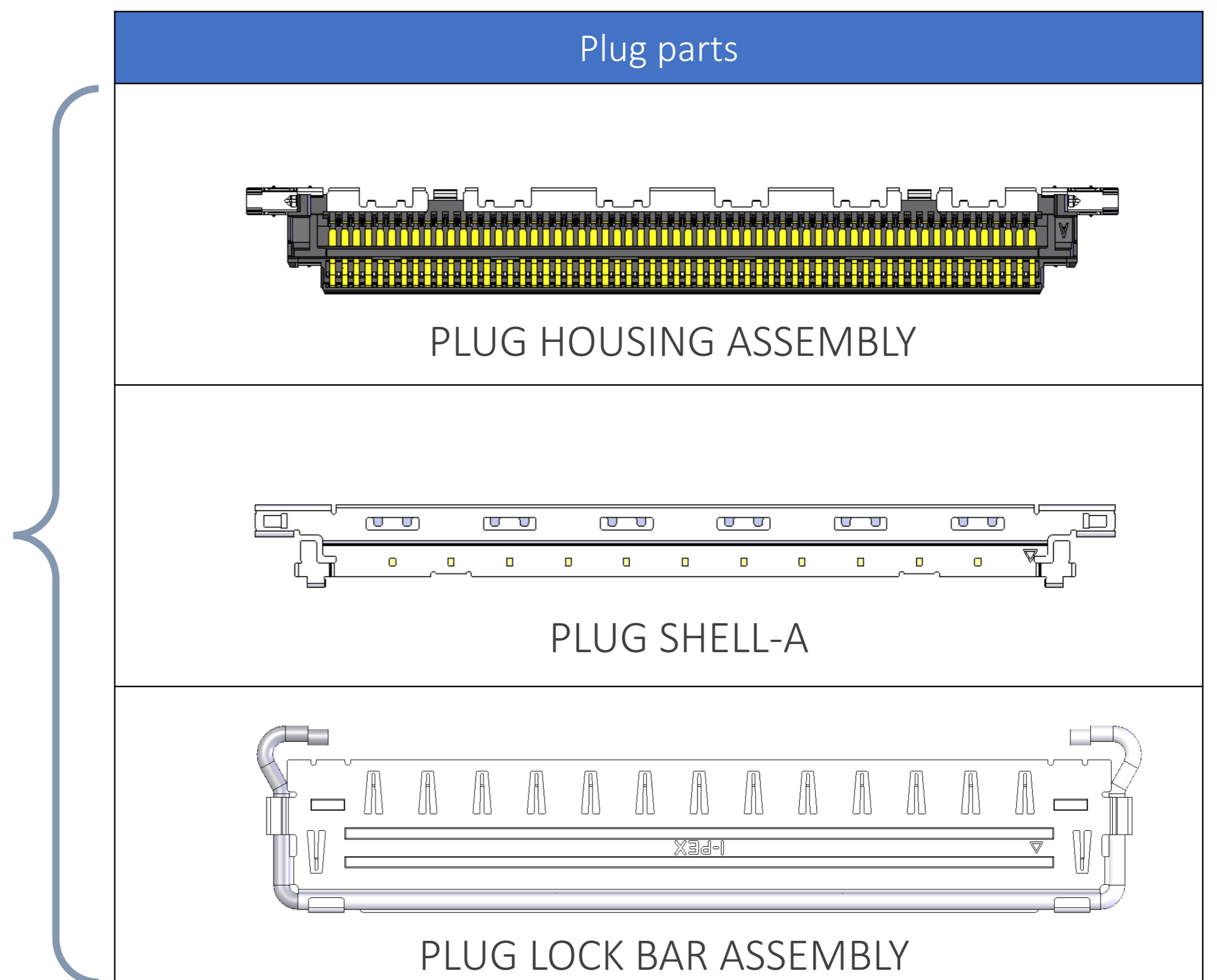
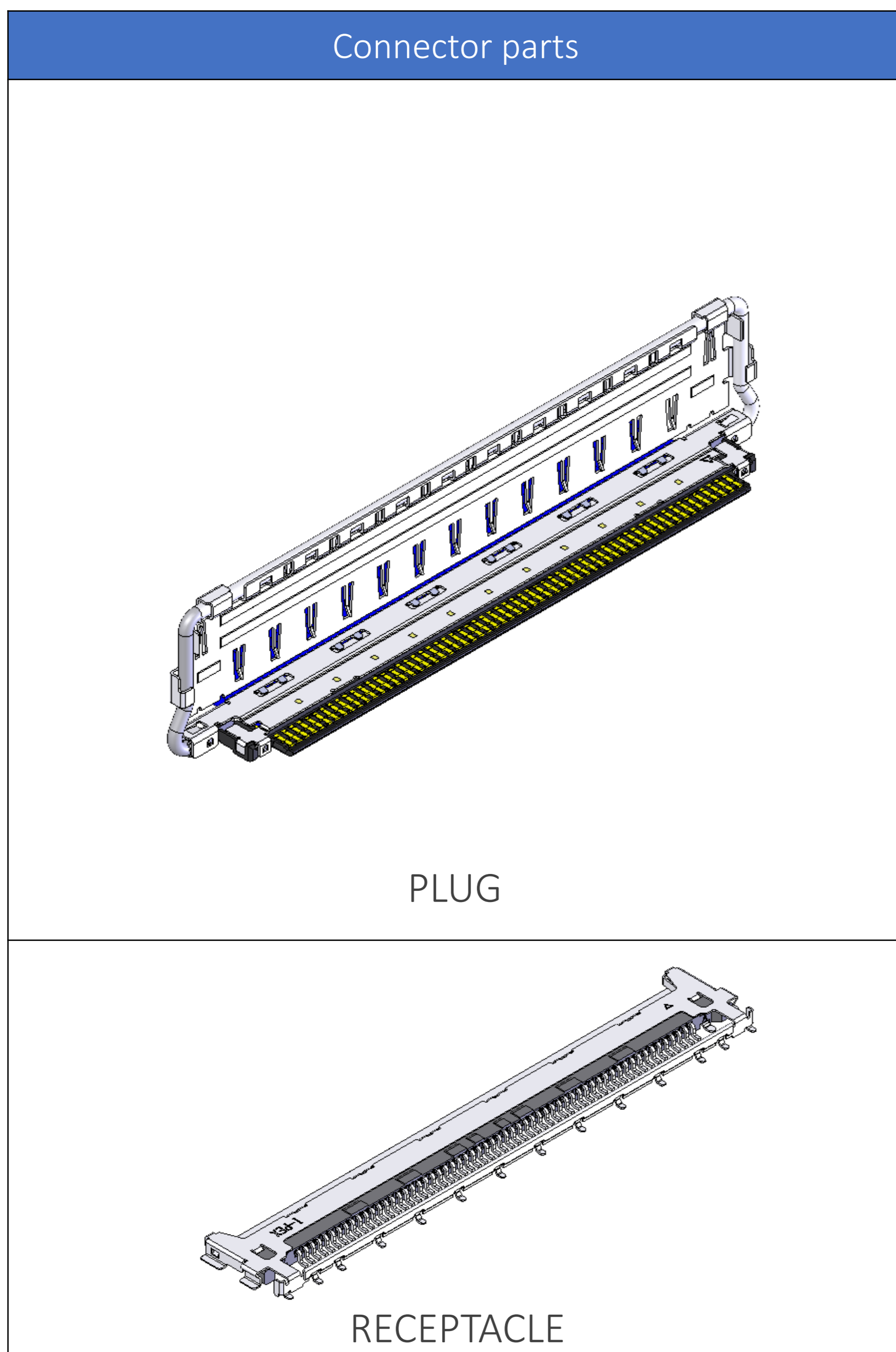


▶ 屏蔽壳内部预设VIA通孔区域



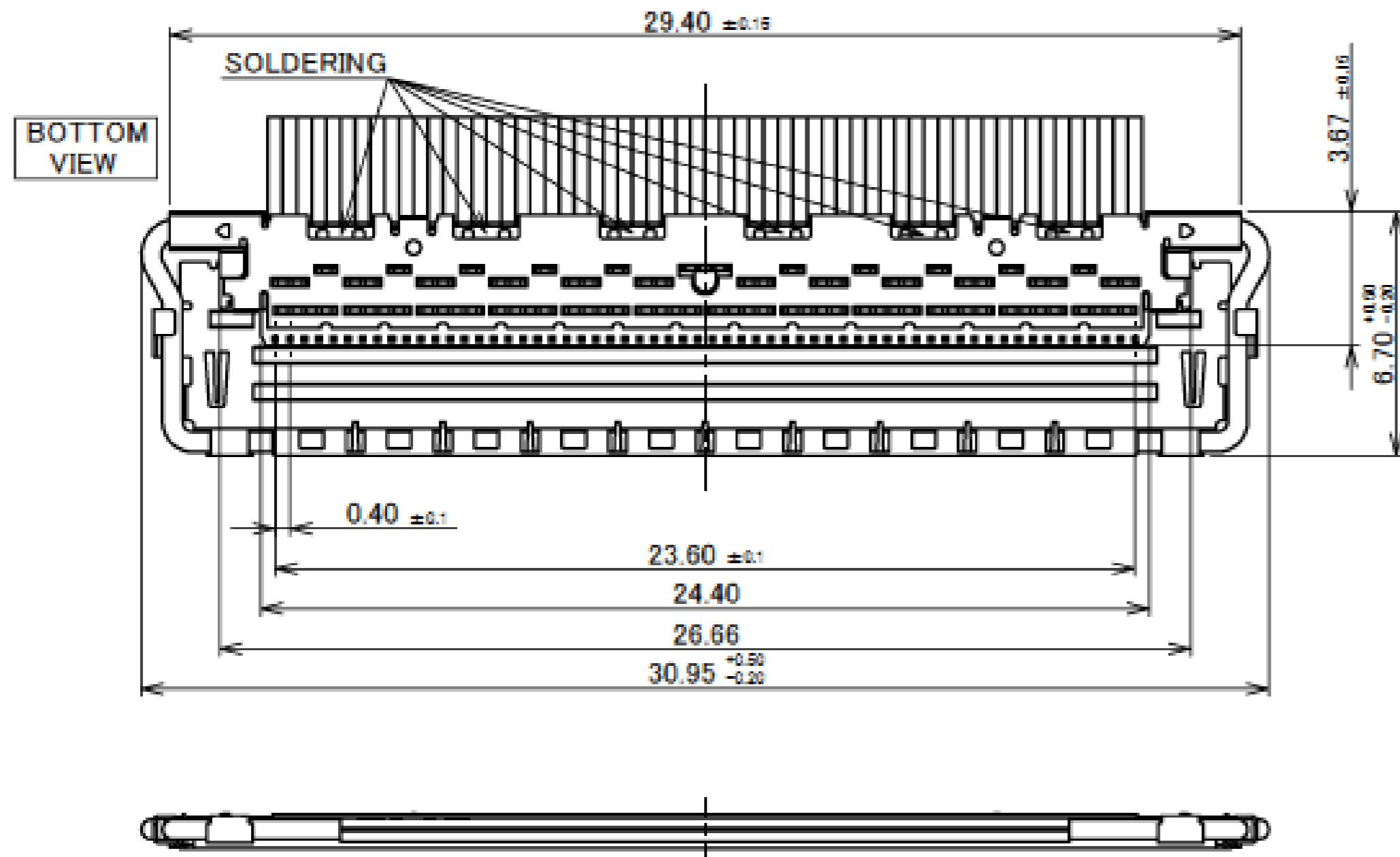
Component Parts Details

Component Parts

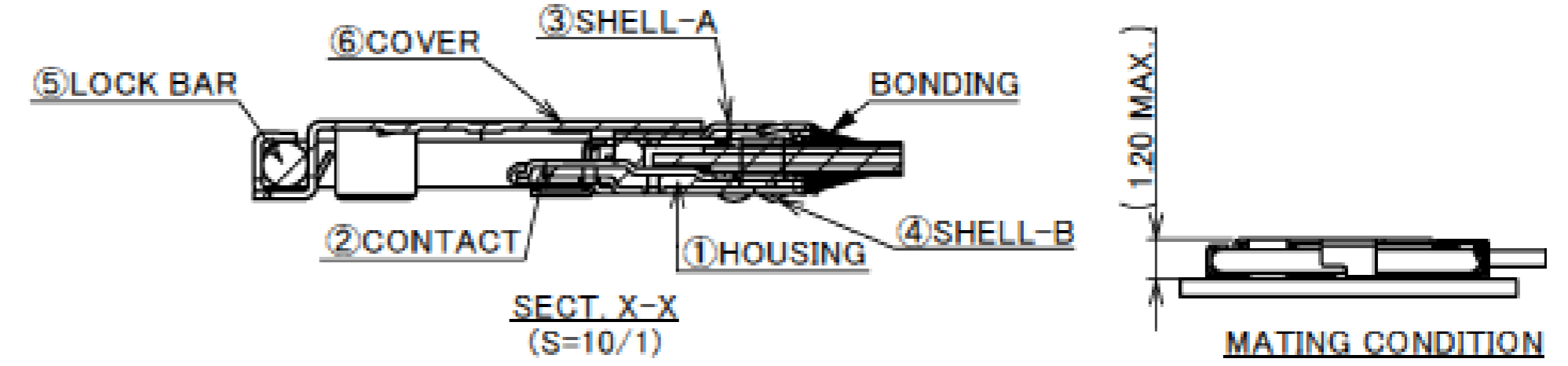
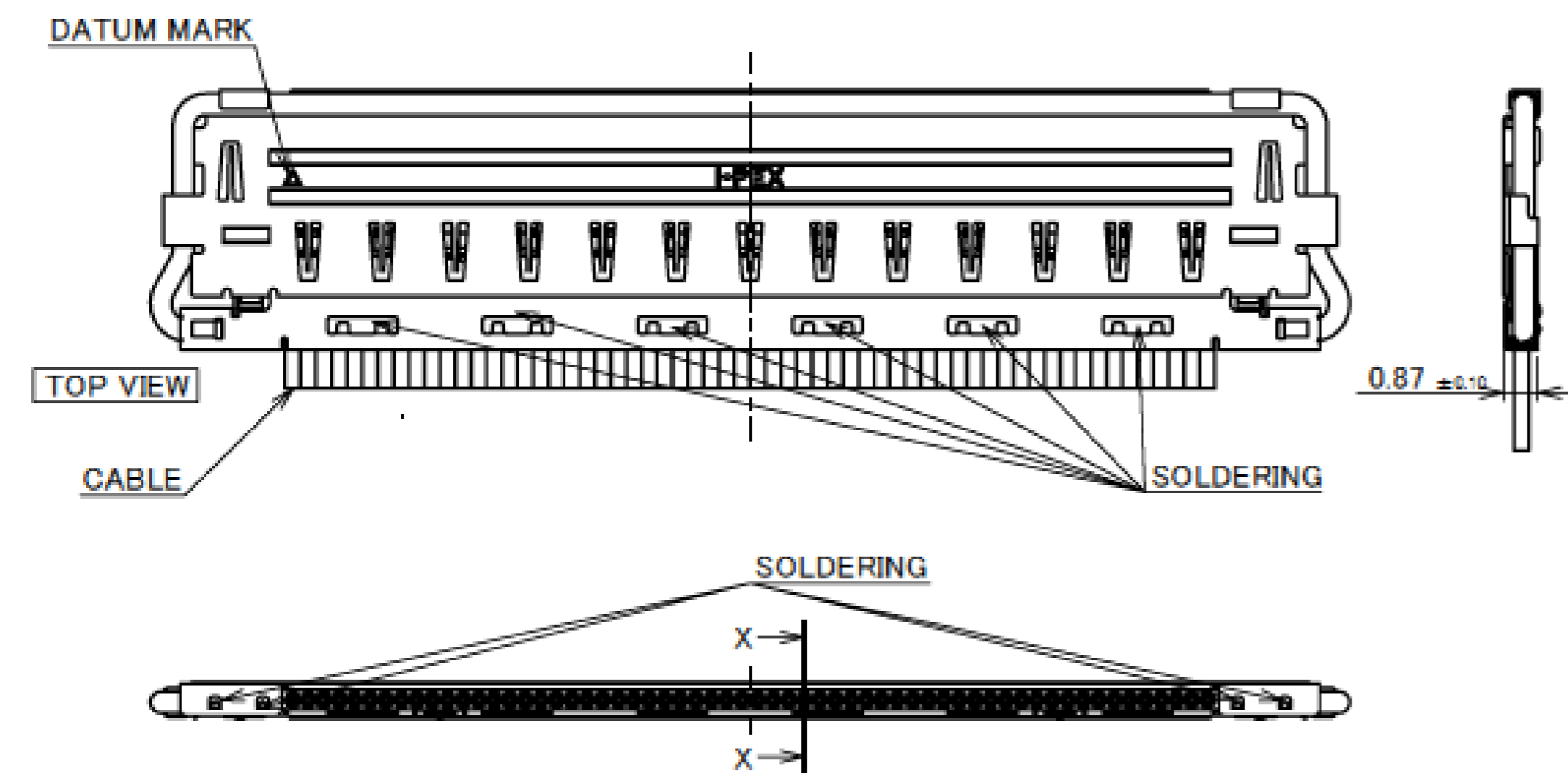
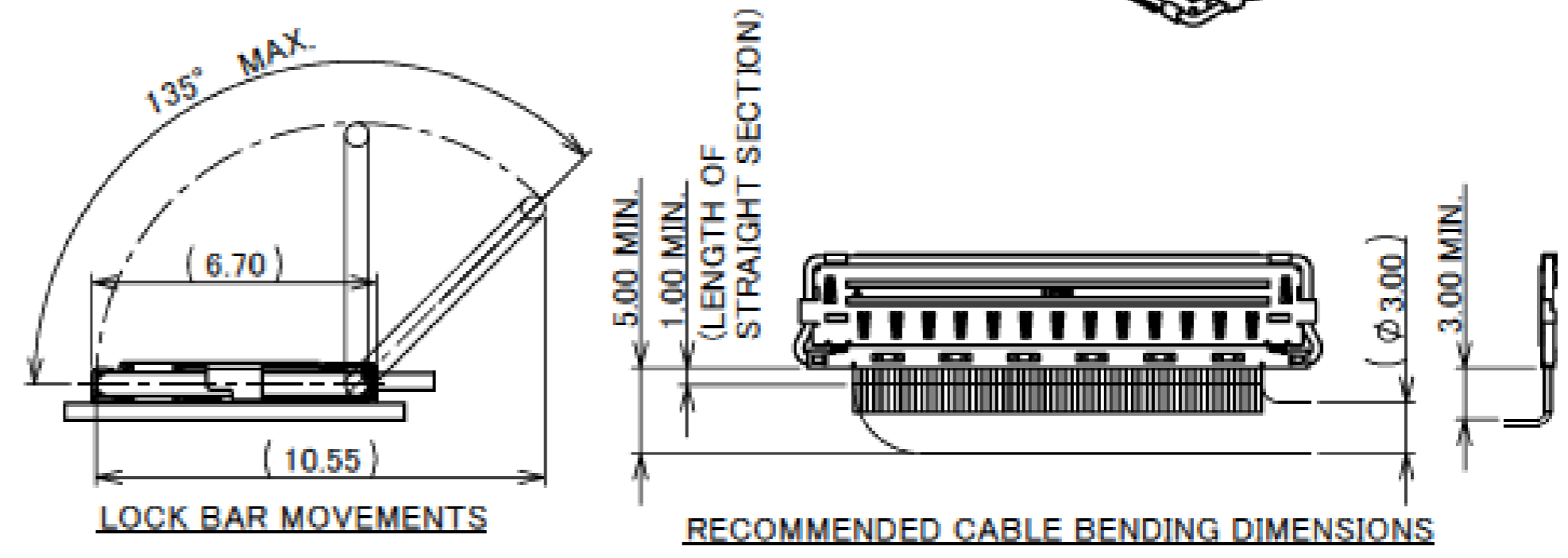


Plug for Cable Assembly

Recommended P/N	20788-0**T-01
PART NO.	Pos.
20788-060T-01	60



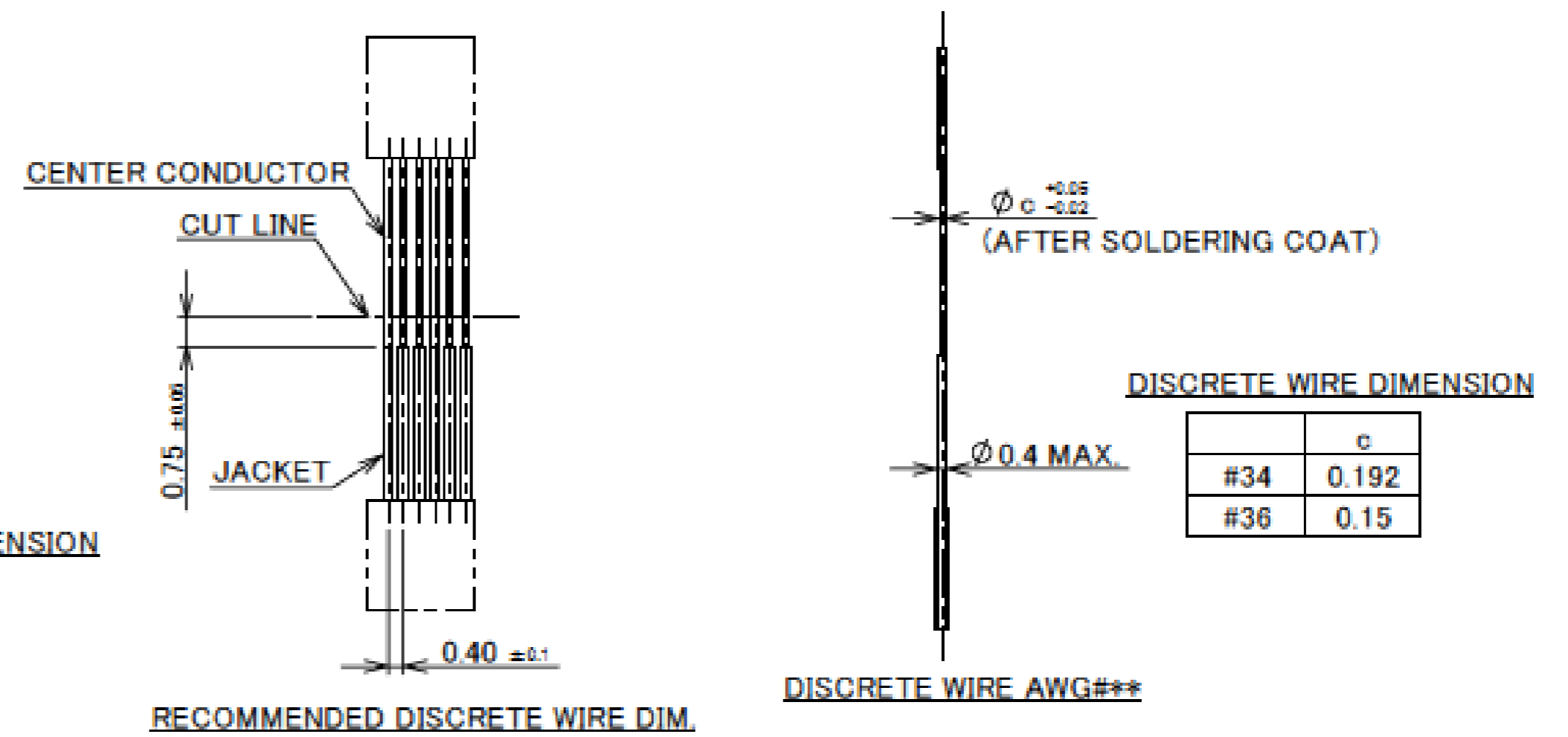
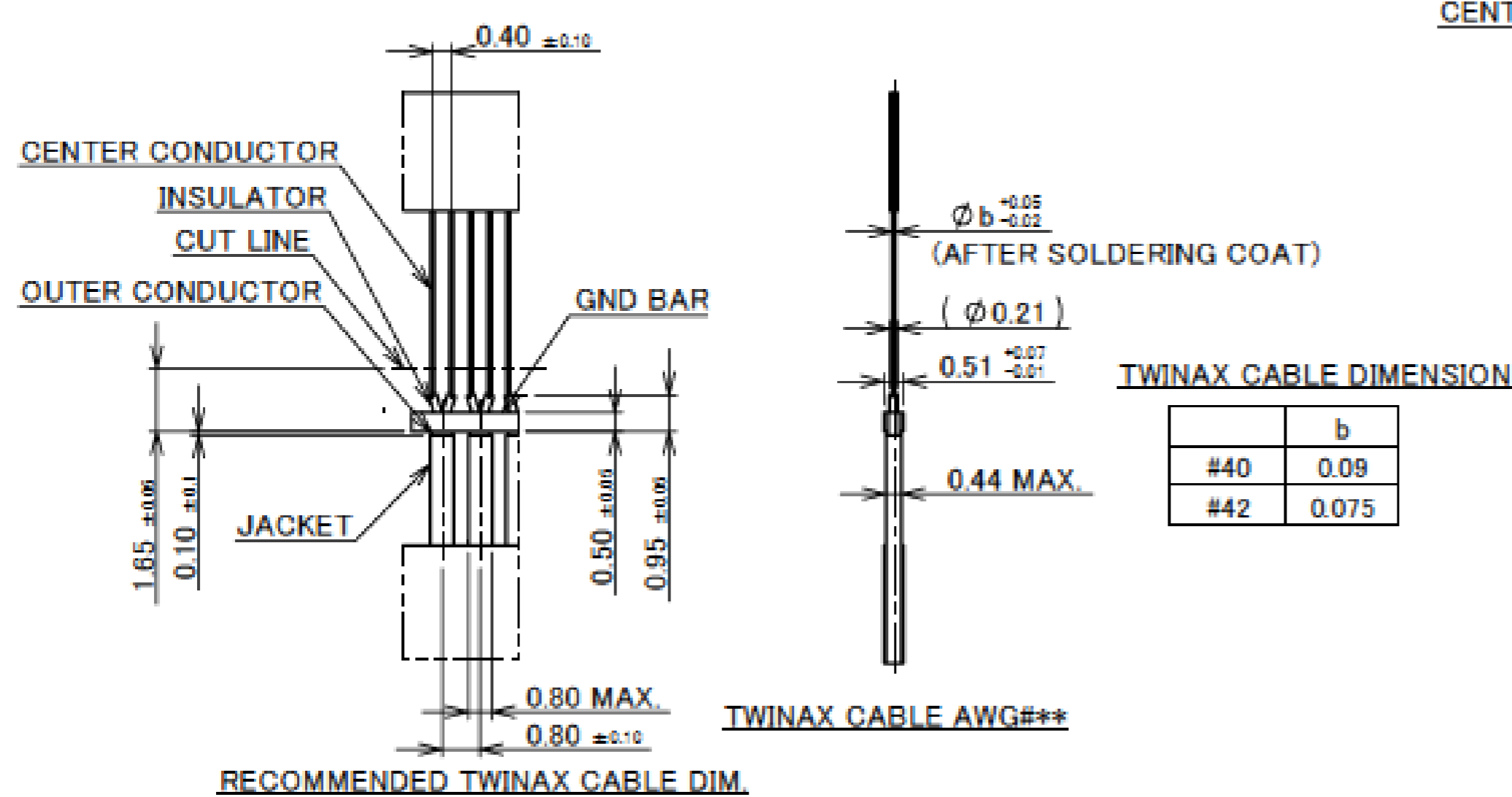
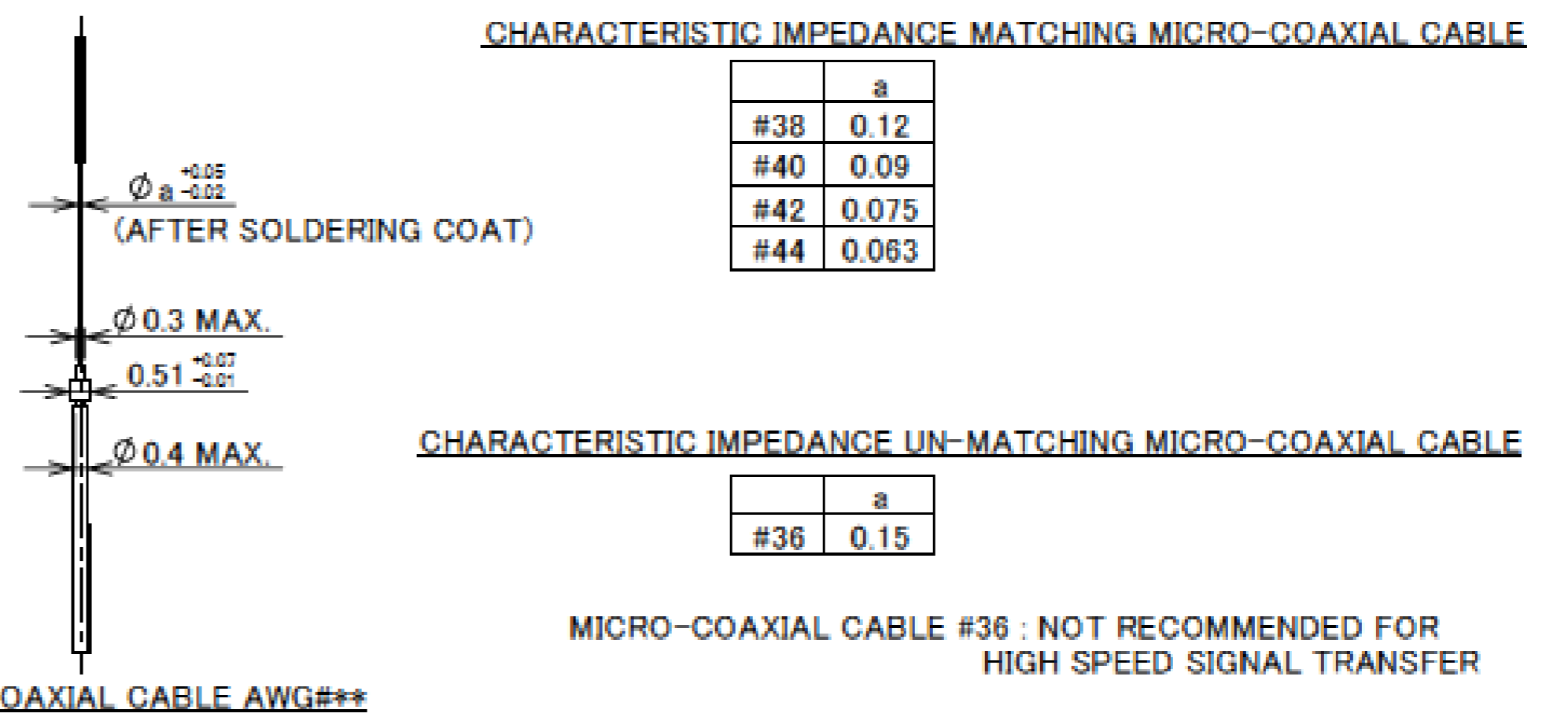
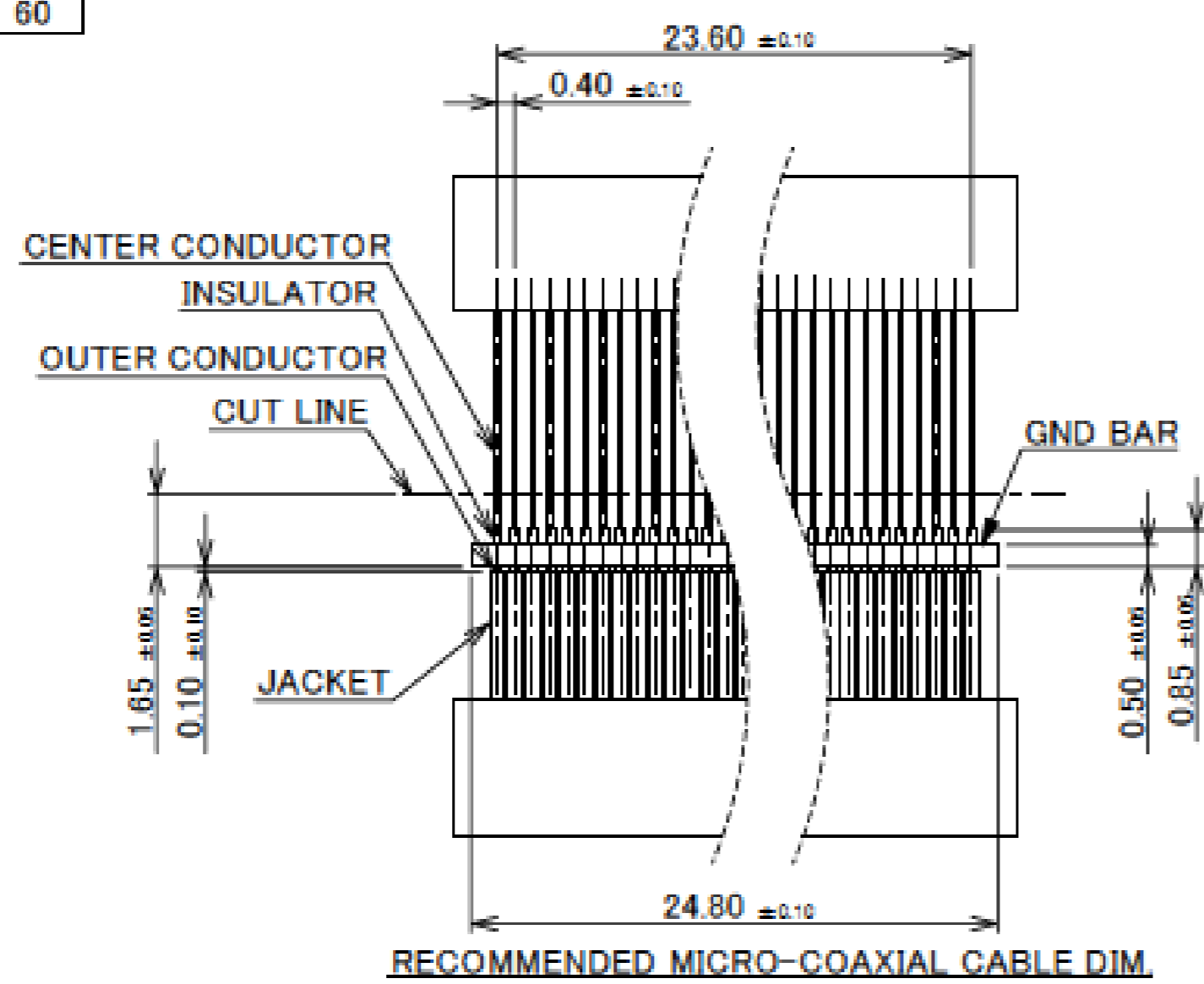
P/N : 20788-0**T-01
Pos.



NO.	DISCRIPTION	MATERIAL	FINISH , REMARKS
6	COVER	PHOSPHOR BRONZE	ALL OVER Ni 1.00 μm MIN.
5	LOCK BAR	SUS φ 0.55	-
4	SHELL-B	PHOSPHOR BRONZE	PARTIAL Au 0.003 μm MIN. OVER Ni 1.00 μm MIN.
3	SHELL-A	PHOSPHOR BRONZE	PARTIAL Au 0.003 μm MIN. OVER Ni 1.00 μm MIN.
2	CONTACT	PHOSPHOR BRONZE	ALL OVER Ni 1.00 μm MIN. CONTACT & SOLDERING AREA : Au 0.03 μm MIN.
1	HOUSING	LCP	UL94V-0 ,BLACK

Rev.11

PART NO.	Pos.
20788-060T-01	60

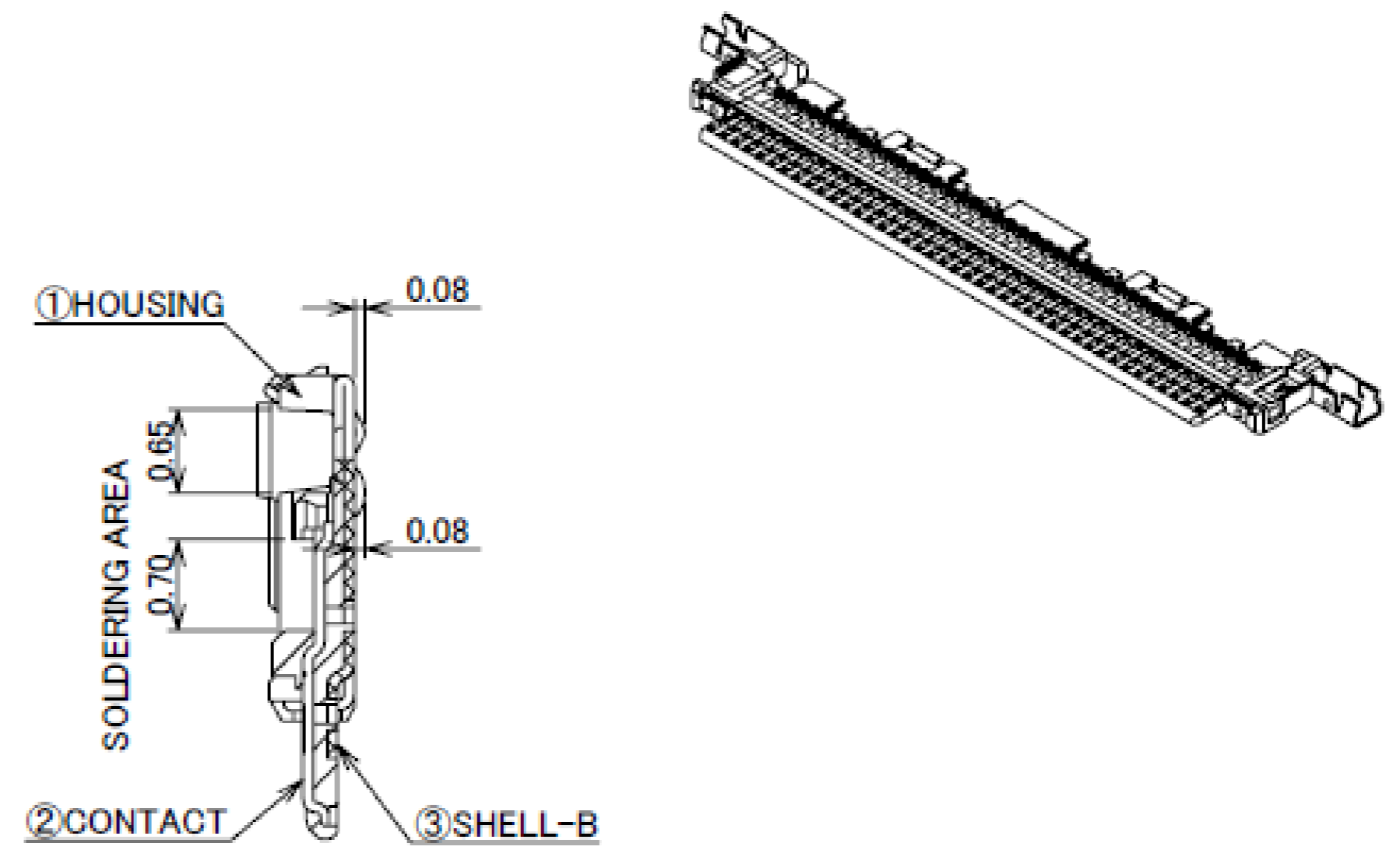
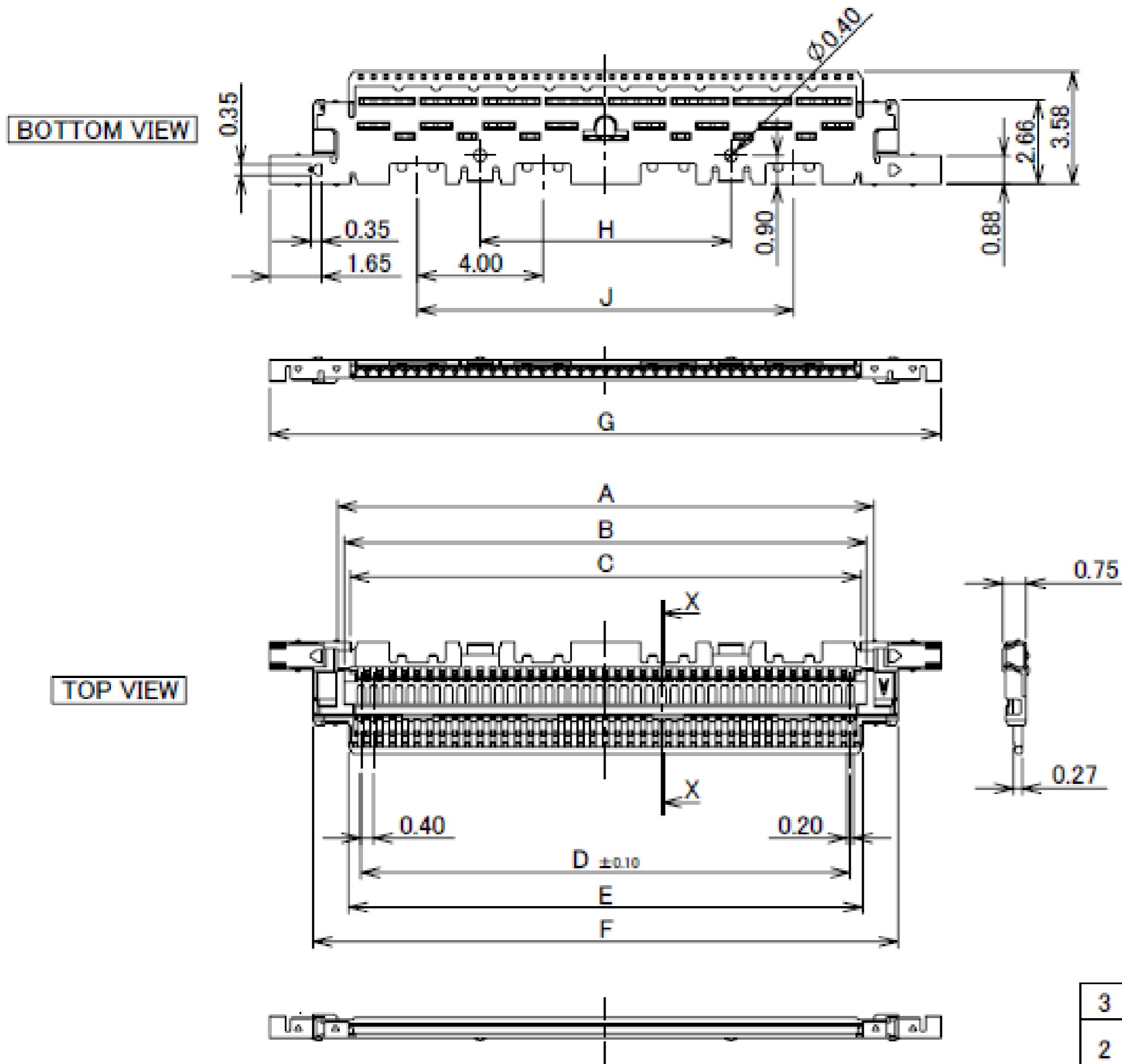
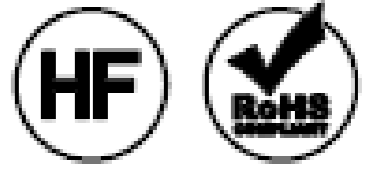


Rev.11

Plug Housing Assembly

Recommended P/N 20680-0**T-01

PART NO.	Pos.	A	B	C	D	E	F	G	H	J
20680-020T-01	20	9.10	8.65	8.30	7.60	8.40	10.66	13.40	-	5.00
20680-030T-01	30	13.10	12.65	12.30	11.60	12.40	14.66	17.40	4.00	8.00
20680-040T-01	40	17.10	16.65	16.30	15.60	16.40	18.66	21.40	8.00	12.00
20680-050T-01	50	21.10	20.65	20.30	19.60	20.40	22.66	25.40	12.00	16.00
20680-060T-01	60	25.10	24.65	24.30	23.60	24.40	26.66	29.40	16.00	20.00



SECT. X-X
(S=15/1)

NOTES.

- THIS PART IS ASSEMBLED WITH SHELL A(P/N 3204-0**1) AND LOCK BAR ASSY(P/N 20681-0**T-01) AFTER SOLDERED THE CABLE, AND IT BECOMES P/N 20679-0**T-01
- THIS PART IS ASSEMBLED WITH SHELL A(P/N 3204-0**1) AND LOCK BAR ASSY(P/N 20789-0**T-01) AFTER SOLDERED THE CABLE, AND IT BECOMES P/N 20788-0**T-01

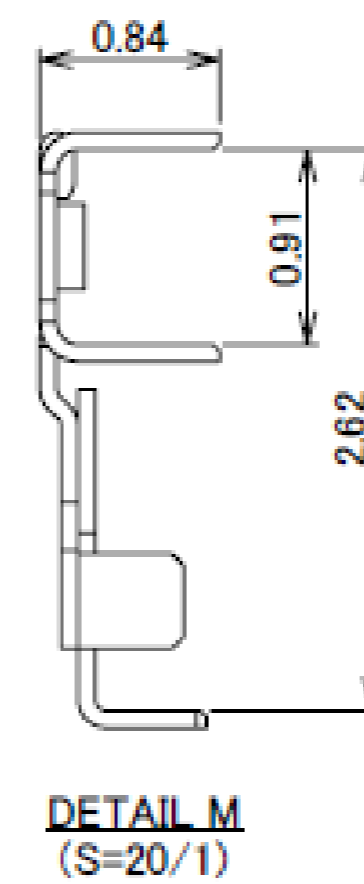
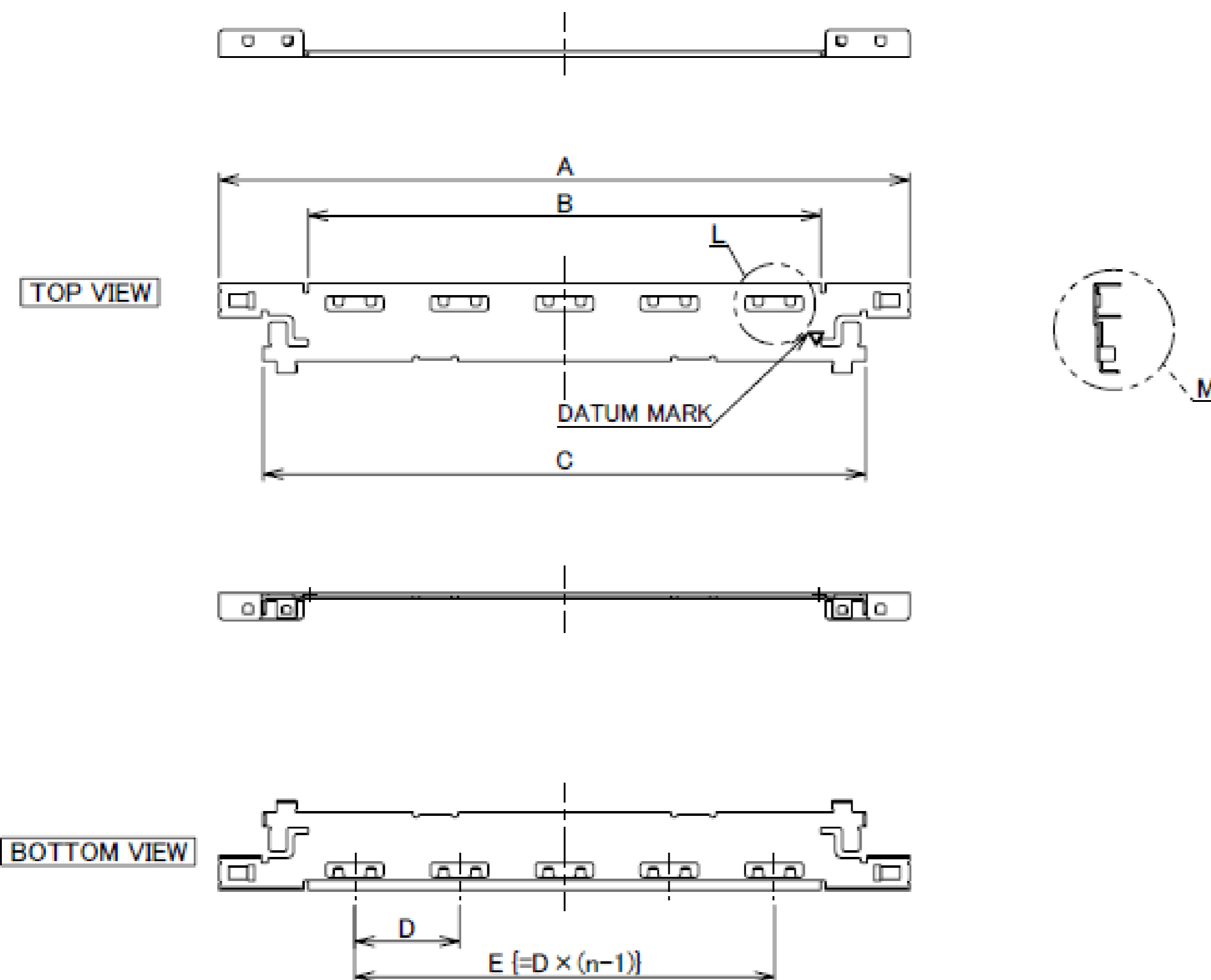
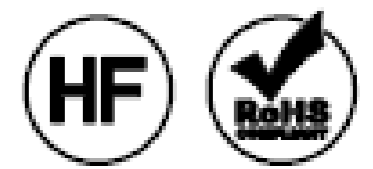
NO.	DISCRIPTION	MATERIAL	FINISH , REMARKS
3	SHELL-B	PHOSPHOR BRONZE	PARTIAL Au 0.003 μ m MIN. OVER Ni 1.00 μ m MIN.
2	CONTACT	PHOSPHOR BRONZE	ALL OVER Ni 1.00 μ m MIN. CONTACT & SOLDERING AREA : Au 0.03 μ m MIN.
1	HOUSING	LCP	UL94V-0 ,BLACK

Rev.7

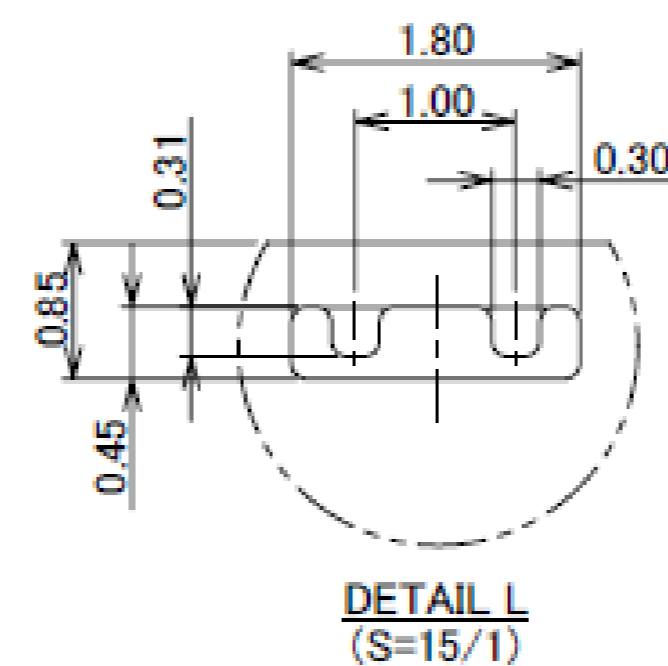
Plug Shell-A

Recommended P/N 3204-0**1

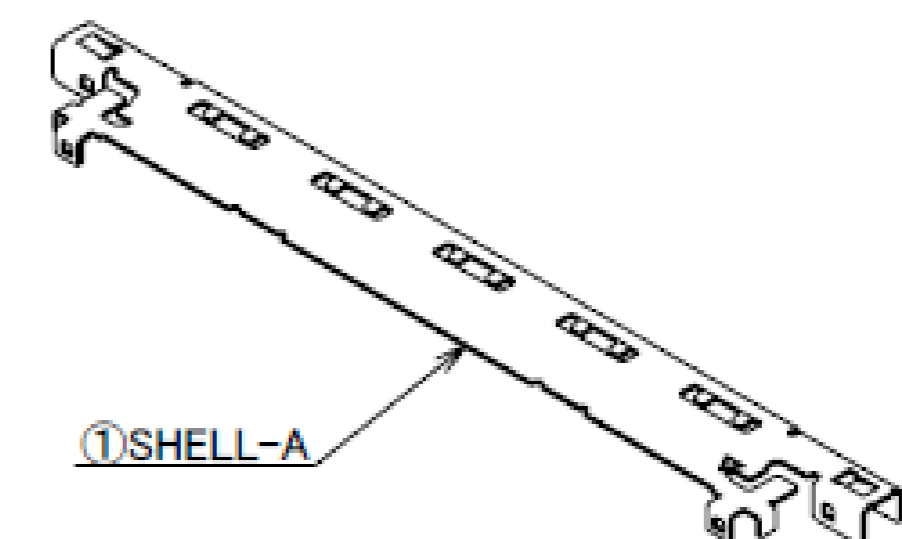
PART NO.	Pos.	A	B	C	D	E
3204-0201	20	13.40	7.88	10.66	2.50	5.00
3204-0301	30	17.40	11.88	14.66	3.00	9.00
3204-0401	40	21.40	15.88	18.66	3.25	13.00
3204-0501	50	25.40	19.88	22.66	3.40	17.00
3204-0601	60	29.40	23.88	26.66	4.00	20.00



DETAIL M
(S=20/1)



DETAIL L
(S=15/1)

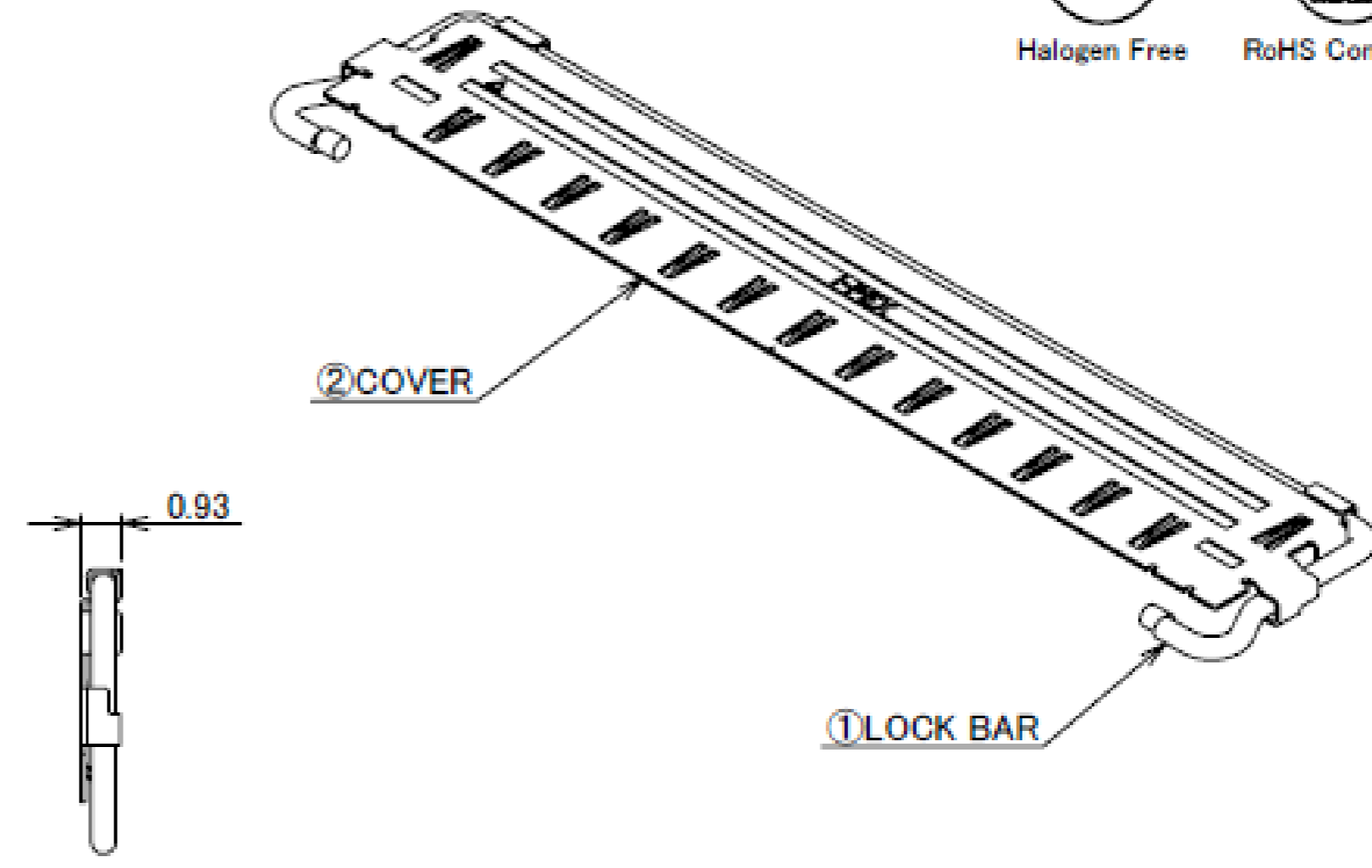
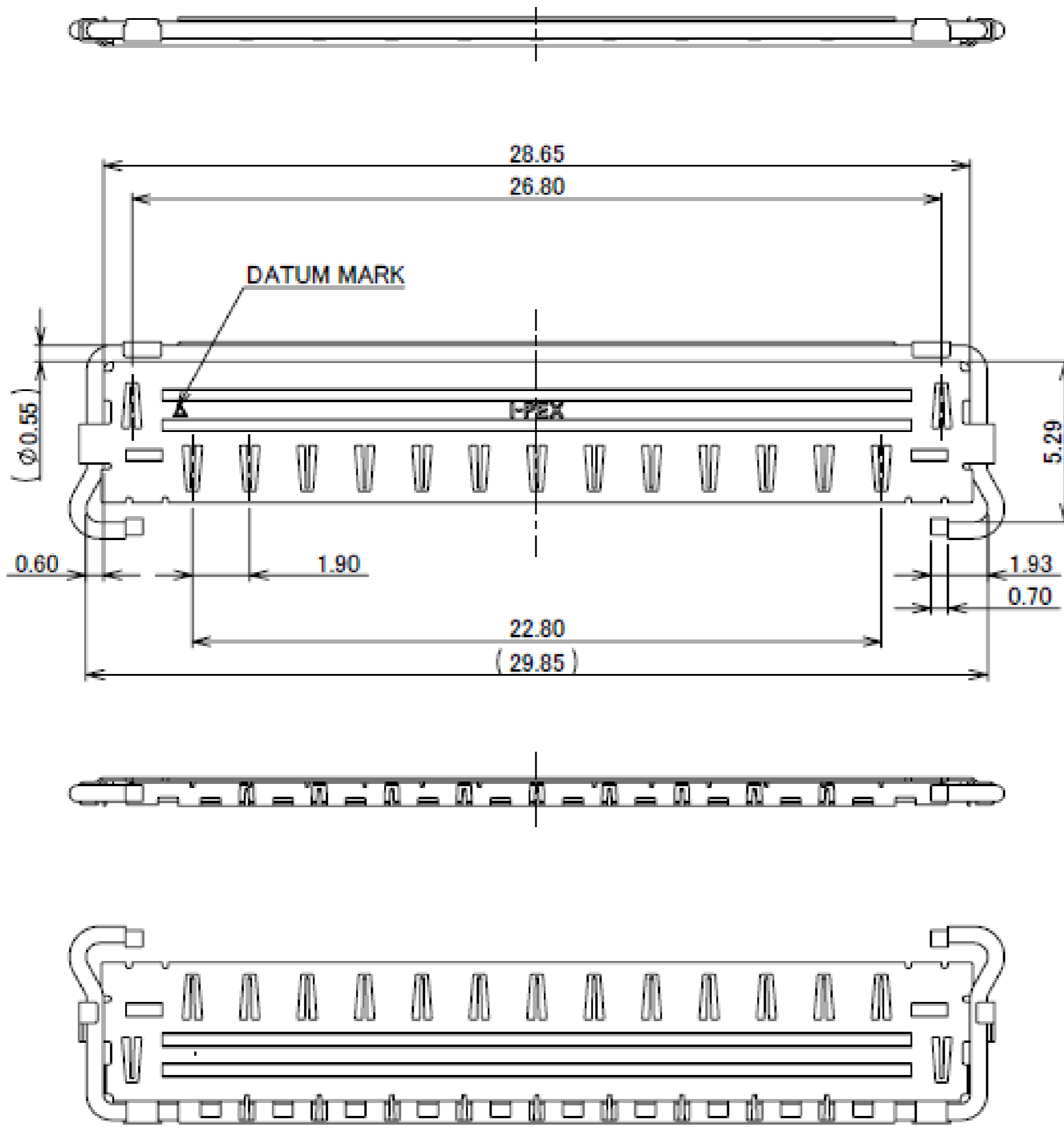
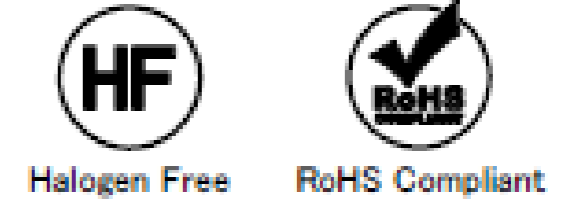


NO.	DISCRIPTION	MATERIAL	FINISH , REMARKS
1	SHELL-A	PHOSPHOR BRONZE	PARTIAL Au 0.003 μ m MIN. OVER Ni 1.00 μ m MIN.

Rev.7

Lock Bar Assembly

Recommended P/N	20789-0**T-01
PART NO.	Pos.
20789-060T-01	60

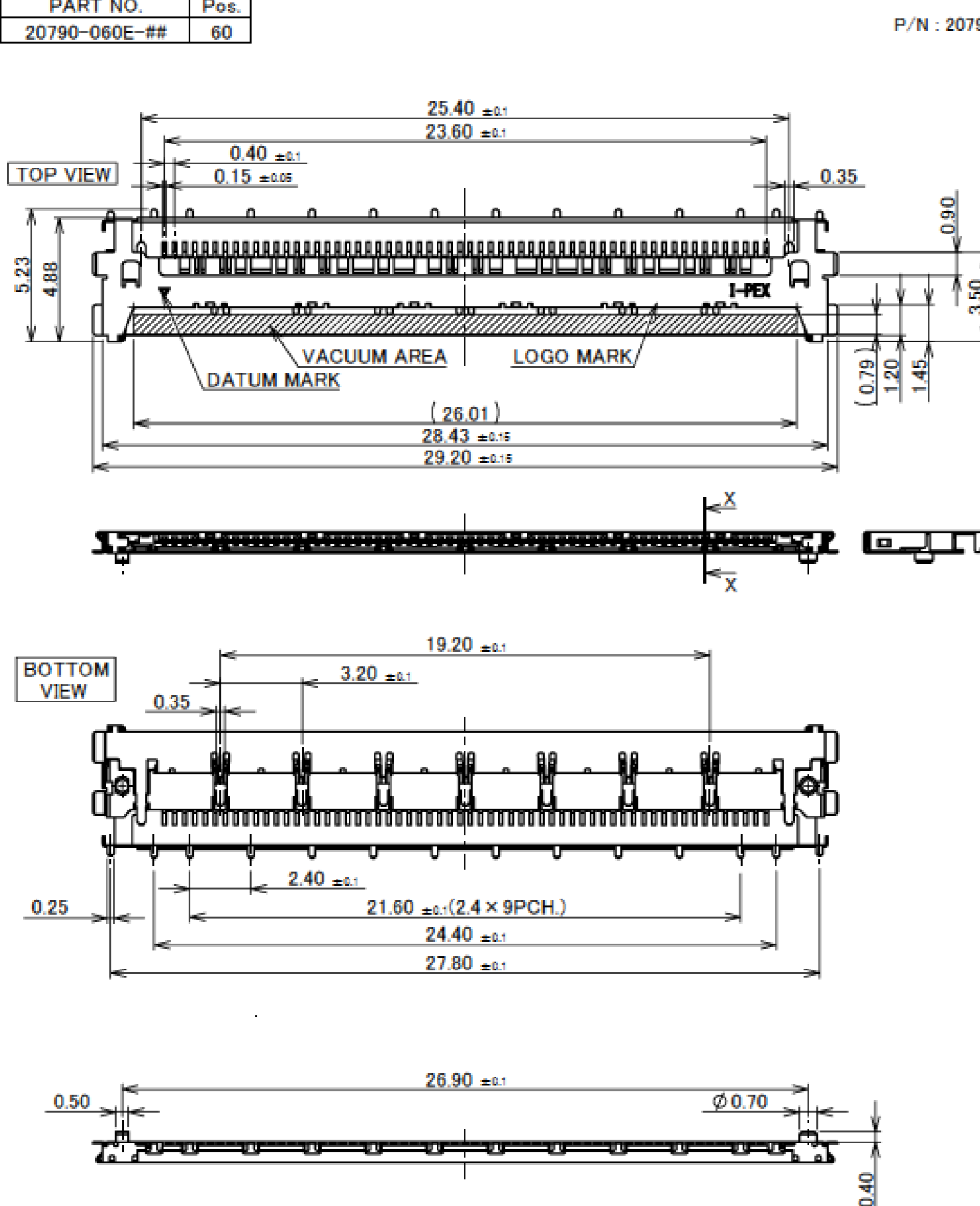
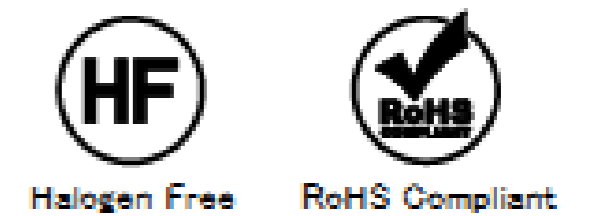


2	COVER	PHOSPHOR BRONZE	ALL OVER Ni 1.00 μ m MIN.
1	LOCK BAR	SUS $\phi 0.55$	-
NO.	DISCRIPTION	MATERIAL	FINISH , REMARKS

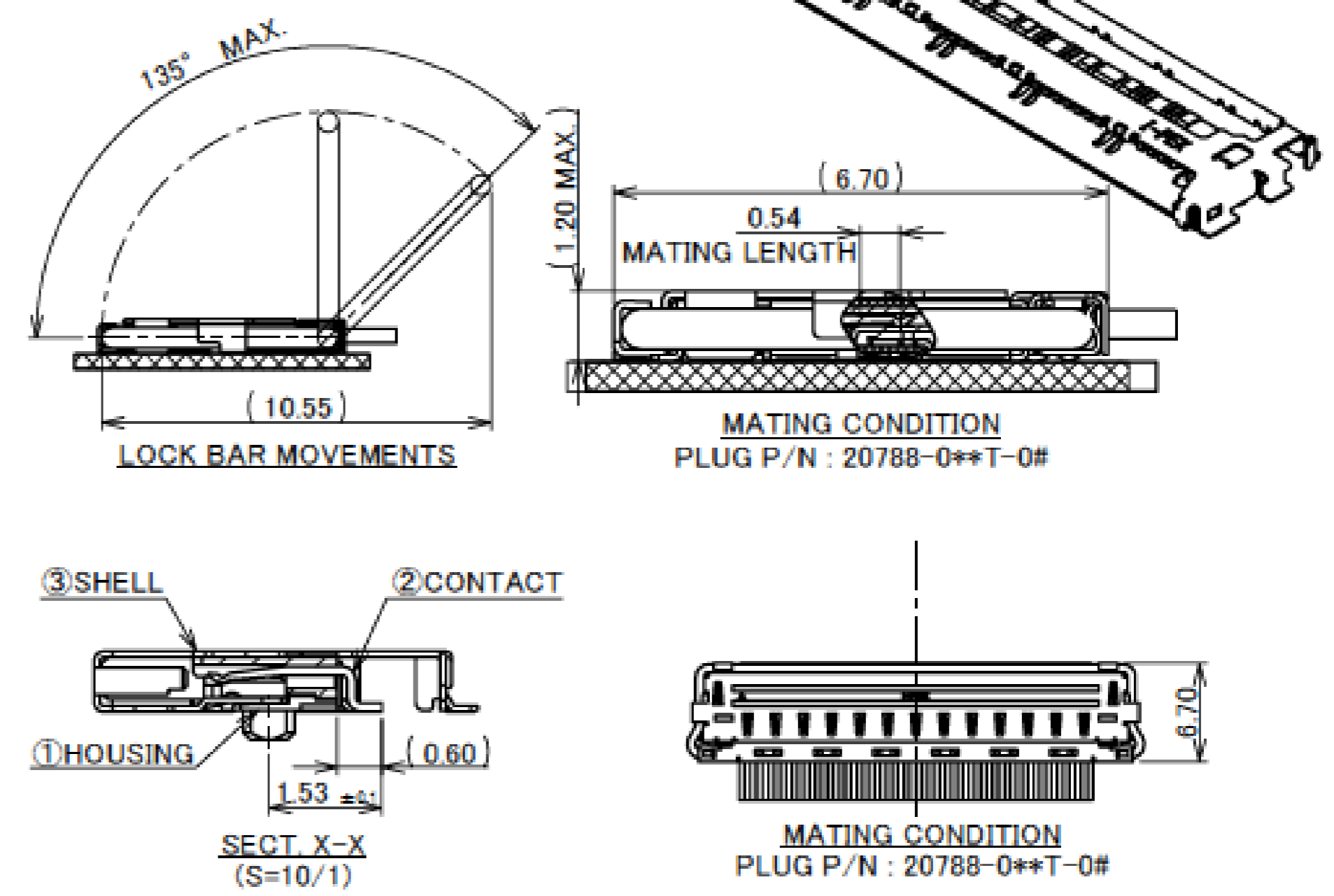
Rev.9

Receptacle Assembly

Recommended P/N	20790-0**E-02
PART NO.	Pos.
20790-060E-##	60



P/N : 20790-0**E-##
 1 : WITH BOSS
 2 : WITHOUT BOSS
 SEE TABLE 1
 Pos.

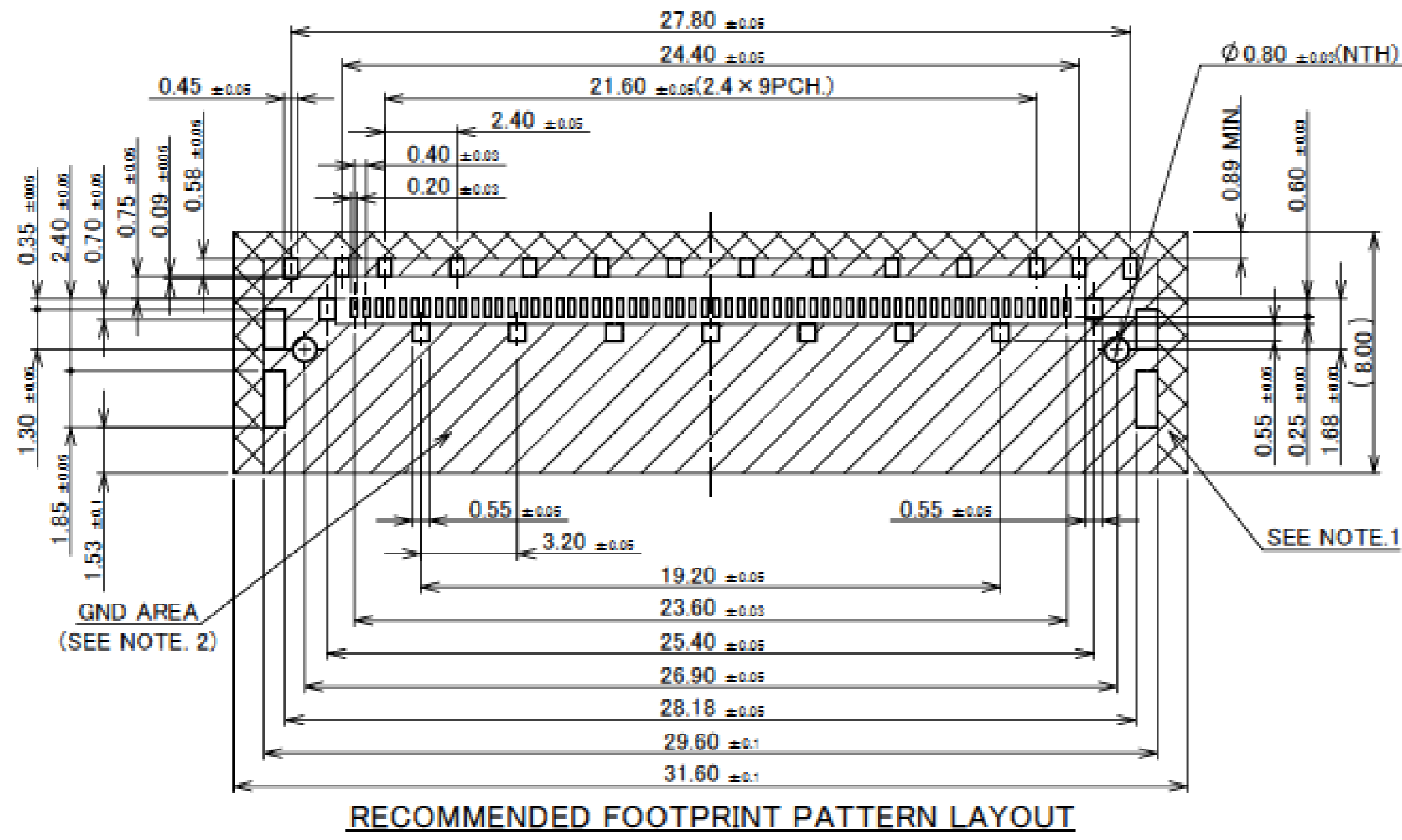


PART NO.	CONTACT FINISH
20790-0**E-0#	CONTACT & SOLDERING AREA : Au 0.03 μ m MIN. OVER Ni 1.00 μ m MIN.
20790-0**E-1#	CONTACT AREA : Au 0.38 μ m MIN. OVER Ni 1.00 μ m MIN. SOLDERING AREA : Au 0.03 μ m MIN. OVER Ni 1.00 μ m MIN.

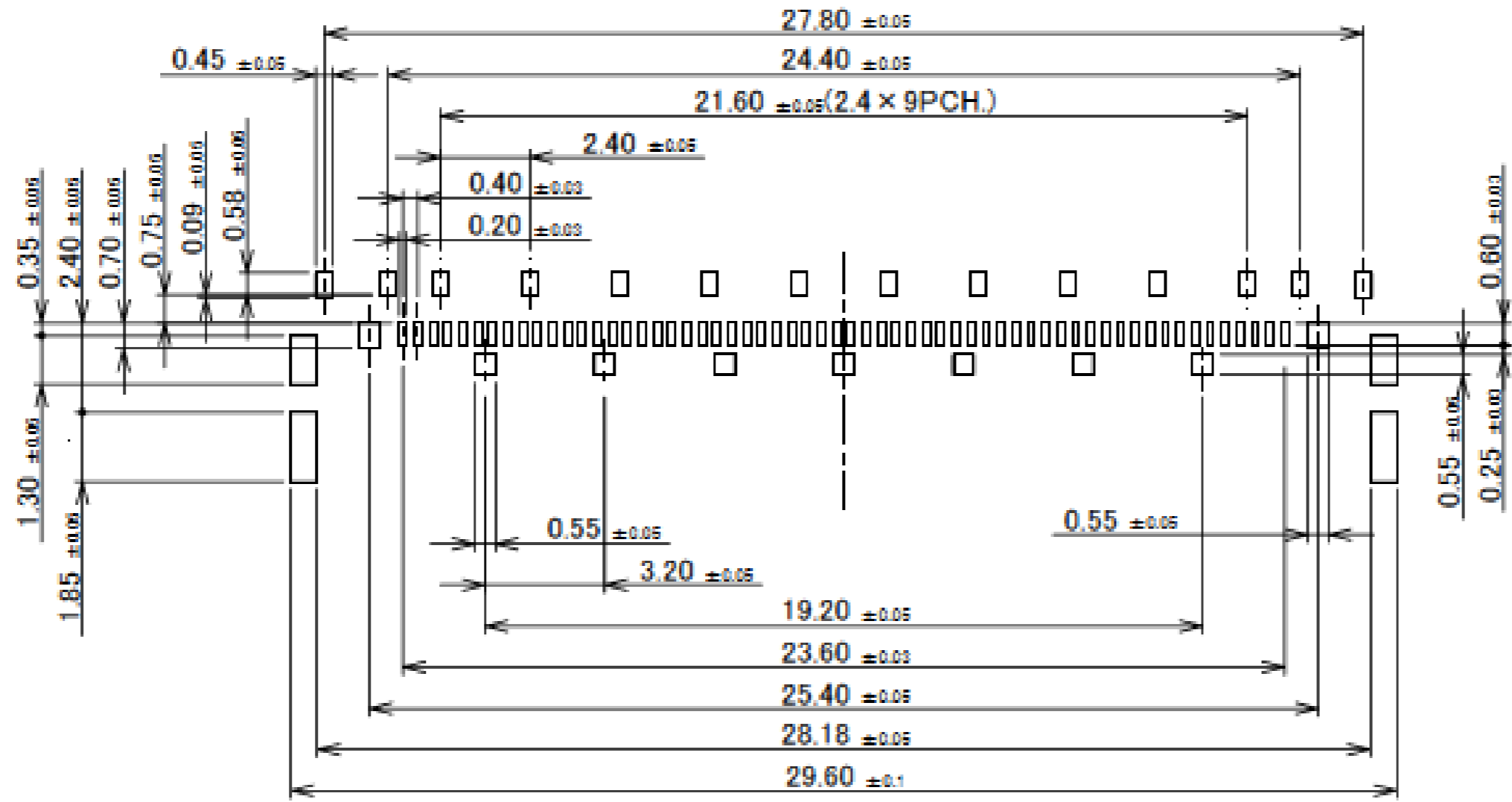
3	SHELL	PHOSPHOR BRONZE	ALL OVER Ni 1.00 μ m MIN. SOLDERING AREA : Au 0.03 μ m MIN.
2	CONTACT	PHOSPHOR BRONZE	SEE TABLE 1
1	HOUSING	LCP	UL94V-0 .BLACK
NO.	DISCRIPTION	MATERIAL	FINISH , REMARKS

Rev.13

Receptacle Assembly

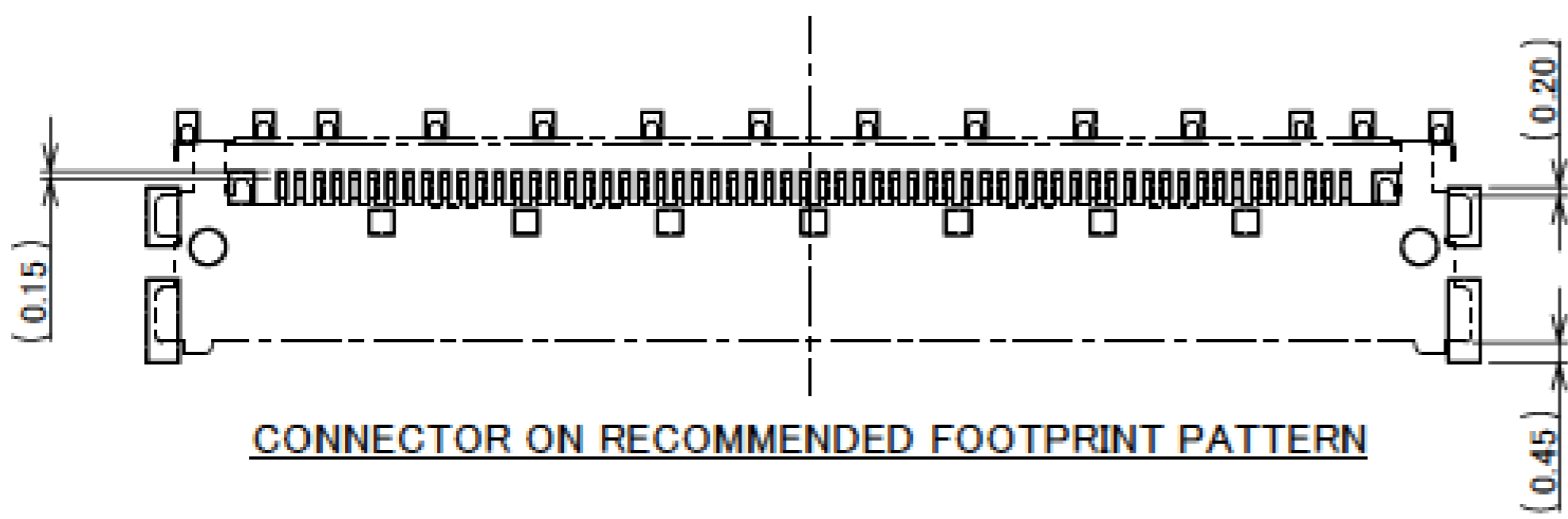


RECOMMENDED FOOTPRINT PATTERN LAYOUT

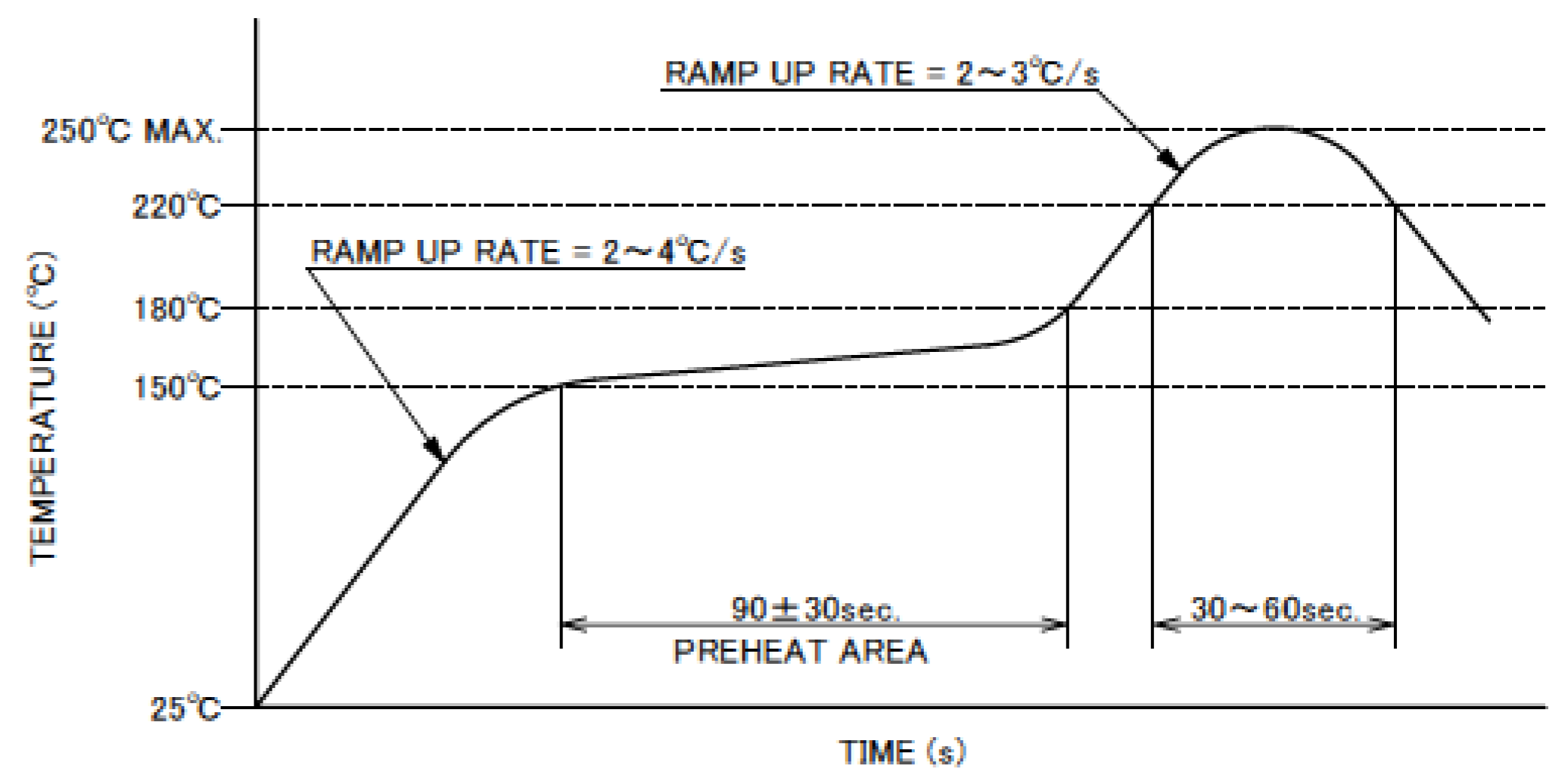


RECOMMENDED METAL MASK LAYOUT
METAL MASK THICKNESS : t=0.12mm

- NOTES:
1. DO NOT MOUNT ANOTHER COMPONENT IN THIS AREA.
2. SOLDER RESIST MUST BE APPLIED TO THIS AREA.



CONNECTOR ON RECOMMENDED FOOTPRINT PATTERN



REFLOW TEMPERATURE PROFILE
SENJU METAL INDUSTRY CO., LTD. : M705-SHF(Sn96.5 Ag3.0 Cu0.5)

Rev.13

ITEMS	SPECIFICATION
APPLICABLE CABLE	MICRO-COAXIAL CABLE : AWG# 44 , 42 , 40 , 38 , 36 DISCRETE WIRE : AWG# 36 , 34 TWINAX CABLE : AWG# 40 , 42
RATING VOLTAGE	100V AC (PER CONTACT PIN)
RATING AMPERAGE (FOR CONTACT)	0.1A AC/DC [AWG#44] PER CONTACT PIN / UP TO 60 CONTACTS 0.24A AC/DC [AWG#42] PER CONTACT PIN / UP TO 60 CONTACTS 0.3A AC/DC [AWG#40] PER CONTACT PIN / UP TO 60 CONTACTS 0.5A AC/DC [AWG#38] PER CONTACT PIN / UP TO 18 CONTACTS 0.8A AC/DC [AWG#36] PER CONTACT PIN / UP TO 6 CONTACTS 1.0A AC/DC [AWG#34] PER CONTACT PIN / UP TO 6 CONTACTS ※TESTING BY REAL MACHINE IS RECOMMENDED BECAUSE TEMPERATURE RISE MAY AFFECTED BY ACTUAL SITUATION
OPERATING TEMPERATURE	248~378K(-40°C~105°C)
OPERATING HUMIDITY	85% MAX.(NON-CONDENDING)
CONTACT RESISTANCE	INITIAL : 180mohm MAX.(AWG#34) / AFTER TEST : \triangle 40mohm MAX. 275mohm MAX.(AWG#36) 360mohm MAX.(AWG#38) 600mohm MAX.(AWG#40) 700mohm MAX.(AWG#42) 1080mohm MAX.(AWG#44)
GROUND SHELL RESISTANCE	INITIAL : 50mohm MAX. / AFTER TEST : \triangle 40mohm MAX.
INSULATION RESISTANCE	INITIAL : 1000Mohm MIN. / AFTER TEST : 500Mohm MIN.
DIELECTRIC WITHSTANDING VOLTAGE	AC250V 1min
DURABILITY	30 CYCLES
MATING FORCE (INITIAL / AFTER 30 CYCLES)	29.10N MAX.
UN-MATING FORCE (INITIAL / AFTER 30 CYCLES)	6.0N MIN.
CABLE RETENTION FORCE	29.40N MIN.
PRODUCT SPECIFICATION	PRS-2261
TEST REPORT	TR-16075, TR-23031
INSTRUCTION MANUAL	HIM-16028
ASSEMBLY MANUAL	ASM-16004
APPEARANCE CRITERIA NO.	QLS-A***

Rev.13

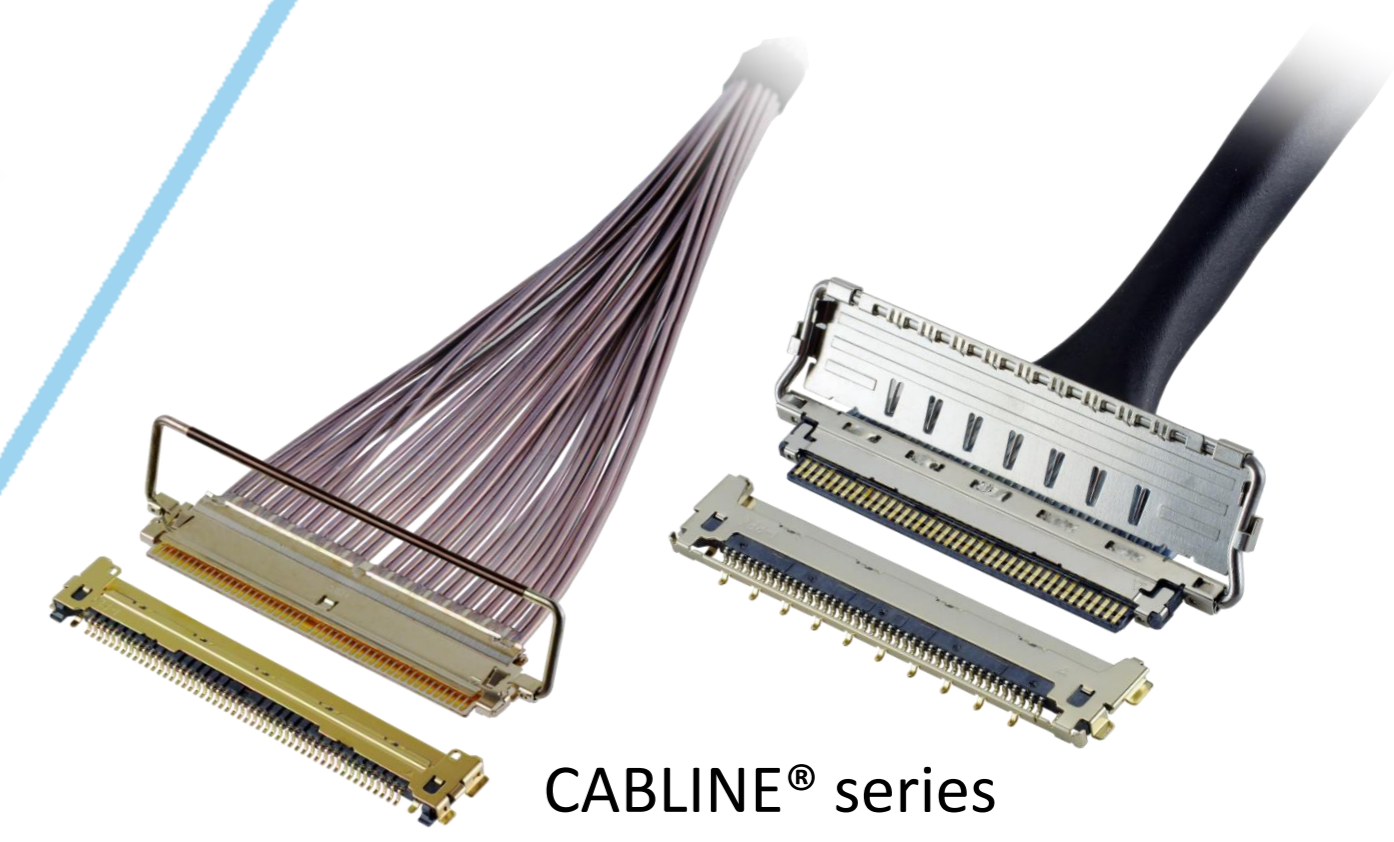
Custom Connectors Available

 RF Connector

MHF® series



Micro-coaxial/Twinax/
Discrete Wire Connector



CABLINE® series



Optical Module

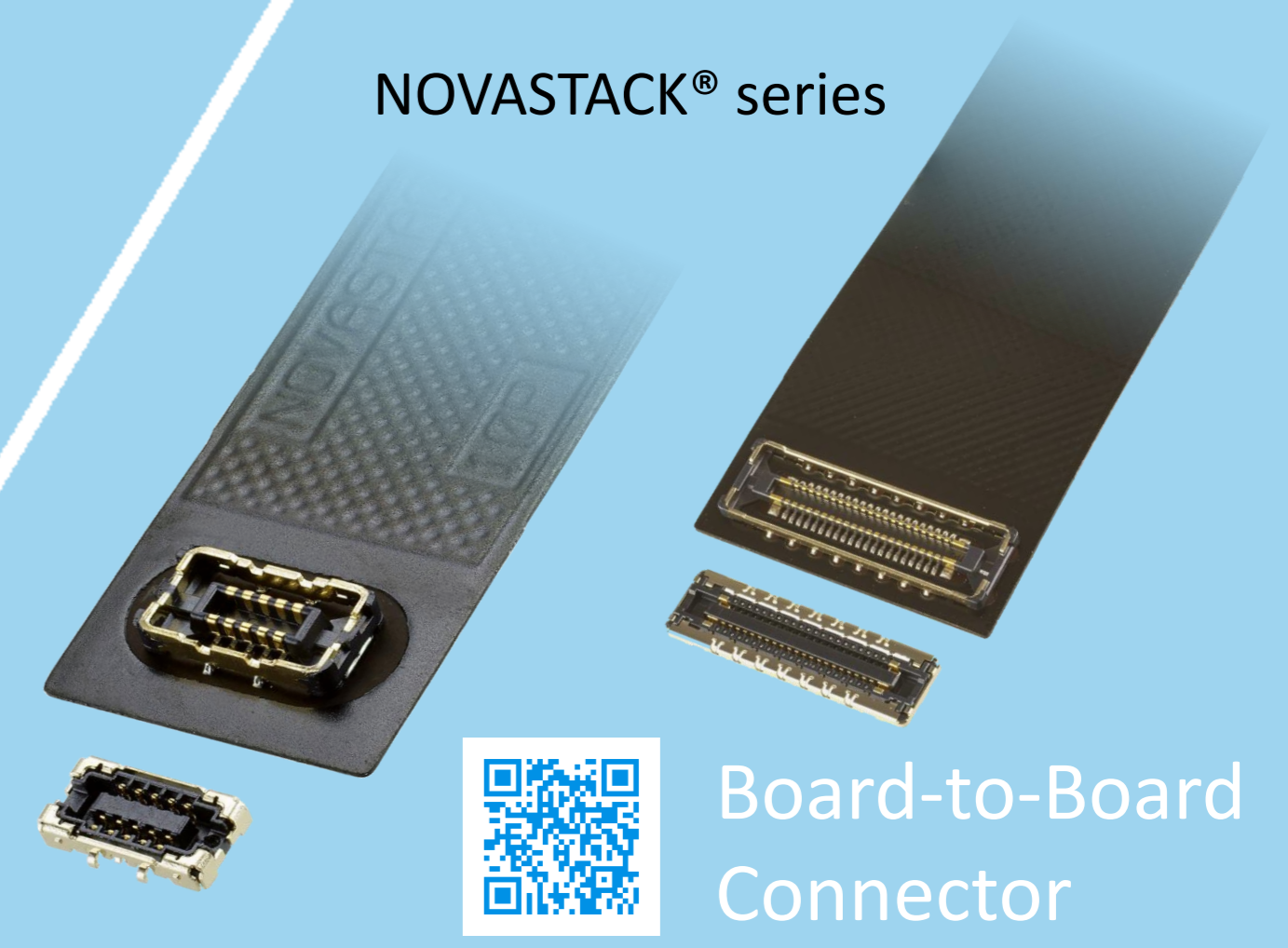
LIGHTPASS® series



NOVASTACK® series



Board-to-Board Connector



Power Connector/
Terminal

AP series

ISH® series



MINIFLEX® series

EVAFLEX® series



FPC FFC Connector



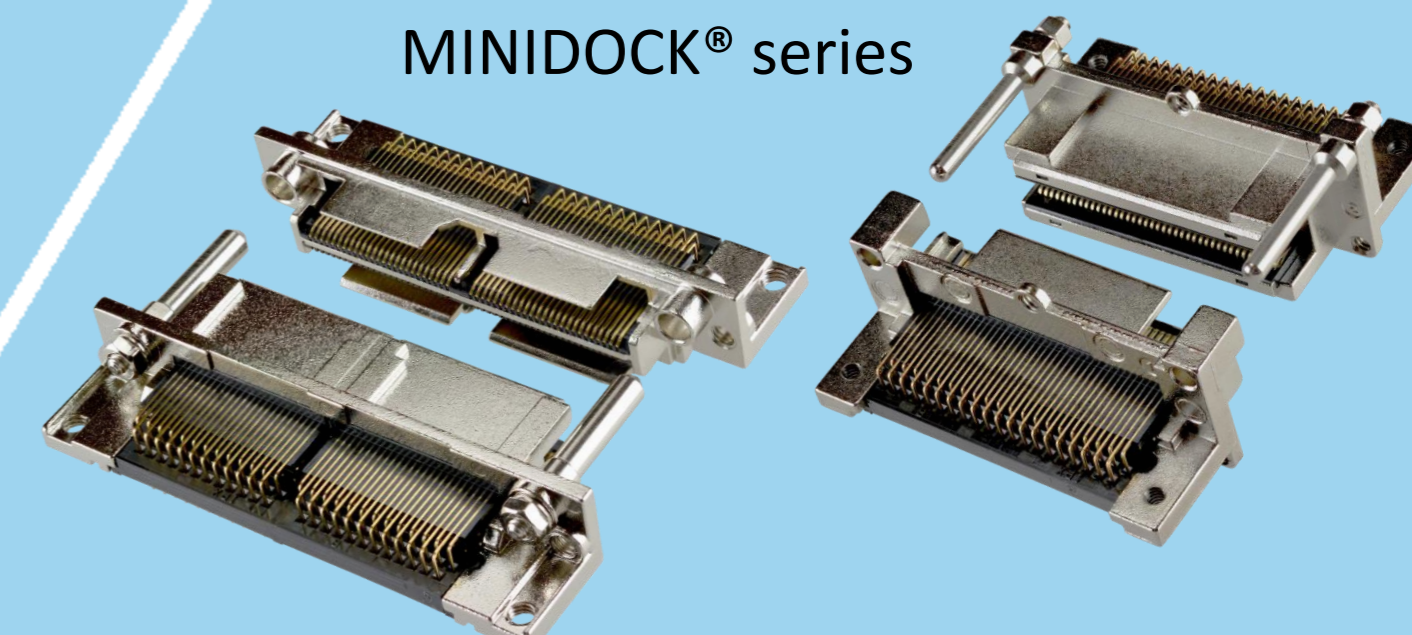
Inquiry



MINIDOCK® series



I/O Connector



I-PEX, MHF, CABLINE, LIGHTPASS, NOVASTACK, ISH, IARPB, MINIFLEX, EVAFLEX, MINIDOCKS and ZenShield are registered trademarks of I-PEX Inc. Please note that the contents in the catalog might be changed without prior notification. I-PEX Inc. assumes no responsibility for any inaccuracies or obligation to update information on these documents. Please be sure to read and understand the latest "Precautions for Use" and "Instruction Manual" before you use our products. We shall not be responsible for any defects, damages or troubles in case you use our products without following the precautions for use. Please feel free to contact our sales representatives when you use our products for any applications that require very high reliability and safety, or that relate to human life (ex. nuclear power control, aerospace, transportation, medical equipment, safety equipment etc.).

Contact your sales representative or more detailed information.

www.i-pex.com



I-PEX

© I-PEX Inc. 2024
All rights reserved