

CABLINE®-CAP

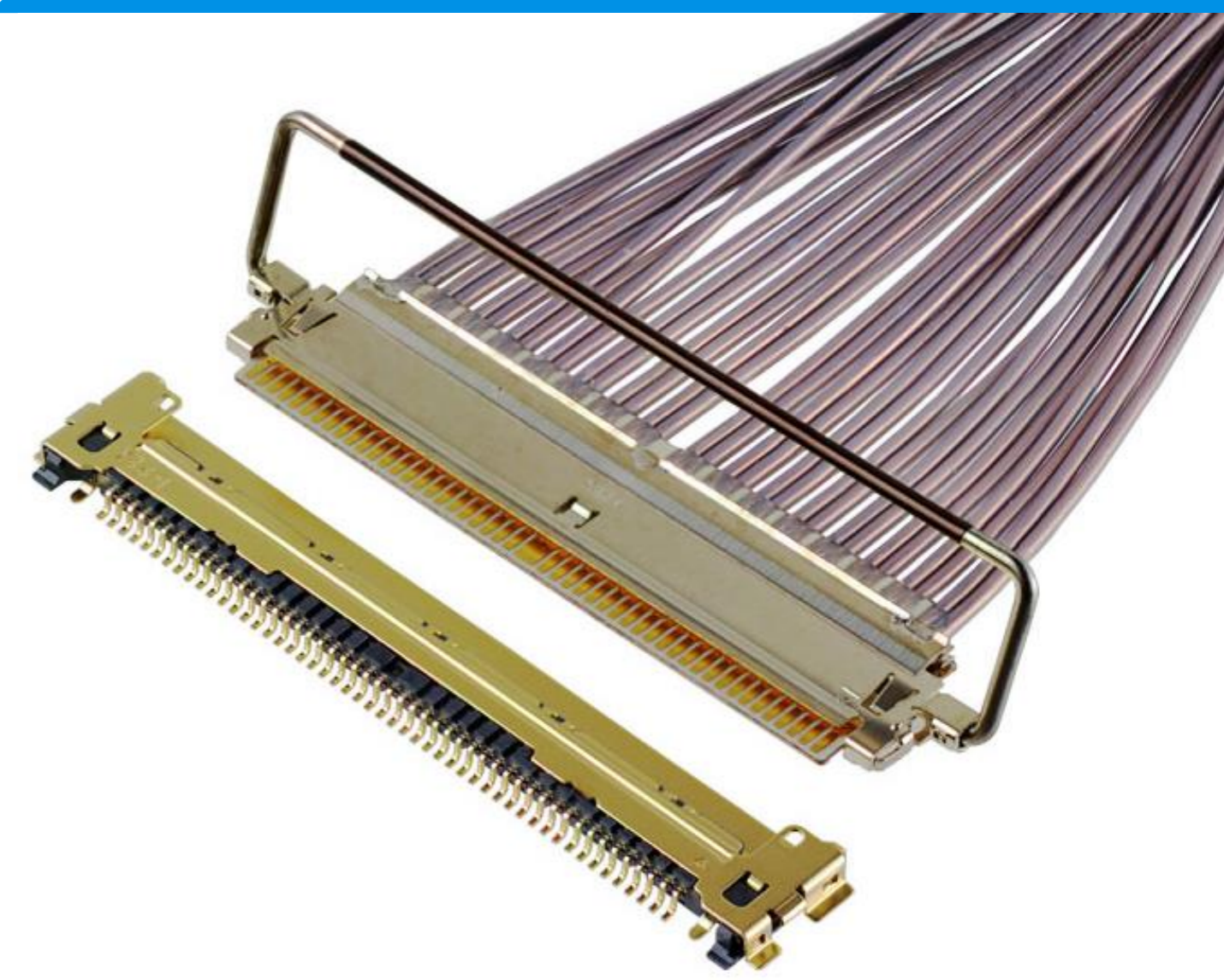
64Gbps PAM4,
0.4mm pitch, 水平插拔款極細同軸線連接器

Product Specifications:

Mating type	Horizontal	
Board Pitch (mm)	0.4	
Wiping Length (mm)	0.54	
Mated size (mm)	Height	1.15 ± 0.2
	Width	Formula: 5.75mm + (0.4mm * # of pins)
	Depth	6.86
Pin Counts	Range	Up to 60
	Available	50 (16 differential pair Max)

Applicable Cable Size:

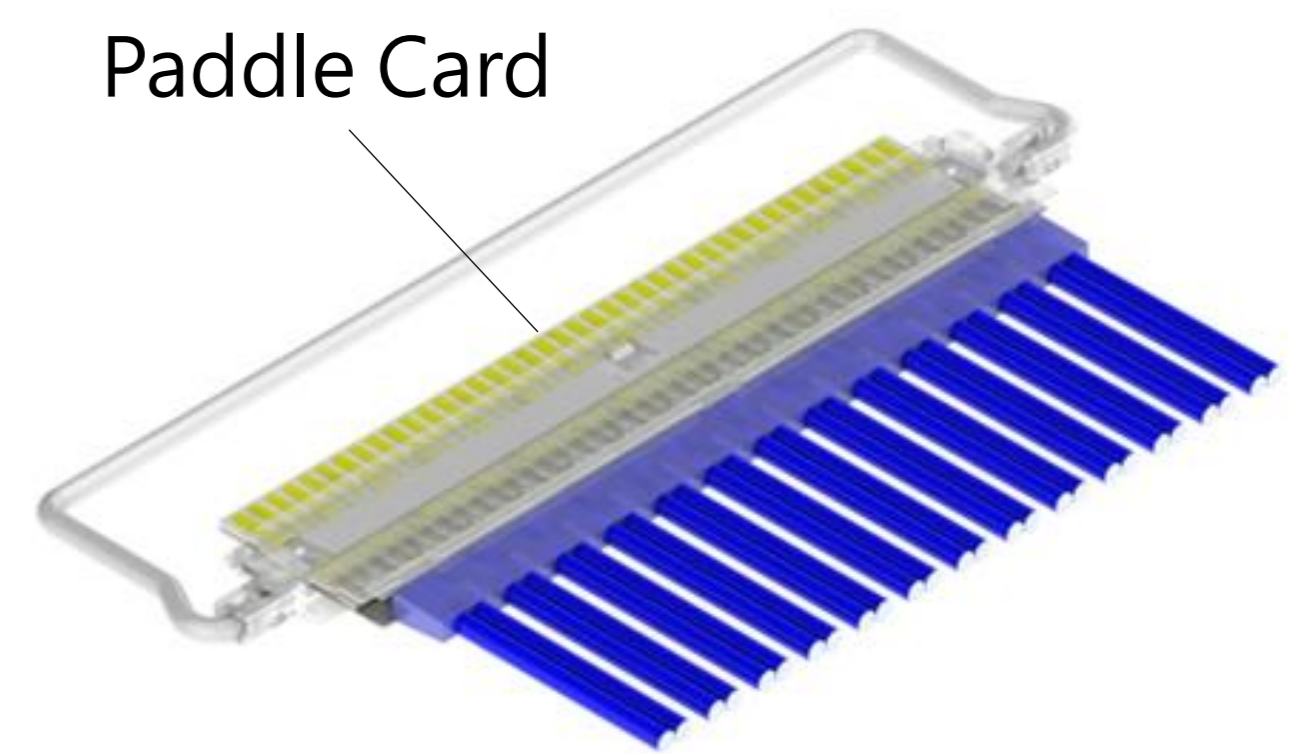
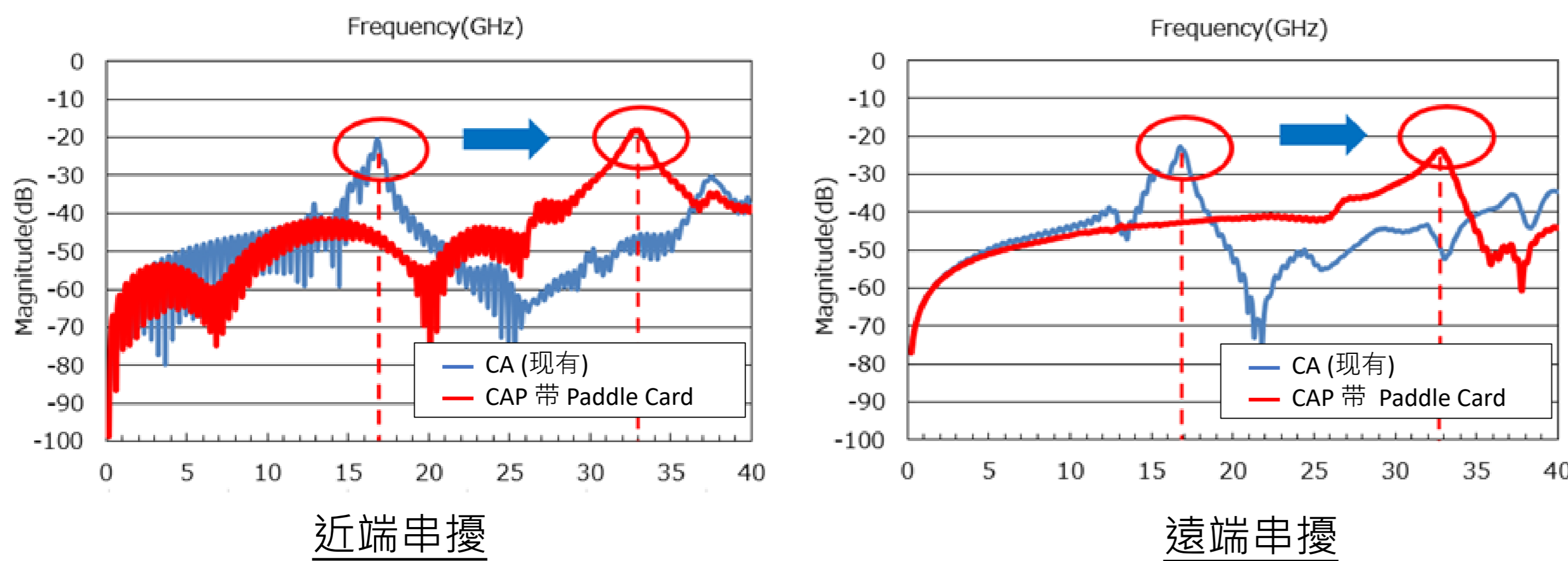
Maximum O.D. (mm)	0.47
Micro-Coaxial For Signal (AWG)	Diff 90 ohm: #38



*CABLINE®-CAP 是線束產品名稱。母座為 CABLINE®-CA (PN 20525-#50E-02) 。
*未列出的或超出上述範圍的pin數，請您聯絡我們諮詢。
*PLUG 作為線束產品提供。電纜長度可根據需要自訂。

▶ 高速傳輸 64Gbps/通道 PAM4，採用Paddle Card技術

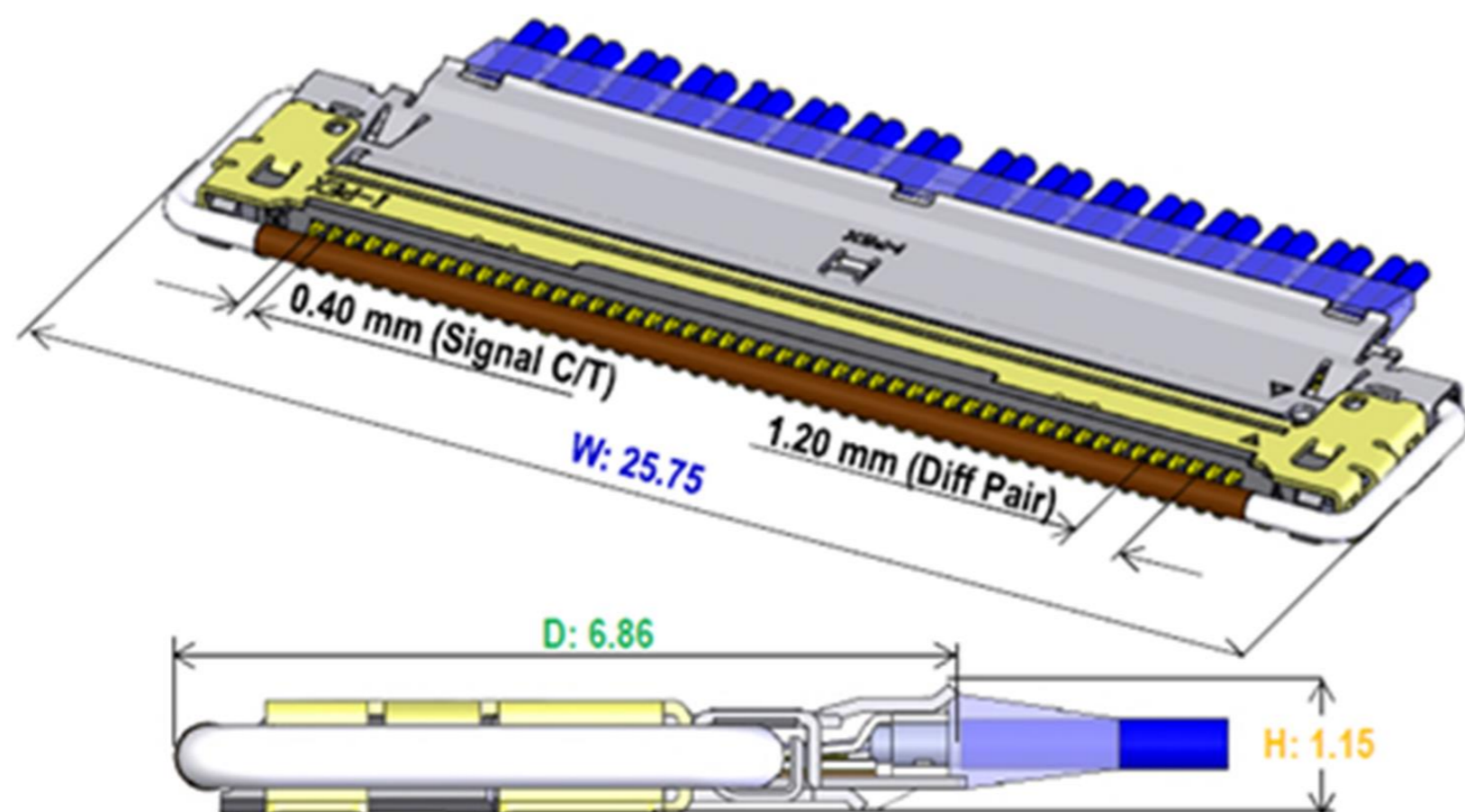
透過在電纜線端部分採用paddle card來提高訊號品質。
這使得現有 CABLINE 系列的傳輸速度更快。



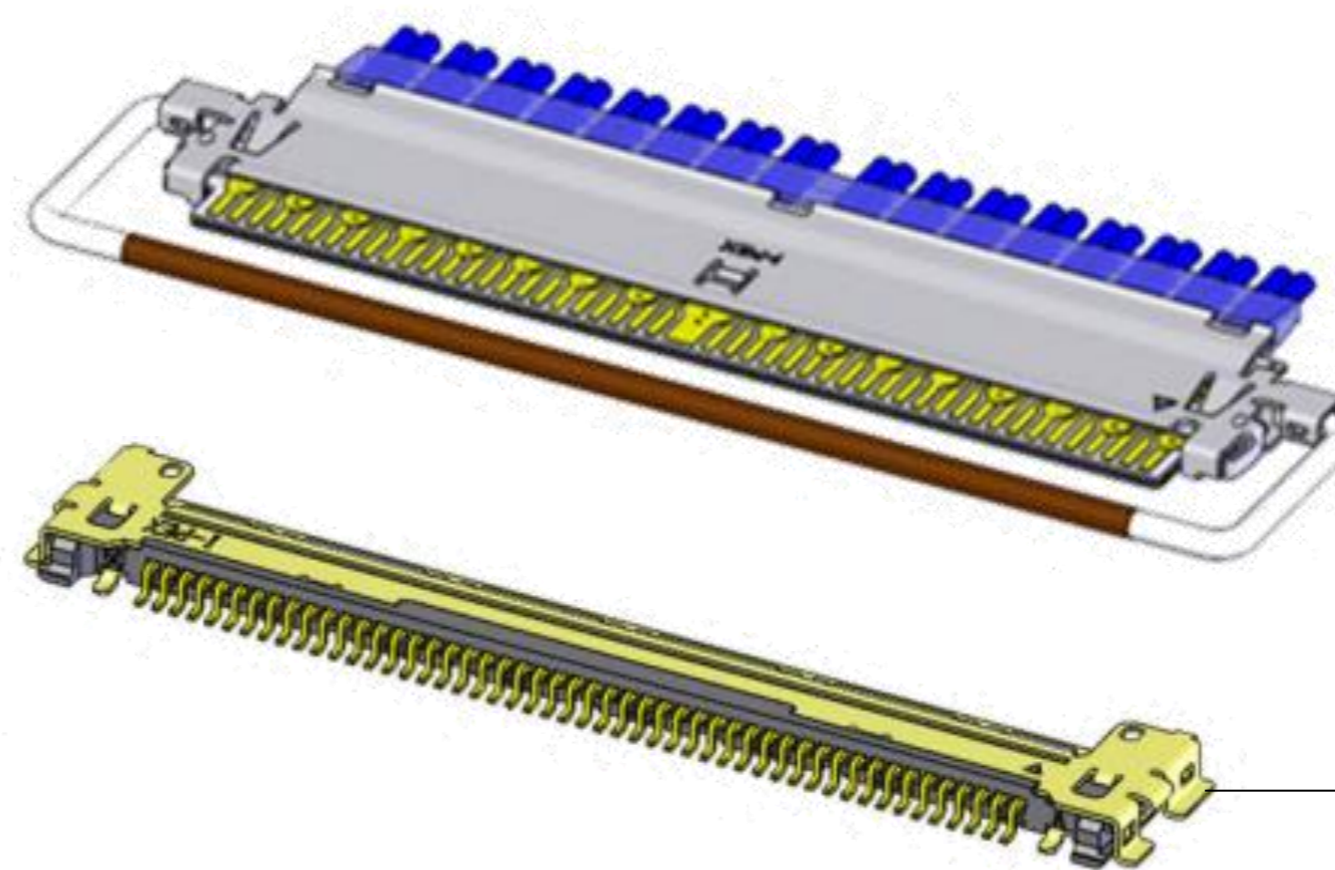
Paddle card技術資訊頁面

<https://www.i-pex.com/library/white-papers/paddle-card-technology>

▶ 薄款 (低背) 設計 H=1.15mm，非常適合空間受限的應用



Mating condition



Un-Mating condition

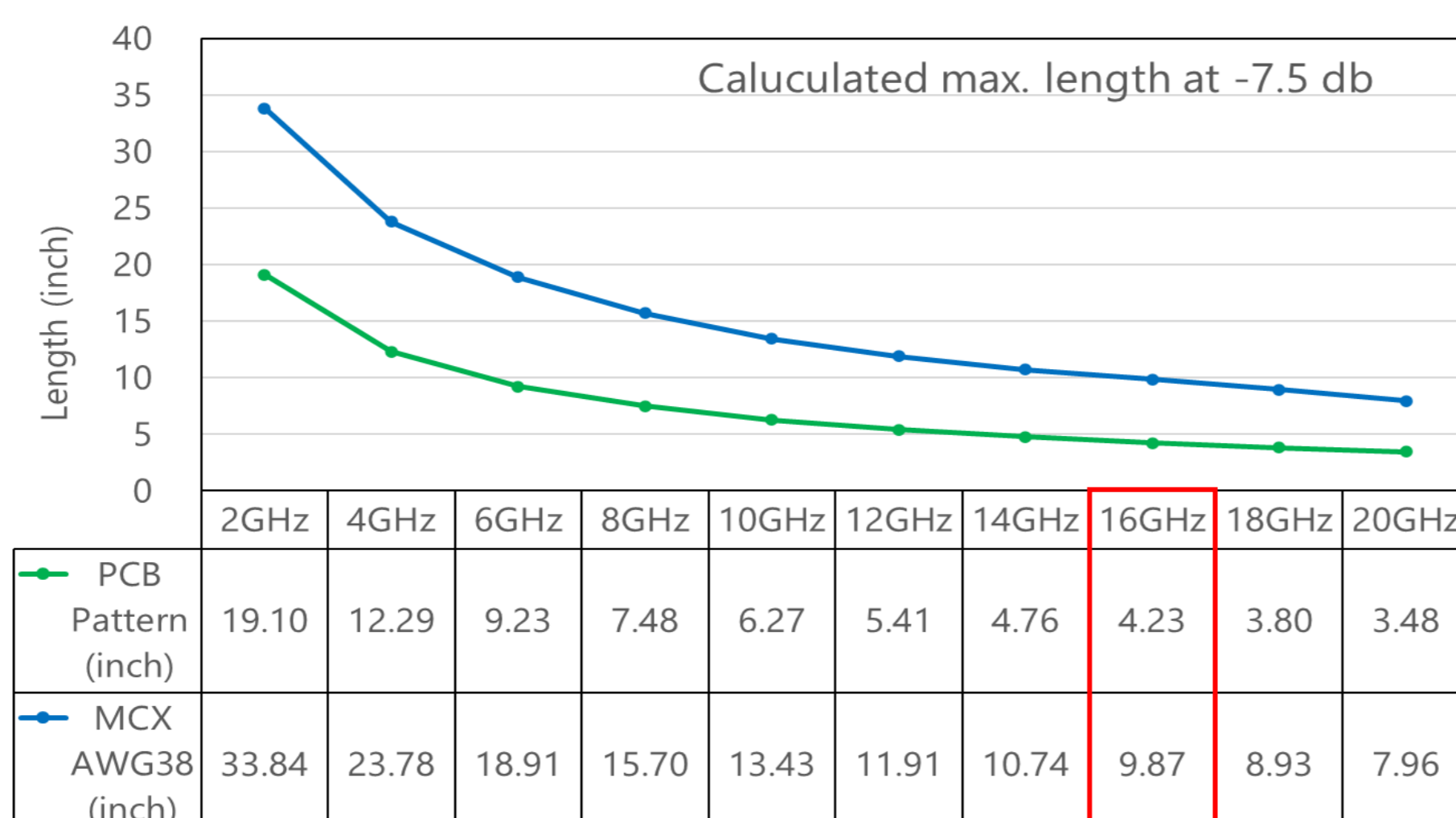
公座:
CABLINE®-CAP線束

母座:
CABLINE®-CA母座
(PN 20525-#50E-02)

▶ 極細同軸電纜的LEAPWIRE®跳線解決方案



電纜跳線線束在傳輸方面比PCB更具優勢。

低損耗 PCB (Dk3.7) 與 CABLINE-CAP® 線束 (極細同軸電纜) 的傳輸距離比較
極細同軸電纜在 16GHz 頻段的傳輸距離約為低損耗 PCB (Dk3.7) 傳輸的 2.3 倍。



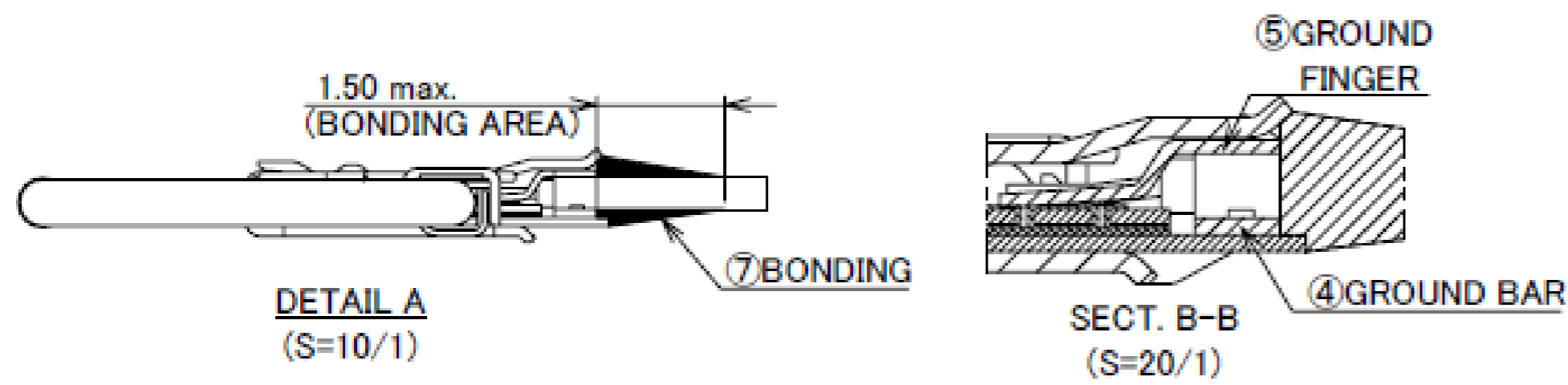
Component Parts Details

Component Parts

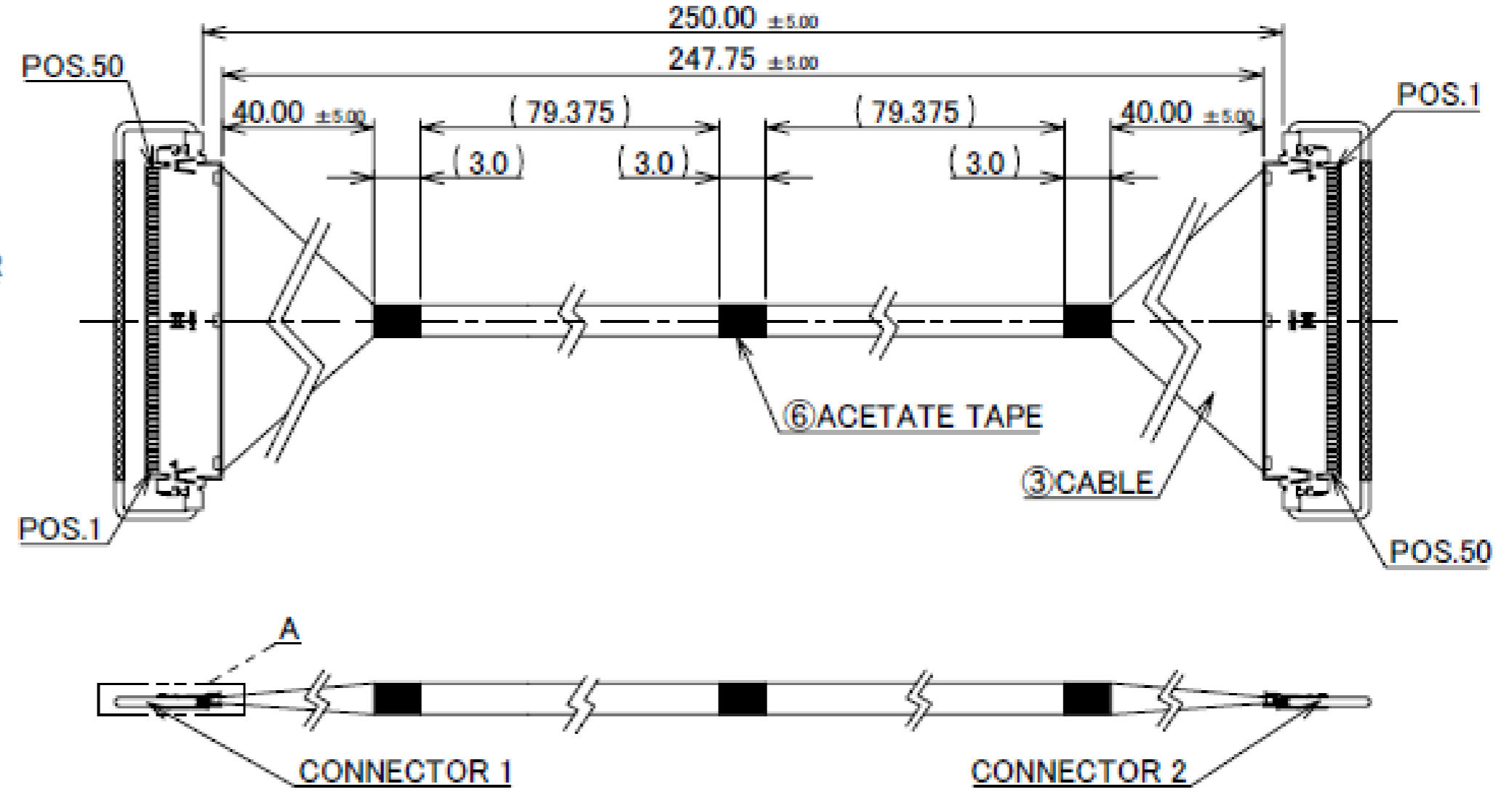
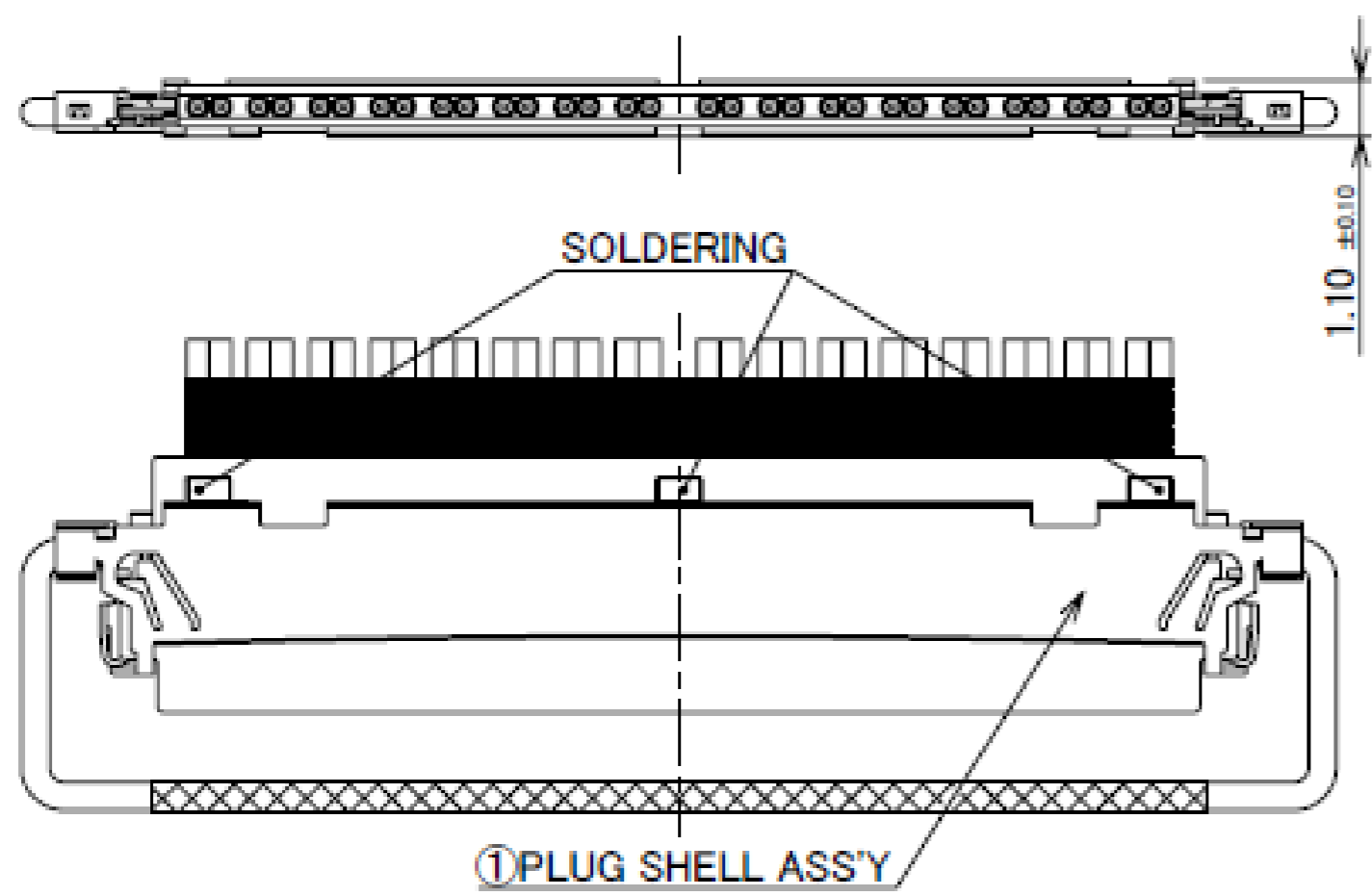
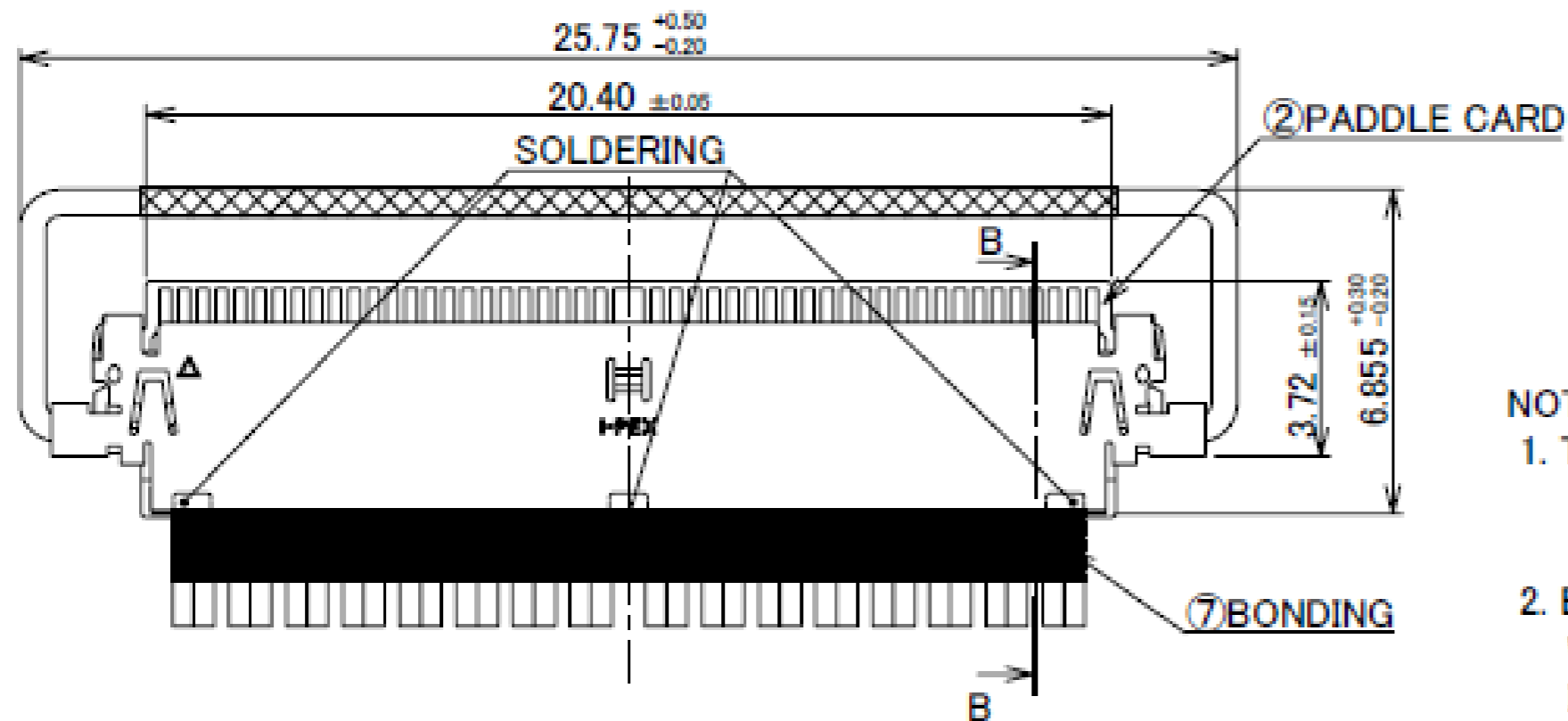
Connector parts	
	
PLUG Harness	RECEPTACLE

Plug Harness Assembly

I-PEX PART NO.	HARNESS LENGTH
81863-100B-01	250



CONNECTOR 1&2
(S=5/1)



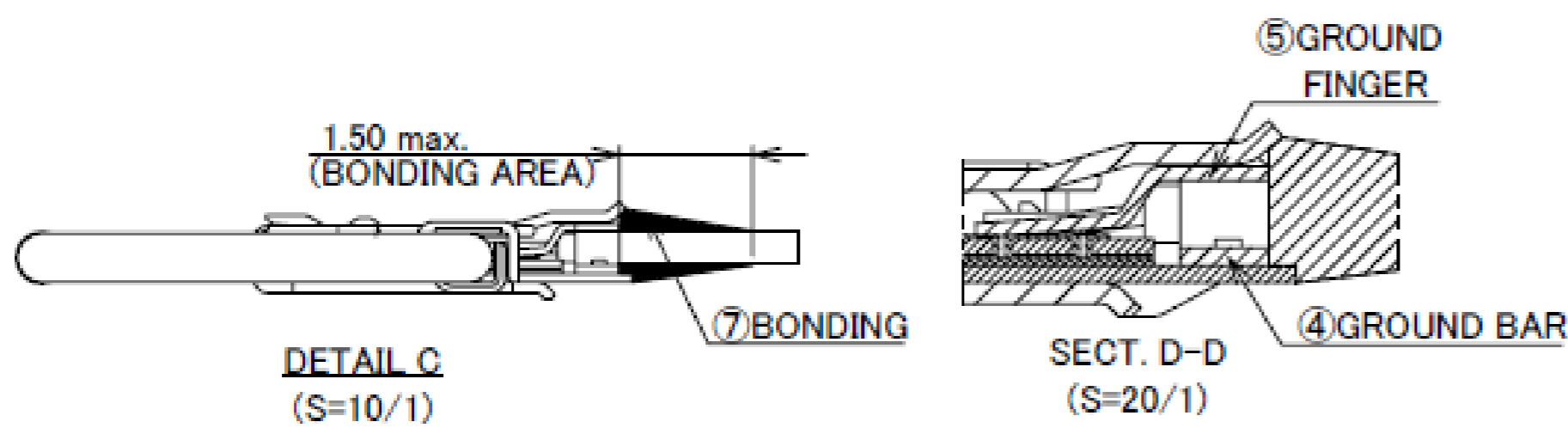
NOTE.

- TO HANDLE THIS CONNECTOR :
YOU MUST READ AND FOLLOW THE INSTRUCTION MANUAL BELOW.
I-PEX INSTRUCTION MANUAL No.HIM-23013.
- ELECTRIC CHARACTERISTICS
WITHSTANDING VOLTAGE: AC 250V LEAKAGE CURRENT 2.0mA MAX.
INSULATION RESISTANCE: 50MΩ MIN. DC 100V
- THE OPERATING TEMPERATURE OF THE HARNESS: 80°C MAX.
- MINIMUM HARNESS LENGTH: 85mm

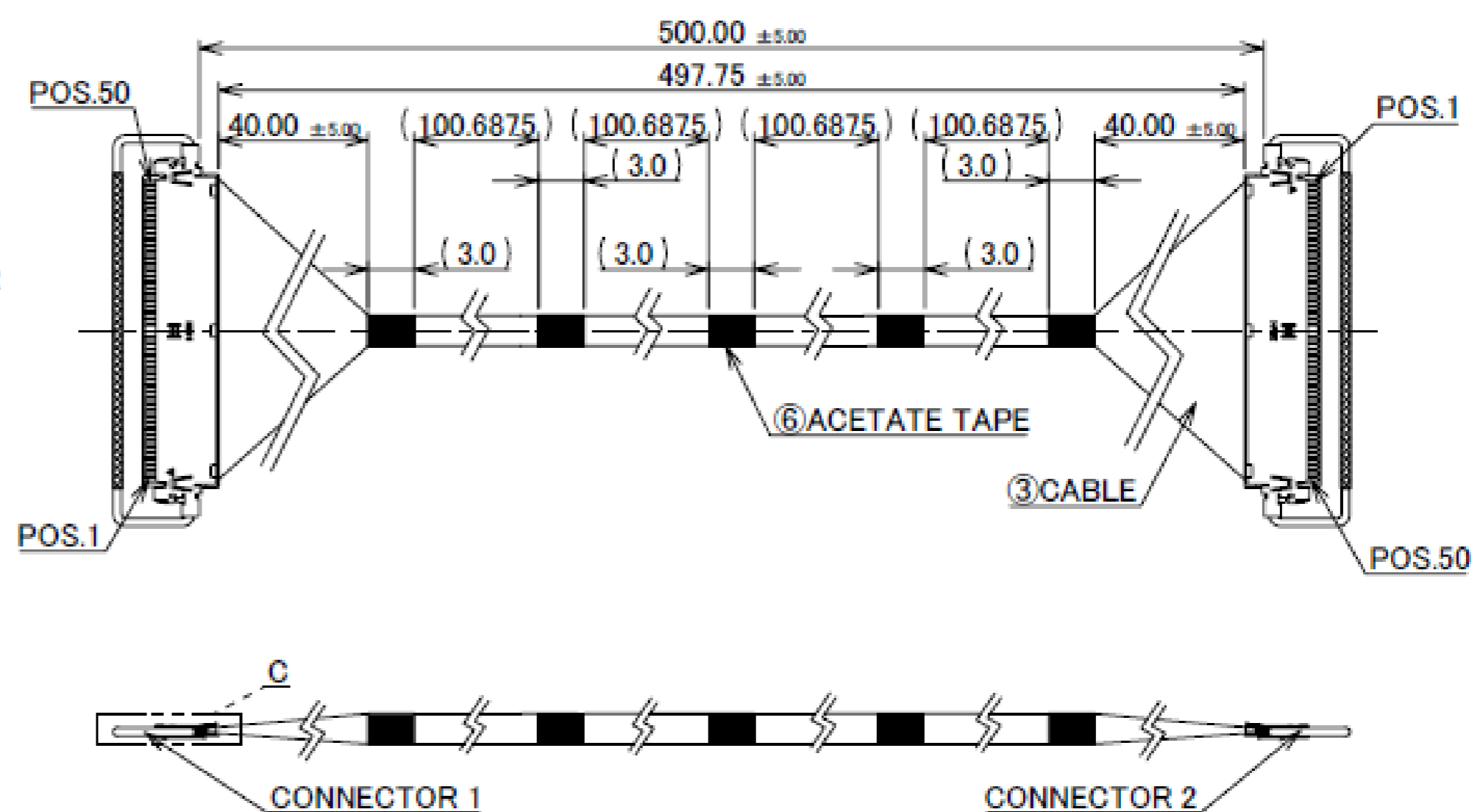
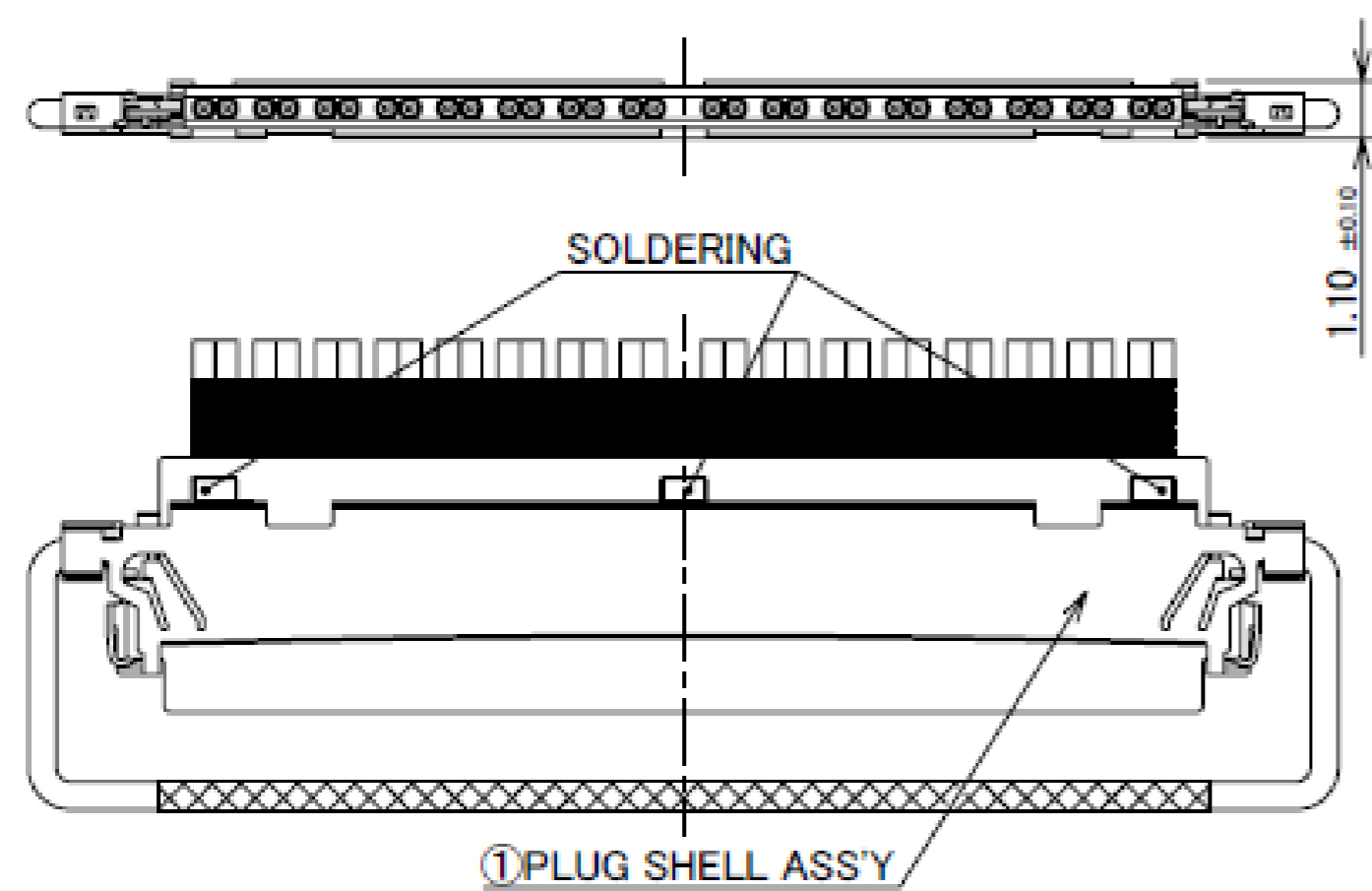
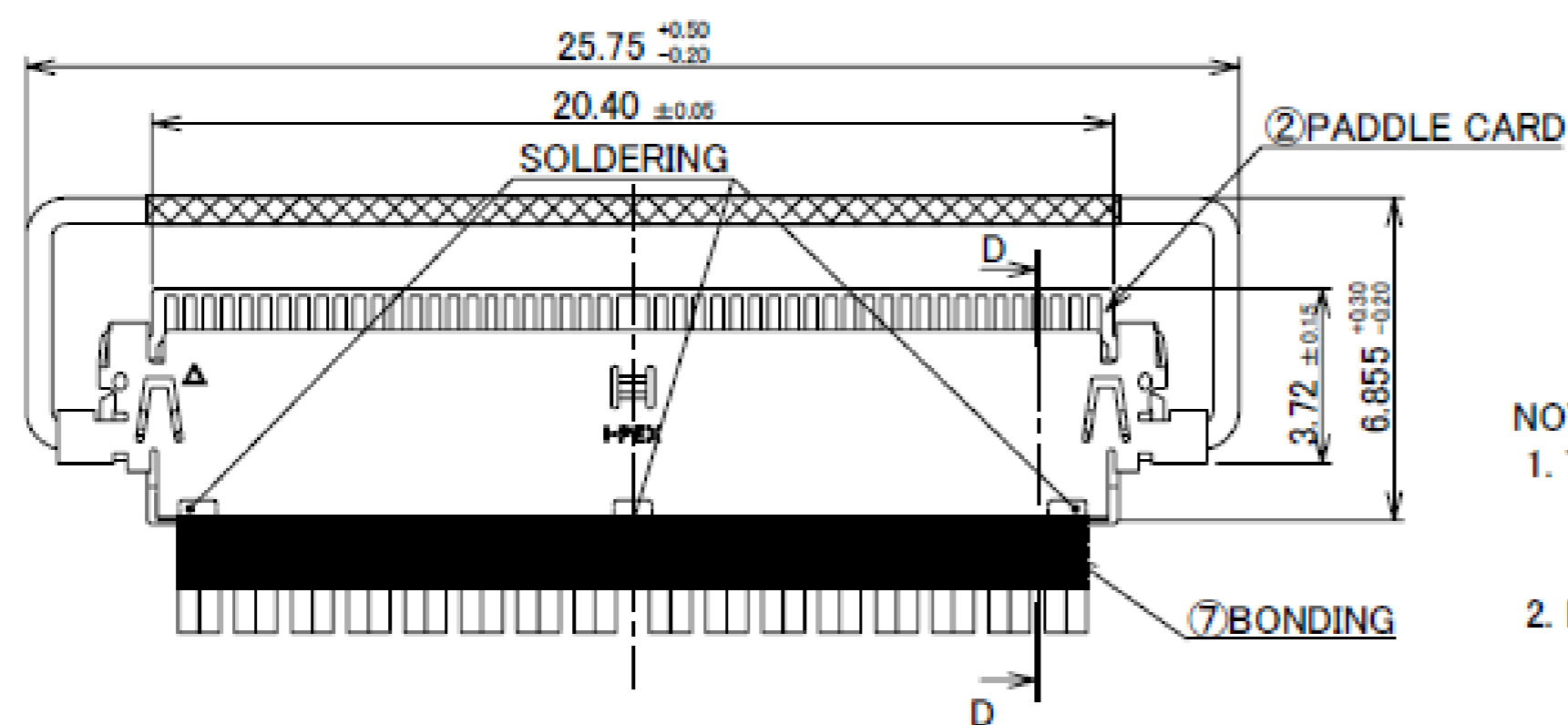
7	BONDING	-	-	UV GLUE
6	ACETATE TAPE	-	3	BLACK
5	GROUND-FINGER	-	2	-
4	GROUND-BAR	-	2	-
3	CABLE	-	32	MICRO-COAXIAL CABLE AWG #38, 45 OHM, BLUE
2	PADDLE CARD	3660-0501	2	CONNECTOR 1&2
1	PLUG SHELL ASS'Y	20993-050T-01	2	CABLIN [®] -CAP PLUG SHELL ASS'Y P/N: 20993-050T-01 CONNECTOR TO BE MATED: 20525-050E-02
NO.	DESCRIPTION	PARTS NO.	QTY	REMARKS

Rev.1

I-PEX PART NO.	HARNESS LENGTH
81863-100B-02	500



CONNECTOR 1&2
(S=5/1)



NOTE.

- TO HANDLE THIS CONNECTOR :
YOU MUST READ AND FOLLOW THE INSTRUCTION MANUAL BELOW.
I-PEX INSTRUCTION MANUAL No.HIM-23013.
- ELECTRIC CHARACTERISTICS
WITHSTANDING VOLTAGE: AC 250V LEAKAGE CURRENT 2.0mA MAX.
INSULATION RESISTANCE: 50MΩ MIN. DC 100V
- THE OPERATING TEMPERATURE OF THE HARNESS: 80°C MAX.
- MINIMUM HARNESS LENGTH: 85mm

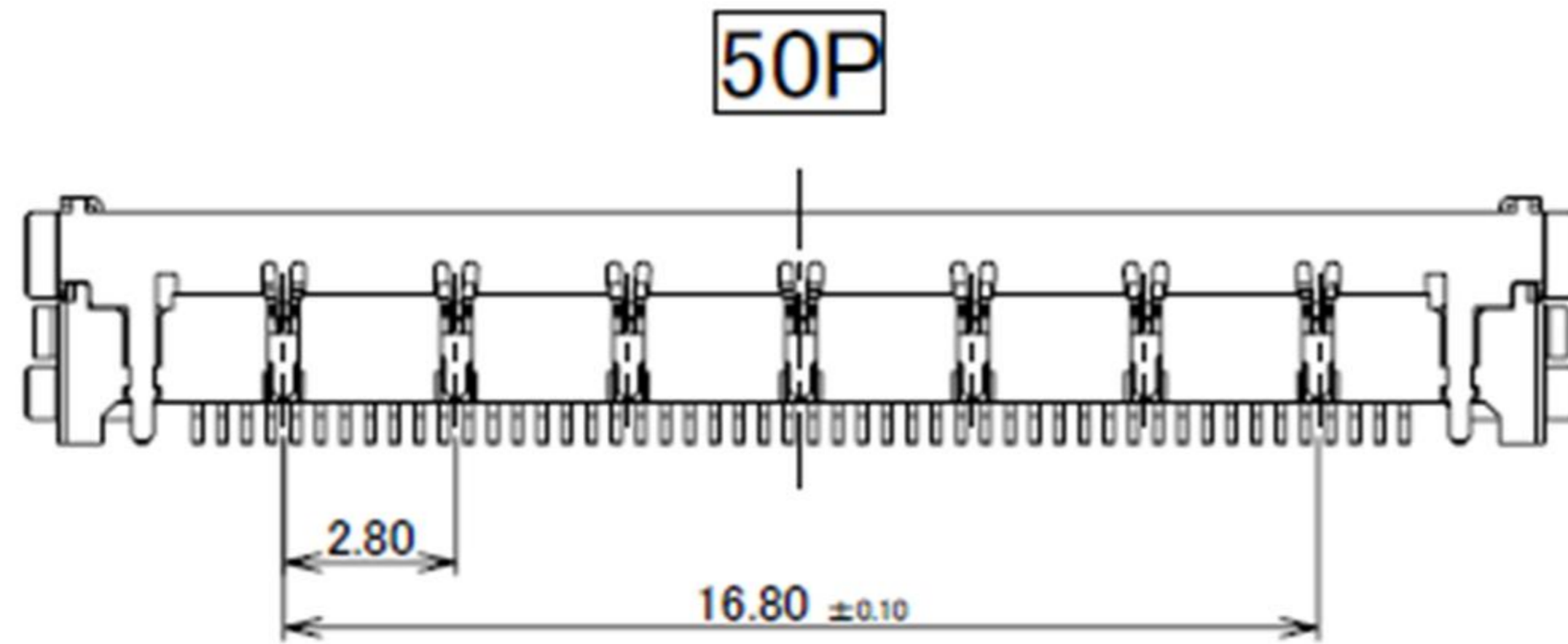
7	BONDING	-	-	UV GLUE
6	ACETATE TAPE	-	5	BLACK
5	GROUND-FINGER	-	2	-
4	GROUND-BAR	-	2	-
3	CABLE	-	32	MICRO-COAXIAL CABLE AWG #38, 45 OHM, BLUE
2	PADDLE CARD	3660-0501	2	CONNECTOR 1&2
1	PLUG SHELL ASS'Y	20993-050T-01	2	CABLIN [®] -CAP PLUG SHELL ASS'Y P/N: 20993-050T-01 CONNECTOR TO BE MATED: 20525-050E-02
NO.	DESCRIPTION	PARTS NO.	QTY	REMARKS

Rev.1

Receptacle Assembly

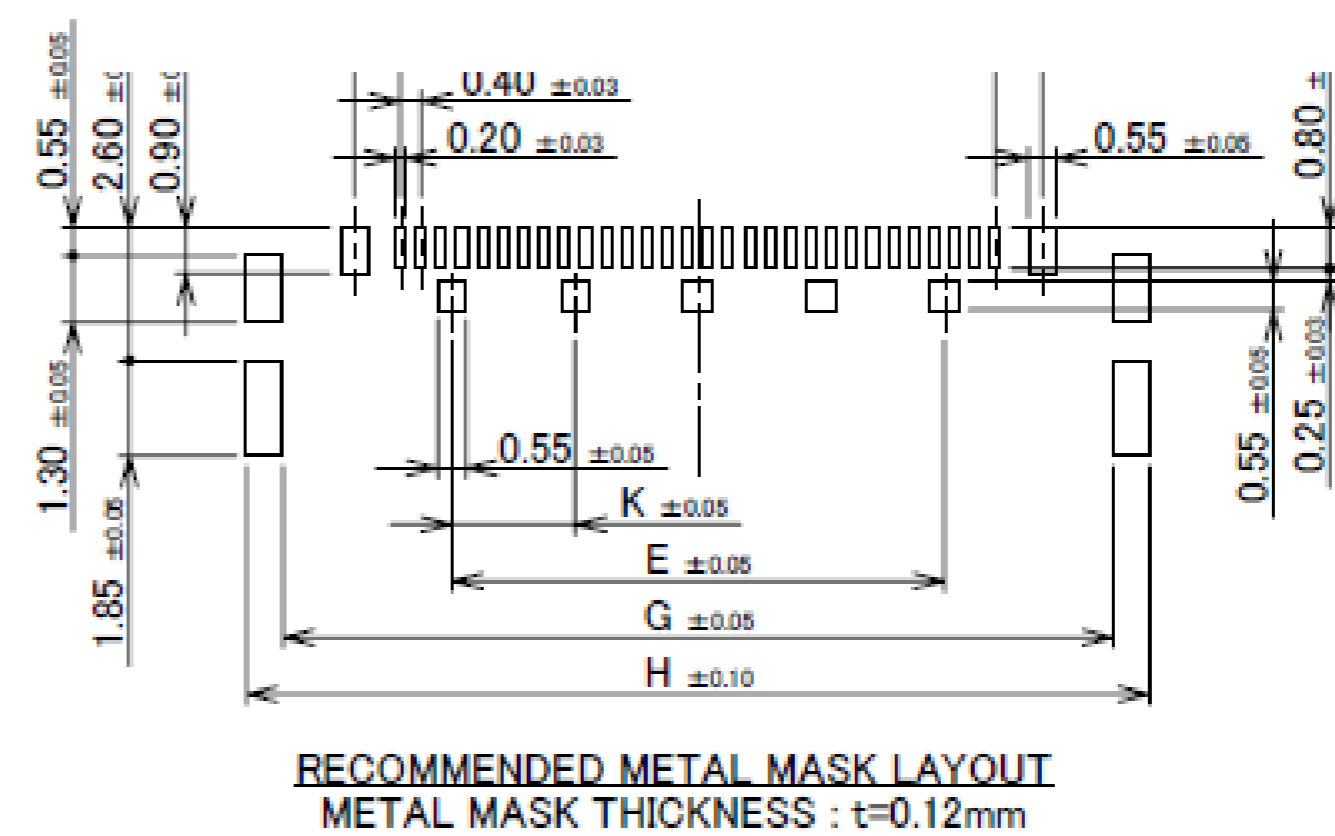
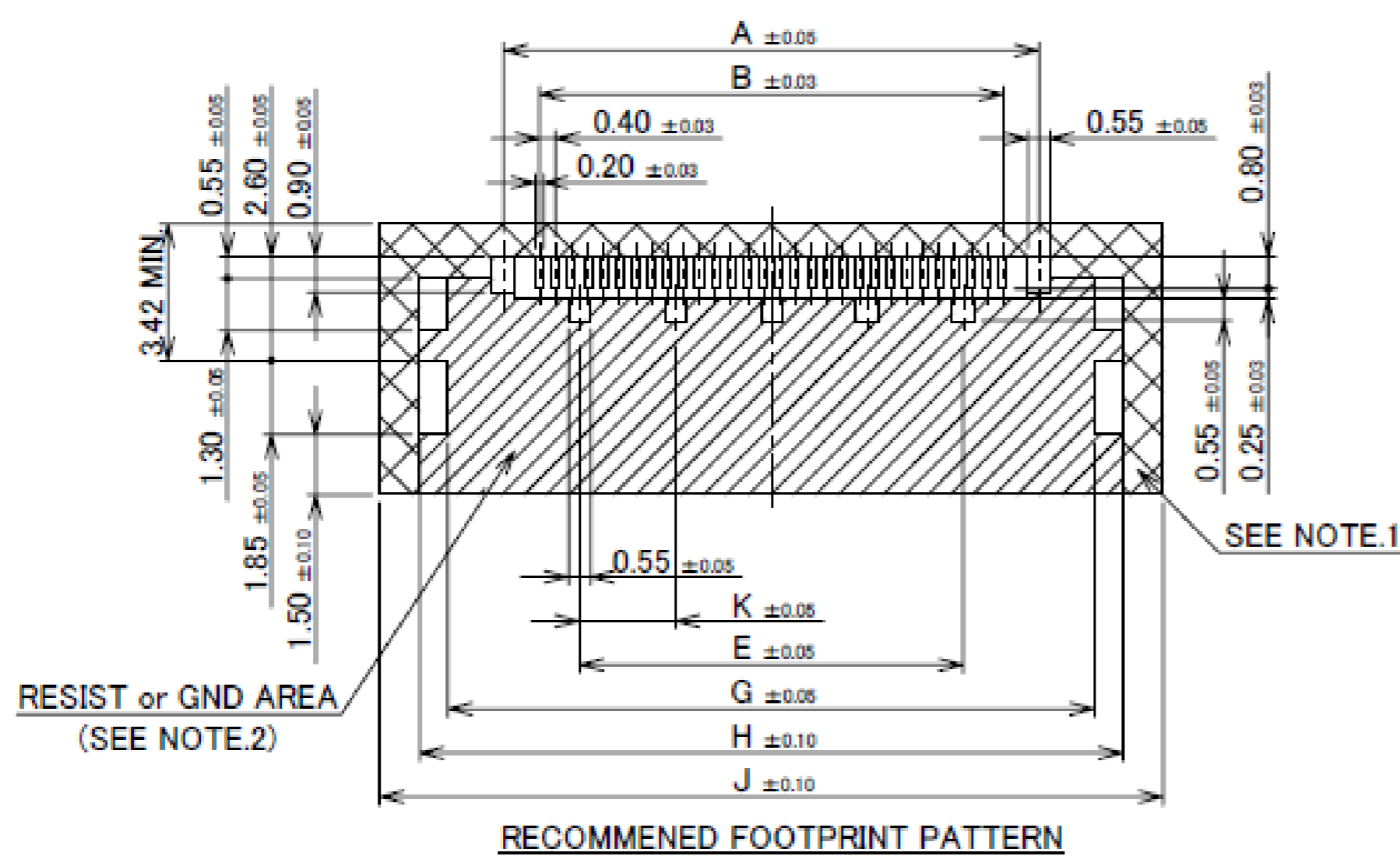
PART NO.
20525-050E-02

BOTTOM VIEW



Rev.27

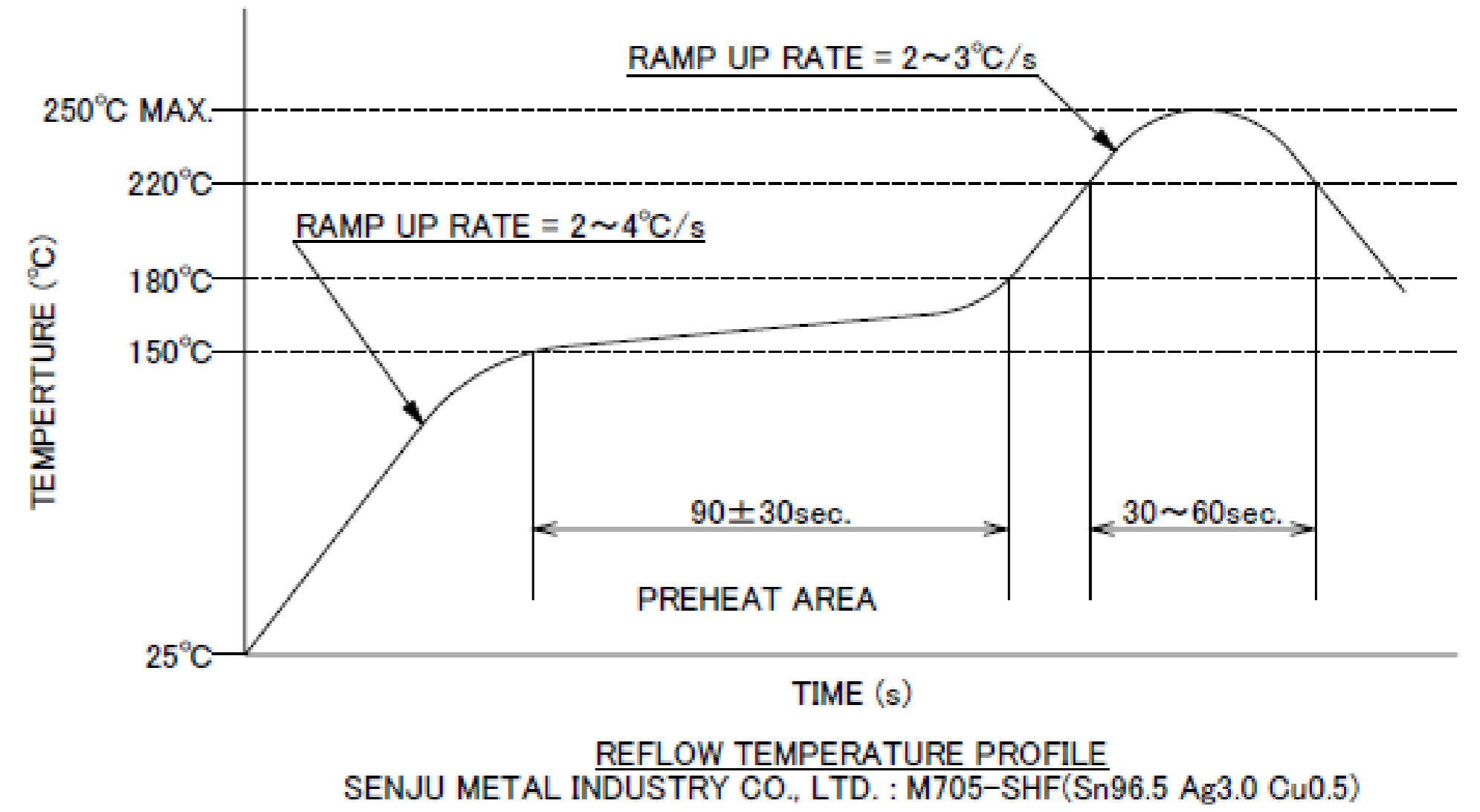
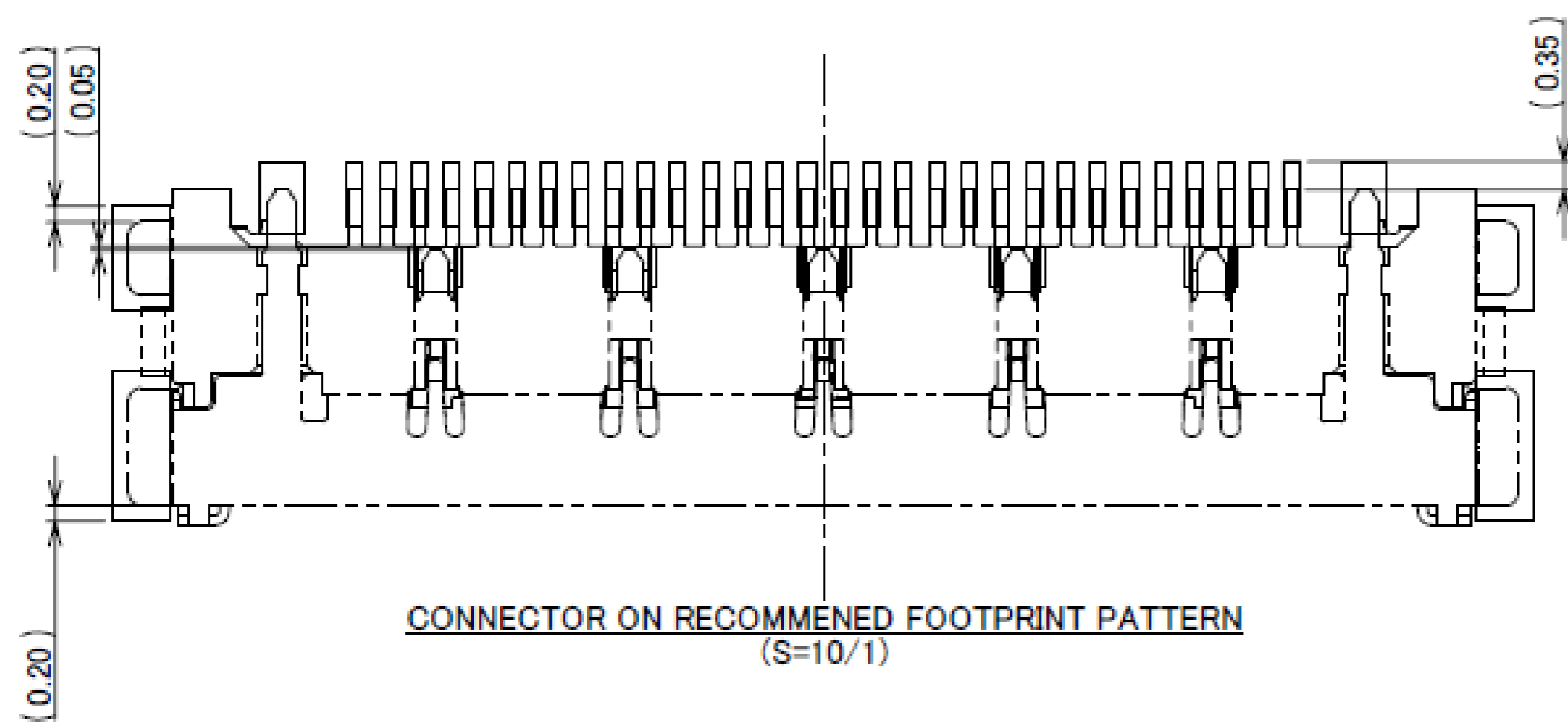
PART NO.	POS.	A	B	E	G	H	J	K
20525-050E-02	50	21.40	19.60	16.80	24.18	25.60	27.60	2.80



- NOTES.
1. IN CASE OF PLUG WITH PULL BAR(20633-##*T-01S), THIS AREA CANNOT MOUNT ANOTHER COMPONENTS.
 2. SOLDER RESIST SHALL BE APPLIED TO PREVENT SHORT CIRCUITS WHEN PLACING SIGNAL LINES ON GROUND AREA.

Rev.27

Receptacle Assembly



Rev.27

ITEMS	SPECIFICATION
APPLICABLE CABLE	Micro Coaxial: AWG#38 Diff 90ohm
RATING AMPERAGE (FOR CONTACT)	0.4A AC/DC (AWG#38)
RATING VOLTAGE	100V AC (PER CONTACT PIN)
OPERATING TEMPERATURE	233~358K (-40°C~85°C)
OPERATING HUMIDITY	85°C MAX. (NON-CONDENDING)
CONTACT RESISTANCE	INITIAL: 270mohm MAX.(AWG#38) / AFTER TEST: Δ40mohm MAX.
GROUND SHELL RESISTANCE	INITIAL : 50mohm MAX. / AFTER TEST : Δ40mohm MAX.
INSULATION RESISTANCE	INITIAL: 1000Mohm MIN. / AFTER TEST: 500Mohm MIN.
DIELECTRIC WITHSTANDING VOLTAGE	AC250V 1min
DURABILITY	30CYCLES
MATING FORCE (INITIAL / AFTER 30 CYCLES)	50P: 18.9N MAX.
UNMATING FORCE (INITIAL / AFTER 30 CYCLES)	50P: 2.5N MIN.
CABLE RETENTION FORCE	50P: 24.5N MIN.
PRODUCT SPECIFICATION	PRS-2832
TEST REPORT	TR-23020
INSTRUCTION MANUAL	HIM-23013

Rev.1

Custom Connectors Available

 RF Connector

MHF® series



 CABLINE® series
Micro-coaxial/Twinax/
Discrete Wire Connector



 Optical Module

LIGHTPASS® series



NOVASTACK® series

 Board-to-Board Connector



 Power Connector/
Terminal

AP series

ISH® series



MINIFLEX® series

EVAFLEX® series

 FPC FFC
Connector

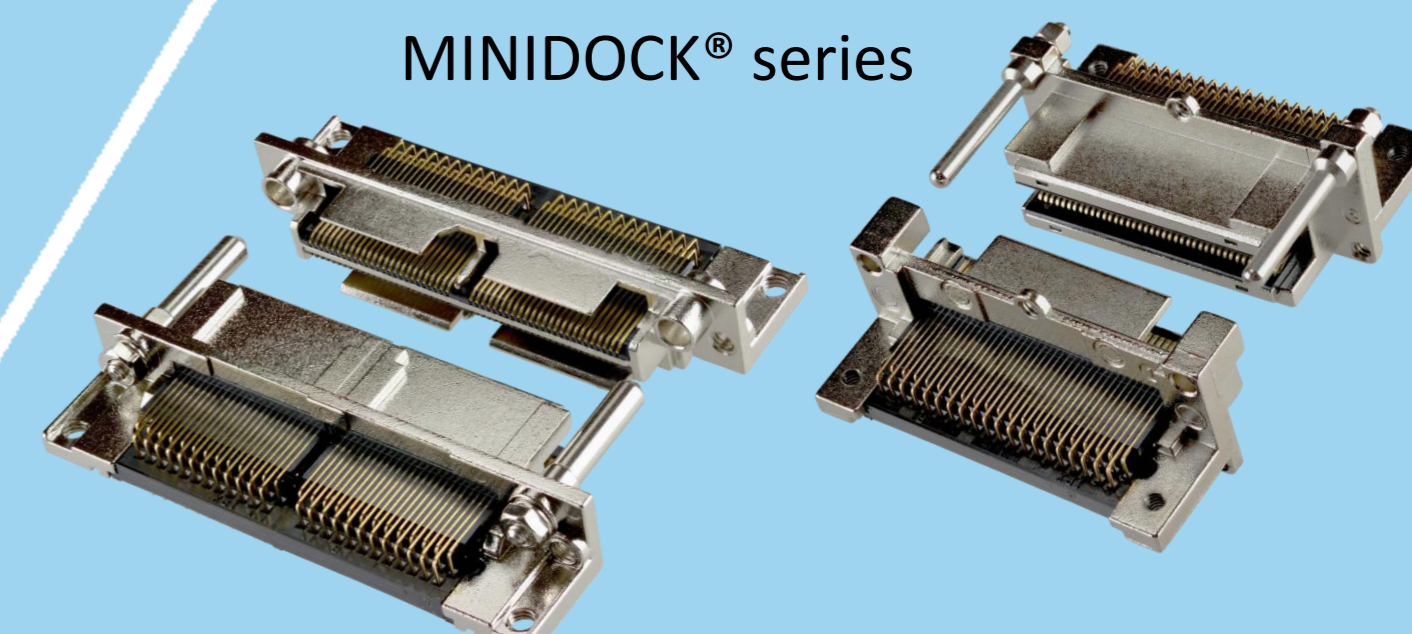


Inquiry



MINIDOCK® series

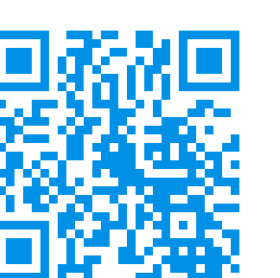
 I/O
Connector



I-PEX, MHF, CABLINE, LIGHTPASS, NOVASTACK, ISH, IARPB, MINIFLEX, EVAFLEX, MINIDOCKS and ZenShield are registered trademarks of I-PEX Inc. Please note that the contents in the catalog might be changed without prior notification. I-PEX Inc. assumes no responsibility for any inaccuracies or obligation to update information on these documents. Please be sure to read and understand the latest "Precautions for Use" and "Instruction Manual" before you use our products. We shall not be responsible for any defects, damages or troubles in case you use our products without following the precautions for use. Please feel free to contact our sales representatives when you use our products for any applications that require very high reliability and safety, or that relate to human life (ex. nuclear power control, aerospace, transportation, medical equipment, safety equipment etc.).

Contact your sales representative
or more detailed information.

www.i-pex.com



I-PEX

© I-PEX Inc. 2024
All rights reserved