

CABLINE®-CAP

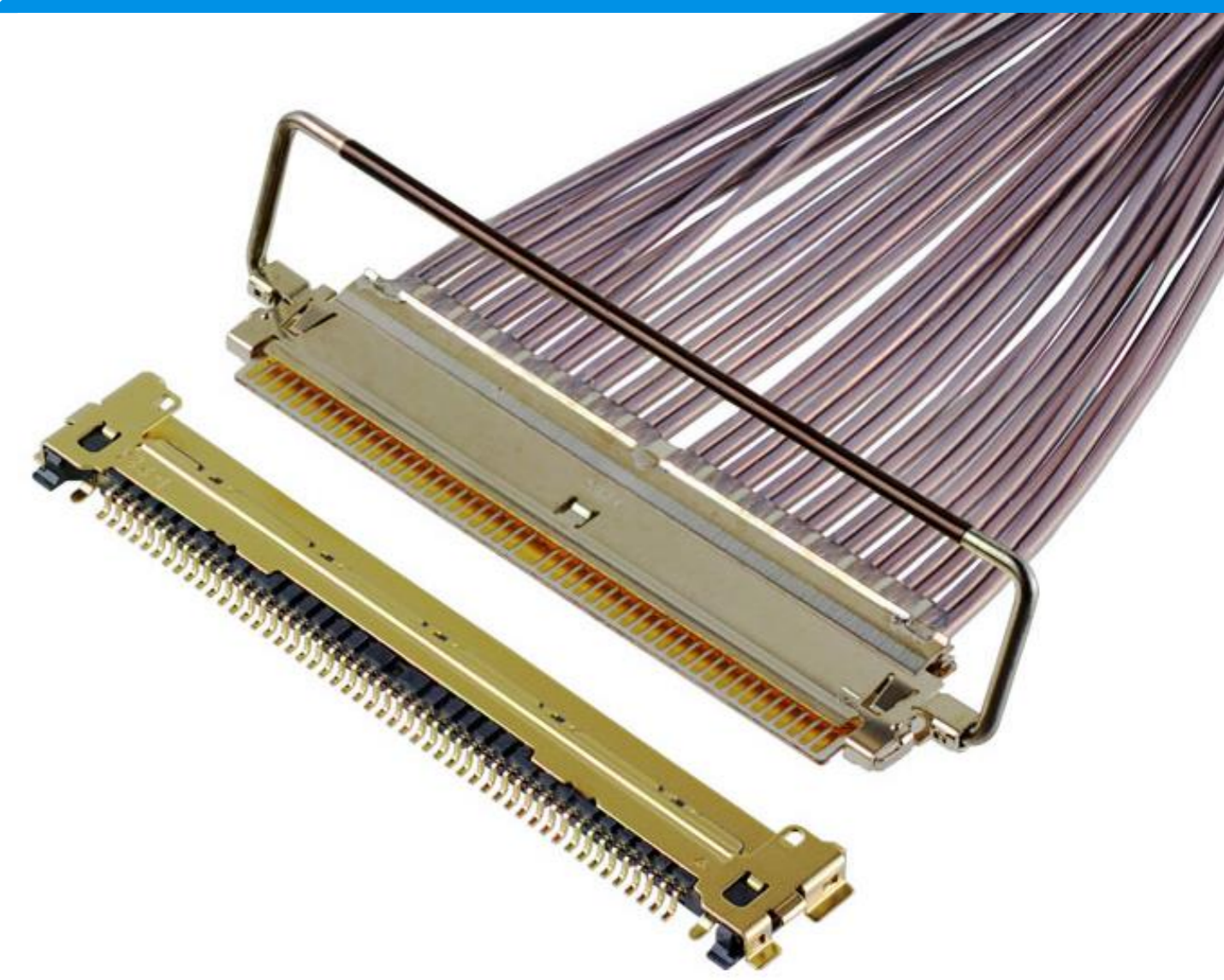
64Gbps PAM4,
0.4mm pitch, 水平插拔款极细同轴线连接器

Product Specifications:

Mating type	Horizontal	
Board Pitch (mm)	0.4	
Wiping Length (mm)	0.54	
Mated size (mm)	Height	1.15 ± 0.2
	Width	Formula: 5.75mm + (0.4mm * # of pins)
	Depth	6.86
Pin Counts	Range	Up to 60
	Available	50 (16 differential pair Max)

Applicable Cable Size:

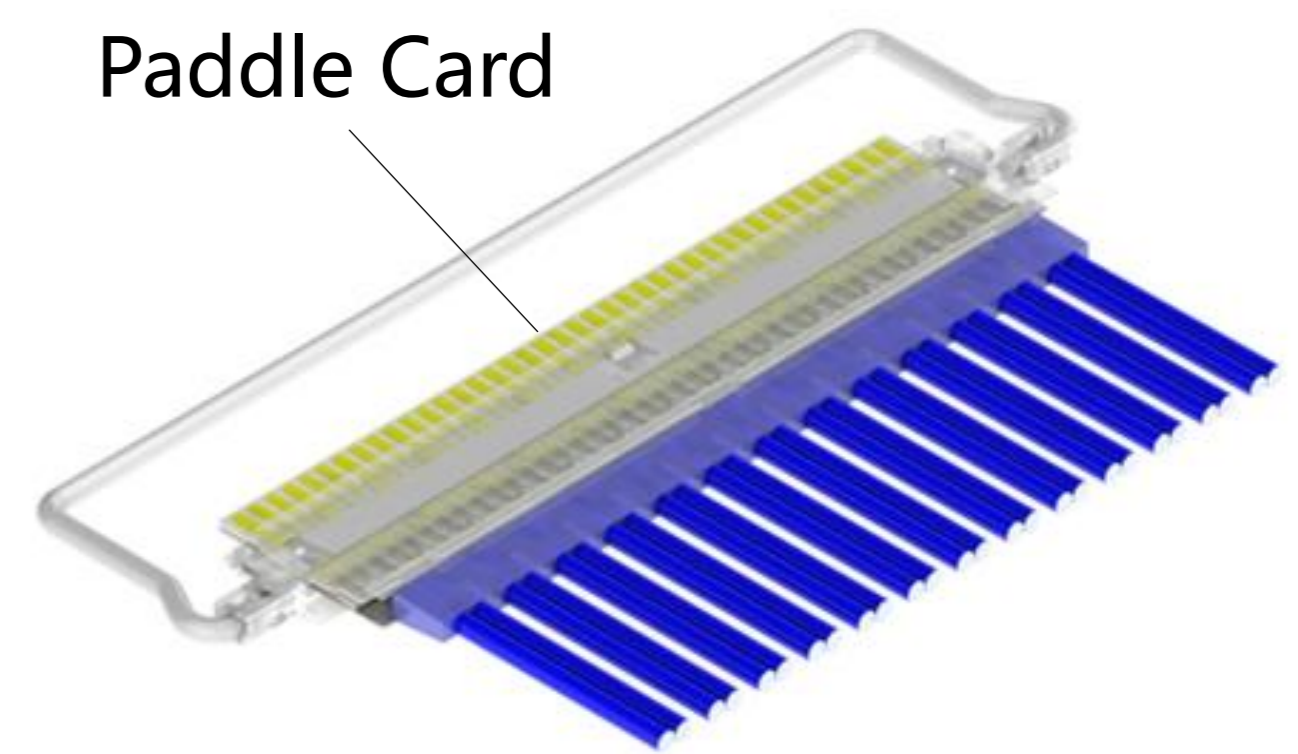
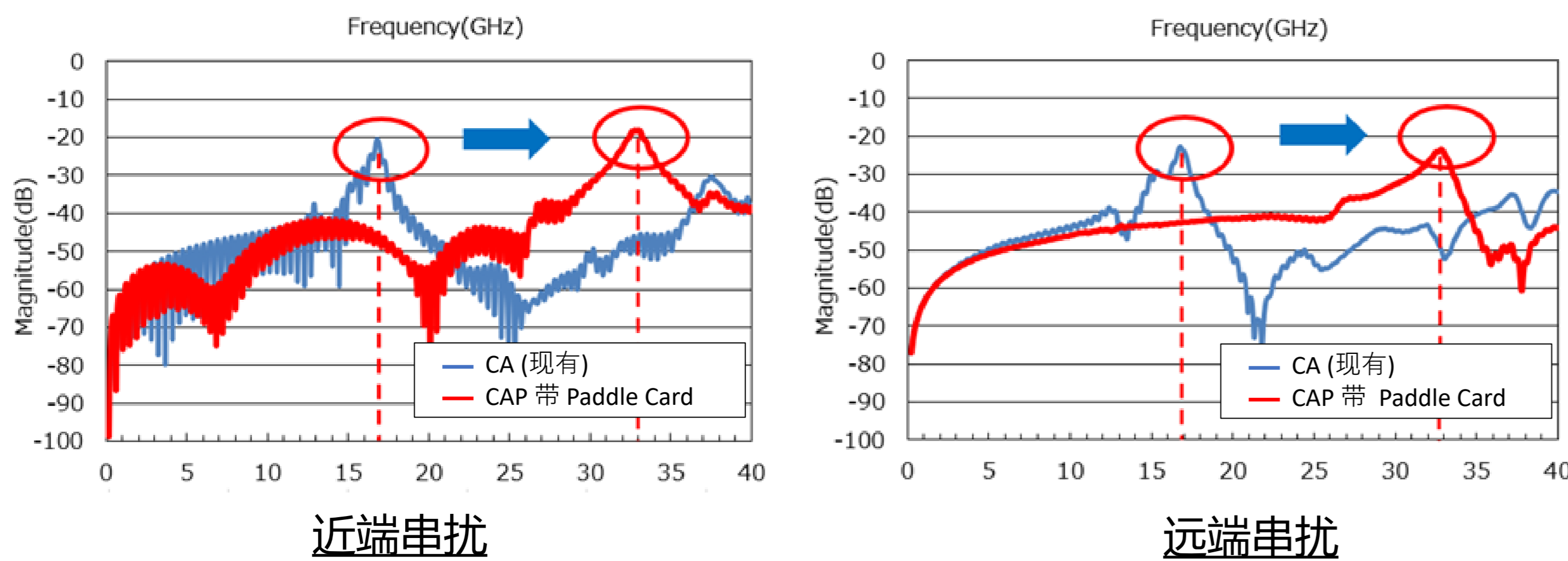
Maximum O.D. (mm)	0.47
Micro-Coaxial For Signal (AWG)	Diff 90 ohm: #38



*CABLINE®-CAP 是线束产品的名称。母座为 CABLINE®-CA (PN 20525-#50E-02)。
*未列出的或超出上述范围的pin数, 请您联系我们咨询。
*PLUG 作为线束产品提供。电缆长度可根据需要定制。

▶ 高速传输 64Gbps/通道 PAM4, 采用Paddle Card技术

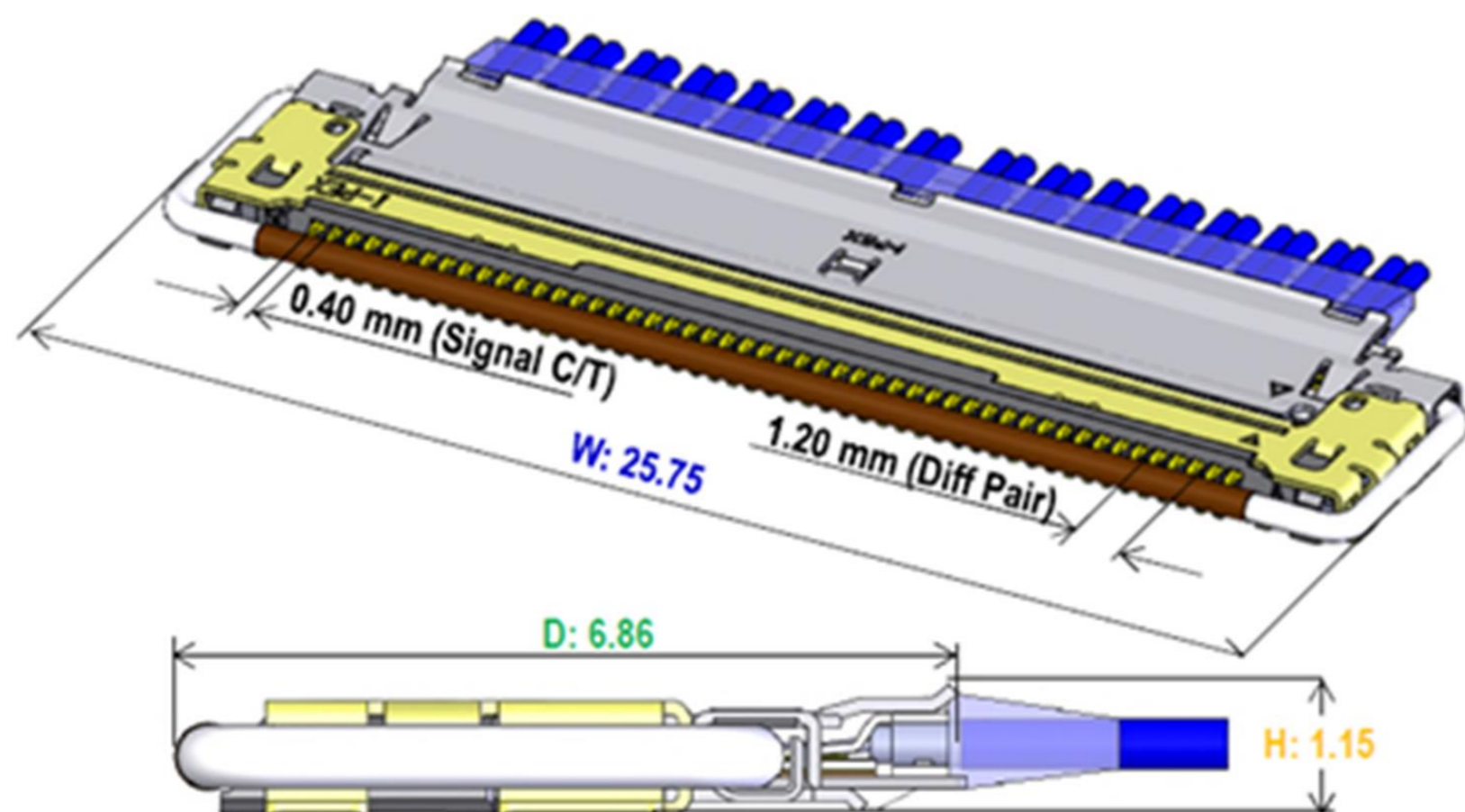
通过在电缆公头部分采用paddle card来提高信号质量。
这使得现有 CABLINE 系列的传输速度更快。



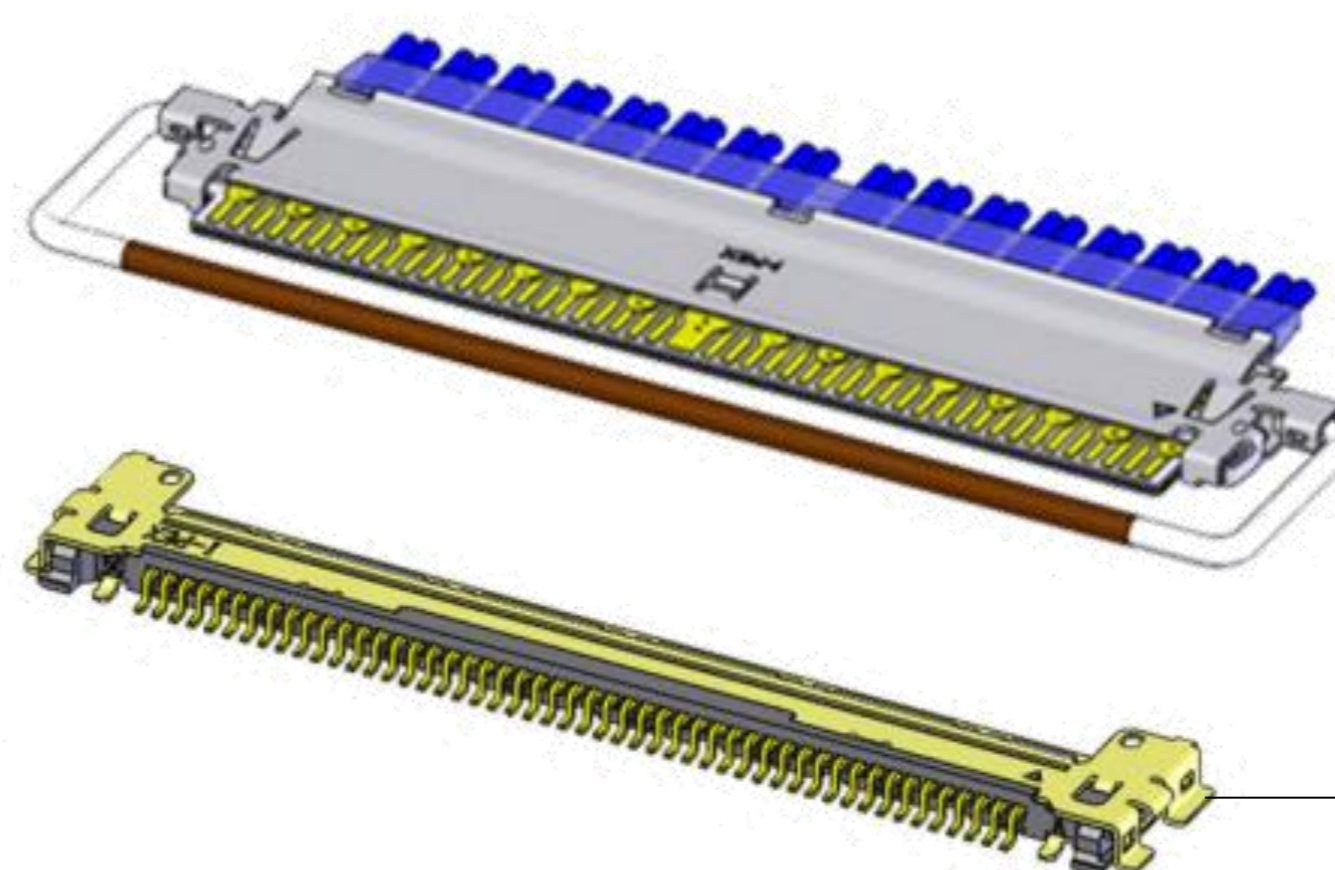
Paddle card技术信息页面

<https://www.i-pex.com/library/white-papers/paddle-card-technology>

▶ 薄款 (低背) 设计 H=1.15mm , 非常适合空间受限的应用



Mating condition



Un-Mating condition

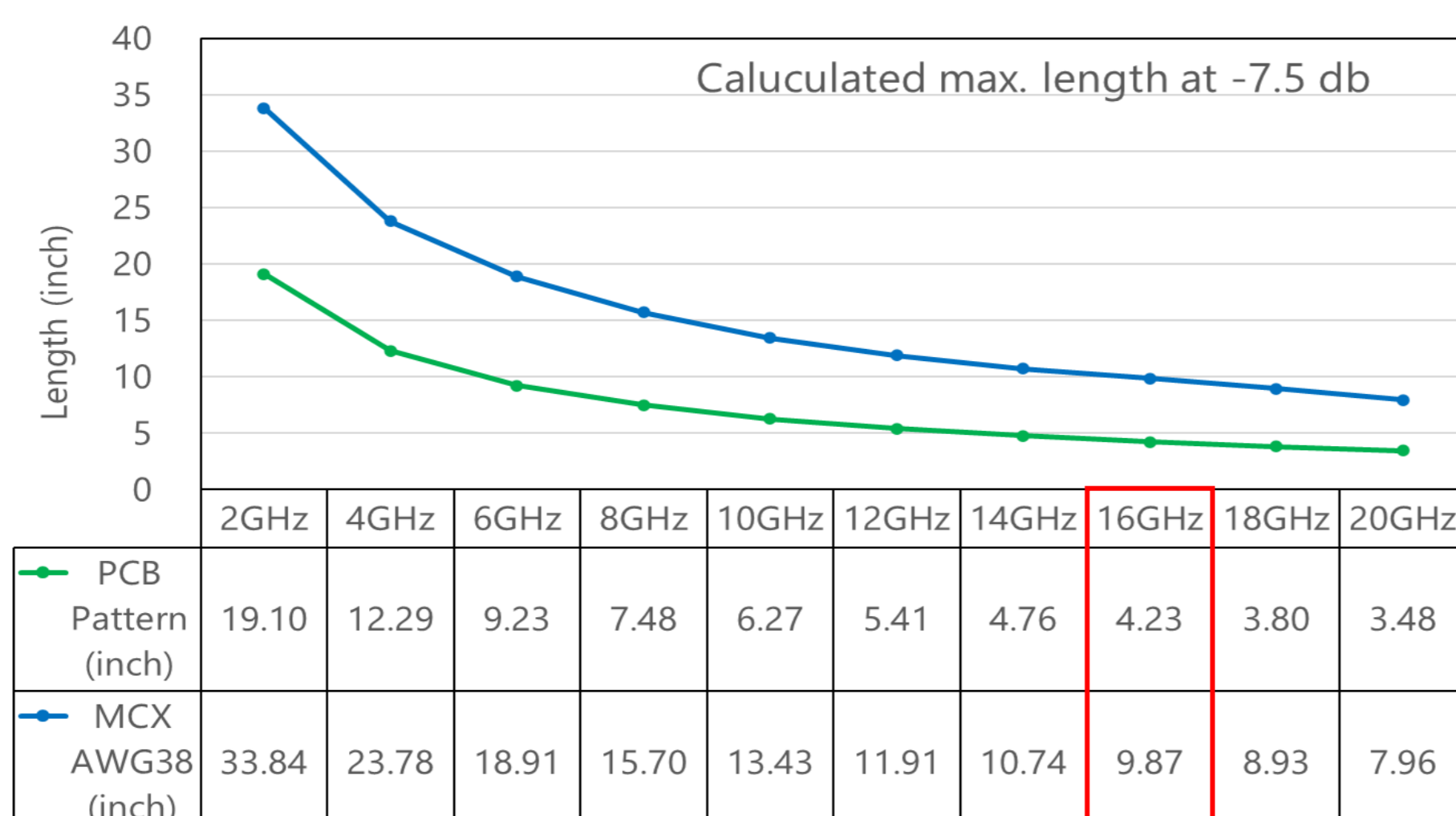
公座:
CABLINE®-CAP线束

母座:
CABLINE®-CA 母座
(PN 20525-#50E-02)

▶ 极细同轴电缆的LEAPWIRE®跳线解决方案



电缆跳线线束在传输方面比PCB更具优势。

低损耗 PCB (Dk3.7) 与 CABLINE-CAP® 线束 (极细同轴电缆) 的传输距离比较
极细同轴电缆在 16GHz 频段的传输距离约为低损耗 PCB (Dk3.7) 传输的 2.3 倍。



Component Parts Details

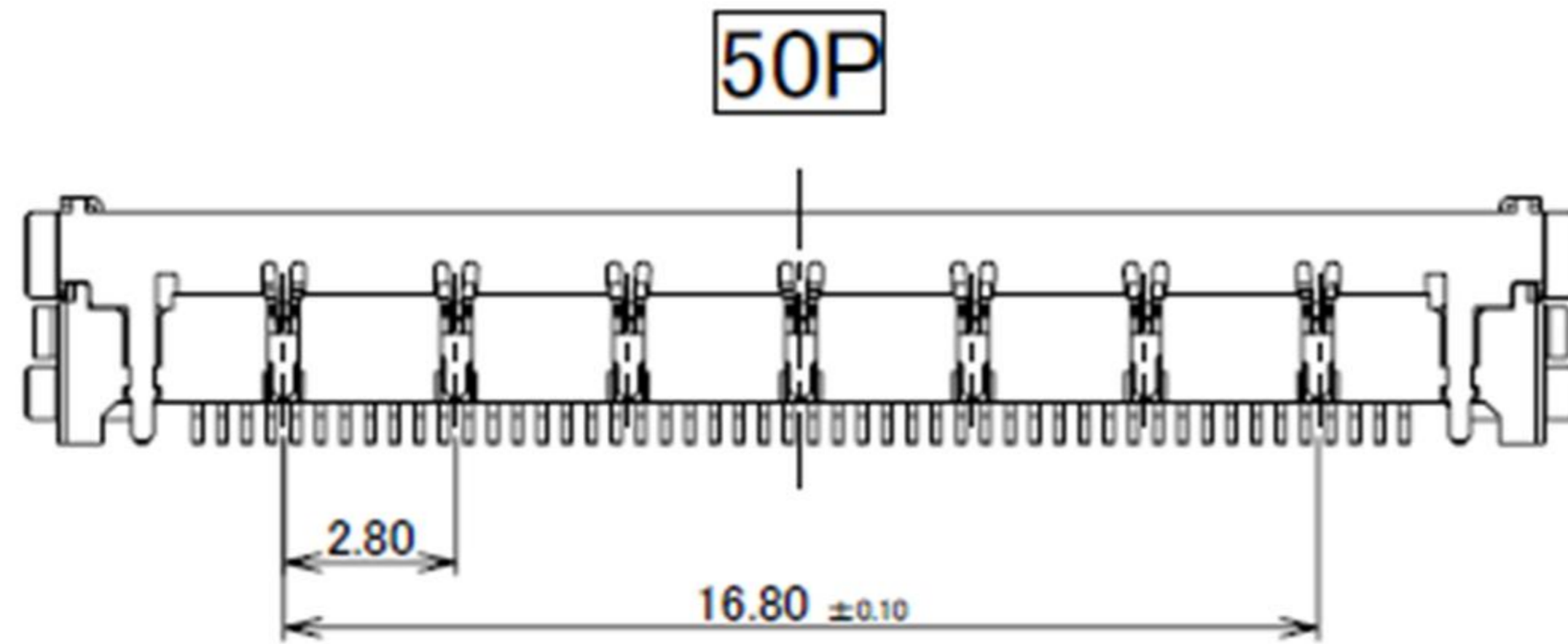
Component Parts

Connector parts	
	
PLUG Harness	RECEPTACLE

Receptacle Assembly

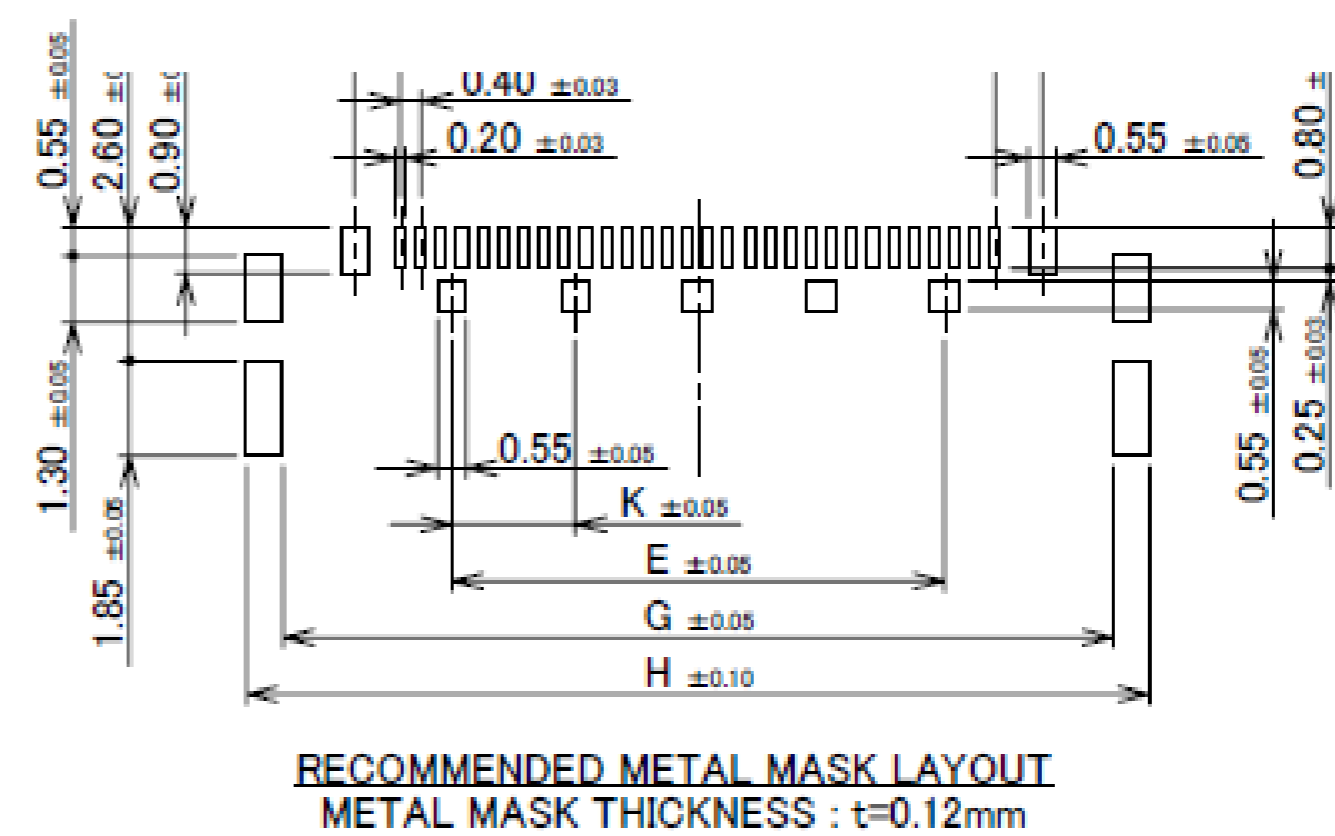
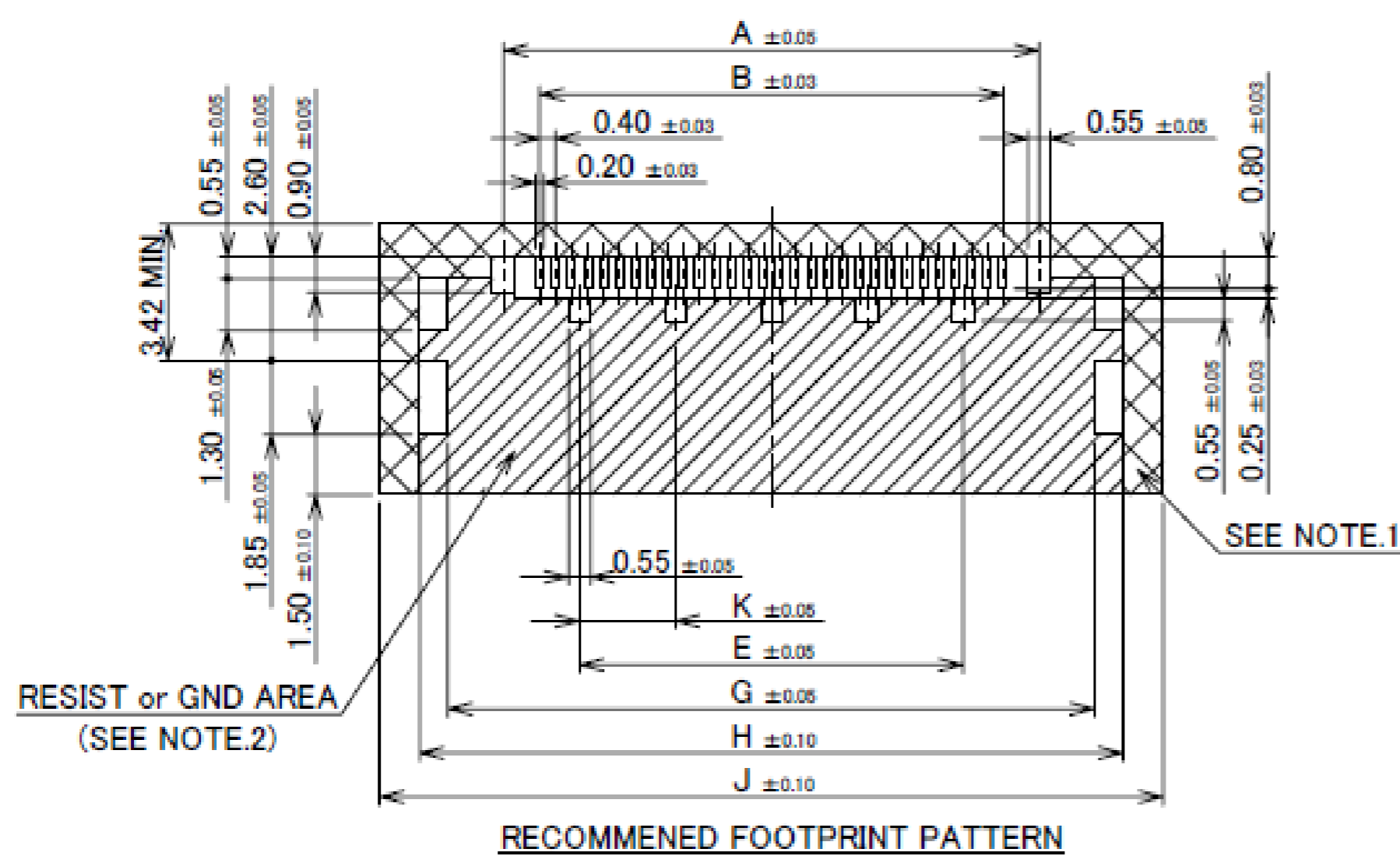
PART NO.
20525-050E-02

BOTTOM VIEW



Rev.27

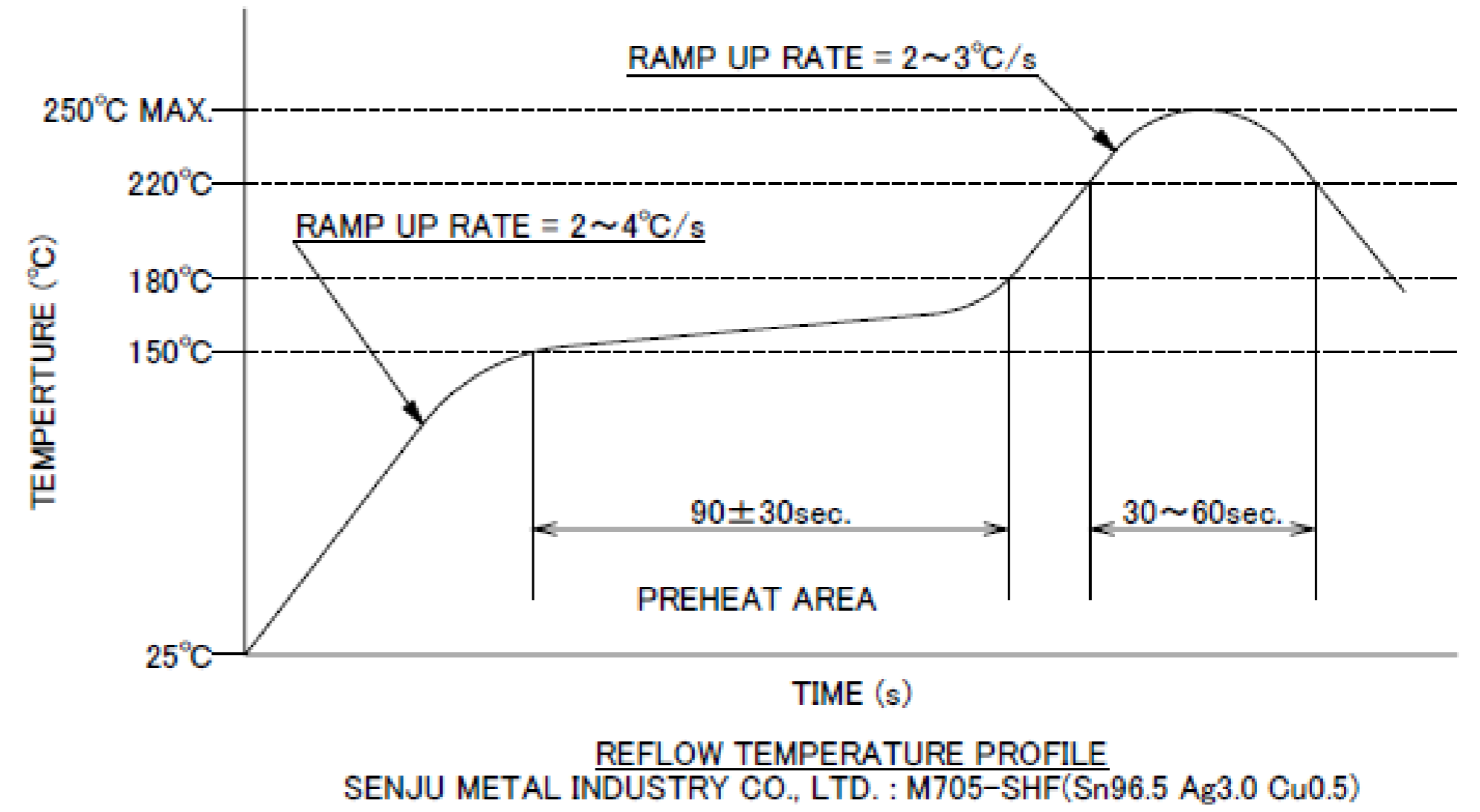
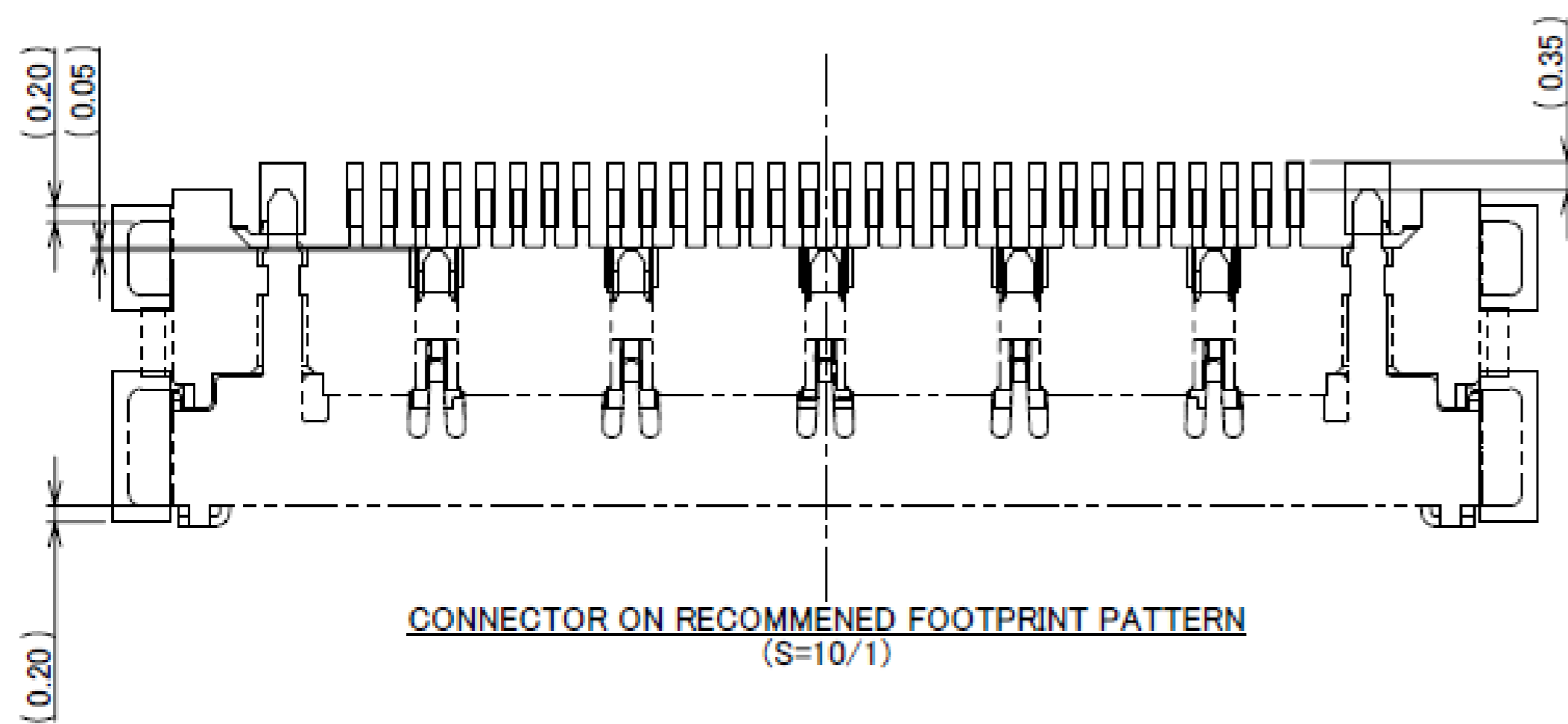
PART NO.	POS.	A	B	E	G	H	J	K
20525-050E-02	50	21.40	19.60	16.80	24.18	25.60	27.60	2.80



- NOTES.
1. IN CASE OF PLUG WITH PULL BAR(20633-##*T-01S), THIS AREA CANNOT MOUNT ANOTHER COMPONENTS.
 2. SOLDER RESIST SHALL BE APPLIED TO PREVENT SHORT CIRCUITS WHEN PLACING SIGNAL LINES ON GROUND AREA.

Rev.27

Receptacle Assembly



Rev.27

ITEMS	SPECIFICATION
APPLICABLE CABLE	Micro Coaxial: AWG#38 Diff 90ohm
RATING AMPERAGE (FOR CONTACT)	0.4A AC/DC (AWG#38)
RATING VOLTAGE	100V AC (PER CONTACT PIN)
OPERATING TEMPERATURE	233~358K (-40°C~85°C)
OPERATING HUMIDITY	85°C MAX. (NON-CONDENDING)
CONTACT RESISTANCE	INITIAL: 270mohm MAX.(AWG#38) / AFTER TEST: Δ40mohm MAX.
GROUND SHELL RESISTANCE	INITIAL : 50mohm MAX. / AFTER TEST : Δ40mohm MAX.
INSULATION RESISTANCE	INITIAL: 1000Mohm MIN. / AFTER TEST: 500Mohm MIN.
DIELECTRIC WITHSTANDING VOLTAGE	AC250V 1min
DURABILITY	30CYCLES
MATING FORCE (INITIAL / AFTER 30 CYCLES)	50P: 18.9N MAX.
UNMATING FORCE (INITIAL / AFTER 30 CYCLES)	50P: 2.5N MIN.
CABLE RETENTION FORCE	50P: 24.5N MIN.
PRODUCT SPECIFICATION	PRS-2832
TEST REPORT	TR-23020
INSTRUCTION MANUAL	HIM-23013

Rev.1

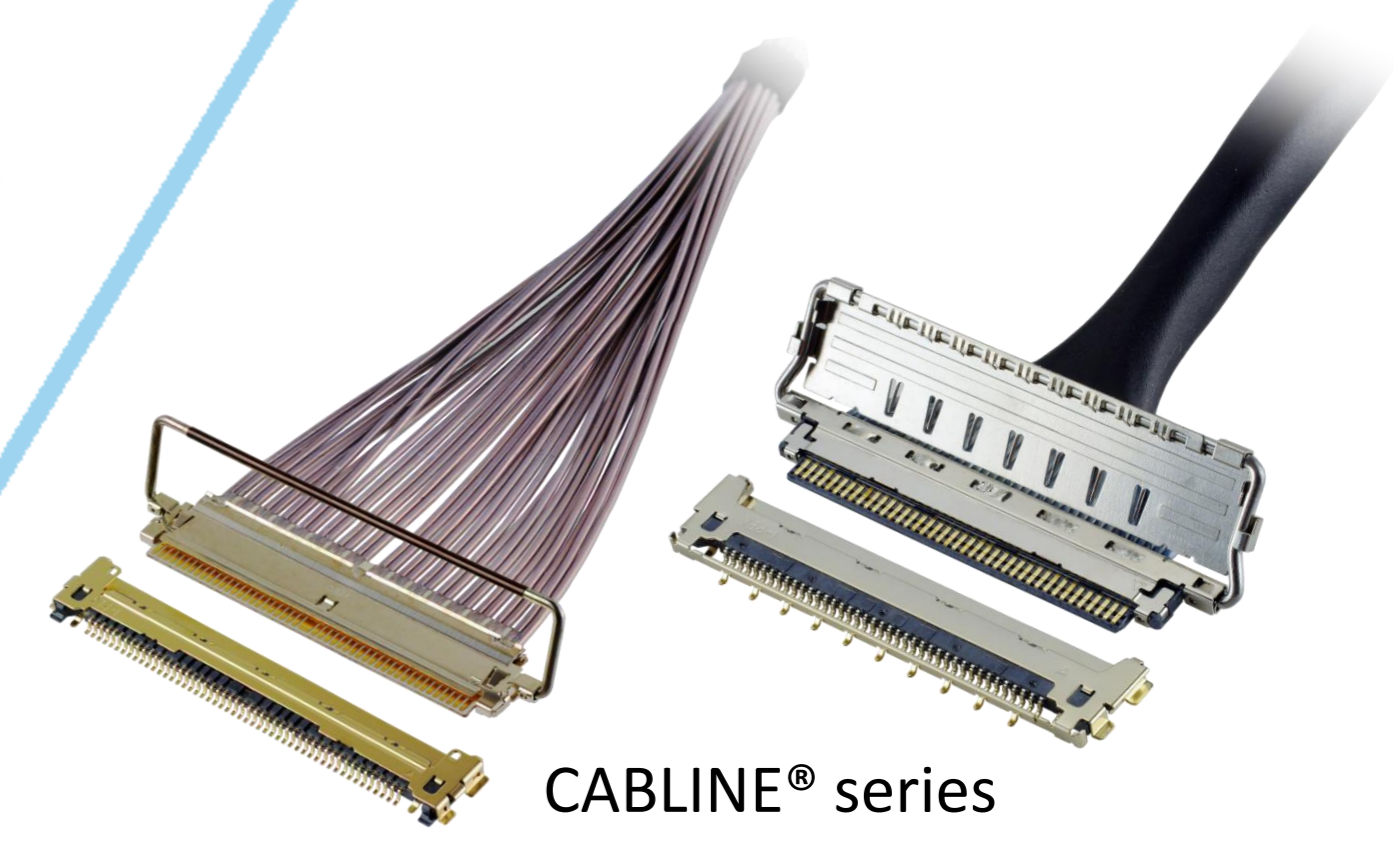
Custom Connectors Available

 RF Connector

MHF® series



Micro-coaxial/Twinax/
Discrete Wire Connector



CABLINE® series



Optical Module

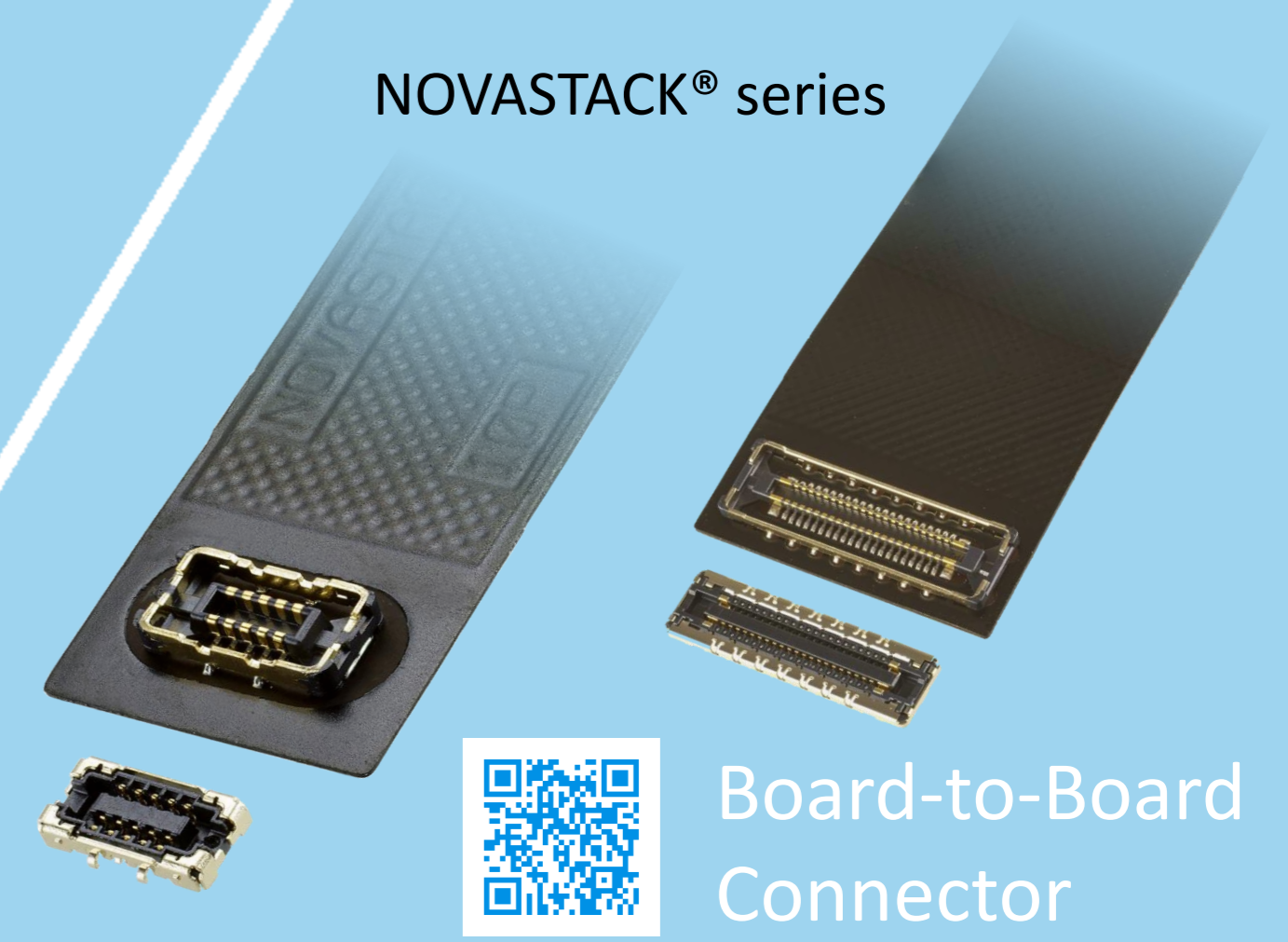
LIGHTPASS® series



NOVASTACK® series



Board-to-Board Connector



Power Connector/
Terminal

AP series

ISH® series



MINIFLEX® series

EVAFLEX® series



FPC FFC Connector



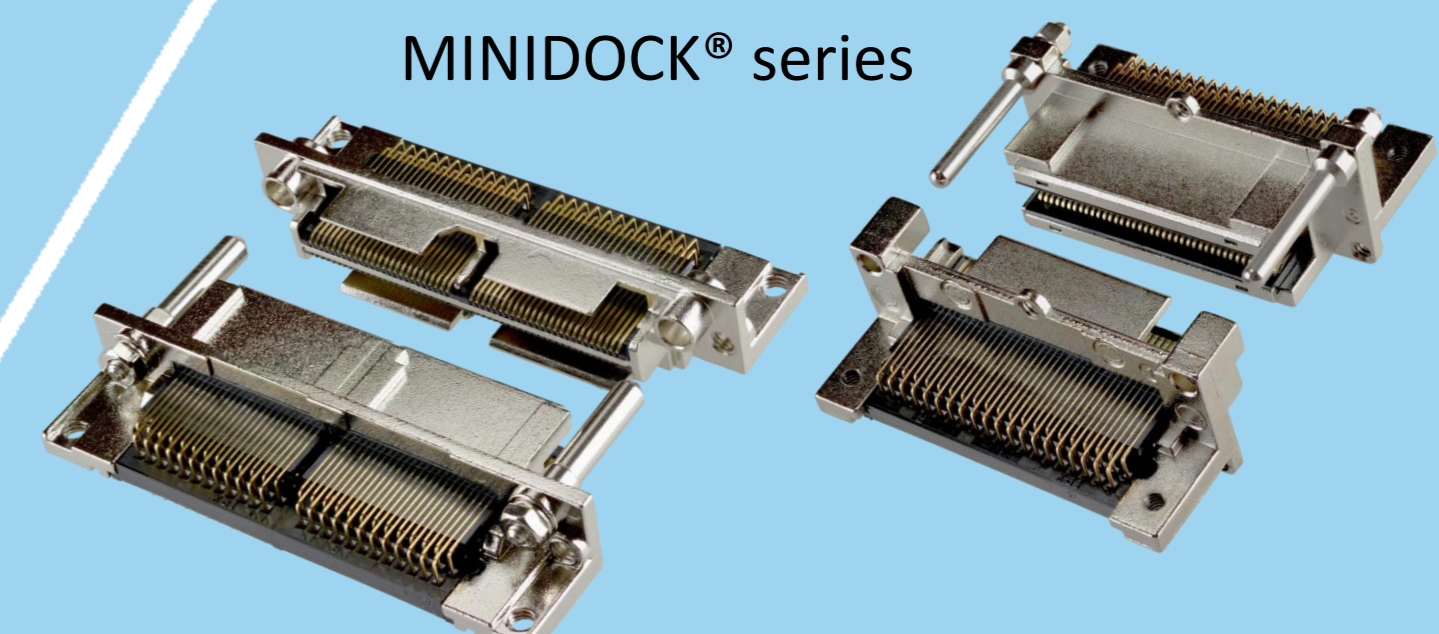
Inquiry



MINIDOCK® series



I/O Connector



I-PEX, MHF, CABLINE, LIGHTPASS, NOVASTACK, ISH, IARPB, MINIFLEX, EVAFLEX, MINIDOCKS and ZenShield are registered trademarks of I-PEX Inc. Please note that the contents in the catalog might be changed without prior notification. I-PEX Inc. assumes no responsibility for any inaccuracies or obligation to update information on these documents. Please be sure to read and understand the latest "Precautions for Use" and "Instruction Manual" before you use our products. We shall not be responsible for any defects, damages or troubles in case you use our products without following the precautions for use. Please feel free to contact our sales representatives when you use our products for any applications that require very high reliability and safety, or that relate to human life (ex. nuclear power control, aerospace, transportation, medical equipment, safety equipment etc.).

Contact your sales representative or more detailed information.

www.i-pex.com



I-PEX

© I-PEX Inc. 2024
All rights reserved