

# AP-TSS10, AP-LT10

大電流(32A)、高温対応(125°C)電源端子兼スペーサー、ラグ端子をSMTとM3(8.00mm)ネジにて簡単接続

## Product Specifications:

Product name	AP-TSS10 / AP-LT10	
Parts number and name	3782-0001 (AP-TSS10)	
	3571-0081-02T (AP-LT10)	
Size (mm)	Height (mm)	8.00 mm (AP-TSS10) 1.00 mm (AP-LT10)
	Width (mm)	Φ7.00 ± 0.10 mm (AP-TSS10) Φ8.20 ± 0.10 mm (AP-LT10)
Mating Type	Vertical (M3 thread screw)	
Plating Type	Sn / Ni plating	
Packing standard	EMBOSS	

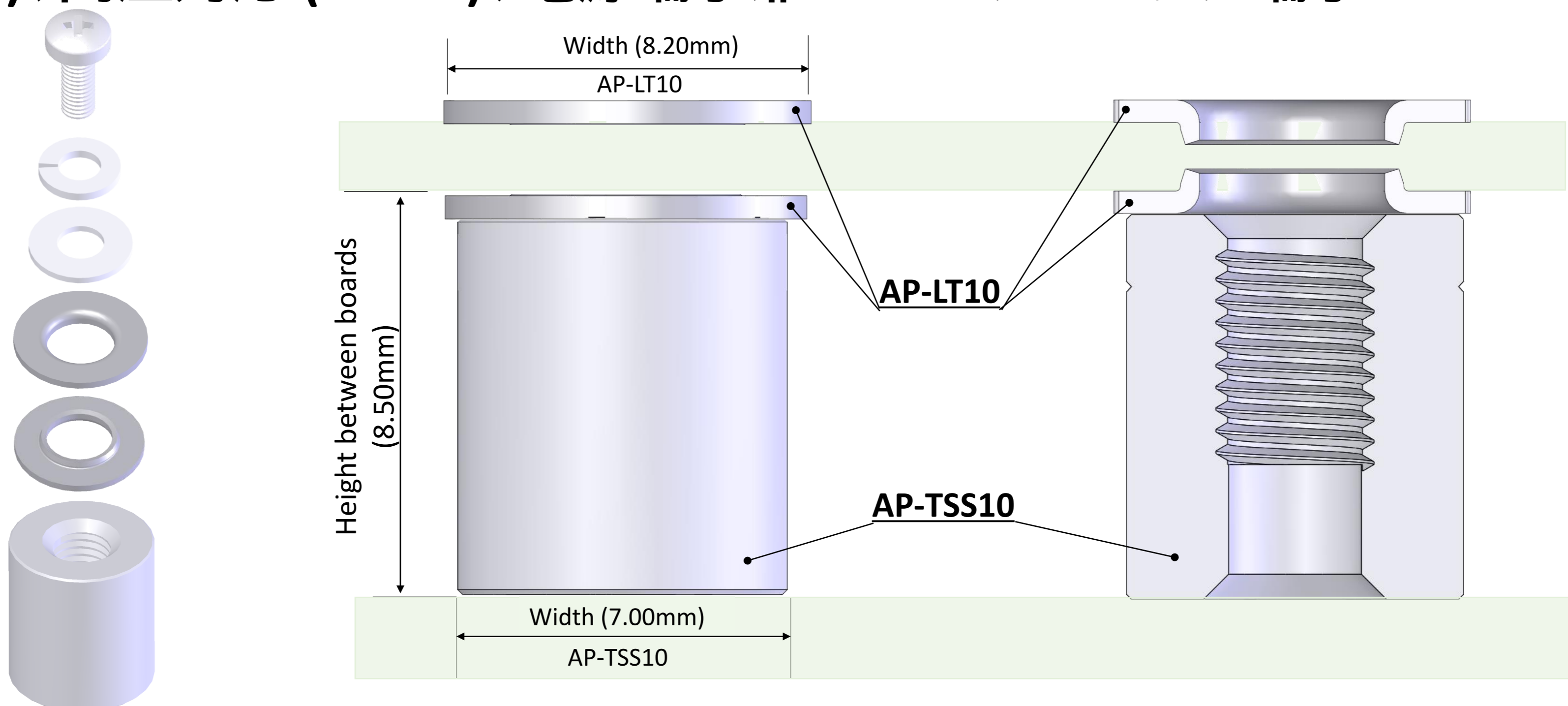
## Product Specifications:

Amperage	32A DC
Operating Temperature	-40 - 125°C
Contact resistance	1.0 mΩ Max.

\*高さ範囲、サイズ、電流アンペア数についてはお問い合わせください。



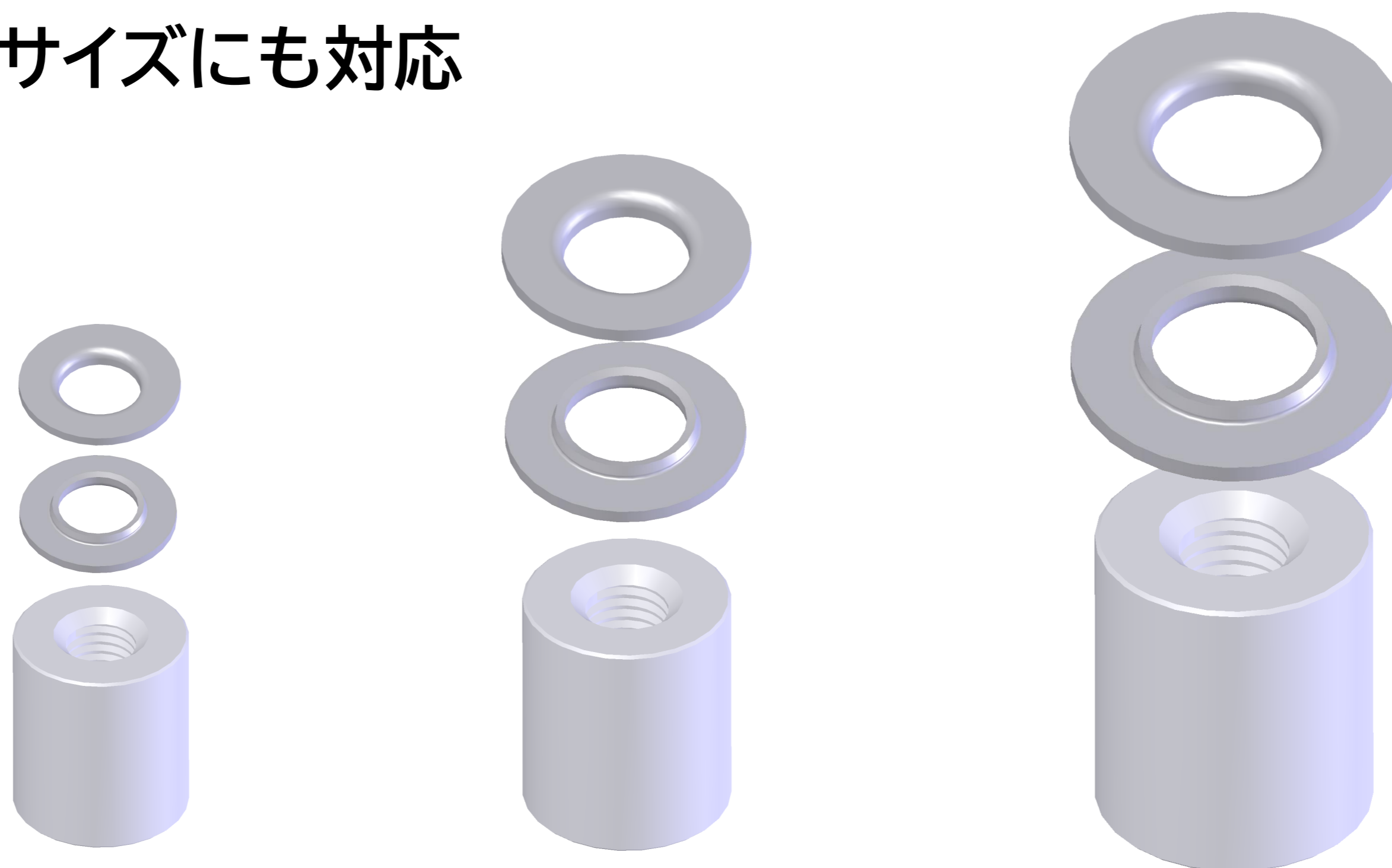
## ▶ 大電流 (32A)、高温対応 (125°C)、電源端子兼スペーサーとラグ端子



## ▶ コネクタの軽量化により、逆さ実装に対応し、柔軟なSMT設計に貢献

項目	材料構成	1回目リフロー実装	2回目逆さ実装
黄銅材	単位: mg 母材 黄銅: 比重8.5 下地メッキ ニッケル メッキ 錫		
アルミ材	母材 アルミ: 比重2.8 下地メッキ ニッケル メッキ 錫 比重約 67%Down		

## ▶ ご要望に応じて特別サイズにも対応

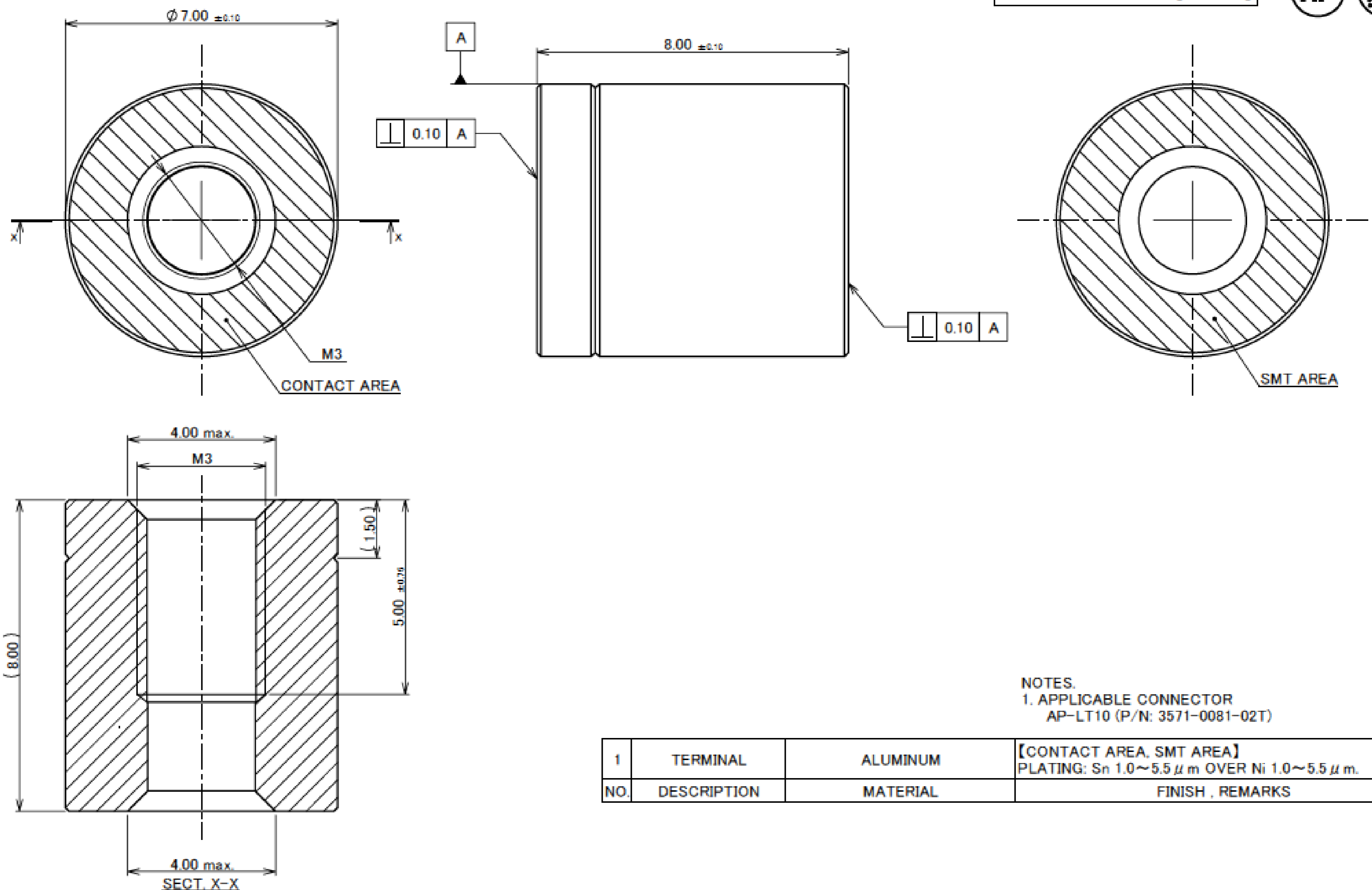
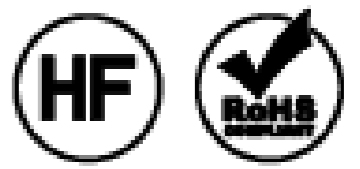


# Component Parts Details

## AP-TSS10

Recommended P/N	3782-0001
PART No.	3782-0001

IATF 16949 Certified [Planned]

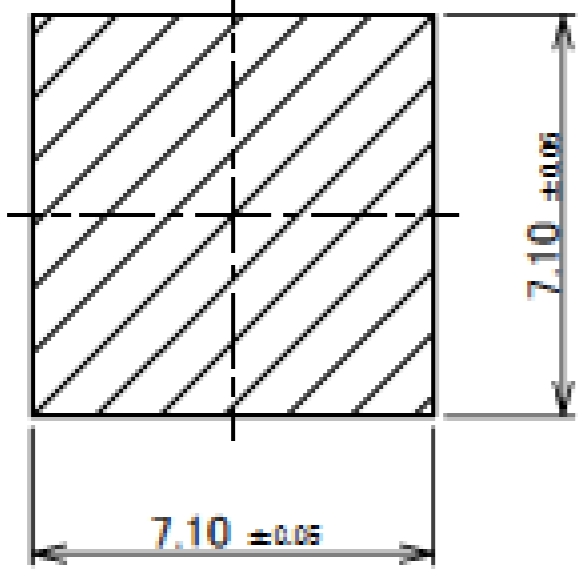


NOTES.  
1. APPLICABLE CONNECTOR  
AP-LT10 (P/N: 3571-0081-02T)

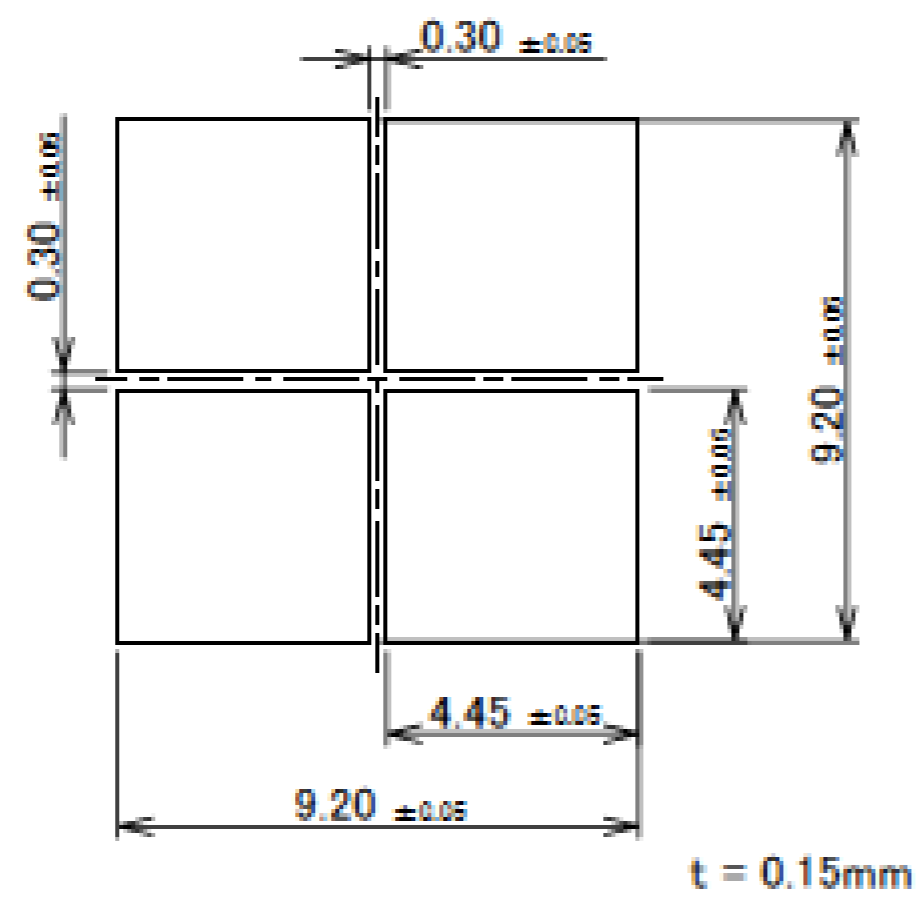
NO.	DESCRIPTION	MATERIAL	FINISH , REMARKS
1	TERMINAL	ALUMINUM	【CONTACT AREA, SMT AREA】 PLATING: Sn 1.0~5.5 $\mu$ m OVER Ni 1.0~5.5 $\mu$ m.

Rev.1

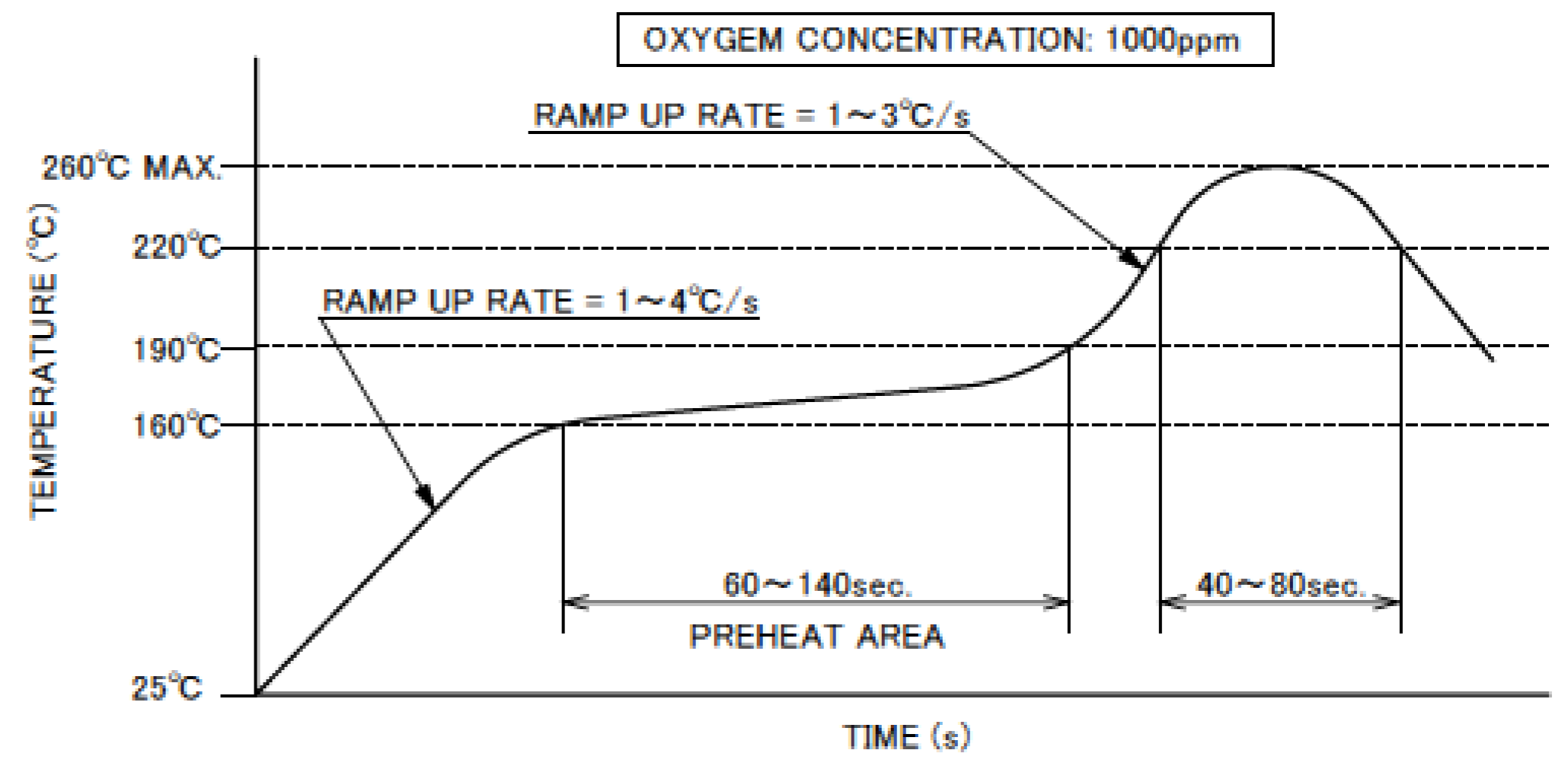
# AP-TSS10



RECOMMENDED PCB LAYOUT



RECOMMENDED METAL MASK LAYOUT



REFLOW TEMPERATURE PROFILE  
 ARAKAWA CHEMICAL INDUSTRY CO., LTD. : PSP-V (Sn96.5 Ag3.0 Cu0.5)

Rev.1

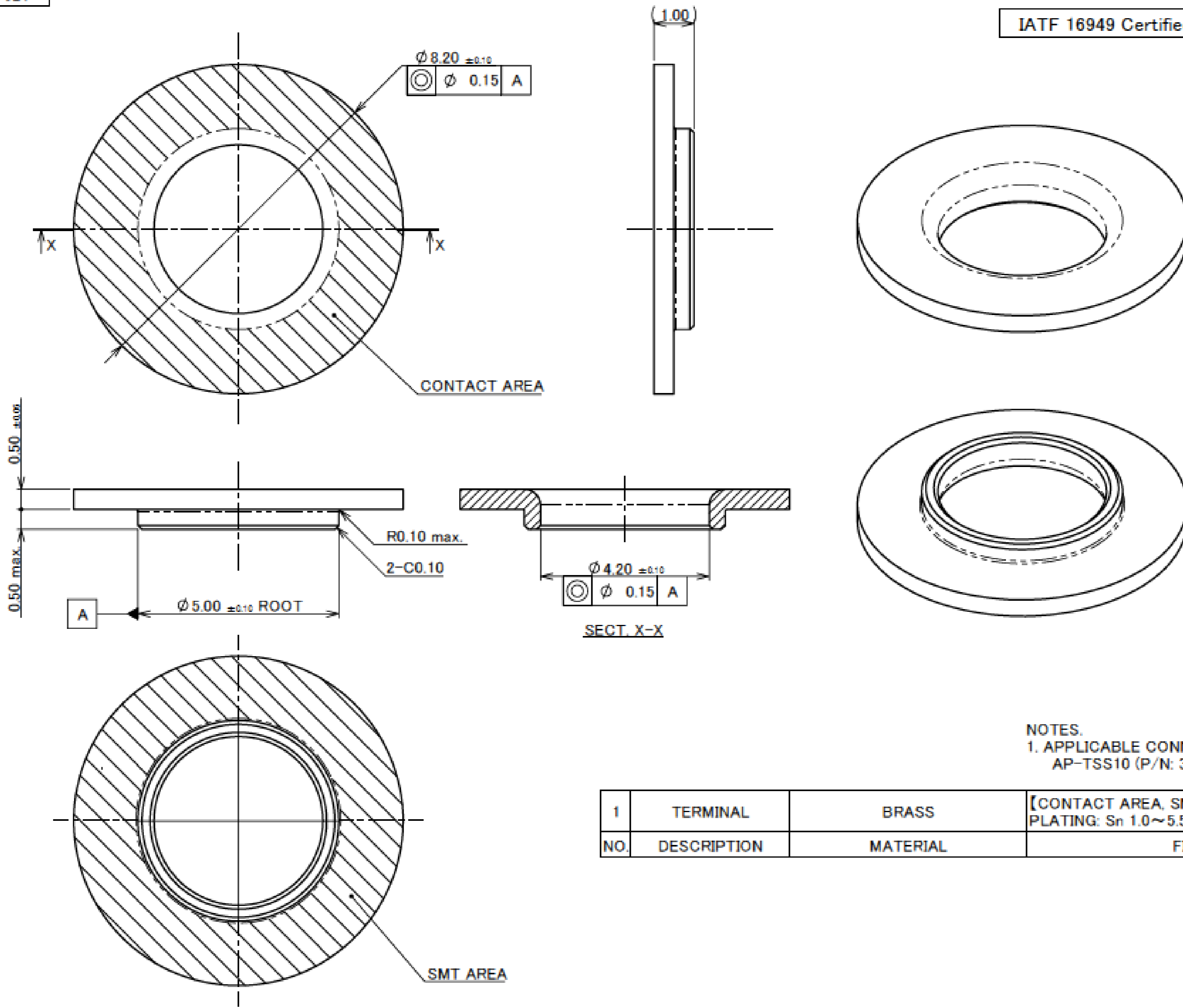
ITEMS	SPECIFICATION
RATING VOLTAGE	32A DC
OPERATING TEMPERATURE	233~398K(-40°C~+125°C)
OPERATING HUMIDITY	85% MAX.(NON-CONDENSING)
CONTACT RESISTANCE	INITIAL : 1.0mohm MAX. / AFTER TEST : 1.0mohm MAX.
SCREW TIGHTENING TORQUE	0.75~0.93 Nm(REFERENCE)
PRODUCT SPECIFICATION	PRS-2845
TEST REPORT	TR-23036
PACKING STANDARD	PST-23063
APPEARANCE CRITERIA No.	QLS-A***

Rev.1

# AP-LT10

Recommended P/N	3571-0081-02T
PART No.	
3571-0081-02T	

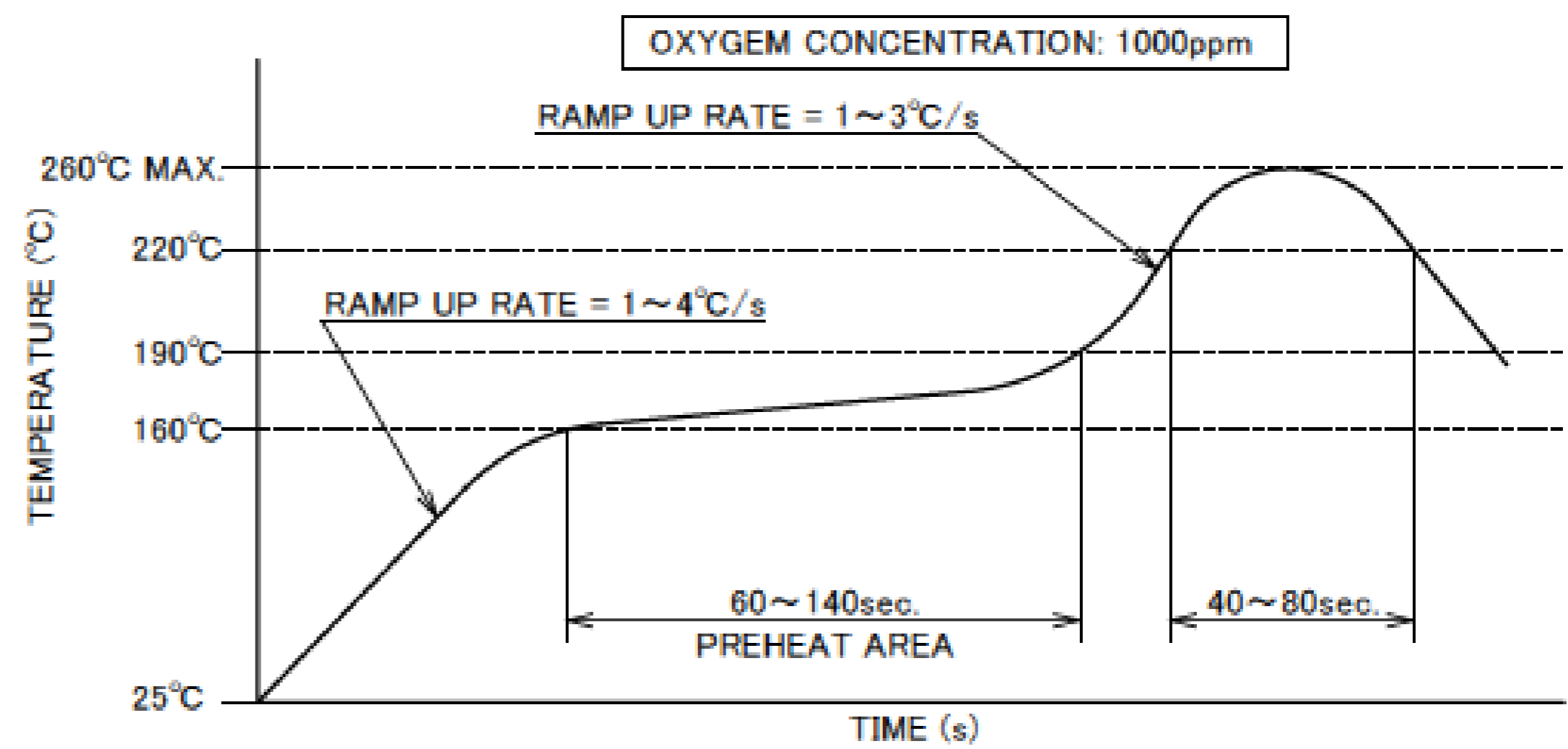
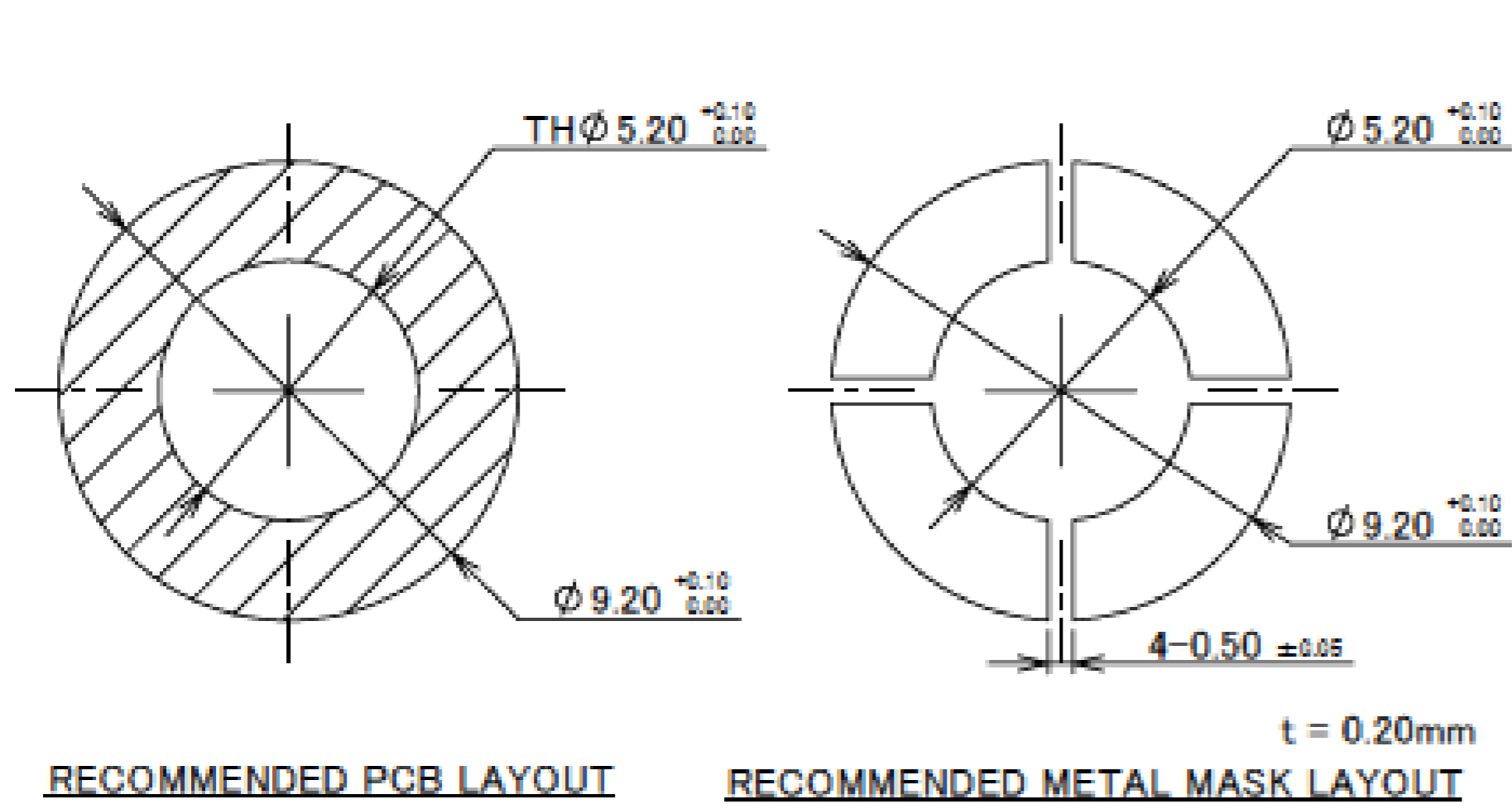
IATF 16949 Certified



NOTES.  
1. APPLICABLE CONNECTOR  
AP-TSS10 (P/N: 3782-0001)

NO.	DESCRIPTION	MATERIAL	FINISH, REMARKS
1	TERMINAL	BRASS	【CONTACT AREA, SMT AREA】 PLATING: Sn 1.0~5.5 $\mu$ m OVER Ni 1.0~5.5 $\mu$ m

Rev.0



REFLOW TEMPERATURE PROFILE  
ARAKAWA CHEMICAL INDUSTRY CO., LTD. : PSP-V (Sn96.5 Ag3.0 Cu0.5)

Rev.0

# AP-LT10

ITEMS	SPECIFICATION
RATING VOLTAGE	32A DC
OPERATING TEMPERATURE	233~398K(-40°C~+125°C)
OPERATING HUMIDITY	85% MAX.(NON-CONDENSING)
CONTACT RESISTANCE	INITIAL : 1.0mohm MAX. / AFTER TEST : 1.0mohm MAX.
SCREW TIGHTENING TORQUE	0.75~0.93 Nm(REFERENCE)
PRODUCT SPECIFICATION	PRS-2845
TEST REPORT	TR-23036
PACKING STANDARD	PST-23064
APPEARANCE CRITERIA No.	QLS-A***


Rev.0

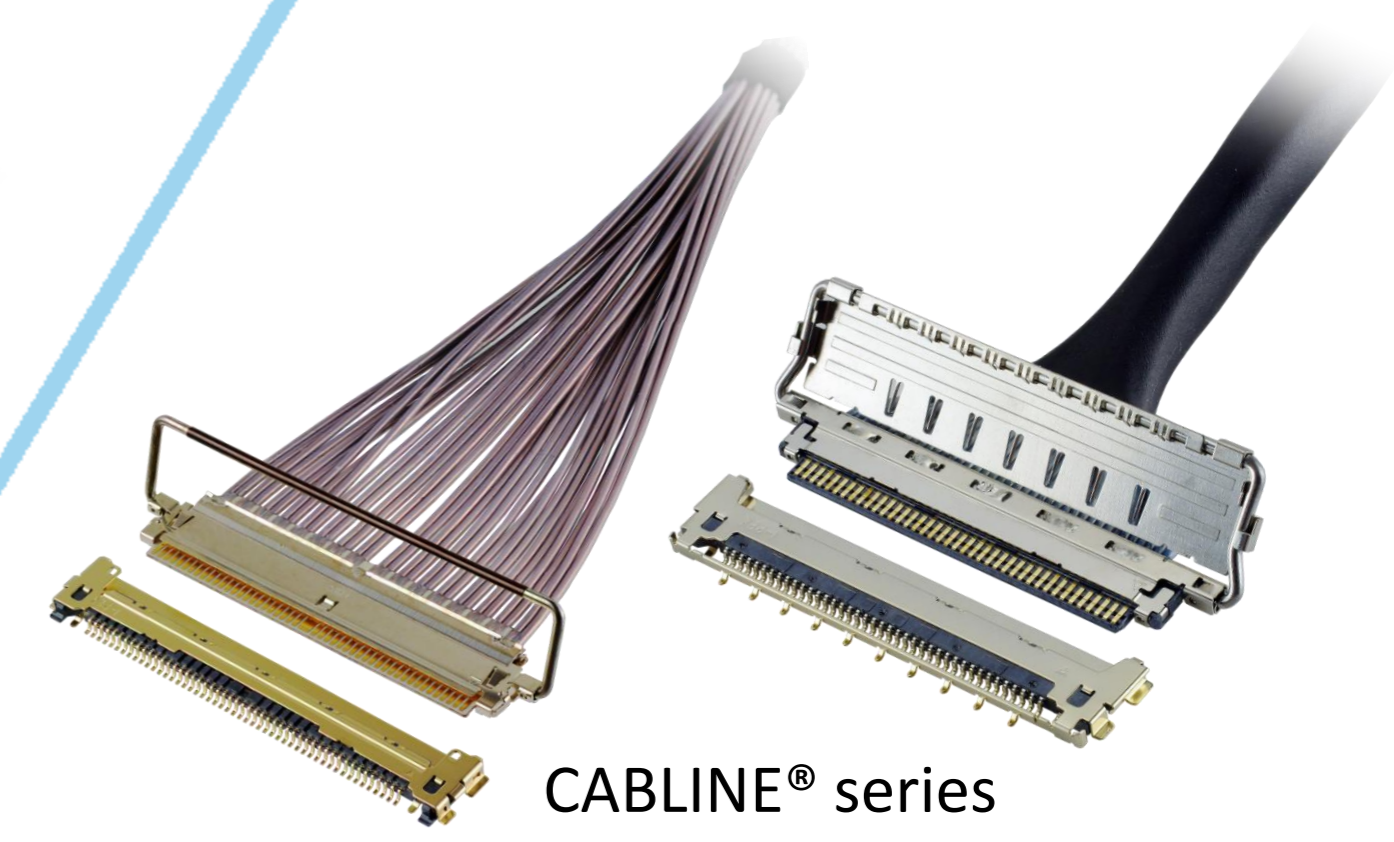
# Custom Connectors Available

 RF Connector

MHF® series



 CABLINE® series  
Micro-coaxial/Twinax/  
Discrete Wire Connector



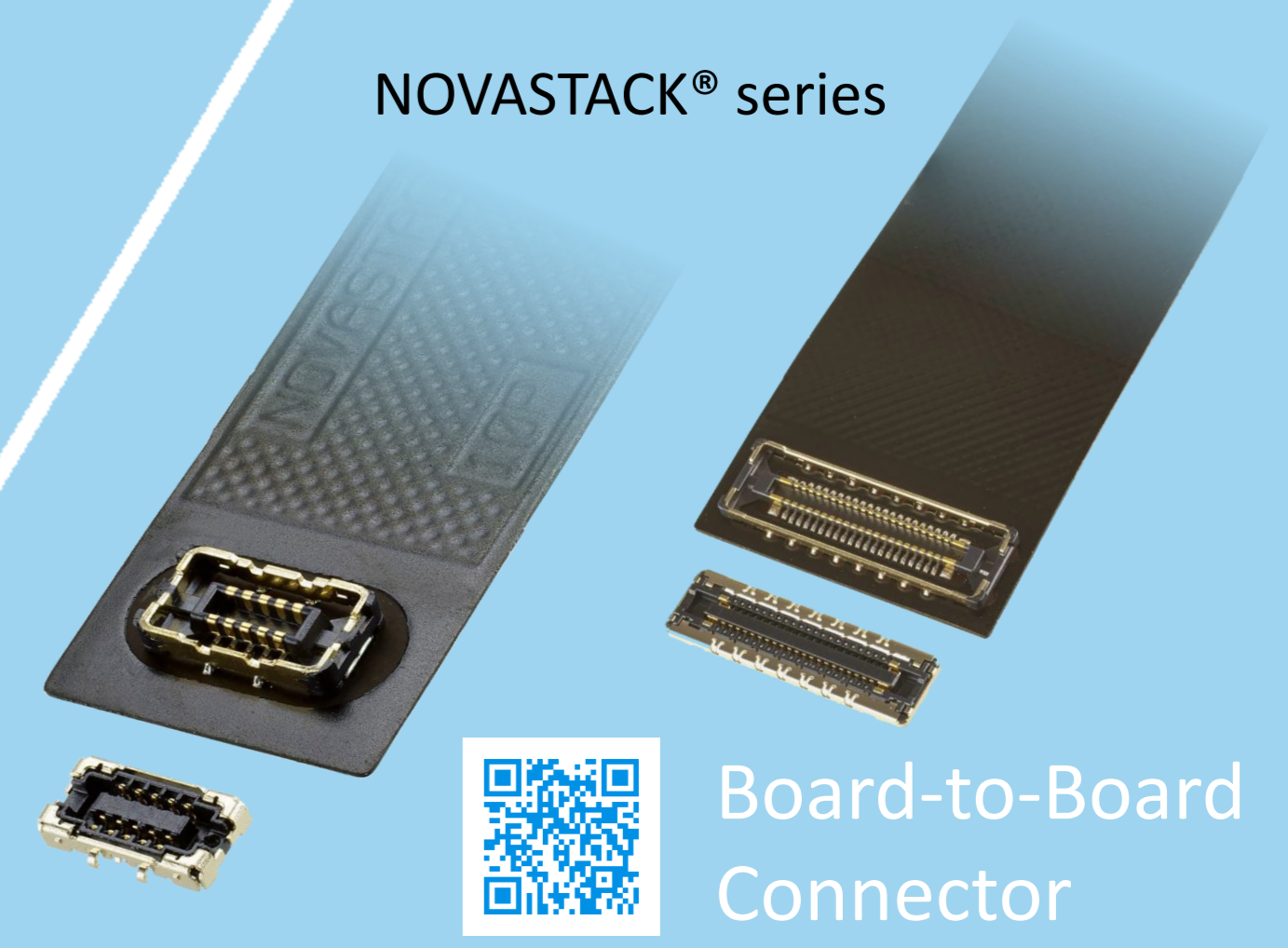
 Optical Module

LIGHTPASS® series



NOVASTACK® series

 Board-to-Board Connector



 Power Connector/  
Terminal

AP series

ISH® series



MINIFLEX® series

EVAFLEX® series



 FPC FFC Connector

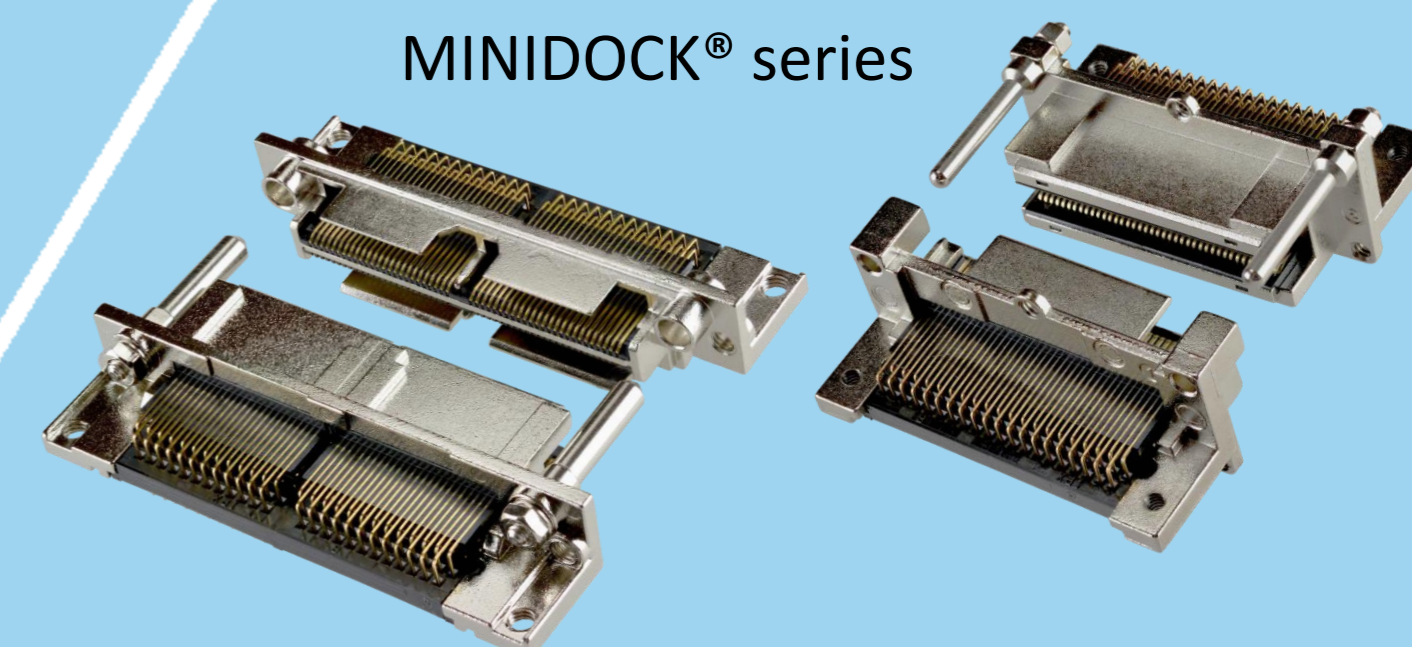


Inquiry



MINIDOCK® series

 I/O Connector



I-PEX, MHF, CABLINE, LIGHTPASS, NOVASTACK, ISH, IARPB, MINIFLEX, EVAFLEX, MINIDOCKS and ZenShield are registered trademarks of I-PEX Inc. Please note that the contents in the catalog might be changed without prior notification. I-PEX Inc. assumes no responsibility for any inaccuracies or obligation to update information on these documents. Please be sure to read and understand the latest "Precautions for Use" and "Instruction Manual" before you use our products. We shall not be responsible for any defects, damages or troubles in case you use our products without following the precautions for use. Please feel free to contact our sales representatives when you use our products for any applications that require very high reliability and safety, or that relate to human life (ex. nuclear power control, aerospace, transportation, medical equipment, safety equipment etc.).

Contact your sales representative or more detailed information.

[www.i-pex.com](http://www.i-pex.com)



# I-PEX

© I-PEX Inc. 2024  
All rights reserved