

AP-10

大功率電源端子，有助於電力電子設備的小型化，高度差可訂製。

Product Specifications:

Mating type		Vertical
Wiping Length (mm)		2.55 (Plug: 7.5) 4.80 (Plug 14.5)
Size (mm)	Height (mm)	13.6 ~ 16.1 (Plug: 7.5) 16.1 ~ 23.1 (Plug: 14.5)
	Width (mm)	7.6 (Rece) 3.4 (Plug: 7.5) 5.2 (Plug: 14.5)
Depth		3.4 +/- 0.2 (Rece)
		6.0 +/- 0.1 (Plug: 7.5) 7.6 +/- 0.1 (Plug: 14.5)

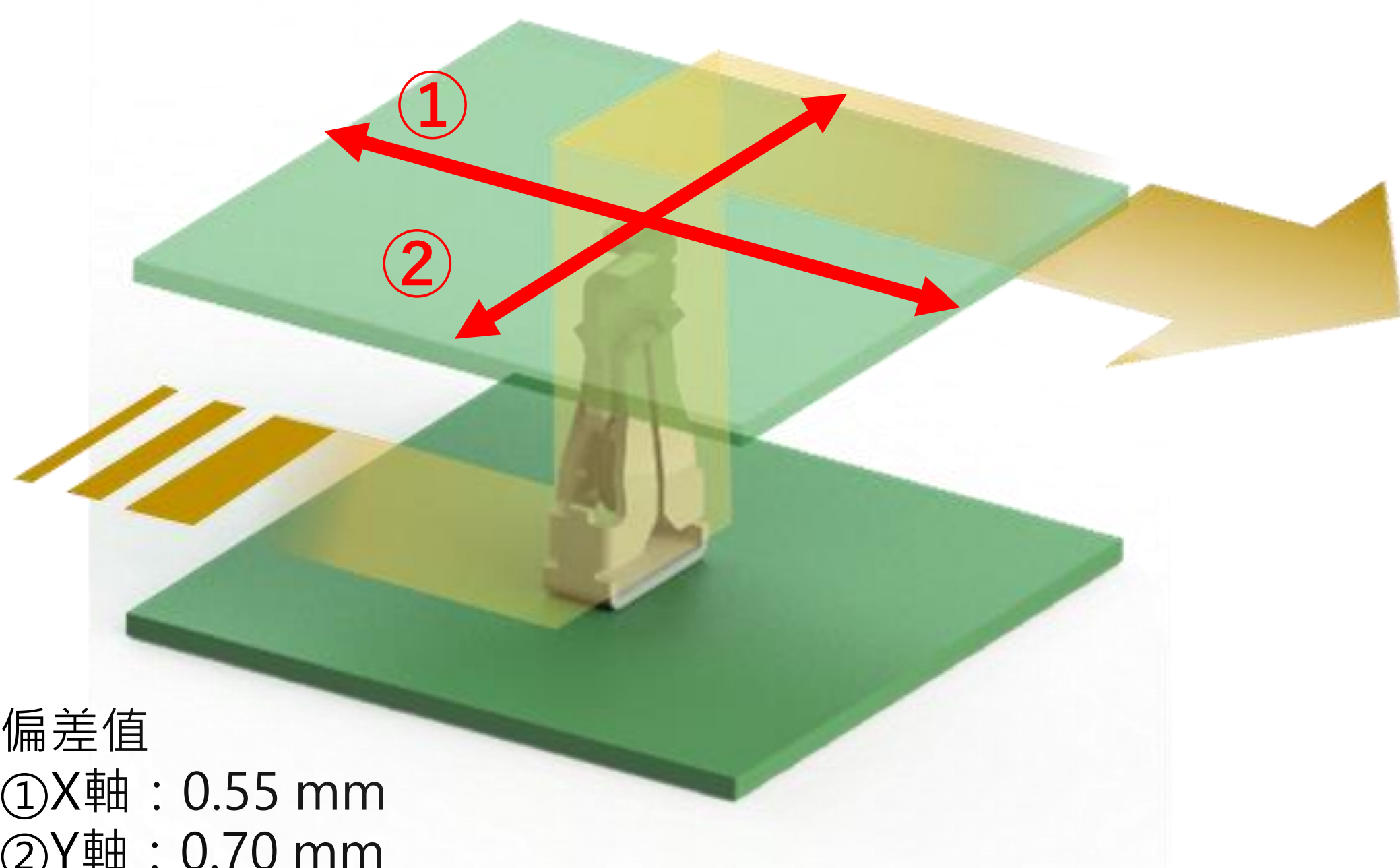
Product Specifications:

Amperage	16A DC
Operating Temperature	-40 - 105°C
Mating force	15N Max.
Contact resistance	1.0 mΩ Max.

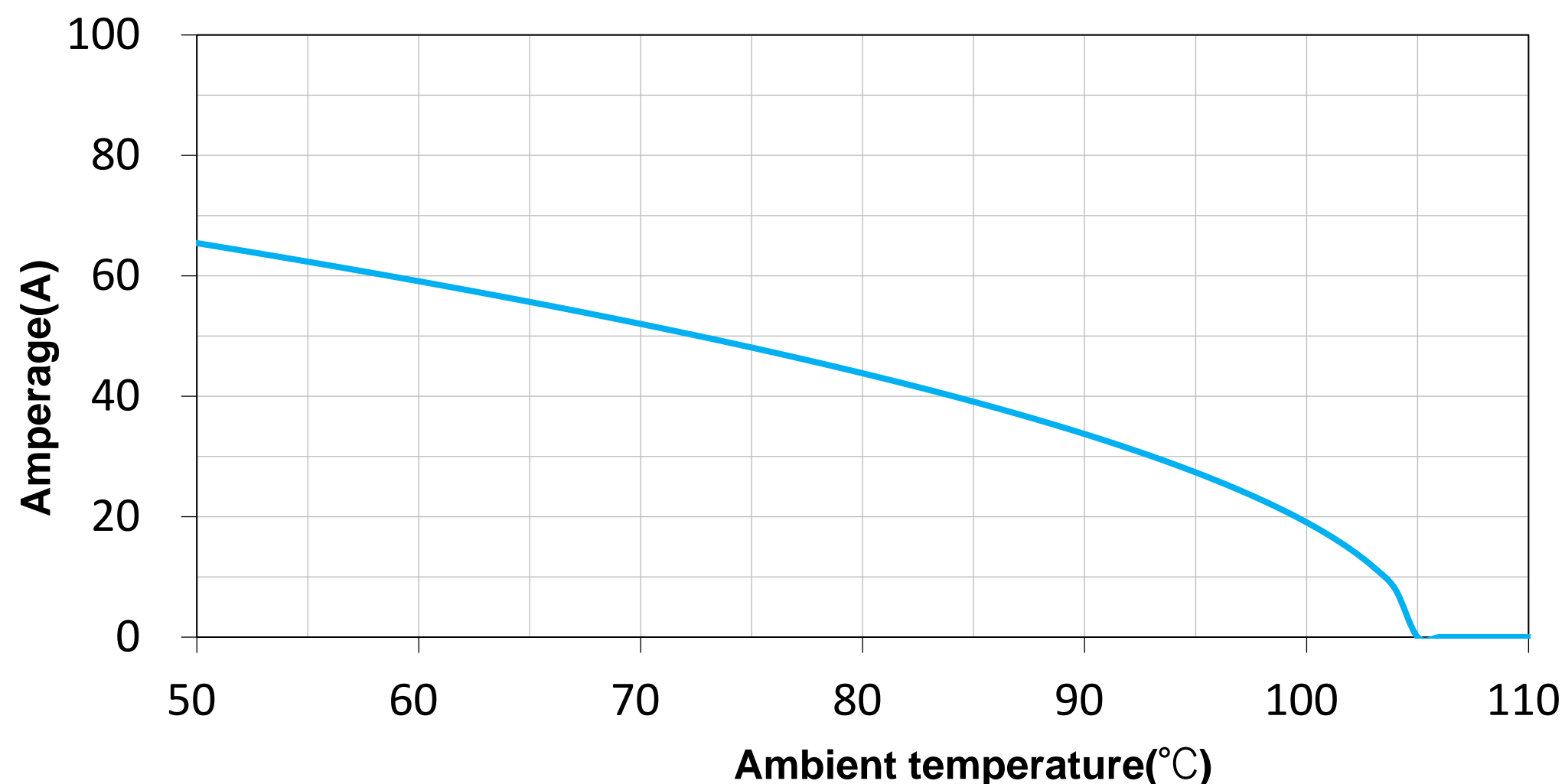


*若有規格外 Pin 數需求,請與當地負責業務窗口聯繫。

▶ 大電流和耐高溫，板對板電源端子



AP-10 allowable current curve

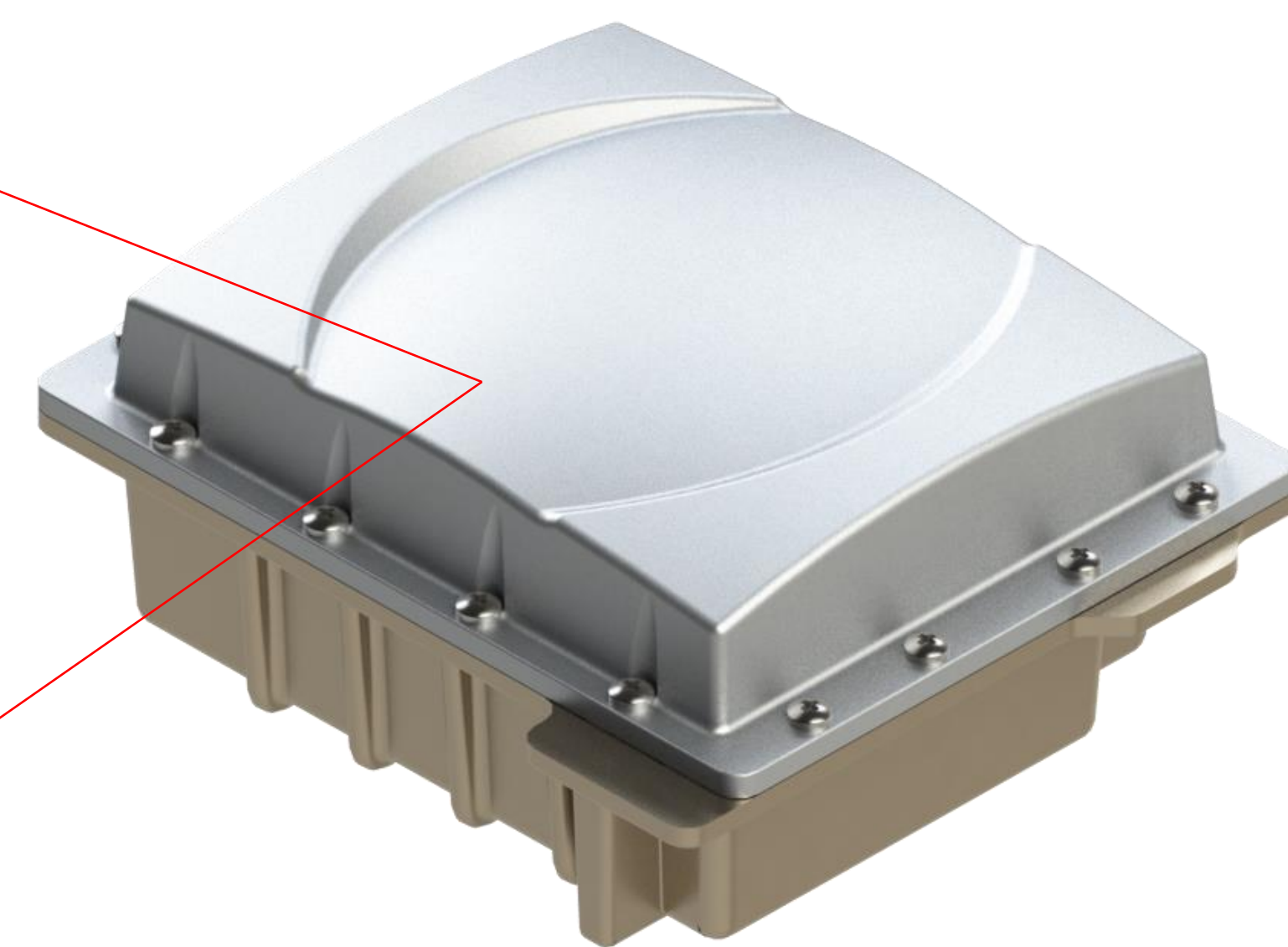


*上述結果為敝司規定的測試條件下的實測結果
*取決於具體的使用環境，更多詳情歡迎垂詢

▶ 通過連接器的小型化實現PCB上的節省空間的設計

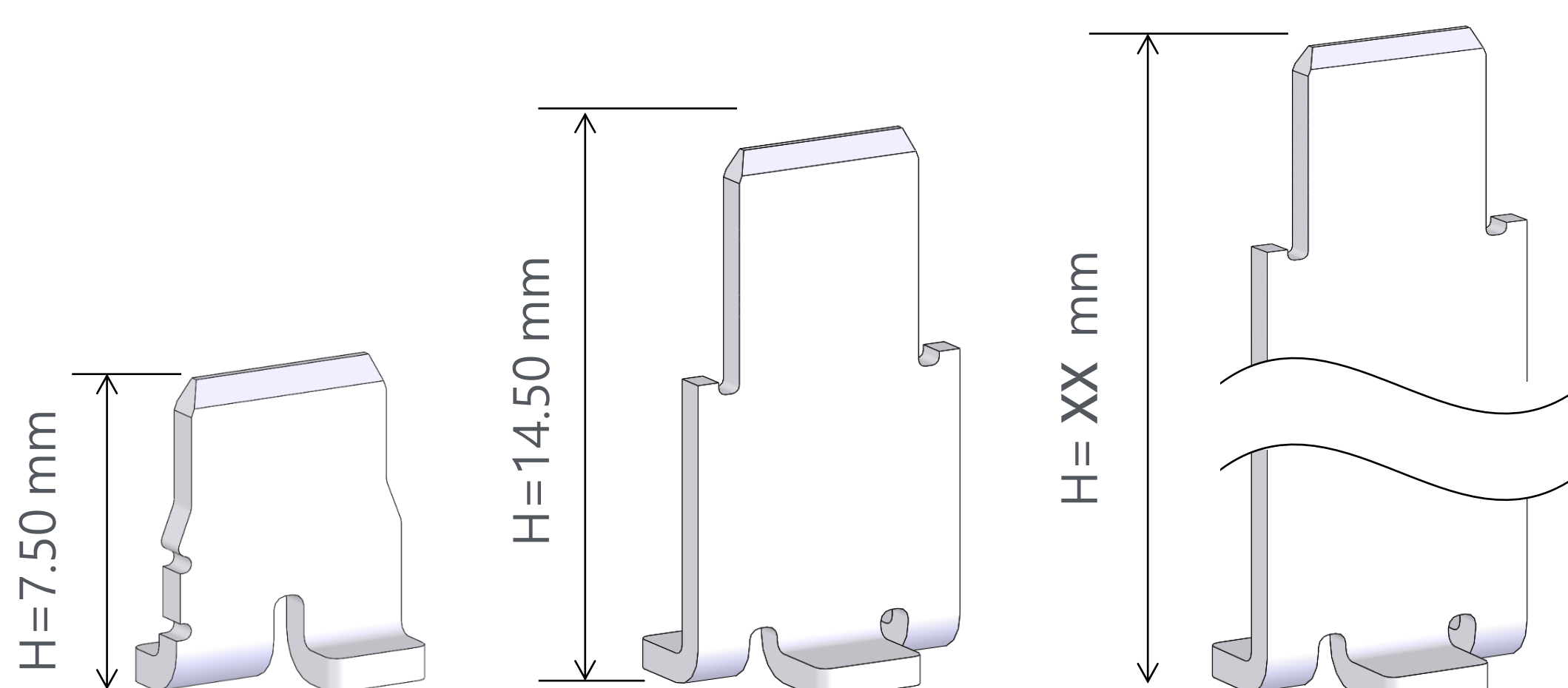
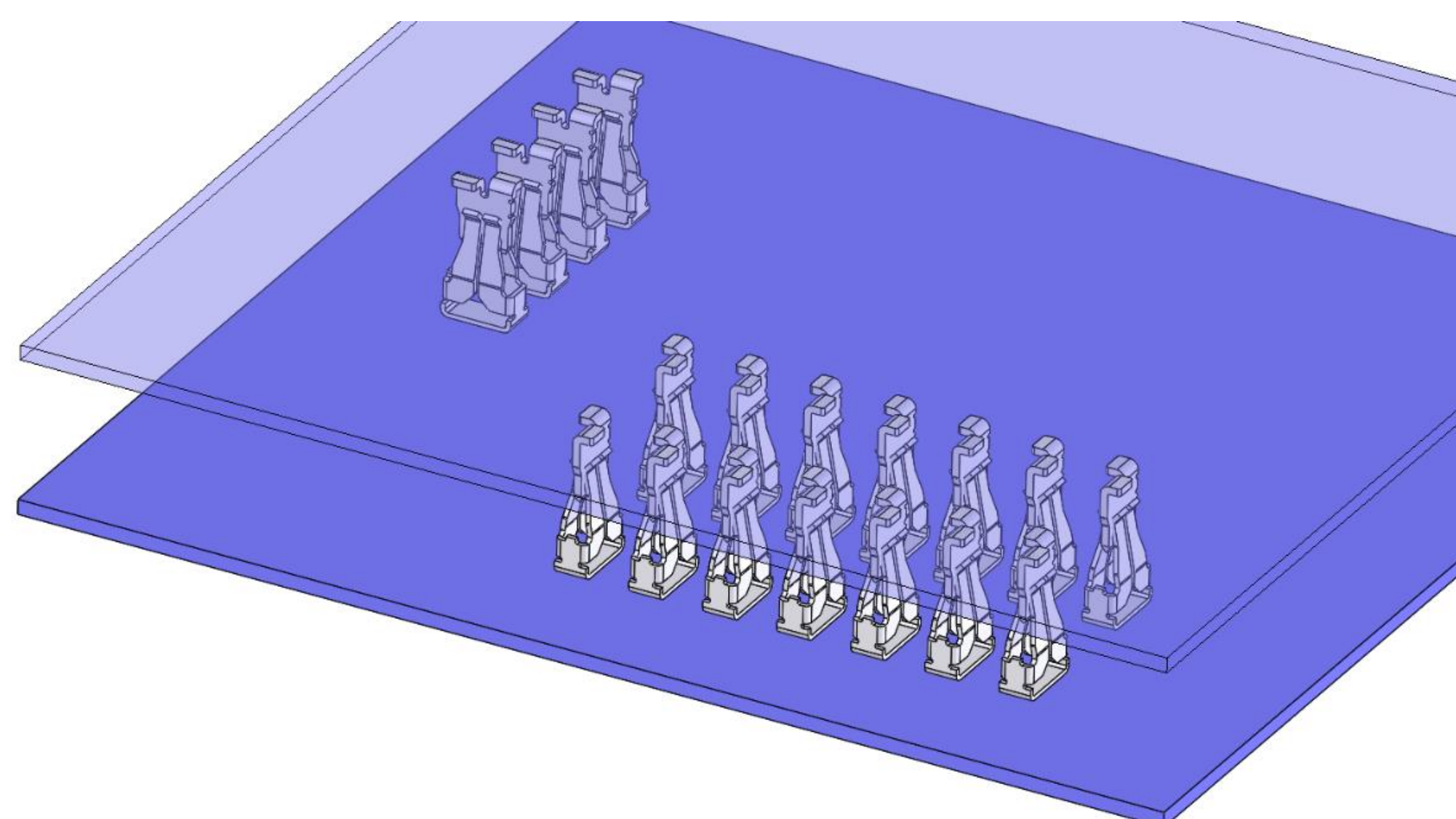
與傳統連接方式的比較

類別	線材連接	板對板連接器
圖面		
尺寸	X	O
觸覺反饋	△	O



最適合DC-DC轉換器和逆變器等電力電子設備

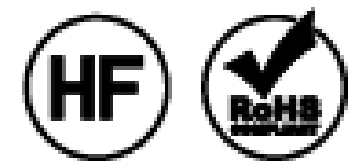
▶ 可搭配客製化高度設計



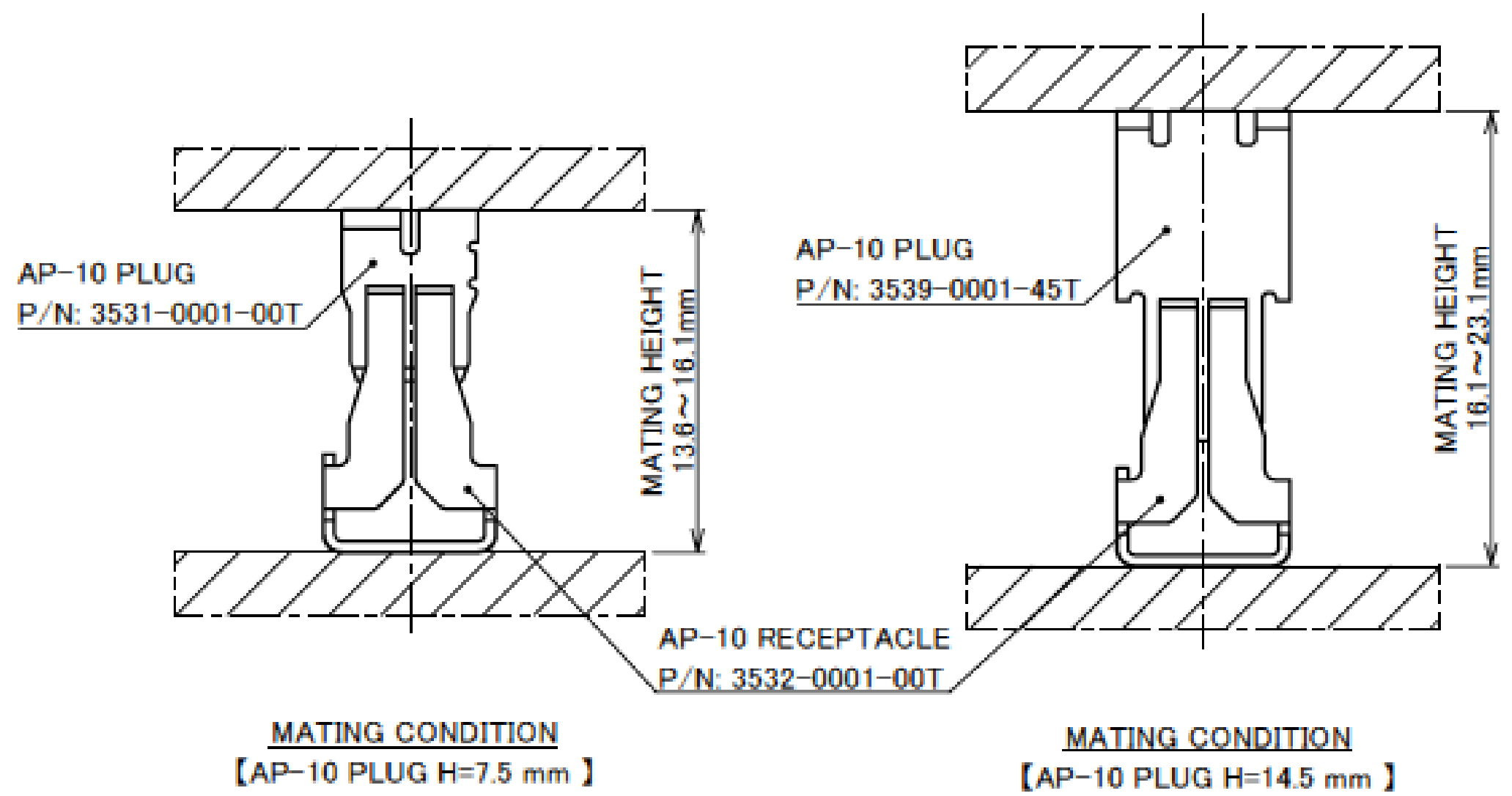
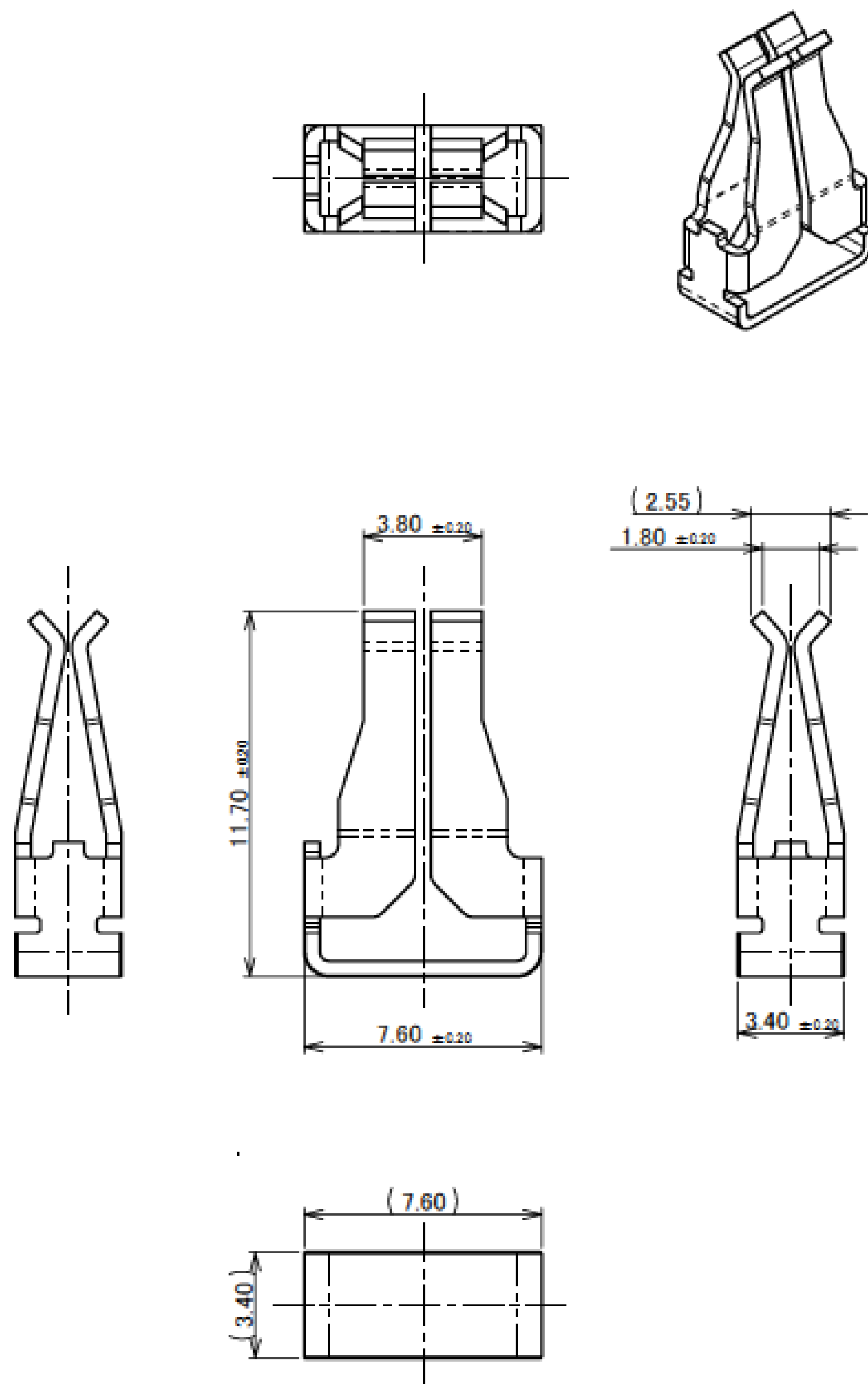
Component Parts Details

AP Series Receptacle

Recommended P/N	3532-0001-00T
PART NO.	
	3532-0001-00T



IATF 16949 Cetified [Planned]

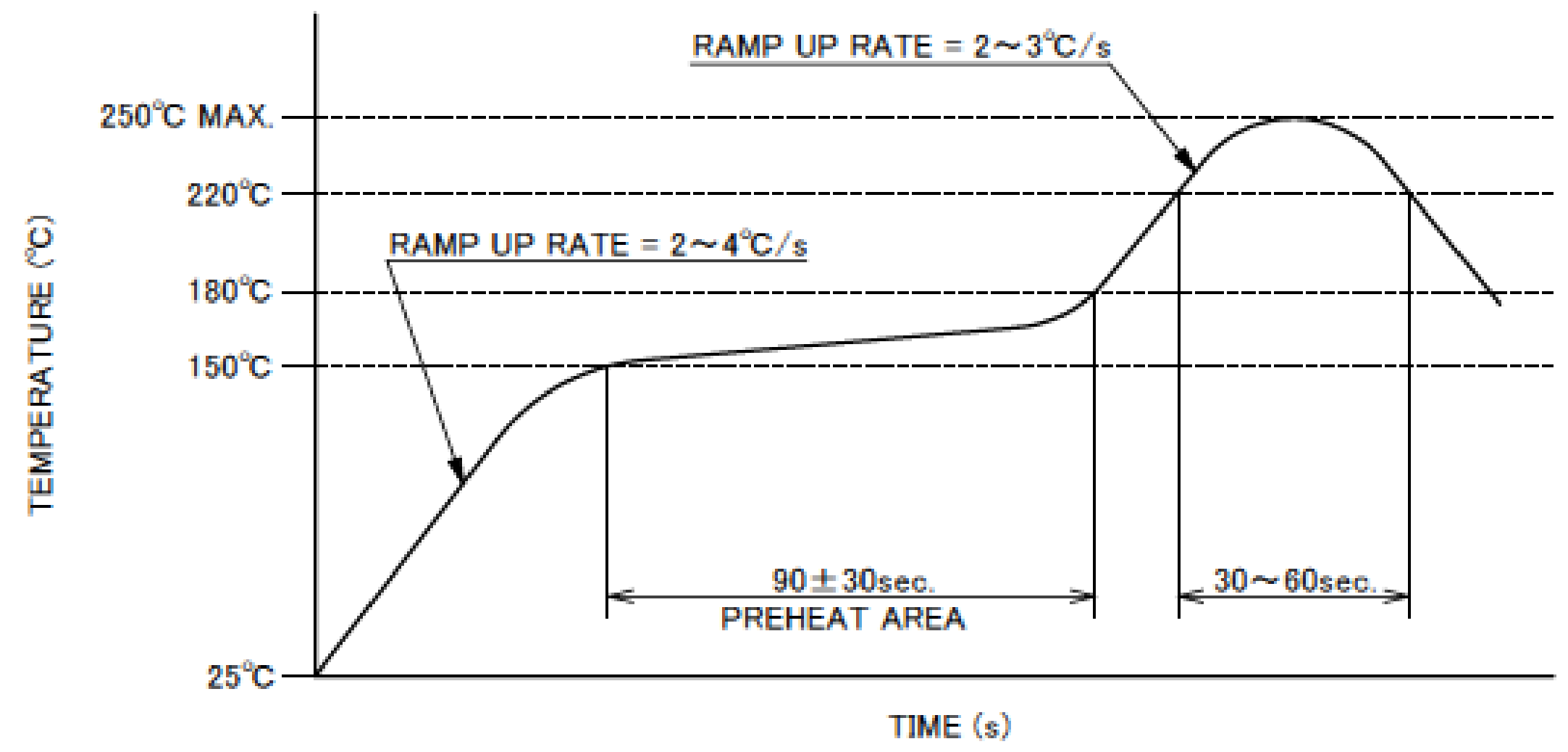
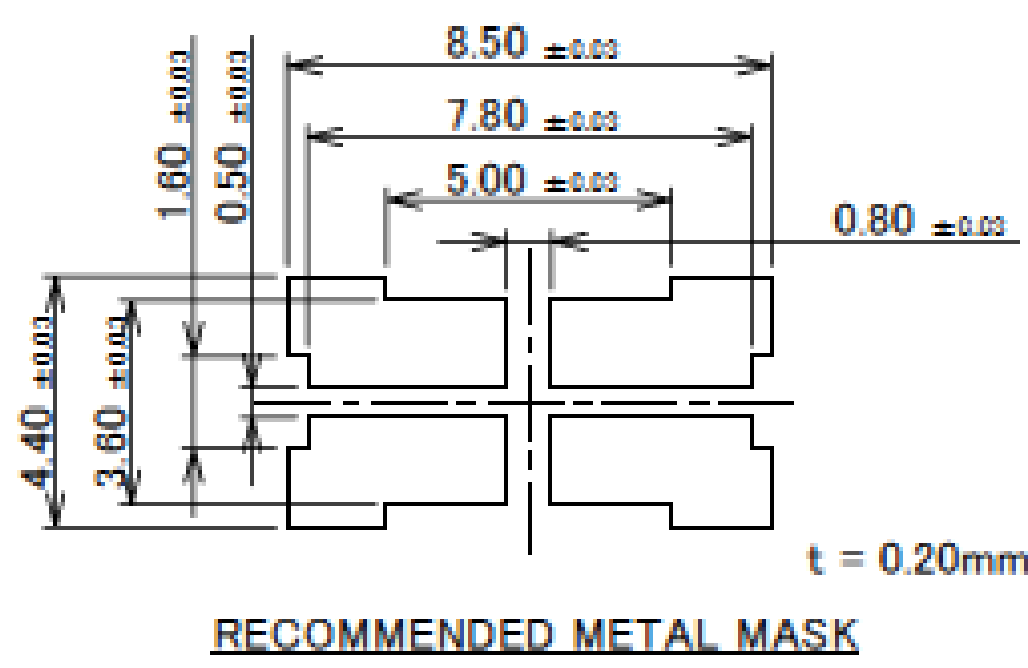
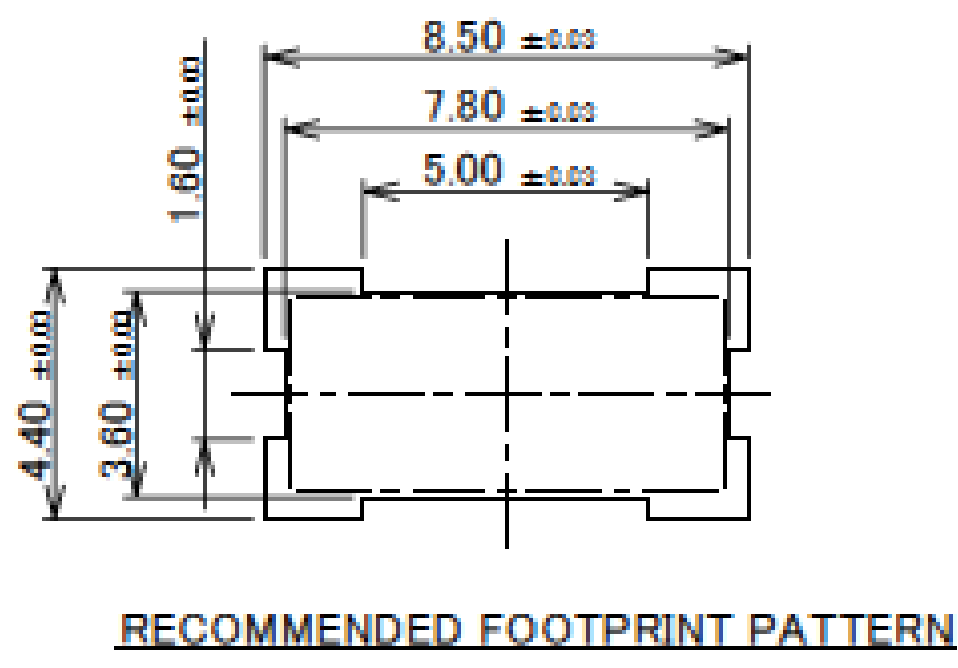


NOTES.
 1. APPLICABLE CONNECTOR
 AP-10 PLUG H=7.5 mm (P/N: 3531-0001-00T)
 AP-10 PLUG H=14.5 mm (P/N: 3539-0001-45T)

NO.	DESCRIPTION	MATERIAL	FINISH , REMARKS
1	RECEPTACLE	COPPER ALLOY	Sn 1.00~4.50 μm OVER Ni 1.00~4.50 μm

AP Series Receptacle

PART NO.
3532-0001-00T



Rev.5

ITEMS	SPECIFICATION
APPLICABLE CONNECTOR PART No.	3531-0001-00T 3539-0001-45T
RATING AMPERAGE	16A DC
TEMPERATURE RISE	△15.0°C Max.
COMPONENT TEMPERATURE(ENERGIZATION)	233~378K(-40°C~+105°C)
OPERATING HUMIDITY	85% MAX.(NON-CONDENSING)
CONTACT RESISTANCE	INITIAL : 1.0 mohm MAX. / AFTER TEST : 1.0 mohm MAX.
DURABILITY	3 CYCLES
MATING FORCE	15.0 N MAX.
COPLANARITY	0.10mm MAX.
PRODUCT SPECIFICATION	PRS-2616
TEST REPORT	TR-19063
PACKING STANDARD	PST-17121
APPEARANCE CRITERIA No.	QLS-A***

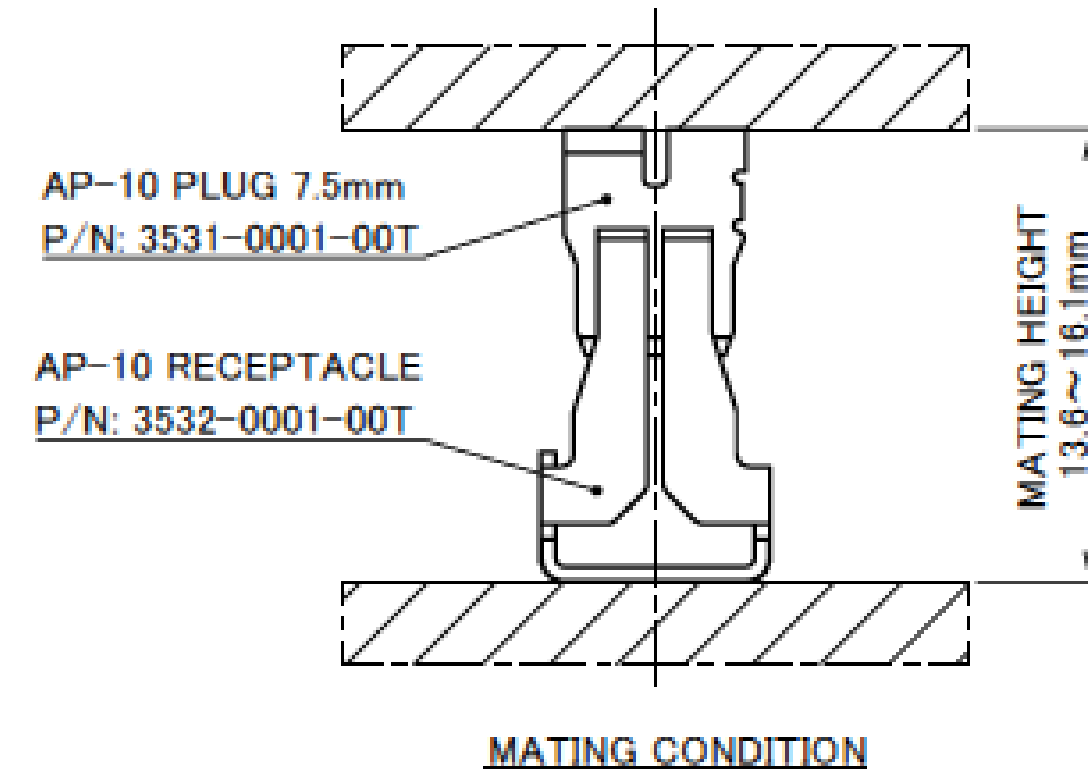
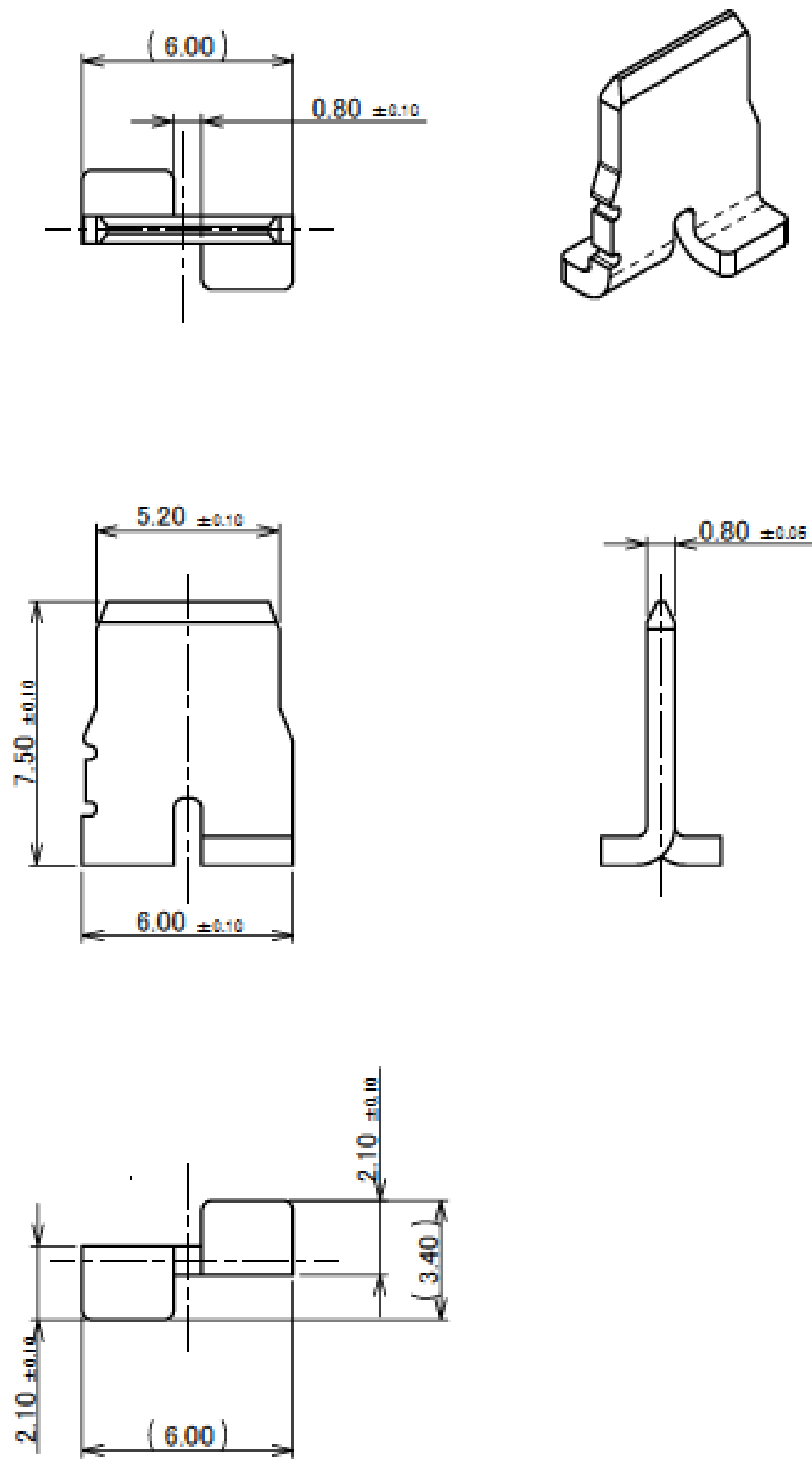
Rev.5

AP Series Plug

Recommended P/N	3531-0001-00T
PART NO.	
3531-0001-00T	



IATF 16949 Cetified [Planned]

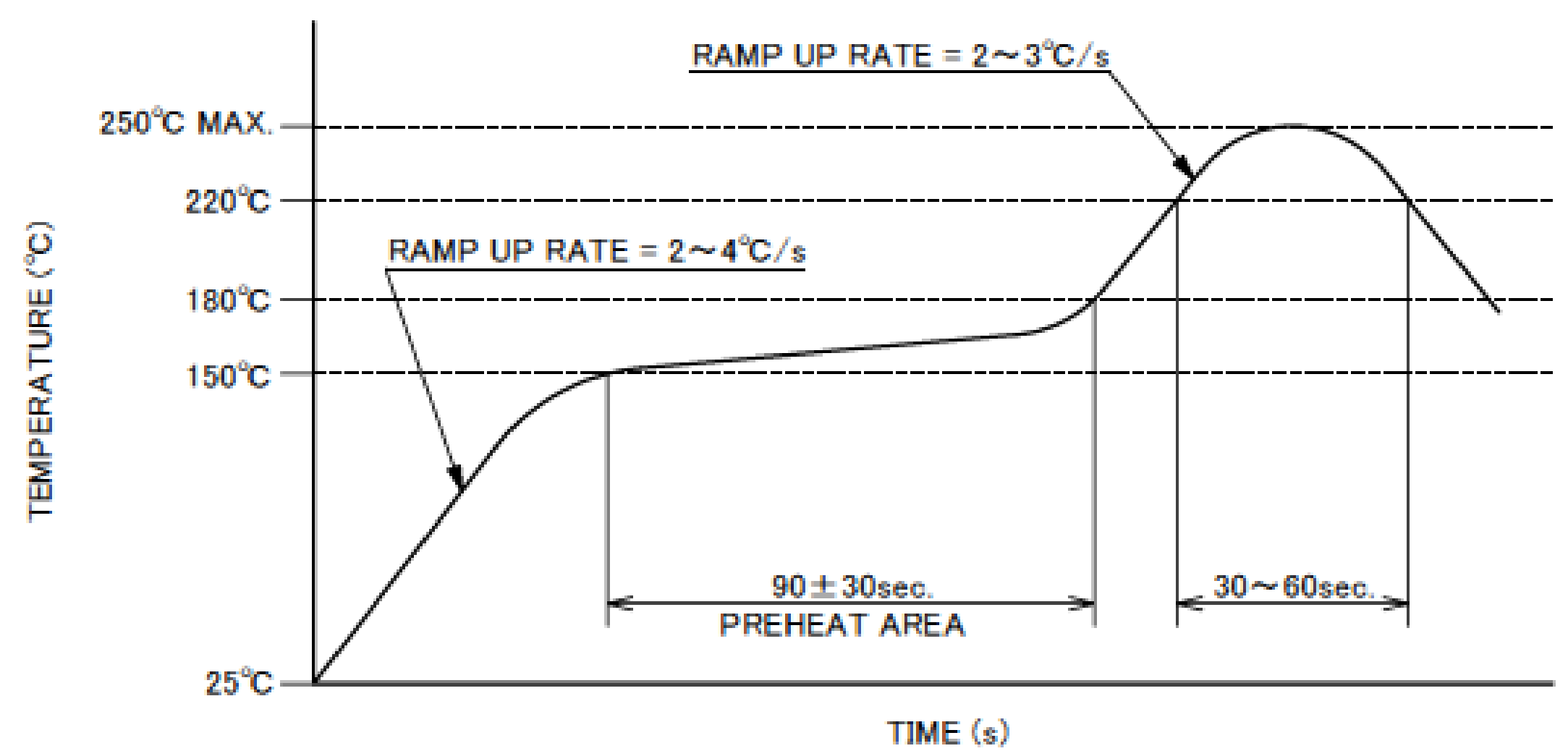
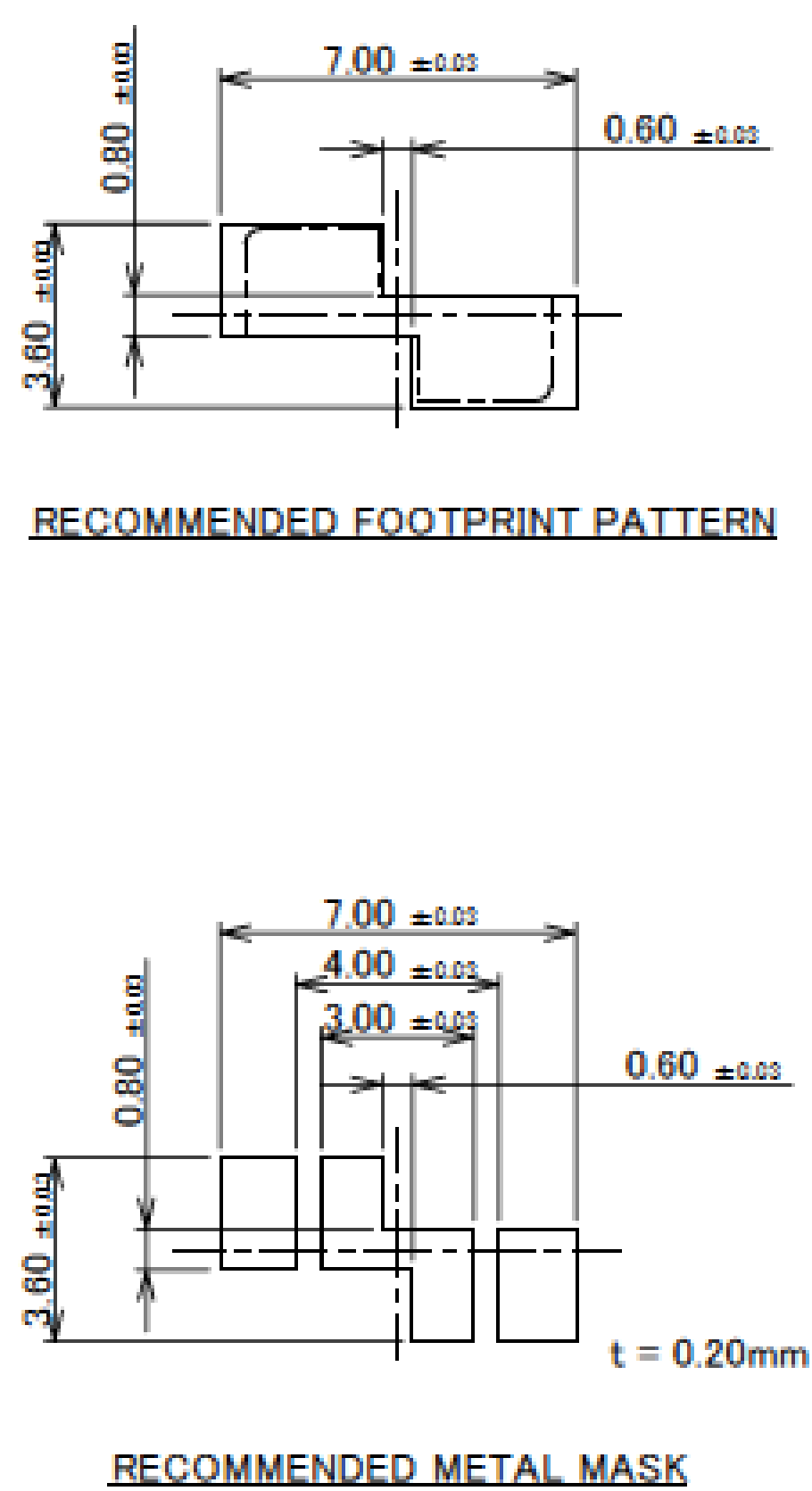


NOTES.
1. APPLICABLE CONNECTOR
AP-10 RECEPTACLE (P/N: 3532-0001-00T)

NO.	DESCRIPTION	MATERIAL	FINISH, REMARKS
1	PLUG	BRASS	Sn 1.00 μm ~ 4.50 μm OVER Ni 1.00 μm ~ 4.50 μm

Rev.5

PART NO.
3531-0001-00T



REFLOW TEMPERATURE PROFILE
SENJU METAL INDUSTRY CO., LTD. : M705-SHF(Sn96.5 Ag3.0 Cu0.5)

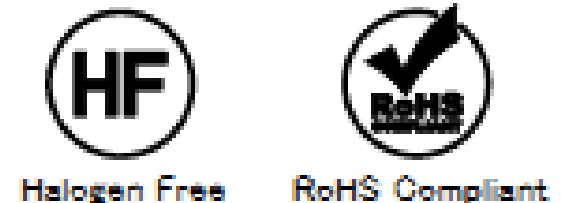
Rev.5

AP Series Plug

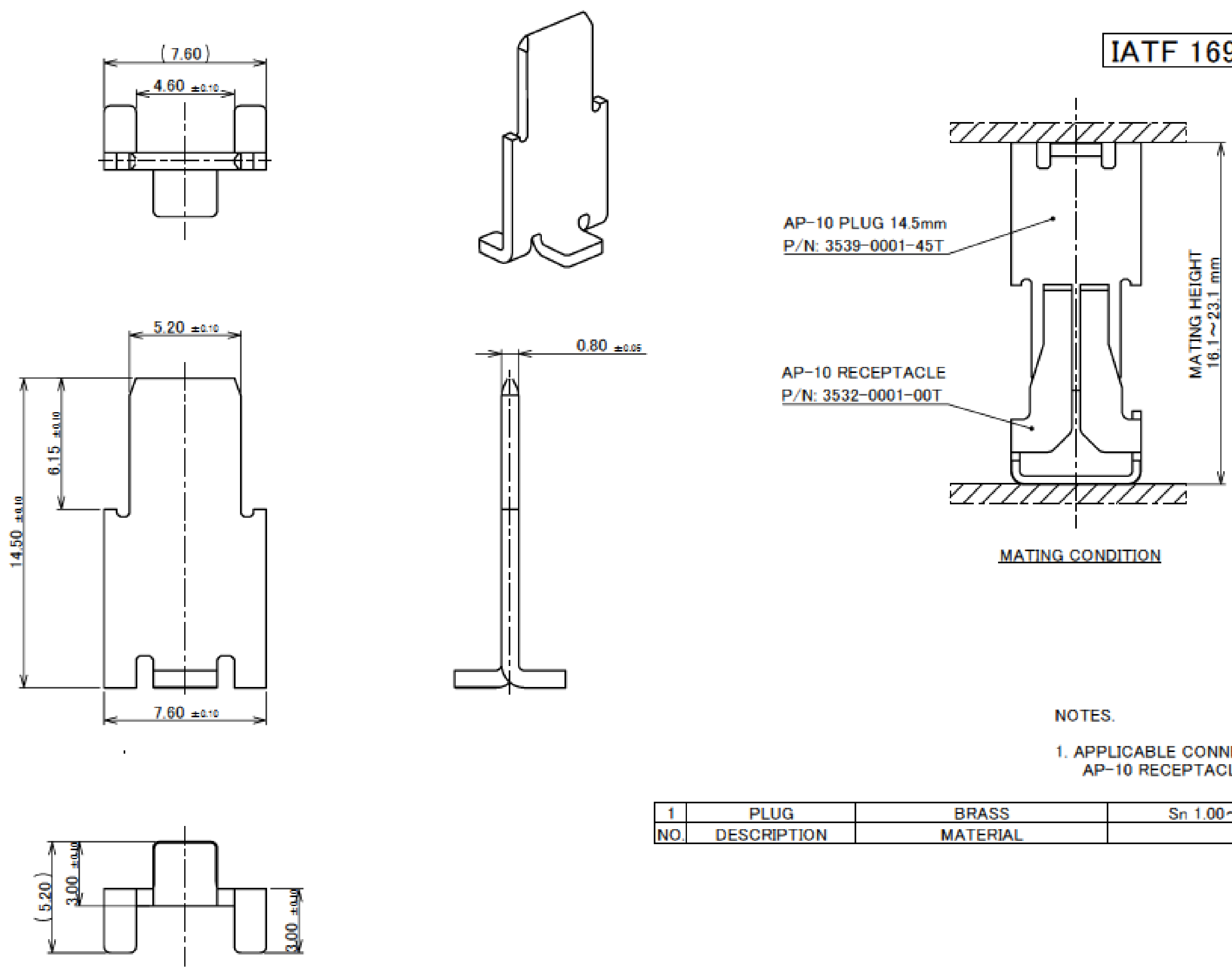
ITEMS	SPECIFICATION
APPLICABLE CONNECTOR PART No.	3532-0001-00T
RATING AMPERAGE	16A DC
TEMPERATURE RISE	△15.0°C MAX.
COMPONENT TEMPERATURE(ENERGIZATION)	233~378K(-40°C~+105°C)
OPERATING HUMIDITY	85% MAX.(NON-CONDENSING)
CONTACT RESISTANCE	INITIAL : 1.0 mohm MAX. / AFTER TEST : 1.0 mohm MAX.
DURABILITY	3 CYCLES
MATING FORCE/UNMATING FORCE	15.0 N MAX./15.0 N MAX.
COPLANARITY	0.10mm MAX.
PRODUCT SPECIFICATION	PRS-2616
TEST REPORT	TR-19063
PACKING STANDARD	PST-17120
APPEARANCE CRITERIA No.	QLS-A***

Rev.5

Recommended P/N	3539-0001-45T
PART NO	3539-0001-45T



IATF 16949 Cetified [Planned]



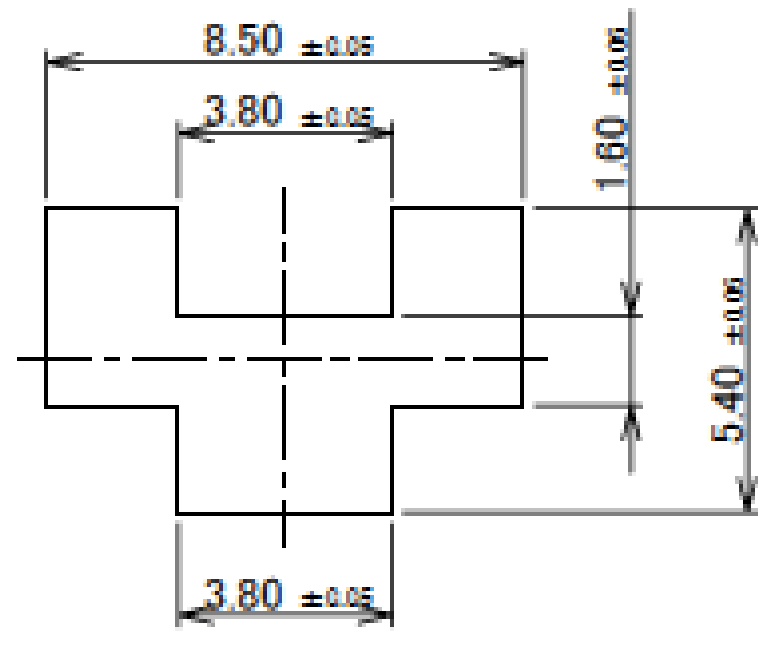
NOTES.
1. APPLICABLE CONNECTOR
AP-10 RECEPTACLE (P/N: 3532-0001-00T)

NO.	DESCRIPTION	MATERIAL	REMARKS, FINISH
1	PLUG	BRASS	Sn 1.00~4.50 μm OVER Ni 1.00~4.50 μm

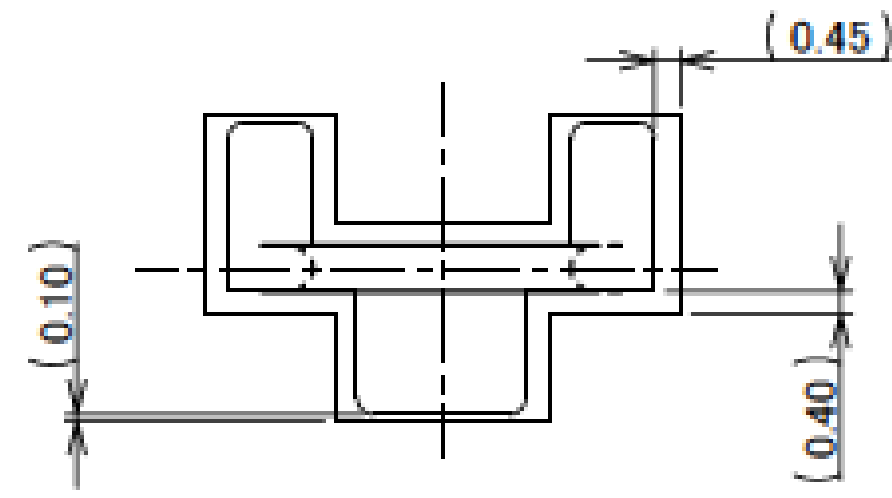
Rev.2

AP Series Plug

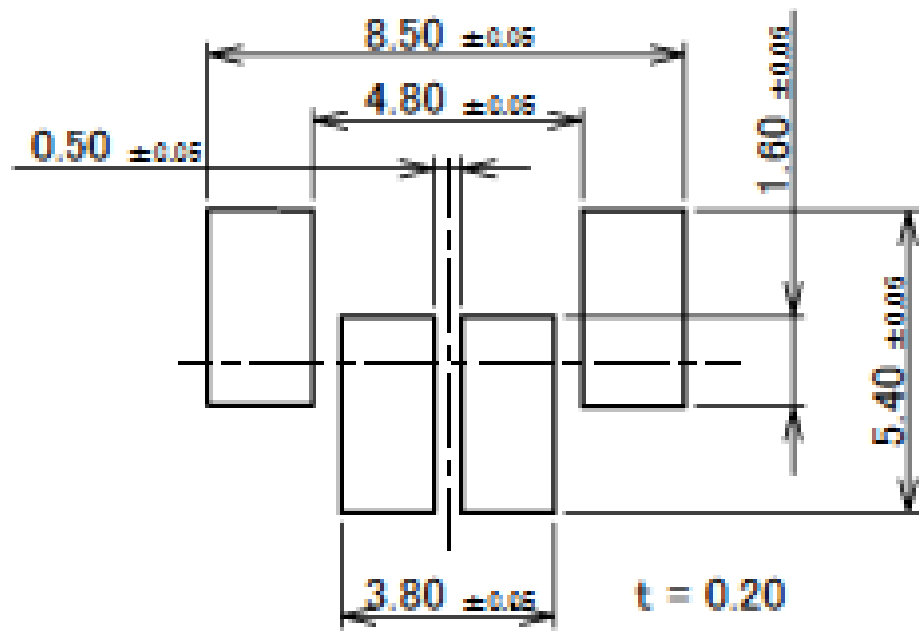
PART NO.
3539-0001-45T



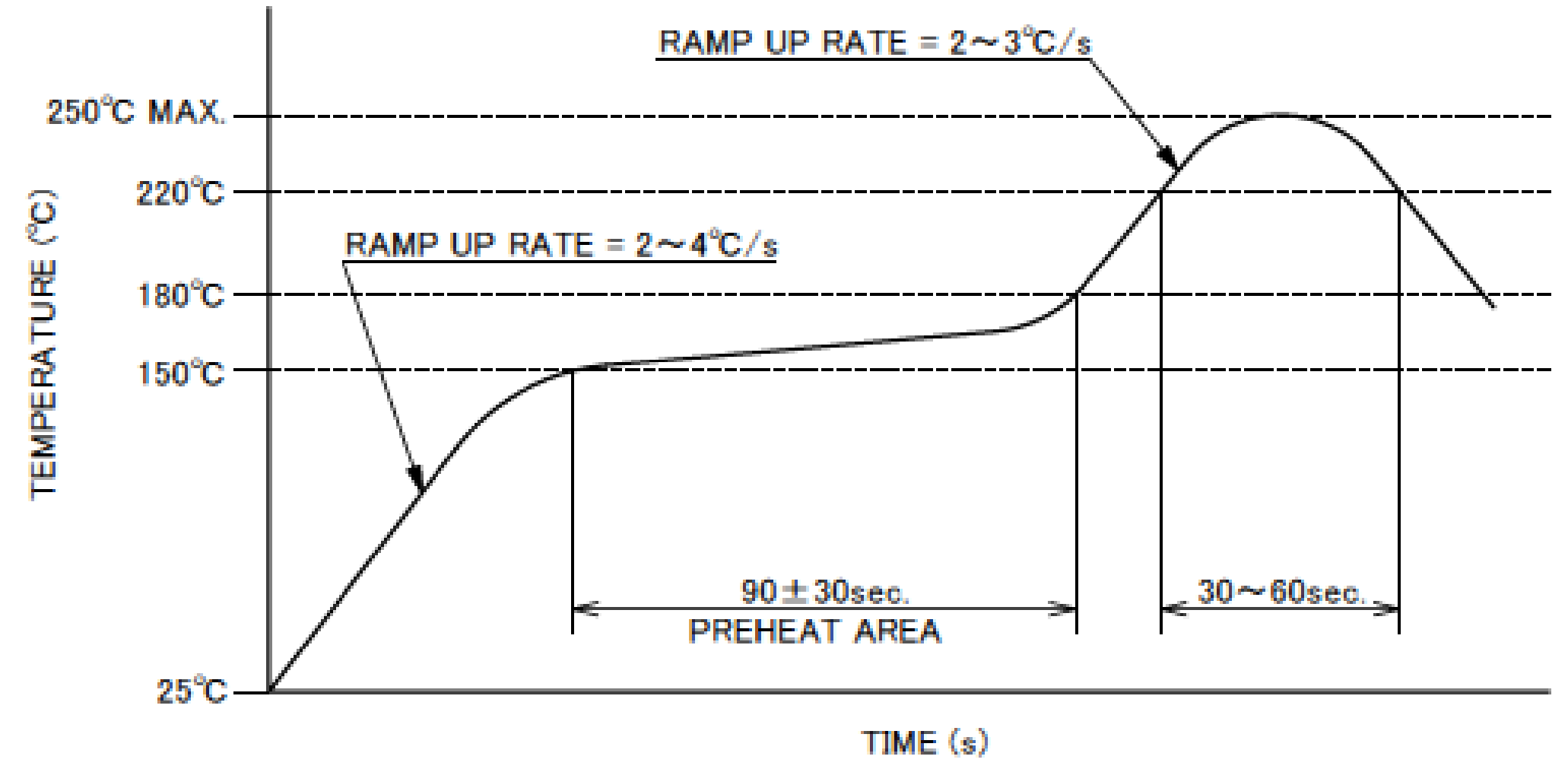
RECOMMENDED PATTERN LAYOUT



CONNECTOR ON RECOMMENDED PATTERN



RECOMMENDED METAL MASK LAYOUT



REFLOW TEMPERATURE PROFILE
SENJU METAL INDUSTRY CO., LTD. : M705-SHF(Sn96.5 Ag3.0 Cu0.5)

Rev.2

ITEMS	SPECIFICATION
APPLICABLE CONNECTOR PART No.	3532-0001-00T
RATING AMPERAGE	16A DC
TEMPERATURE RISE	△15.0°C MAX
COMPONENT TEMPERATURE (ENERGIZATION)	233~378K(-40°C~105°C)
OPERATING HUMIDITY	85% MAX.(NON-CONDENSING)
CONTACT RESISTANCE	INITIAL : 1.0 mohm MAX. / AFTER TEST : 1.0 mohm MAX.
DURABILITY	3 CYCLES
MATING FORCE/UNMATING FORCE	15.0 N MAX./15.0 N MAX.
COPLANARITY	0.10mm MAX.
PRODUCT SPECIFICATION	PRS-2616
TEST REPORT	TR-19063
PACKING STANDARD	PST-22010
APPEARANCE CRITERIA No.	QLS-A***

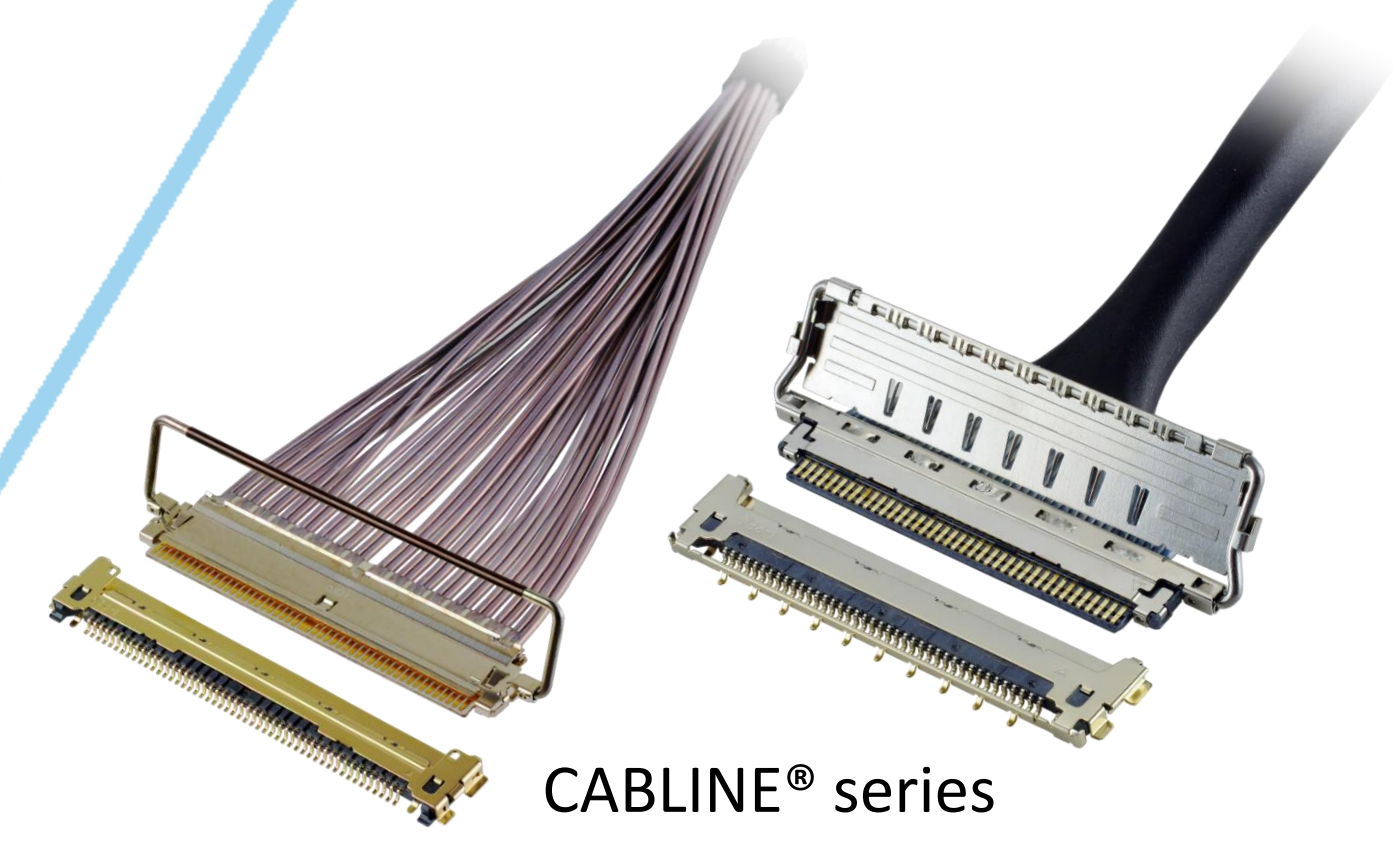
Custom Connectors Available

 RF Connector

MHF® series



CABLINÉ® series
Micro-coaxial/Twinax/
Discrete Wire Connector



Optical Module

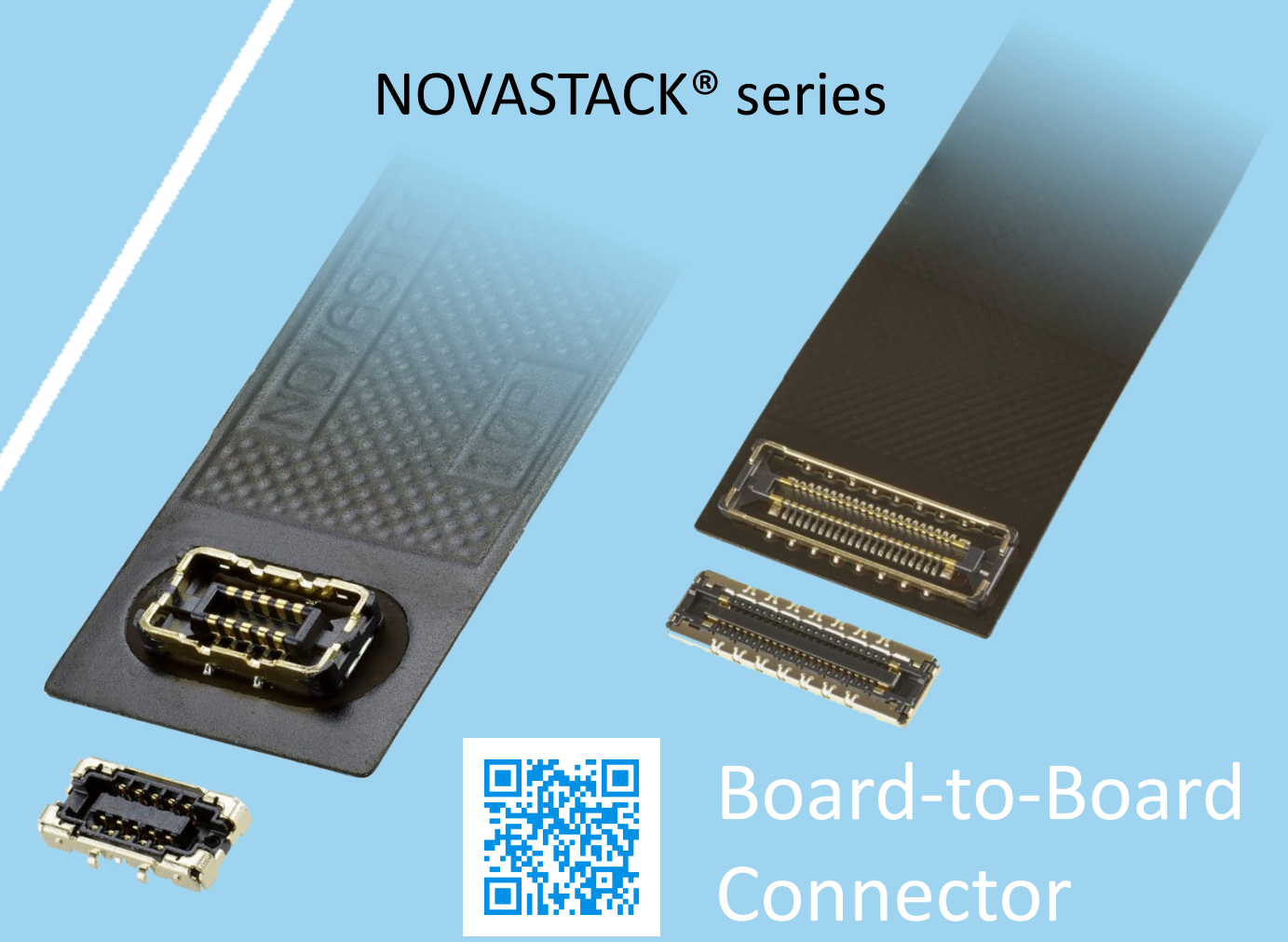
LIGHTPASS® series



NOVASTACK® series



Board-to-Board Connector



Power Connector/
Terminal

AP series

ISH® series



MINIFLEX® series

EVAFLEX® series



FPC FFC Connector



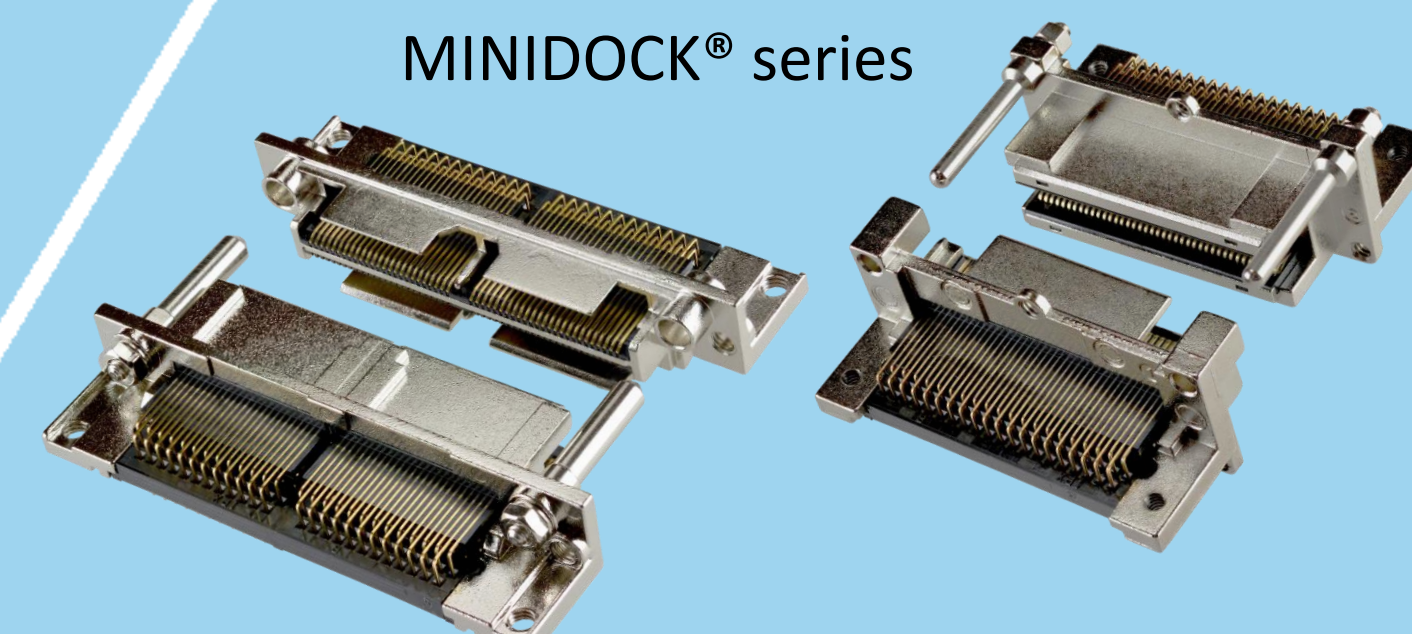
Inquiry



MINIDOCK® series



I/O Connector



I-PEX, MHF, CABLINE, LIGHTPASS, NOVASTACK, ISH, IARPB, MINIFLEX, EVAFLEX, MINIDOCKS and ZenShield are registered trademarks of I-PEX Inc. Please note that the contents in the catalog might be changed without prior notification. I-PEX Inc. assumes no responsibility for any inaccuracies or obligation to update information on these documents. Please be sure to read and understand the latest "Precautions for Use" and "Instruction Manual" before you use our products. We shall not be responsible for any defects, damages or troubles in case you use our products without following the precautions for use. Please feel free to contact our sales representatives when you use our products for any applications that require very high reliability and safety, or that relate to human life (ex. nuclear power control, aerospace, transportation, medical equipment, safety equipment etc.).

Contact your sales representative or more detailed information.

www.i-pex.com



I-PEX

© I-PEX Inc. 2024
All rights reserved