

# AP-10

大功率电源端子，有助于电力电子设备的小型化，高度差可定制。

**Product Specifications:**

Mating type		Vertical
Wiping Length (mm)		2.55 (Plug: 7.5) 4.80 (Plug: 14.5)
Size (mm)	Height (mm)	13.6 ~ 16.1 (Plug: 7.5) 16.1 ~ 23.1 (Plug: 14.5)
	Width (mm)	7.6 (Rece) 3.4 (Plug: 7.5) 5.2 (Plug: 14.5)
Depth		3.4 +/- 0.2 (Rece) 6.0 +/- 0.1 (Plug: 7.5) 7.6 +/- 0.1 (Plug: 14.5)

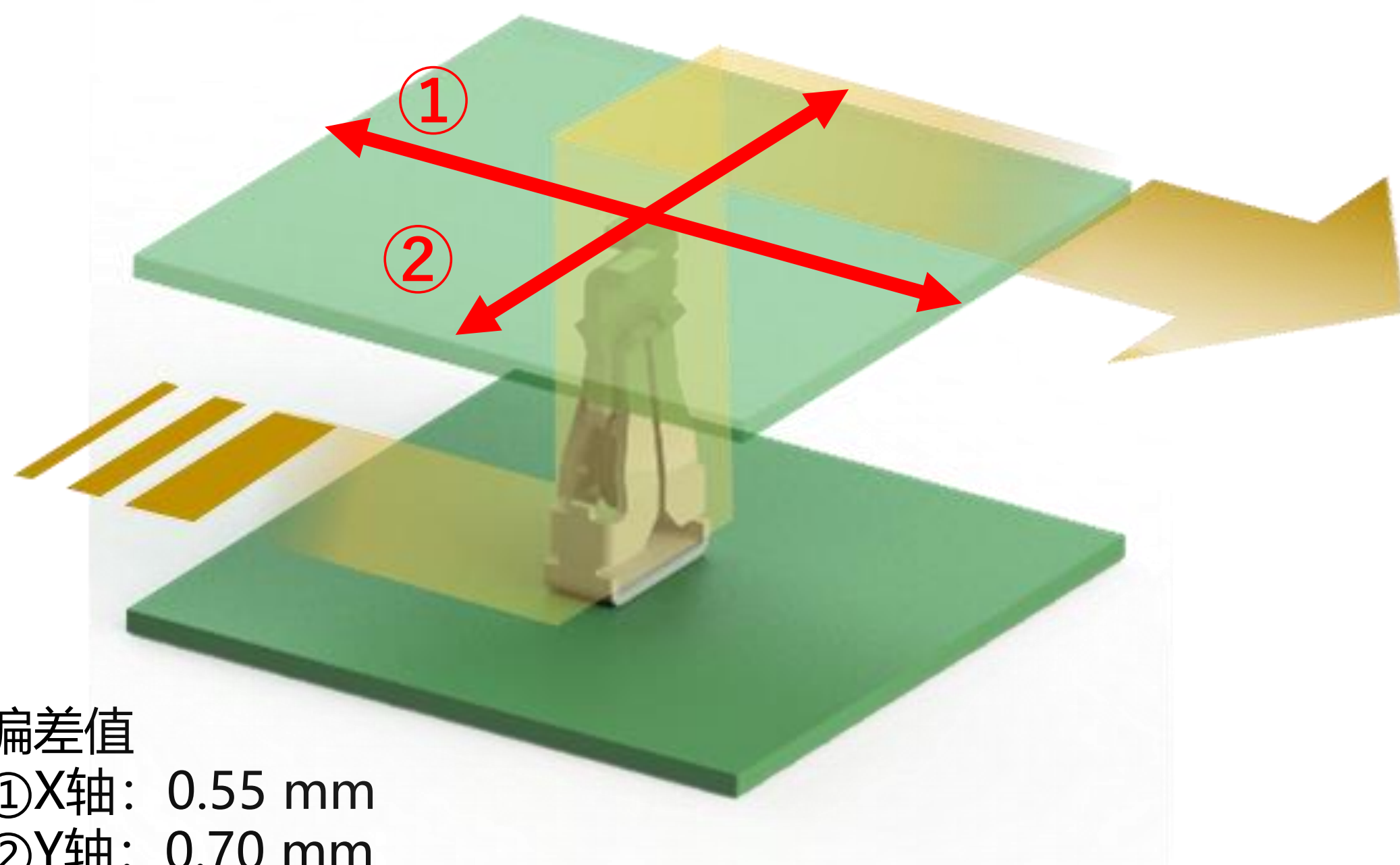
\*如您需要了解未列出或不在范围内的Pin数，请咨询我们。

**Product Specifications:**

Operating Temperature	-40 - 105°C
Mating force	15N Max.
Contact resistance	1.0 mΩ Max.



## ▶ 强电流和耐高温，板对板电源端子

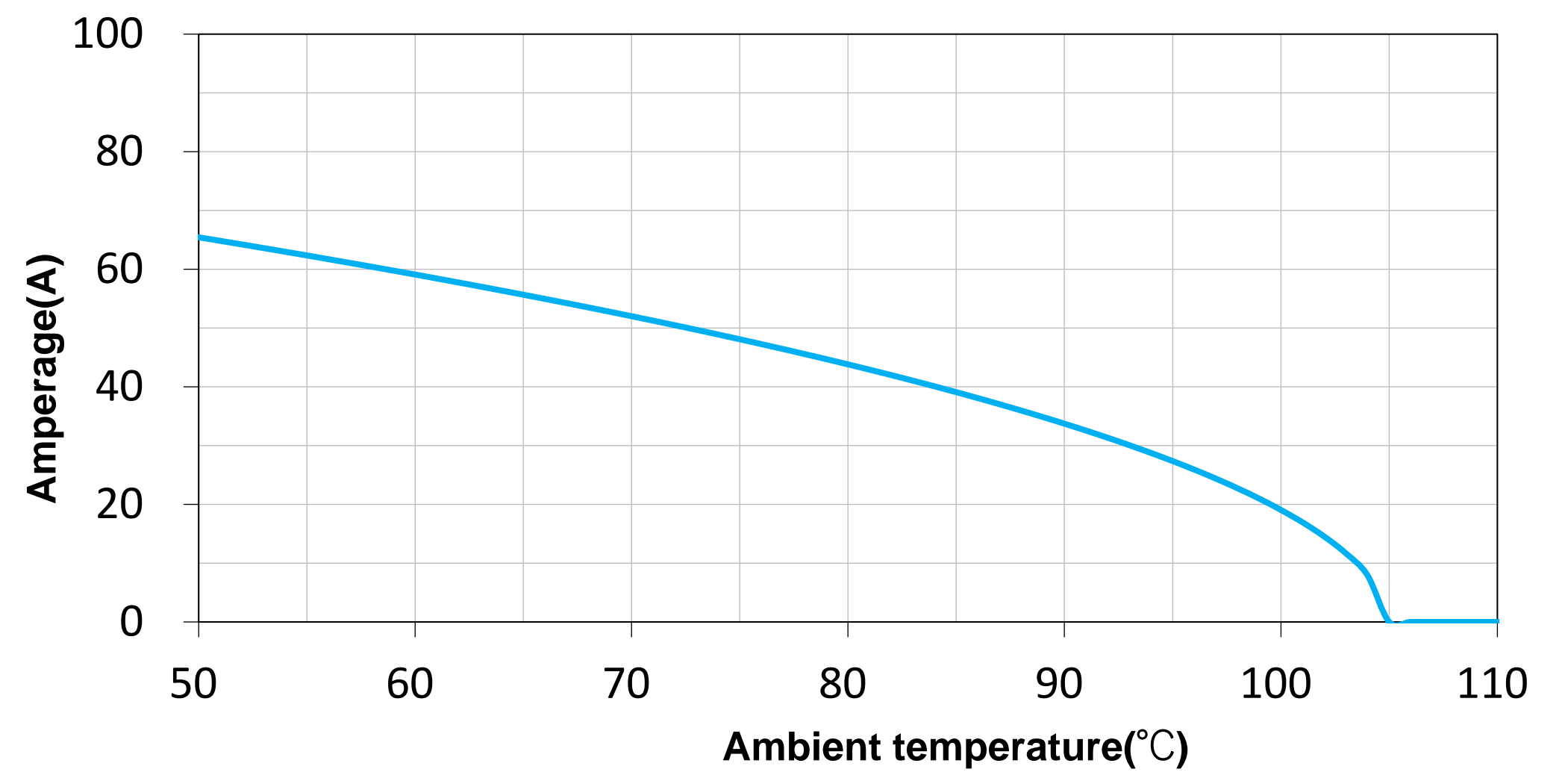


偏差值

①X轴: 0.55 mm

②Y轴: 0.70 mm

AP-10 allowable current curve

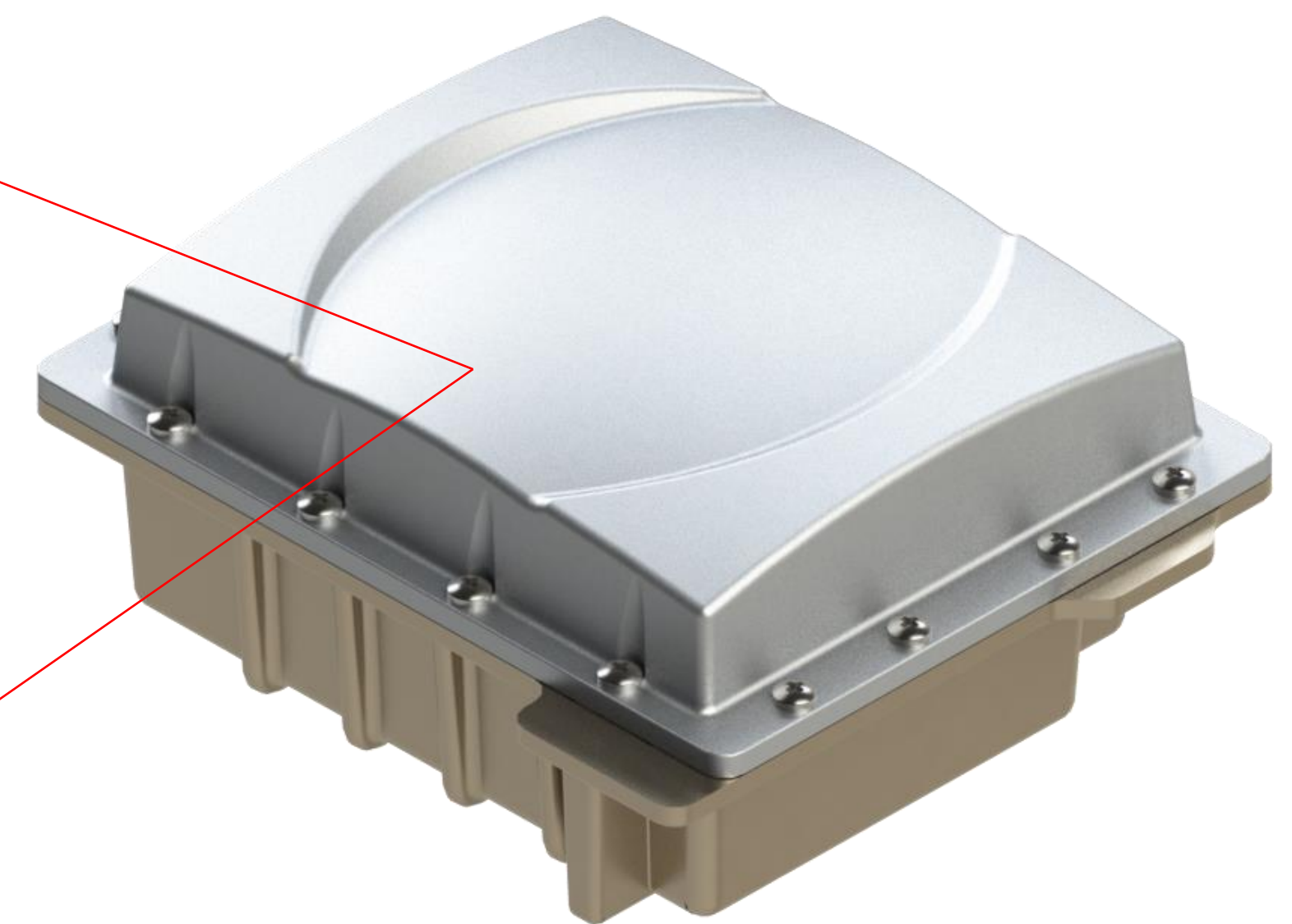


\*上述结果为敝司规定的测试条件下的实测结果  
\*取决于具体的使用环境，更多详情欢迎垂询

## ▶ 通过连接器的小型化实现PCB上的节省空间的设计

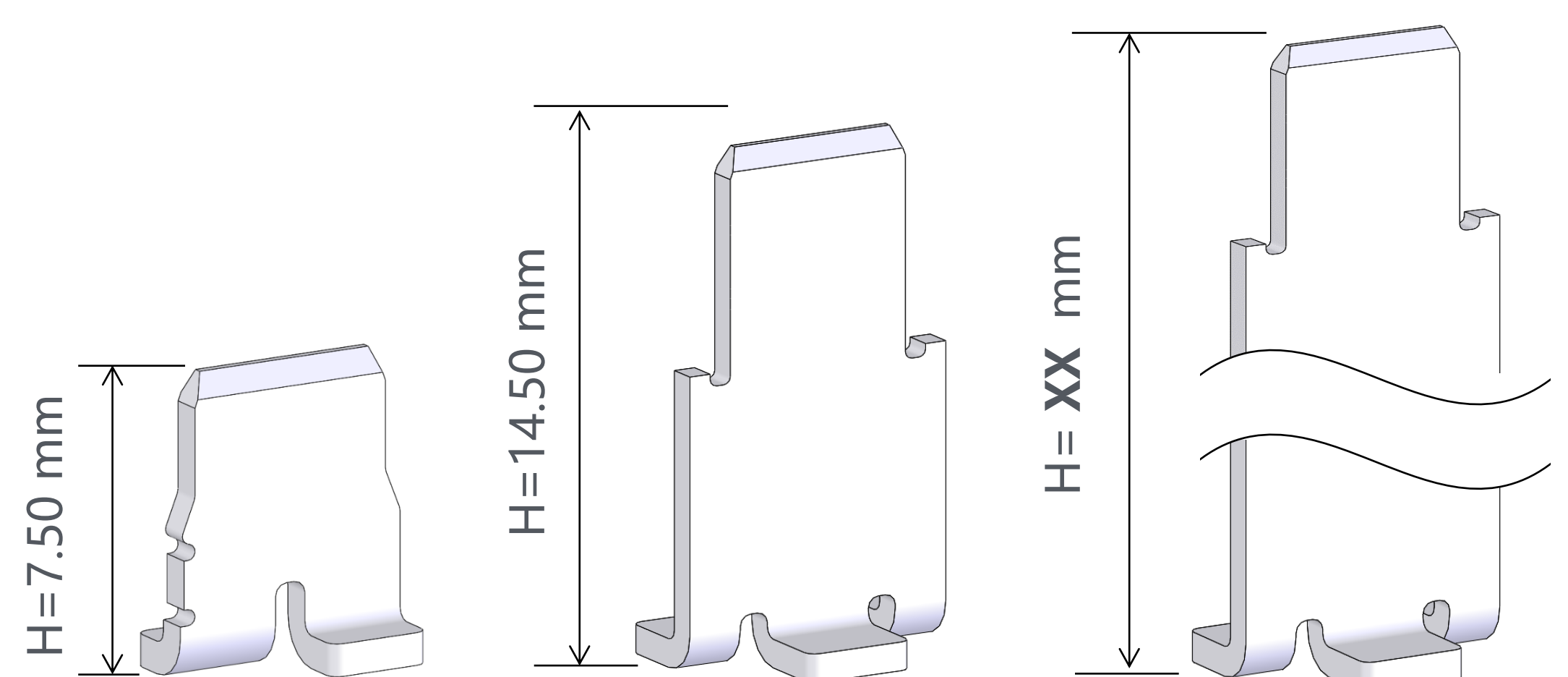
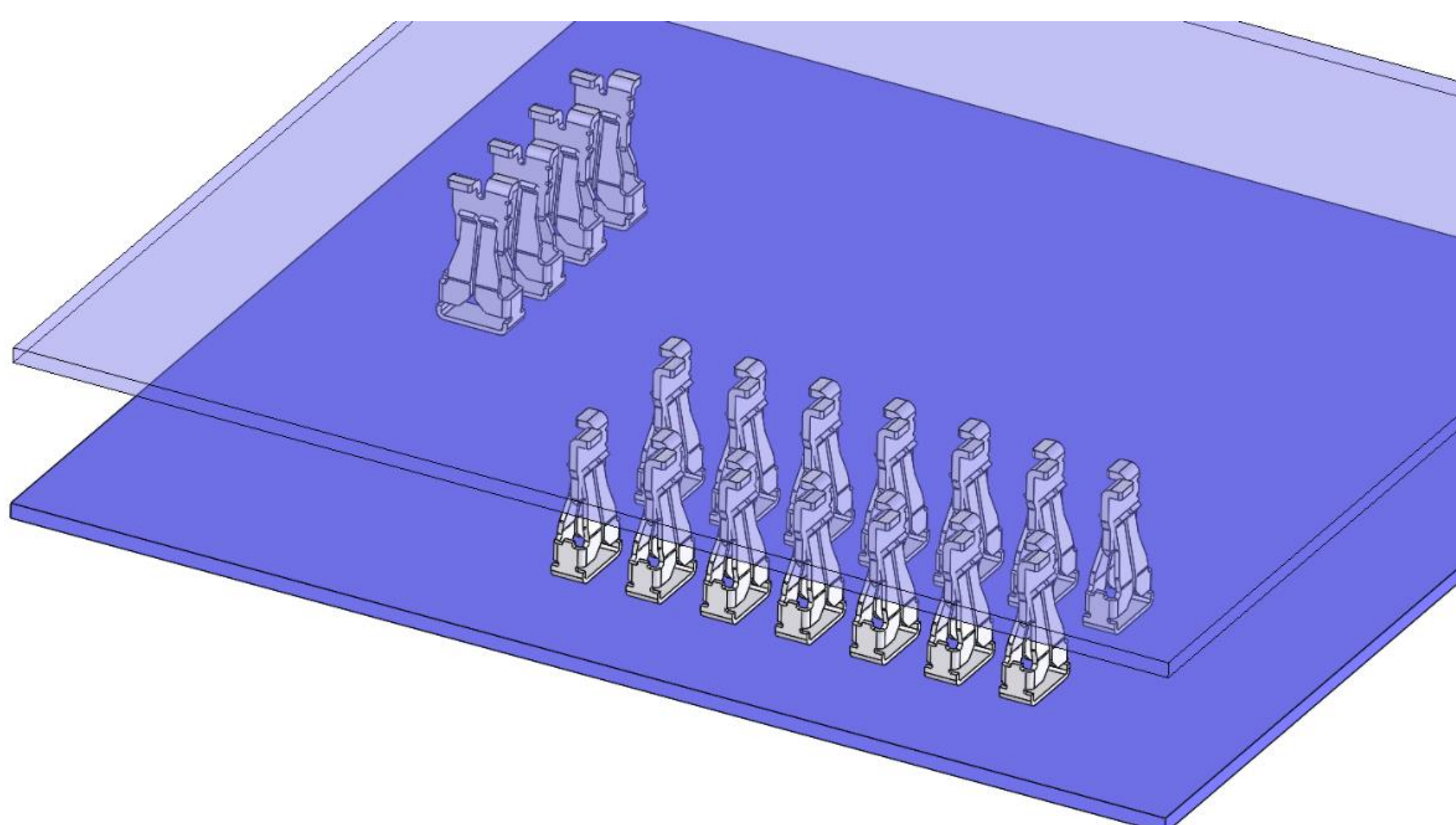
与传统连接方式的比较

类别	母线	板板连接器
图面		
尺寸	X	O
触觉反馈	△	O



最适合DC-DC转换器和逆变器等电力电子设备

## ▶ 定制设计的处理

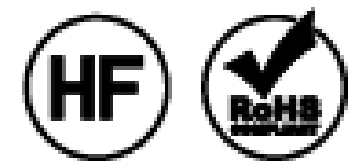




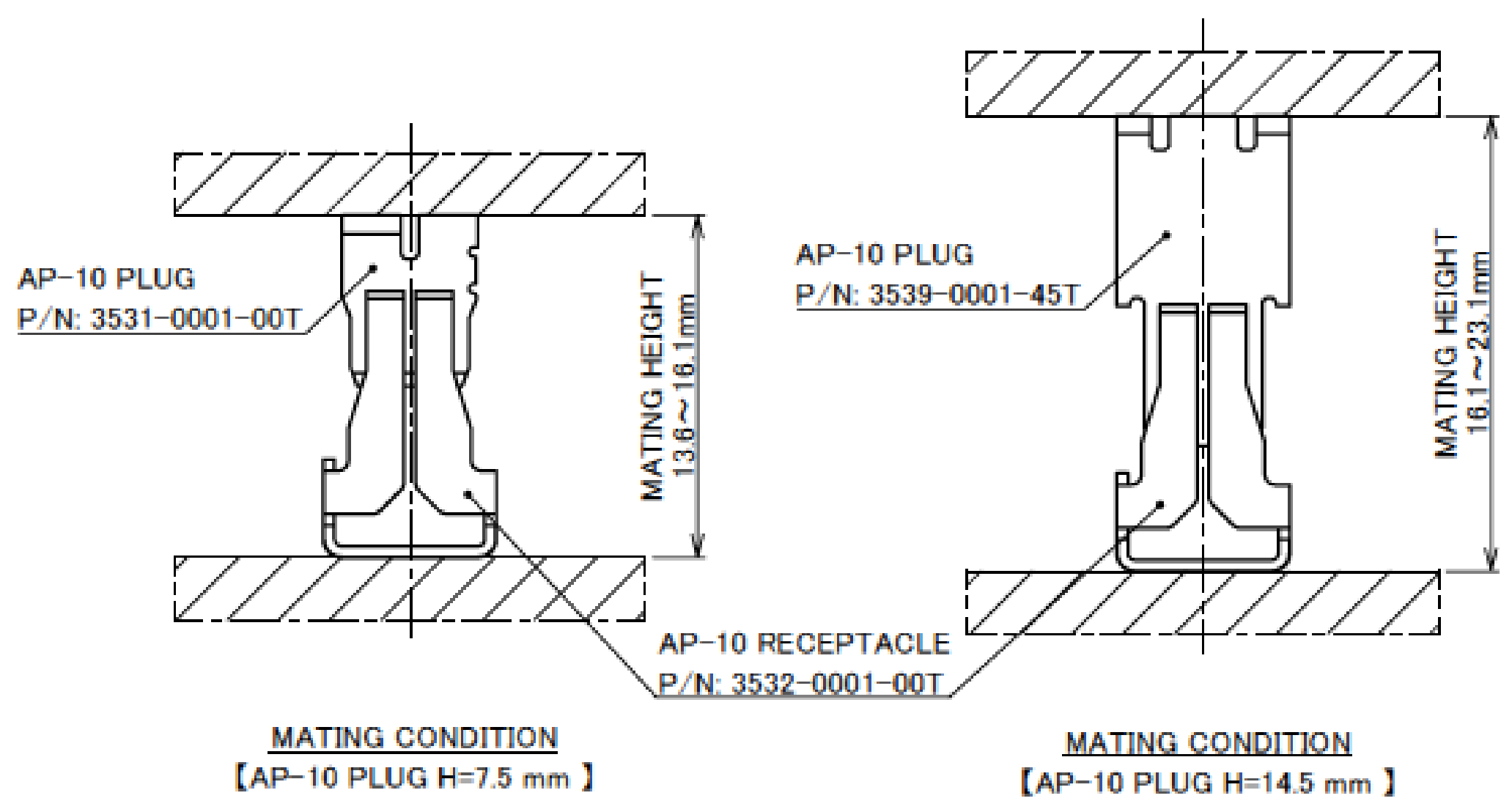
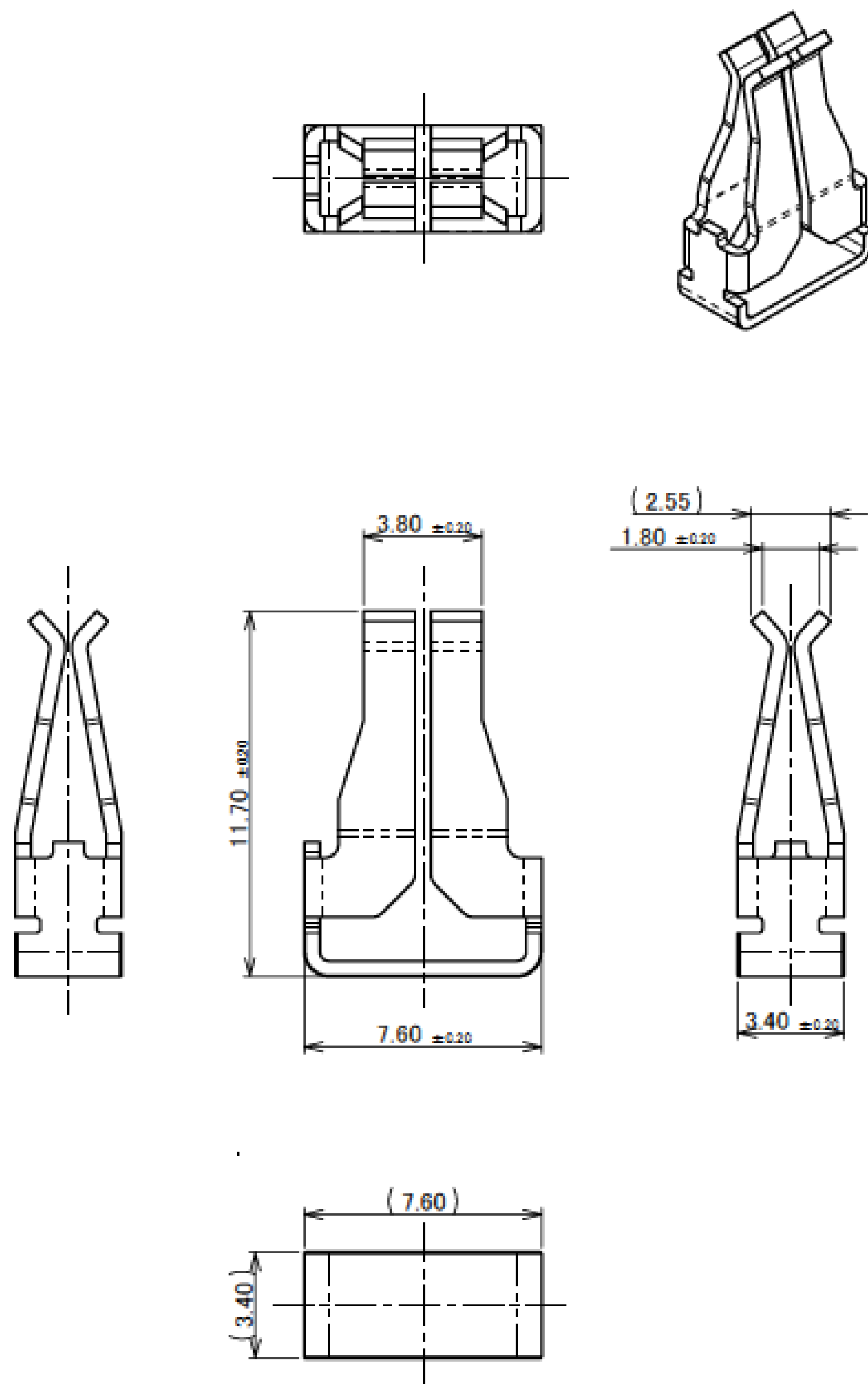
# Component Parts Details

## AP Series Receptacle

Recommended P/N	3532-0001-00T
PART NO.	
	3532-0001-00T



IATF 16949 Cetified [Planned]

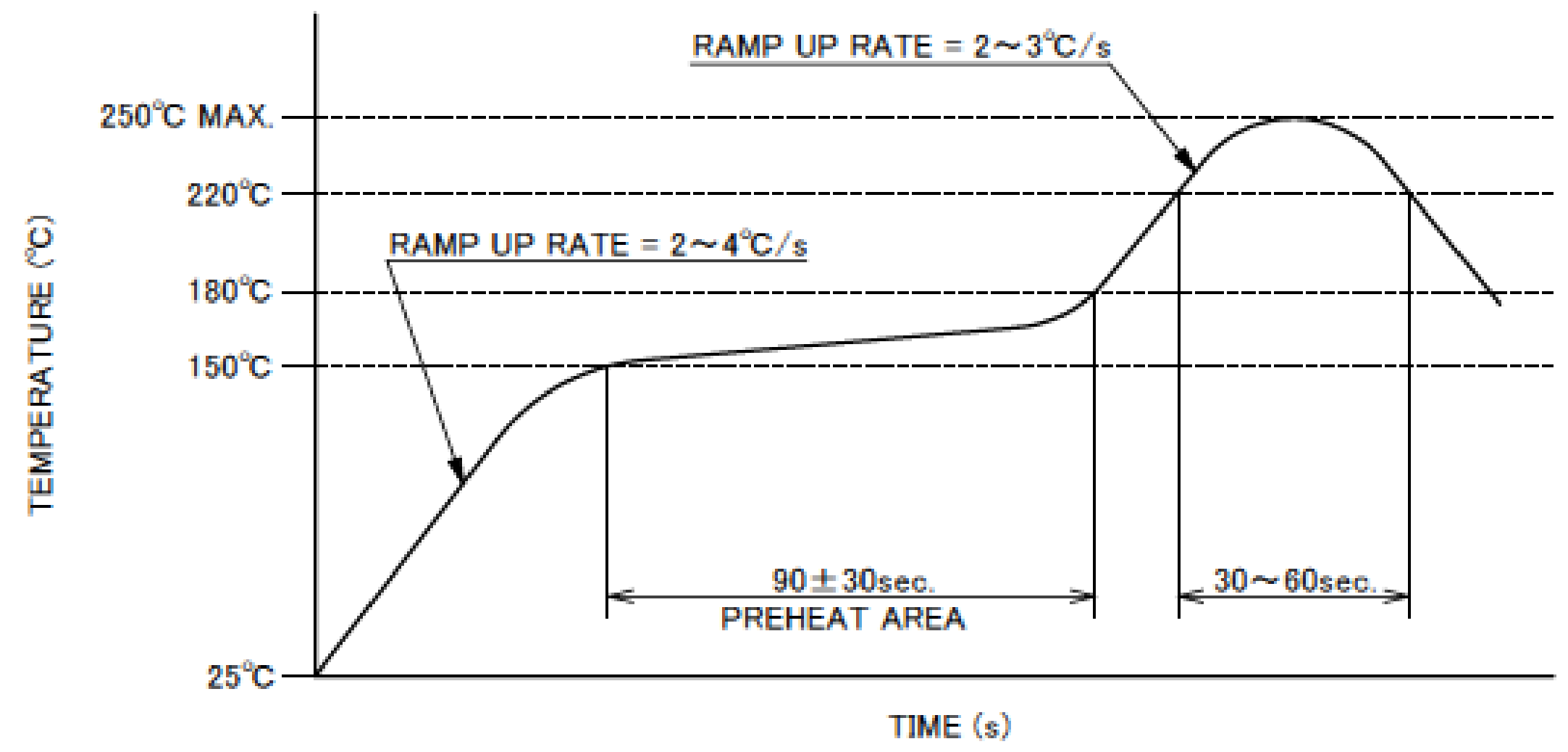
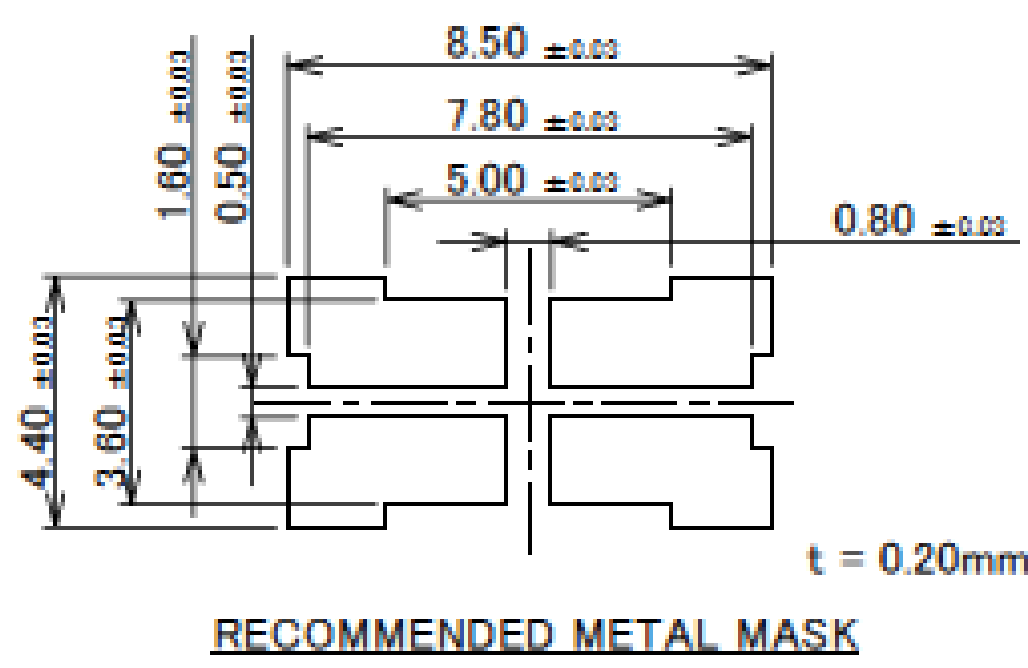
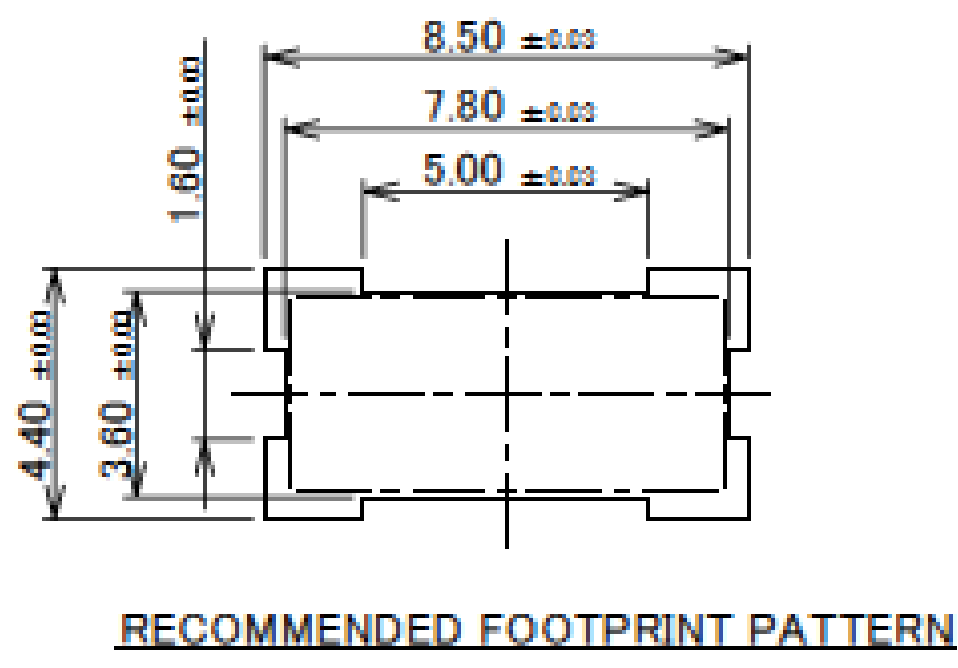


NOTES.  
 1. APPLICABLE CONNECTOR  
 AP-10 PLUG H=7.5 mm (P/N: 3531-0001-00T)  
 AP-10 PLUG H=14.5 mm (P/N: 3539-0001-45T)

NO.	DESCRIPTION	MATERIAL	FINISH , REMARKS
1	RECEPTACLE	COPPER ALLOY	Sn 1.00~4.50 μm OVER Ni 1.00~4.50 μm

# AP Series Receptacle

PART NO.
3532-0001-00T



Rev.5

ITEMS	SPECIFICATION
APPLICABLE CONNECTOR PART No.	3531-0001-00T 3539-0001-45T
RATING AMPERAGE	16A DC
TEMPERATURE RISE	△15.0°C Max.
COMPONENT TEMPERATURE(ENERGIZATION)	233~378K(-40°C~+105°C)
OPERATING HUMIDITY	85% MAX.(NON-CONDENSING)
CONTACT RESISTANCE	INITIAL : 1.0 mohm MAX. / AFTER TEST : 1.0 mohm MAX.
DURABILITY	3 CYCLES
MATING FORCE	15.0 N MAX.
COPLANARITY	0.10mm MAX.
PRODUCT SPECIFICATION	PRS-2616
TEST REPORT	TR-19063
PACKING STANDARD	PST-17121
APPEARANCE CRITERIA No.	QLS-A***

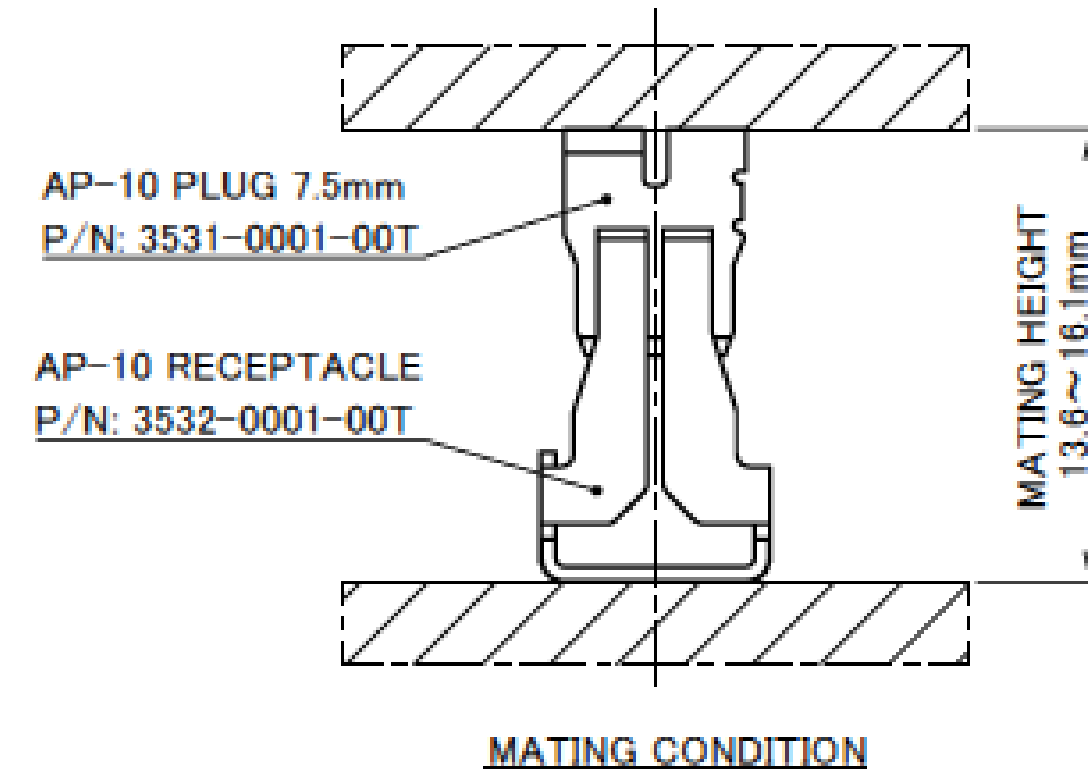
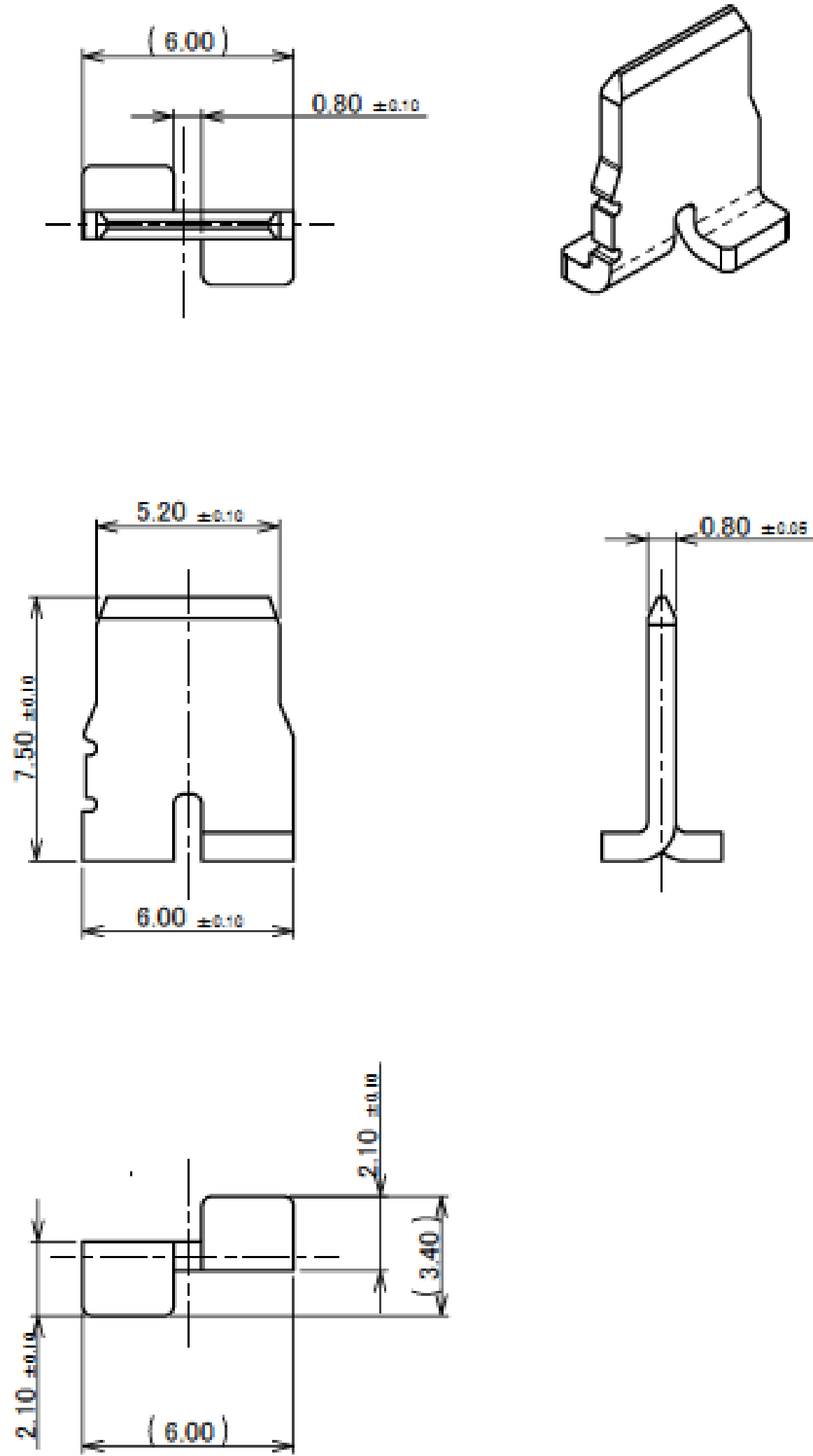
Rev.5

# AP Series Plug

Recommended P/N	3531-0001-00T
PART NO.	
3531-0001-00T	



IATF 16949 Cetified [Planned]

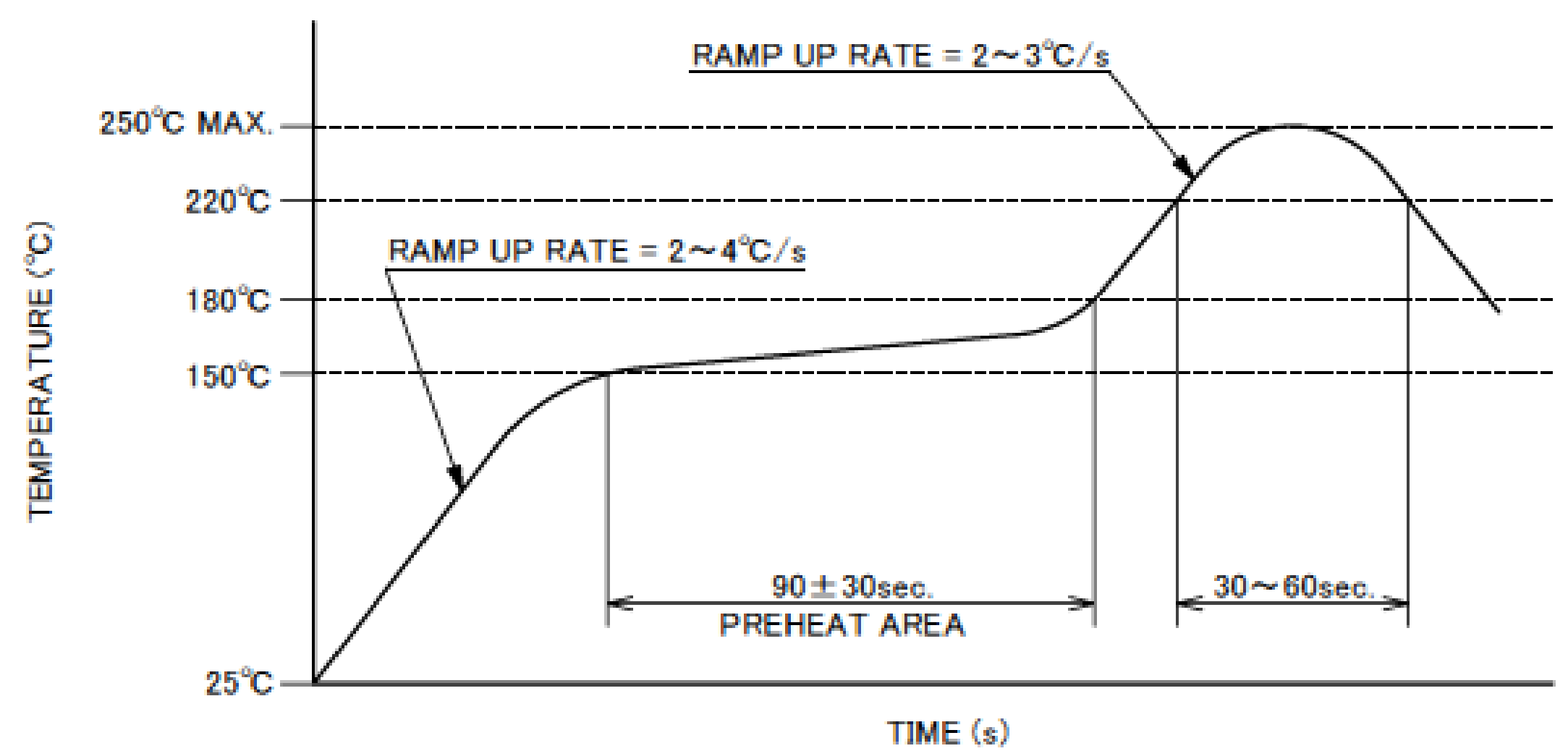
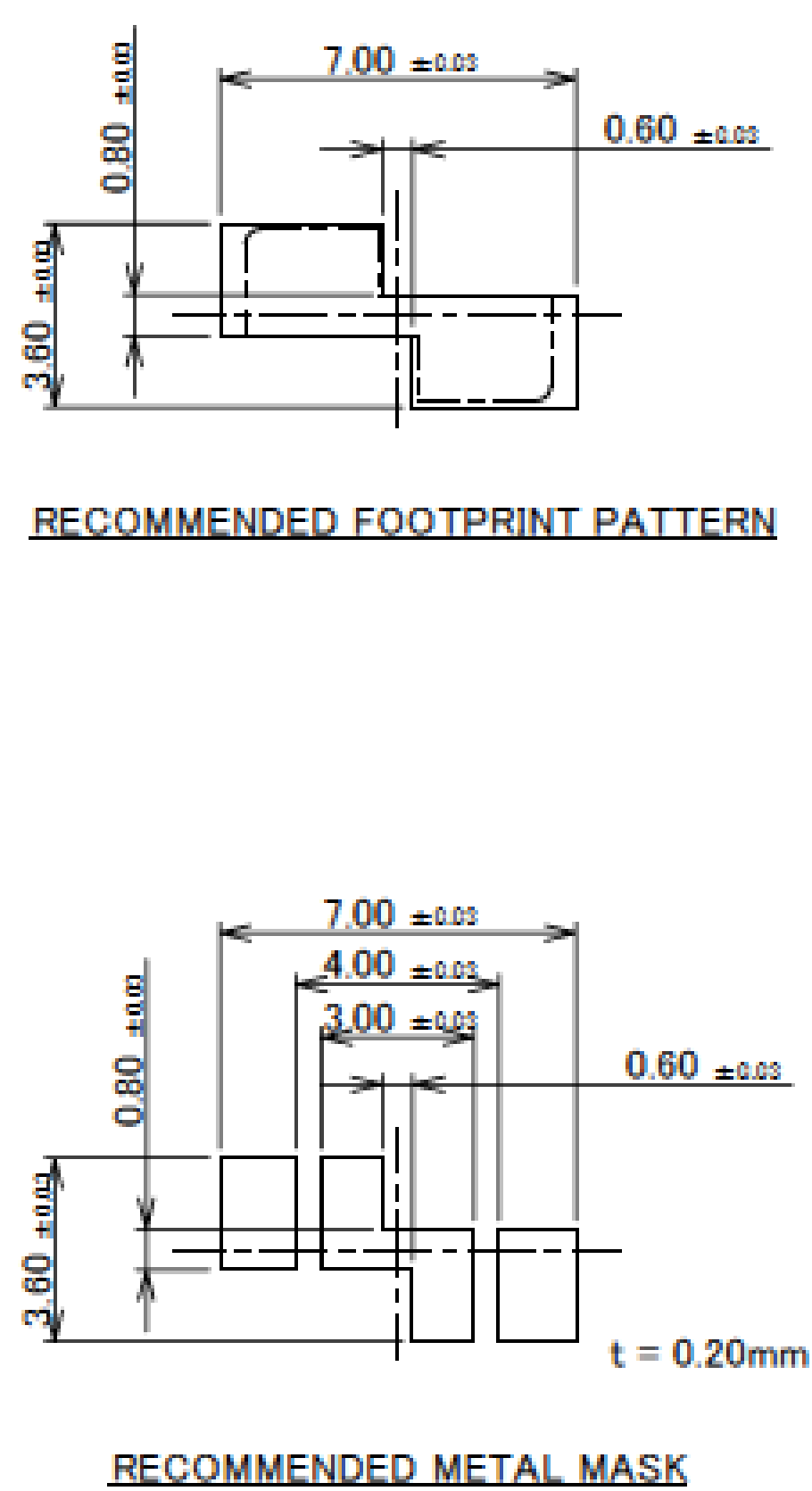


NOTES.  
1. APPLICABLE CONNECTOR  
AP-10 RECEPTACLE (P/N: 3532-0001-00T)

NO.	DESCRIPTION	MATERIAL	FINISH, REMARKS
1	PLUG	BRASS	Sn 1.00 μm ~ 4.50 μm OVER Ni 1.00 μm ~ 4.50 μm

Rev.5

PART NO.	
3531-0001-00T	



REFLOW TEMPERATURE PROFILE  
SENJU METAL INDUSTRY CO., LTD. : M705-SHF(Sn96.5 Ag3.0 Cu0.5)

Rev.5

# AP Series Plug

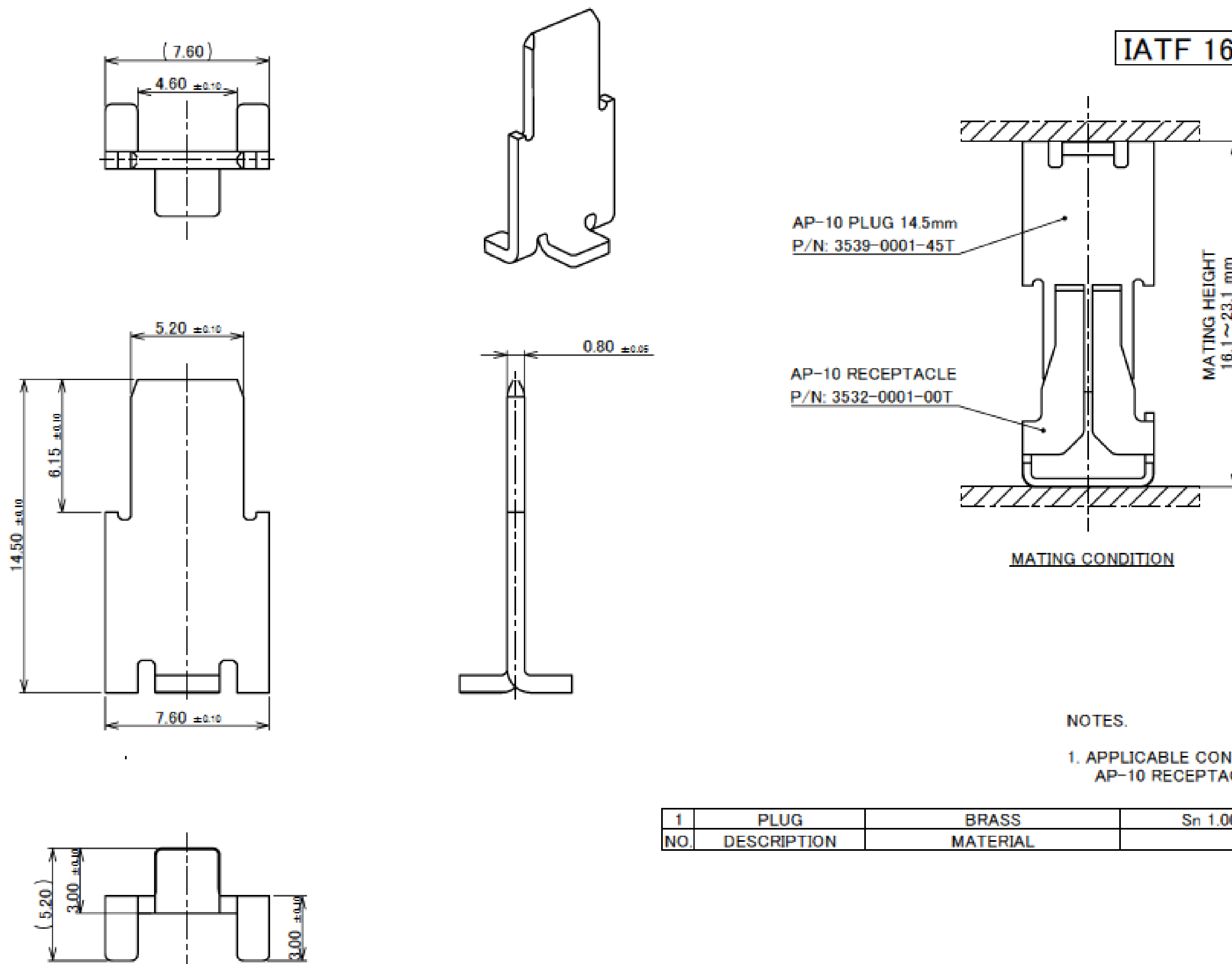
ITEMS	SPECIFICATION
APPLICABLE CONNECTOR PART No.	3532-0001-00T
RATING AMPERAGE	16A DC
TEMPERATURE RISE	△15.0°C MAX.
COMPONENT TEMPERATURE(ENERGIZATION)	233~378K(-40°C~+105°C)
OPERATING HUMIDITY	85% MAX.(NON-CONDENSING)
CONTACT RESISTANCE	INITIAL : 1.0 mohm MAX. / AFTER TEST : 1.0 mohm MAX.
DURABILITY	3 CYCLES
MATING FORCE/UNMATING FORCE	15.0 N MAX./15.0 N MAX.
COPLANARITY	0.10mm MAX.
PRODUCT SPECIFICATION	PRS-2616
TEST REPORT	TR-19063
PACKING STANDARD	PST-17120
APPEARANCE CRITERIA No.	QLS-A***

Rev.5

Recommended P/N	3539-0001-45T
PART NO	
3539-0001-45T	



IATF 16949 Cetified [Planned]



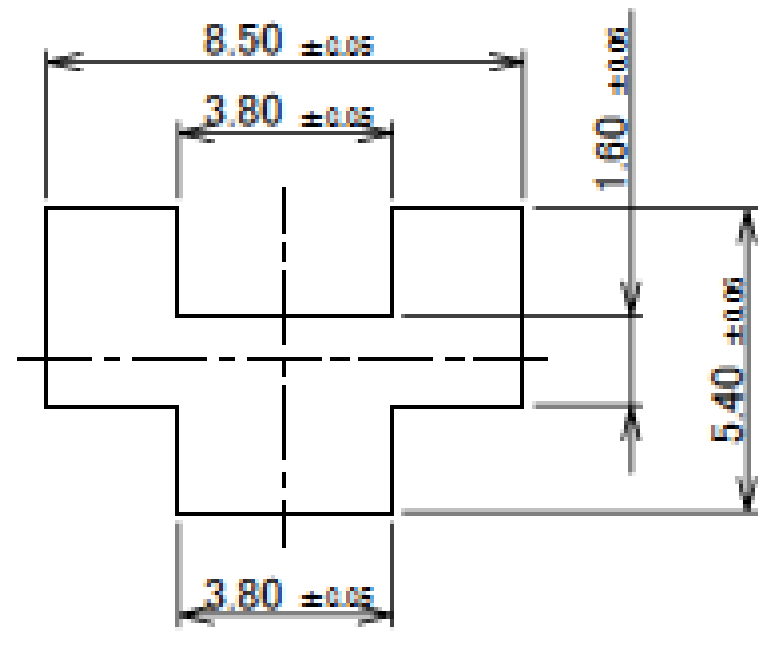
- NOTES.
1. APPLICABLE CONNECTOR  
AP-10 RECEPTACLE (P/N: 3532-0001-00T)

NO.	DESCRIPTION	MATERIAL	REMARKS, FINISH
1	PLUG	BRASS	Sn 1.00~4.50 μm OVER Ni 1.00~4.50 μm

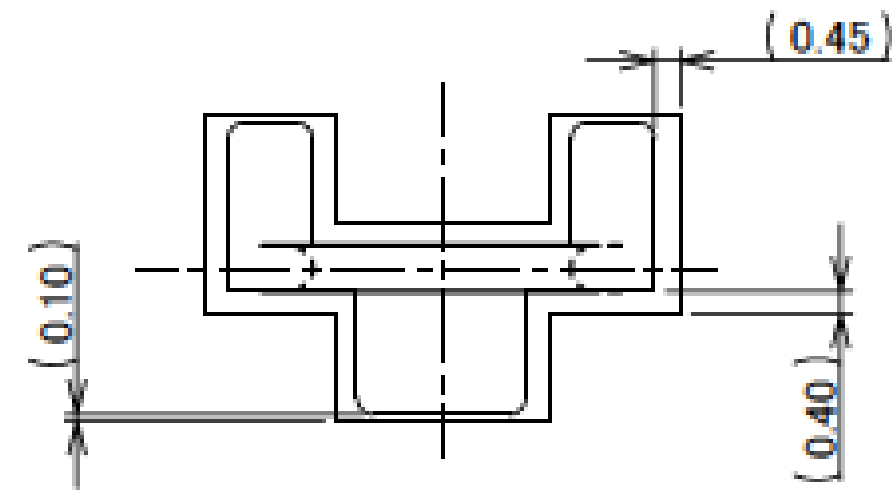
Rev.2

# AP Series Plug

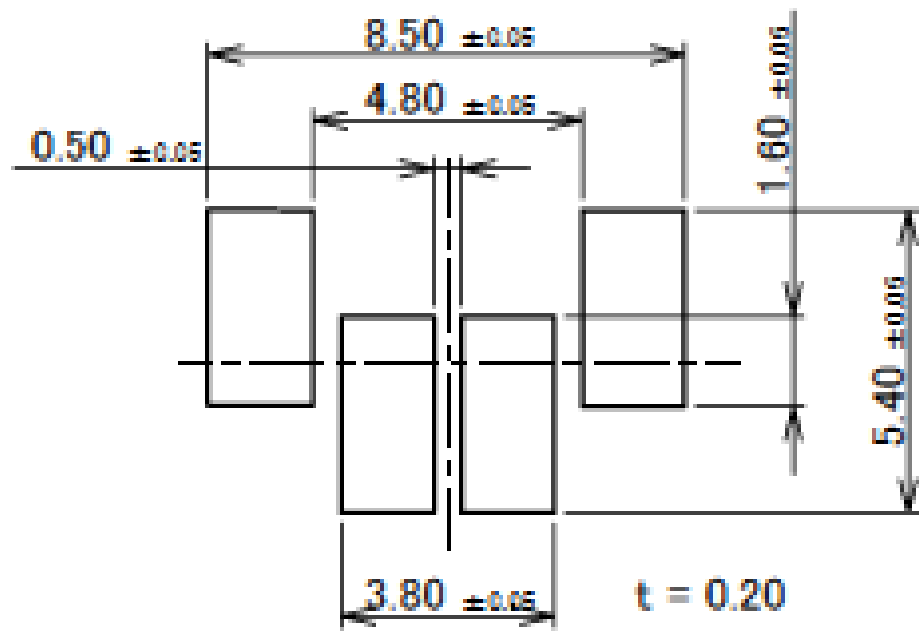
PART NO.  
3539-0001-45T



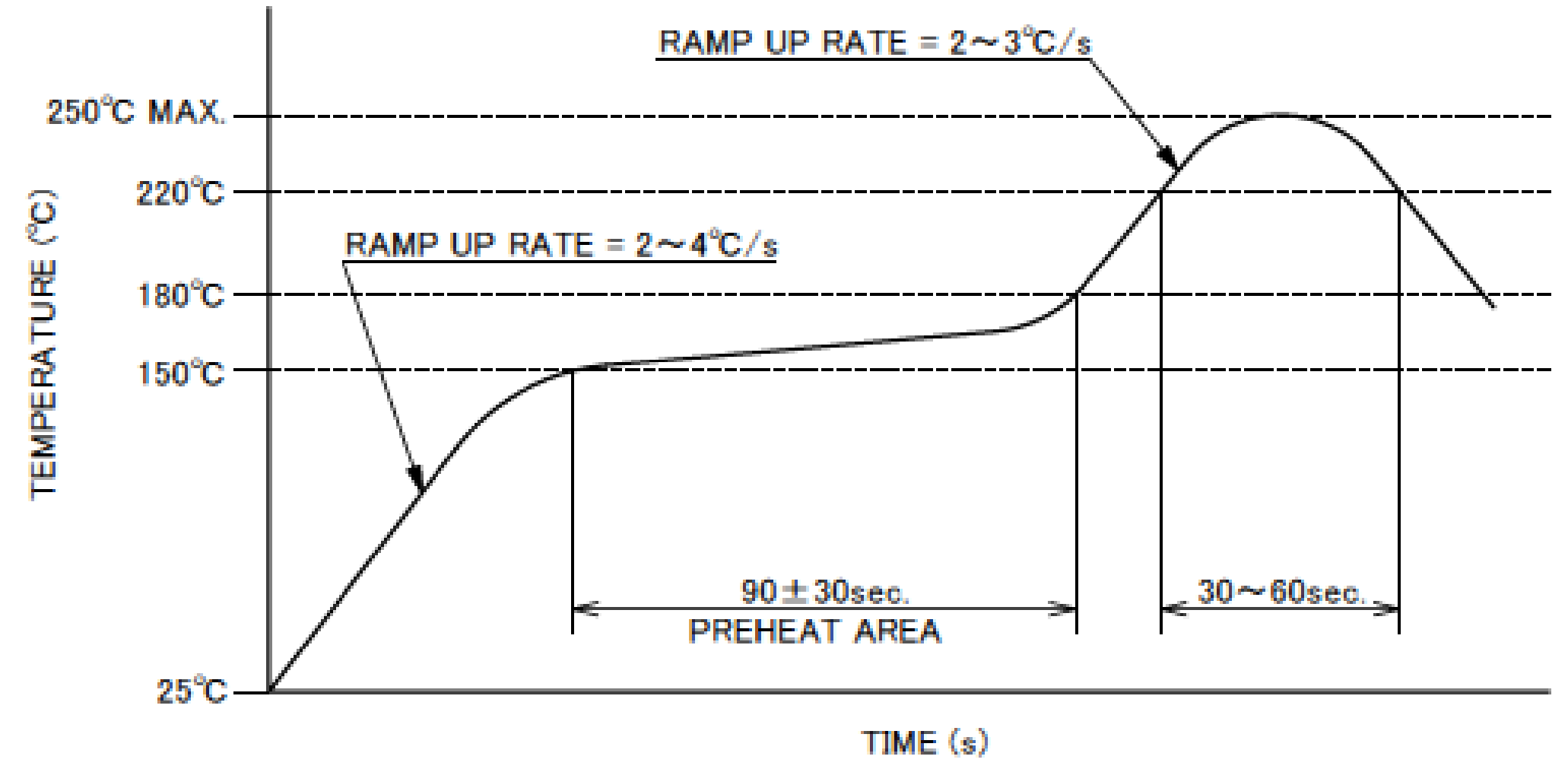
RECOMMENDED PATTERN LAYOUT



CONNECTOR ON RECOMMENDED PATTERN



RECOMMENDED METAL MASK LAYOUT



REFLOW TEMPERATURE PROFILE  
SENJU METAL INDUSTRY CO., LTD. : M705-SHF(Sn96.5 Ag3.0 Cu0.5)

Rev.2

ITEMS	SPECIFICATION
APPLICABLE CONNECTOR PART No.	3532-0001-00T
RATING AMPERAGE	16A DC
TEMPERATURE RISE	△15.0°C MAX
COMPONENT TEMPERATURE (ENERGIZATION)	233~378K(-40°C~105°C)
OPERATING HUMIDITY	85% MAX.(NON-CONDENSING)
CONTACT RESISTANCE	INITIAL : 1.0 mohm MAX. / AFTER TEST : 1.0 mohm MAX.
DURABILITY	3 CYCLES
MATING FORCE/UNMATING FORCE	15.0 N MAX./15.0 N MAX.
COPLANARITY	0.10mm MAX.
PRODUCT SPECIFICATION	PRS-2616
TEST REPORT	TR-19063
PACKING STANDARD	PST-22010
APPEARANCE CRITERIA No.	QLS-A***



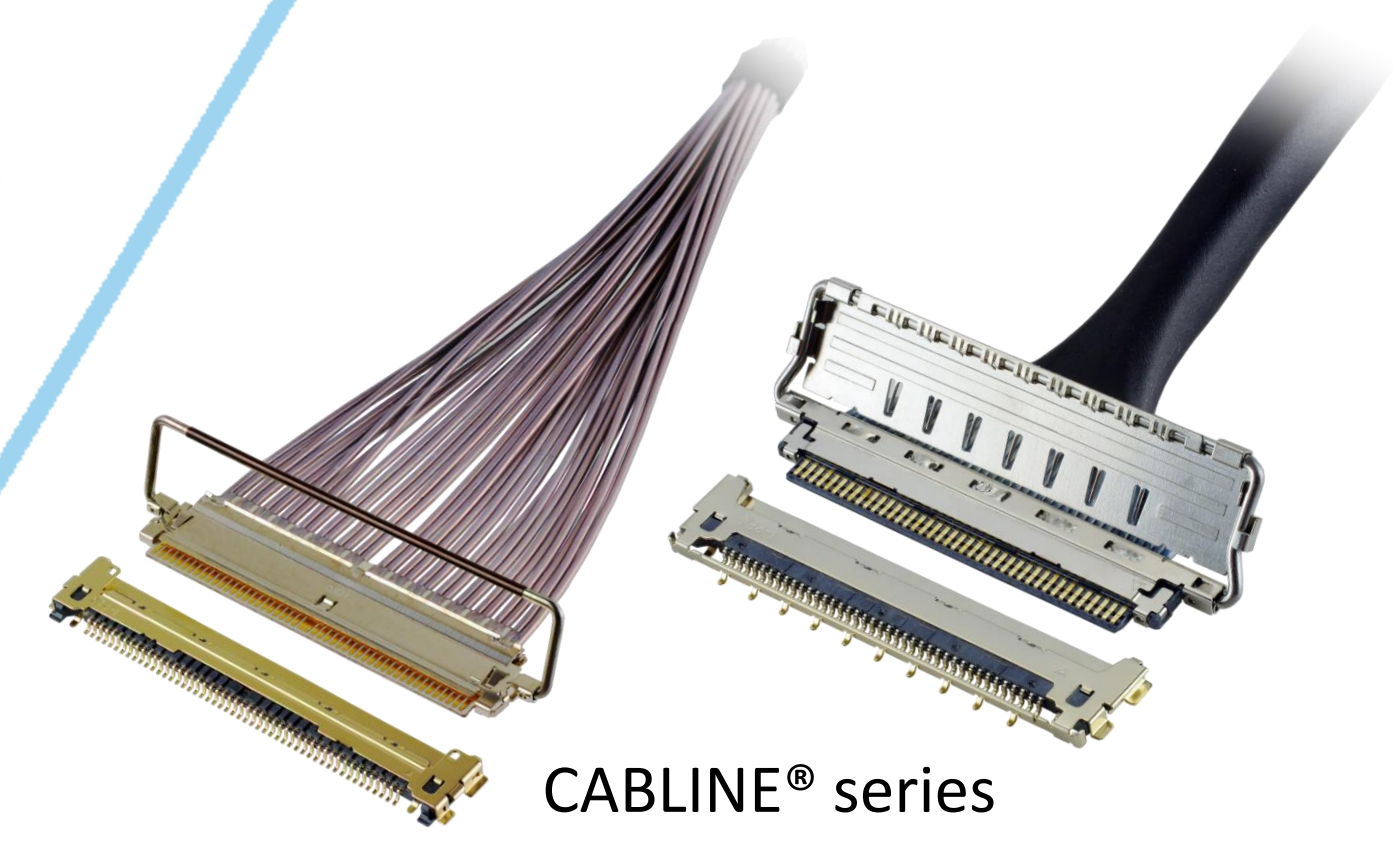
# Custom Connectors Available

 RF Connector

MHF® series



Micro-coaxial/Twinax/  
Discrete Wire Connector



CABLINE® series



Optical Module

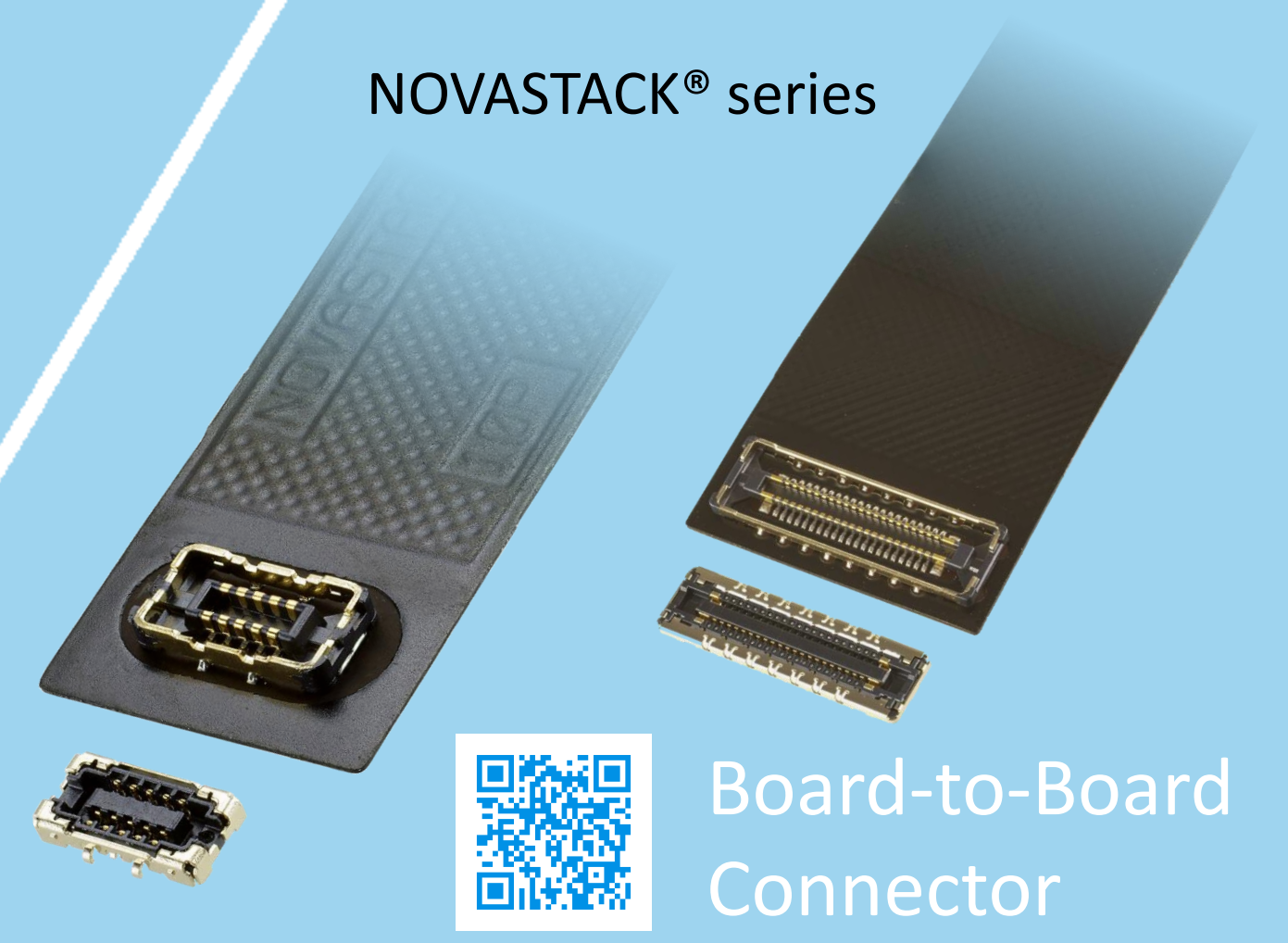
LIGHTPASS® series



NOVASTACK® series



Board-to-Board Connector



Power Connector/  
Terminal

AP series

ISH® series



MINIFLEX® series

EVAFLEX® series



FPC FFC Connector



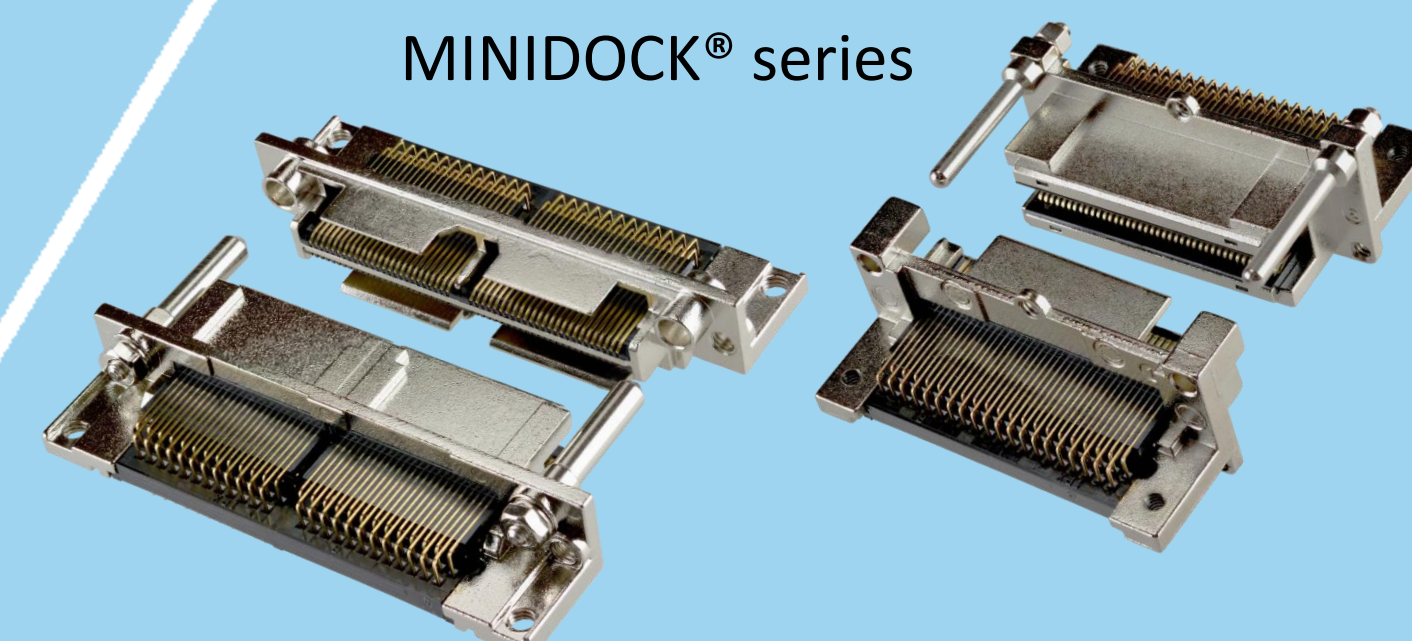
Inquiry



MINIDOCK® series



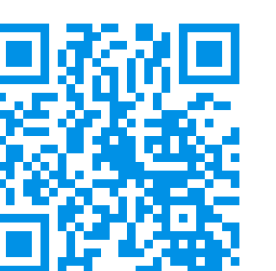
I/O Connector



I-PEX, MHF, CABLINE, LIGHTPASS, NOVASTACK, ISH, IARPB, MINIFLEX, EVAFLEX, MINIDOCKS and ZenShield are registered trademarks of I-PEX Inc. Please note that the contents in the catalog might be changed without prior notification. I-PEX Inc. assumes no responsibility for any inaccuracies or obligation to update information on these documents. Please be sure to read and understand the latest "Precautions for Use" and "Instruction Manual" before you use our products. We shall not be responsible for any defects, damages or troubles in case you use our products without following the precautions for use. Please feel free to contact our sales representatives when you use our products for any applications that require very high reliability and safety, or that relate to human life (ex. nuclear power control, aerospace, transportation, medical equipment, safety equipment etc.).

Contact your sales representative or more detailed information.

[www.i-pex.com](http://www.i-pex.com)



# I-PEX

© I-PEX Inc. 2024  
All rights reserved