

AP-10

고온 환경에 대응하는 기판 대 기판 전원 단자, Power Electronics 장치의 소형화에 공헌, 결합 높이 차이에도 대응 가능합니다.

Product Specifications:

Mating type		Vertical
Wiping Length (mm)		2.55 (Plug: 7.5) 4.80 (Plug 14.5)
Size (mm)	Height (mm)	13.6 ~ 16.1 (Plug: 7.5) 16.1 ~ 23.1 (Plug: 14.5)
	Width (mm)	7.6 (Rece) 3.4 (Plug: 7.5) 5.2 (Plug: 14.5)
Depth	Depth	3.4 +/- 0.2 (Rece) 6.0 +/- 0.1 (Plug: 7.5) 7.6 +/- 0.1 (Plug: 14.5)

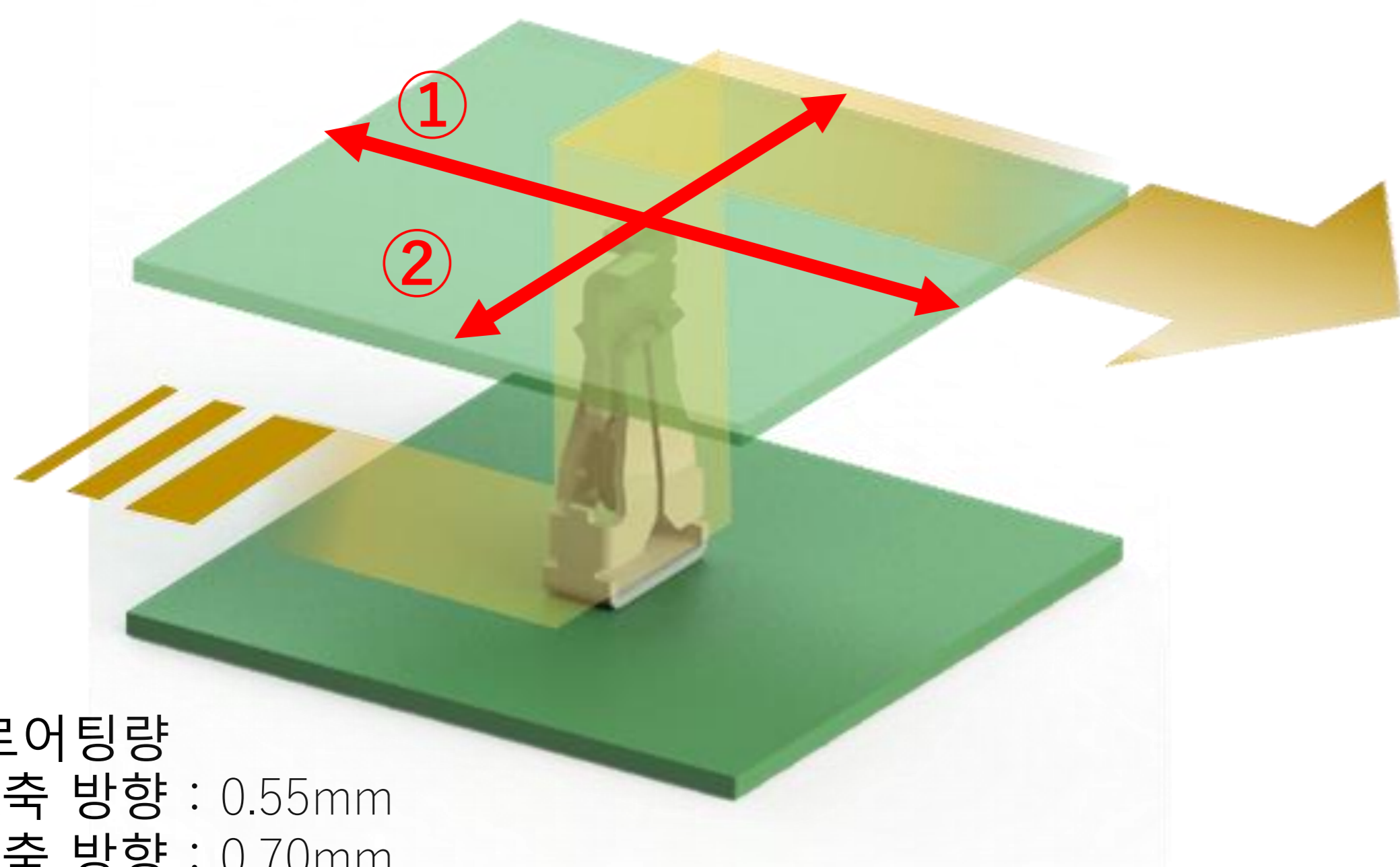
Product Specifications:

Operating Temperature	-40 - 105°C
Mating force	15N Max.
Contact resistance	1.0 mΩ Max.



*기재가 되어있지 않은 핀 수의 대응 여부에 대해서는 문의해 부탁드립니다.

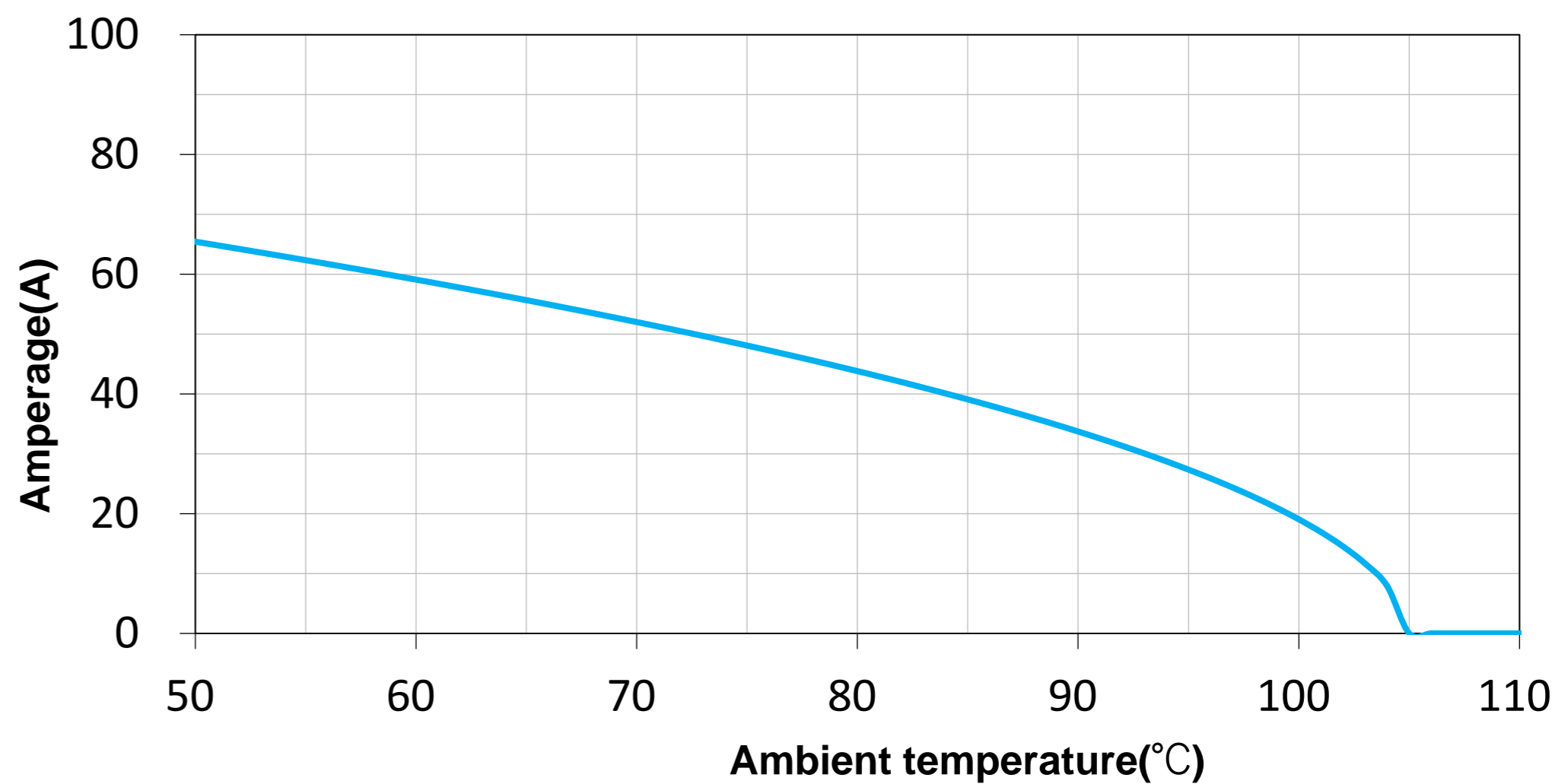
▶ 대전류, 고온 대응, 기판간 접촉 전원 단자



플로어팅량

- ① X축 방향 : 0.55mm
- ② Y축 방향 : 0.70mm

AP-10 allowable current curve

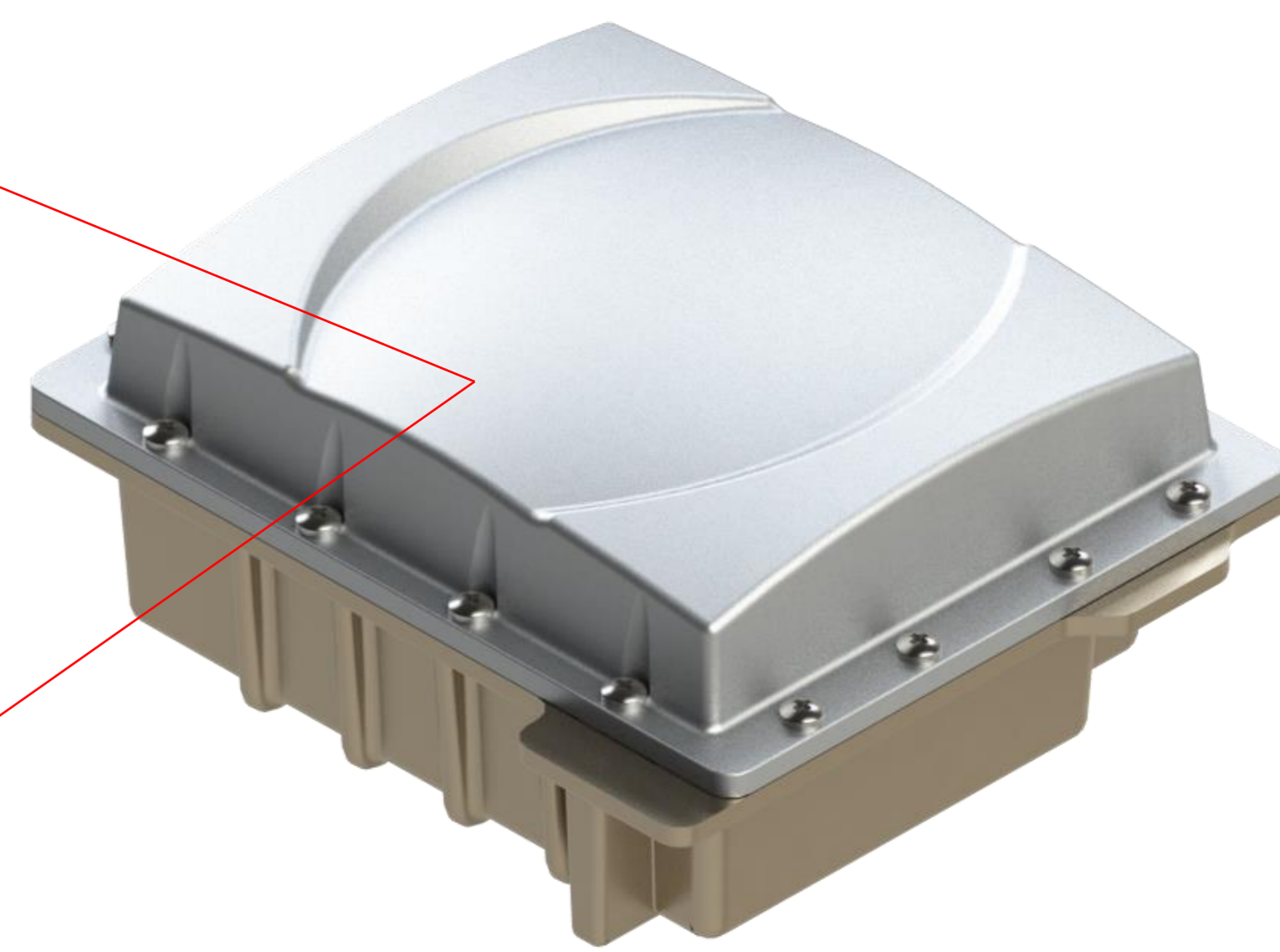


*상기 결과는 당사에서 정한 시험 조건에서 실측한 결과입니다.
*사용환경에 따라 달라지므로 자세한 내용은 문의해 주시기 바랍니다.

▶ 소형화를 통한 기판의 공간 절약 설계에 기여

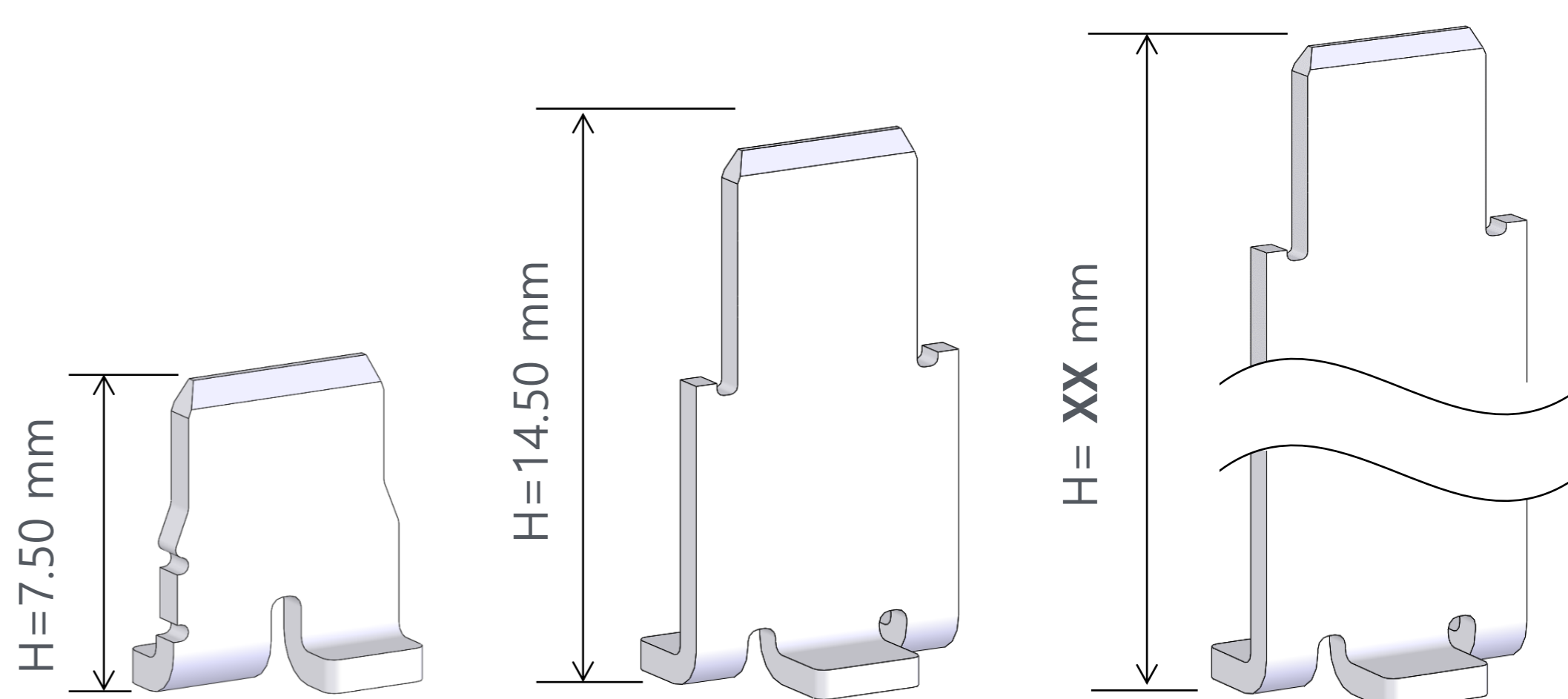
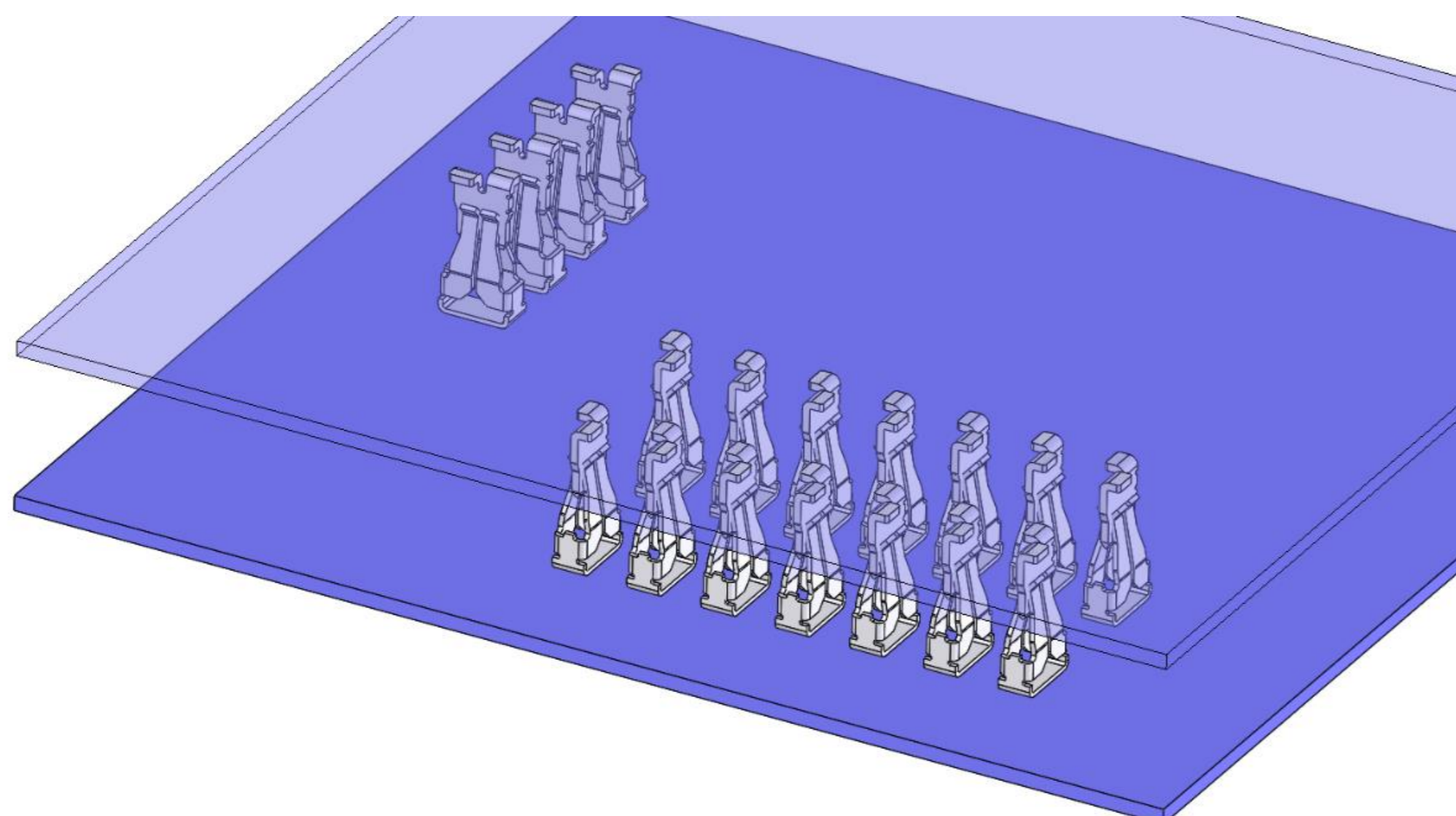
기존 접속 방식과의 비교

항목	금속 버스 바	기판 실장 커넥터
개념도		
점유 면적	X	O
작업성	△	O



DC-DC Converter나 Inverter 등 Power Electronics 장치에 최적함

▶ 공간에 맞춘 설계에 대응(커스텀)



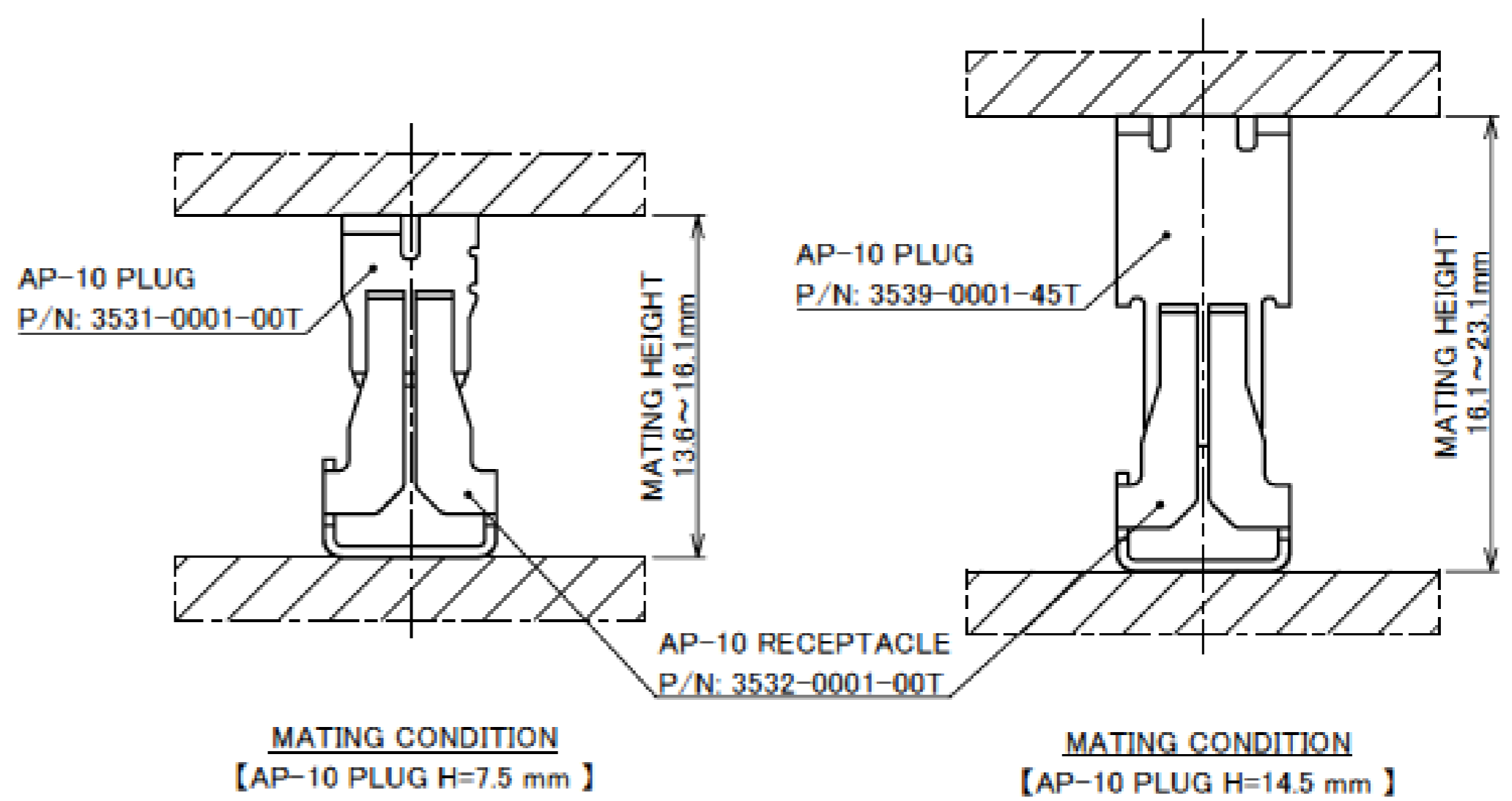
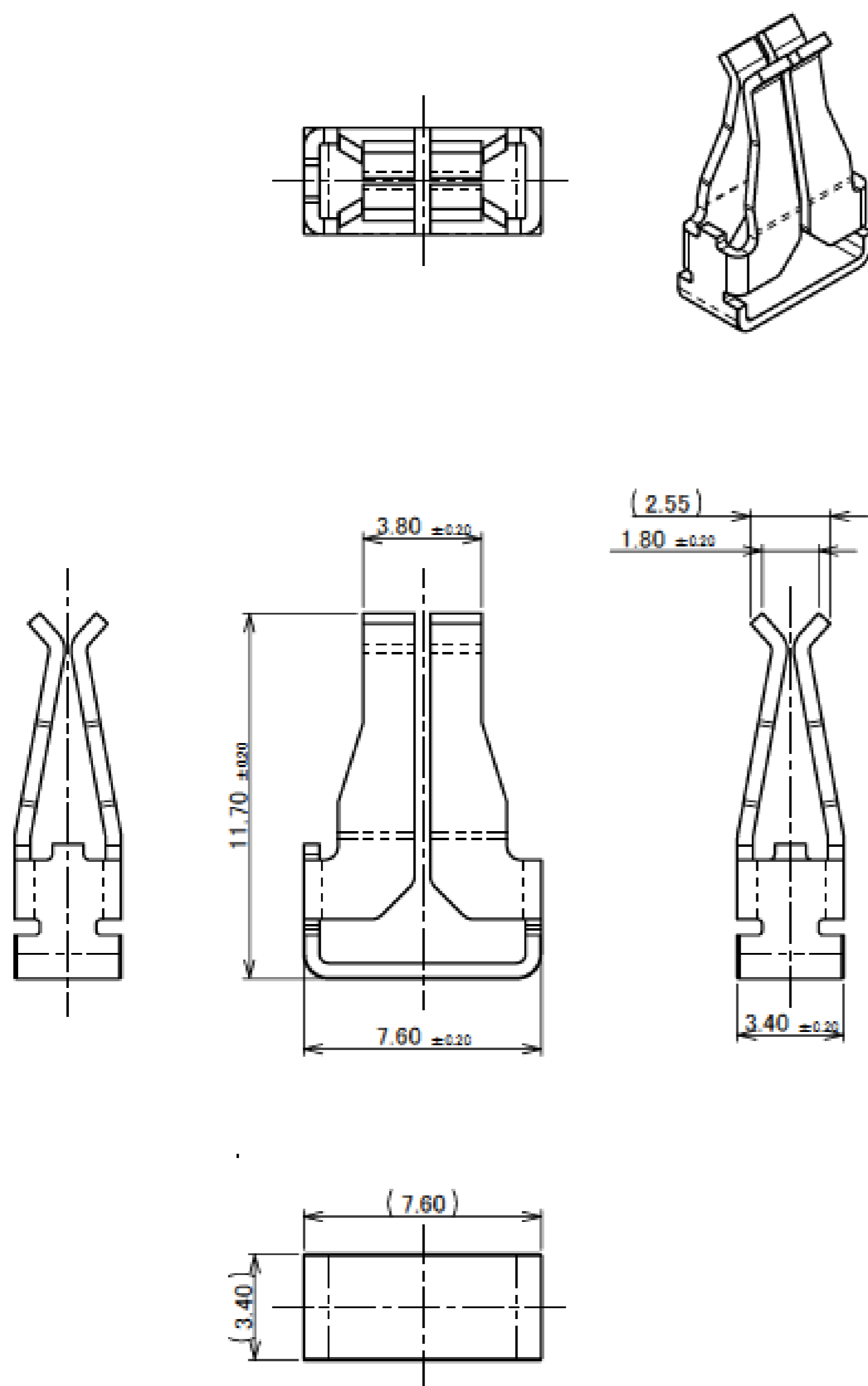
Component Parts Details

AP Series Receptacle

Recommended P/N	3532-0001-00T
PART NO.	
	3532-0001-00T



IATF 16949 Cetified [Planned]

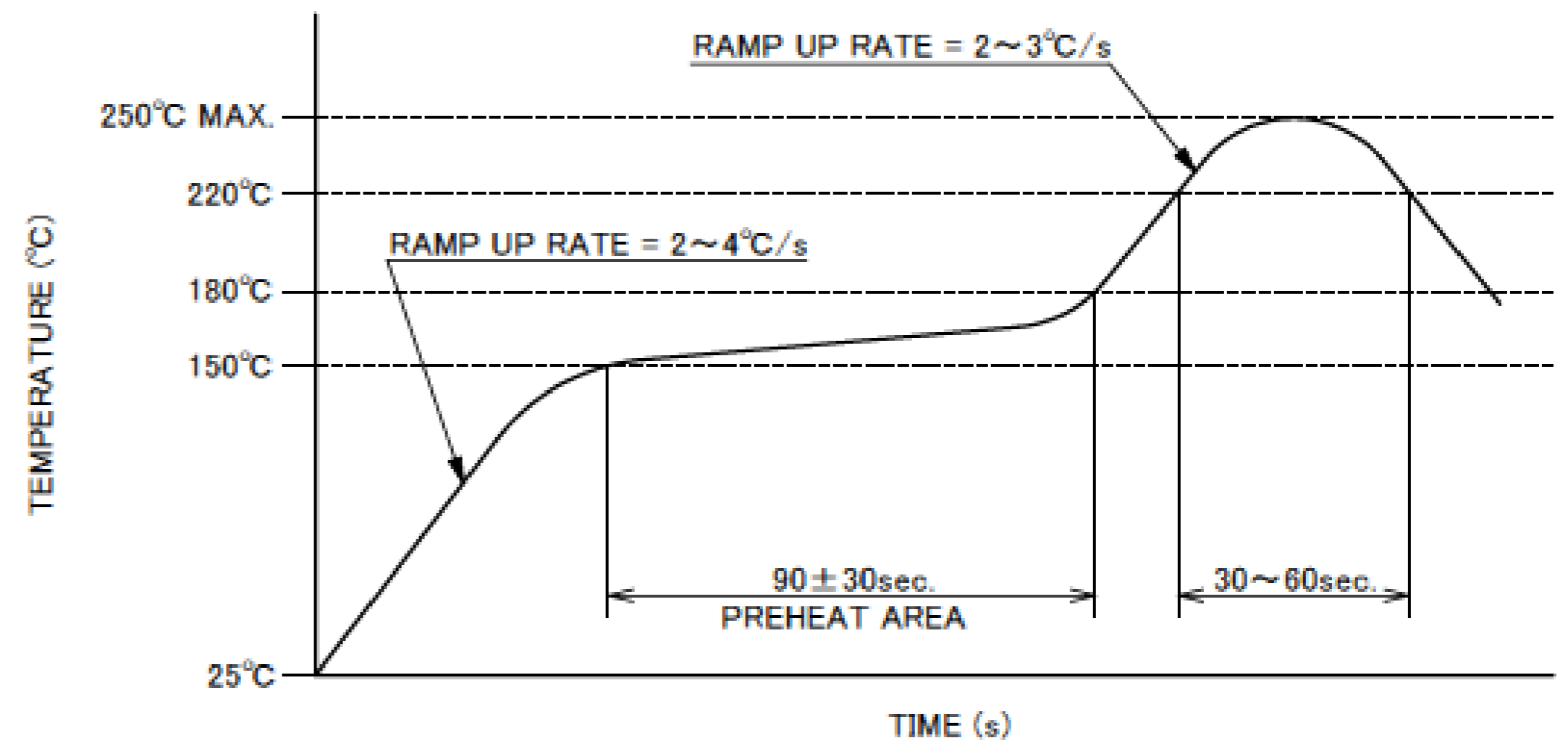
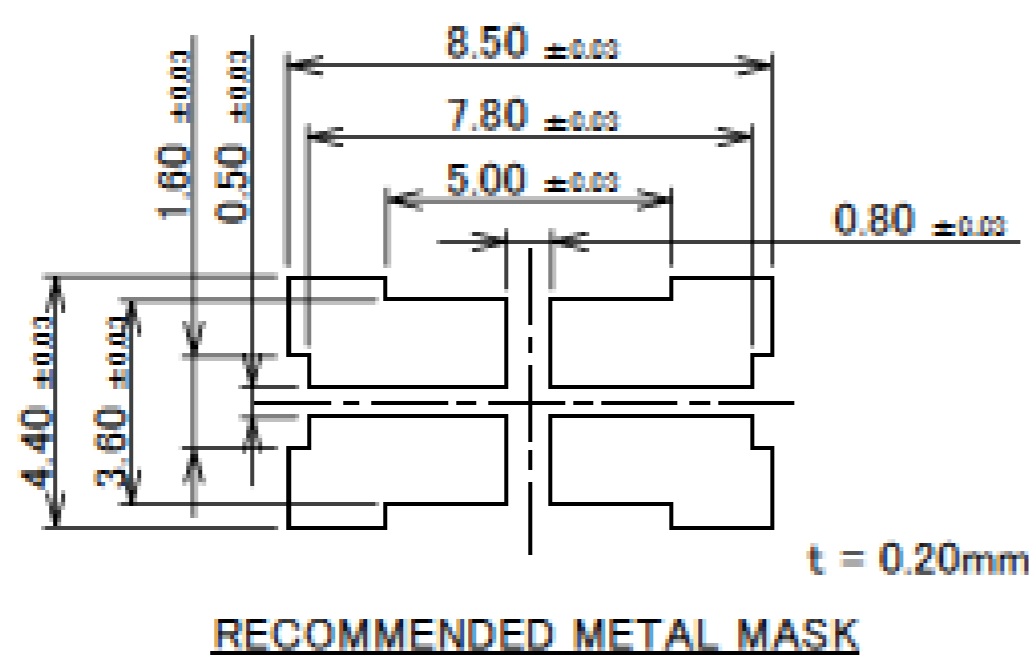
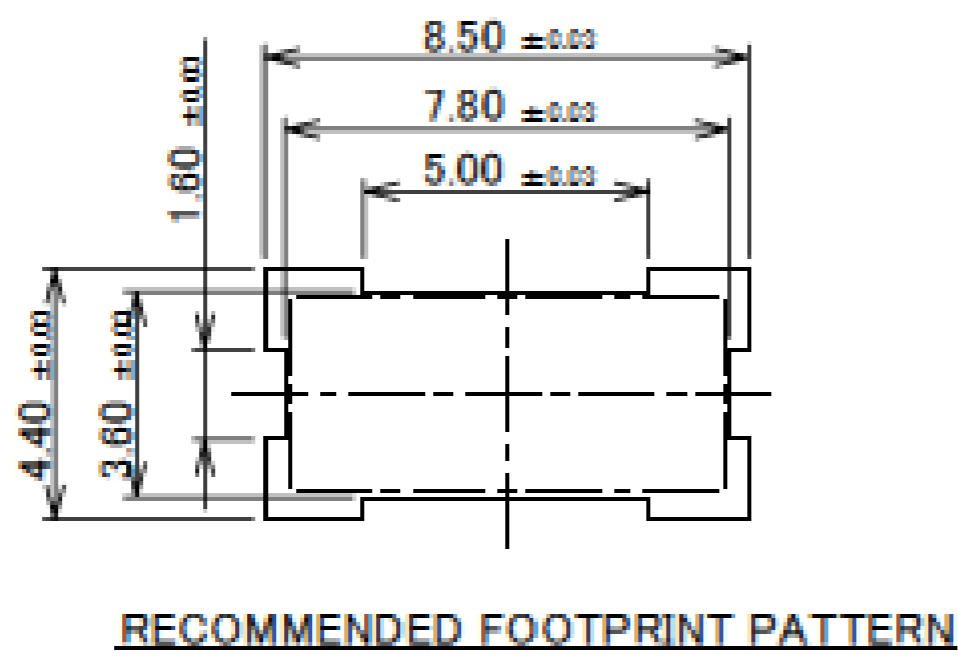


NOTES.
 1. APPLICABLE CONNECTOR
 AP-10 PLUG H=7.5 mm (P/N: 3531-0001-00T)
 AP-10 PLUG H=14.5 mm (P/N: 3539-0001-45T)

NO.	DESCRIPTION	MATERIAL	FINISH , REMARKS
1	RECEPTACLE	COPPER ALLOY	Sn 1.00~4.50 μm OVER Ni 1.00~4.50 μm

AP Series Receptacle

PART NO.
3532-0001-00T



Rev.5

ITEMS	SPECIFICATION
APPLICABLE CONNECTOR PART No.	3531-0001-00T 3539-0001-45T
RATING AMPERAGE	16A DC
TEMPERATURE RISE	△15.0°C Max.
COMPONENT TEMPERATURE(ENERGIZATION)	233~378K(-40°C~+105°C)
OPERATING HUMIDITY	85% MAX.(NON-CONDENSING)
CONTACT RESISTANCE	INITIAL : 1.0 mohm MAX. / AFTER TEST : 1.0 mohm MAX.
DURABILITY	3 CYCLES
MATING FORCE	15.0 N MAX.
COPLANARITY	0.10mm MAX.
PRODUCT SPECIFICATION	PRS-2616
TEST REPORT	TR-19063
PACKING STANDARD	PST-17121
APPEARANCE CRITERIA No.	QLS-A***

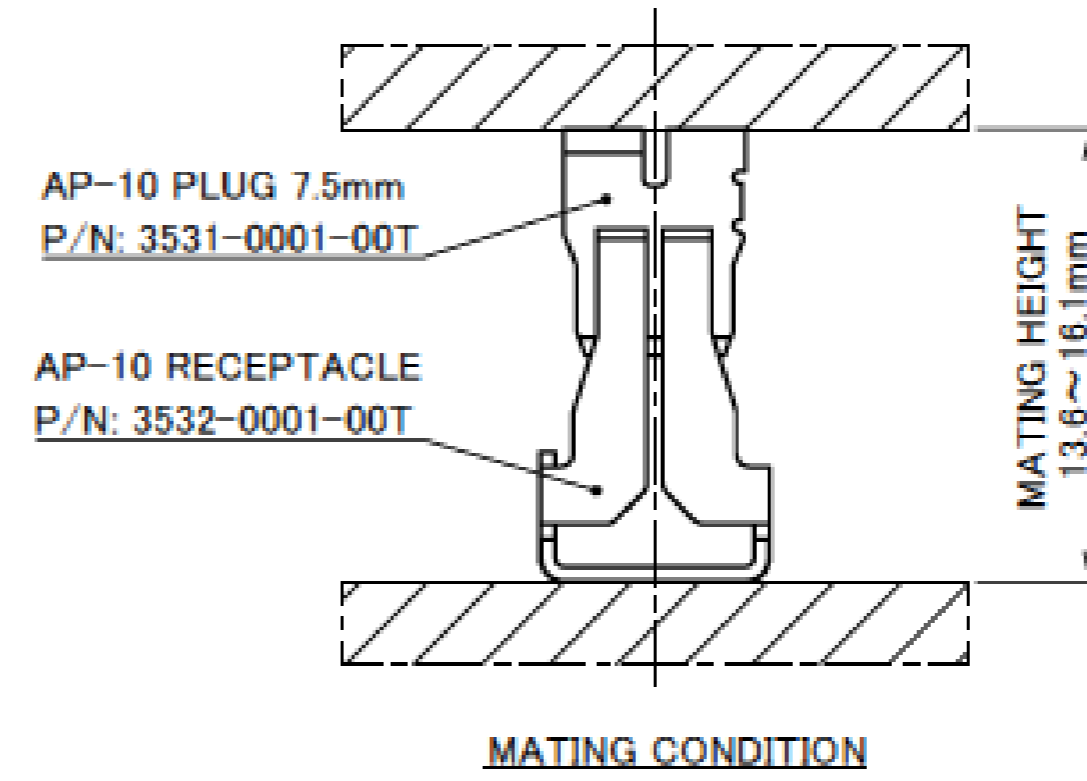
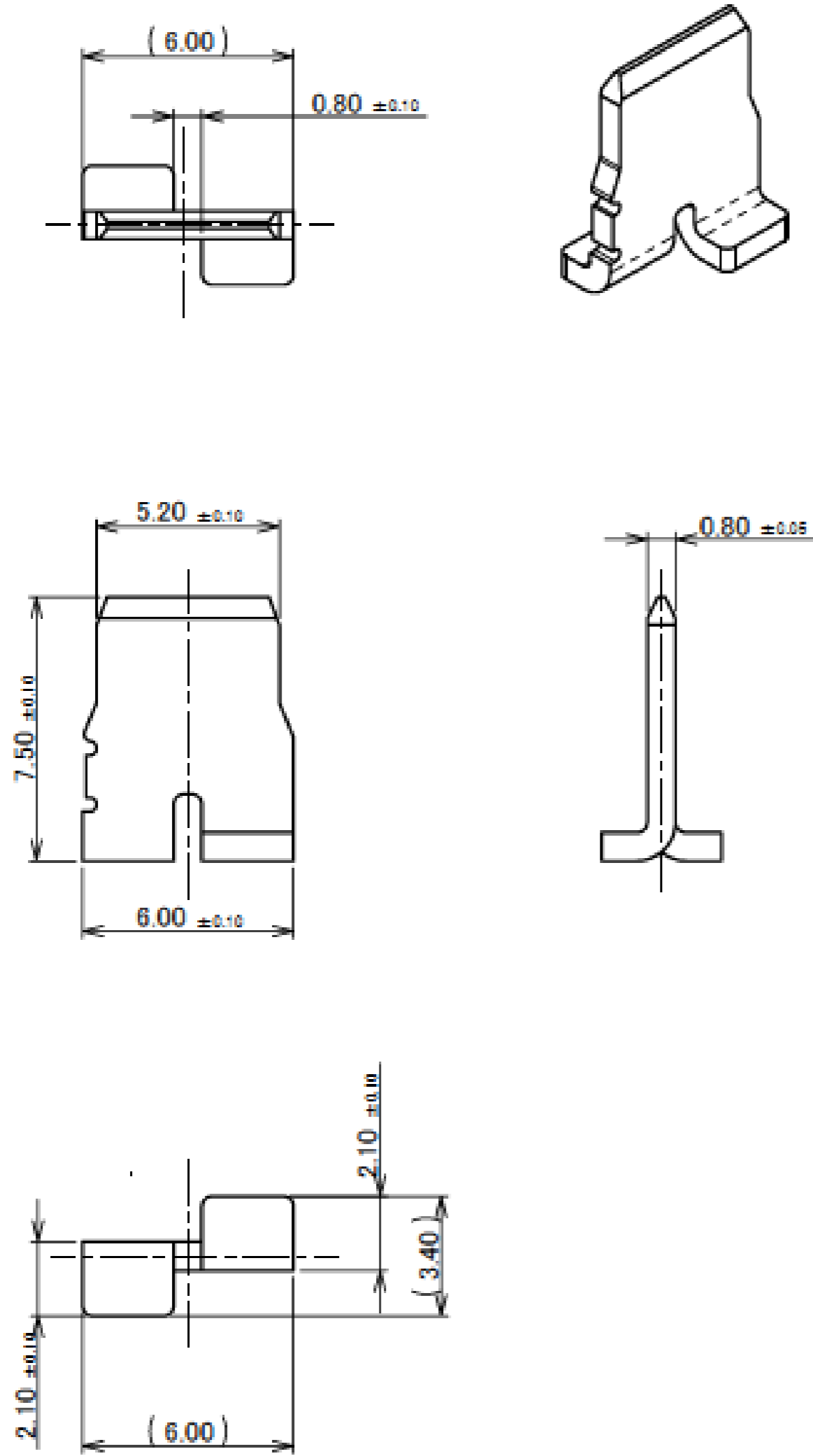
Rev.5

AP Series Plug

Recommended P/N	3531-0001-00T
PART NO.	
3531-0001-00T	



IATF 16949 Cetified [Planned]

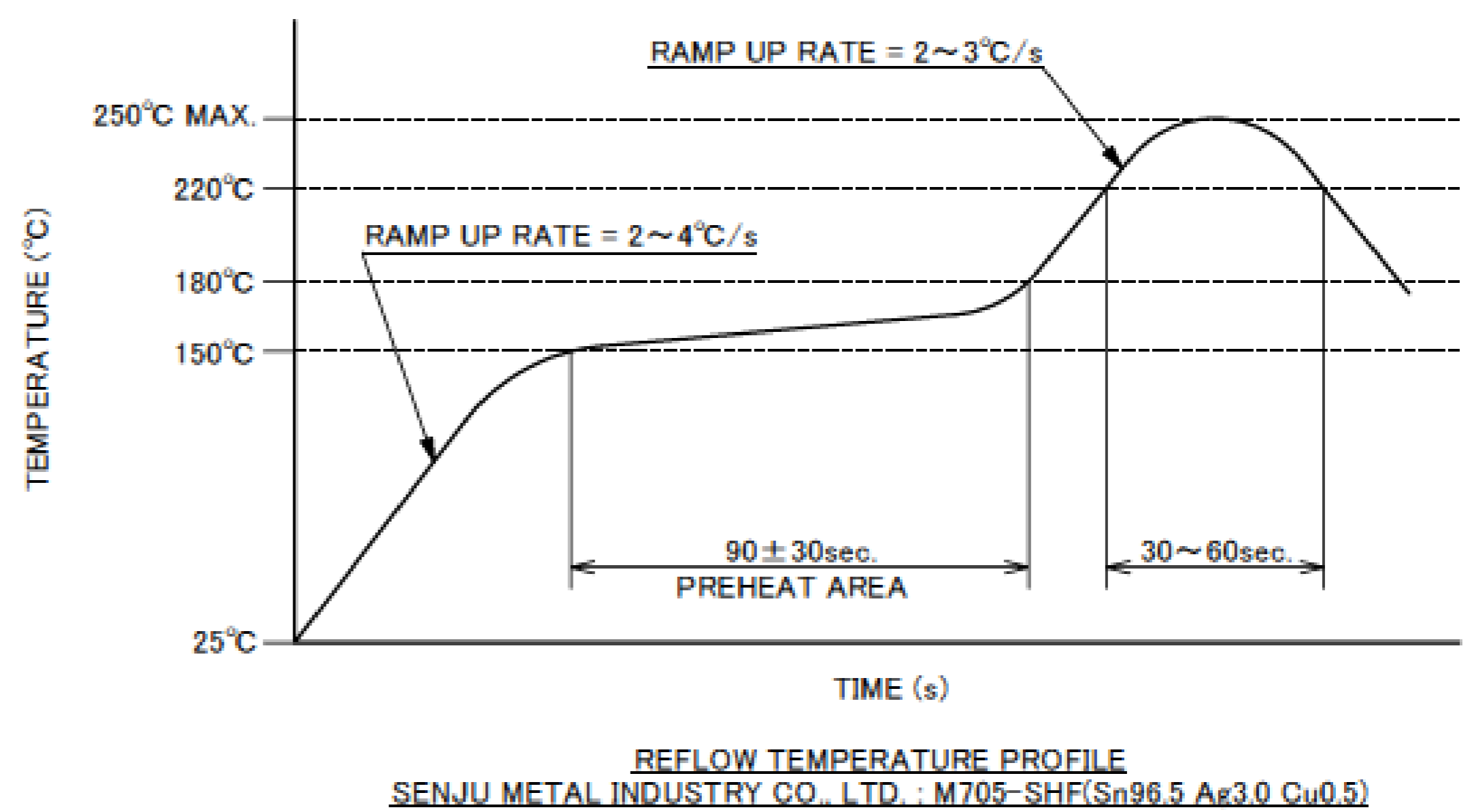
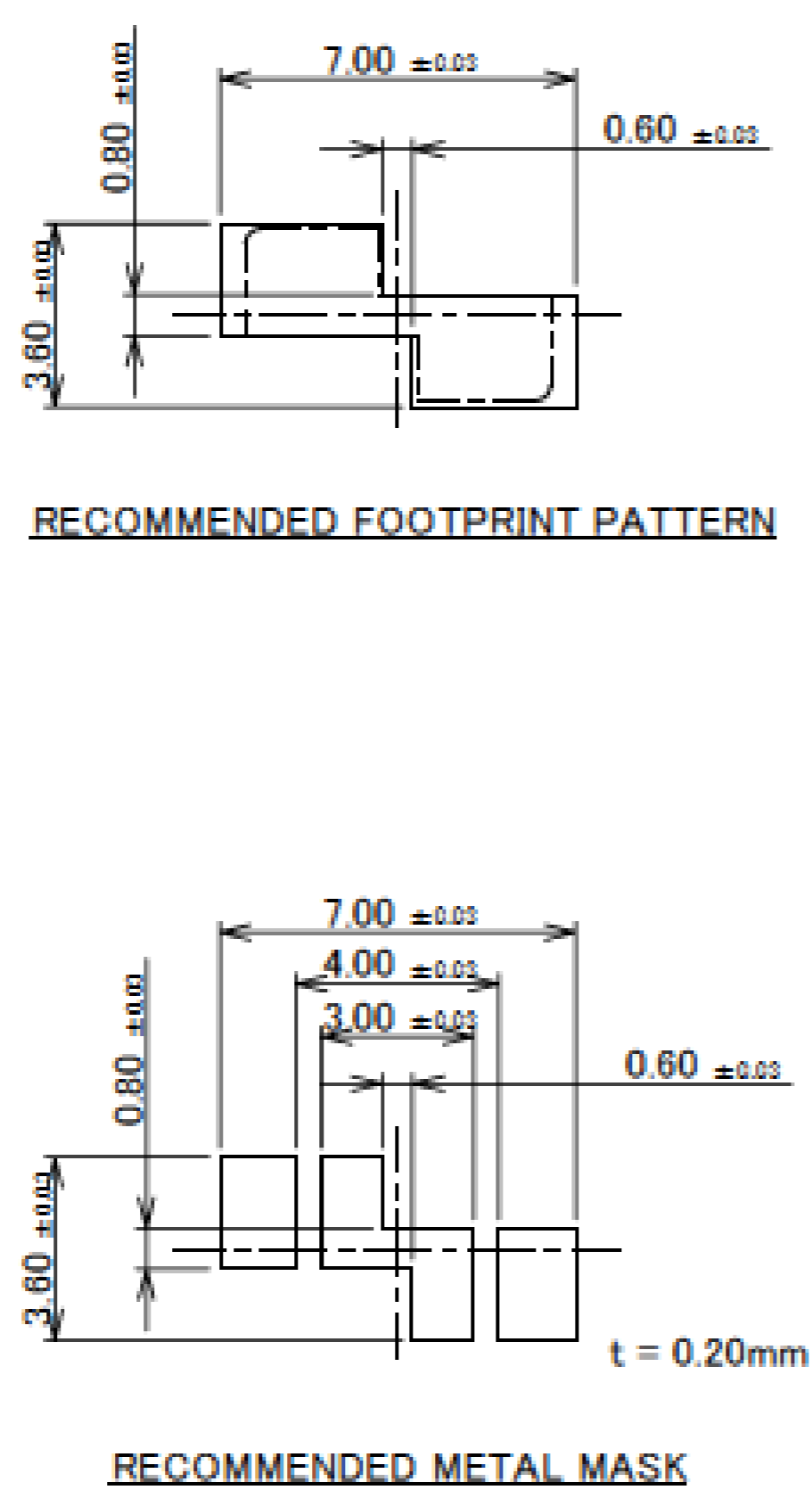


NOTES.
1. APPLICABLE CONNECTOR
AP-10 RECEPTACLE (P/N: 3532-0001-00T)

NO.	DESCRIPTION	MATERIAL	FINISH, REMARKS
1	PLUG	BRASS	Sn 1.00 μm ~ 4.50 μm OVER Ni 1.00 μm ~ 4.50 μm

Rev.5

PART NO.
3531-0001-00T



REFLOW TEMPERATURE PROFILE
SENJU METAL INDUSTRY CO., LTD. : M705-SHF(Sn96.5 Ag3.0 Cu0.5)

Rev.5

AP Series Plug

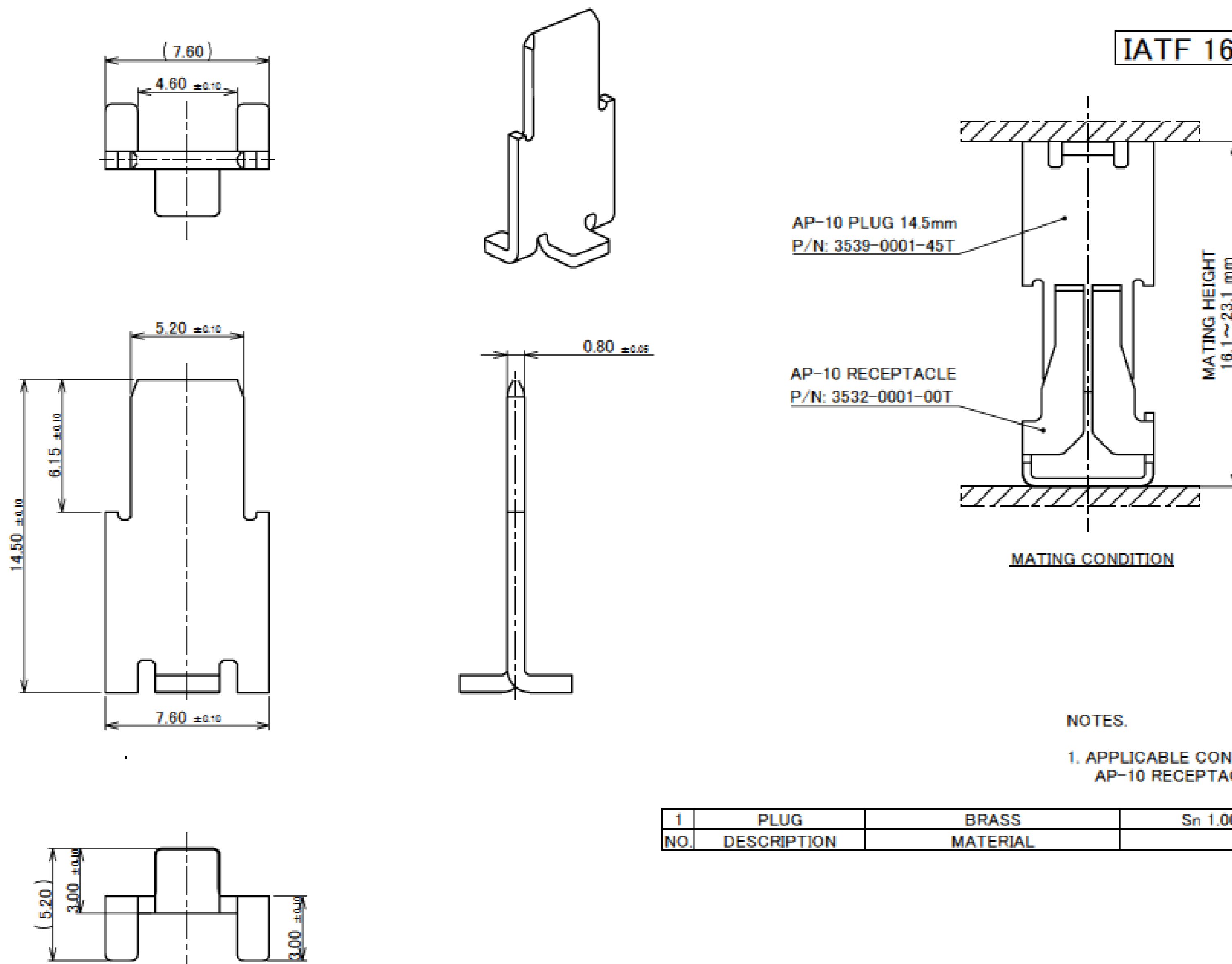
ITEMS	SPECIFICATION
APPLICABLE CONNECTOR PART No.	3532-0001-00T
RATING AMPERAGE	16A DC
TEMPERATURE RISE	△15.0°C MAX.
COMPONENT TEMPERATURE(ENERGIZATION)	233~378K(-40°C~+105°C)
OPERATING HUMIDITY	85% MAX.(NON-CONDENSING)
CONTACT RESISTANCE	INITIAL : 1.0 mohm MAX. / AFTER TEST : 1.0 mohm MAX.
DURABILITY	3 CYCLES
MATING FORCE/UNMATING FORCE	15.0 N MAX./15.0 N MAX.
COPLANARITY	0.10mm MAX.
PRODUCT SPECIFICATION	PRS-2616
TEST REPORT	TR-19063
PACKING STANDARD	PST-17120
APPEARANCE CRITERIA No.	QLS-A***

Rev.5

Recommended P/N	3539-0001-45T
PART NO	
3539-0001-45T	



IATF 16949 Cetified [Planned]



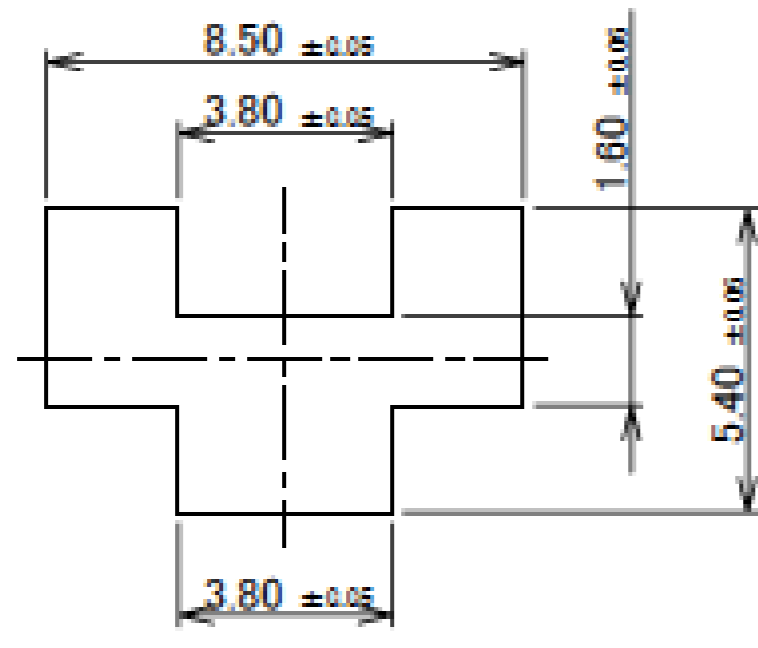
- NOTES.
1. APPLICABLE CONNECTOR
AP-10 RECEPTACLE (P/N: 3532-0001-00T)

NO.	DESCRIPTION	MATERIAL	REMARKS, FINISH
1	PLUG	BRASS	Sn 1.00~4.50 μm OVER Ni 1.00~4.50 μm

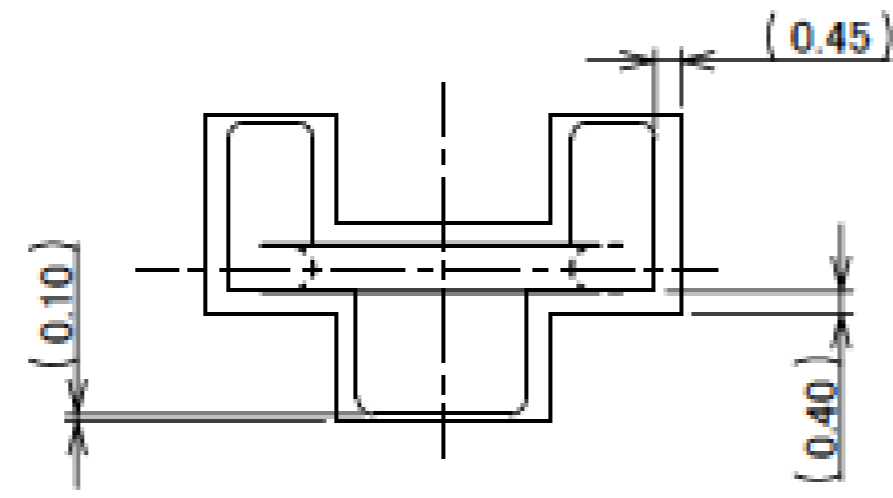
Rev.2

AP Series Plug

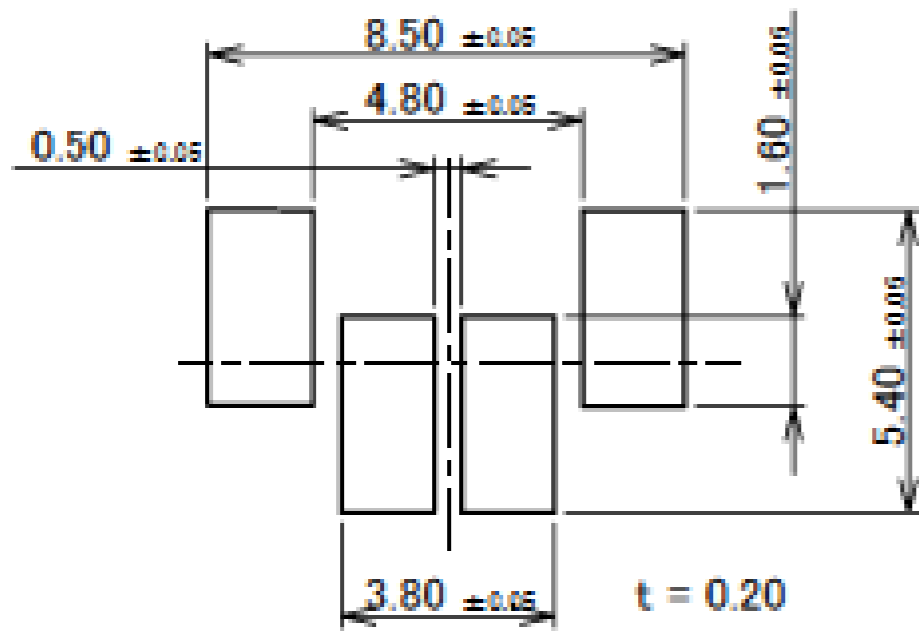
PART NO.
3539-0001-45T



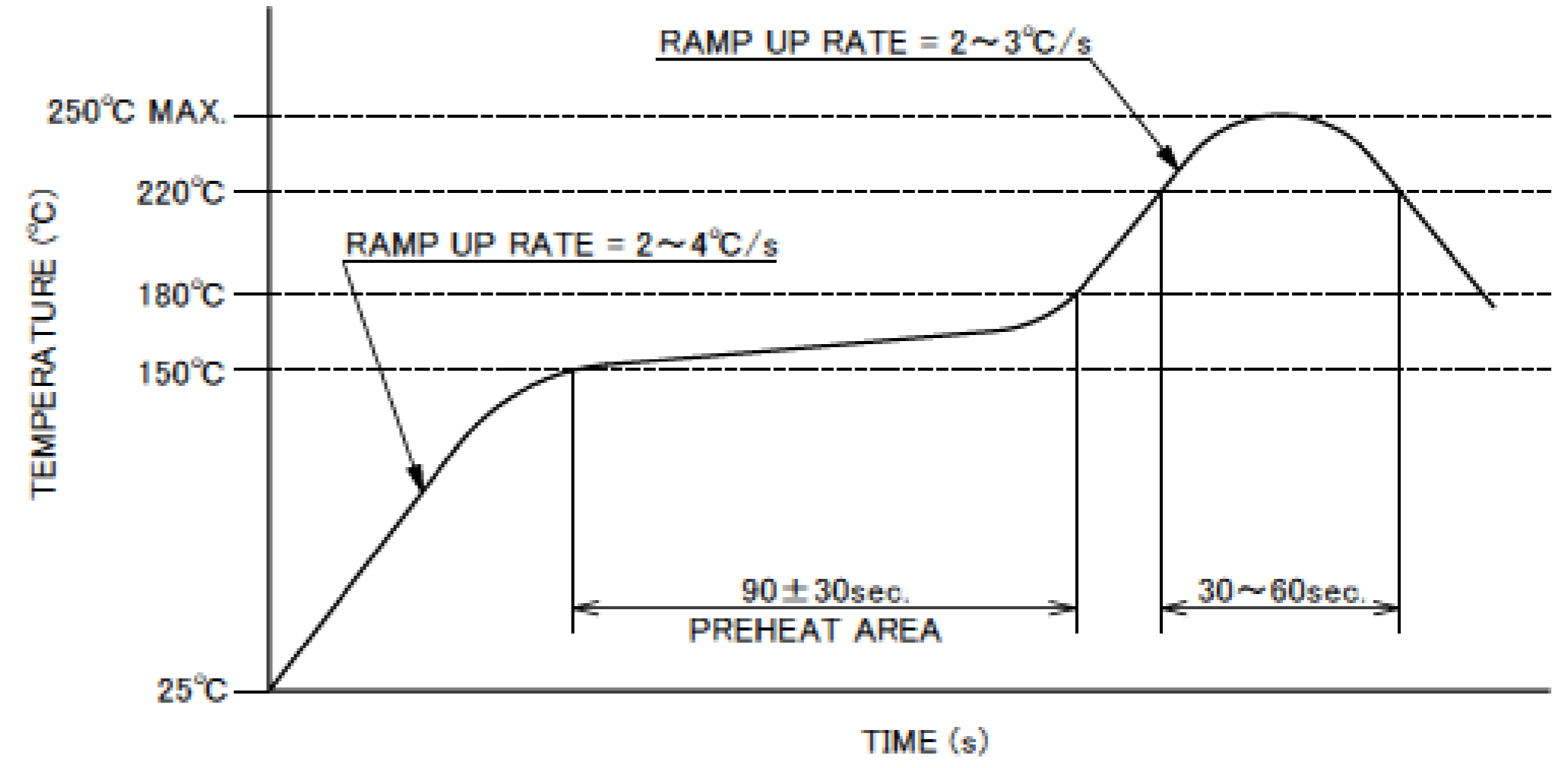
RECOMMENDED PATTERN LAYOUT



CONNECTOR ON RECOMMENDED PATTERN



RECOMMENDED METAL MASK LAYOUT



REFLOW TEMPERATURE PROFILE
SENJU METAL INDUSTRY CO., LTD. : M705-SHF(Sn96.5 Ag3.0 Cu0.5)

Rev.2

ITEMS	SPECIFICATION
APPLICABLE CONNECTOR PART No.	3532-0001-00T
RATING AMPERAGE	16A DC
TEMPERATURE RISE	△15.0°C MAX
COMPONENT TEMPERATURE (ENERGIZATION)	233~378K(-40°C~105°C)
OPERATING HUMIDITY	85% MAX.(NON-CONDENSING)
CONTACT RESISTANCE	INITIAL : 1.0 mohm MAX. / AFTER TEST : 1.0 mohm MAX.
DURABILITY	3 CYCLES
MATING FORCE/UNMATING FORCE	15.0 N MAX./15.0 N MAX.
COPLANARITY	0.10mm MAX.
PRODUCT SPECIFICATION	PRS-2616
TEST REPORT	TR-19063
PACKING STANDARD	PST-22010
APPEARANCE CRITERIA No.	QLS-A***

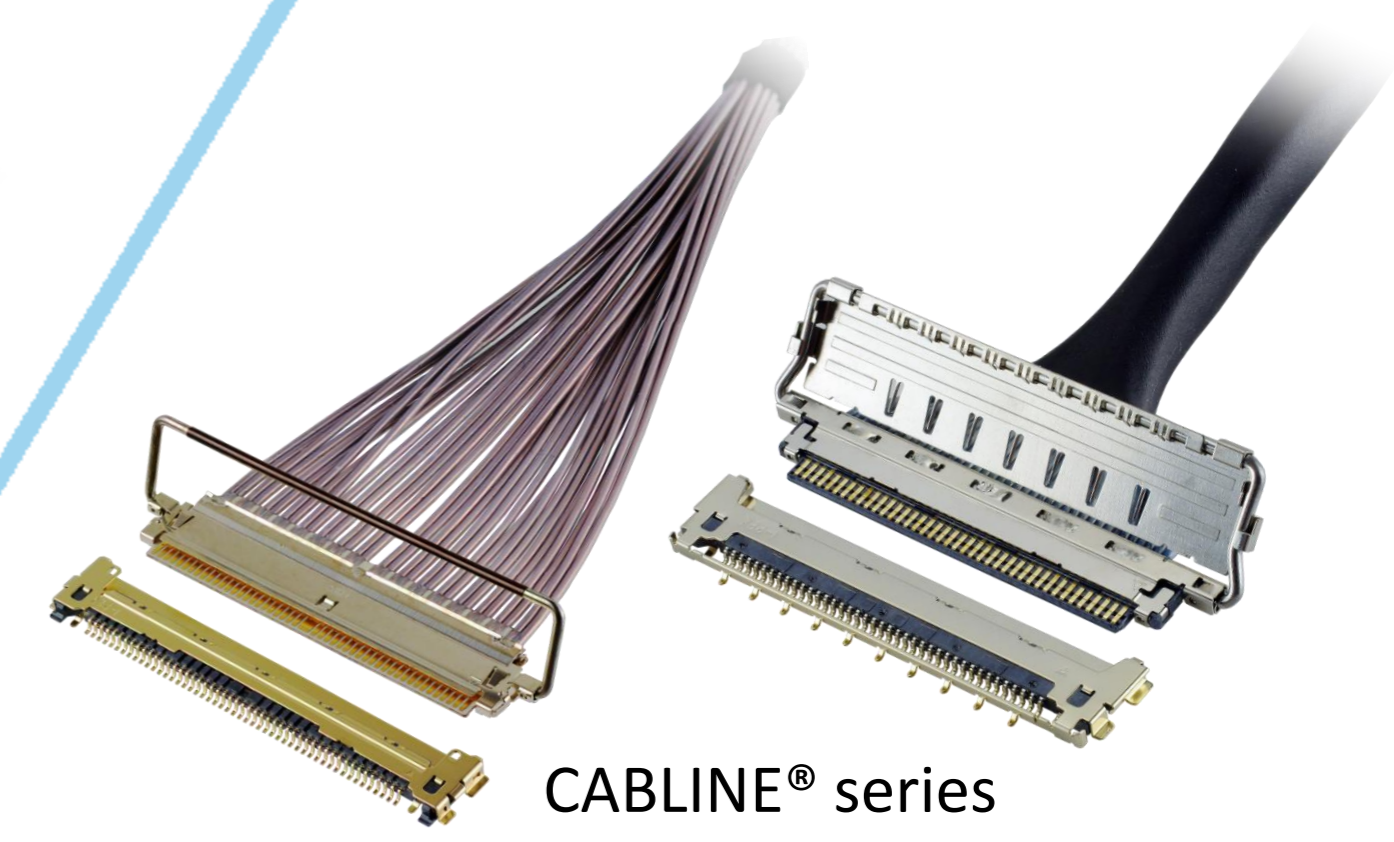
Custom Connectors Available

 RF Connector

MHF® series



Micro-coaxial/Twinax/
Discrete Wire Connector



CABLINE® series



Optical Module

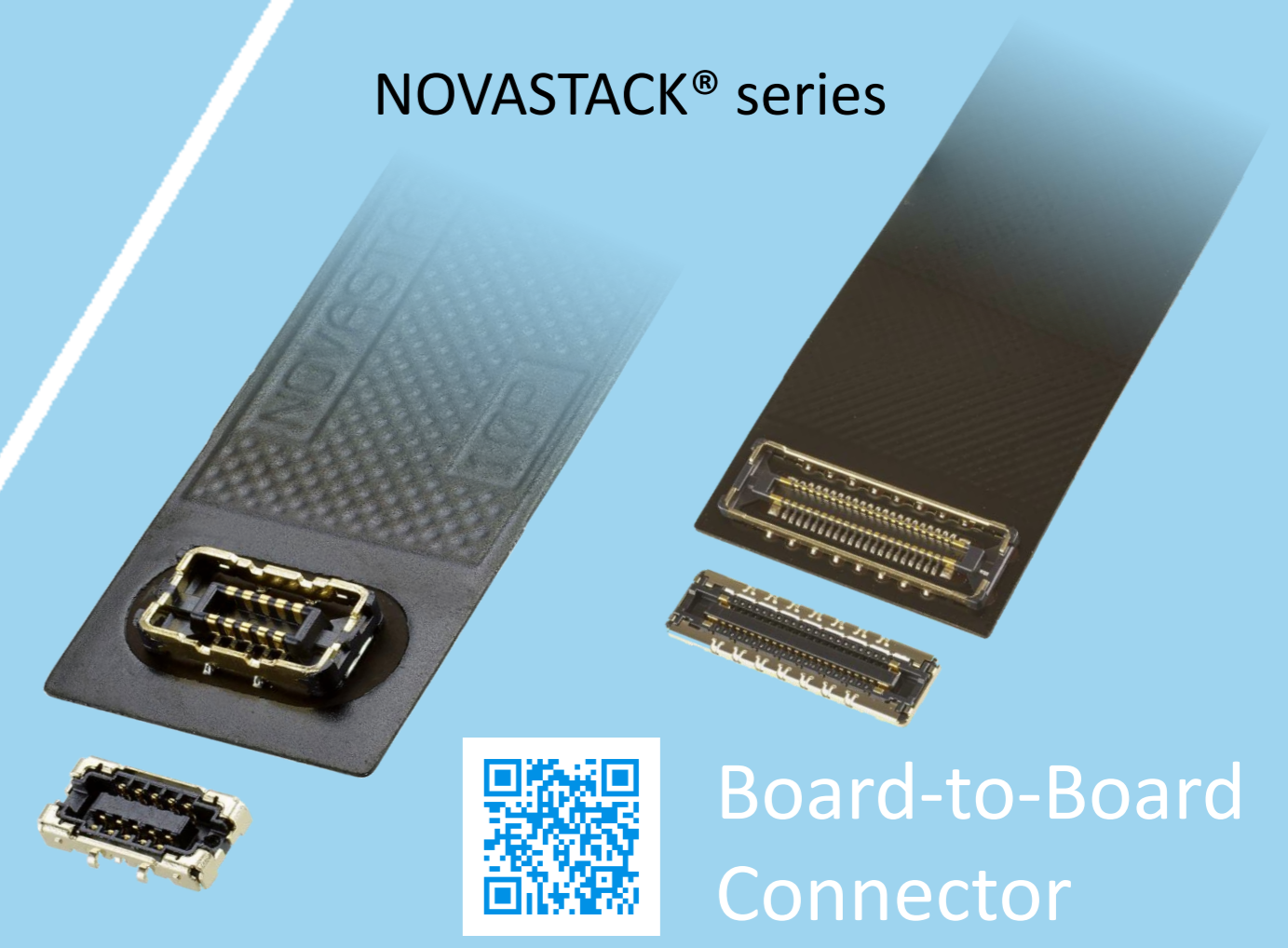
LIGHTPASS® series



NOVASTACK® series



Board-to-Board Connector



Power Connector/
Terminal

AP series

ISH® series



MINIFLEX® series

EVAFLEX® series



FPC FFC
Connector



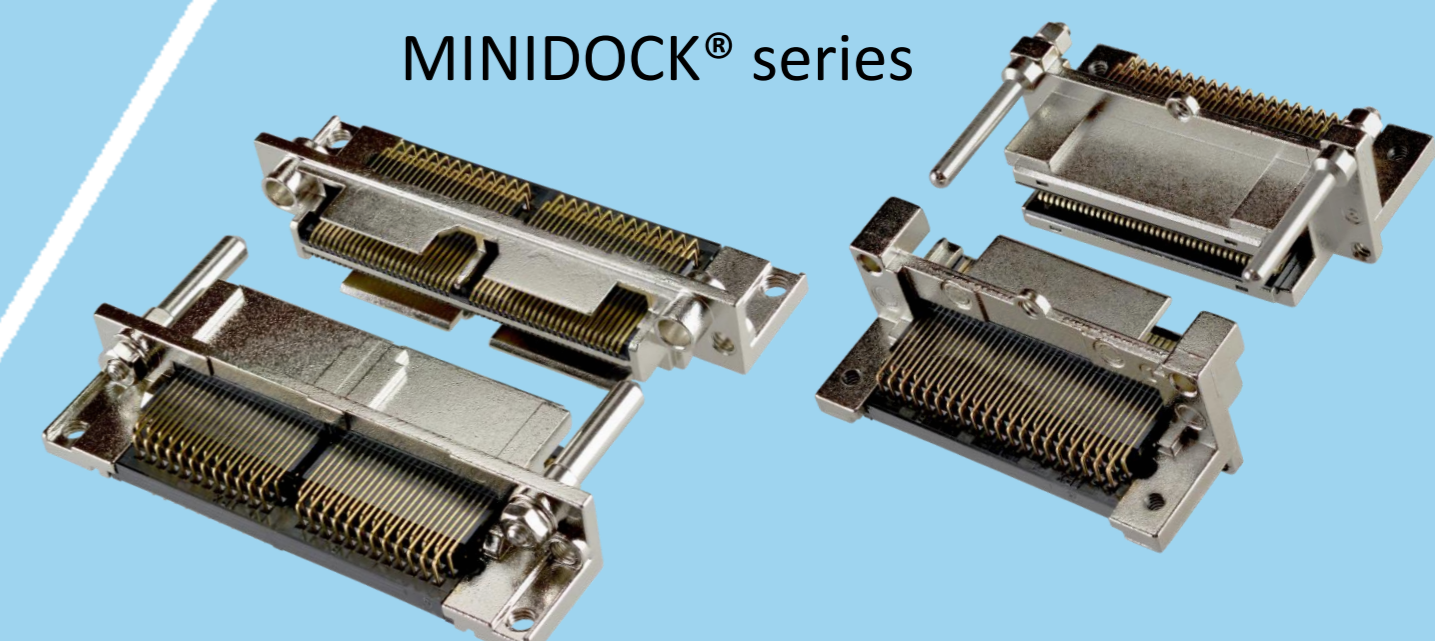
Inquiry



MINIDOCK® series



I/O
Connector



I-PEX, MHF, CABLINE, LIGHTPASS, NOVASTACK, ISH, IARPB, MINIFLEX, EVAFLEX, MINIDOCKS and ZenShield are registered trademarks of I-PEX Inc. Please note that the contents in the catalog might be changed without prior notification. I-PEX Inc. assumes no responsibility for any inaccuracies or obligation to update information on these documents. Please be sure to read and understand the latest "Precautions for Use" and "Instruction Manual" before you use our products. We shall not be responsible for any defects, damages or troubles in case you use our products without following the precautions for use. Please feel free to contact our sales representatives when you use our products for any applications that require very high reliability and safety, or that relate to human life (ex. nuclear power control, aerospace, transportation, medical equipment, safety equipment etc.).

Contact your sales representative or more detailed information.

www.i-pex.com



I-PEX

© I-PEX Inc. 2024
All rights reserved