

AP-10

大電流、高温対応基板対基板電源端子、パワーエレクトロニクス装置の小型化に貢献、高さ違い対応可能

Product Specifications:

Mating type	Vertical
Wiping Length (mm)	2.55 (Plug: 7.5)
	4.80 (Plug 14.5)
Size (mm)	Height (mm)
	13.6 ~ 16.1 (Plug: 7.5)
	16.1 ~ 23.1 (Plug: 14.5)
	Width (mm)
Depth	7.6 (Rece)
	3.4 (Plug: 7.5)
	5.2 (Plug: 14.5)
	3.4 +/- 0.2 (Rece)
Depth	6.0 +/- 0.1 (Plug: 7.5)
	7.6 +/- 0.1 (Plug: 14.5)

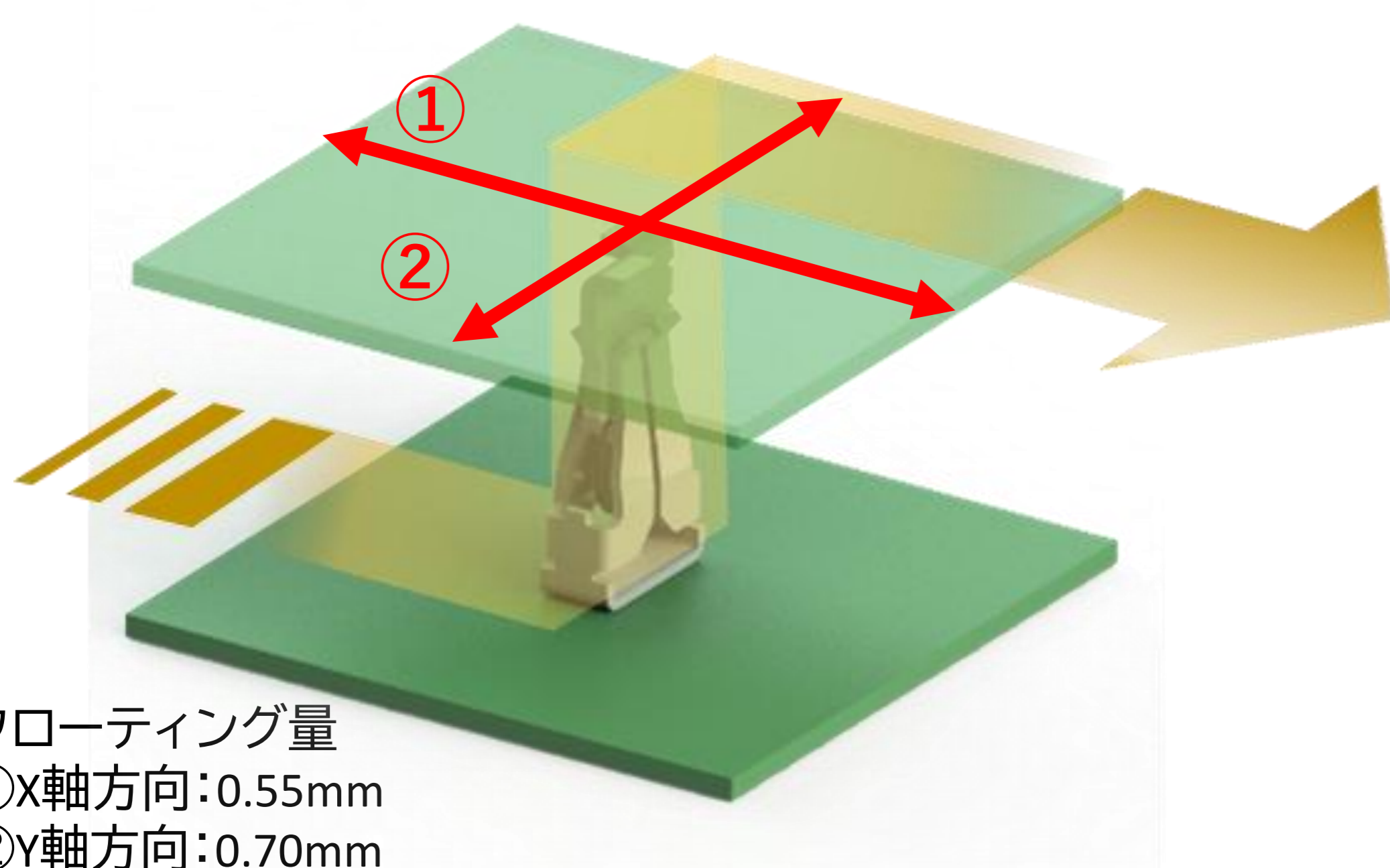
Product Specifications:

Operating Temperature	-40 - 105°C
Mating force	15N Max.
Contact resistance	1.0 mΩ Max.

*記載のない極数の対応状況についてはお問い合わせください。

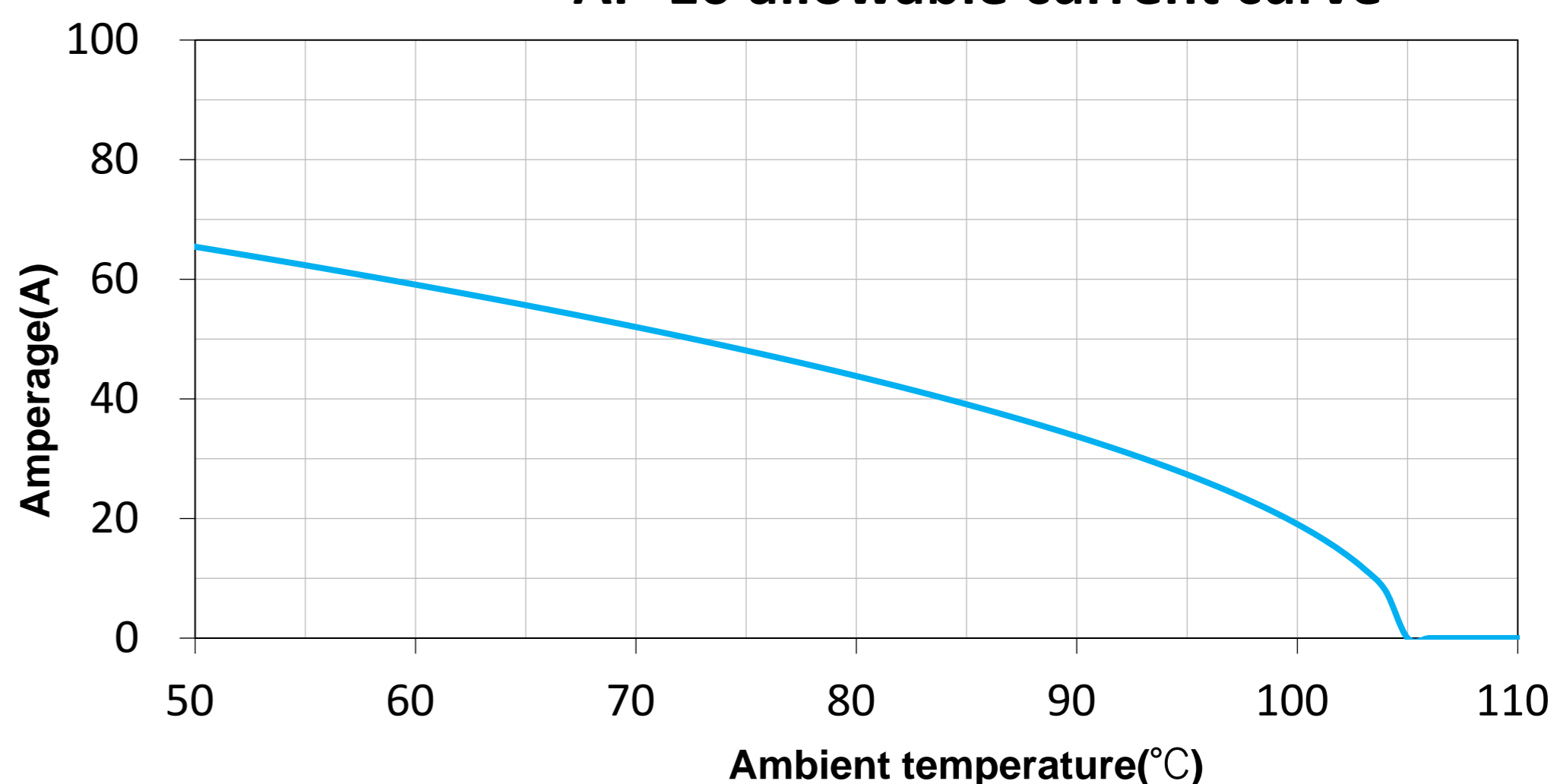


▶ 大電流、高温対応、基板間接続電源端子



フローティング量
①X軸方向:0.55mm
②Y軸方向:0.70mm

AP-10 allowable current curve

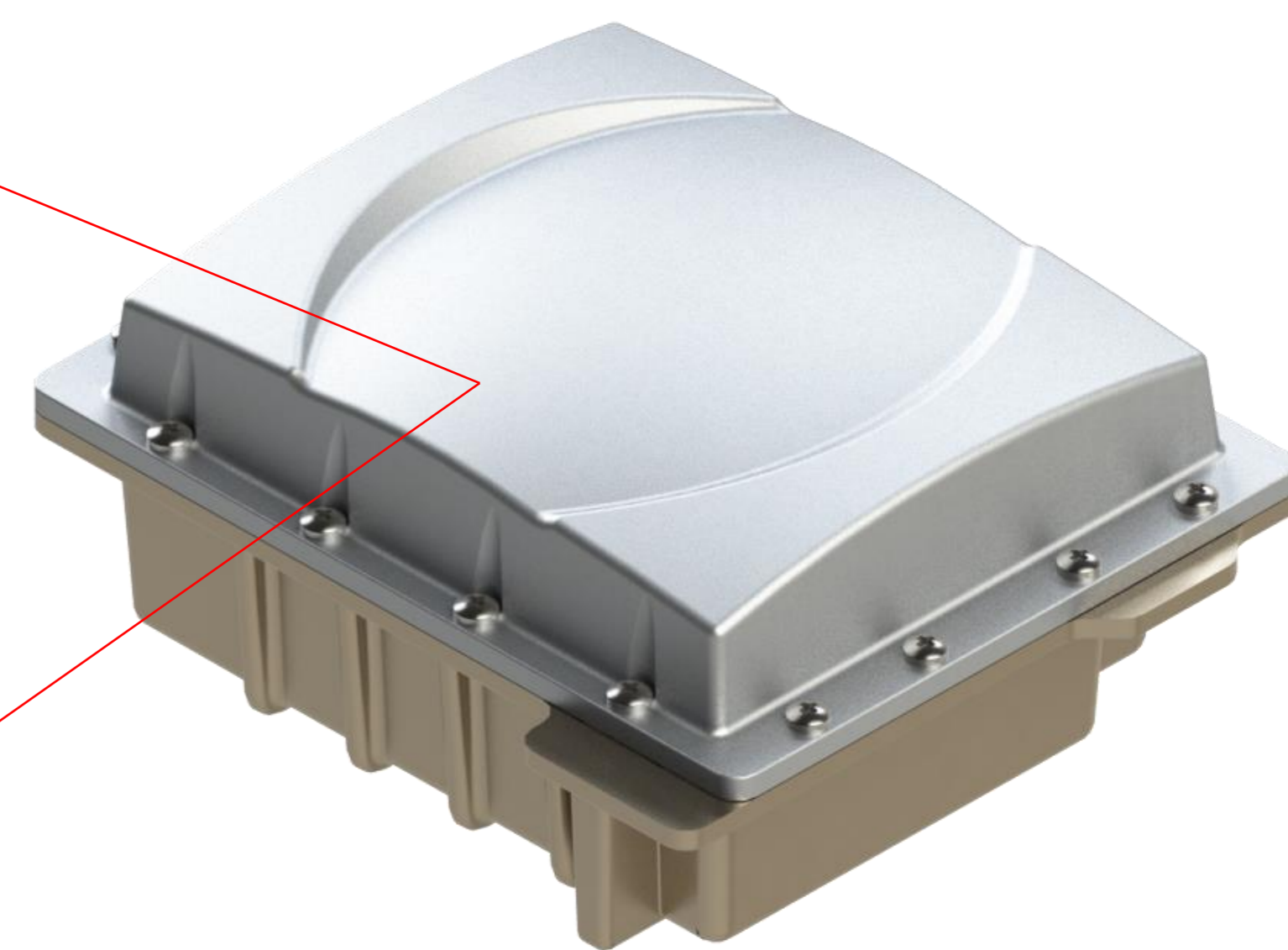


*上記結果は弊社が定める試験条件での実測結果となります
*使用環境に依存しますので、詳細はお問い合わせください

▶ 小型化による基板の省スペース設計に寄与

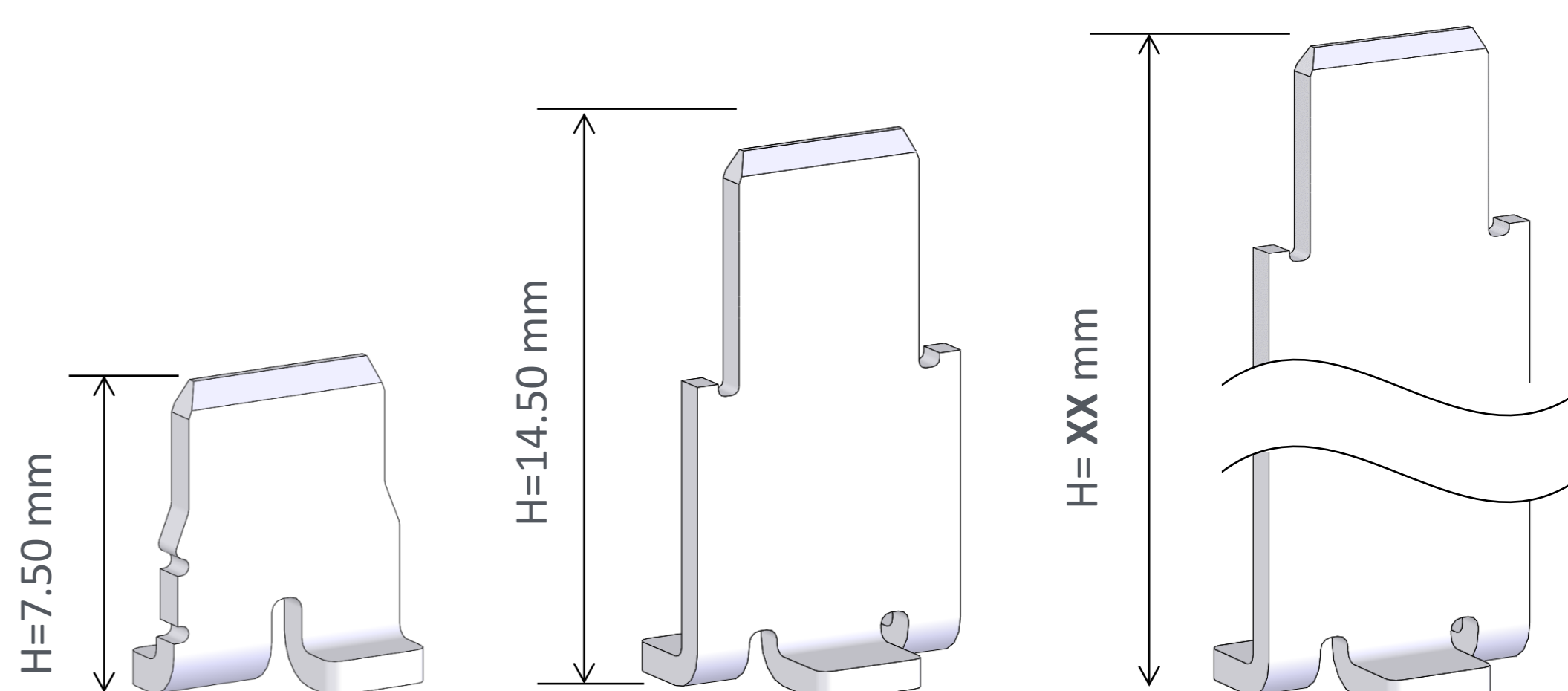
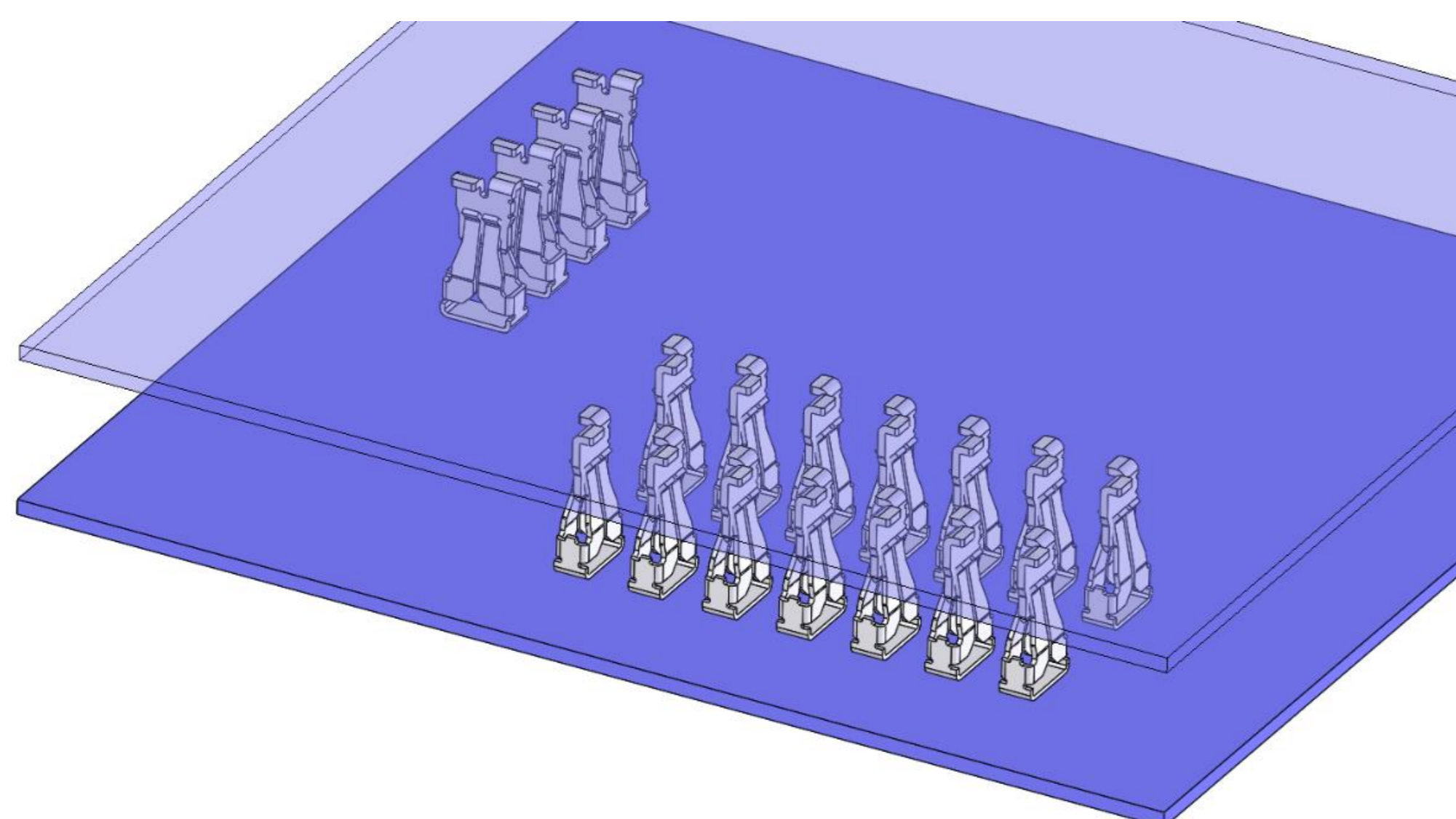
従来の接続方式との比較

項目	金属バスバー	基板実装コネクタ
概略図		
占有面積	X	O
作業性	△	O



DC-DCコンバーターやインバーターといった
パワーエレクトロニクス装置に最適

▶ スペースに合わせた設計対応 (カスタム)



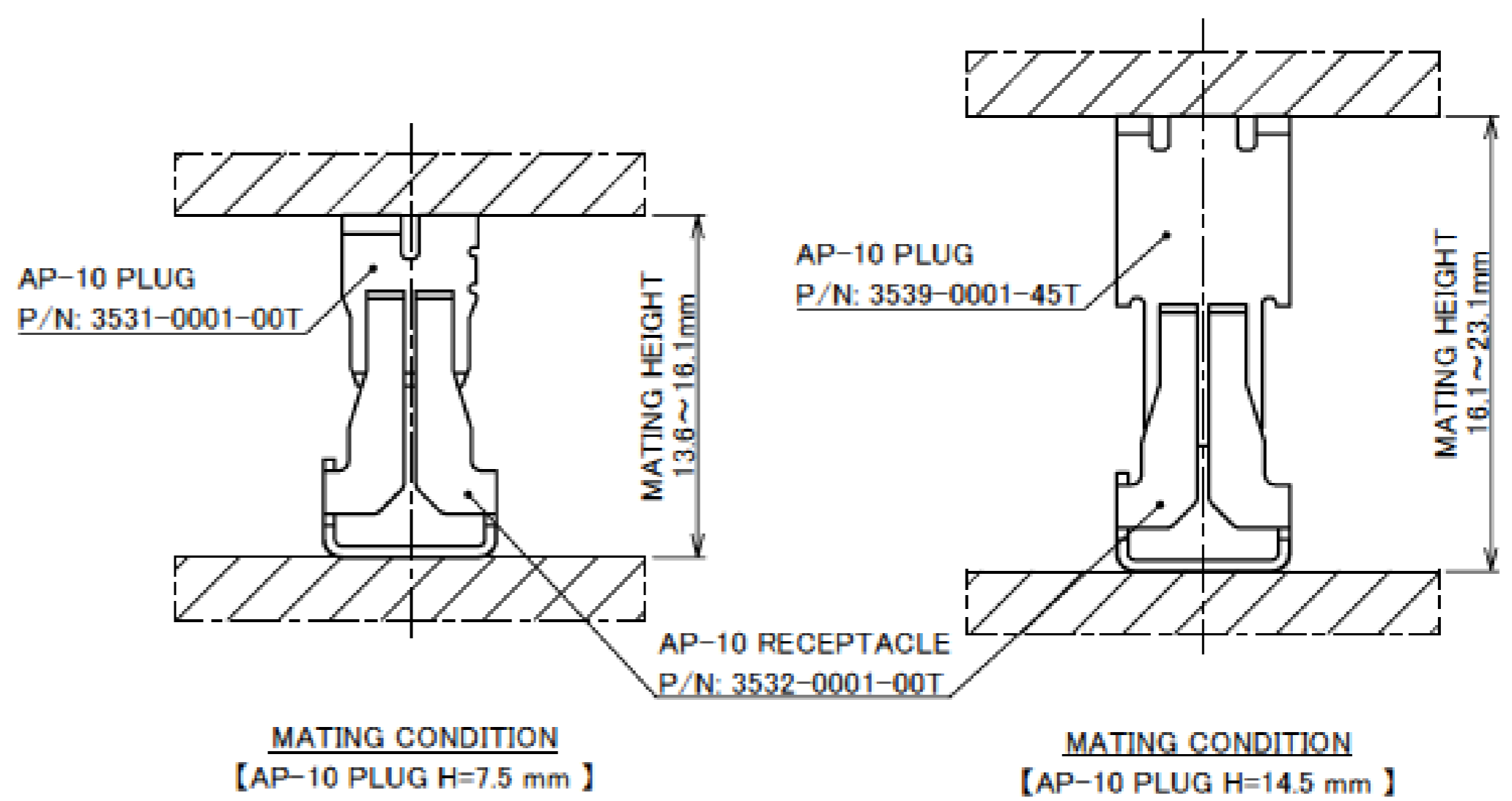
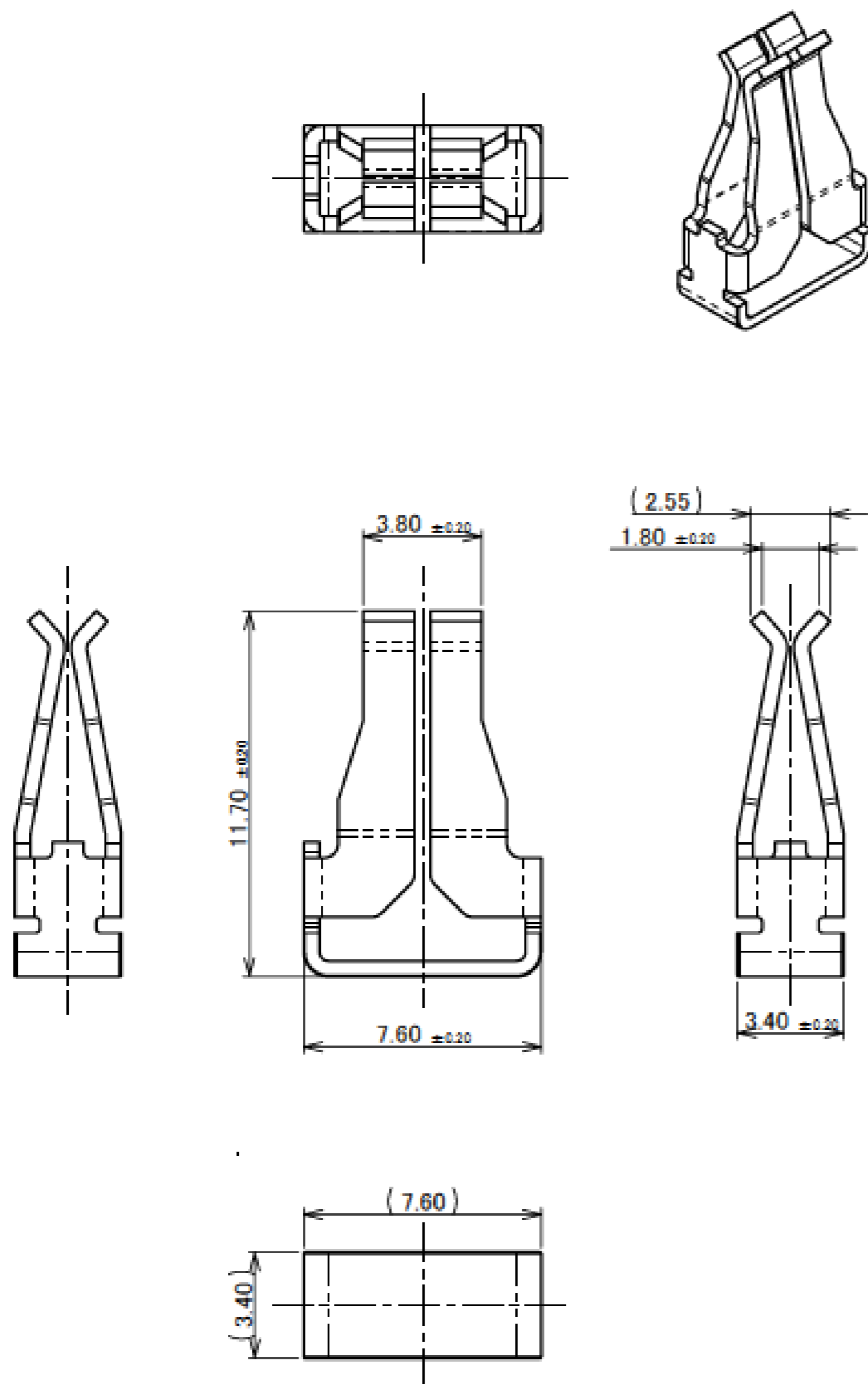
Component Parts Details

AP Series Receptacle

Recommended P/N	3532-0001-00T
PART NO.	
	3532-0001-00T



IATF 16949 Cetified [Planned]

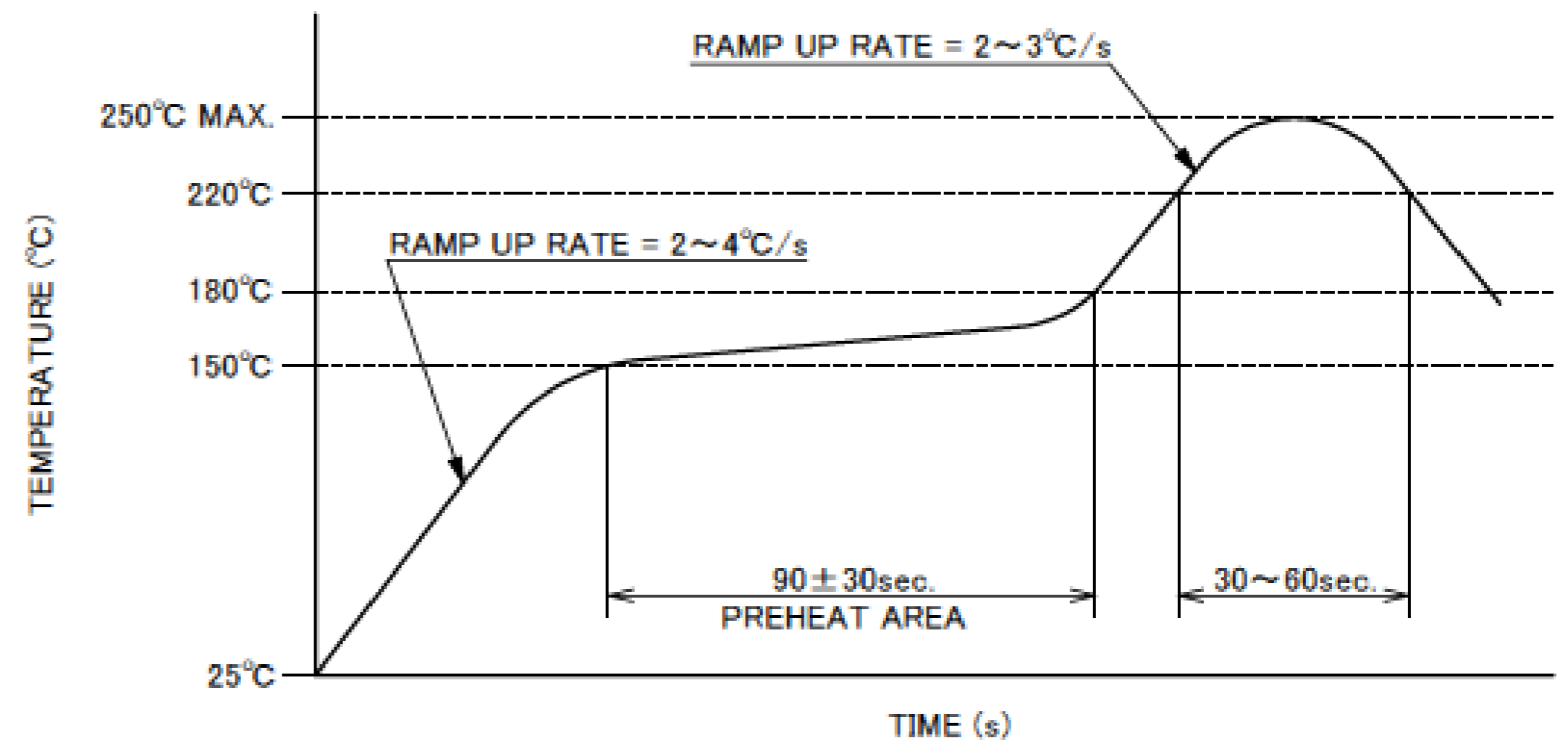
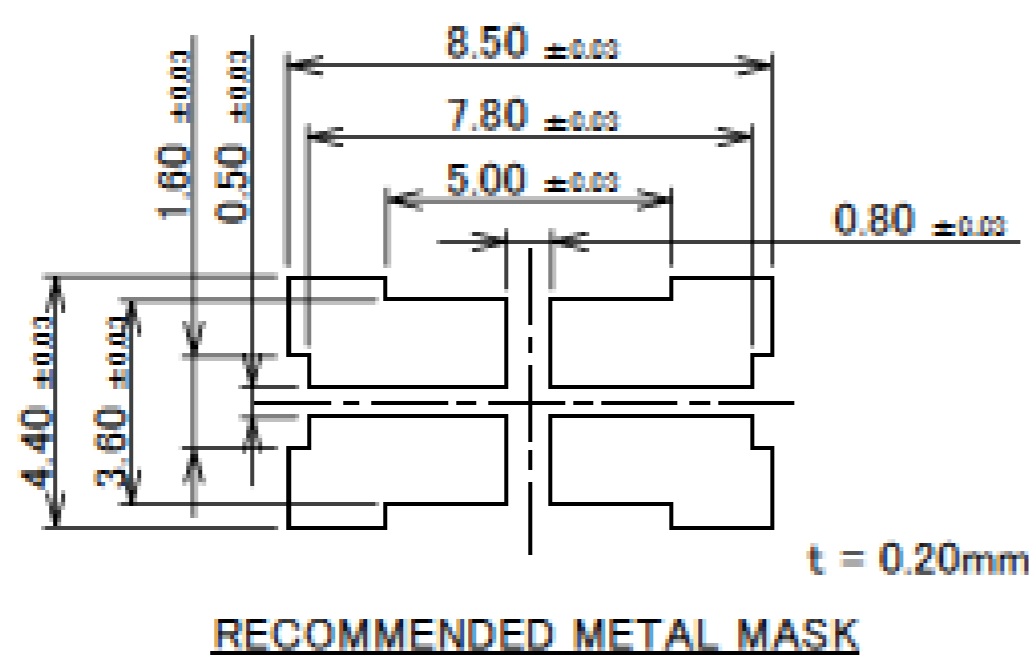
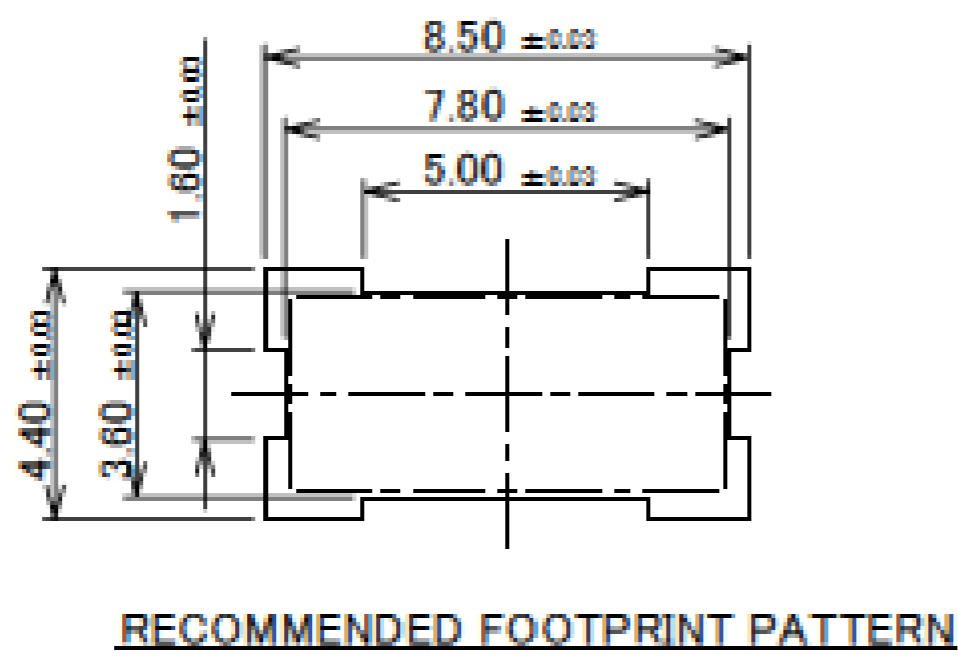


NOTES.
 1. APPLICABLE CONNECTOR
 AP-10 PLUG H=7.5 mm (P/N: 3531-0001-00T)
 AP-10 PLUG H=14.5 mm (P/N: 3539-0001-45T)

NO.	DESCRIPTION	MATERIAL	FINISH , REMARKS
1	RECEPTACLE	COPPER ALLOY	Sn 1.00~4.50 μm OVER Ni 1.00~4.50 μm

AP Series Receptacle

PART NO.
3532-0001-00T



Rev.5

ITEMS	SPECIFICATION
APPLICABLE CONNECTOR PART No.	3531-0001-00T 3539-0001-45T
RATING AMPERAGE	16A DC
TEMPERATURE RISE	△15.0°C Max.
COMPONENT TEMPERATURE(ENERGIZATION)	233~378K(-40°C~+105°C)
OPERATING HUMIDITY	85% MAX.(NON-CONDENSING)
CONTACT RESISTANCE	INITIAL : 1.0 mohm MAX. / AFTER TEST : 1.0 mohm MAX.
DURABILITY	3 CYCLES
MATING FORCE	15.0 N MAX.
COPLANARITY	0.10mm MAX.
PRODUCT SPECIFICATION	PRS-2616
TEST REPORT	TR-19063
PACKING STANDARD	PST-17121
APPEARANCE CRITERIA No.	QLS-A***

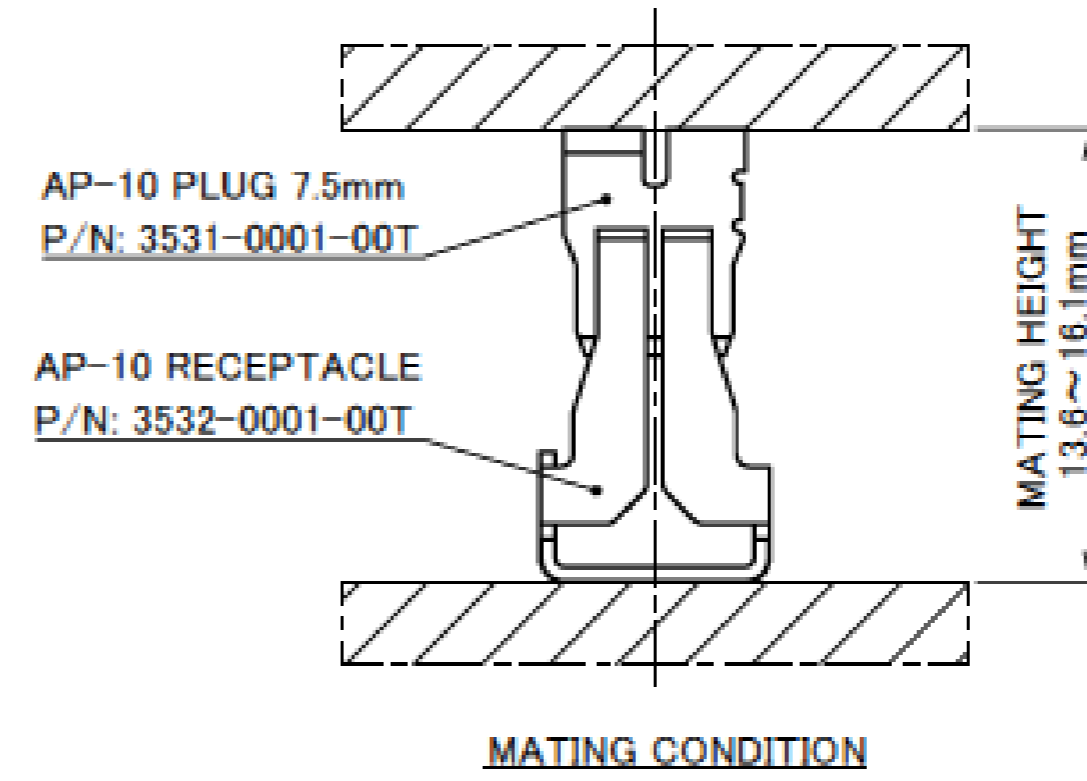
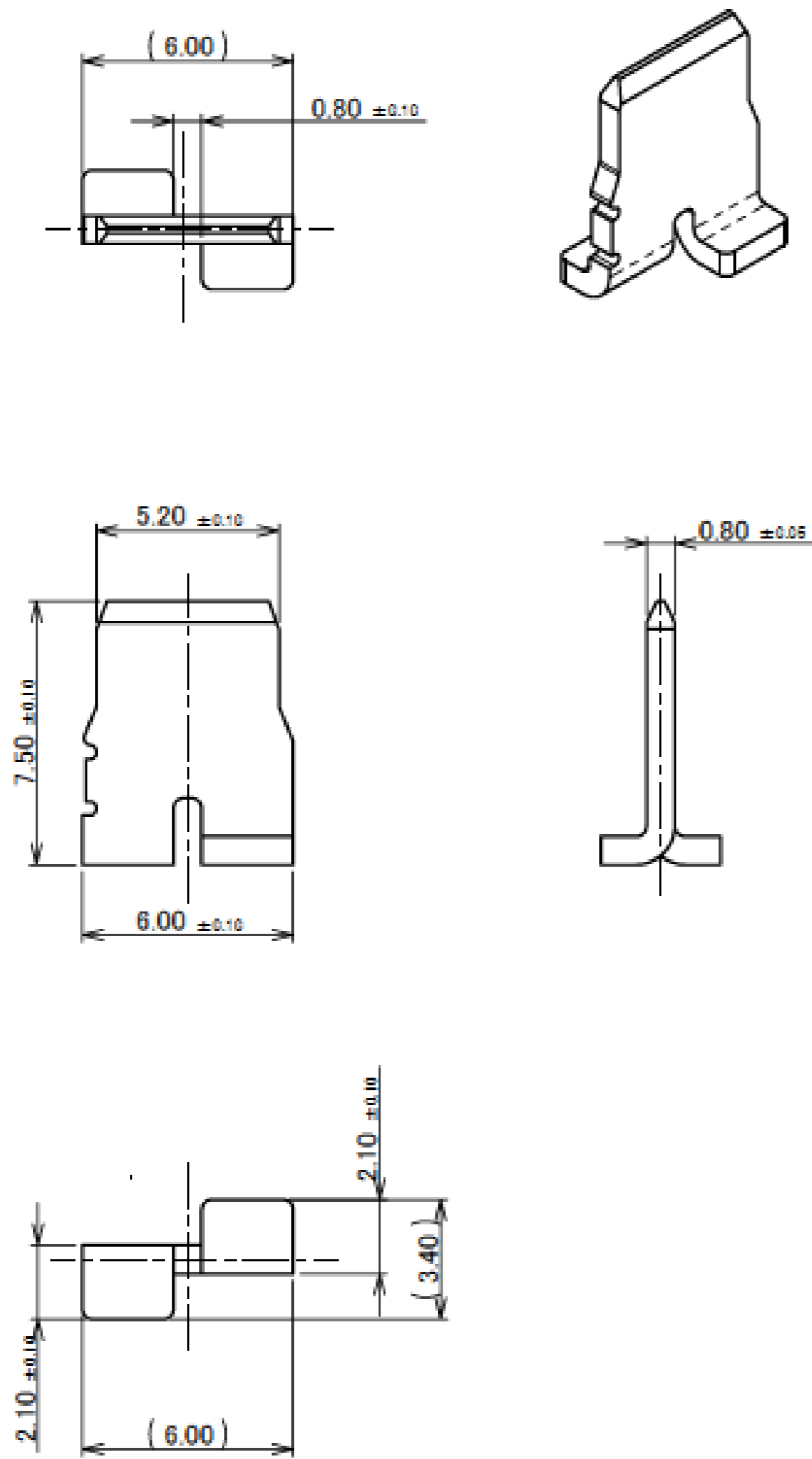
Rev.5

AP Series Plug

Recommended P/N	3531-0001-00T
PART NO.	
3531-0001-00T	



IATF 16949 Cetified [Planned]

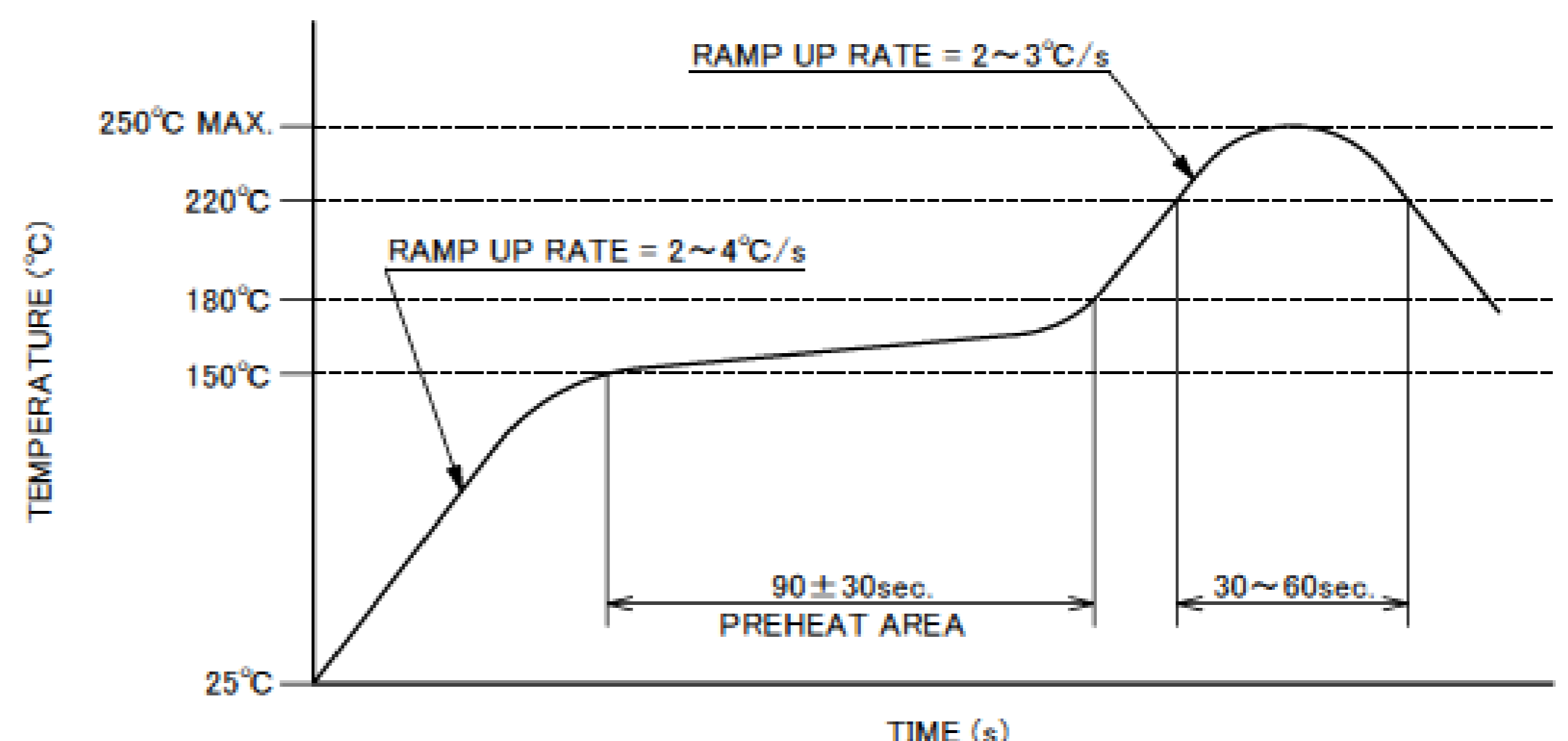
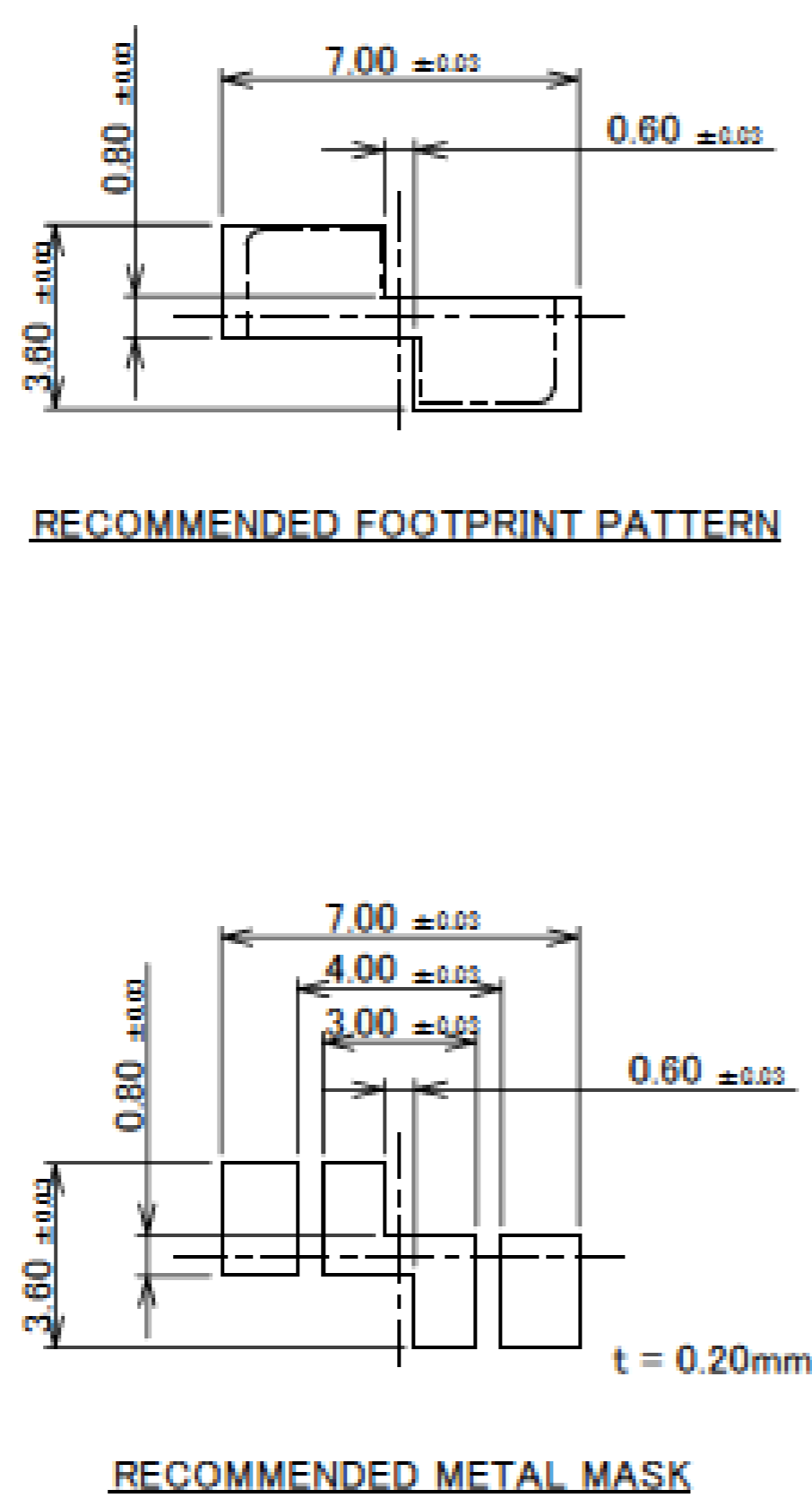


NOTES.
1. APPLICABLE CONNECTOR
AP-10 RECEPTACLE (P/N: 3532-0001-00T)

NO.	DESCRIPTION	MATERIAL	FINISH, REMARKS
1	PLUG	BRASS	Sn 1.00 μm ~ 4.50 μm OVER Ni 1.00 μm ~ 4.50 μm

Rev.5

PART NO.
3531-0001-00T



REFLOW TEMPERATURE PROFILE
SENJU METAL INDUSTRY CO., LTD. : M705-SHF(Sn96.5 Ag3.0 Cu0.5)

Rev.5

AP Series Plug

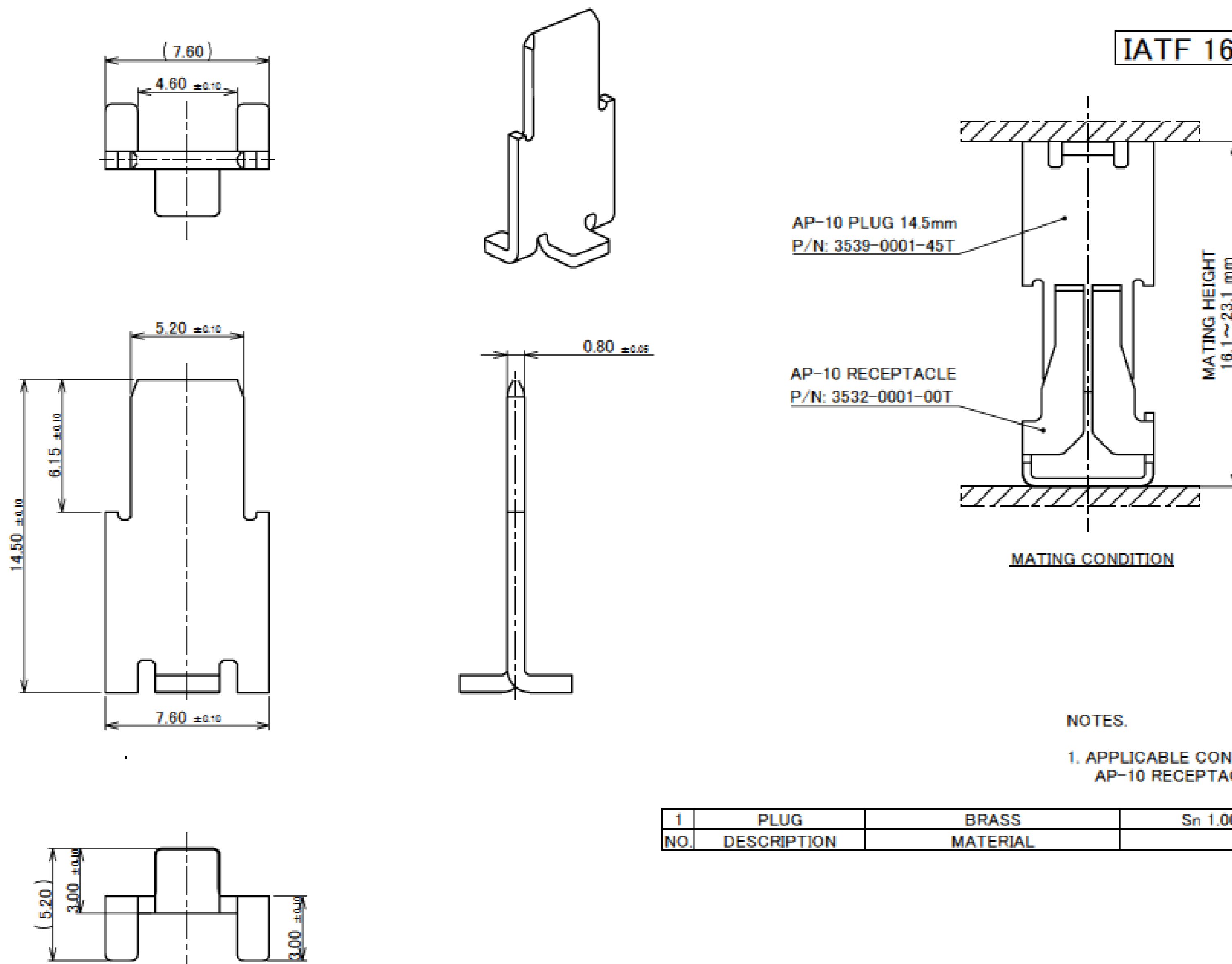
ITEMS	SPECIFICATION
APPLICABLE CONNECTOR PART No.	3532-0001-00T
RATING AMPERAGE	16A DC
TEMPERATURE RISE	Δ15.0°C MAX.
COMPONENT TEMPERATURE(ENERGIZATION)	233~378K(-40°C~+105°C)
OPERATING HUMIDITY	85% MAX.(NON-CONDENSING)
CONTACT RESISTANCE	INITIAL : 1.0 mohm MAX. / AFTER TEST : 1.0 mohm MAX.
DURABILITY	3 CYCLES
MATING FORCE/UNMATING FORCE	15.0 N MAX./15.0 N MAX.
COPLANARITY	0.10mm MAX.
PRODUCT SPECIFICATION	PRS-2616
TEST REPORT	TR-19063
PACKING STANDARD	PST-17120
APPEARANCE CRITERIA No.	QLS-A***

Rev.5

Recommended P/N	3539-0001-45T
PART NO	
3539-0001-45T	



IATF 16949 Cetified [Planned]



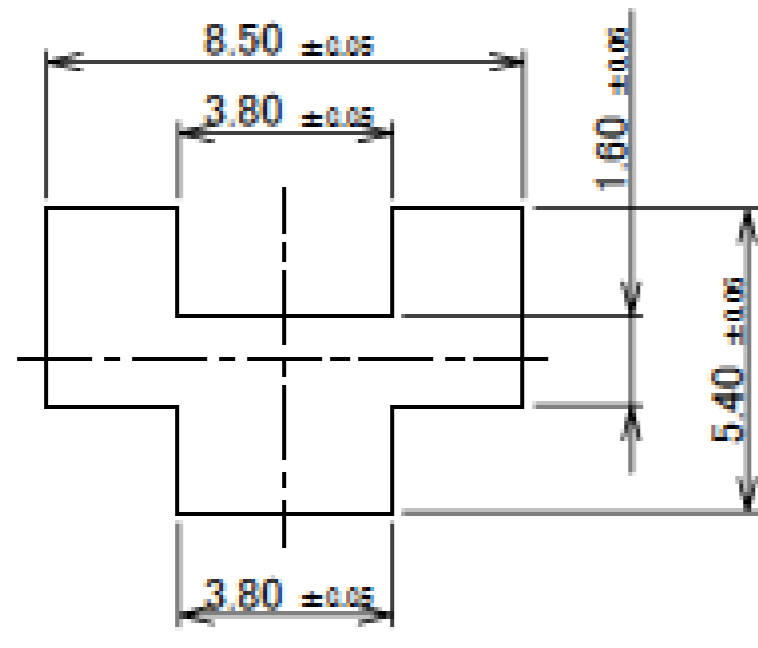
- NOTES.
1. APPLICABLE CONNECTOR
AP-10 RECEPTACLE (P/N: 3532-0001-00T)

NO.	DESCRIPTION	MATERIAL	REMARKS, FINISH
1	PLUG	BRASS	Sn 1.00~4.50 μm OVER Ni 1.00~4.50 μm

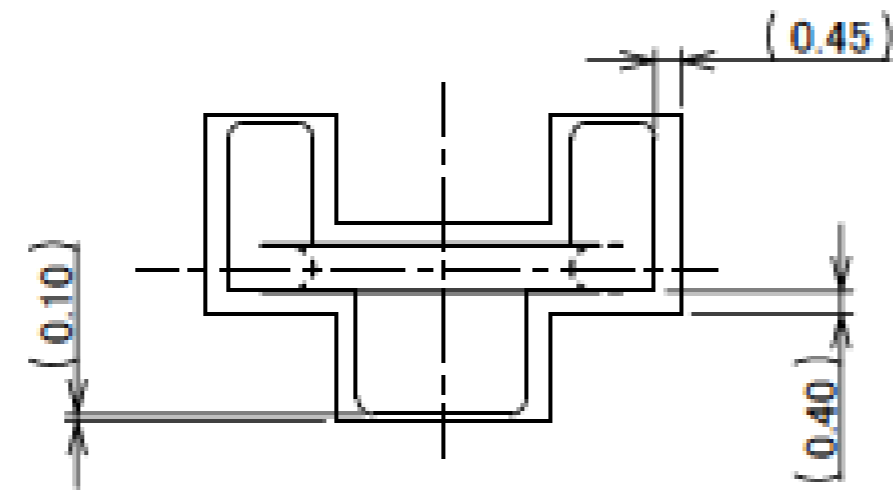
Rev.2

AP Series Plug

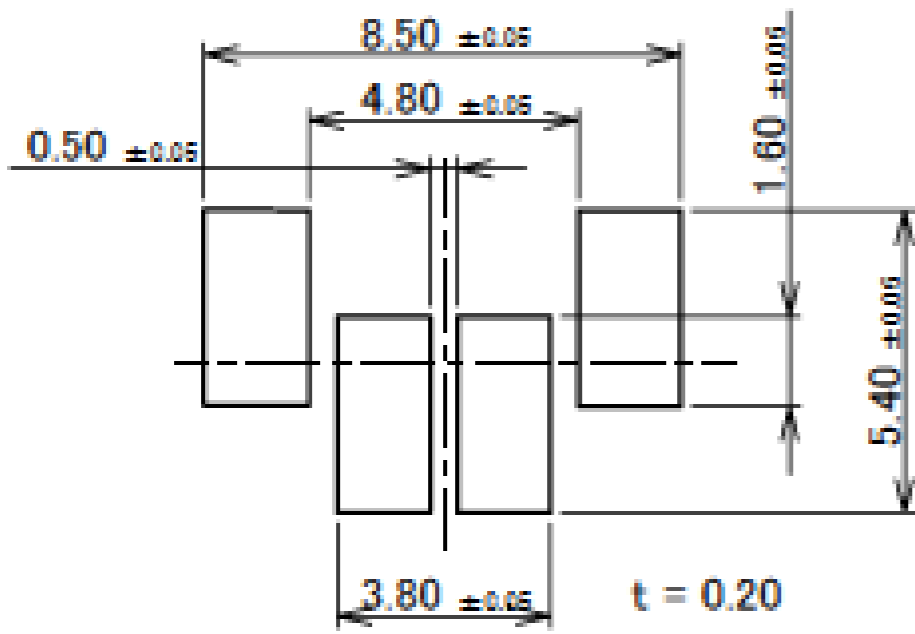
PART NO.
3539-0001-45T



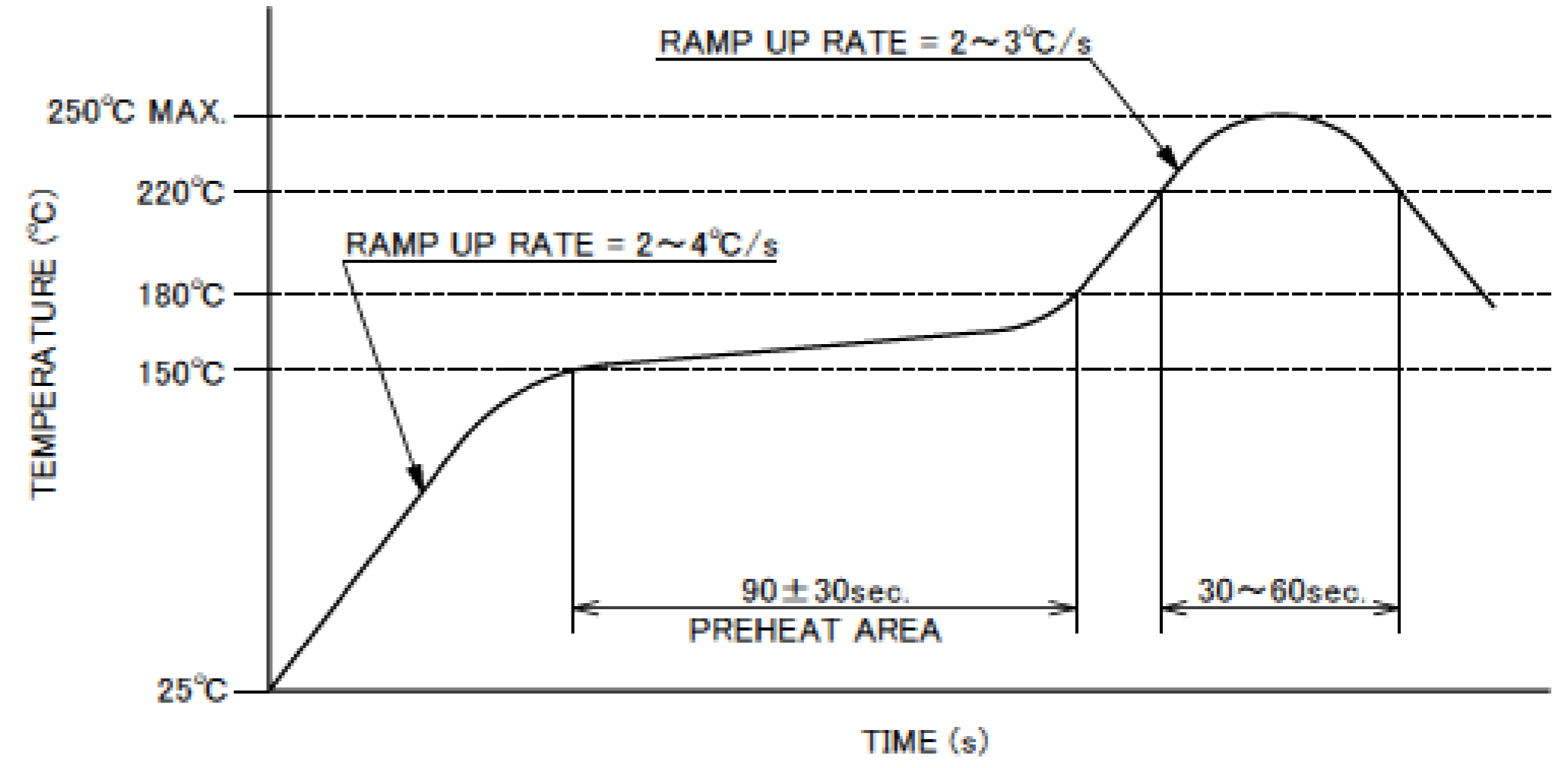
RECOMMENDED PATTERN LAYOUT



CONNECTOR ON RECOMMENDED PATTERN



RECOMMENDED METAL MASK LAYOUT



REFLOW TEMPERATURE PROFILE
SENJU METAL INDUSTRY CO., LTD. : M705-SHF(Sn96.5 Ag3.0 Cu0.5)

Rev.2


ITEMS	SPECIFICATION
APPLICABLE CONNECTOR PART No.	3532-0001-00T
RATING AMPERAGE	16A DC
TEMPERATURE RISE	△15.0°C MAX
COMPONENT TEMPERATURE (ENERGIZATION)	233~378K(-40°C~105°C)
OPERATING HUMIDITY	85% MAX.(NON-CONDENSING)
CONTACT RESISTANCE	INITIAL : 1.0 mohm MAX. / AFTER TEST : 1.0 mohm MAX.
DURABILITY	3 CYCLES
MATING FORCE/UNMATING FORCE	15.0 N MAX./15.0 N MAX.
COPLANARITY	0.10mm MAX.
PRODUCT SPECIFICATION	PRS-2616
TEST REPORT	TR-19063
PACKING STANDARD	PST-22010
APPEARANCE CRITERIA No.	QLS-A***

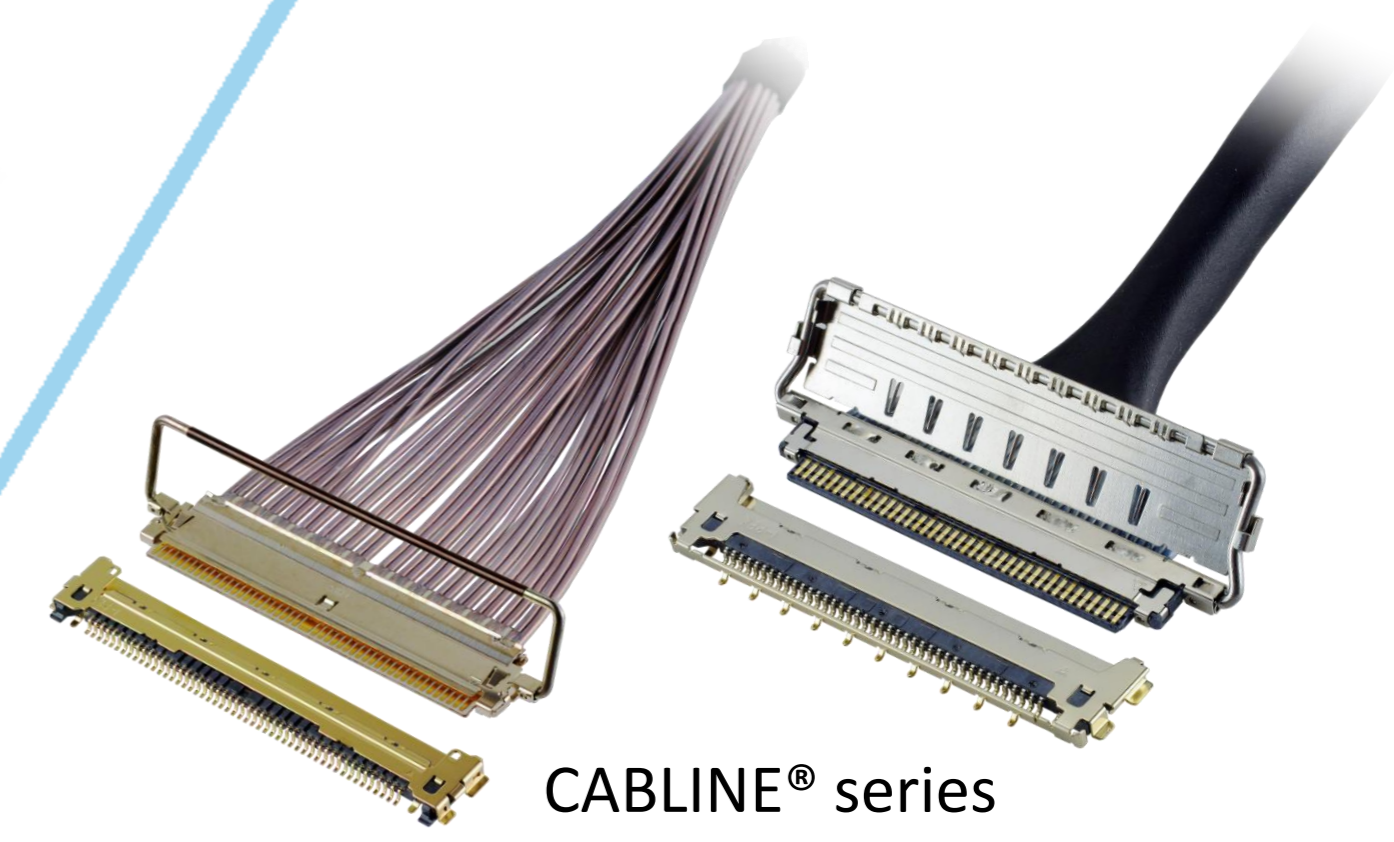
Custom Connectors Available

 RF Connector

MHF® series



 CABLINE® series
Micro-coaxial/Twinax/
Discrete Wire Connector



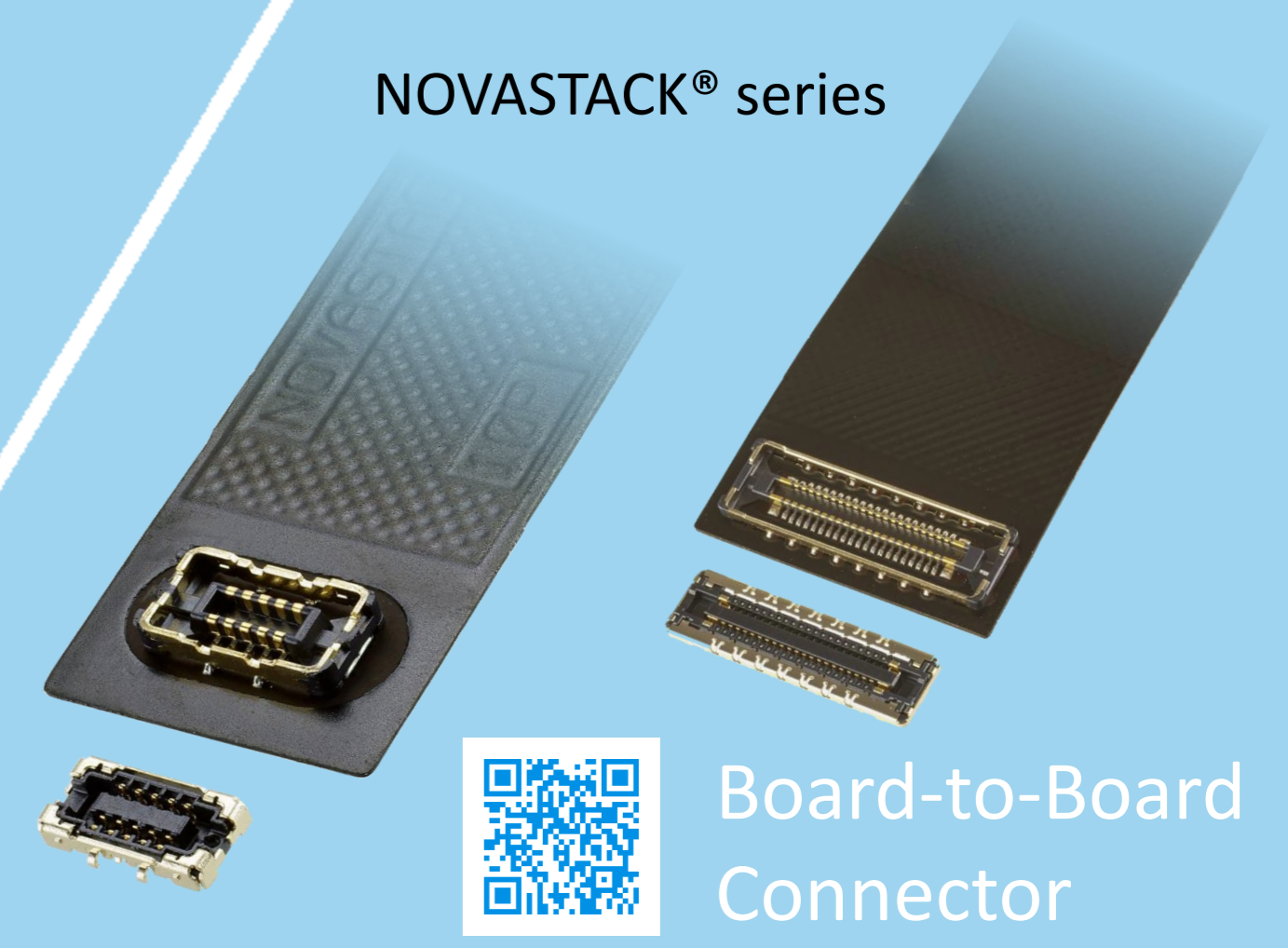
 Optical Module

LIGHTPASS® series



NOVASTACK® series

 Board-to-Board Connector



 Power Connector/
Terminal

AP series

ISH® series



MINIFLEX® series

EVAFLEX® series

 FPC FFC
Connector

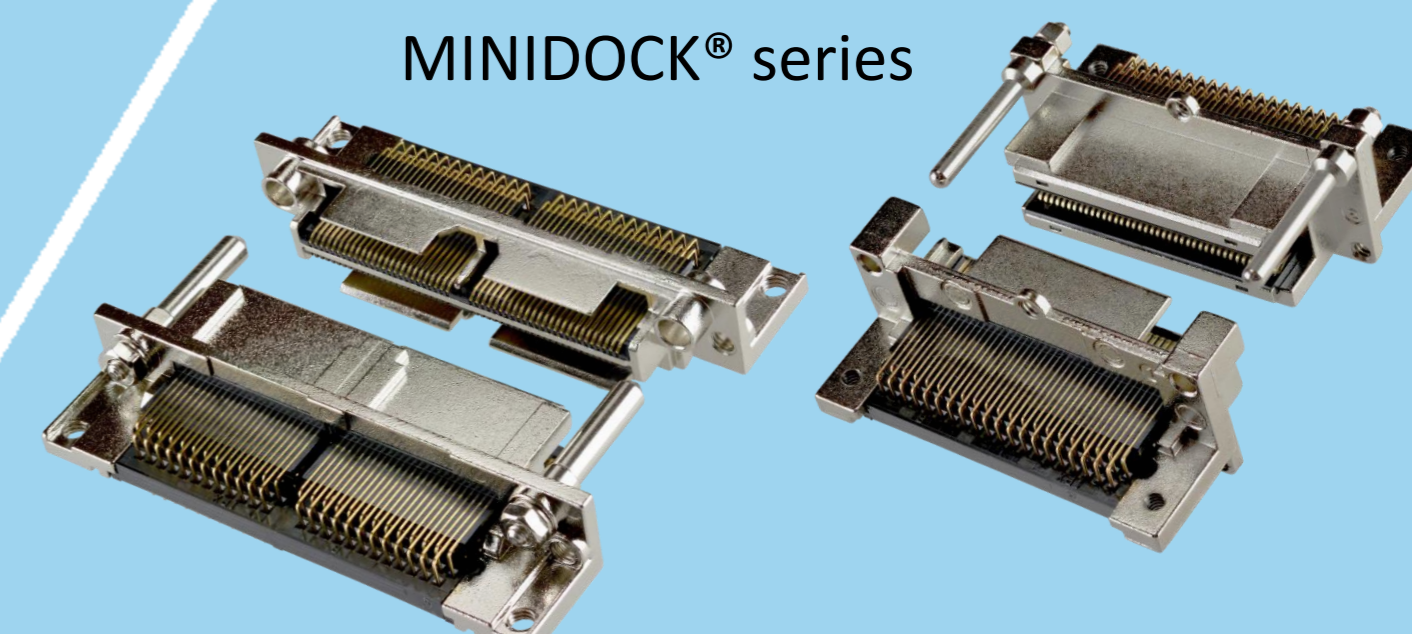


Inquiry



MINIDOCK® series

 I/O
Connector



I-PEX, MHF, CABLINE, LIGHTPASS, NOVASTACK, ISH, IARPB, MINIFLEX, EVAFLEX, MINIDOCKS and ZenShield are registered trademarks of I-PEX Inc. Please note that the contents in the catalog might be changed without prior notification. I-PEX Inc. assumes no responsibility for any inaccuracies or obligation to update information on these documents. Please be sure to read and understand the latest "Precautions for Use" and "Instruction Manual" before you use our products. We shall not be responsible for any defects, damages or troubles in case you use our products without following the precautions for use. Please feel free to contact our sales representatives when you use our products for any applications that require very high reliability and safety, or that relate to human life (ex. nuclear power control, aerospace, transportation, medical equipment, safety equipment etc.).

Contact your sales representative or more detailed information.

www.i-pex.com



I-PEX

© I-PEX Inc. 2024
All rights reserved